

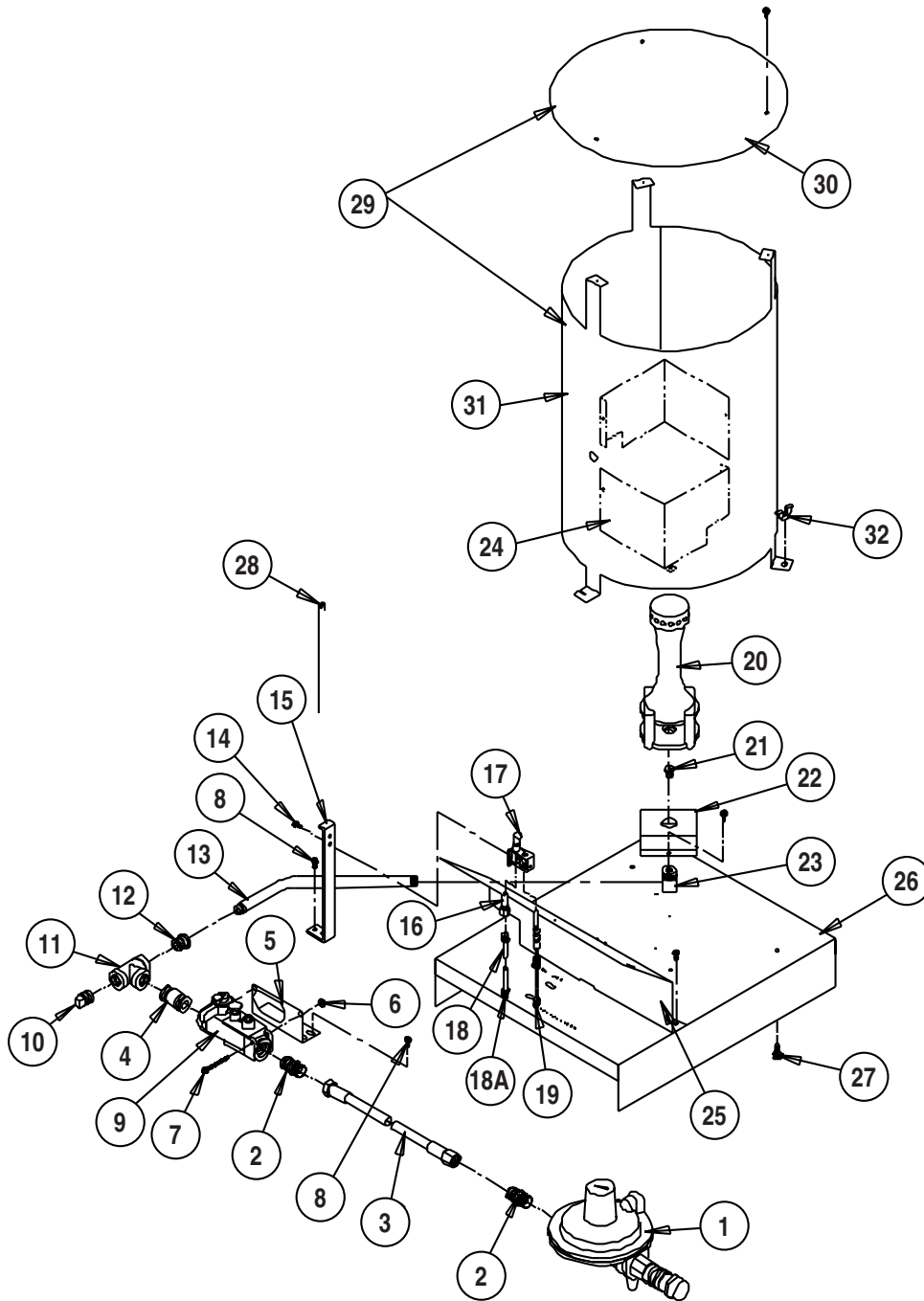


***WORKMAN &
NORSEMAN***

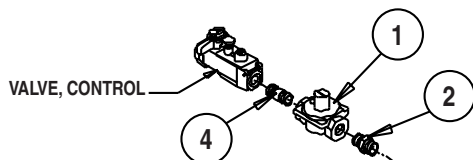
Convection Heaters

Convection Heaters

MODELS 380 & 382



INSTALLATION OF GAS TRAIN ASSEMBLY FOR NATURAL GAS ONLY



Convection Heaters

PARTS IDENTIFICATION

Item	Description		Model	
			380	382
1	Regulator	L.P. Gas	550-06772	--
		Natural Gas	--	550-01326
2	Adapter, Hose, 3/8 NPT x 1/2 NPS		-----	310-03536-----
3	Hose, 1/2 In. x 10 Ft.		-----	400-20243-----
4	Nipple		--	130-02421
5	Bracket		-----	220-06381-----
6	Nut		-----	130-01310-----
7	Screw		-----	130-07288-----
8	Screw		-----	130-01309-----
9	Valve, Pilot Safety Control		-----	130-01540-----
10	Plug		-----	130-01542-----
11	Tee		-----	130-03119-----
12	Bushing		-----	130-01544-----
13	Pipe, Control to Burner		-----	410-01535-----
14	Screw		-----	130-03421-----
15	Bracket, Pilot Light		-----	230-06387-----
16	Orifice, Pilot	L.P. Gas	130-02689	--
		Natural Gas	--	130-02740
17	Pilot Assembly w/ Orifice	L.P. Gas	130-02729	--
		Natural Gas	--	130-02741
18	Tube, Tinned, Pilot w/ Nuts		-----	550-03034-----
18A	Nut Compression		-----	130-01598-----
19	Thermocouple		-----	120-03497-----
20	Burner		-----	320-01536-----
21	Orifice, Burner	L.P. Gas	310-06237	--
		Natural Gas	--	310-06388
22	Bracket, Torch		-----	220-06234-----
23	Holder, Orifice		-----	310-01539-----
24	Deflector, Wind		-----	260-06229-----
25	Shield		-----	260-06231-----
26	Base		-----	260-06232-----
27	Screw		-----	130-01530-----
28	Holder, Match		-----	410-06230-----
29	Case, Barrel & Top		-----	400-06812-----
30	Case, Top		-----	260-06233-----
31	Case, Barrel		-----	260-06235-----
32	Nut, Wing		-----	130-01531-----