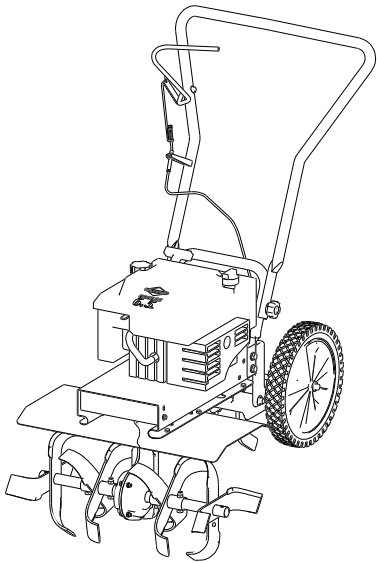


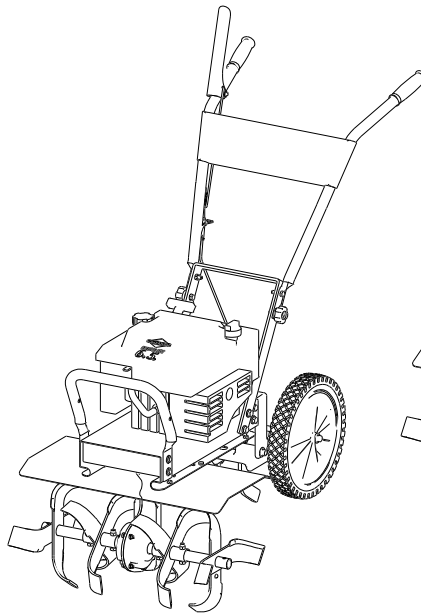
Earthquake[®]

OPERATING INSTRUCTIONS & PARTS EXPLOSIONS FRONT TINE ROTOTILLERS

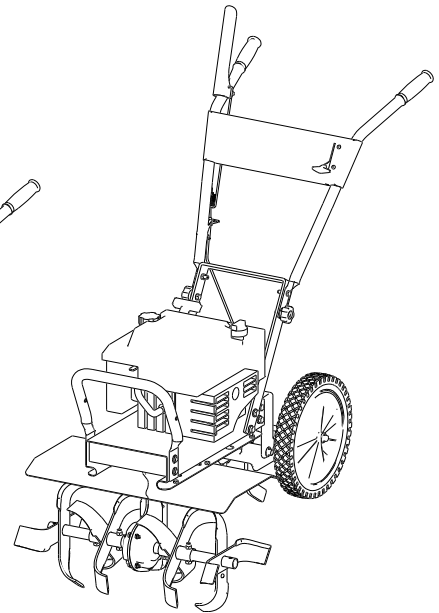


**3365 BRIGGS & STRATTON
5.50 FT-LBS
GROSS TORQUE**

**3365CE BRIGGS & STRATTON
5.50 FT-LBS
GROSS TORQUE**

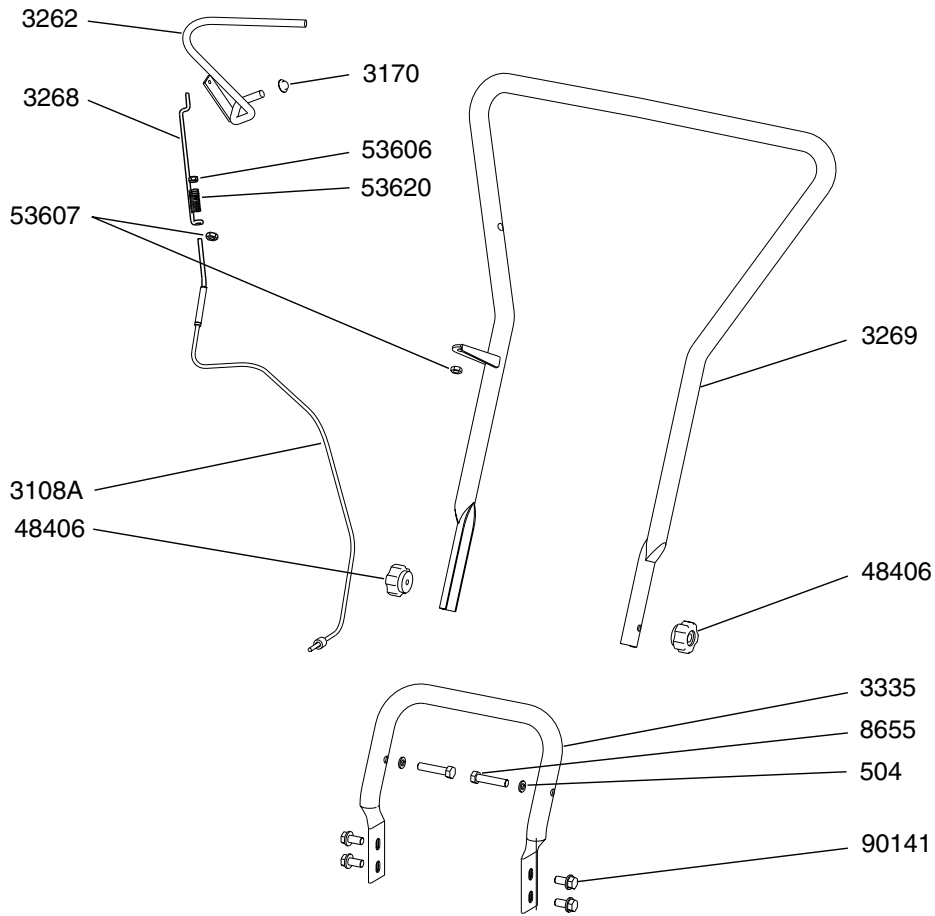


**3365PS BRIGGS & STRATTON
5.50 FT-LBS
GROSS TORQUE**



R3355H 5.5 HP HONDA

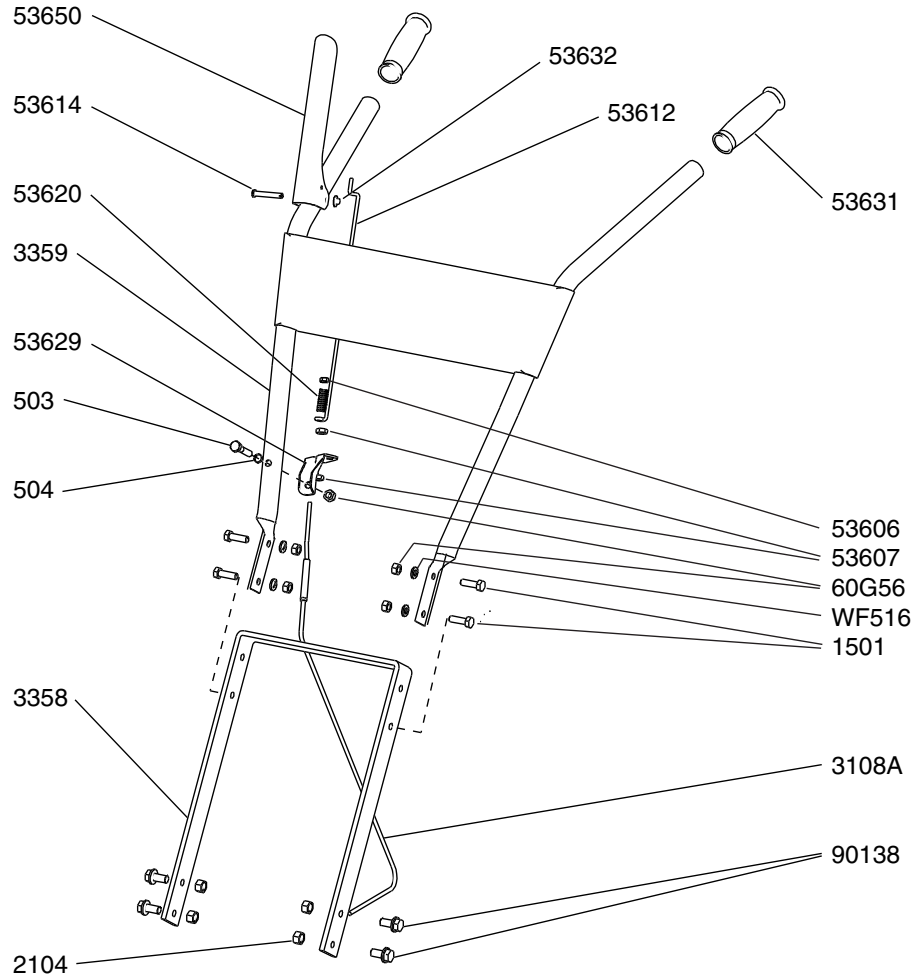
3365/3365CE HANDLEBAR PARTS



PART #	DESCRIPTION	QTY.
3108A	CABLE ASSEMBLY W/FERREL	1
3170	NUT, PUSH 3/8" DIA.	1
3262	DRIVE SAFETY CONTROL LEVER	1
3268	LINK, 5-3/4" LONG	1
3269	HANDLE, TOP	1
3335	HANDLE, BOTTOM	1
48406	KNOB, FIVE-STAR 5/16-18	2

PART #	DESCRIPTION	QTY.
504	LOCKWASHER, SPRING 5/16"	2
53606	NUT, HEX NYLOC 10-24	1
53607	NUT, HEX JAM 5/16-24	2
53620	SPRING, COMPRESSION	1
8655	BOLT, HEX HD 5/16-18 X 1-3/4"	2
90141	BOLT, SFHH W/PATCH 3/8-16 X 1" GR5	4

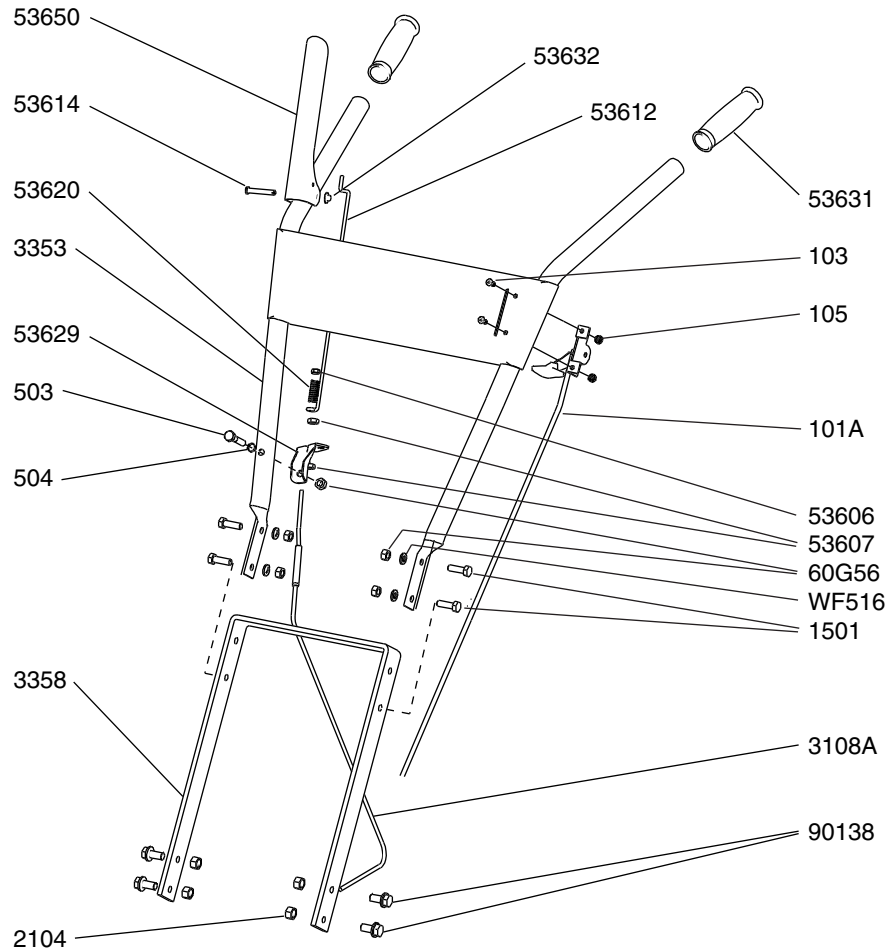
3365PS HANDLEBAR PARTS



PART #	DESCRIPTION	QTY.
1501	BOLT, SOC FLG HEX HD 5/16-18 X 3/4" GR5	4
2104	NUT, BI-WAY HEX LOCK 3/8-16	4
3108A	CABLE ASSEMBLY W/FERREL	1
3358	MOUNT, HANDLEBAR	1
3359	HANDLEBAR WELDMENT	1
503	BOLT, HH 5/16-18 X 1-1/2"	1
504	LOCKWASHER, SPRING 5/16"	2
53606	NUT, HEX NYLOC 10-24	1
53607	NUT, HEX JAM 5/16-24	2

PART #	DESCRIPTION	QTY.
53612	LINK 11-5/8" LONG	1
53614	PIN, CLEVIS 1/4 X 1-1/2"	1
53620	SPRING, COMPRESSION	1
53629	BRACKET, CABLE MOUNT	1
53631	GRIP, HANDLEBAR 1" ID FLANGELESS	2
53632	NUT, PUSH 1/4"	1
53650	LEVER, CONTROL	1
60G56	NUT, BI-WAY LOCK 5/16-18	5
90138	BOLT, SFHH 3/8-16 X 3/4"	4
WF516	WASHER, FLAT 5/16"	4

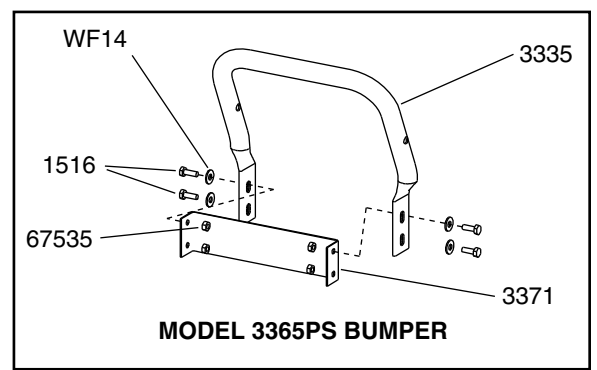
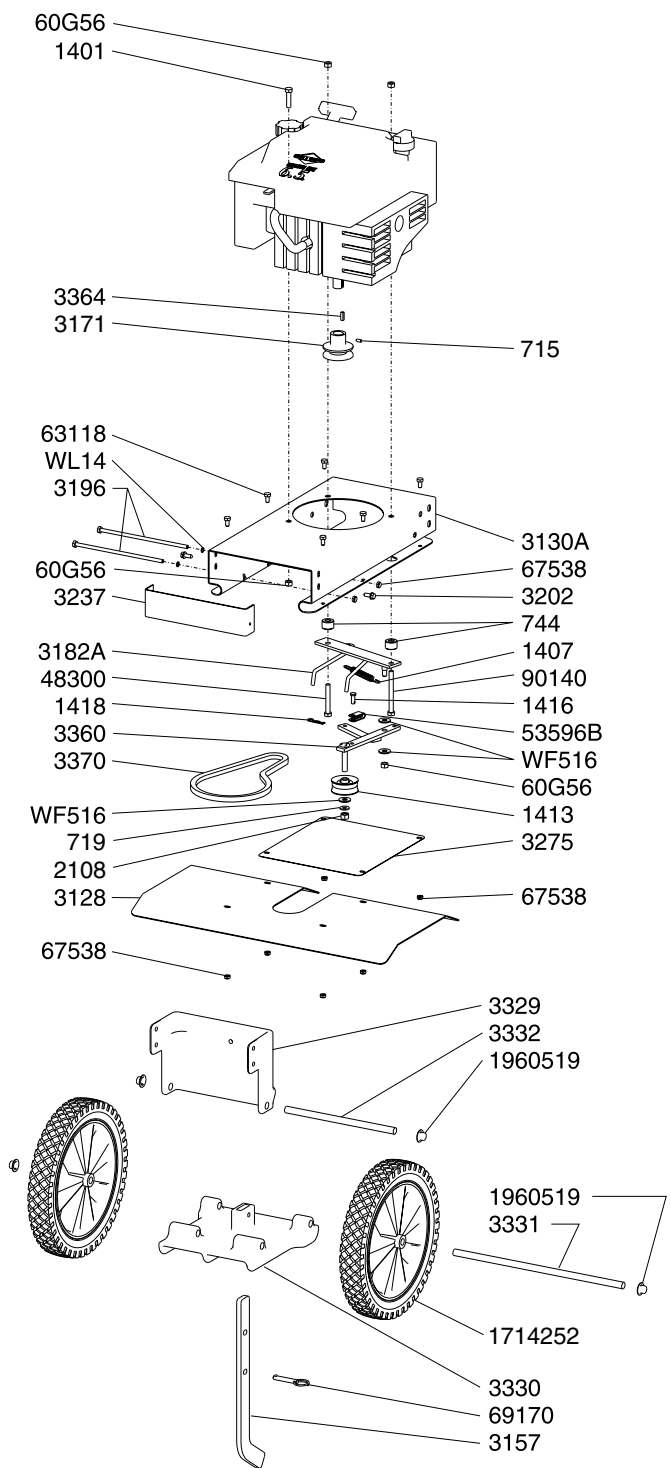
R3355H HANDLEBAR PARTS



PART #	DESCRIPTION	QTY.
101A	THROTTLE CONTROL W/ KNOB	1
103	BOLT, SLOTTED RND HD 10-32 X 1/2"	2
105	NUT, HEX NYLOCK 10-32	2
1501	BOLT, SOC FLG HEX HD 5/16-18 X 3/4" GR5	4
2104	NUT, BI-WAY HEX LOCK 3/8-16	4
3108A	CABLE ASSEMBLY W/FERREL	1
3353	MOUNT, HANDLEBAR	1
3359	HANDLEBAR WELDMENT	1
503	BOLT, HH 5/16-18 X 1-1/2"	1
504	LOCKWASHER, SPRING 5/16"	2
53606	NUT, HEX NYLOC 10-24	1

PART #	DESCRIPTION	QTY.
53607	NUT, HEX JAM 5/16-24	2
53612	LINK 11-5/8" LONG	1
53614	PIN, CLEVIS 1/4 X 1-1/2"	1
53620	SPRING, COMPRESSION	1
53629	BRACKET, CABLE MOUNT	1
53631	GRIP, HANDLEBAR 1" ID FLANGELESS	2
53632	NUT, PUSH 1/4"	1
53650	LEVER, CONTROL	1
60G56	NUT, BI-WAY LOCK 5/16-18	5
90138	BOLT, SFHH 3/8-16 X 3/4"	4
WF516	WASHER, FLAT 5/16"	4

3365_3365CE_3365PS MOTOR MOUNT & HOOD PARTS



3365_3365CE_3365PS MOTOR MOUNT & HOOD PARTS

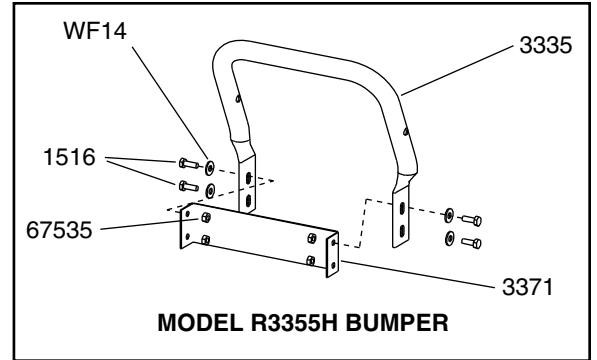
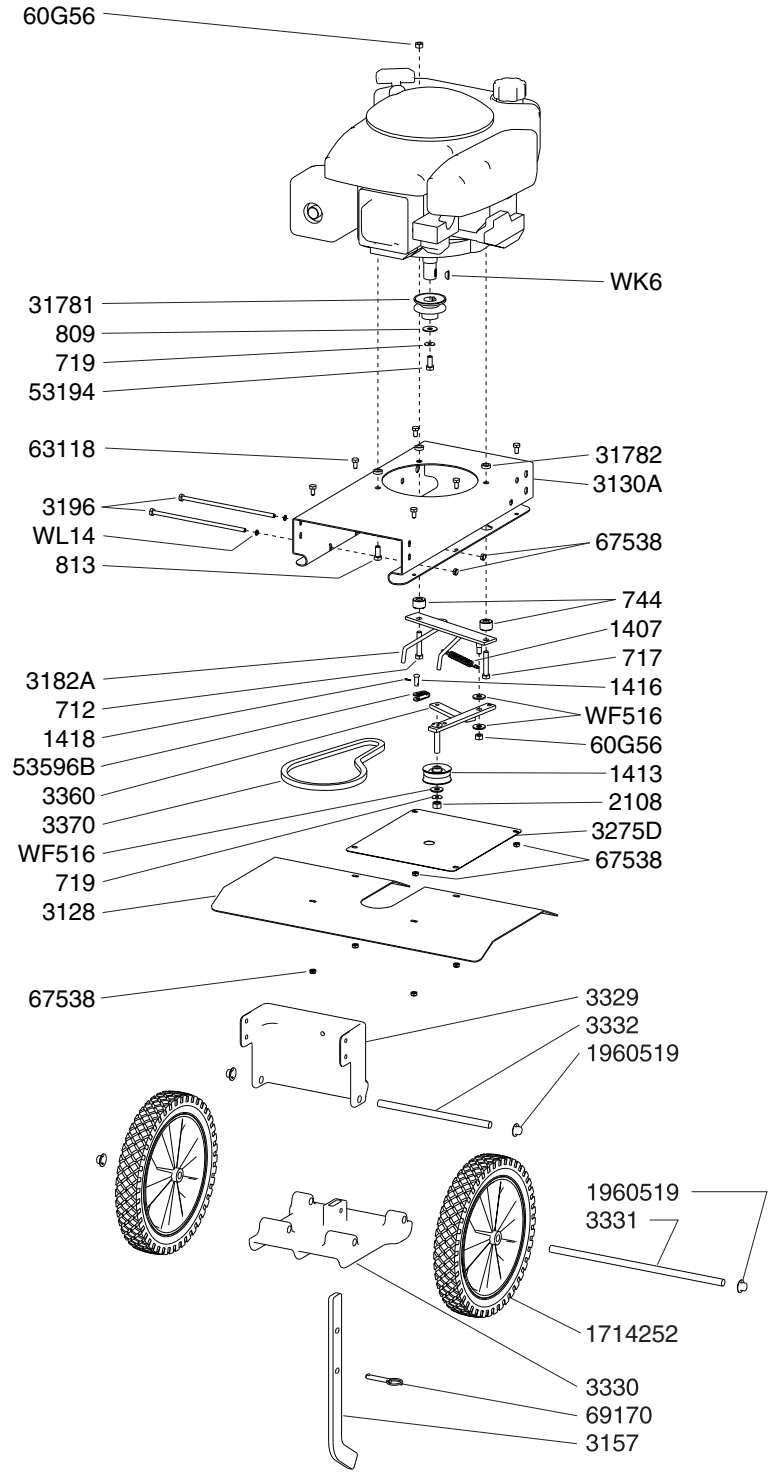
PART #	DESCRIPTION	QTY.
1401	BOLT, HHCS 5/16-18 X 1-1/4" GR5	1
1407	SPRING, FORWARD ARM	1
1413	PULLEY, FORWARD IDLER	1
1416	PIN, LINK	1
1418	PIN, COTTER	1
1714252	WHEEL & TIRE ASSY 11.0 X 1.75	2
1960519	PUSH NUT 1/2" DIA.	4
2108	NUT, NON-LOCKING HEX 3/8-16	1
3128	SHIELD, TINE	1
3130A	FRAME, ENGINE MOUNT	1
3157	LEVER, DEPTH REGULATOR	1
3171	PULLEY, ENGINE, SINGLEGROOVE 3/4" ID	1
3182A	BELT GUIDE & MOUNT	1
3196	BOLT, HHCS 1/4-20 X 7-1/2" GR5	2
3202	SCREW, SHEET METAL 1/4 X 3/4"	2
3237	COVER, FRONT BELT (3365, 3365CE)	1
3275	SHIELD, DIRT	1
3306	ENGINE, 5.50 T.R. BRIGGS (3365, 3365PS)	1
3306CE	ENGINE, 5.50 T.R. BRIGGS (3365CE)	1
3329	TAIL MOUNT, UPPER	1
3330	TAIL MOUNT, LOWER	1
3331	SHAFT, WHEEL 1/2"	1

PART #	DESCRIPTION	QTY.
3332	SHAFT, TAIL MOUNT HINGE 1/2"	1
3360	IDLER ARM, FORWARD	1
3364	KEY, SQUARE 3/16" X 5/8"	1
3370	BELT, FORWARD	1
48300	BOLT, HHCS 5/16-18 X 2-1/4" GR5	1
53596B	YOKE, CABLE	1
60G56	NUT, BI-WAY LOCK 5/16-18	4
63118	BOLT, HHCS 1/4-20 X 1/2"	6
67538	NUT, HEX NYLOC 1/4-20	8
69170	PIN, DETENT 5/16" X 2"	1
715	SET SCREW 1/4-20 X 1/4"	2
719	WASHER, SPRING LOCK 3/8"	1
744	SPACER, BELT GUIDE	2
90140	BOLT, HEX HD 5/16-18 X 3-1/4"	1
WF516	WASHER, FLAT 5/16"	3
WL14	WASHER, SPRING LOCK 1/4"	2

MODEL 3365PS BUMPER GUARD PARTS

1516	BOLT, SOC FLANGE HEX HD, 1/4-20 X 3/4"	4
3335	ARM LOWER HANDLEBAR	1
3371	COVER, FRONT 4-HOLE (replaces 3237)	1
67535	BOLT, SBHCS SS 1/4-20 X 1-1/2"	4
WF14	WASHER, FLAT 1/4"	4

R3355H MOTOR MOUNT & HOOD PARTS

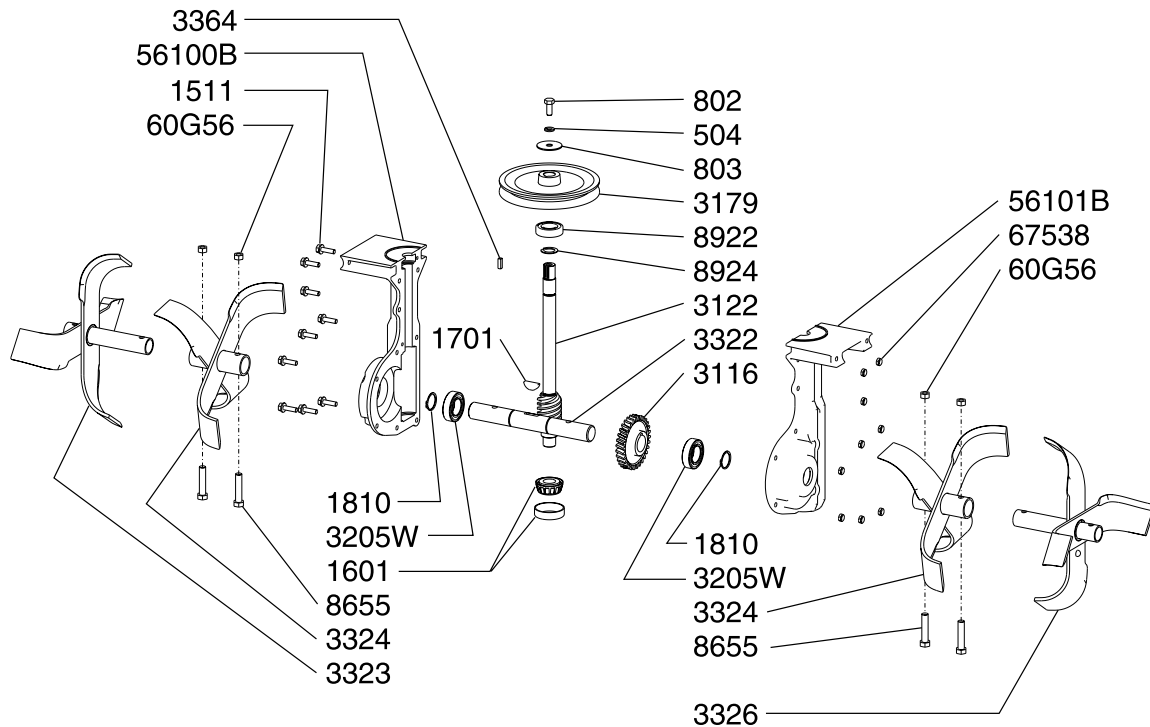


R3355H MOTOR MOUNT & HOOD PARTS

PART #	DESCRIPTION	QTY.
1407	SPRING, FORWARD ARM	1
1413	PULLEY, FORWARD IDLER	1
1416	PIN, LINK	1
1418	PIN, COTTER	1
1714252	WHEEL & TIRE ASSY 11.0 X 1.75	2
1960519	PUSH NUT 1/2" DIA.	4
2108	NUT, NON-LOCKING 3/8-16	1
3128	SHIELD, TINE	1
3130A	FRAME, ENGINE MOUNT	1
3157	LEVER, DEPTH REGULATOR	1
31781	PULLEY, ENGINE, SINGLEGROOVE 3/4" ID MODIFIED	1
31782	SPACER, ENGINE	3
3182A	BELT GUIDE & MOUNT	1
3196	BOLT, HEX HD CAP SCR 1/4-20 X 7-1/2" GR5	2
3275D	SHIELD, DIRT W/HOLE	1
33055	ENGINE, 5.5 HP HONDA	1
3329	TAIL MOUNT, UPPER	1
3330	TAIL MOUNT, LOWER	1
3331	SHAFT, WHEEL 1/2"	1
3332	SHAFT, TAIL MOUNT HINGE 1/2"	1
3360	IDLER ARM, FORWARD	1
3370	BELT, FORWARD	1

PART #	DESCRIPTION	QTY.
53194	BOLT, HEX HD FULL THRD 3/8-24 X 1" GR5	1
53596B	YOKE, CABLE	1
60G56	NUT, BI-WAY LOCK 5/16-18	4
63118	BOLT, HEX HD CAP SCR 1/4-20 X 1/2"	6
67538	NUT, HEX NYLOC 1/4-20	8
69170	PIN, DETENT 5/16" X 2"	1
712		1
717	BOLT, HEX HD 5/16-24 X 1-3/4"	1
719	WASHER, SPRING LOCK 3/8"	2
744	SPACER, BELT GUIDE	2
809	WASHER, FLAT 1" OD X 5/16" X .047" THICK	1
813	BOLT, HEX HD 5/16-24 X 1-1/4"	1
WF516	WASHER, FLAT 5/16"	3
WK6	KEY, WOODRUFF #6	1
WL14	WASHER, SPRING LOCK 1/4"	2
MODEL R3355H BUMPER GUARD PARTS		
1516	BOLT, SOC FLANGE HEX HD 1/4-20 X 3/4"	4
3335	ARM LOWER HANDLEBAR	1
3371	COVER, FRONT 4-HOLE	1
67535	BOLT, SOC BUTTON HD CAP SCR SS 1/4-20 X 1-1/2"	4
WF14	WASHER, FLAT 1/4"	4

TINES & TRANSMISSION PARTS



PART #	DESCRIPTION	QTY.
1511	BOLT, SFHH 1/4-20 X 7/8"	9
1601	BEARING, TAPERED (includes cone & race)	1
1701	KEY, HALF MOON 1/4 X 1"	1
1810	SNAP RING, EXTERNAL	2
3116	GEAR, BRASS 1" ID	1
3122	SHAFT, DRIVE	1
3179	PULLEY, SINGLE GROOVE	1
3205W	BEARING, SEALED 1" ID (replaces 3205 bearing & 747 spacer)	2
3322	SHAFT, TINE 1"	1
3323	TINE SET, OUTSIDE RIGHT	1
3324	TINE SET, INSIDE	2
3326	TINE SET, OUTSIDE LEFT	1

PART #	DESCRIPTION	QTY.
3364	KEY 3/16 X 1/2"	1
504	LOCKWASHER, SPRING 5/16"	1
56100B	CASTING, RIGHT SIDE	1
56101B	CASTING, LEFT SIDE	1
60G56	NUT, BI-WAY LOCK 5/16-18	4
67538	NUT, NYLOC 1/4"	9
802	SCREW, HEX HD 5/16-24 X 3/4"	1
803	WASHER 5/16" ID X 1-5/8" OD	1
8655	BOLT, HEX HD 5/16-18 X 1-3/4"	4
8922	BEARING, BALL R12	1
8924	SNAP RING, EXTERNAL 3/4"	1
3310TRAN	TRANSMISSION, COMPLETE	1
3334	KIT, TINES W/ DRAG STAKE (not shown)	1