

# **PARTS MANUAL**



## **MODEL G55H GASOLINE VIBRATOR (HONDA GX160K1QX2 GASOLINE ENGINE)**

Revision #1 (07/08/21)

**THIS MANUAL MUST ACCOMPANY THE EQUIPMENT AT ALL TIMES.**

# TABLE OF CONTENTS

---

## **Multiquip G55H Gasoline Vibrator**

Table Of Contents.....	2
Explanation Of Code In Remarks Column.....	4
Suggested Spare Parts .....	5

## **Component Drawings**

Nameplate And Decals Assembly .....	6-7
Eccentric/Body Assembly .....	8-9
Pivot Assembly .....	10-11
Air Cleaner Assembly .....	12-13
Engine Service Parts Assembly .....	14-15

## SUGGESTED SPARE PARTS

---

### G55H GASOLINE VIBRATOR W/HONDA GX160K1QX2 GASOLINE ENGINE

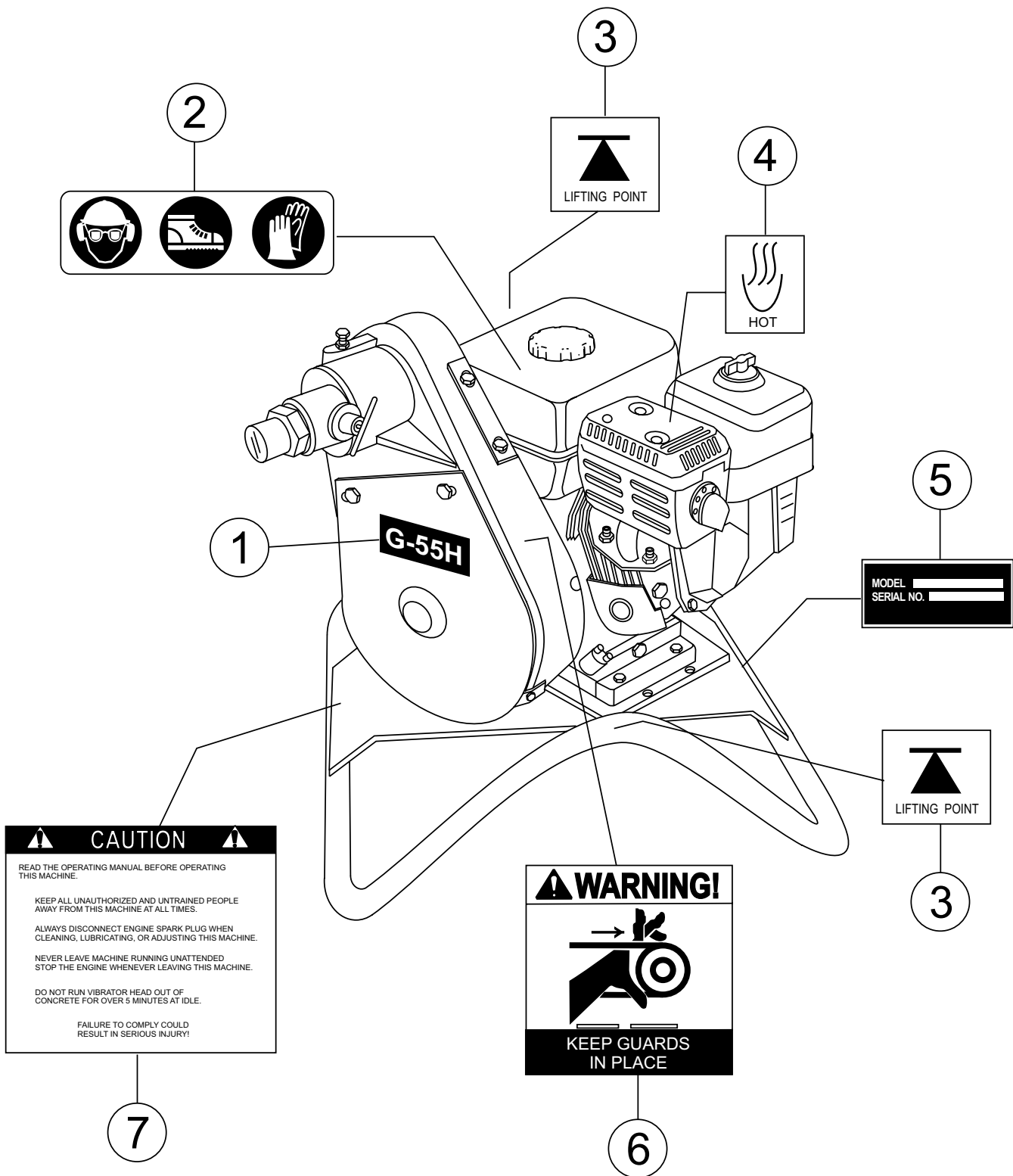
1 to 3 units

Qty.	P/N	Description
3.....	9807956846.....	SPARK PLUG
3.....	17210ZE1505.....	ELEMENT, AIR CLEANER
3.....	17218ZE1821.....	FILTER, OUTER
1.....	28462ZH8003.....	ROPE, RECOIL STARTER
1.....	28461ZH8003.....	GRIP, RECOL STARTER
1.....	17620ZH7023.....	CAP, W/GASKET FUEL FILLER
4.....	16052.....	V-BELT 3VX335

#### **NOTICE**

Part numbers on this Suggested Spare Parts list may supersede/replace the part numbers shown in the following parts lists.

# NAMEPLATE AND DECALS ASSY.

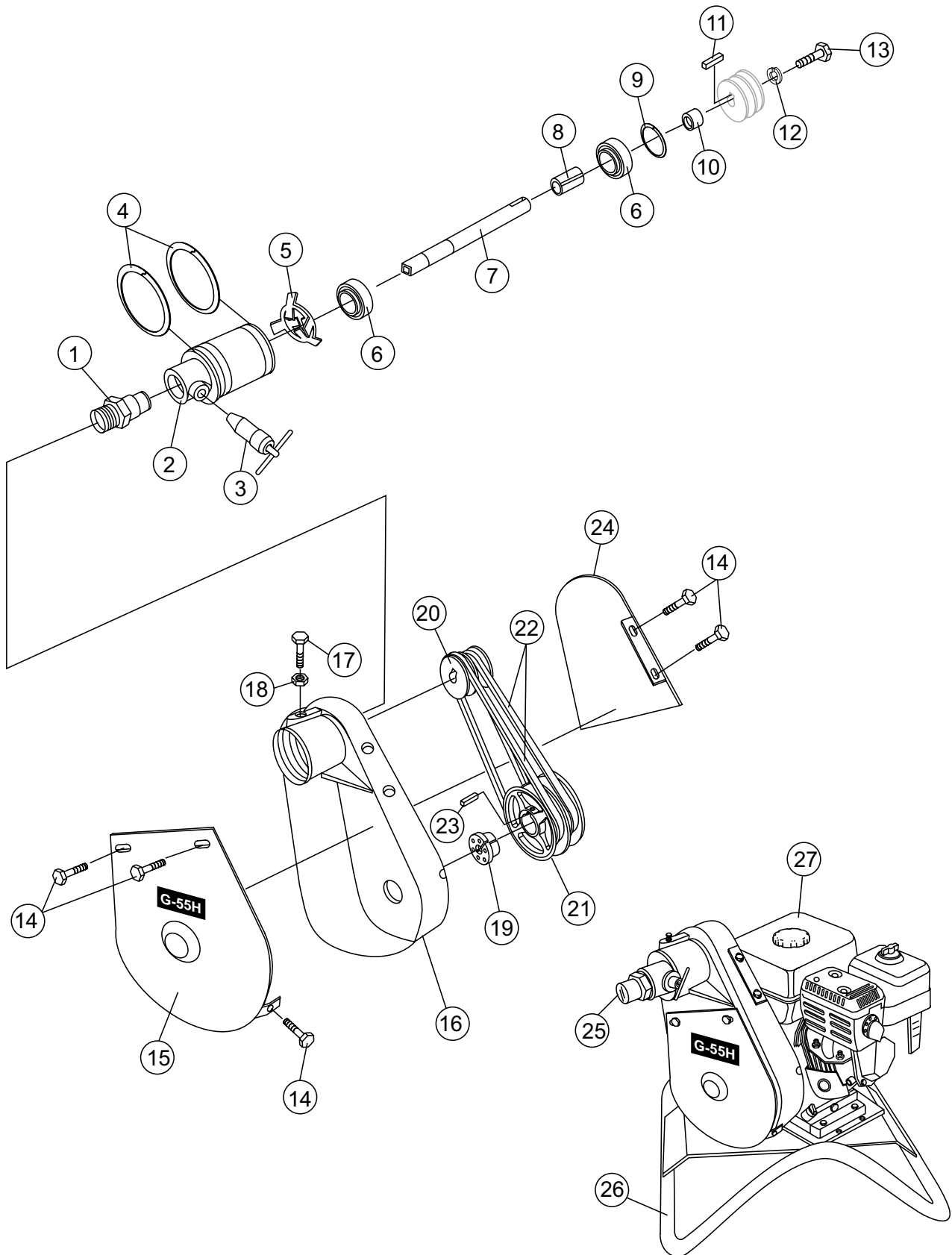


## NAMEPLATE AND DECALS ASSY.

---

<u>NO.</u>	<u>PART NO.</u>	<u>PART NAME</u>	<u>QTY.</u>	<u>REMARKS</u>
1	36521	DECAL, G-55H	1	
2	11247	DECAL, HELMET, BOOT, GLOVES (ISO BLACK)	1	
3	11246	DECAL, LIFT POINT .....	2.....	PART OF DECAL KIT 11246
4	11246	DECAL, HOT SURFACE .....	1.....	PART OF DECAL KIT 11246
5		NAMEPLATE .....	1.....	CONTACT MQ PARTS DEPT.
6	21665	DECAL, WARNING, KEEP GUARDS IN PLACE	2	
7	25883-001	DECAL, CAUTION, READ MANUAL	1	

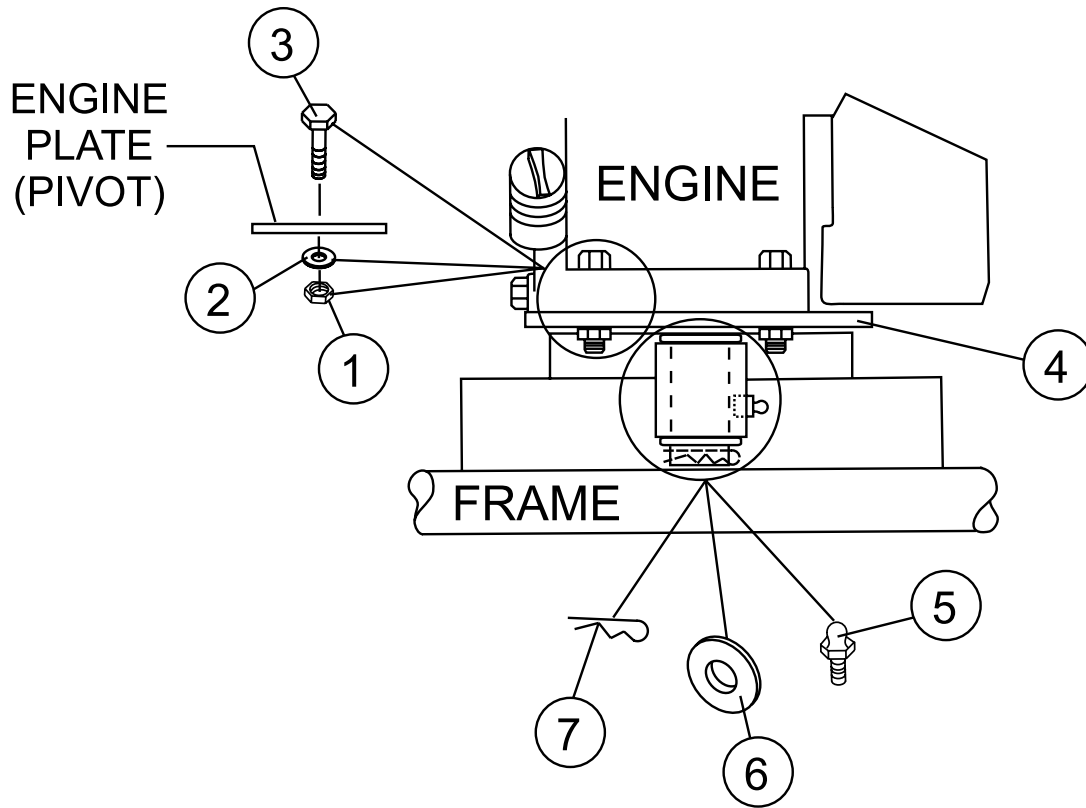
# ECCENTRIC/BODY ASSY.



## ECCENTRIC/BODY ASSY.

<u>NO.</u>	<u>PART NO.</u>	<u>PART NAME</u>	<u>QTY.</u>	<u>REMARKS</u>
1	36248	COUPLING, SHAFT	1	
2	18045-501	ECCENTRIC ASSY.....	1.....	INCLUDES ITEMS W/#
3#	25015-501	LOCK ASSEMBLY	1	
4#	08752-275	SNAP RING	2	
5#	06330-002	BEARING SPRING	1	
6#	14043-017	BEARING	2	
7#	14546-001	SPINDLE	1	
8#	08601-045	SPACER, SPLIT	1	
9#	08751-156	SNAP RING	1	
10#	06467-062	SPACER	1	
11#	584013	KEY 3/16"X3/16"X1"	1	
12#	2037	LOCK WASHER 5/16"	1	
13#	20875	CAP SCREW 5/16"-18 X 3/4"	1	
14	22538-001	SCREW-THREAD FORMING	8	
15	25845-001	BELT GUARD (FRONT)	1	
16	18024-001	HOUSING	1	
17	0202	SCREW, HHC 5/16"-18X1	1	
18	0106	NUT, HEX JAM 5/16"-18	1	
19	36517	QD BUSHING	1	
20#	18044-001	PULLEY (UPPER)	1	
21	36516	PULLEY (LOWER)	1	
22	16052	BELT 3VX335	2	
23	0627	KEY-3/16 SQ. X 1-1/4"	1	
24	25846-001	BELT GUARD (REAR)	1	
25#	11534-018	CAP, DUST	1	
26	27100-351	FRAME ASSEMBLY	1	
27	1386	ENGINE-5.5 HP HONDA	1	
28#	23429-001	ADAPTER FITTING 382 QD COUPLING		

# PIVOT ASSY.

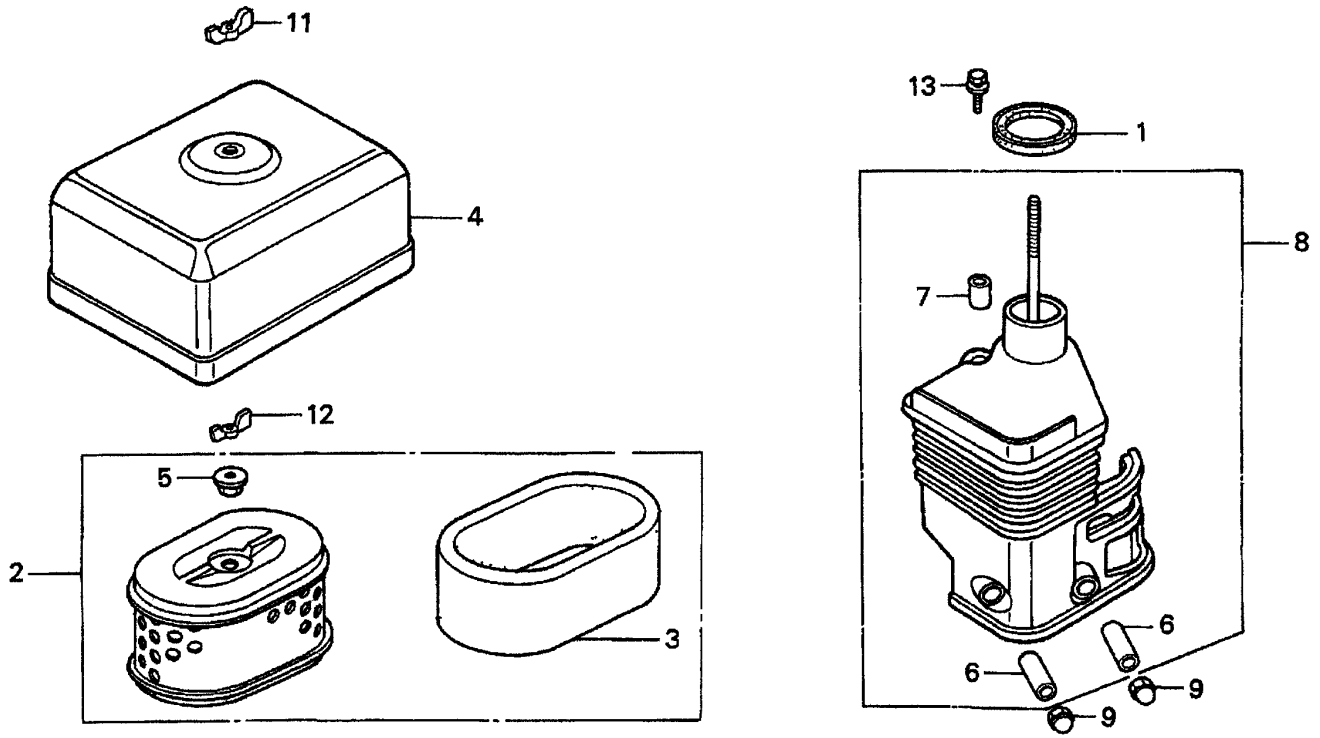


## **PIVOT ASSY.**

---

<u>NO.</u>	<u>PART NO.</u>	<u>PART NAME</u>	<u>QTY.</u>	<u>REMARKS</u>
1	5283	NUT-GRIPCO 5/16-18	4	
2	0300 B	FLAT WASHER 5/16"	4	
3	0105	HHCS 5/16-18 X 1-1/2"	4	
4	27108-351	ENGINE PLATE-PIVOT	1	
5	2621	GREASE FITTING	1	
6	3264	FLAT WASHER 1"	2	
7	07028-057	COTTER PIN 5/32" X 1-1/2"	1	

# AIR CLEANER ASSY.

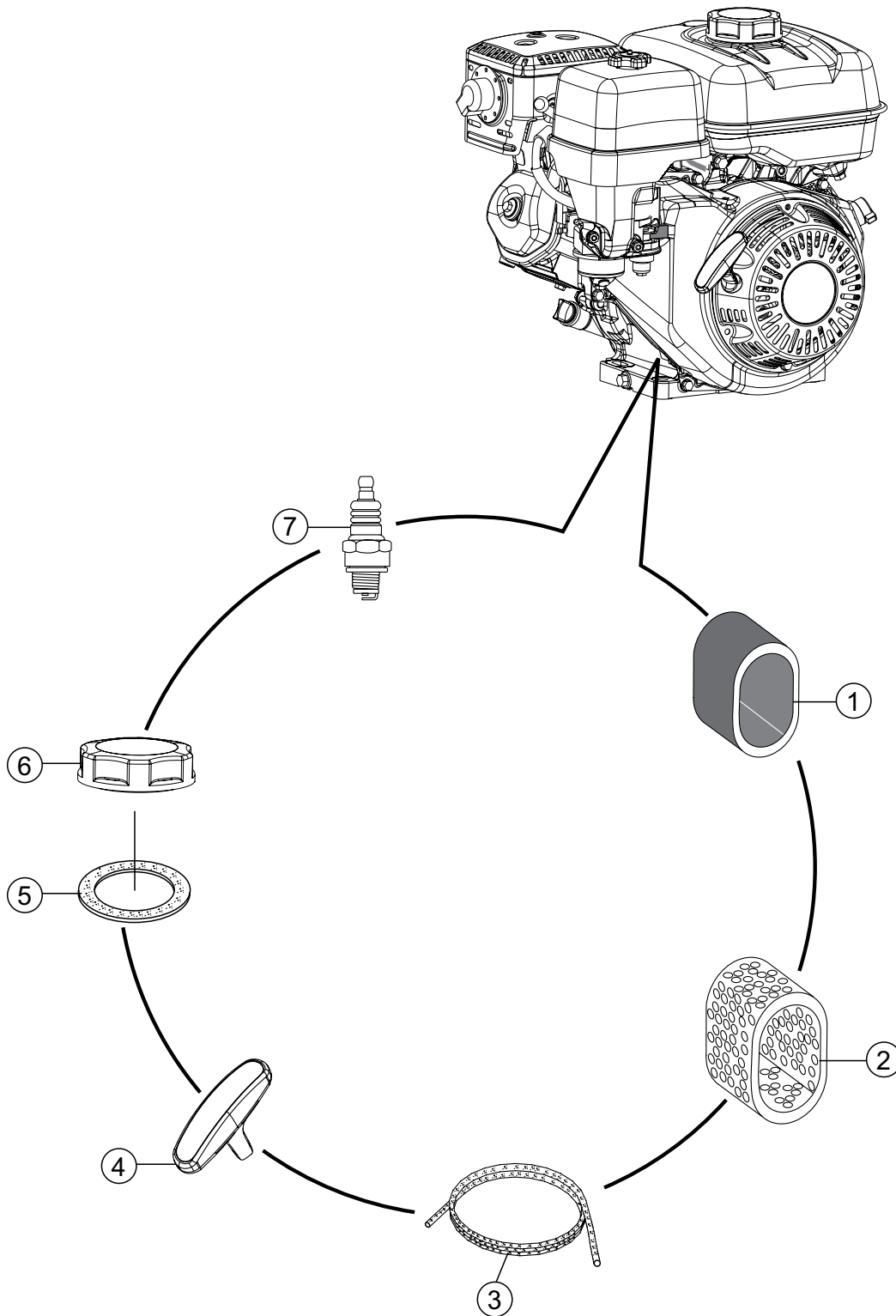


## AIR CLEANER ASSY.

---

<u>NO.</u>	<u>PART NO.</u>	<u>PART NAME</u>	<u>QTY.</u>	<u>REMARKS</u>
1	16271ZE1000	GASKET, ELBOW	1	
2	17210ZE1505	ELEMENT, AIR CLEANER (DUAL).....	1.....	INCLUDES ITEMS W/\$
3\$	17218ZE1821	FILTER, OUTER	1	
4	17230ZE1820	COVER, AIR CLEANER (DUAL)	1	
5\$	17232891000	GROMMET, AIR CLEANER	1	
6@	17238ZE7010	COLLAR, AIR CLEANER	2	
7@	17239ZE1000	COLLAR B, AIR CLEANER	1	
8	17410ZE1020	ELBOW, AIR CLEANER .....	1.....	INCLUDES ITEMS W/@
9	90201415000	NUT, CAP 6MM	2	
11	90325044000	WINGNUT, TOOL BOX SETTING	1	
12	90325044000	WINGNUT, TOOL BOX SETTING	1	
13	957010602000	BOLT, FLANGE 6 X 20	1	

# ENGINE SERVICE PARTS ASSY.



## ENGINE SERVICE PARTS ASSY.

---

<u>NO.</u>	<u>PART NO.</u>	<u>PART NAME</u>	<u>QTY.</u>	<u>REMARKS</u>
1	17218ZE1821	FILTER, OUTER	1	
2	17210ZE1505	ELEMENT, AIR CLEANER (DUAL)	1	
3	28462ZH8003	ROPE, RECOIL STARTER	1	
4	28461ZH8003	GRIP, RECOIL STARTER	1	
5#	17631ZH7003	GASKET, FUEL CAP	1	
6	17620ZH7023	CAP, FUEL TANK.....	1.....	INCLUDES ITEM W/#
7	9807956846	SPARK PLUG BPR6ES (NGK)	1	