



SERVICE/PARTS MANUAL

MODELS: LJ100



Lift Jockey™

A 100% employee-owned American manufacturer

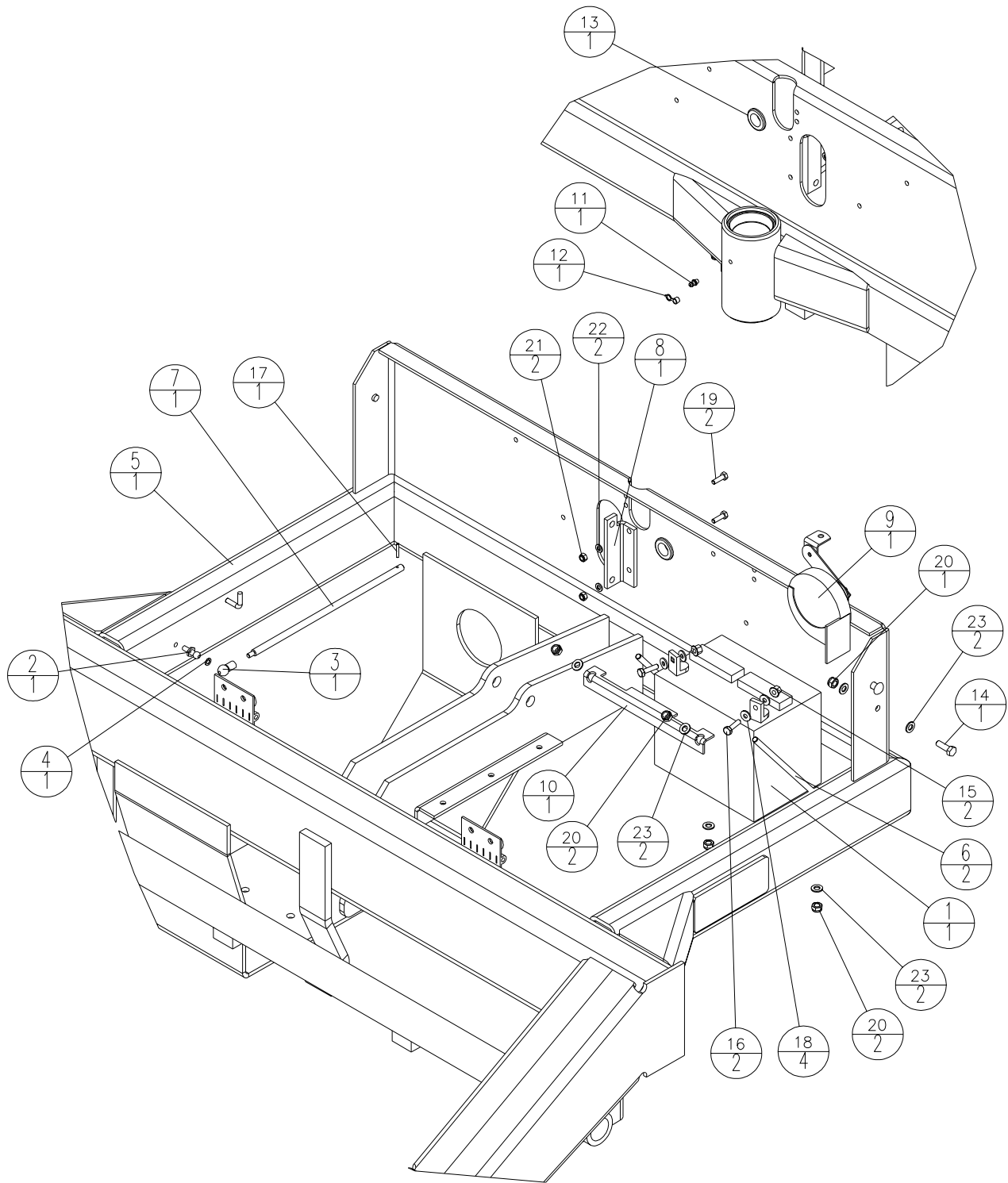
PARTS LIST

Exploded Views with Parts

Frame Assembly	34-35
Tilt Cylinder & Valve Assembly	36-37
Cowl Assembly	38-39
Front Wheel Assembly	40-41
Hydraulic Tank Assembly	42-43
Engine Assembly	44-45
Drive Axle & Steering Assembly	46-47
Steering Handle Assembly	48-49
Control Linkage Assembly	50-51
Mast Assembly	52-55
Lift Frame Assembly	56-57
Hydraulic Piping Schematic	58-59
Hydraulic System Schematic	60-61
Electrical Wiring Schematic	62-63
Decal Identification/Location	64-67

PARTS LIST

Frame Assembly



PARTS LIST

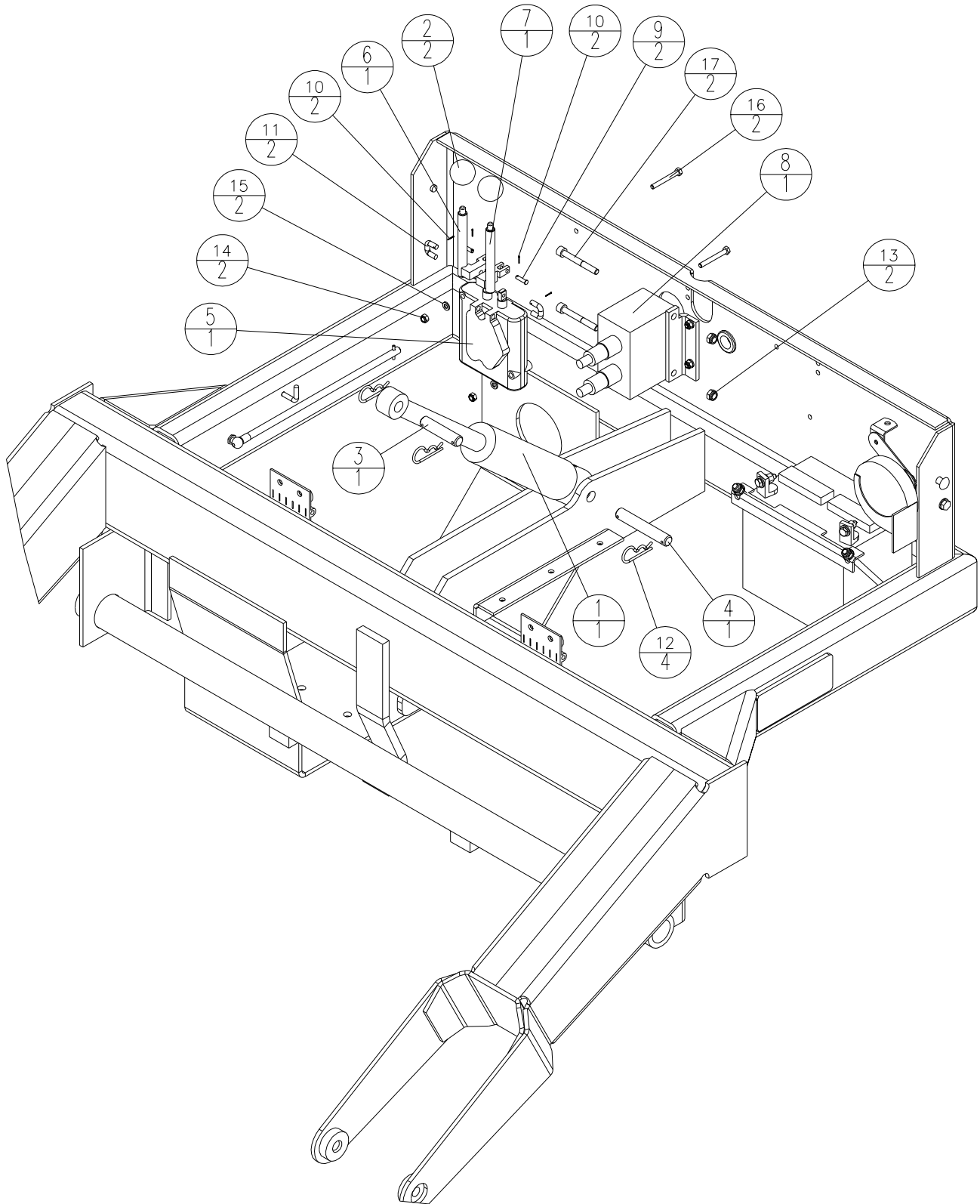
Frame Assembly

ITEM	PART NO.	DESCRIPTION	QTY
1	35321	BATTERY 12 MONTH 165 CCA	1
2 *	36572	STUD BALL 10MM 5/16-18 THRD	1
3	36580	CONNECTOR END, GAS SPRING	1
4	36581	GAS SPRING RETAINING CLIP	1
5	36839-2	WELDMENT FRAME SECONDARY	1
6	36905	HOLD DOWN J-HOOK	2
7	36927-2	PROP ROD HOOD	1
8	36966-2	BRACKET COUNTERBALANCE VALVE	1
9	38667	HORN 12V 125 dB	1
10	45252-2	BRACKET HOLD DOWN BATTERY	1
11	46042	FITTING GREASE 1/4-28 ZN	1
12	47001	CAP GREASE FITTING	1
13	47257	GROMMET .69 ID X 1.00 GD	1
14	80087	HHCS M8-1.25 X 25 8.8 ZN	1
15	80236	NUTKP 1/4-20 ZN	2
16	80354	HHCS 1/4-20 X 1 GR5 ZN	2
17	80490	PINSP 1/8 X 7/8	1
18	80571	WSHR 1/4 SAE ZN	4
19	80758	HHCS M6-1 X 20 8.8 ZN	2
20	80817	NUTNY M8-1.25 ZN	5
21	80851	NUTNY M6-1 ZN	2
22	80856	WSHR FLAT M6 X 12 ZN	2
23	80857	WSHR FLAT M8 X 16 ZN	6

~ NOT SHOWN
* LOCTITE
AS REQUIRED

PARTS LIST

Tilt Cylinder & Valve Assembly



PARTS LIST

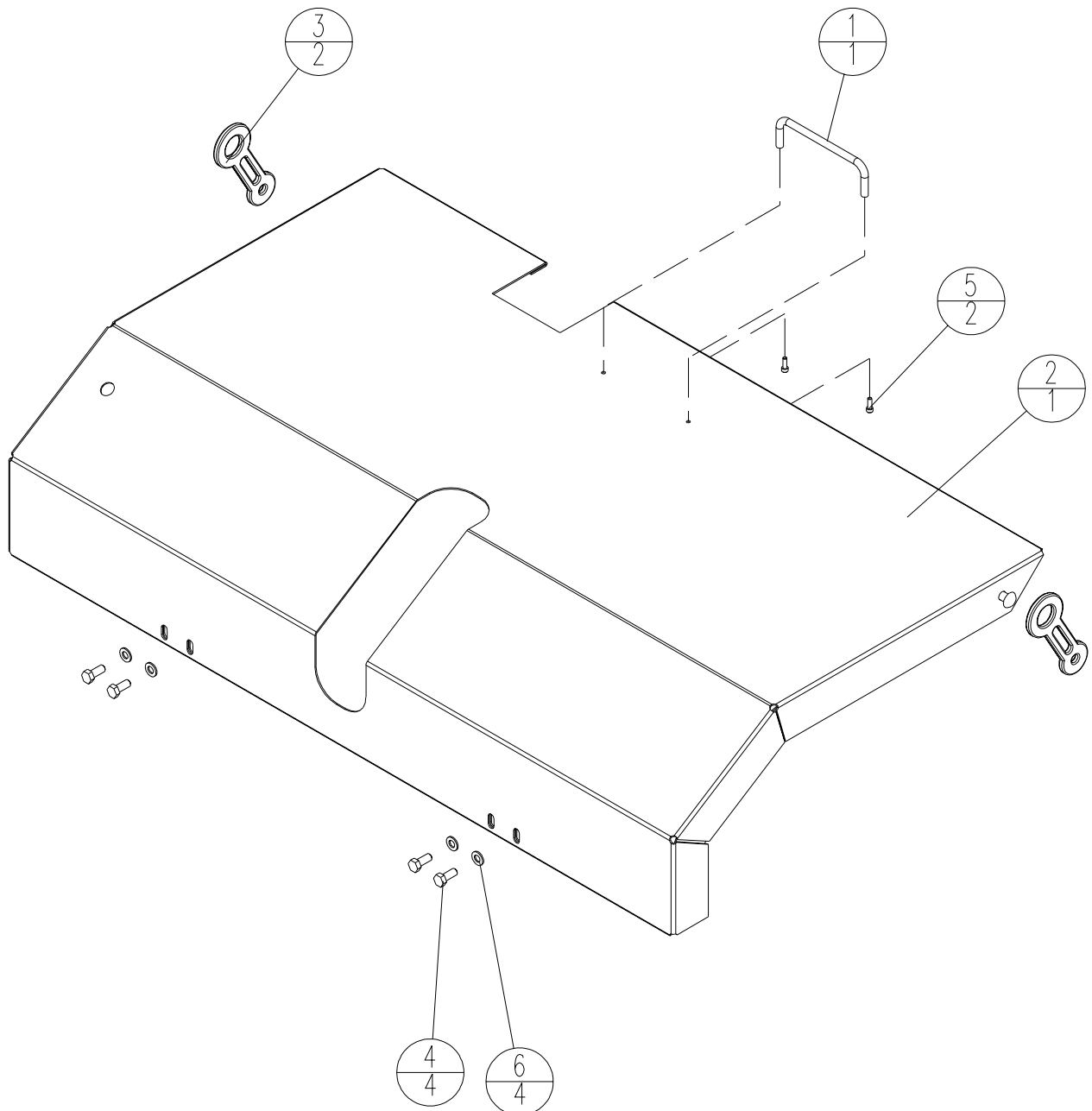
Tilt Cylinder & Valve Assembly

ITEM	PART NO.	DESCRIPTION	QTY
1	36904	CYLINDER TILT MAST	1
2	36921	KNOB BALL 1 3/8 DIA	2
3	36928	PIN CLEVIS MAST	1
4	36929	PIN CLEVIS FRAME	1
5	36951	VALVE DIRECTIONAL CONTROL CYLINDER HYD	1
6	36972-2	WELDMENT VALVE ACTUATOR RIGHT	1
7	36973-2	WELDMENT VALVE ACTUATOR LEFT	1
8	36977	COUNTER BALANCE VALVE	1
9	36979	PIN CLEVIS 3/16 x 3/4	2
10	36981	PIN COTTER	4
11	36982	CLIP ACTUATOR	2
12	37072	HITCH PIN 1/8 x 5/8	4
13	80817	NUTNY M8-1.25 ZN	2
14	80851	NUTNY M6-1 ZN	2
15	80856	WSHR FLAT M6 X 12 ZN	2
16	80881	HHCS M6-1 X 50 8.8 ZN	2
17	81007	SHCS M8-1.25 X 65 8.8 ZN	2

^ NOT SHOWN
* LOCTITE
AS REQUIRED

PARTS LIST

Cowl Assembly



PARTS LIST

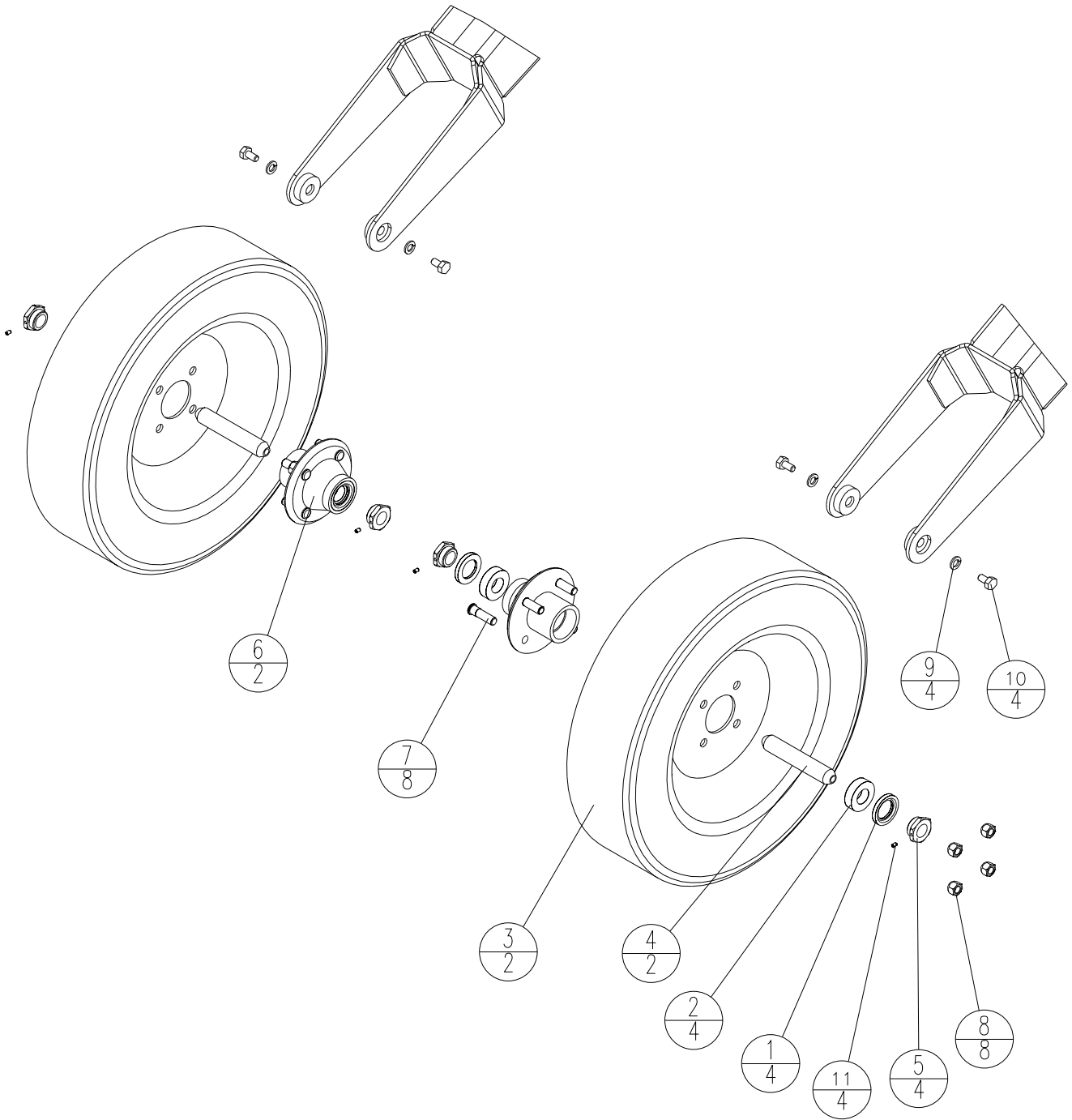
Cowl Assembly

ITEM	PART NO.	DESCRIPTION	QTY
1	36925	HANDLE PULL	1
2	36976-2	WELDMENT COWL	1
3	47182	LATCH COWL	2
4	80406	HHCS M8-1.25 X 20 8.8 ZN	4
5 *	80612	SHCS 8-32 x 1/2 BLK	2
6	80857	WSHR FLAT M8 X 16 ZN	4

^ NOT SHOWN
* LOCTITE
AS REQUIRED

PARTS LIST

Front Wheel Assembly



PARTS LIST

Front Wheel Assembly

ITEM	PART NO.	DESCRIPTION	QTY
1 +	32052	SEAL WHEEL HUB	4
2 +	32233	BEARING RLR TAPER 1.000	4
3	32306	ASM TIRE RIM 4.8 x 12	2
4	36858	AXLE SHAFT FRONT	2
5	36859	AXLE BUSHING FRONT	4
6	37073	KIT HUB 4 BOLT	2
7 +	39190	LUG STUD 1/2-20 x 1 7/32 LG	8
8 +	80045	LUGNT 1/2-20 ZN	8
9	80805	WSHRL M12 SPLIT ZN	4
10*	80808	HHCS M12-1.75 x 20 8.8 ZN	4
11*	81106	SHSS M5-0.8 x 8 BLK	4
^	36958	ASM TIRE RIM FOAM 4.8 X 12	2

^ NOT SHOWN

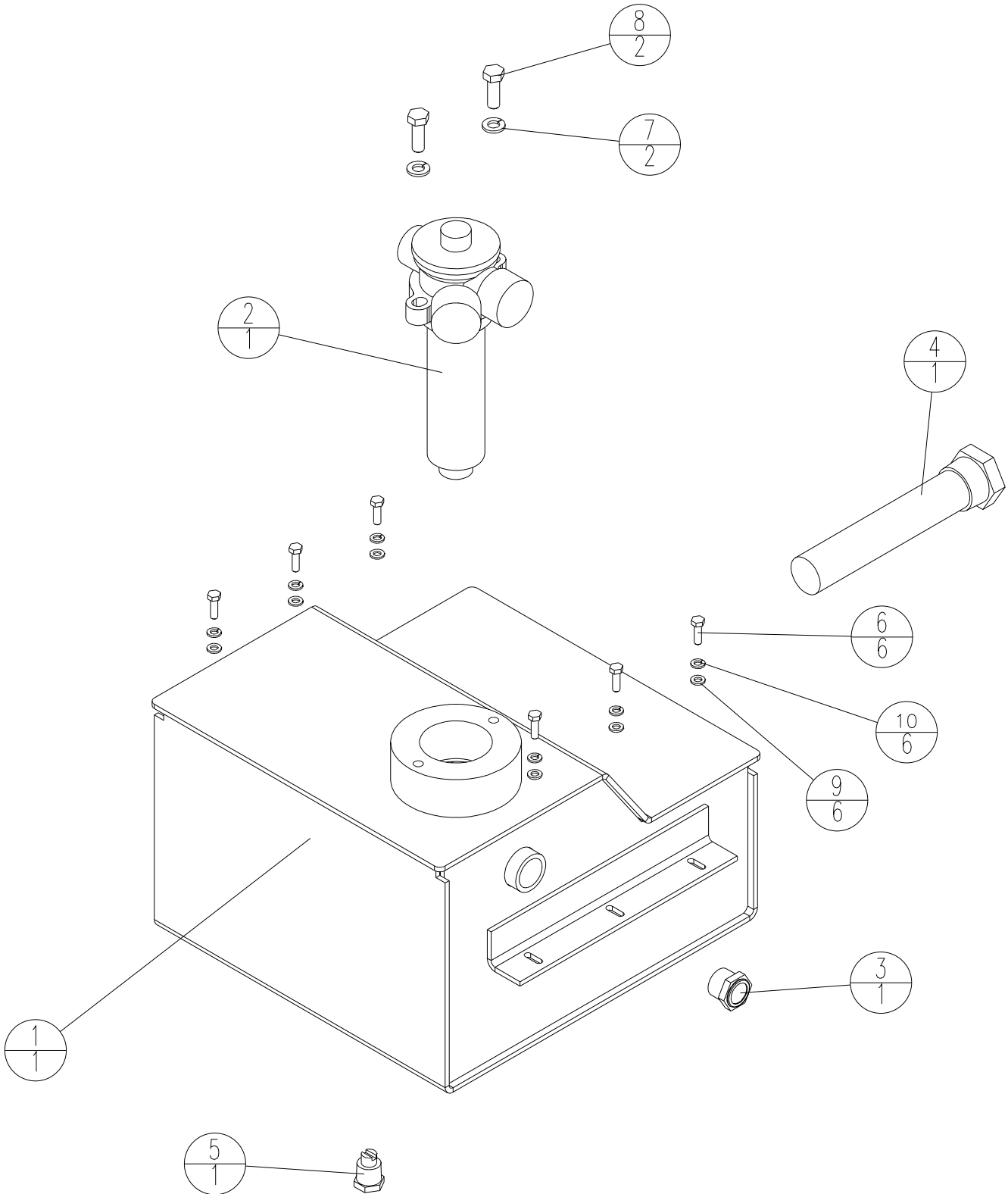
* LOCTITE

AS REQUIRED

+ INCLUDED IN 37073 KIT HUB 4 BOLT

PARTS LIST

Hydraulic Tank Assembly



PARTS LIST

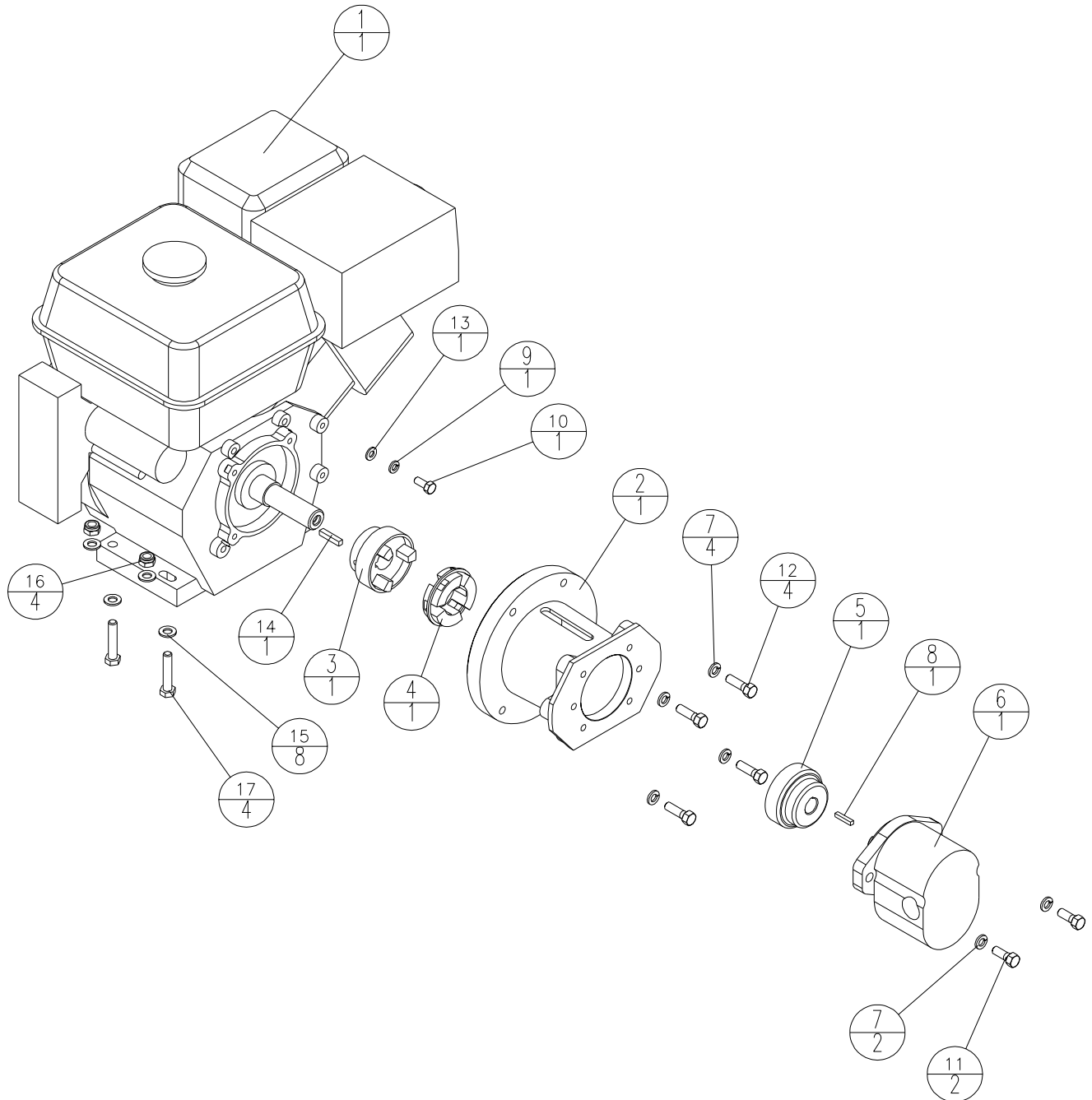
Hydraulic Tank Assembly

ITEM	PART NO.	DESCRIPTION	QTY
1	36896-2	WELDMENT HYDRAULIC TANK	1
2	36931	FILTER HYD 10M 20G IN TANK	1
3	38534	SIGHT GLASS 3/4 NPT	1
4	39088	STRAINER 10 GPM	1
5	46108	PLUG MAGN. 1/2 HXHD	1
6 *	80758	HHCS M6-1 X 20 8.8 ZN	6
7	80804	WSHRL M10 SPLIT ZN	2
8	80815	HHCS M10-1.5 X 30 8.8 ZN	2
9	80856	WSHR FLAT M6 X 12 ZN	6
10	80860	WSHRL M6 SPLIT ZN	6
^	36987	INDICATOR GAUGE	1
^	36988	FILTER ELEMENT	1
^	36989	BREATHER ELEMENT	1
^	36995	KIT SEAL FILTER	1
^	36996	COVER FILTER	1
^	36997	BOWL FILTER	1
^	36998	HOUSING HEAD FILTER	1
^	36999	GAURD SPLASH FILTER	1

^ NOT SHOWN
* LOCTITE
AS REQUIRED

PARTS LIST

Engine Assembly



PARTS LIST

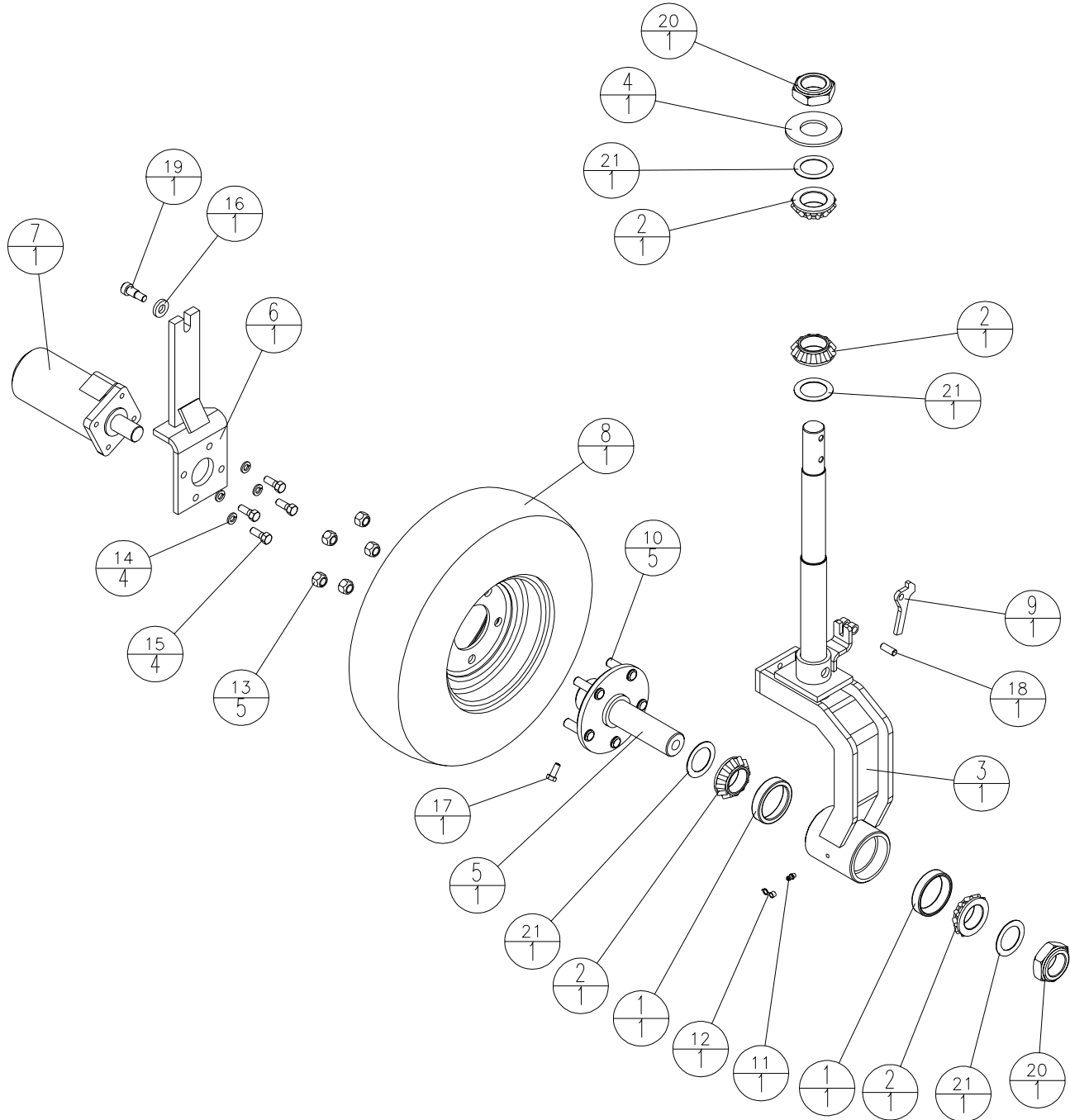
Engine Assembly

ITEM	PART NO.	DESCRIPTION	QTY
1	30225	ENGINE 8hp HONDA ELECT START	1
2	39093	ADAPTOR PUMP/MOTOR	1
3	39094	COUPLING 1 ID X 1/4 KEY	1
4	39096	INSERT COUPLING	1
5	39646	COUPLING PUMP	1
6	39663	PUMP HYDRAULIC	1
7	80058	WSHRL 3/8 MED SPLIT ZN	6
8	80060	KEY SQ 3/16 x 1 PLN	1
9	80086	WSHRL 5/16 MED SPLIT ZN	1
10	80095	HHCS 5/16-24 x 3/4 GR 5 ZN	1
11*	80102	HHCS 3/8-16 x 1 PLN	2
12*	80145	HHCS 3/8-16 X 1-1/4 GR5 ZN	4
13	80348	WSHR WROT 5/16 ZN	1
14	80394	KEY SQUARE 1/4 x 1.25 PLN	1
15	80806	WSHR FLAT M10 X 20 ZN	8
16	80833	NUTNY M10-1.5 ZN	4
17*	80838	HHCS M10-1.5 X 50 8.8 ZN	4
^	22433	KIT MUFFLER DEFLECTOR	1

^ NOT SHOWN
* LOCTITE
AS REQUIRED

PARTS LIST

Drive Axle and Steering Assembly



PARTS LIST

Drive Axle and Steering Assembly

ITEM	PART NO.	DESCRIPTION	QTY
1	32160	CUP BEARING	2
2	32161	CONE BEARING	4
3	36862-2	WELDMENT STEERING COLUMN	1
4	36934	PLATE COVER BEARING	1
5	36940-2	WELDMENT AXLE DRIVE	1
6	36944-2	WELDMENT MOTOR BRACKET	1
7	36949	MOTOR HYD GEROTOR 22.6 CIR 1250 PSI	1
8	36952	TIRE AND RIM	1
9	36994	LEVER PARKING	1
10 +	39190	LUG STUD 1/2-20 x 1 7/32 LG	5
11	46042	FITTING GREASE 1/4-28 ZN	1
12	47001	CAP GREASE FITTING	1
13	80045	LUGNT 1/2-20 ZN	5
14	80058	WSHRL 3/8 MED SPLIT ZN	4
15 *	80102	HHCS 3/8-16 x 1 PLN	4
16	80125	WSHR 17/32 X 1-1/16 X 3/16 ZN	1
17 *	80406	HHCS M8-1.25 X 20 8.8 ZN	1
18	80773	PINDL 3/8 OD X 1.00 LG	1
19 *	81107	SHSHBM 12MM DIA x M10 THD x 16MM LG	1
20	81108	NUTNY 1 1/2-12	2
21	81109	THRUST WASHER 1 1/2	4
^	36959	ASM TIRE RIM FOAM 4.80 - 4.00 X 8	1

^ NOT SHOWN

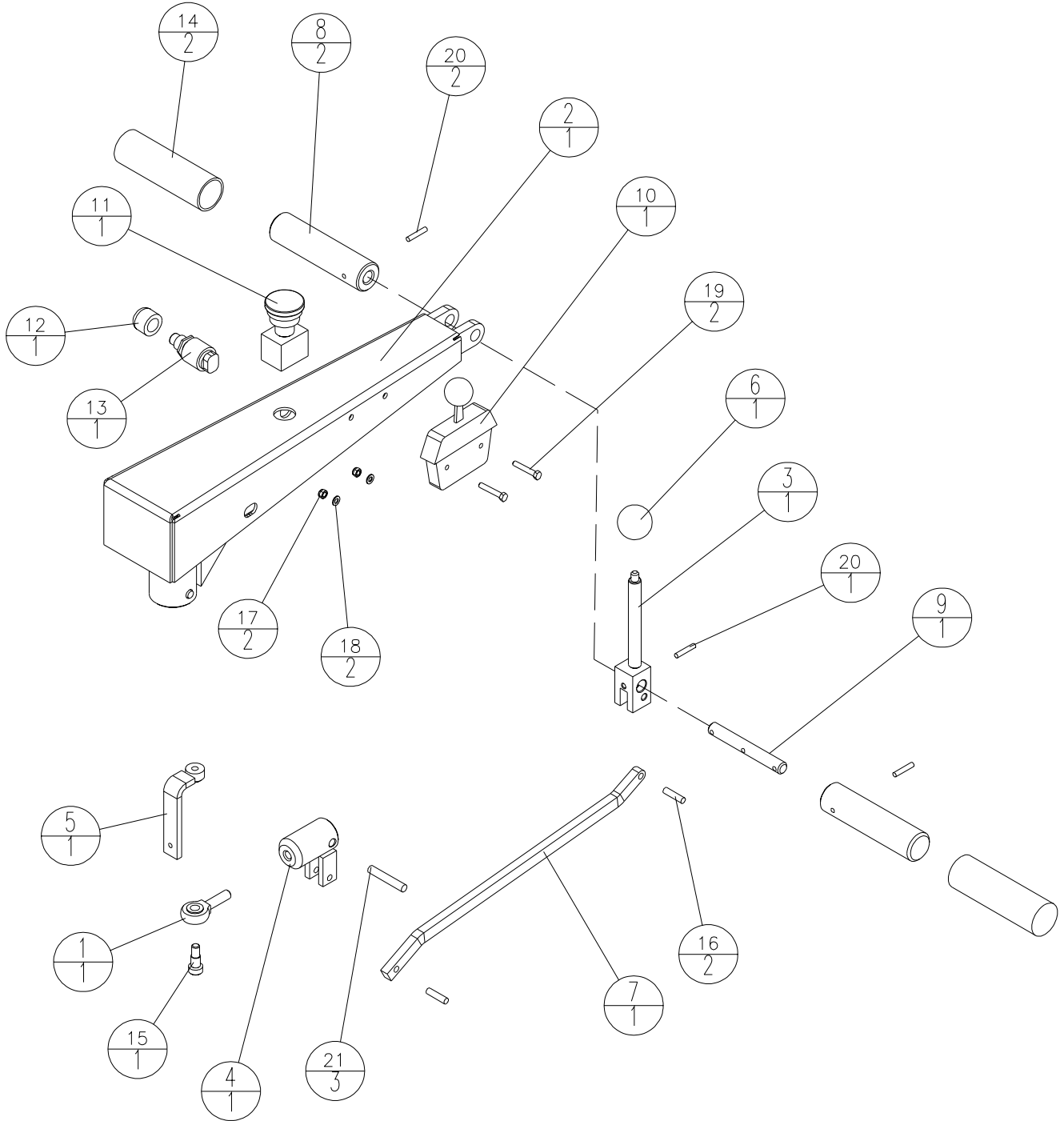
* LOCTITE

AS REQUIRED

+ INCLUDED IN 36940 WELDMENT AXLE DRIVE

PARTS LIST

Steering Handle Assembly



PARTS LIST

Steering Handle Assembly

ITEM	PART NO.	DESCRIPTION	QTY
1	32124	ROD END BEARING	1
2	36906-2	WELDMENT STEERING ARM	1
3	36912-2	WELDMENT CONTROL FWD/REV	1
4	36915-2	WELDMENT CONTROL PIVOT	1
5	36918-2	WELDMENT LINKAGE SWIVEL	1
6	36921	KNOB BALL 1 3/8 DIA	1
7	36922-2	LINKAGE CONTROL FWD/REV	1
8	36923-2	HANDLE CONTROL FWD/REV	2
9	36924	ROD CONTROL FWD/REV	1
10	36948	THROTTLE ASSEMBLY	1
11	36991	SWITCH E-STOP	1
12	37079	BUTTON SWITCH MOMENTARY	1
13	39612	SWITCH MOMENTARY PUSH	1
14	47023	GRIP HAND	2
15*	80285	SHSHB 3/8 x 1/2 BLK	1
16	80320	PINSP 1/4 X 1.00 ZN	2
17	80850	NUTNY M5-.8 ZN	2
18	80855	WSHR FLAT M5 X 10 ZN	2
19	80890	HHCS M5-.8 X 30 8.8 ZN	2
20	81100	PINSP 3/16 X 1.00 ZN	3
21	81101	PINSP 5/16 X 1-7/8 ZN	3

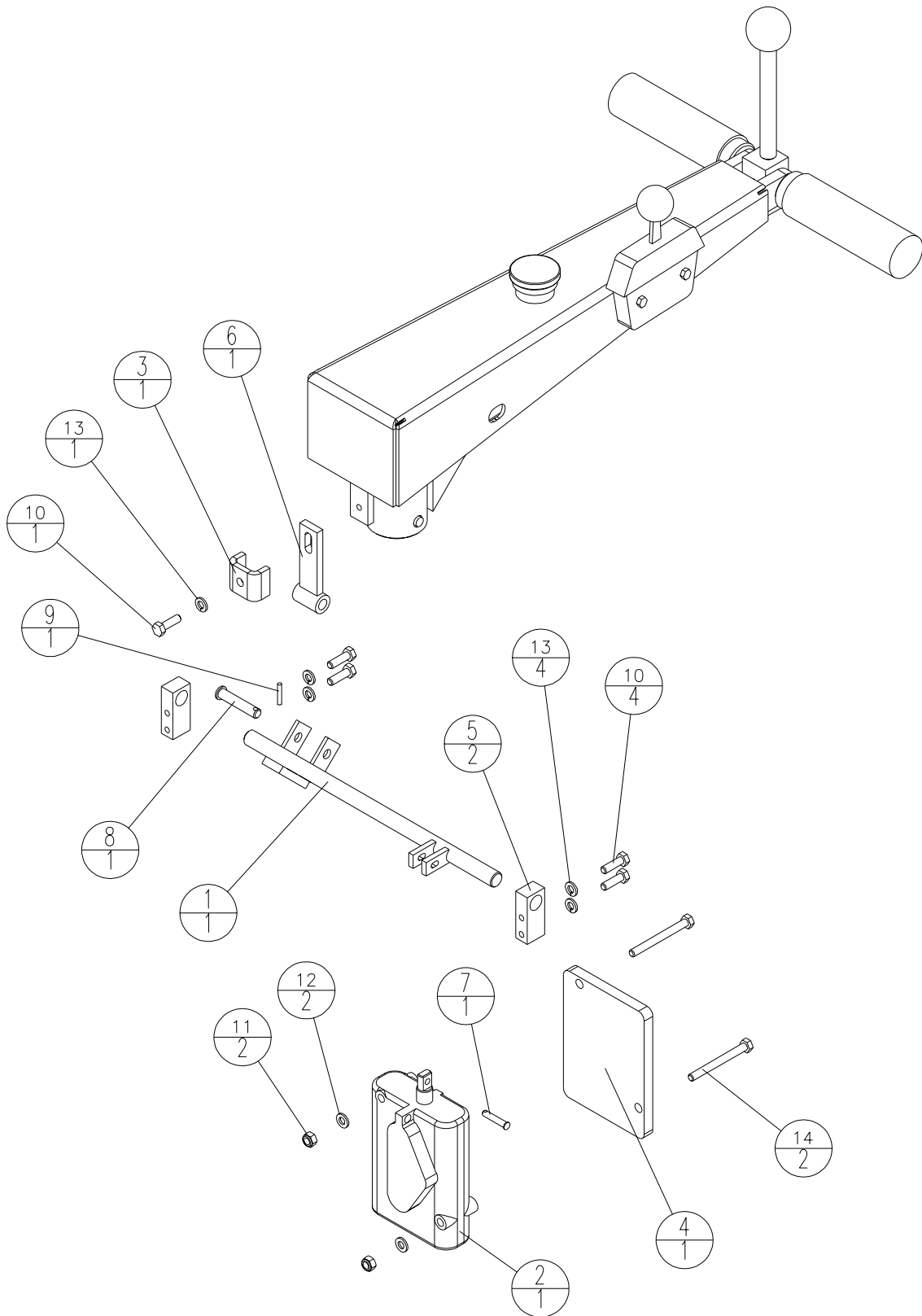
~ NOT SHOWN

* LOCTITE

AS REQUIRED

PARTS LIST

Control Linkage Assembly



PARTS LIST

Control Linkage Assembly

ITEM	PART NO.	DESCRIPTION	QTY
1	36937-2	WELDMENT PIVOT	1
2	36950	VALVE DIRECTIONAL CONTROL MOTOR HYD	1
3	36964-2	BRACKET CONNECTOR	1
4	36965-2	VALVE PLATE DRIVE	1
5	36967-2	PIVOT BLOCK	2
6	36970-2	WELDMENT CONNECTOR	1
7	36978	PIN CLEVIS 3/16 x 1	1
8	36980	PIN CLEVIS PIVOT	1
9	80424	PINCT 1/8 X 3/4 ZN	1
10 *	80758	HHCS M6-1 X 20 8.8 ZN	5
11	80851	NUTNY M6-1 ZN	2
12	80856	WSHR FLAT M6 X 12 ZN	2
13	80860	WSHRL M6 SPLIT ZN	5
14	81111	HHCS M6-1 X 60 8.8 ZN	2

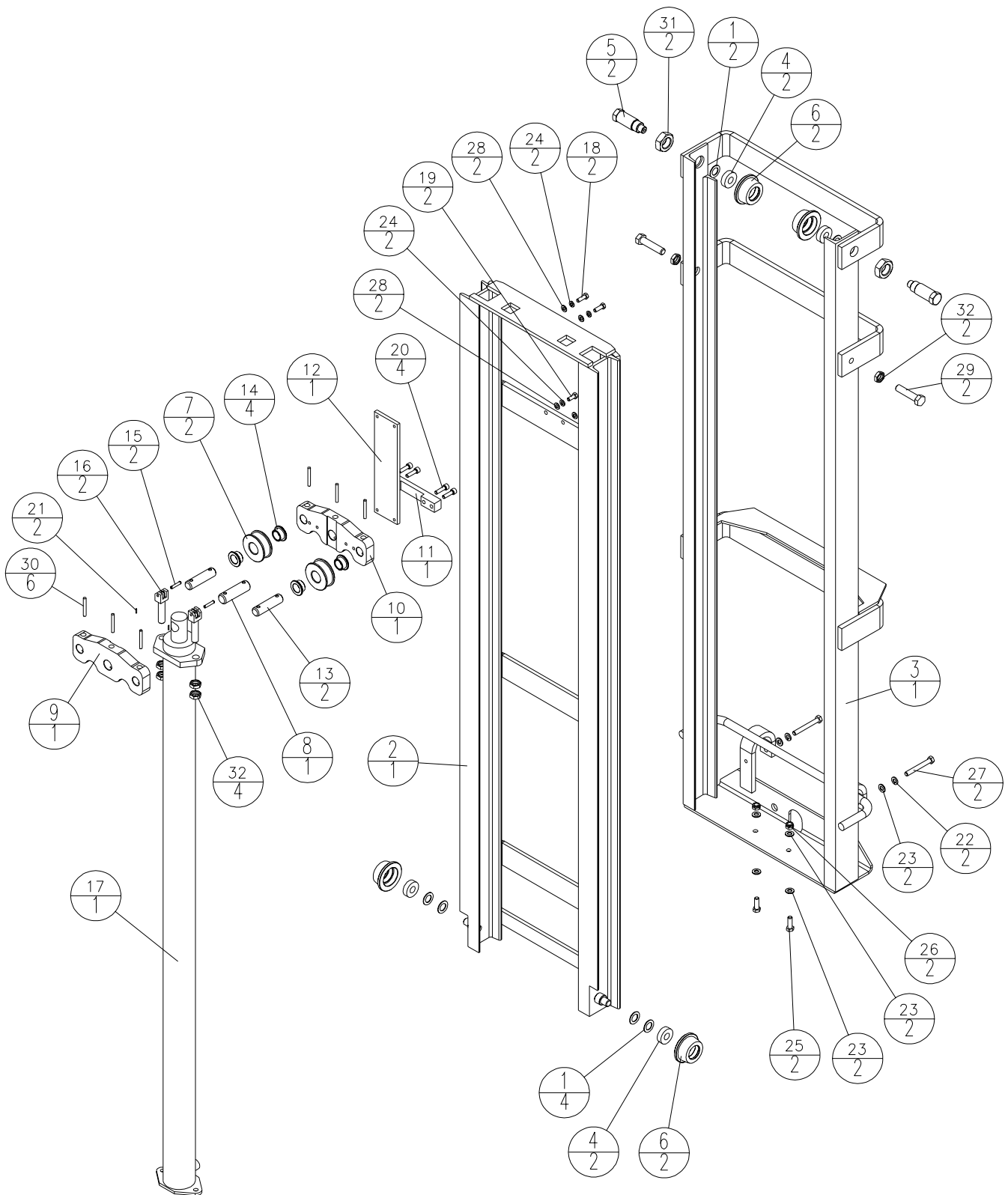
~ NOT SHOWN

* LOCTITE

AS REQUIRED

PARTS LIST

Mast Assembly



PARTS LIST

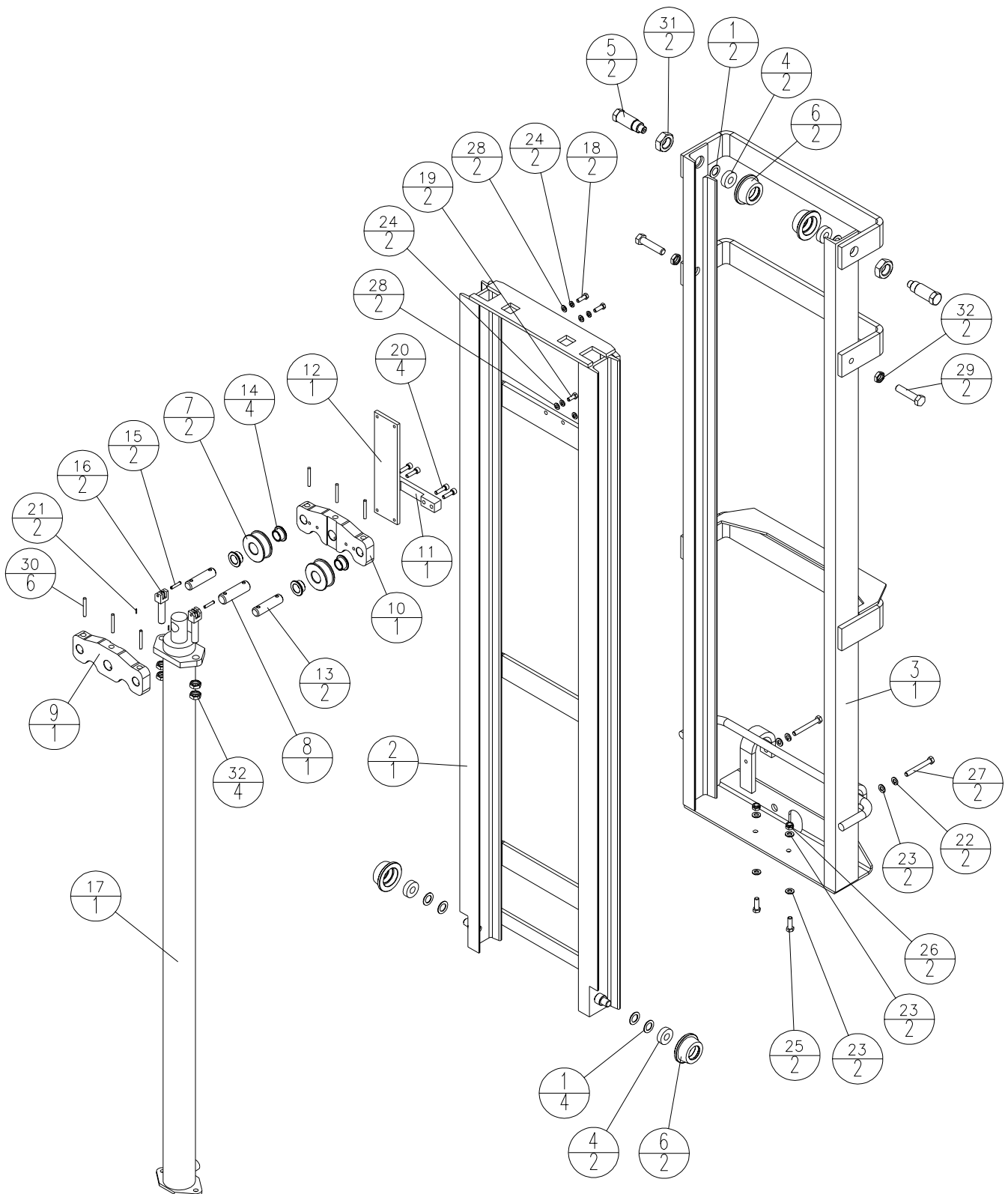
Mast Assembly

ITEM	PART NO.	DESCRIPTION	QTY
1 #	32323	WASHER THRUST 3/4 BORE	6
2	36791-2	WELDMENT COLUMN INNER	1
3	36800-2	WELDMENT COLUMN OUTER 9'6"	1
4	36826	BEARING BALL 17MM X 40MM	4
5	36827	SHAFT ADJUSTING ROLLER	2
6	36829	ROLLER GUIDE	4
7	36869	ROLLER CHAIN	2
8	36870	PIN CYLINDER	1
9	36871-2	PLATE CYLINDER	1
10	36872-2	PLATE CYLINDER GUIDE	1
11	36873-2	BRACKET GUIDE CYLINDER	1
12	36874	PLATE GUIDE CYLINDER	1
13	36875	PIN ROLLER CHAIN	2
14	36876	BUSHING ROLLER PIN	4
15	36877	PIN CHAIN LINK	2
16	36879	ANCHOR CHAIN ADJUSTABLE	2
17	36901	CYLINDER MAST 9'6"	1
18 *	80087	HHCS M8-1.25 X 25 8.8 ZN	2
19 *	80406	HHCS M8-1.25 X 20 8.8 ZN	2
20 *	80711	SHCS M8-1.25 X 30 12.9 BLK	4
21	80787	PINCT 5/64 X 1/2 ZN	2
22	80804	WSHRL M10 SPLIT ZN	2
23	80806	WSHR FLAT M10 X 20 ZN	6
24	80812	WSHRL M8 SPLIT ZN	4
25	80815	HHCS M10-1.5 X 30 8.8 ZN	2
26	80833	NUTNY M10-1.5 ZN	2
27 *	80840	HHCS M10-1.5 X 80 8.8 ZN	2
28	80857	WSHR FLAT M8 X 16 ZN	4
29	81057	HHCS M16-2 X 70 8.8 ZN	2
30	81103	PINSP 1/4 X 2 ZN	6
31	81104	NTFXJ 1-1/8 GR2 ZN	2
32	81105	NUTXJ M16-2 ZN	6

~ NOT SHOWN
 * LOCTITE
 # AS REQUIRED

PARTS LIST

Mast Assembly



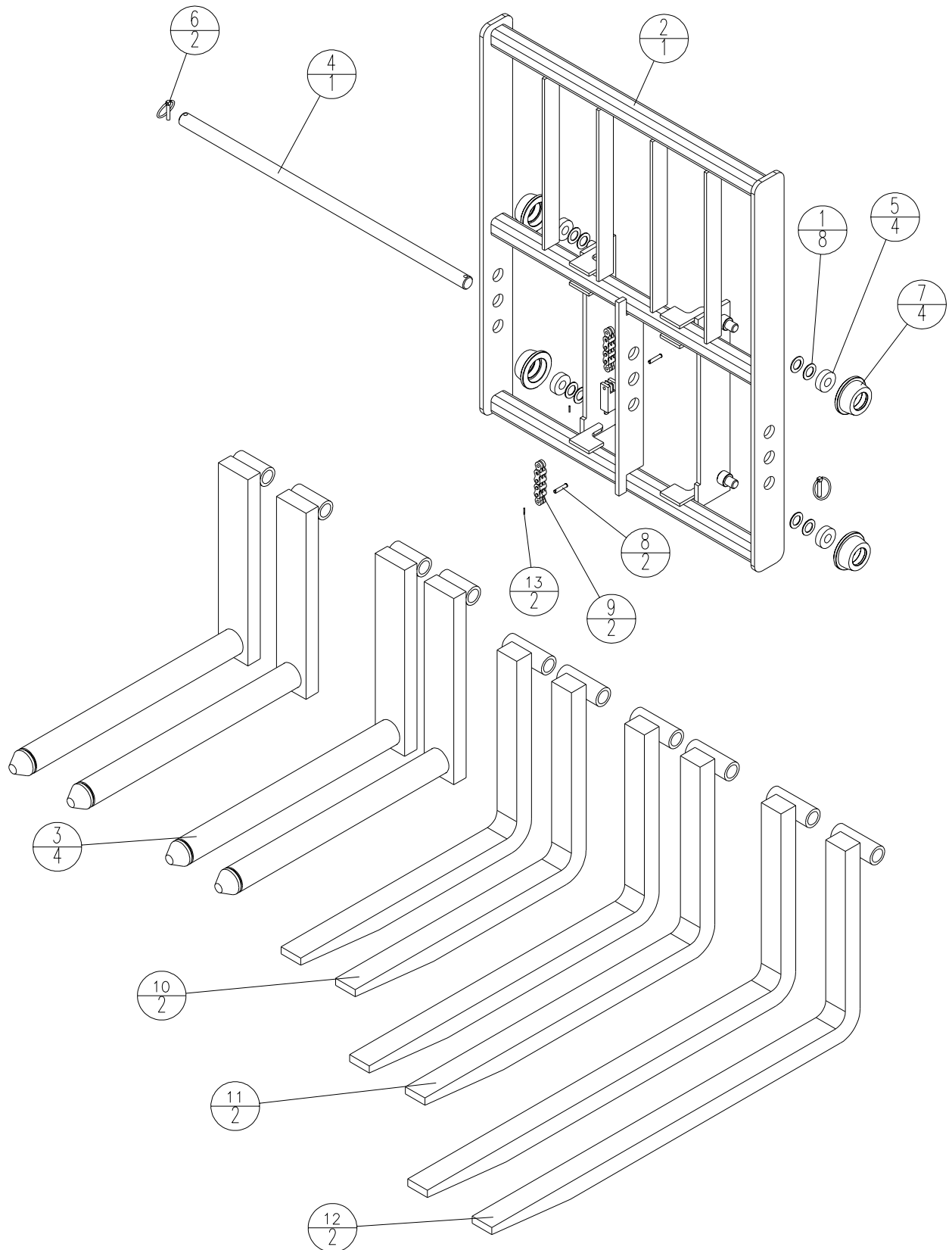
PARTS LIST

Mast Assembly

ITEM	PART NO.	DESCRIPTION	QTY
^	36882-2	WELDMENT COLUMN OUTER 8'6"	1
^	36885-2	WELDMENT COLUMN INNER 8'6"	1
^	36902	CYLINDER MAST 8'6"	1
^	36890-2	WELDMENT COLUMN OUTER 7'6"	1
^	36893-2	WELDMENT COLUMN INNER 7'6"	1
^	36903	CYLINDER MAST 7'6"	1

PARTS LIST

Lift Frame Assembly



PARTS LIST

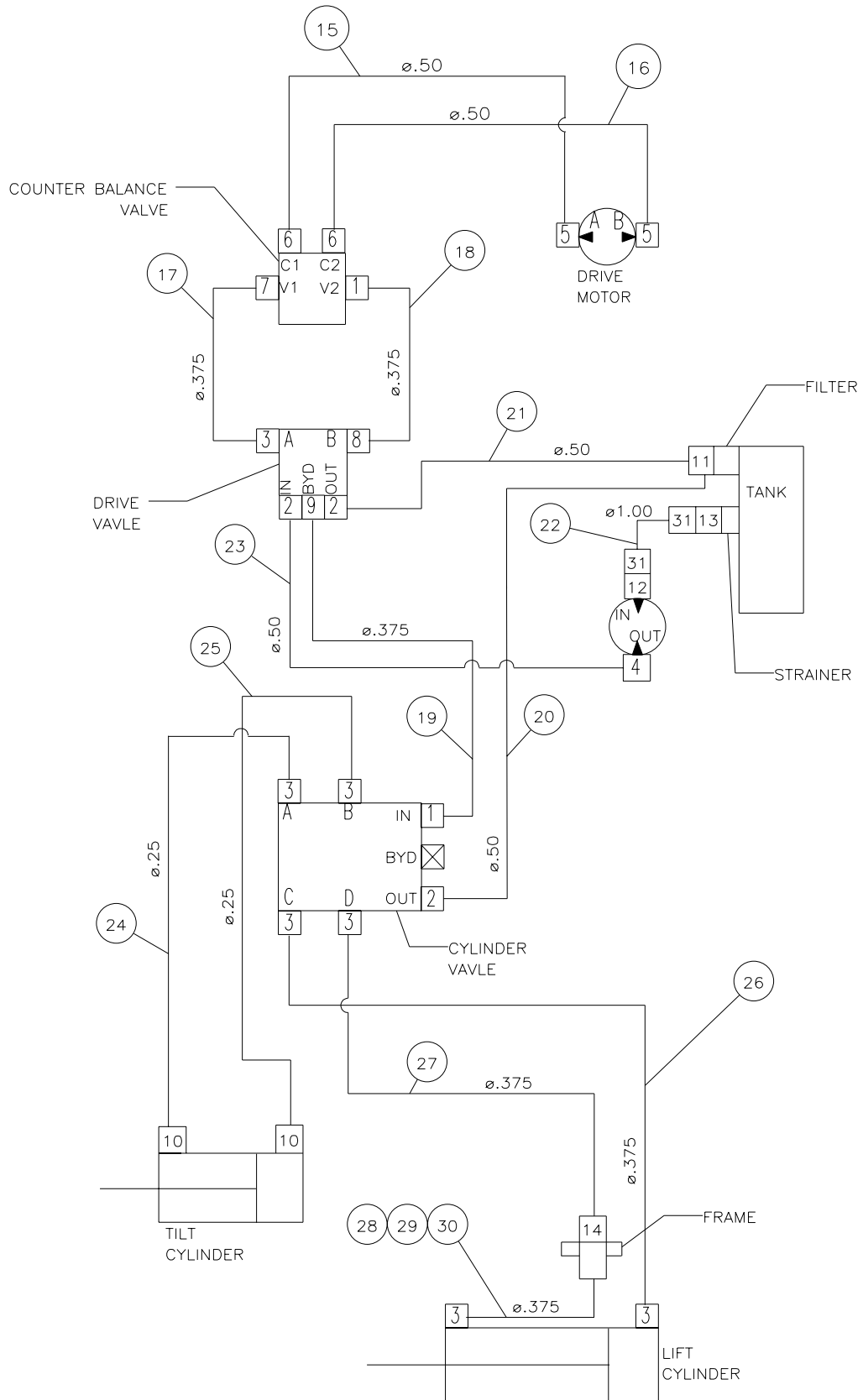
Lift Frame Assembly

ITEM	PART NO.	DESCRIPTION	QTY
1 #	32323	WASHER THRUST 3/4 BORE	8
2	36811-2	WELDMENT FRAME LIFT	1
3	36819-2	WELDMENT FORK ROUND	4
4	36825	SHAFT FORK	1
5	36826	BEARING BALL 17MM X 40MM	4
6	36828	PIN LINCH 1/4 DIA	2
7	36829	ROLLER GUIDE	4
8	36877	PIN CHAIN LINK	2
9	36878	CHAIN LIFT 9'6" MAST	2
10	36955	FORK SQUARE PALLET 22"	2
11	36956	FORK SQUARE PALLET 28"	2
12	36957	FORK SQUARE PALLET 36"	2
13	80787	PINCT 5/64 X 1/2 ZN	2
~	36881	CHAIN LIFT 8'6" MAST	1
~	36889	CHAIN LIFT 7'6" MAST	1

~ NOT SHOWN
* LOCTITE
AS REQUIRED

PARTS LIST

Hydraulic Piping Schematic



PARTS LIST

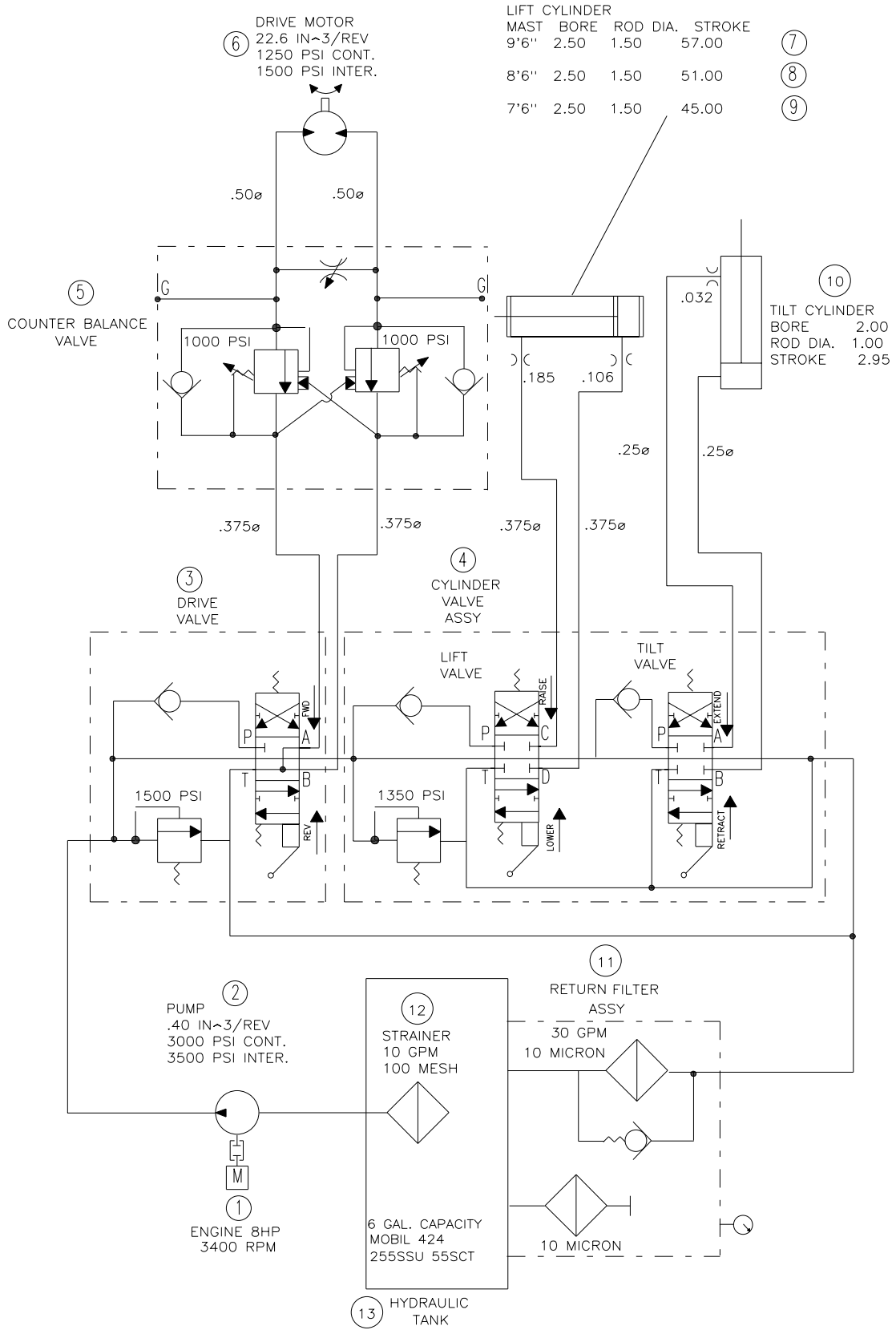
Hydraulic Piping Schematic

ITEM	PART NO.	DESCRIPTION	QYT
1	45063	FTG HYD OFS ST 6 8	2
2	46579	FTG HYD OFS ST 8 8	3
3	46679	FTG HYD OFS 6 6	7
4	46582	FTG HYD OFS 90 8 10	1
5	46676	FTG HYD OFS 45 8 10	2
6	46580	FTG HYD OFS 45 8 8	2
7	45060	FTG HYD OFS 90 6 8	1
8	45009	FTG HYD OFS 90 6 6	1
9	45085	FTG HYD OFS 45 6 8	1
10	46686	FTG HYD OFS ST 4 6	2
11	45083	FTG HYD OFS T 8 8	1
12	46976	FTG HYD HB 45 1.0	1
13	46829	FTG HYD HB 90 1.0	1
14	45086	FTG HYD OFS BH 6 6	1
15	47549	HOSE HYD 8 ST8 ST8 29.00"	1
16	47550	HOSE HYD 8 ST8 ST8 25.00"	1
17	47551	HOSE HYD 6 ST6 EL456 12.25"	1
18	47552	HOSE HYD 6 ST6 ST6 20.50"	1
19	47553	HOSE HYD 6 ST6 EL906 11.50"	1
20	47554	HOSE HYD 8 ST8 EL908 31.50"	1
21	47555	HOSE HYD 8 ST8 EL908 17.50"	1
22	47556	HOSE HYD 16 11.50"	1
23	47557	HOSE HYD 8 ST8 EL458 31.00"	1
24	47558	HOSE HYD 4 ST6 EL454 16.50"	1
25	47559	HOSE HYD 4 ST6 EL904 21.00"	1
26	47560	HOSE HYD 6 ST6 EL456 38.00"	1
27	47561	HOSE HYD 6 ST6 EL456 37.50"	1
28	47562	HOSE HYD 6 ST6 EL906 57.50"	1
29	47567	HOSE HYD 6 ST6 EL906 45.50"	1
30	47568	HOSE HYD 6 ST6 EL906 51.50"	1
31	46595	CLAMP HOSE 1.00"	2

- 1) 47562 HOSE HYD 6 ST6 EL906 57.50" USED WITH 9'6" MAST OPTION
 2) 47567 HOSE HYD 6 ST6 EL906 45.50" USED WITH 7'6" MAST OPTION
 3) 47568 HOSE HYD 6 ST6 EL906 51.50" USED WITH 8'6" MAST OPTION

PARTS LIST

Hydraulic System Schematic



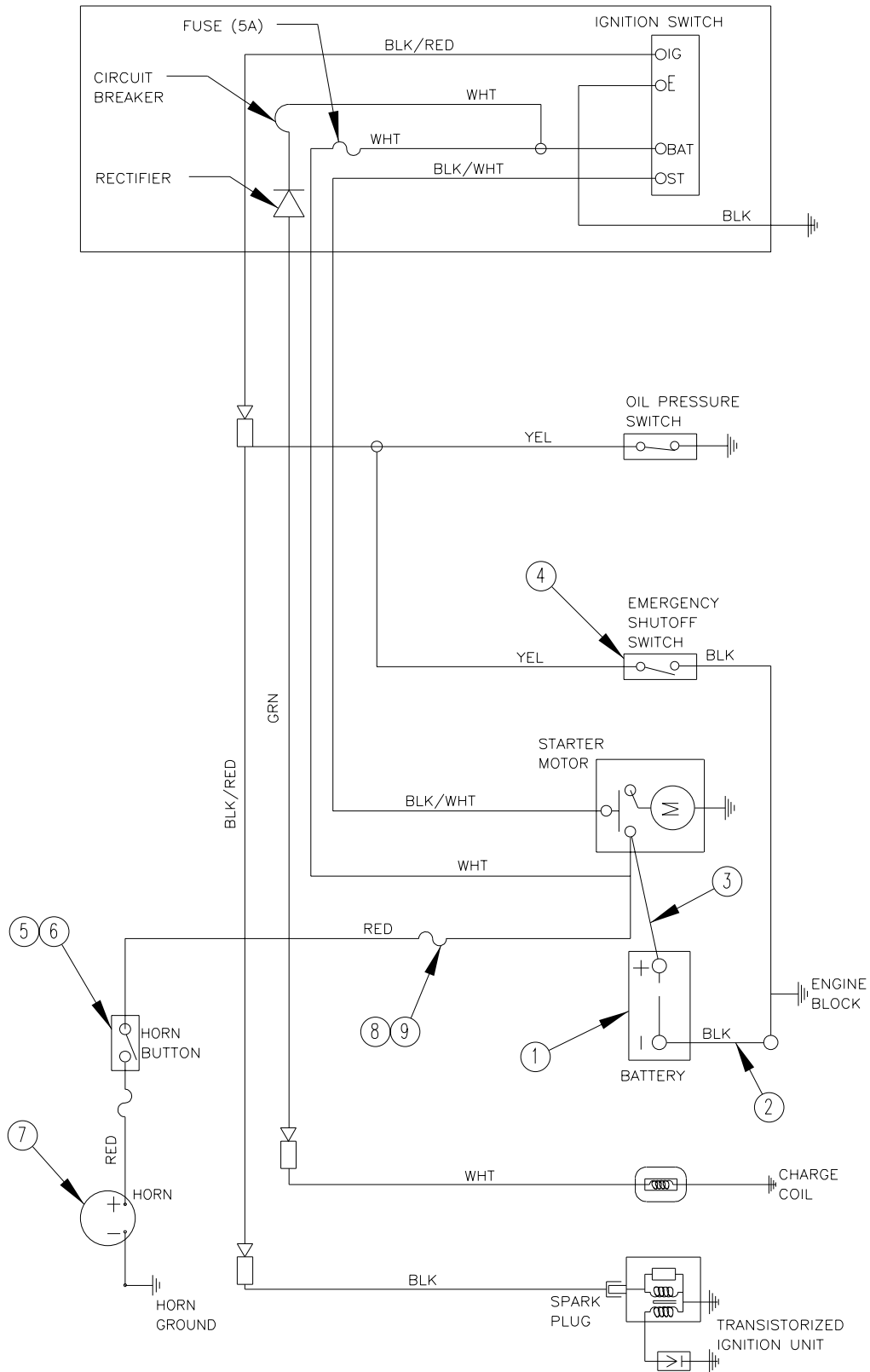
PARTS LIST

Hydraulic System Schematic

ITEM	PART NO.	DESCRIPTION	QTY
1	30225	ENGINE 8 HP	1
2	39663	PUMP GEAR HYD .4 CIR 3500 PSI	1
3	36950	VALVE HYD DIRECTIONAL MOTOR 3000 PSI	1
4	36951	VALVE HYD DIRECTIONAL CYLINDER 3000 PSI	1
5	36977	VALVE HYD COUNTER BALANCE ASM	1
	36985	VALVE HYD NEEDLE	-
	36986	VALVE HYD COUNTER BALANCE CARTRIDGE	-
6	36949	MOTOR HYD GEROTOR 22.6 CIR 1250 PSI	1
7	36901	CYLINDER HYD 2.50IN 57IN	1
8	36902	CYLINDER HYD 2.50IN 51IN	1
9	36903	CYLINDER HYD 2.50IN 45IN	1
10	36904	CYLINDER HYD 2.00IN 2.95IN	1
11	36931	FILTER HYD 10M 20G IN-TANK	1
	36987	GAGE HYD FILTER INDICATOR	-
	36988	FILTER HYD ELEMENT 10M	-
	36989	FILTER AIR ELEMENT 10M BREATHER	-
12	39088	FILTER HYD 100 MESH STRAINER	1
13	36896	WELD TANK HYDRAULIC	1

PARTS LIST

Electrical Wiring Schematic



PARTS LIST

Electrical Wiring Schematic

ITEM	PART NO.	DESCRIPTION	QTY
1	32321	BATTERY 12V 165 CCA	1
2	48331	CABLE BATTERY BLK	1
3	36960	CABLE BATTERY RED	1
4	36991	SWITCH E-STOP NO CONTACT	1
5	37079	BUTTON SWITCH MOMENTARY	1
6	39612	SWITCH MOMENTARY PUSH	1
7	38667	HORN 12V	1
8	37076	FUSE 10A	1
9	37077	HOLDER FUSE IN-LINE	1
^	36992	HARNESS WIRE	1

^ NOT SHOWN
* LOCTITE
AS REQUIRED

PARTS LIST

Decal Identification

⚠ CAUTION

When equipment is not in use turn the fuel valve to the OFF position

55269

⚠ CAUTION

MOBIL 424

HYDRAULIC FLUID ONLY.

Check when fluid is cold and unit is level.

55422

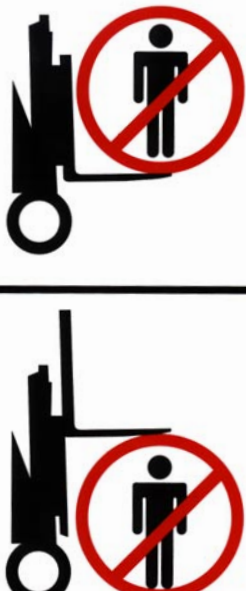
⚠ CAUTION

HOT SURFACES

MUFFLER, ENGINE, AND ENGINE SHROUD MAY BE HOT
ALLOW ALL COMPONENTS IN THE ENGINE COMPARTMENT TO COOL BEFORE PERFORMING ANY SERVICE WORK


55398

⚠ WARNING




55467

LOWER




RAISE




55468

FORWARD




STOP




REVERSE

55470

TILT FWD



TILT RWD



55469

PARTS LIST

Decal Identification

Item No.	Part No.	Part Description	Qty	Decal Location
1	55269	Decal Fuel Shut Off	1	Top of Engine Fuel Tank
2	55398	Decal Warning Hot Surfaces	1	Rear Frame at Muffler
3	55422	Decal Hydraulic Fluid Mobil 424	1	Hydraulic Tank
4	55467	Decal Warning No Riders	1	Lift Cylinder Facing Forks
5	55468	Decal Control Lift	1	On Hood RHS Control Lever
6	55469	Decal Control Tilt	1	Hood LHS Control Lever
7	55470	Decal Control Forward / Reverse	1	Steering Arm Forward of Control Lever
8	55471	Decal Caution Instruction LJ100	1	Hood Opposite Control levers
9	55472	Decal Warning Instruction LJ100	1	Hood Centered Above Handle
10	55473	Decal Warning Load Low Carry	1	Top Brace of Mast Facing Operator
11	55474	Decal Warning Hands Clear	1	Top of Lift Gate Facing Forks
12	55479	Decal Horn E-Stop Throttle	1	Steering Arm Below E-Stop
13	55480	Decal Valve Counterbalance	1	Counterbalance Valve
14	55481	Decal Parking Latch	1	Rear Frame at Latching Position

PARTS LIST

Decal Identification

CAUTION

1. Always follow the instructions in the operator manual.
2. Keep all guards and shields in place.
3. Wait for all movement to stop before servicing machine.
4. Keep hands, feet, and clothing away from power driven parts.
5. Keep off of equipment unless seat or platform for operation and observation is provided.
6. Keep all others off of equipment.
7. Make certain everyone is clear of machine before starting engine or operation.

55471

WARNING

1. Look out for pedestrians, other vehicles or obstructions.
2. Transport load only in lowered position.
3. Travel or tilt with caution when load is raised.
4. Do not exceed rated operating capacity.

55472

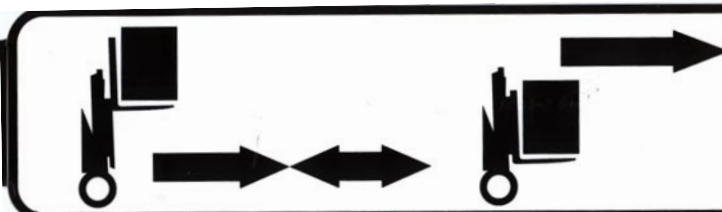


RUN



TOW

55480

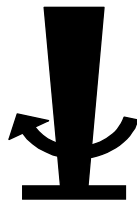


WARNING

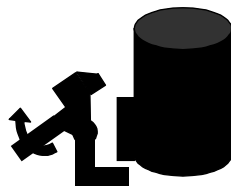
CARRY LOAD LOW

55473

PARKING LATCH PROCEDURE

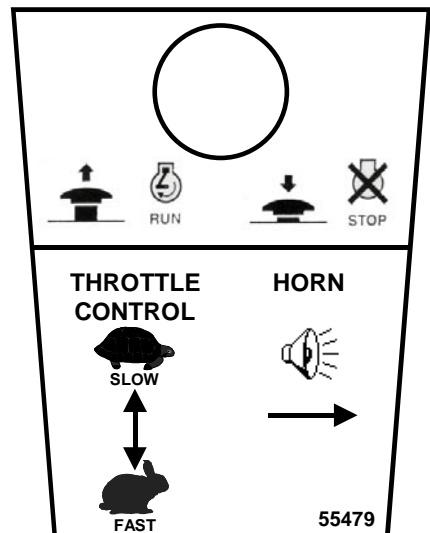


TURN STEERING
ARM TO LEFT



FLIP LATCH
TO LOCK ARM

55481



55479

PARTS LIST

Decal Identification

Item No.	Part No.	Part Description	Qty	Decal Location
1	55269	Decal Fuel Shut Off	1	Top of Engine Fuel Tank
2	55398	Decal Warning Hot Surfaces	1	Rear Frame at Muffler
3	55422	Decal Hydraulic Fluid Mobil 424	1	Hydraulic Tank
4	55467	Decal Warning No Riders	1	Lift Cylinder Facing Forks
5	55468	Decal Control Lift	1	On Hood RHS Control Lever
6	55469	Decal Control Tilt	1	Hood LHS Control Lever
7	55470	Decal Control Forward / Reverse	1	Steering Arm Forward of Control Lever
8	55471	Decal Caution Instruction LJ100	1	Hood Opposite Control levers
9	55472	Decal Warning Instruction LJ100	1	Hood Centered Above Handle
10	55473	Decal Warning Load Low Carry	1	Top Brace of Mast Facing Operator
11	55474	Decal Warning Hands Clear	1	Top of Lift Gate Facing Forks
12	55479	Decal Horn E-Stop Throttle	1	Steering Arm Below E-Stop
13	55480	Decal Valve Counterbalance	1	Counterbalance Valve
14	55481	Decal Parking Latch	1	Rear Frame at Latching Position

