

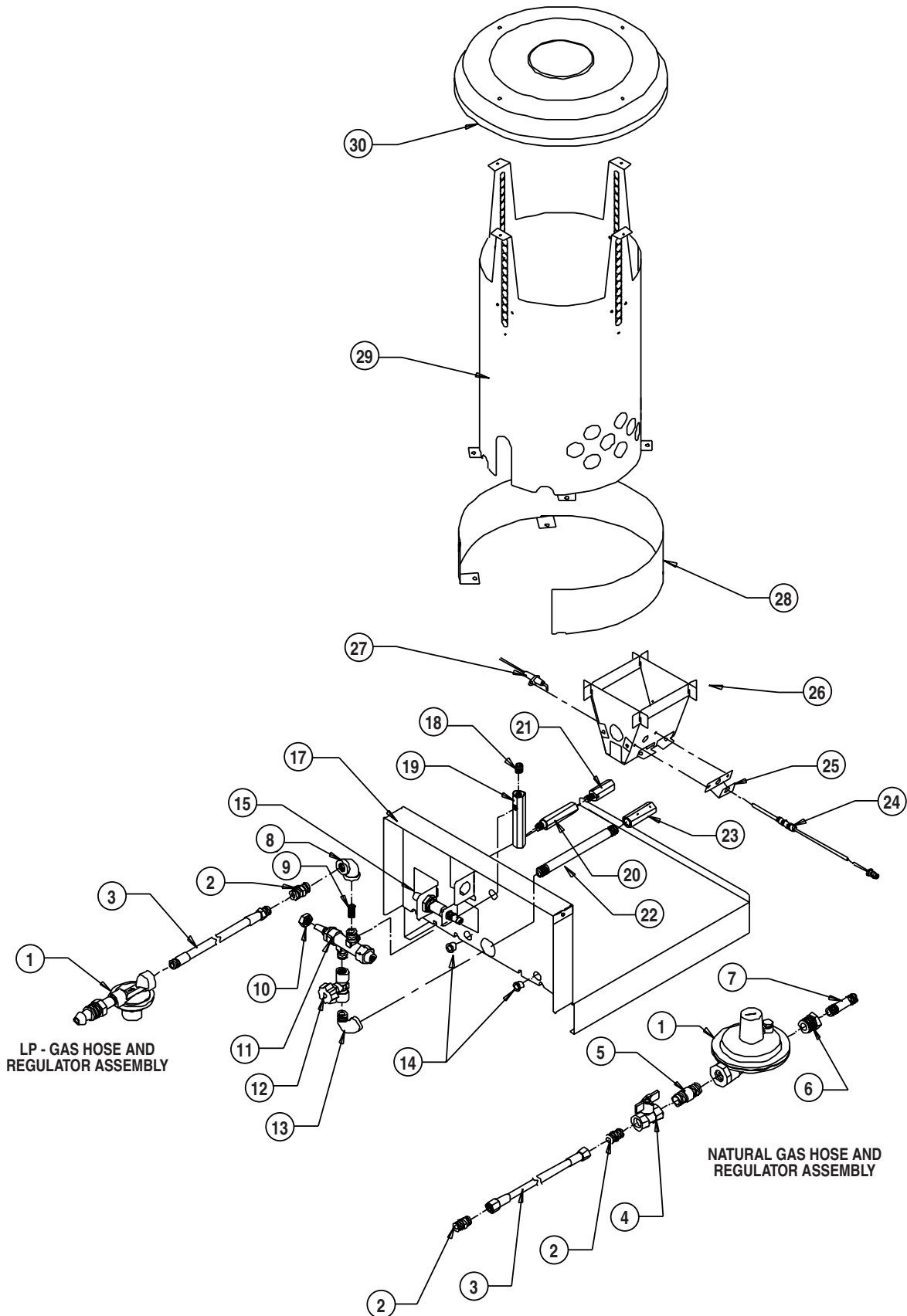


***WORKMAN &  
NORSEMAN***

***Convection Heaters***

# Convection Heaters

## MODELS CV100 & CV250



# Convection Heaters

## PARTS IDENTIFICATION

Item	Description	Model	
		CV100	CV250
1	Regulator (LP Gas)	-----550-21722-----	
	Regulator (Natural Gas)	-----400-20218-----	
2	Adapter, Hose, 1/4 NPT x 9/16-18 (LP Gas)	-----310-01098-----	
	Adapter, Hose, 1/2 NPT x 1/2 NPS (Natural Gas)	-----310-02894*-----	
3	Hose, 1/4 in. x 10 ft. (LP Gas)	-----400-20496-----	
	Hose, 1/2 in. x 10 ft. (Natural Gas)	-----400-20243*-----	
4	Valve, Manual Shut Off (Natural Gas)	-----130-05548-----	
5	Nipple, 1/2 in. x 1 1/2 in. (Natural Gas)	-----130-02420-----	
6	Bushing, 1/2 in. x 1/4 in. (Natural Gas)	-----130-01519-----	
7	Nipple, 1/4 in. x 2 in. (Natural Gas)	-----130-03071-----	
8	Ell	-----130-01300-----	
9	Screen, Inlet	-----130-20391-----	
10	Nut, Jam	-----310-20185-----	
11	Valve, Pilot Safety	-----130-07966-----	
12	Valve, Main Burner	-----130-20229-----	
	Valve, Main Burner (CV250 Natural Gas)	-----130-09698-----	
13	Ell, Street, 1/4 NPT	-----130-01425-----	
14	Bushing	-----120-04817-----	
15	Igniter, Piezo	-----120-20280-----	
17	Base - CV100	225-20202	--
	Base - CV250	--	225-20203
18	Plug, 1/8 NPT	-----130-09271-----	
19	Connector, Pilot Line, Gas Control Outlet	-----310-20454-----	
20	Connector, Pilot Line for Pilot Head, Inlet	-----310-20455-----	
21	Orifice, Pilot (LP-Gas)	-----400-20212-----	
	Orifice, Pilot (Natural Gas)	-----400-20213-----	
22	Manifold, 1/4 NPT x 6 in.	-----130-20228-----	
23	Orifice, Burner - CV100 (LP Gas)	310-20187	--
	Orifice, Burner - CV100 (Natural Gas)	310-20186	--
	Orifice, Burner - CV250 (LP Gas)	--	310-20189
	Orifice, Burner - CV250 (Natural Gas)	--	310-20188
24	Thermocouple, 18 in.	-----120-03555-----	
25	Bracket, Thermocouple	-----240-20194-----	
26	Burner - CV100	400-20206	--
	Burner - CV250	--	400-20231
27	Electrode with Wire (Piezo)	-----120-20184-----	
28	Ring, Heat Shield - CV100 AGA Certified Models	225-20305	--
	Ring, Heat Shield - CV250 AGA Certified Models	--	225-20255
29	Barrel - CV100	410-20210	--
	Barrel - CV250	--	410-20230
30	Top - CV100	225-20078	--
	Top - CV250	--	225-20064

Miscellaneous Components (Not Illustrated)	
Description	Part Number
Screw, #8 x 3/8	130-07288

\* Optional Accessories for Natural Gas Units

NOTE: The complete barrel assembly may be ordered. Order part #500-20211 for CV100 and #500-20235 for CV250. The barrel assembly consists of items 29 and 30.