

PARTS MANUAL



Mikasa SERIES

**MODEL MVC82VH/VHW
ONE-WAY PLATE COMPACTOR
(HONDA GX160U1SM12, GX160U1SMX4,
GX160UT2QMXC, GX160UT2SMXC and
GX160UT2SCM GASOLINE ENGINES)**

Revision #4 (06/09/20)

THIS MANUAL MUST ACCOMPANY THE EQUIPMENT AT ALL TIMES.

TABLE OF CONTENTS

MVC82VH/VHW

Plate Compactor

Explanation Of Code In Remarks Column.....	4
Suggested Spare Parts	5

Compactor Component Drawings

Nameplate And Decals.....	6-7
Body Assembly.....	8-11
Vibrator Assembly	12-13
Water Tank Assembly (MVC82VHW Only)	14-15

Honda GX160 Series Engines

Cylinder Head Assembly	16-17
Cylinder Barrel Assembly	18-19
Crankcase Cover Assembly	20-21
Crankshaft Assembly.....	22-23
Piston Assembly	24-25
Camshaft Assembly.....	26-27
Recoil Starter Assembly	28-29
Fan Cover Assembly.....	30-31
Carburetor Assembly	32-33
Air Cleaner Assembly (Standard)	34-35
Air Cleaner Assembly (Cyclone Type 1)	36-37
Air Cleaner Assembly (Cyclone Type 2)	38-39
Muffler Assembly	40-41
Fuel Tank Assembly.....	42-43
Flywheel Assembly	44-45
Ignition Coil Assembly.....	46-47
Control Assembly	48-49
Decals Assembly	50-51

NOTICE

Specifications and part numbers are subject to change without notice.

EXPLANATION OF CODE IN REMARKS COLUMN

The following section explains the different symbols and remarks used in the Parts section of this manual. Use the help numbers found on the back page of the manual if there are any questions.

NOTICE

The contents and part numbers listed in the parts section are subject to change **without notice**. Multiquip does not guarantee the availability of the parts listed.

SAMPLE PARTS LIST

NO.	PART NO.	PART NAME	QTY.	REMARKS
1	12345	BOLT	1	INCLUDES ITEMS W/%
2%		WASHER, 1/4 IN.		NOT SOLD SEPARATELY
2%	12347	WASHER, 3/8 IN. ...	1	MQ-45T ONLY
3	12348	HOSE	A/R	MAKE LOCALLY
4	12349	BEARING	1	S/N 2345B AND ABOVE

NO. Column

Unique Symbols — All items with same unique symbol (@, #, +, %, or >) in the number column belong to the same assembly or kit, which is indicated by a note in the “Remarks” column.

Duplicate Item Numbers — Duplicate numbers indicate multiple part numbers, which are in effect for the same general item, such as different size saw blade guards in use or a part that has been updated on newer versions of the same machine.

NOTICE

When ordering a part that has more than one item number listed, check the remarks column for help in determining the proper part to order.

PART NO. Column

Numbers Used — Part numbers can be indicated by a number, a blank entry, or TBD.

TBD (To Be Determined) is generally used to show a part that has not been assigned a formal part number at the time of publication.

A blank entry generally indicates that the item is not sold separately or is not sold by Multiquip. Other entries will be clarified in the “Remarks” Column.

QTY. Column

Numbers Used — Item quantity can be indicated by a number, a blank entry, or A/R.

A/R (As Required) is generally used for hoses or other parts that are sold in bulk and cut to length.

A blank entry generally indicates that the item is not sold separately. Other entries will be clarified in the “Remarks” Column.

REMARKS Column

Some of the most common notes found in the “Remarks” Column are listed below. Other additional notes needed to describe the item can also be shown.

Assembly/Kit — All items on the parts list with the same unique symbol will be included when this item is purchased.

Indicated by:

“INCLUDES ITEMS W/(unique symbol)”

Serial Number Break — Used to list an effective serial number range where a particular part is used.

Indicated by:

“S/N XXXXX AND BELOW”

“S/N XXXX AND ABOVE”

“S/N XXXX TO S/N XXX”

Specific Model Number Use — Indicates that the part is used only with the specific model number or model number variant listed. It can also be used to show a part is NOT used on a specific model or model number variant.

Indicated by:

“XXXXX ONLY”

“NOT USED ON XXXX”

“Make/Obtain Locally” — Indicates that the part can be purchased at any hardware shop or made out of available items. Examples include battery cables, shims, and certain washers and nuts.

“Not Sold Separately” — Indicates that an item cannot be purchased as a separate item and is either part of an assembly/kit that can be purchased, or is not available for sale through Multiquip.

SUGGESTED SPARE PARTS

MVC82VH/VHW PLATE COMPACTOR

1 to 3 units

Qty.	P/N	Description
3070100312.....	V-BELT
4939010254.....	SHOCK ABSORBER

NOTICE

Part numbers on this Suggested Spare Parts list may supersede/replace the part numbers shown in the following parts lists.

HONDA GX160U1SM12 ENGINE

1 to 3 units

Qty.	P/N	Description
39807956846.....	SPARK PLUG
128462ZH8003.....	ROPE, RECOIL STARTER
317210ZE1517.....	ELEMENT, AIR CLEANER
117620Z4H000.....	CAP, FUEL TANK
117672ZE2W01.....	FUEL FILTER, FUEL TANK

HONDA GX160U1SMX4 ENGINE

1 to 3 units

Qty.	P/N	Description
30650140480.....	SPARK PLUG
128462ZH8003.....	ROPE, RECOIL STARTER
317210ZE1517.....	ELEMENT, AIR CLEANER
117620Z4H020.....	CAP, FUEL TANK
117672Z4H000.....	FUEL FILTER, FUEL TANK

HONDA GX160UT2QMXC ENGINE

1 to 3 units

Qty.	P/N	Description
30650140480.....	SPARK PLUG
128462ZH8003.....	ROPE, RECOIL STARTER
317210ZE1517.....	ELEMENT, AIR CLEANER
117620Z4H900.....	CAP, FUEL TANK
117672Z4H000.....	FUEL FILTER, FUEL TANK

HONDA GX160UT2SMXC ENGINE

1 to 3 units

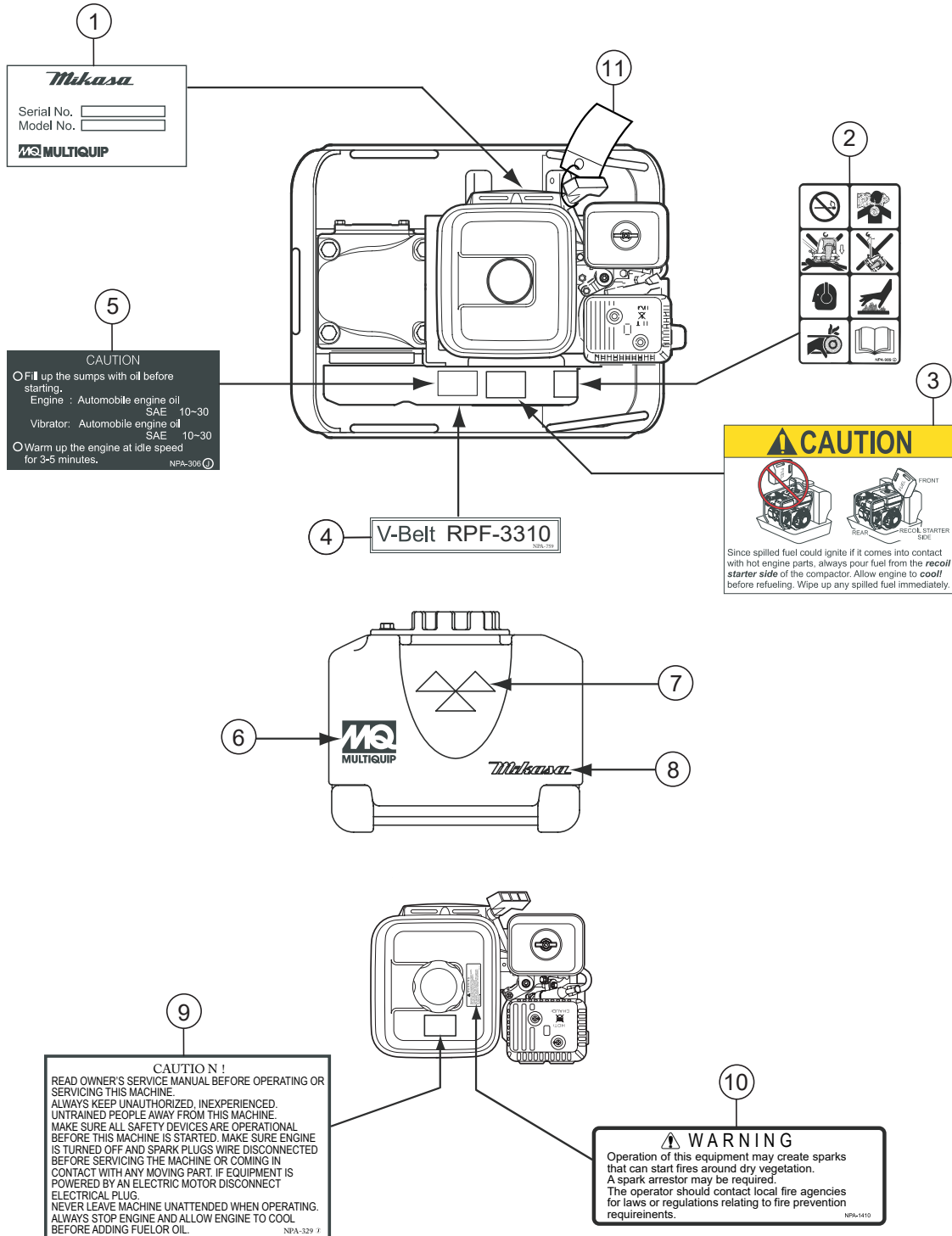
Qty.	P/N	Description
30650140480.....	SPARK PLUG
128462ZH8003.....	ROPE, RECOIL STARTER
317210ZE1517.....	ELEMENT, AIR CLEANER
117620Z4H900.....	CAP, FUEL TANK
117672Z4H000.....	FUEL FILTER, FUEL TANK

HONDA GX160UT2SCM ENGINE

1 to 3 units

Qty.	P/N	Description
30650140480.....	SPARK PLUG
128462ZH8003.....	ROPE, RECOIL STARTER
317210Z0V781.....	ELEMENT, AIR CLEANER
117620Z4H900.....	CAP, FUEL TANK
117672Z4H000.....	FUEL FILTER, FUEL TANK

NAMEPLATE AND DECALS



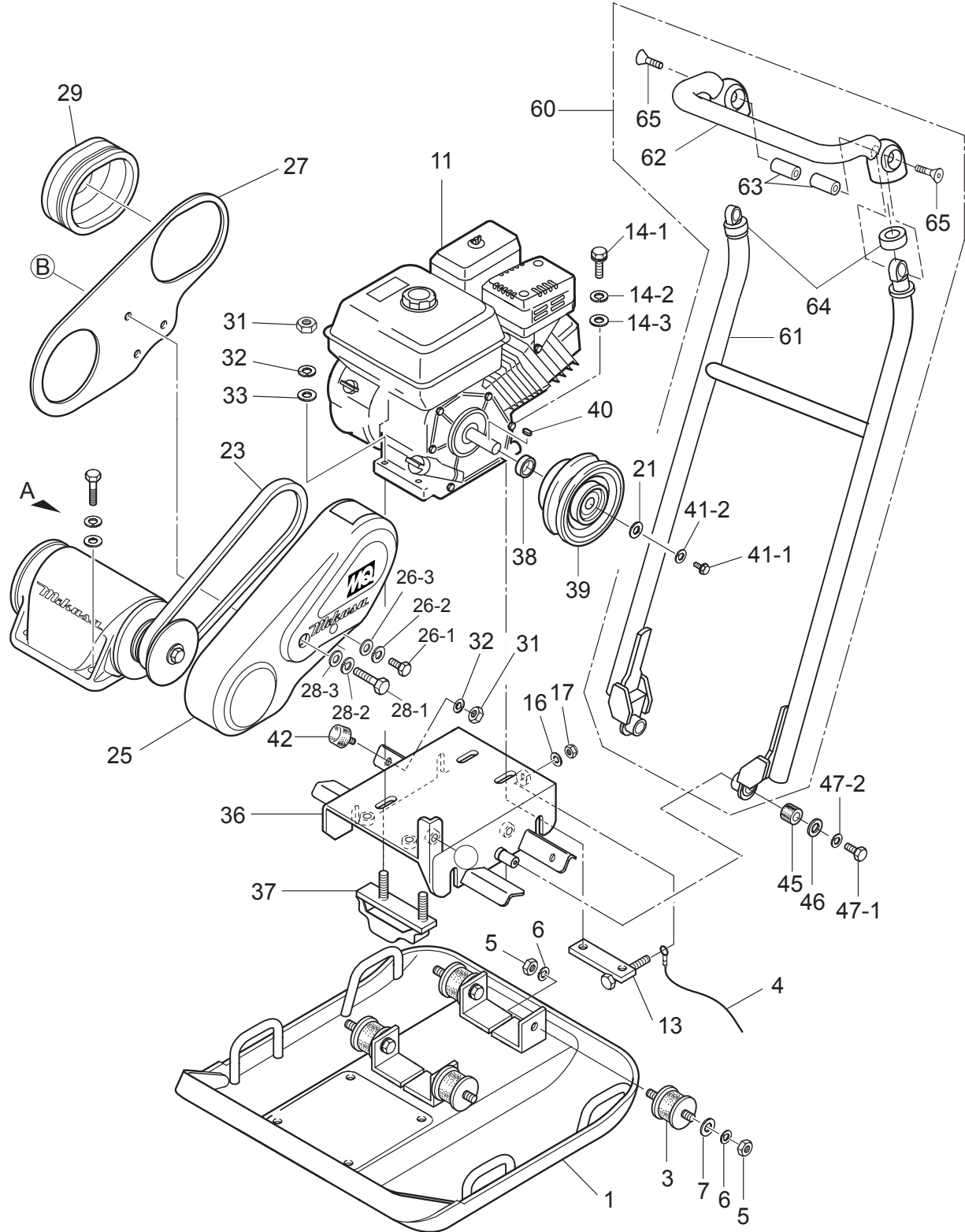
NAMEPLATE AND DECALS

NO.	PART NO.	PART NAME	QTY.	REMARKS
1		PLATE, SERIAL NO.....	1.....	CONTACT MQ PARTS DEPT.
2	920209890	DECAL, CAUTION (ICON).....	1.....	NPA-989
3	920212320	DECAL, FUEL CAUTION.....	1.....	NPA-1232
4	920207590	DECAL, V-BELT (RPF-3310)	1.....	NPA-759
5	920203060	DECAL, CAUTION.....	1.....	NPA-306
6	920201580	DECAL, MQ MARK 71X55	1	
7	920101410	DECAL, MIKASA MARK 120X60	1	
8	920105070	DECAL, MIKASA MARK 125MM	1	
9	920203290	DECAL, CAUTION.....	1.....	NPA-329
10	920214100	DECAL, ENGINE FIRE WARNING.....	1.....	NPA-1410
11	920200870	DECAL, WITHOUT ENGINE OIL.....	1.....	NPA-87

NOTICE

- ◆ GX160U1SM12
- ◇ GX160U1SMX4
- ▷ GX160UT2QMXC
- ♣ GX160UT2SMXC
- ♣ GX160UT2SCM

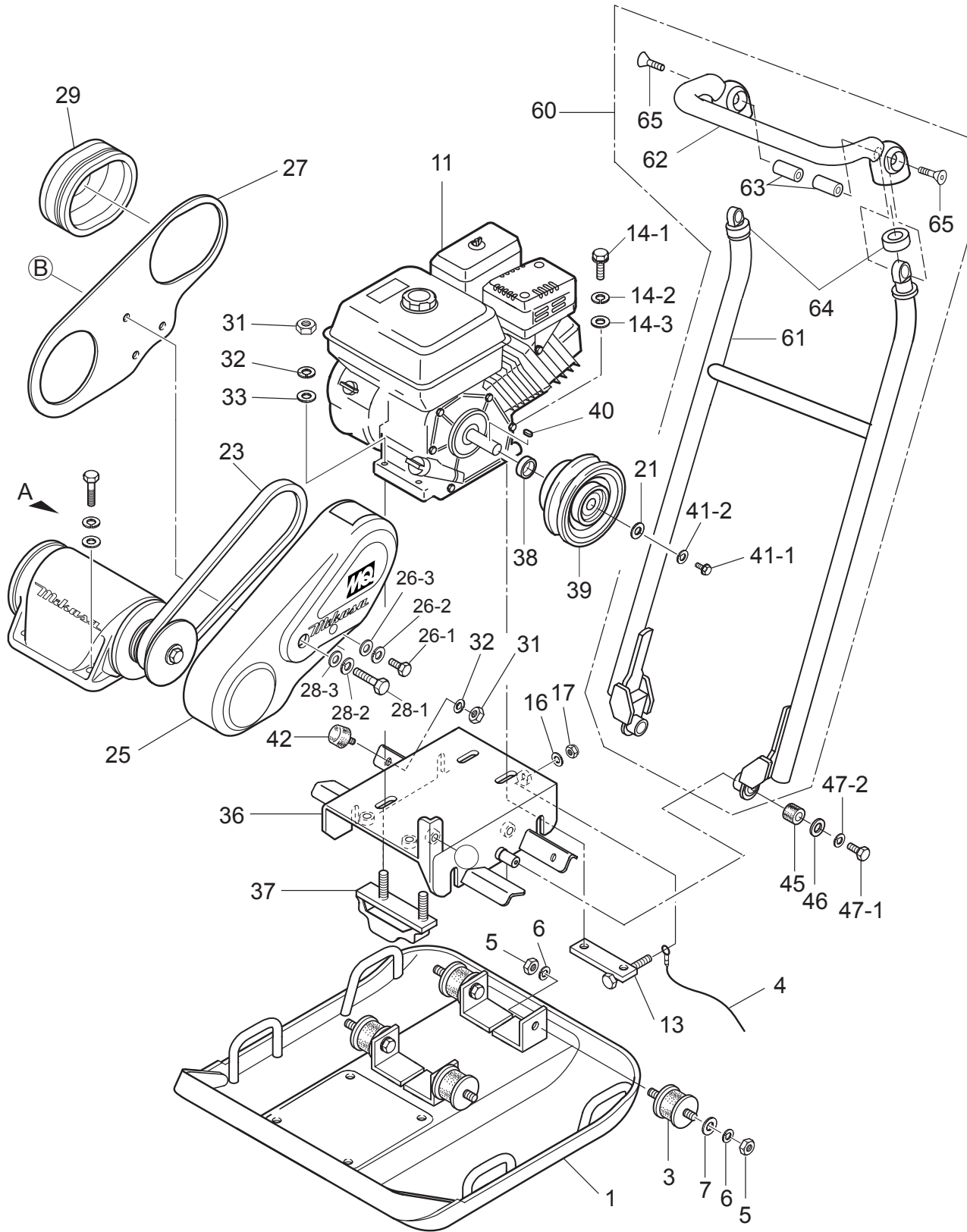
BODY ASSY.



BODY ASSY.

<u>NO.</u>	<u>PART NO.</u>	<u>PART NAME</u>	<u>QTY.</u>	<u>REMARKS</u>
1	419119550	VIB. PLATE 570X450	1	
3	939010254	SHOCK ABSORBER D45H41	4	
4	959404350	EARTH WIRE	1	
5	020310080	NUT M10	8	
6	030210250	WASHER, LOCK M10	8	
7	031110160	WASHER, FLAT M10	4	
11	912216004	ENGINE ASSY., GX160U1SM12.....	1.....	NO LONGER AVAILABLE
11	912216010	ENGINE ASSY., GX160U1SMX4	1	
11	912216021	ENGINE ASSY., GX160UT2QMXC	1	
11	912216022	ENGINE ASSY., GX160UT2SMXC	1	
11	912216023	ENGINE ASSY., GX160UT2SCM	1	
13	413436870	ENGINE NUT, REAR	1	
14-1	001220840	BOLT 8X40	2	
14-2	030208200	WASHER, LOCK M8	2	
14-3	0401450080	WASHER, FLAT M8.....	2.....	REPLACES 031108160
16	0401450080	WASHER, FLAT M8.....	1.....	REPLACES 031108160
17	022710809	NYLON NUT M8	1	
21	952400130	WASHER	1	
23	070100312	V-BELT RPF3310	1	
25	418216470	BELT COVER	1	
26-1	012210035	BOLT 10X35.....	1.....	REPLACES 001221035
26-2	030210250	WASHER, LOCK M10	1	
26-3	031110160	WASHER, FLAT M10	1	
27	418216480	BELT COVER (IN)	1	
28-1	001221053	BOLT 10X65	1	
28-2	030210250	WASHER, LOCK M10	1	
28-3	031110160	WASHER, FLAT M10	1	
29	418343420	COVER SEAL (E/G)	1	
31	020108060	NUT M8.....	4.....	REPLACES 020308060
32	030208200	WASHER, LOCK M8	4	
33	0401450080	WASHER, FLAT M8.....	2.....	REPLACES 031108160
36	419217800	BASE	1	
37	418457750	BOLT, ENGINE	1	
38	408421270	CLUTCH SPACER 20.2X25X9.4	1	
39	413332920	CLUTCH ASSY.	1	
40	0053005201	KEY	1	
41-1	014208020	BOLT 8X20.....	1.....	REPLACES 001220820
41-2	030208200	WASHER, LOCK M8	1	
42	939010290	RUBBER, HANDLE	2	

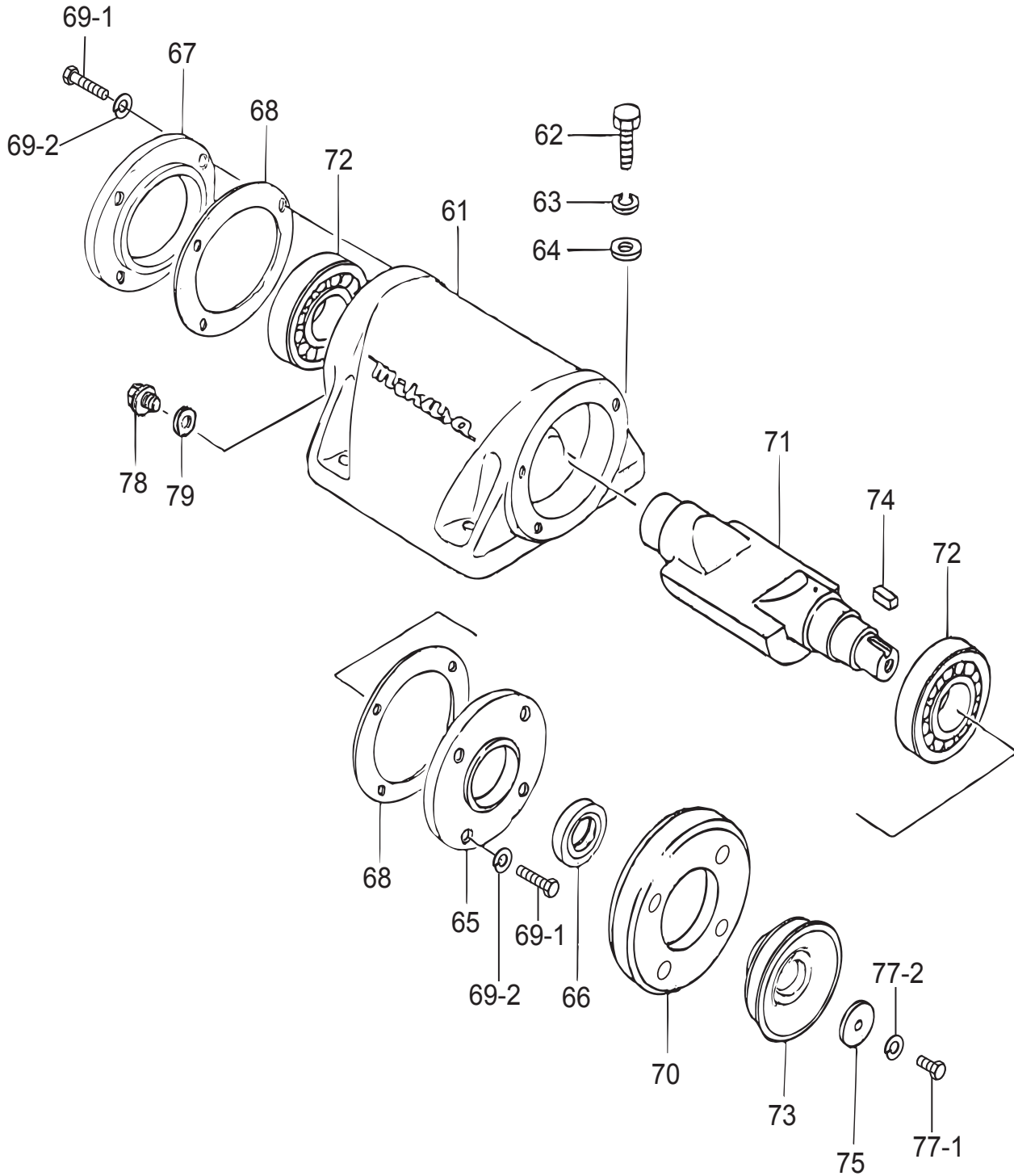
BODY ASSY. (CONT'D.)



BODY ASSY. (CONT'D.)

<u>NO.</u>	<u>PART NO.</u>	<u>PART NAME</u>	<u>QTY.</u>	<u>REMARKS</u>
45	404433430	RUBBER 20X32X28.5/52H	2	
46	952403450	WASHER 11X35X4.5	2	
47-1	012210020	BOLT 10X20	2.....	REPLACES 001221020
47-2	030210250	WASHER, LOCK M10	1	
60	419910010	VAS HANDLE ASSY.....	1.....	INCLUDES ITEMS W/#
61#	419219560	VAS HANDLE BODY	1	
62#	419217810	GRIP, VAS HANDLE	1	
63#	416459320	HANDLE NUT, VAS HANDLE	2	
64#	416459340	RUBBER, VAS HANDLE	2	
65#	009120407	SUNK HEAD BOLT 10X20	2	

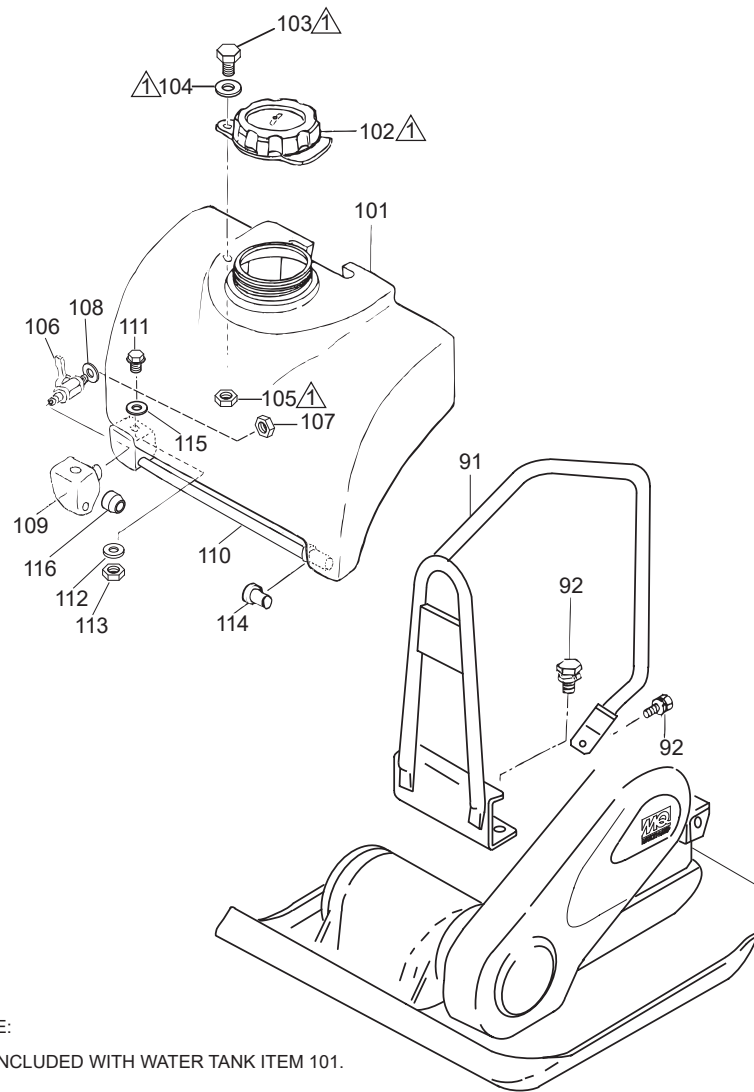
VIBRATOR ASSY.



VIBRATOR ASSY.

<u>NO.</u>	<u>PART NO.</u>	<u>PART NAME</u>	<u>QTY.</u>	<u>REMARKS</u>
61	418117730	VIBRATING CASE	1	
62	001221445	BOLT 14X45	4	
63	030214350	WASHER, LOCK M14	4	
64	031114260	WASHER, FLAT M14	4	
65	418456950	CASE COVER/PULLEY	1	
66	060403020	OIL SEAL	1	
67	418456960	CASE COVER/SHUT OFF	1	
68	418456970	PACKING	2	
69-1	014208020	BOLT 8X20.....	8	REPLACES 001220820
69-2	030208200	WASHER, LOCK M8	8	
70	418460130	COVER SEAL, VIBRATOR	1	
71	418343630	ECCENTRIC ROTOR SHAFT	1	
72	040306307	BEARING 6307C4	2	REPLACES 040406307
73	418456981	PULLEY/VIB.	1	
74	951401920	KEY 7X7X30	1	
75	952403450	WASHER 11X35X4.5	1	
77-1	012010030	BOLT 10X30.....	1	REPLACES 001221030
77-2	030210250	WASHER, LOCK M10	1	
78	953400270	PLUG 1/4X14 10L	1	
79	953405260	PACKING 1/4 (CU)	1	

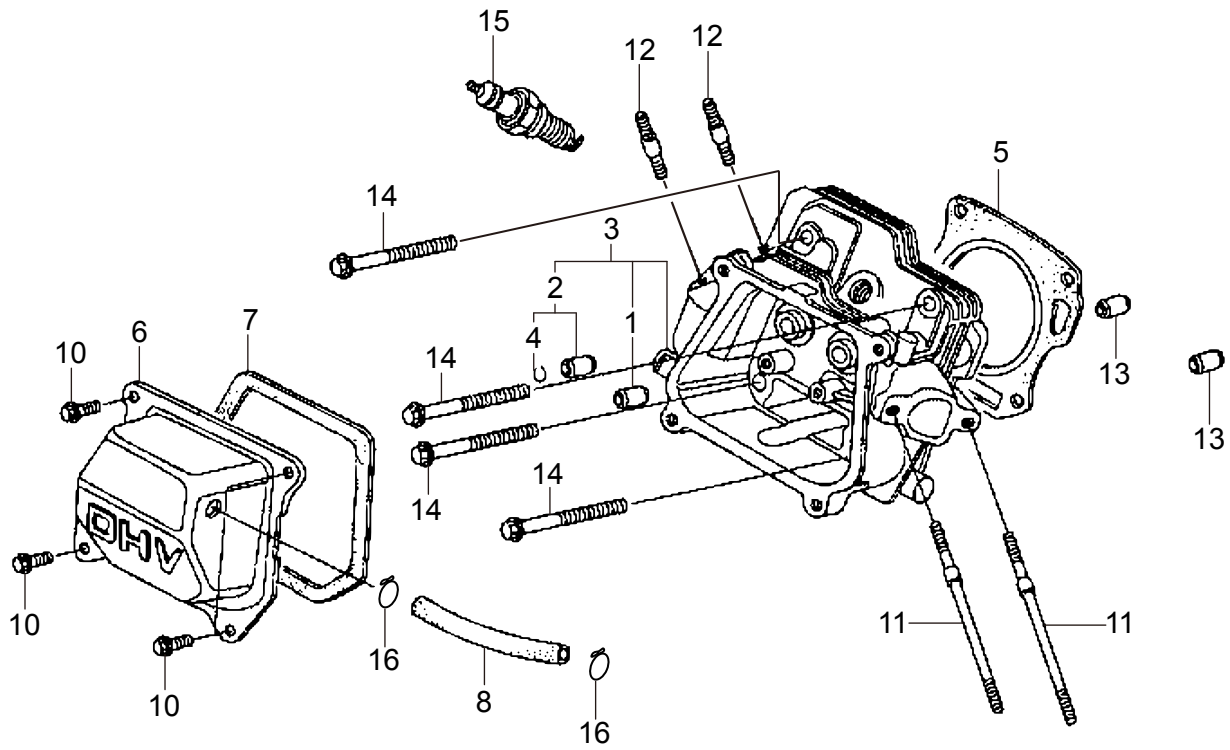
WATER TANK ASSY. (MVC82VHW ONLY)



WATER TANK ASSY. (MVC82VHW ONLY)

<u>NO.</u>	<u>PART NO.</u>	<u>PART NAME</u>	<u>QTY.</u>	<u>REMARKS</u>
91	418118581	GUARD HOOK	1	
92	012210025	BOLT 10X25.....	3.....	REPLACES 002211025
101	418117740	WATER TANK W/CAP (ORANGE).....	1.....	INCLUDES ITEMS W/#
102#	954300342	CAP, WATER TANK	1	
103#	01241030	BOLT 10X30	1	
104#	033910010	WASHER 10.5X21X2	2	
105#	022910180	NYLON NUT M10	1	
106	954403241	COCK PT1/4, ALUMINUM	1	
107	959403790	NUT PS-1/4	1	
108	953408270	PACKING 11.5X19.5	1	
109	416338940	PIPE HOLDER	1	
110	418344110	SPRINKLING PIPE	1	
111	001740825	BOLT, FLANGE 8X25	1	
112	030208200	WASHER, FLAT M8.....	2.....	REPLACES 033910110
113	020108060	NUT M8	1.....	REPLACES 020308064
114	418457010	RUBBER CAP	1	
115	953407410	PACKING 8X19X2	1.....	REPLACES 416453780
116	418457890	RUBBER INSERT, SPRINKLER PIPE	2	

HONDA GX160 SERIES ENGINES — CYLINDER HEAD ASSY.



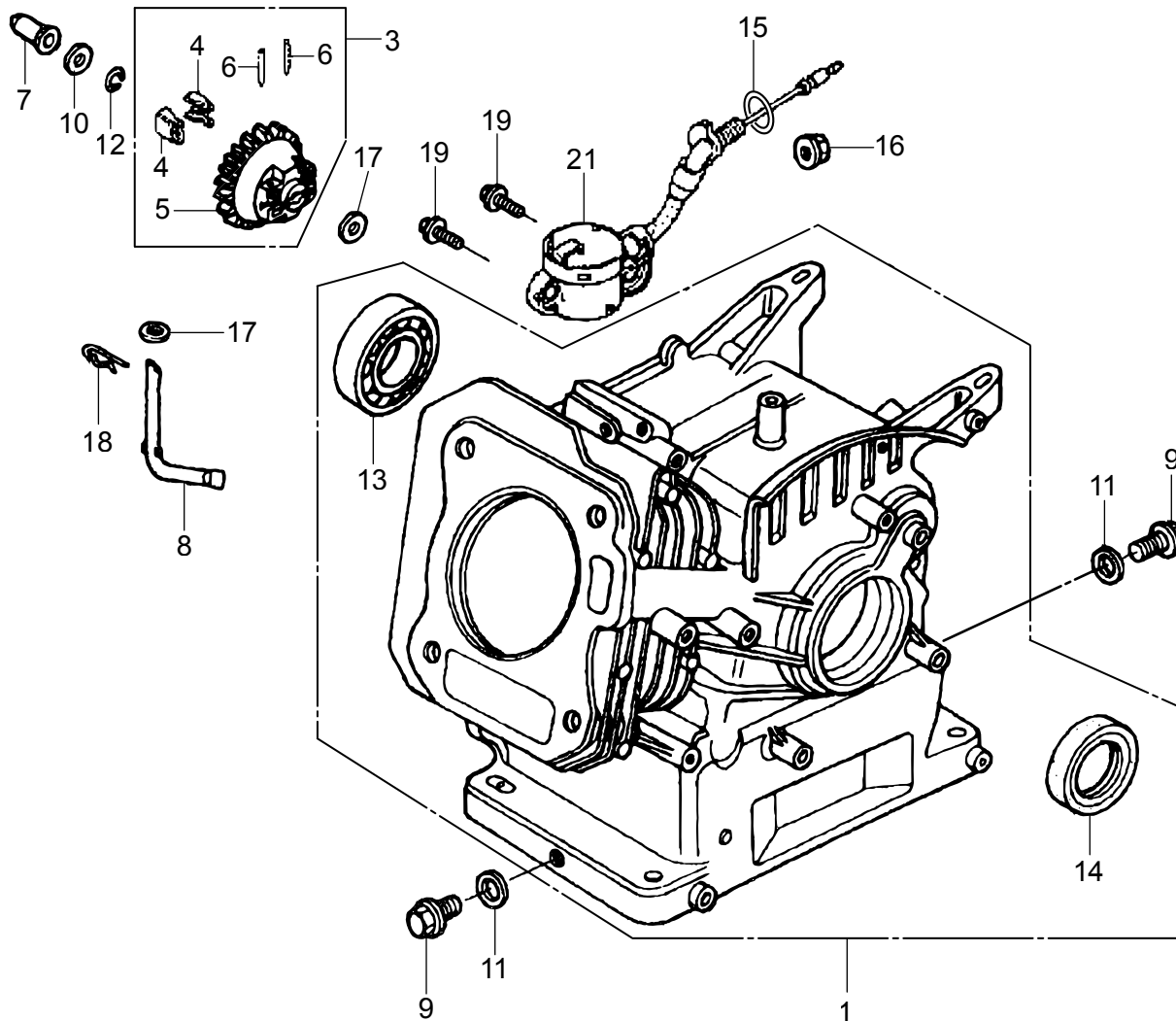
HONDA GX160 SERIES ENGINES — CYLINDER HEAD ASSY.

NO.	PART NO.	PART NAME	QTY.	REMARKS
1%	12204ZE1306	GUIDE, INLET VALVE (O.S.)	1	
2%	12205ZE1315	GUIDE, EXHAUST VALVE (O. S.)	1	INCLUDES ITEMS W/\$
3♦	12210ZH8405	HEAD COMP., CYLINDER	1	INCLUDES ITEMS W/%
3◇	12210ZH8415	HEAD COMP., CYLINDER	1	INCLUDES ITEMS W/%
3♣♣♣	12210Z4M405	HEAD COMP., CYLINDER	1	INCLUDES ITEMS W/%
4\$	12216ZE5300	CLIP, VALVE GUIDE	1	
5♦◇	12251ZH7800	GASKET, CYLINDER HEAD	1	REPLACES 12251ZH1800
5♣♣♣	12251ZL0003	GASKET, CYLINDER HEAD	1	
6♦◇	12310ZE1020	COVER, CP HEAD	1	
6♣♣♣	12310Z4M840	COVER, CP HEAD	1	
7	12391ZE1000	GASKET, CYLINDER HEAD COVER	1	
8♦◇	15721ZH8000	TUBE, BREATHER	1	
8♣♣	15721ZH1840	TUBE, BREATHER	1	
8♣	15721ZE1840	TUBE, BREATHER	1	
10	90013883000	BOLT, FLANGE 6X12	4	
11	90043ZE1020	STUD, BOLT 6X112	2	
12	90047ZE1000	STUD, BOLT 8X32	2	
13	9430110160	KNOCK PIN 10X16	2	
14	957010806000	BOLT, FLANGE 8X60	4	
15♦	9807956846	SPARK PLUG, BPR6ES (NGK)	1	
15	0650140480	SPARK PLUG, EY45V	1	
16♣♣♣♣	9500280000	CLIP, TUBE	2	

NOTICE

- ♦ GX160U1SM12
- ◇ GX160U1SMX4
- ♣ GX160UT2QMXC
- ♣ GX160UT2SMXC
- ♣ GX160UT2SCM

HONDA GX160 SERIES ENGINES — CYLINDER BARREL ASSY.



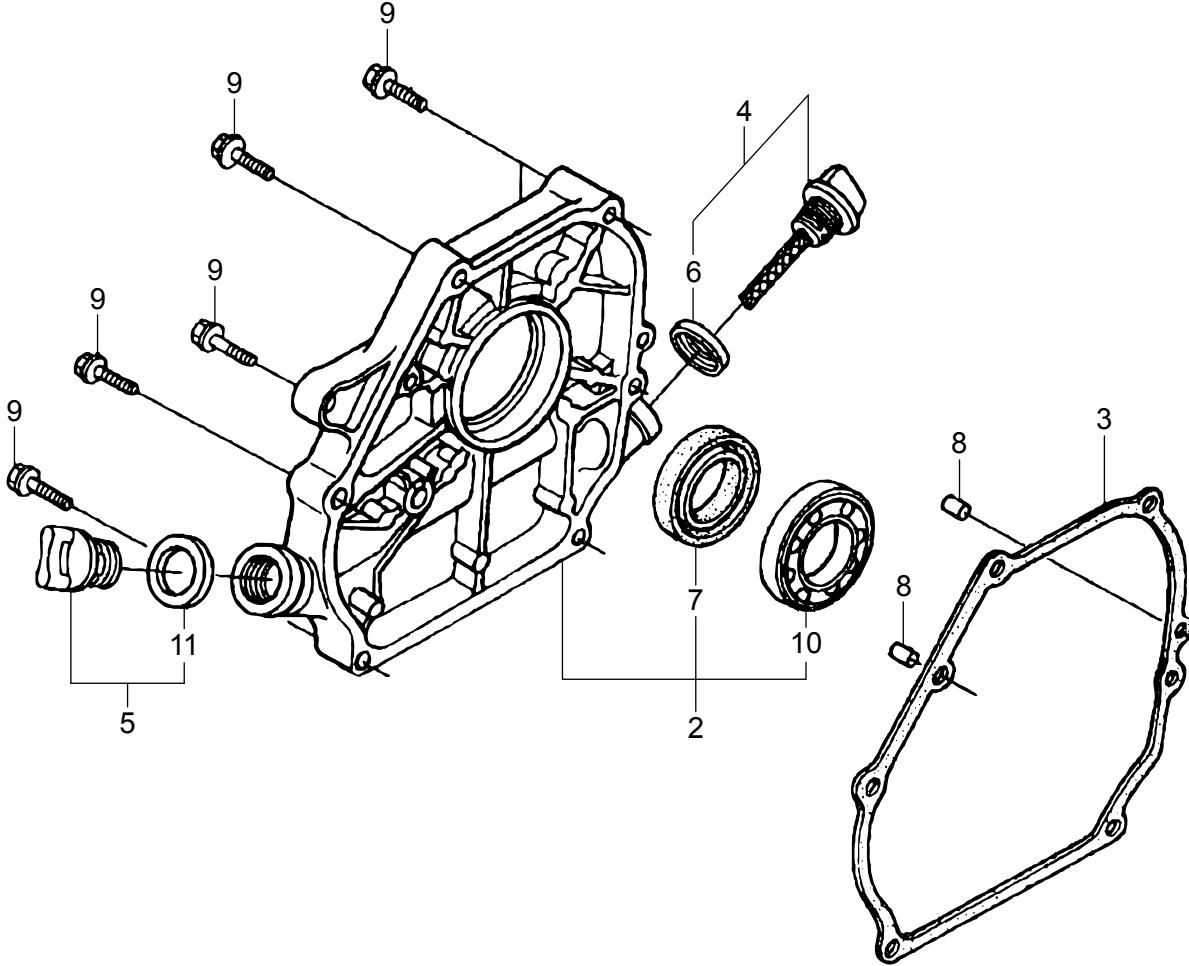
HONDA GX160 SERIES ENGINES — CYLINDER BARREL ASSY.

NO.	PART NO.	PART NAME	QTY.	REMARKS
1♦♦	12000ZH8426	CYLINDER BARREL ASSY. (OIL ALERT).....	1	INCLUDES ITEMS W/\$
1♦♣♠	12000Z4M416	CYLINDER BARREL ASSY. (OIL ALERT).....	1	INCLUDES ITEMS W/\$
3♦♦	16510ZE1000	GOVERNOR ASSY.	1	
3♦♣♠	16510Z4M000	GOVERNOR ASSY.....	1	INCLUDES ITEMS W/%
4%♠	16511Z4M000	WEIGHT, GOVERNOR	2	
5%♠	16512Z4M000	HOLDER, GOVERNOR WEIGHT	1	
6%♠	16513ZE1000	PIN, GOVERNOR WEIGHT	2	
7♦♦	16531ZE1000	SLIDER, GOVERNOR	1	
7♦♣♠	16531Z4M000	SLIDER, GOVERNOR	1	
8♦♦	16541ZE1000	SHAFT, GOVERNOR ARM	1	
8♦♣♠	16541Z4M000	SHAFT, GOVERNOR ARM	1	
9	90131ZE1000	BOLT, DRAIN PLUG	2	
10♦♦	90451ZE1000	WASHER, THRUST 6MM	1	
11	90601ZE1000	WASHER, DRAIN PLUG	2	
12	90602ZE1000	CLIP, GOVERNOR HOLDER	1	
13\$	91001ZF1003	BALL BEARING 6205	1	
14\$	91201Z0T801	OIL SEAL 25X41X6	1	
15◇	91353671003	O-RING, 14 MM.....	1	REPLACES 91353671004
16	9405010000	FLANGE NUT M10	1	
17	58176	WASHER, FLAT 6MM.....	2	REPLACES 9410106800
18	9425108000	LOCK PIN 8MM	1	
19	957010601200	BOLT, FLANGE 6X12	2	
21♦	15510ZE1033	SWITCH ASSY., OIL LEVEL	1	
21♦♠♣	35480Z0T003	SWITCH ASSY., OIL LEVEL	1	

NOTICE

- ♦ GX160U1SM12
- ◇ GX160U1SMX4
- ♠ GX160UT2QMXC
- ♣ GX160UT2SMXC
- ♣ GX160UT2SCM

HONDA GX160 SERIES ENGINES — CRANKCASE COVER ASSY.



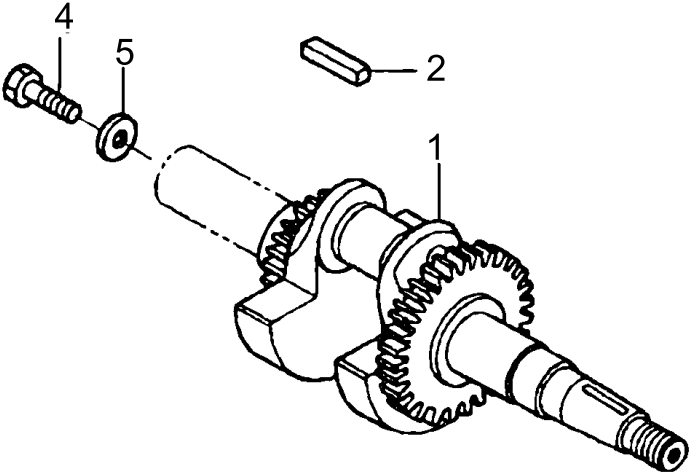
HONDA GX160 SERIES ENGINES — CRANKCASE COVER ASSY.

NO.	PART NO.	PART NAME	QTY.	REMARKS
2♦	11300ZE1632	COVER ASSY., CRANKCASE	1.....	INCLUDES ITEMS W/#
2◇	11300ZE1634	COVER ASSY., CRANKCASE	1.....	INCLUDES ITEMS W/#
2▷	11300Z4M640	COVER ASSY., CRANKCASE	1.....	INCLUDES ITEMS W/#
2♠♣	11300Z4M630	COVER ASSY., CRANKCASE	1.....	INCLUDES ITEMS W/#
3	11381ZH8801	GASKET, CRANKCASE.....	1	
4♦◇	15600ZE1003	CAP ASSY., OIL FILLER, (GRAY).....	1.....	INCLUDES ITEMS W/\$
4▷♠♣	15600Z0T810	CAP ASSY., OIL FILLER, (GRAY)	1.....	INCLUDES ITEMS W/&
5♦◇	15600ZG4003	CAP ASSY., OIL FILLER, (GRAY).....	1.....	INCLUDES ITEMS W/%
5▷♠♣	15600Z0T820	CAP ASSY., OIL FILLER.....	1.....	INCLUDES ITEMS W/❖
6\$♦◇	15625ZE1003	GASKET, OIL FILLER CAP	1	
6&▷♠	15625Z0T800	GASKET, OIL FILLER CAP	1	
7#	91201Z0T801	OIL SEAL 25X41X6	1	
8	9430108140	PIN A, DOWEL 8X14	2	
9	957010803200	BOLT, FLANGE 8X32	6	
10#	961006205000	BALL BEARING 6205	1	
11%♦◇	15625ZE1003	GASKET, OIL FILLER CAP	1	
11❖▷♠	15625Z0T800	GASKET, OIL FILLER CAP	1	

NOTICE

- ◆ GX160U1SM12
- ◇ GX160U1SMX4
- ▷ GX160UT2QMXC
- ♠ GX160UT2SMXC
- ♣ GX160UT2SCM

HONDA GX160 SERIES ENGINES — CRANKSHAFT ASSY.



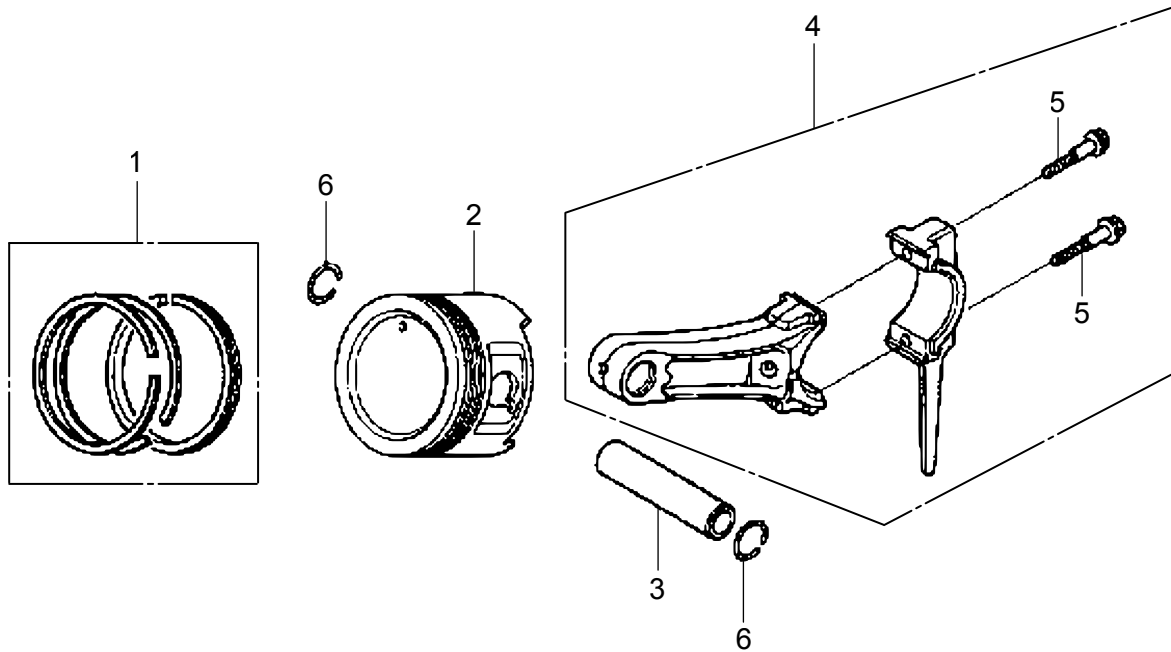
HONDA GX160 SERIES ENGINES — CRANKSHAFT ASSY.

NO.	PART NO.	PART NAME	QTY.	REMARKS
1♦♦	13310ZE1000	CRANK SHAFT COMPLETE	1	
1▷	13310Z4M800	CRANK SHAFT COMPLETE	1	
1♣♣	13310Z4M880	CRANK SHAFT COMPLETE	1	
2	90741883810	KEY 5X5X33	1	
2▷	90745ZE1600	KEY 4.78X4.78X38	1	
4◇	92101080250A	BOLT 8X25	1	
5◇	90473842000	WASHER 8MM	1	

NOTICE

- ♦ GX160U1SM12
- ◇ GX160U1SMX4
- ▷ GX160UT2QMXC
- ♣ GX160UT2SMXC
- ♣ GX160UT2SCM

HONDA GX160 SERIES ENGINES — PISTON ASSY.



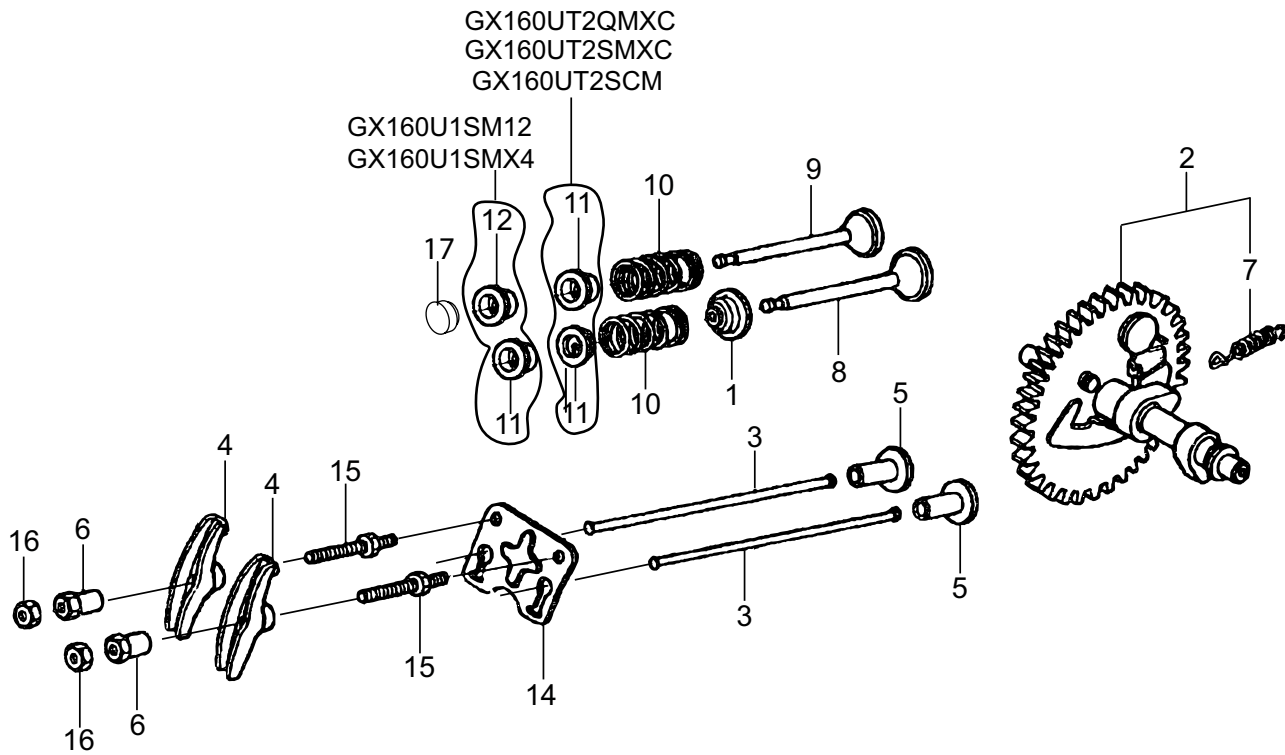
HONDA GX160 SERIES ENGINES — PISTON ASSY.

NO.	PART NO.	PART NAME(SMX4)	QTY.	REMARKS
1♦	13010ZL0003	RING SET, PISTON (STD)	1	
1◇	13010Z4K004	RING SET, PISTON (STD)	1	
1▷♣	13010Z4M801	RING SET, PISTON (STD)	1	
1♦	13011ZL0003	RING SET, PISTON (OS 0.25)	1	
1◇	13011Z4K004	RING SET, PISTON (OS 0.25)	1	
1▷♣	13011Z4M003	RING SET, PISTON (OS 0.25)	1	
1♦	13012ZL0003	RING SET, PISTON (OS 0.50)	1	
1◇	13012Z4K004	RING SET, PISTON (OS 0.50)	1	
1▷♣	13012Z4M003	RING SET, PISTON (OS 0.50)	1	
1♦	13013ZL0003	RING SET, PISTON (OS 0.75)	1	
1◇	13013Z4K004	RING SET, PISTON (OS 0.75)	1	
2♦	13101ZH8010	PISTON (STD)	1	
2◇	13101ZH8020	PISTON (STD)	1	
2▷♣	13101Z4M800	PISTON (STD)	1	
2♦	13102ZH8010	PISTON (OS 0.25)	1	
2◇	13102ZH8020	PISTON (OS 0.25)	1	
2▷♣	13102Z4M800	PISTON (OS 0.25)	1	
2♦	13103ZH8010	PISTON (OS 0.50)	1	
2◇	13103ZH8020	PISTON (OS 0.50)	1	
2▷♣	13103Z4M800	PISTON (OS 0.50)	1	
2♦	13104ZH8010	PISTON (0.75)	1	
2◇	13104ZH8020	PISTON (0.75)	1	
3◇	13111ZE1000	PIN, PISTON	1	
3▷♣	13111Z4M000	PIN, PISTON	1	
4♦	13111ZE1000	ROD ASSY., CONNECTING.....	1	INCLUDES ITEMS W/\$
4◇	13200ZE1020	ROD ASSY., CONNECTING.....	1	INCLUDES ITEMS W/\$
4▷♣	13200Z0T900	ROD ASSY., CONNECTING.....	2	INCLUDES ITEMS W/#
5\$♦◇	90001ZE1000	BOLT, CONNECTING ROD	2	
5#▷♣	90001Z4M000	BOLT, CONNECTING ROD	2	
6	90551ZE1000	CLIP, PISTON PIN 18MM	2	

NOTICE

- ♦ GX160U1SM12
- ◇ GX160U1SMX4
- ▷ GX160UT2QMXC
- ♣ GX160UT2SMXC
- ♣ GX160UT2SCM

HONDA GX160 SERIES ENGINES — CAMSHAFT ASSY.



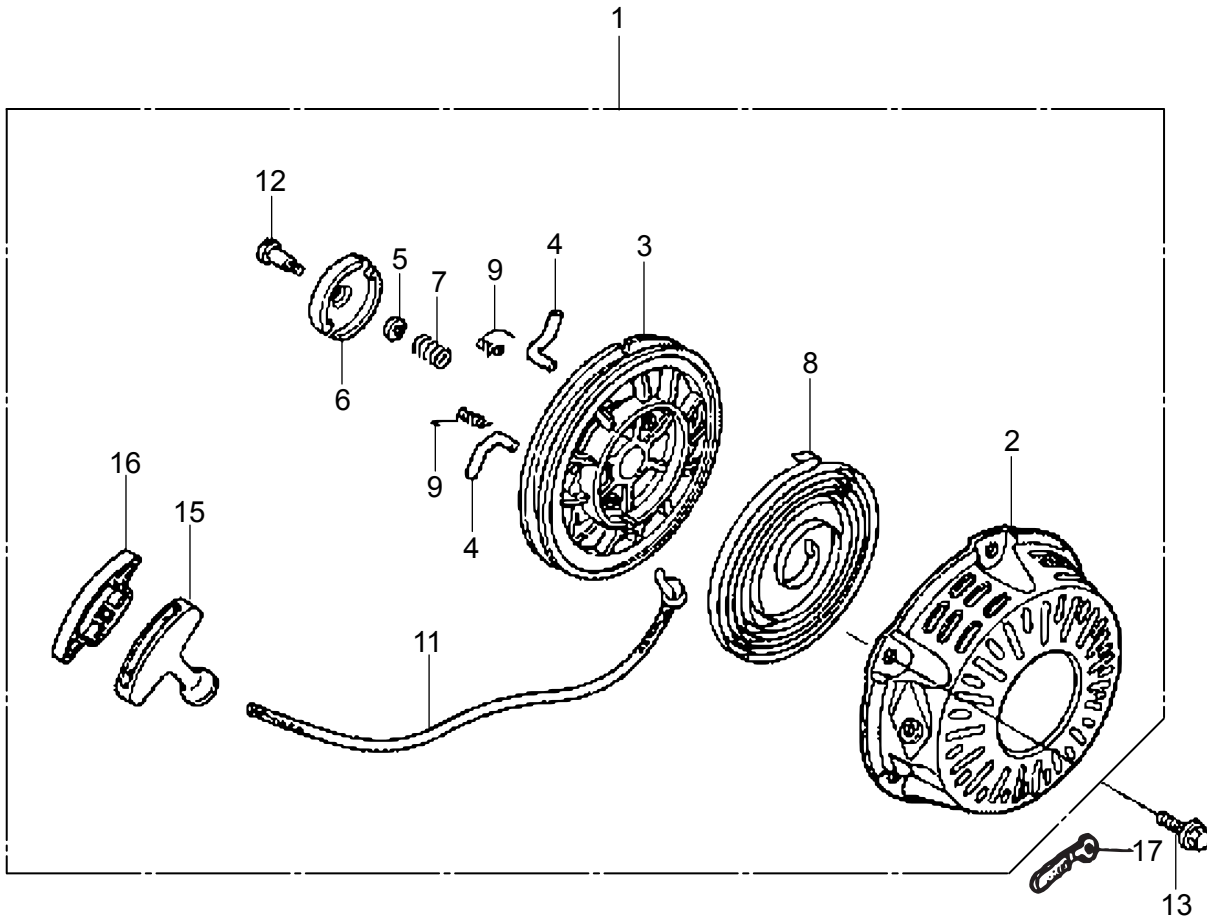
HONDA GX160 SERIES ENGINES — CAMSHAFT ASSY.

NO.	PART NO.	PART NAME	QTY.	REMARKS
1♦♦	12209ZH8003	SEAL, VALVE STEM	1	
1♦♣	12209Z4M801	SEAL, VALVE STEM	1	
2♦♦	14100ZE1812	CAMSHAFT ASSY.....	1	INCLUDES ITEM W/\$
2♦♣	14100Z4M000	CAMSHAFT ASSY.....	1	INCLUDES ITEM W/\$
3♦♦	14410ZE1010	ROD, PUSH CP	2	
3♦♣	14410Z4M000	ROD, PUSH CP	2	
4	14431ZE1000	ARM, VALVE ROCKER	2	
5	14441ZE1010	LIFTER, VALVE	2	
6♦♦	14451ZE1013	PIVOT, ROCKER ARM	2	
6♦♣	14451Z4M000	PIVOT, ROCKER ARM	2	
7\$	14568ZE1000	SPRING, WEIGHT RETURN	1	
8♦♦	14711ZF1000	VALVE, INTAKE	1	
8♦♣	14711Z4M000	VALVE, INTAKE	1	
9♦♦	14721ZF0000	VALVE, EXHAUST	1	
9♦♣	14721Z4M000	VALVE, EXHAUST	1	
10	14751ZF1000	SPRING, VALVE	2	
11♦♦	14771ZE1000	RETAINER, INTAKE VALVE	1	
11♦♣	14771Z0T900	RETAINER, INTAKE/EXHAUST VALVE	2	
12♦♦	14773ZE1000	RETAINER, EXHAUST VALVE	1	
14♦♦	14791ZE1010	PLATE, PUSH ROD GUIDE	1	
14♦♣	14791Z4M000	PLATE, PUSH ROD GUIDE	1	
15	90012ZE0010	BOLT, PIVOT 8MM	2	
16	90206ZE1000	NUT, PIVOT ADJUSTING	2	
17♦♦	14781ZE1000	ROTATOR, VALVE	1	

NOTICE

- ♦ GX160U1SM12
- ♦ GX160U1SMX4
- ♦ GX160UT2QMXC
- ♦ GX160UT2SMXC
- ♦ GX160UT2SCM

HONDA GX160 SERIES ENGINES — RECOIL STARTER ASSY.



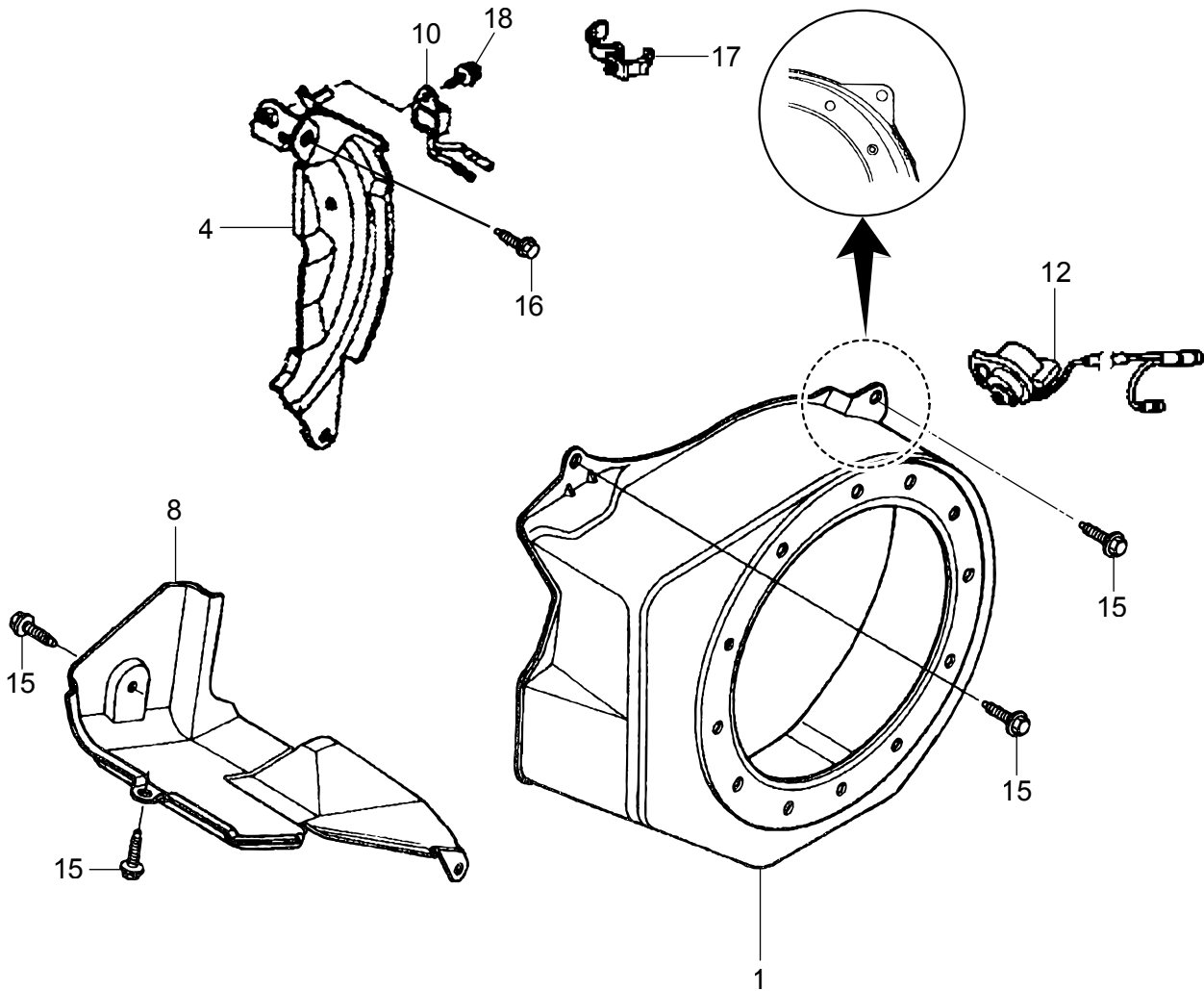
HONDA GX160 SERIES ENGINES — RECOIL STARTER ASSY.

NO.	PART NO.	PART NAME	QTY.	REMARKS
1♦♦	28400ZH8023ZB	STARTER ASSY., RECOIL	1.....	INCLUDES ITEMS W/\$
1♠	28400Z4M305ZD	STARTER ASSY., RECOIL	1.....	INCLUDES ITEMS W/#
1♣	28400Z4M305ZD	STARTER ASSY., RECOIL	1.....	INCLUDES ITEMS W/%
2\$	28410ZH8003ZB	CASE CP, STARTER (BLACK)	1	
2#%	28410Z4M003ZD	CASE CP, STARTER (BLACK)	1	
3\$	28421ZH8801	REEL, RECOIL STARTER	1	
3#	28421Z0T003	REEL, RECOIL STARTER	1	
3%	28421Z1T702	REEL, RECOIL STARTER	1	
4\$#	28422ZH8801	RATCHET, STARTER	2	
4%	28422Z1T701	RATCHET, STARTER	2	
5\$#%	28431ZH8801	PLATE, FRICTION	1	
6\$#	28433ZH8801	RATCHET GUIDE	1	
6%	28433Z1T702	RATCHET GUIDE	1	
7\$#%	28441ZH8801	FRICTION SPRING	1	
8\$#%	28442ZH8003	SPRING, RECOIL STARTER	1	
9\$#	28443ZH8801	SPRING, RETURN	2	
9%	28443Z1T701	SPRING, RETURN	2	
11\$#	28462ZH8003	ROPE, RECOIL STARTER	1	
12\$#	90003ZH8801	SCREW SETTING	1	
13	90008ZE2003	BOLT, FLANGE 6X10	3	
13♣	957010600800	BOLT, FLANGE 6X8	3	
15\$	28461ZH8003	KNOB, RECOIL STARTER	1	
15#%	28461Z4M305	KNOB, RECOIL STARTER	1	
16\$#	28463Z4M003	KNOB, REINFORCEMENT	1	
17♦	90003ZH8801	CLIP, CORD	1	
17◇	32901MA1000	CLIP, CORD	1.....	OPTION

NOTICE

- ♦ GX160U1SM12
- ◇ GX160U1SMX4
- ♠ GX160UT2QMXC
- ♣ GX160UT2SMXC
- ♣ GX160UT2SCM

HONDA GX160 SERIES ENGINES — FAN COVER ASSY.



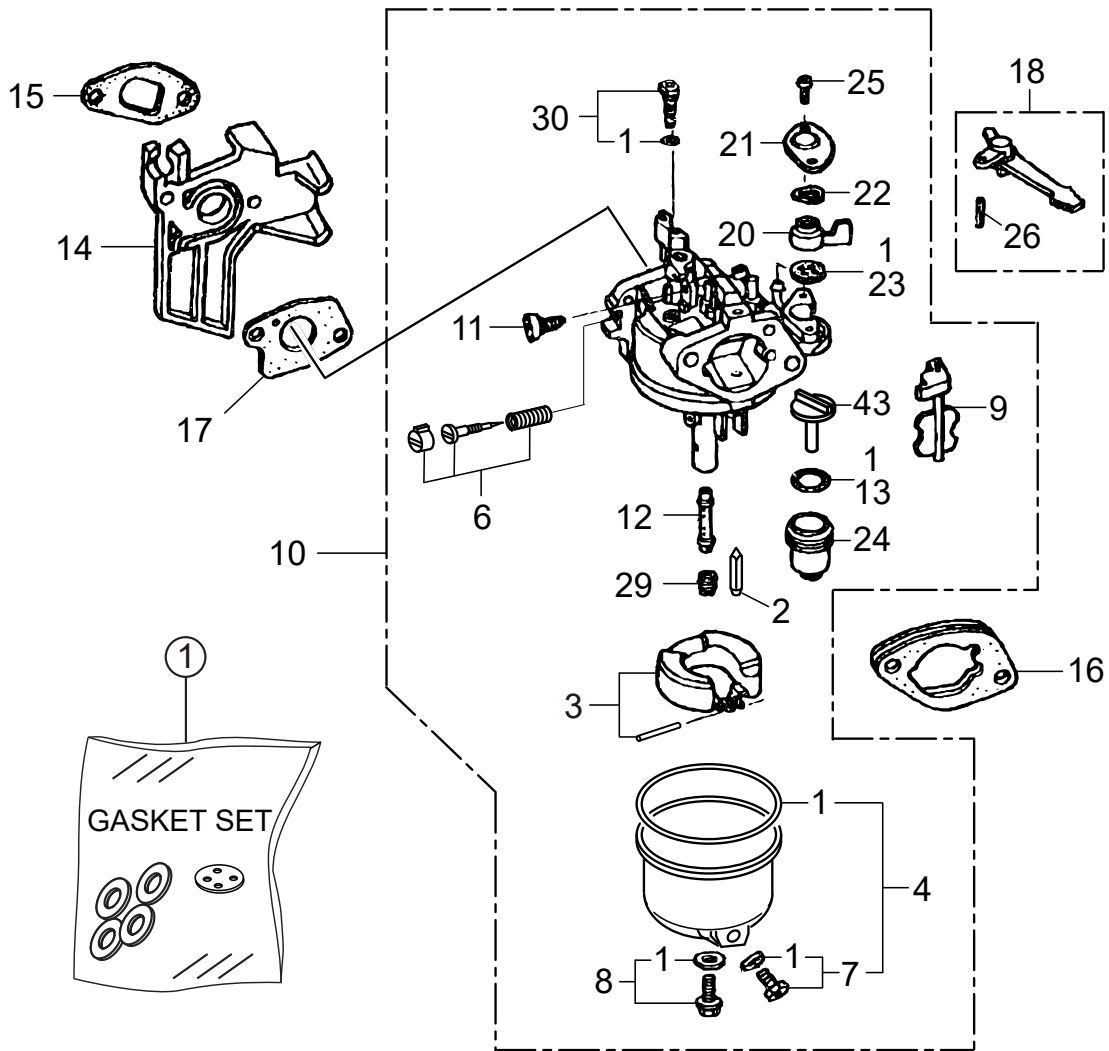
HONDA GX160 SERIES ENGINES — FAN COVER ASSY.

NO.	PART NO.	PART NAME	QTY.	REMARKS
1♦	19610ZE1000ZC	COVER, FAN (BLACK)	1	
1◇	19610ZE1010ZC	COVER, FAN (BLACK)	1	
1♠♣	19610Z4M000ZB	COVER, FAN (BLACK)	1	
4♦◇	19611ZH8810	PLATE CP, SIDE (OIL ALERT)	1	
4♠♣	19611Z4M810	PLATE CP, SIDE (OIL ALERT)	1	
8♦◇	19630ZH8000	SHROUD, COMPLETE	1	
8♠♣	19630Z4M000	SHROUD, COMPLETE	1	
10♦	34150ZH7003	ALERT UNIT, OIL	1	
10◇	34150ZH7013	ALERT UNIT, OIL	1	
10♠♣	34150-ZH7023	ALERT UNIT, OIL	1	
12♦	36100ZF6P81	SWITCH ASSY., ENGINE STOP	1	
12◇	36100ZF6P82	SWITCH ASSY., ENGINE STOP	1	
12♠	35120Z0T851	SWITCH ASSY., ENGINE STOP	1	
12♠♣	35120Z0T831	SWITCH ASSY., ENGINE STOP	1	
15	90013883000	BOLT, FLANGE 6X12	6	
16	90022888010	BOLT, FLANGE 6X20	1	
17	90601ZH7013	CLIP, HARNESS	1	
18	957010600800	BOLT, FLANGE 6X8	1	

NOTICE

- ♦ GX160U1SM12
- ◇ GX160U1SMX4
- ♠ GX160UT2QMXC
- ♠ GX160UT2SMXC
- ♣ GX160UT2SCM

HONDA GX160 SERIES ENGINES — CARBURETOR ASSY.



NOTICE

Gasket set, item 1 included with items 4, 7, 8, 13, 23 and 30.

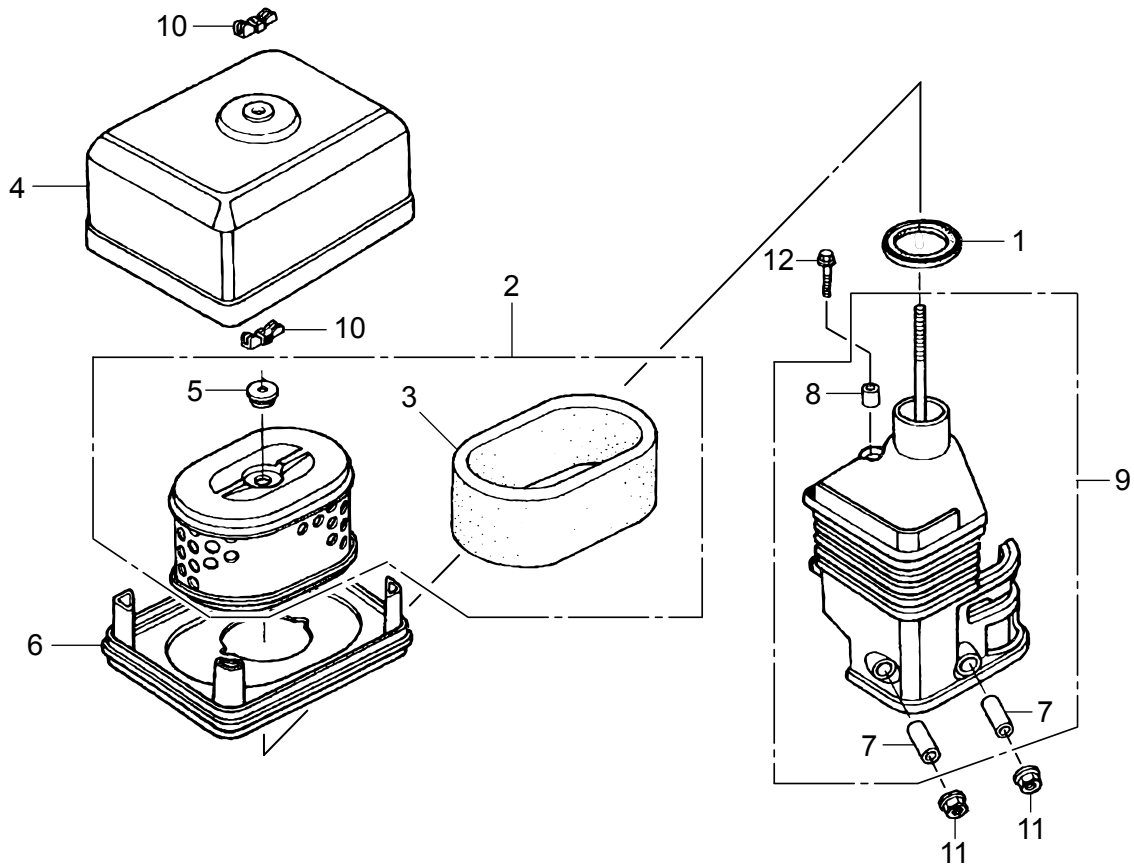
HONDA GX160 SERIES ENGINES — CARBURETOR ASSY.

NO.	PART NO.	PART NAME	QTY.	REMARKS
1#S%❖	16010ZE1812	GASKET SET	1	
2#S%	16011ZE0005	FLOAT, VALVE SET	1	
3#	16013ZE0005	FLOAT SET	1	
3S%	16013Z0SB01	FLOAT SET	1	
4#	16015ZE0831	CHAMBER SET, FLOAT	1	INCLUDES ITEM W/❖, ▲
4S%	16015Z4M911	CHAMBER SET, FLOAT	1	INCLUDES ITEM W/❖, ▲
6#	16016ZH7W01	SCREW SET, PILOT	1	
7#▲	16024ZE1811	SCREW SET, DRAIN	1	INCLUDES ITEM W/❖
7S%▲	16024Z5T901	SCREW SET, DRAIN	1	INCLUDES ITEM W/❖
8#	16028ZK7591	SCREW SET B	1	INCLUDES ITEM W/❖
8S%	16028Z5T901	SCREW SET B	1	INCLUDES ITEM W/❖
9#	16044ZE0005	CHOKE SET	1	
9S%	16044Z4M911	CHOKE SET	1	
10◆◇	16100ZH8W51	CARBURETOR ASSY., (BE65B B)	1	INCLUDES ITEMS W/#
10D🍏	16100Z4MV22	CARBURETOR ASSY., (BE54E A)	1	INCLUDES ITEMS W/\$
10♣	16100Z4M781	CARBURETOR ASSY.	1	INCLUDES ITEMS W/%
11#S%	16124ZE0005	SCREW, THROTTLE STOP	1	
12#	16166ZH8W50	NOZZLE, MAIN	1	
12\$	16166Z4MV21	NOZZLE, MAIN	1	
12%	16166Z4M781	NOZZLE, MAIN	1	
13#S%	16955283000	O-RING, CUP	1	INCLUDES ITEMS W/❖
14◆◇	16211ZE1000	INSULATOR, CARBURETOR	1	
14D🍏♣	16211Z4M000	INSULATOR, CARBURETOR	1	
15	16212ZH8800	GASKET, INSULATOR	1	
16	16220ZE1020	SPACER COMP., CARBURETOR	1	
17	16221ZH8801	GASKET, CARBURETOR	1	
18	16610ZE1000	CHOKE LEVER, COMP.	1	INCLUDES ITEMS W/@
20#S%	16953ZE1812	LEVER, COCK	1	
21#S%	16954ZE1812	PLATE, LEVER SETTING	1	
22#S%	16956ZE1811	SPRING, COCK LEVER	1	
23#S%	16957ZE1812	GASKET, FUEL COCK	1	INCLUDES ITEM W/❖
24#S%	16967ZE0811	CUP, FUEL STRAINER	1	
25#S%	93500030060H	SCREW 3X6	2	REPLACES P/N 93500030061H
26@	9430520122	PIN, SPRING 2X12	1	
29#\$	99101ZH80700	MAIN JET #70	1	
29%	99101ZH80720	MAIN JET #72	1	
30#\$	99204ZE00350	PILOT JET SET #35	1	INCLUDES ITEM W/❖
30#\$	99204ZE00380	PILOT JET SET #38	1	INCLUDES ITEM W/❖
30%	99204ZE20400	PILOT JET SET #40	1	INCLUDES ITEM W/❖
43S%	16959Z5T901	FILTER, CUP	1	

NOTICE

- ◆ GX160U1SM12
- ◇ GX160U1SMX4
- ▷ GX160UT2QMXC
- 🍏 GX160UT2SMXC
- ♣ GX160UT2SCM

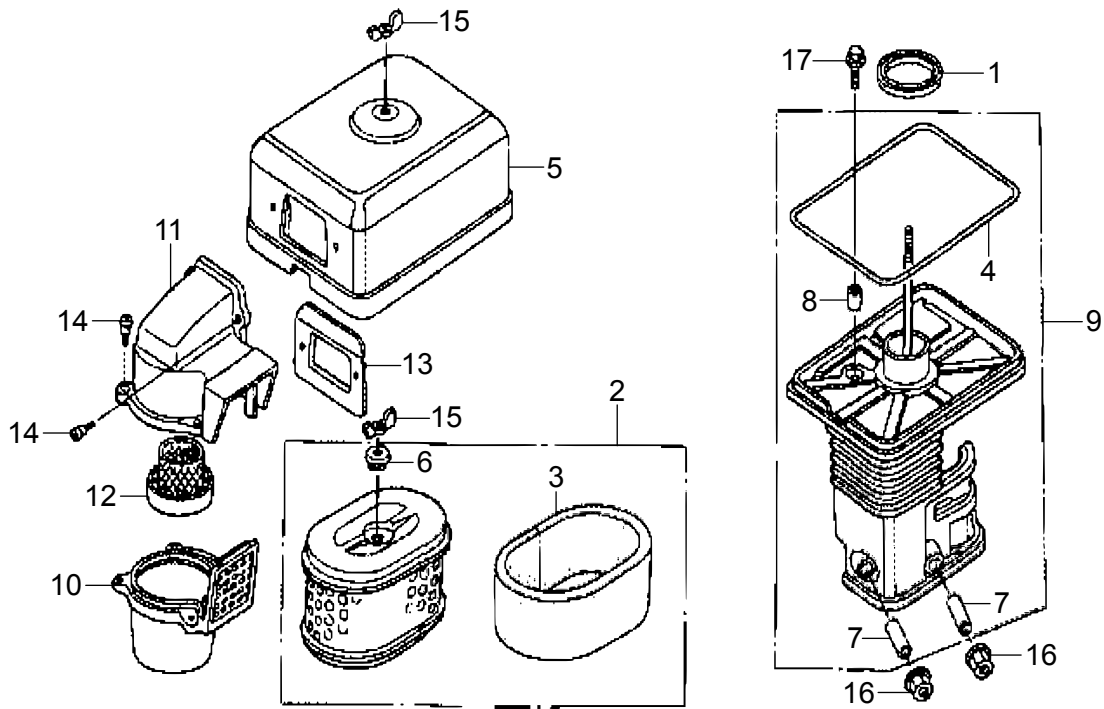
HONDA GX160U1SM12/SMX4 ENGINES — AIR CLEANER ASSY.



HONDA GX160U1SM12/SMX4 ENGINES — AIR CLEANER ASSY.

<u>NO.</u>	<u>PART NO.</u>	<u>PART NAME</u>	<u>QTY.</u>	<u>REMARKS</u>
1	16271ZE1000	GASKET, ELBOW	1	
2	17210ZE1517	ELEMENT, AIR CLEANER	1.....	INCLUDES ITEMS W/#
3#	17218ZE1507	FILTER (OUTER)	1	
4	17230ZE1820	COVER, AIR CLEANER	1	
5#	17232891000	GROMMET, AIR CLEANER	1	
6	17235Z4M831	NOSE, SILENCER	1	
7%	17238ZE7010	COLLAR, AIR CLEANER	2	
8%	17239ZE1000	COLLAR (B), AIR CLEANER	1	
9	17410ZE1020	ELBOW CP, AIR CLEANER.....	1.....	INCLUDES ITEMS W/%
10	90325044000	NUT, TOOL BOX SETTING	2	
11	9405006000	FLANGE NUT 6MM	2	
12	957010602000	BOLT, FLANGE 6X20	1	

HONDA GX160UT2QMXC/SMXC ENG. — AIR CLEANER ASSY.



HONDA GX160UT2QMXC/SMXC ENG. — AIR CLEANER ASSY.

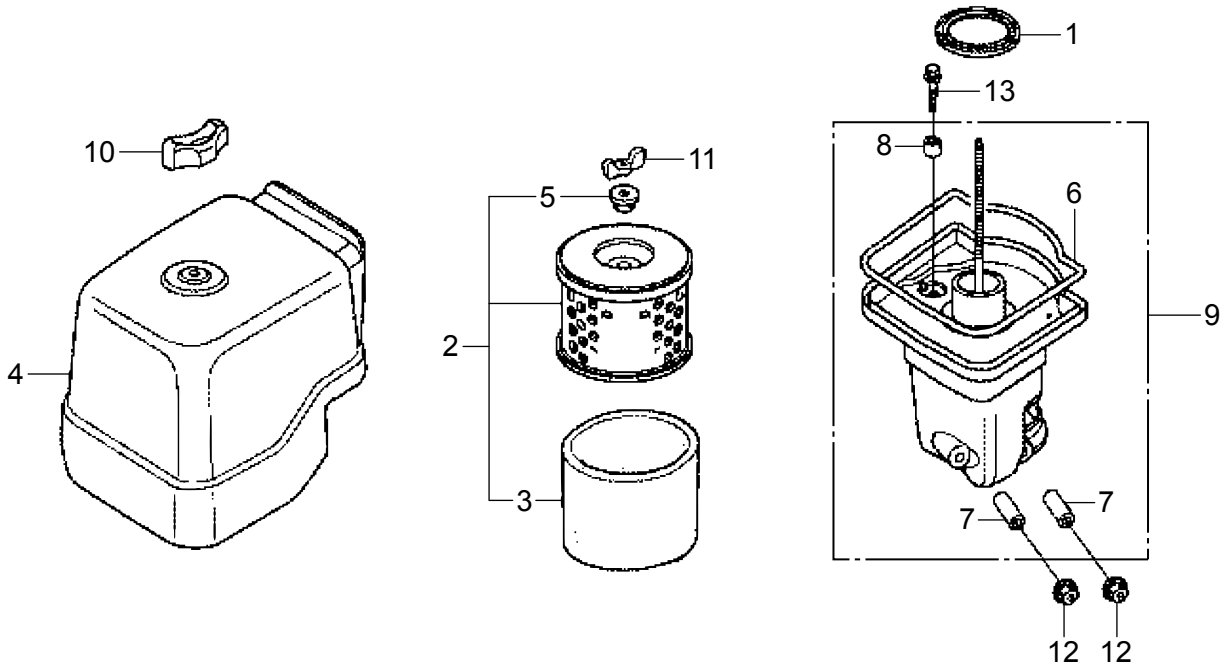
NO.	PART NO.	PART NAME	QTY.	REMARKS
1	16271ZE1000	PACKING, ELBOW	1	
2	17210ZE1517	CLEANER ELEMENT	1	INCLUDES ITEMS W/#
3#	17218ZE1507	OUTER ELEMENT	1	
4%	17219733010	PACKING, CLEANER COVER	1	
5	17230ZE1841	COVER, AIR CLEANER	1	
6#	17232891000	GROMMET, AIR CLEANER	1	
7%	17238ZE7010	COLLAR, AIR CLEANER	2	
8%	17239733000	COLLAR (B), AIR CLEANER	1	
9D	17410ZE1840	ELBOW, COMP. AIR CLEANER	1	INCLUDES ITEMS W/%
9A	17410ZE1841	ELBOW, COMP. AIR CLEANER	1	INCLUDES ITEMS W/%
10	17470ZE1842	CASE, PRE-CLEANER	1	
11	17475ZE1841	CAP, PRE-CLEANER	1	
12	17476ZE1841	GUIDE, PRE-CLEANER	1	
13	17478ZE1841	PLATE, PRE-CLEANER	1	
14	90300GB0900	BOLT, MUD GUARD	5	
15	90325044000	NUT, TOOL BOX SETTING	2	
16	9405006000	FLANGE NUT 6MM	2	
17	957010602000	BOLT, FLANGE 6X20	1	

NOTICE

▶ GX160UT2QMXC

▶ GX160UT2SMXC

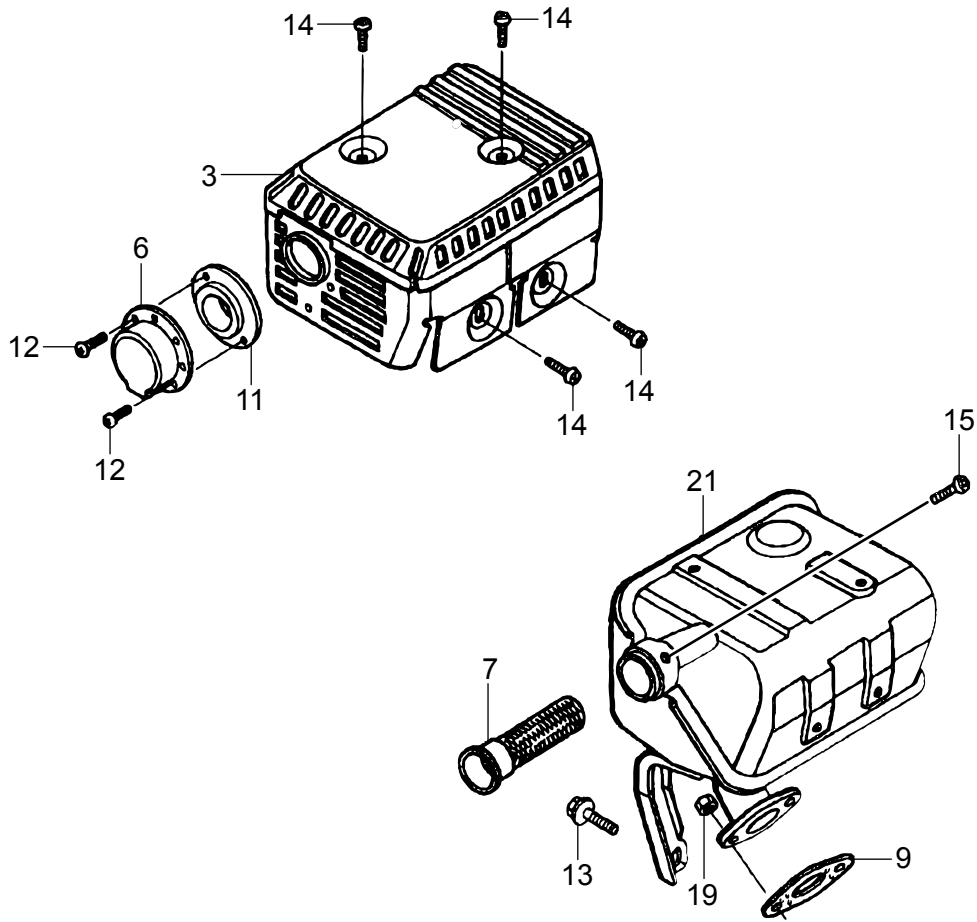
HONDA GX160UT2SCM ENG. — AIR CLEANER ASSY. (CYCLONE)



HONDA GX160UT2SCM ENG. — AIR CLEANER ASSY. (CYCLONE)

<u>NO.</u>	<u>PART NO.</u>	<u>PART NAME</u>	<u>QTY.</u>	<u>REMARKS</u>
1	16271ZE1000	PACKING, ELBOW	1	
2	17210Z0V781	ELEMENT, AIR CLEANER	1.....	INCLUDES ITEMS W/#
3#	17218Z0V780	FILTER, OUTER	1	
4	17230Z0V78	COVER ASSY., AIR CLEANER	1	
5#	17232891000	GROMMET, AIR CLEANER	1	
6%	17233Z0V780	SEAL, AIR CLEANER COVER	1	
7%	17238ZE7010	COLLAR, AIR CLEANER	2	
8%	17239ZE3840	COLLAR B, AIR CLEANER	1	
9	17410Z0V780	ELBOW COMPLETE, AIR CLEANER	1.....	INCLUDES ITEMS W/%
10	90300Z4M800	NUT, AIR CLEANER	1	
11	90325044000	NUT, TOOL BOX SETTING	1	
12	9405006000	FLANGE NUT 6MM	2	
13	957010602000	FLANGE BOLT 6X20	1	

HONDA GX160 SERIES ENGINES — MUFFLER ASSY.



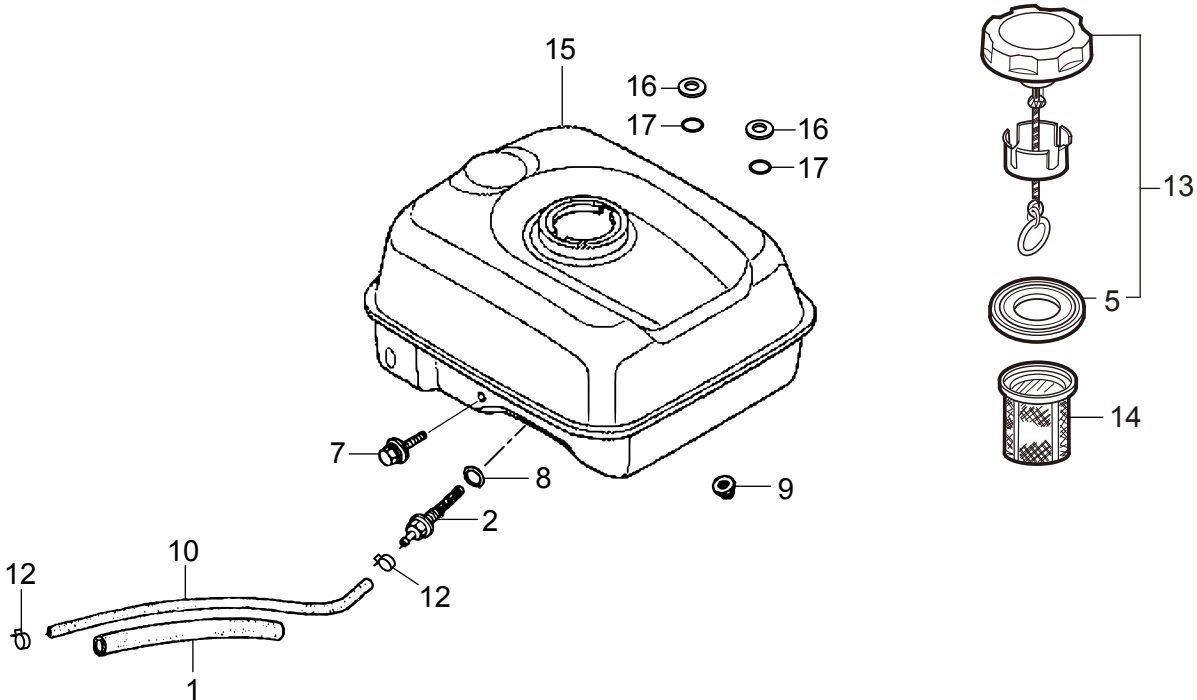
HONDA GX160 SERIES ENGINES — MUFFLER ASSY.

NO.	PART NO.	PART NAME	QTY.	REMARKS
3♦	18320ZF1H01	PROTECTOR, MUFFLER	1	
3◇	18320ZF1H02	PROTECTOR, MUFFLER	1	
3D	18320Z4M811	PROTECTOR, MUFFLER	1	
3♣♣	18320Z4M000	PROTECTOR, MUFFLER	1	
6	18340ZE1010	DEFLECTOR CP	1	
7	18355ZE1000	ARRESTER, SPARK	1	
9♦	18381ZH8800	GASKET, MUFFLER	1	
9◇	18381ZH8801	GASKET, MUFFLER	1	
9D♣♣	18381Z0T801	GASKET, MUFFLER	1	
11	18522ZE1000	GUIDE, MUFFLER	1	
12♦◇	90002ZG0003	SCREW, TAPPING 4X8	2	
12D♣♣	90002Z0T800	SCREW, TAPPING 4X8	2	
13	90016ZE1000	BOLT, FLANGE 6X13	1	
14	90050ZE1000	TAPPING SCREW 5X8	4	
15	90055ZE1000	TAPPING SCREW 4X6	4	
19	94001080000S	NUT, HEX 8MM	2	
21♦	18310ZH8810	MUFFLER COMPLETE	1	
21◇	18310ZH7V90	MUFFLER COMPLETE	1	
21D♣♣	18310Z4MV51	MUFFLER COMPLETE	1	

NOTICE

- ♦ GX160U1SM12
- ◇ GX160U1SMX4
- D GX160UT2QMXC
- ♣ GX160UT2SMXC
- ♣ GX160UT2SCM

HONDA GX160 SERIES ENGINES — FUEL TANK ASSY.



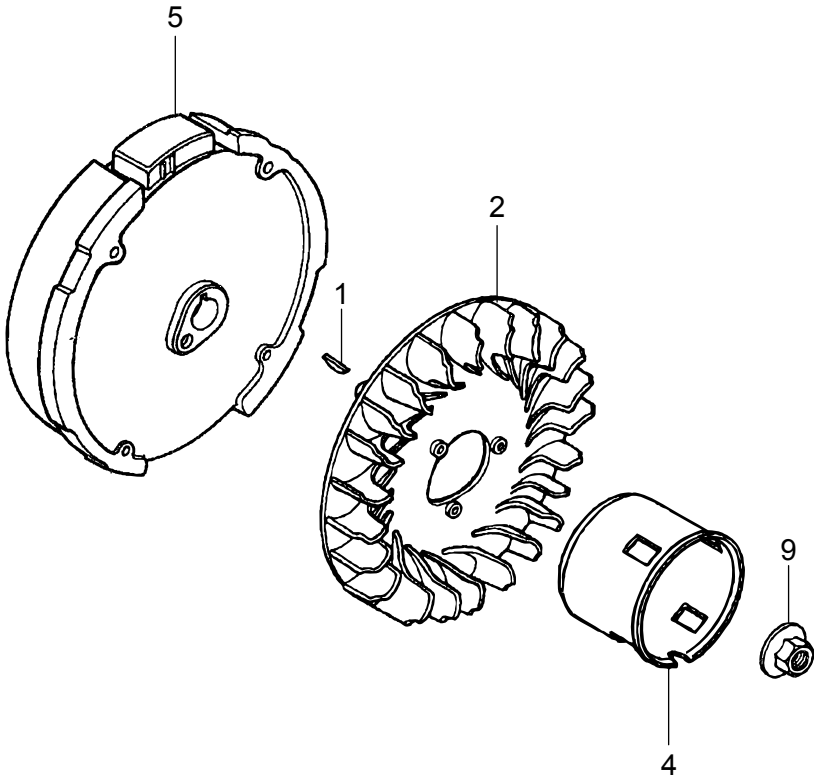
HONDA GX160 SERIES ENGINES — FUEL TANK ASSY.

NO.	PART NO.	PART NAME	QTY.	REMARKS
1	16854ZH8000	RUBBER, SUPPORT 107MM	1	
2♦♦	16955ZE1000	JOINT, FUEL TANK	1	
2♠♣	16955ZE1010	JOINT, FUEL TANK	1	
5%♦	17631Z0T812	GASKET, FUEL FILLER CAP	1	
5#♦	17631Z0T802	GASKET, FUEL FILLER CAP	1	
5\$♠♣	17631Z0T801	GASKET, FUEL FILLER CAP	1	
7	90004ZH7003	BOLT, FLANGE 6X29	1	
8	91353671003	O-RING 14MM.....	1	REPLACES P/N 91353671004
9	9405006000	FLANGE NUT 6MM	2	
10♦♦	950014500160M	TUBE, FUEL 4.5X1M	1	
10♠♣	91424Z4M003	TUBE, FUEL 4.5X145	1	
12♦	9500202080	CLAMP, TUBE (D8)	2	
12♦♠♣	950024080008	CLAMP, TUBE (D8)	2	
13♦	17620Z4H000	CAP COMP., FUEL FILLER	1	INCLUDES ITEM W/%
13♦	17620Z4H020	CAP COMP., FUEL FILLER	1	INCLUDES ITEM W/#
13♠♣	17620Z4H900	CAP COMP., FUEL FILLER	1	INCLUDES ITEM W/\$
14♦	17672ZE2W01	FILTER, FUEL	1	
14♦♠♣	17672Z4H000	FILTER, FUEL	1	
15♦	17510ZE1020ZF	TANK, FUEL (BLACK)	1	
15♦	17510ZE1030ZF	TANK, FUEL (BLACK)	1	
15♠♣	17510Z4M000ZB	TANK, FUEL (BLACK)	1	
16♦♦	90404680000	WASHER, 6.5X25X1.5	2	
16♠♣	90503898000	WASHER, 6.5X25X1.5	2	
17♦♦	91319ME5003	O-RING 5.5X1.4	2	
17♠♣	91302Z4M003	O-RING 5.5X1.5	2	

NOTICE

- ♦ GX160U1SM12
- ◇ GX160U1SMX4
- ♠ GX160UT2QMXC
- ♣ GX160UT2SMXC
- ♣ GX160UT2SCM

HONDA GX160 SERIES ENGINES — FLYWHEEL ASSY.



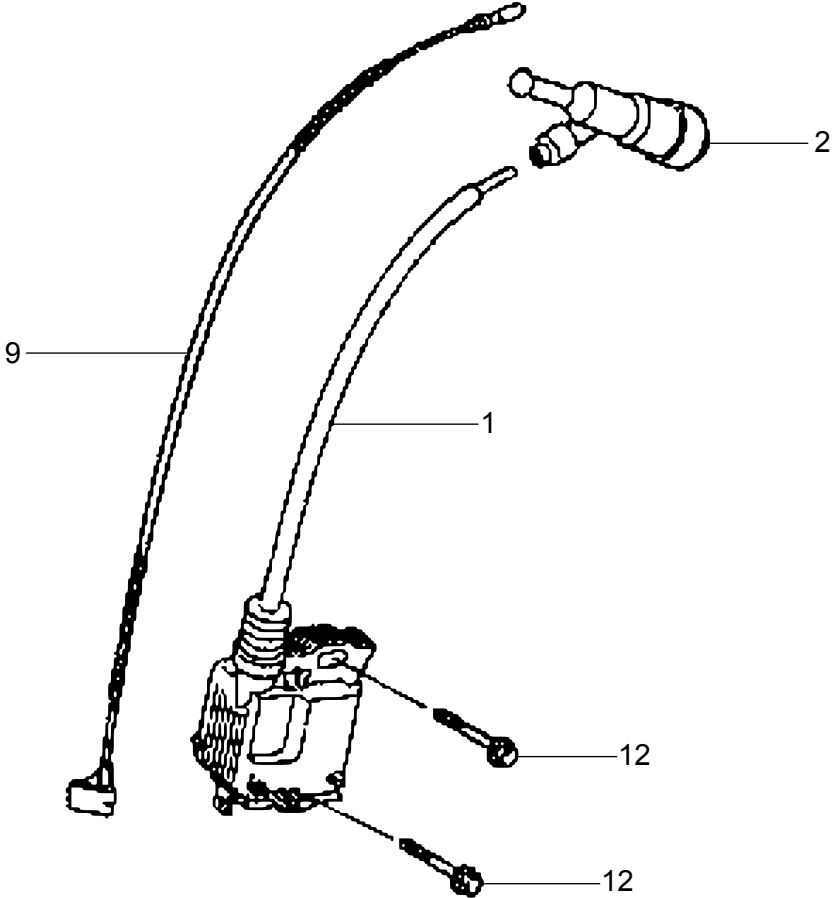
HONDA GX160 SERIES ENGINES — FLYWHEEL ASSY.

NO.	PART NO.	PART NAME	QTY.	REMARKS
1	13331357000	KEY, WOODRUFF 25X18	1	
2	19511ZE1000	FAN, COOLING	1	
4♦♦	28451ZH8001	PULLEY, STARTER	1	
4♠♠	28451ZH8801	PULLEY, STARTER	1	
4♣♣	28451Z4M003	PULLEY, STARTER	1	
5♦♦	31100ZE1010	FLYWHEEL	1	
5♠♣♠	31110Z4M000	FLYWHEEL	1	
9♦♦	90201878003	NUT, SPECIAL 14MM	1	
9♠♣♠	90201Z0T800	NUT, SPECIAL 14MM	1	

NOTICE

- ◆ GX160U1SM12
- ◇ GX160U1SMX4
- ♠ GX160UT2QMXC
- ♠ GX160UT2SMXC
- ♣ GX160UT2SCM

HONDA GX160 SERIES ENGINES — IGNITION COIL ASSY.



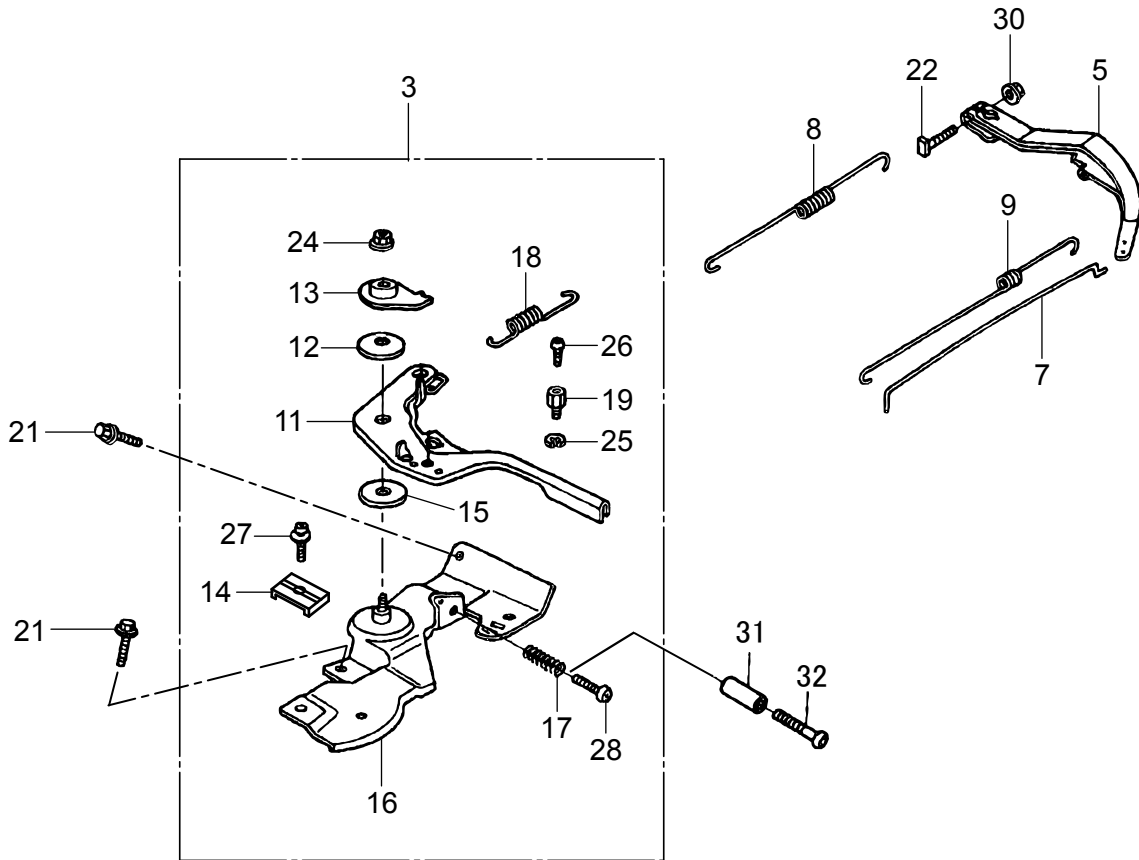
HONDA GX160 SERIES ENGINES — IGNITION COIL ASSY.

NO.	PART NO.	PART NAME	QTY.	REMARKS
1♦♦	30500ZE1073	COIL ASSY., IGNITION	1.....	REPLACES 30500ZE1063
1▷	30500ZOT802	COIL ASSY., IGNITION	1	
1♣♣	30500ZOT003	COIL ASSY., IGNITION	1	
2♦♦	30700ZE1013	CAP ASSY.	1	
2▷♣♣	30700ZOT812	CAP ASSY.	1	
9♦♦▷	36101ZE1010	CORD, STOP SWITCH 370MM	1	
9♣♣	32195ZOT003	CORD, STOP SWITCH 370MM	1	
12	957010602500	BOLT, FLANGE 6X25.....	2.....	REPLACES 90121952000

NOTICE

- ◆ GX160U1SM12
- ◇ GX160U1SMX4
- ▷ GX160UT2QMXC
- ♣ GX160UT2SMXC
- ♣ GX160UT2SCM

HONDA GX160 SERIES ENGINES — CONTROL ASSY.



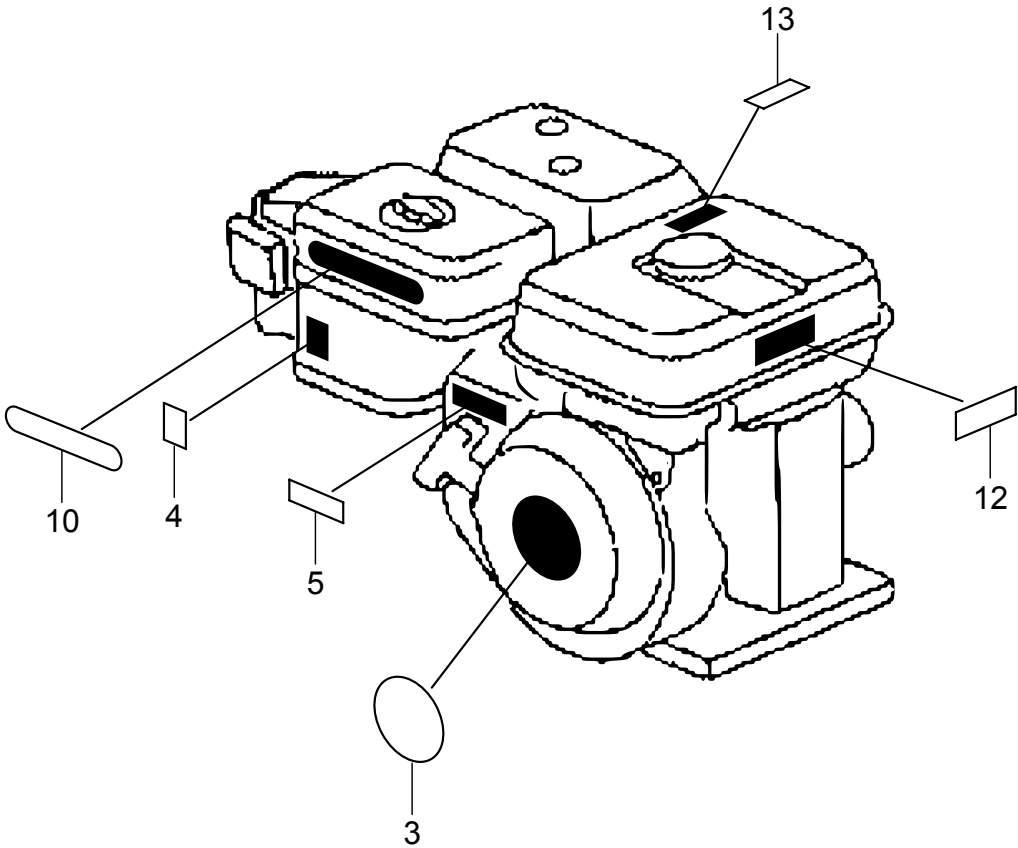
HONDA GX160 SERIES ENGINES — CONTROL ASSY.

NO.	PART NO.	PART NAME	QTY.	REMARKS
3♦♦	16500ZH8U43	CONTROL ASSY.....	1.....	INCLUDES ITEMS W/#
3D	16500Z4M306	CONTROL ASSY.....	1.....	INCLUDES ITEMS W/\$
3A	16500Z4M407	CONTROL ASSY.....	1.....	INCLUDES ITEMS W/%
3♣	16500Z0V780	CONTROL ASSY.....	1.....	INCLUDES ITEMS W/&
5♦♦	16551ZE0010	ARM, GOVERNOR	1	
5D♣	16551Z4M000	ARM, GOVERNOR	1	
7♦♦	16555ZE1000	ROD, GOVERNOR	1	
7D♣	16555Z4M000	ROD, GOVERNOR	1	
8♦♦	16561ZE1020	SPRING, GOVERNOR	1	
8D♣	16561Z4M010	SPRING, GOVERNOR	1	
9♦♦	16562ZE1020	SPRING, THROTTLE RETURN	1	
9D♣	16562Z4M000	SPRING, THROTTLE RETURN	1	
11#	16571ZH8020	LEVER, CONTROL	1	
11\$%&	16571Z4M000	LEVER, CONTROL	1	
12#\$%&	16574ZE1000	LEVER, SPRING	1	
13#\$%&	16575ZH8000	WASHER, CONTROL LEVER	1	
14#\$%&	16576891000	HOLDER, CABLE	1	
15#\$%&	16578ZE1000	SPACER, CONTROL LEVER	1	
16#	16580ZH8813	BASE CP, CONTROL	1	
16\$%	16580Z4M850	BASE CP, CONTROL	1	
16&	16580Z0V780	BASE CP, CONTROL	1	
17#\$%&	16584883300	SPRING, ADJUSTING	1	
18#\$%&	16592ZE1810	SPRING, CABLE, RETURN	1	
19#\$%&	16594883010	HOLDER, WIRE	1	
21	90013883000	BOLT, FLANGE 6X12	2	
22♦♦	90015ZE5010	BOLT, GOVERNOR ARM	1	
22D♣	90015Z5T000	BOLT, GOVERNOR ARM	1	
24#\$%	90114SA0000	LOCK NUT 6MM	1	
25#\$%&	90605230000	CIR CLIP	1	
26	0043504060	SCREW, PAN 4X6	2.....	REPLACES 93500040060H
27#\$%&	0202005T125	SCREW, PAN 5X16	1.....	REPLACES 93500050160A
28#\$%&	93500050250H	SCREW 5X25	1	
30	9405006000	FLANGE NUT 6MM	1	
31♦	16599ZG1M10	COLLAR, STOPPER	1.....	OPTION
32♦	90016ZG9N30	SCREW, RECESSED 5X25	1.....	OPTION

NOTICE

- ◆ GX160U1SM12
- ◇ GX160U1SMX4
- D GX160UT2QMXC
- A GX160UT2SMXC
- ♣ GX160UT2SCM

HONDA GX160 SERIES ENGINES — DECALS ASSY.



HONDA GX160 SERIES ENGINES — DECALS ASSY.

NO.	PART NO.	PART NAME	QTY.	REMARKS
3♦	87521ZH8030	EMBLEM (GX160)	1	
3◇	87521ZH8040	EMBLEM (GX160)	1	
3♣♣♣	87521Z4M000	EMBLEM (GX160)	1	
4♦♦	87528ZH7000	MARK, CHOKE	1	
4♣♣♣	87528Z4M000	MARK, CHOKE	1	
5	87532ZH7000	MARK, THROTTLE INDICATION	1	
10♣	87535ZE1841	MARK, AIR CLEANER	1	
12♦	87516ZH7000	MARK, OPERATOR CAUTION	1	
12◇	87516ZH7010	MARK, OPERATOR CAUTION	1	
12♣♣♣	87516Z4H010	MARK, OPERATOR CAUTION	1	
13◇	87539Z0J000	MARK, EX. CAUTION	1	
13♣♣♣	87539Z4M000	MARK, EX. CAUTION	1	

NOTICE

- ♦ GX160U1SM12
- ◇ GX160U1SMX4
- ♣ GX160UT2QMXC
- ♣ GX160UT2SMXC
- ♣ GX160UT2SCM