

OPERATING INSTRUCTIONS AND PARTS LIST INSTRUCCIONES DE OPERACION Y LISTA DE PIEZAS



Solo Trac Surface Grinder Gasoline Model

MODELS: SGH-11 (11 HP Honda Gasoline)

TARGET®

Model: _____

Serial Number: _____

Engine / Motor Serial No.: _____

Purchase Date: _____

This Document Supersedes All Earlier Dated Documents.

542190380

Copyright © May 20, 2004
Electrolux Construction Products,
Printed in U.S.A.

DECAL DESCRIPTIONS AND LOCATIONS DESCRIPCIÓN DE CALCAMONIAS Y UBICACIONES

TARGET SOLO TRAC

P/N: 542190383, Decal, Target Solo Trac
Location: Frame Sides (2), Quantity: 2 (All Models)

TARGET

P/N: 187698, Decal, Target
Location: Ballast Box Cover,
Quantity: 1 (All Models)



P/N: 176223, Decal, Warning
Location: On Frame Behind Front Shield (1),
Under Gearbox Cover On Top Of Gearbox (1)
Quantity: 2 (All Models)

Picture Not Available

P/N 541202055, Decal, Grease Bearings
Location: Front Of Frame,
Quantity: 1 (All Models)

Picture Not Available

P/N 541202054, Decal, Attention
Location: On Frame,
Quantity: 1 (All Models)

TARGET

TARGETBLUE.COM

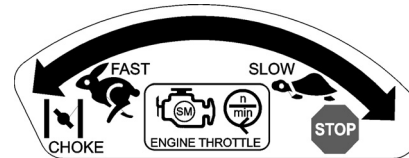
P/N: 187691, Decal, Targetblue.com
Location: On Frame Near S/N Plate
Quantity: 1(All Models)

TARGET

P/N: 187695, Decal, Target
Location: Rear of Ballast Box,
Quantity: 1 (All Models)



P/N: 169065, Decal, Muffler Hot
Location: On Engine, Quantity: 1(Gas Model Only)



P/N 542195323, Decal, Engine Throttle
Location: On Throttle Plate Behind Engine Throttle
Lever (1),
Quantity: 1 (All Gas Models)

Picture Not Available

P/N 541200722, Decal, SMI Caution
Location: On Frame, Quantity: 1 (All Models)

Picture Not Available

P/N 541202053, Decal, Caution
Location: On Frame,
Quantity: 1 (All Models)



P/N: 177588 Decal, Warning
Location: Top of Weight Box
Qty: 1 (All Models)

TARGET® Solo Trac SPECIFICATIONS

FEATURE	MODEL	
Model Number:	----	SGH-11
Item Number:	----	F60021
Power Source:	----	Gasoline
Maximum Horsepower:	----	11 (8,2 kw)
Motor / Engine Rated RPM:	----	3600
Power Source Brand:	----	Honda
Model / Specification:	----	GXV340
Voltage:	----	-----
Phase:	----	-----
Full Load Current @ 115V:	----	-----
Full Load Current @ 230V:	----	-----
Displacement:	-----	20.6 cubic inches (338 cc)
Bore:	-----	3.2 inch (82 mm)
Stroke:	-----	2.5 inch (64 mm)
Cylinders:	-----	1
Fuel Capacity:	-----	.61 US Gallon (2,3 Liter)
Oil Capacity:	-----	1.16 US Quart (2.32 US Pints) (1,09 Liter)
Air Filter:	-----	Dual Element: Pleated Paper & Foam Pre Cleaner
Starter:	----	Recoil
Coolant:	----	Air
Spindle Shaft RPM:	----	279 – 560 (Variable Speed Using Engine Throttle)
---	----	----
Nominal Weight:	----	297 Lb. (134,7 kg)
Operating Weight (With Tools, Fuel, Oil, Etc):	----	255 Lb. (115 kg)
Grinding Width:	10 or 12 inches (25,4 cm or 30,5 cm)	

Handle:	Three (3) Position Adjustment with Rubber Grips	

Tires & Wheels:	10" Diameter, 1.00" Bore, Semi-Pneumatic, Steel Wheel with Roller Bearings & Grease Fitting	
Axle:	1.00" Diameter, Zinc Plated with Four (4) Operation Positions	
Size: Length x Width x Height:	38.5" L x 22.0" W x 26.5" H (977,9mm L x 558,8mm W x 673,1mm H)	

Tool Application Guide

Tool	Attachment To Machine	Task	Surface Material
Diamond Disks See Current Product Catalog for Part Numbers of these Items.	Mounts Directly to Spindle Shaft. (Section 4.6)	Remove High Spots, Trowel & Rain Marks, Paints, Sealers & Mastics, Uneven Joints, Aggressive Grinding of Large Rough Areas, Removal of epoxies, paints and many thin film coatings, or Final Preparation for new coating. Available In Different "Grit" Sizes and 10 or 20 Diamond Segments (per disk): TDGH-10C for Cured Concrete (10 Segments) TDGH-20C for Cured Concrete (20 Segments) TDGH-20A for Asphalt or Abrasive Surfaces (20 Segments) Removal Rates: Up to five (5) times the material removal rate of Grinding Stones. Life: Up to 15 times the life of Grinding Stones.	Concrete Terrazzo Other Stone Types

PARTS LIST

LISTA DE PIEZAS

Parts List

Callout Designation:

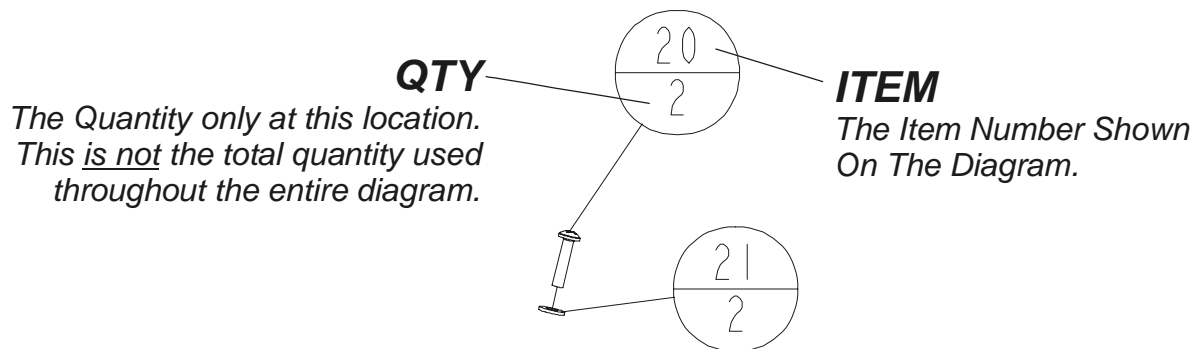


Diagram 1 – Frame & Axle Group

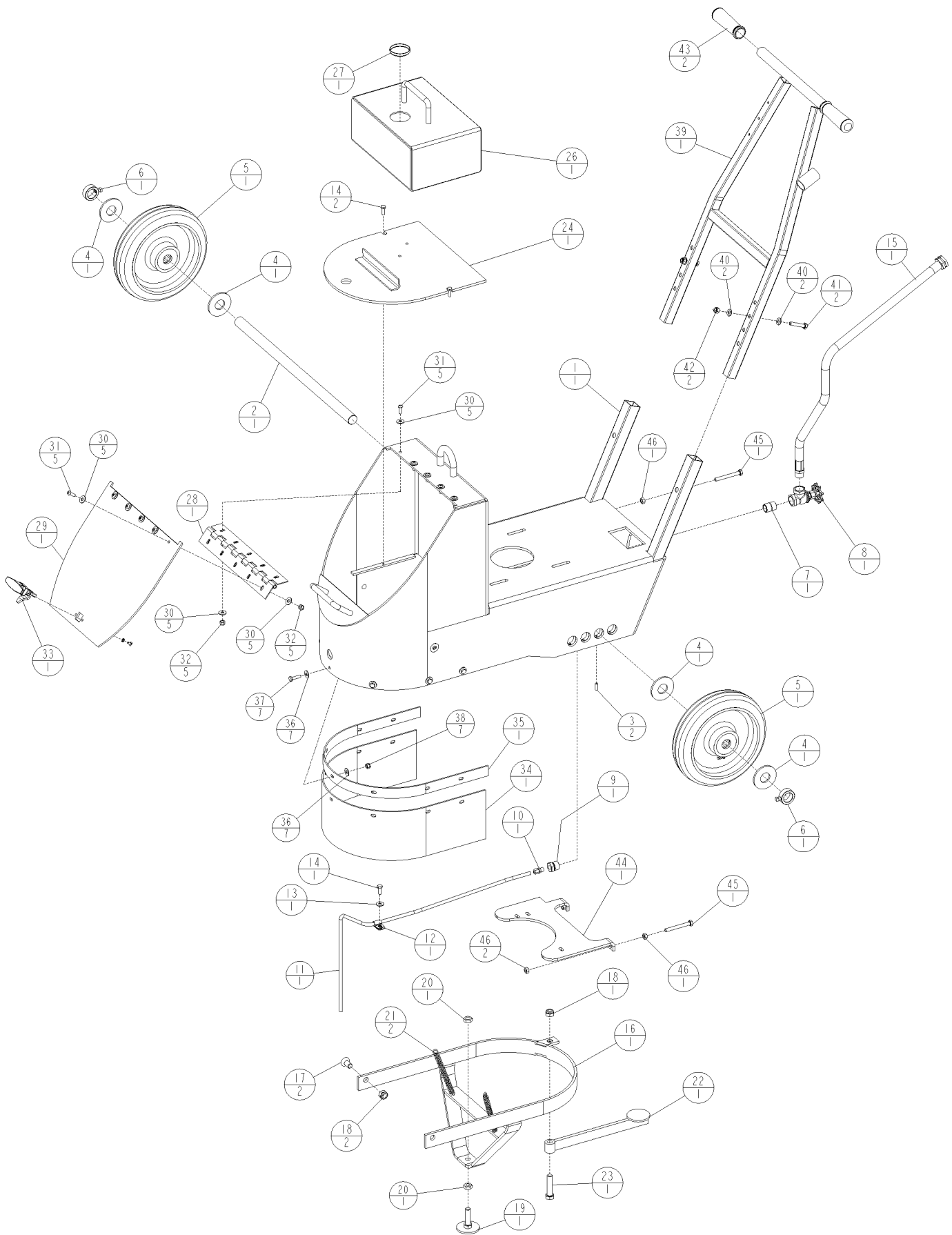


Diagram 1 Parts List – Frame & Axle Group

ITEM	P/N	DESCRIPTION	QTY
1	542195157	Frame Weldment, PC Blue	1
2	541203270	Axle	1
3	020674	Screw, Set Soc Cup Pt .250-20UNC x .75 (Later Models)	2
4	539300487	Washer, Flat 1.00	4
5	541201929	Rear Wheel 10 x 2.5 x 1	2
6	539300123	Set Collar, 1 ID	2
7	169081	Nipple, Brass, 1/2 NPT	1
8	541201975	Water Valve, 1/2 NPT	1
9	541205227	Reducer, 1/2 NPT x 1/8 NPT	1
10	541205228	FTG 1/8 NPT x 3/16 Tube	1
11	542195285	Water Tube, 28In	1
12	541205233	Clamp, Tube	1
13	539990055	Washer, Flat .250 SAE	1
14	539990580	Capscrew, Hex Hd .250-20UNC x .75	1
15	176177	Water Hose Assy, 49 Inch	1
16	541203262	Pivot Brkt Weldment	1
17	541205232	Pivot Bolt, Lifter	2
18	539101331	Nut, .500-13UNC Hex Nylock	3
19	541203269	Lifter Leg Base Pad	1
20	541205258	Nut, Jam Hex Hd .500-20UNF	2
21	541201995	Spring, Idler	2
22	541203268	Lifter Leg Pedal	1
23	541204943	Capscrew, Hex Hd .500-13UNC x 2.25	1
24	542195160	Cover Weldment, PC Blue	1
25	539990580	Capscrew, Hex Hd .250-20UNC x .75	2
26	541203261	Ballast Weight Weldment, PC Black	1
27	541202010	Expand Plug, 2 Dia	1
28	541203265	Hinge	1
29	542195162	Hood, PC Blue	1
30	539990055	Washer, Flat .250 SAE	20
31	541205196	Capscrew, Soc Bt Hd .250-20UNC x .75	10
32	539976978	Nut, .250-20UNC Hex Nylock	10
33	541202056	T-Handle/Hood Lock	1
34	541203409	Neoprene Skirt	1
35	541203260	Strap	1
36	539990055	Washer, Flat .250 SAE (Later Models)	14
--	734114601	Washer, Flat M5 (Early Models)	14
37	020306	Capscrew, Hex Hd .250-20UNC x 1.0 (Later Models)	7
--	725233371	Capscrew, Hex Hd M5 x 0.8 x 25mm (Early Models)	7
38	539976978	Nut, .250-20UNC Hex Nylock (Later Models)	7
--	732251401	Locknut, Fiber M5 x 0.8 (Early Models)	7
39	541203259	Handle Bar Weldment	1
40	539990188	Washer, Flat .312 SAE	4
41	541204633	Capscrew, Hex Hd .312-18UNC x 1.75	2
42	539990717	Nut, .312-18UNC Hex Nylock	2
43	139568	Grip, Handle	2
44	542190494	Belt Tension Plate	1
45	541205155	Capscrew, Hex Hd .312-18UNC x 2.75 FT	2
46	539990196	Nut, Std Hex .312-18UNC	4

Diagram 2 – Engine Group, 11 hp Honda

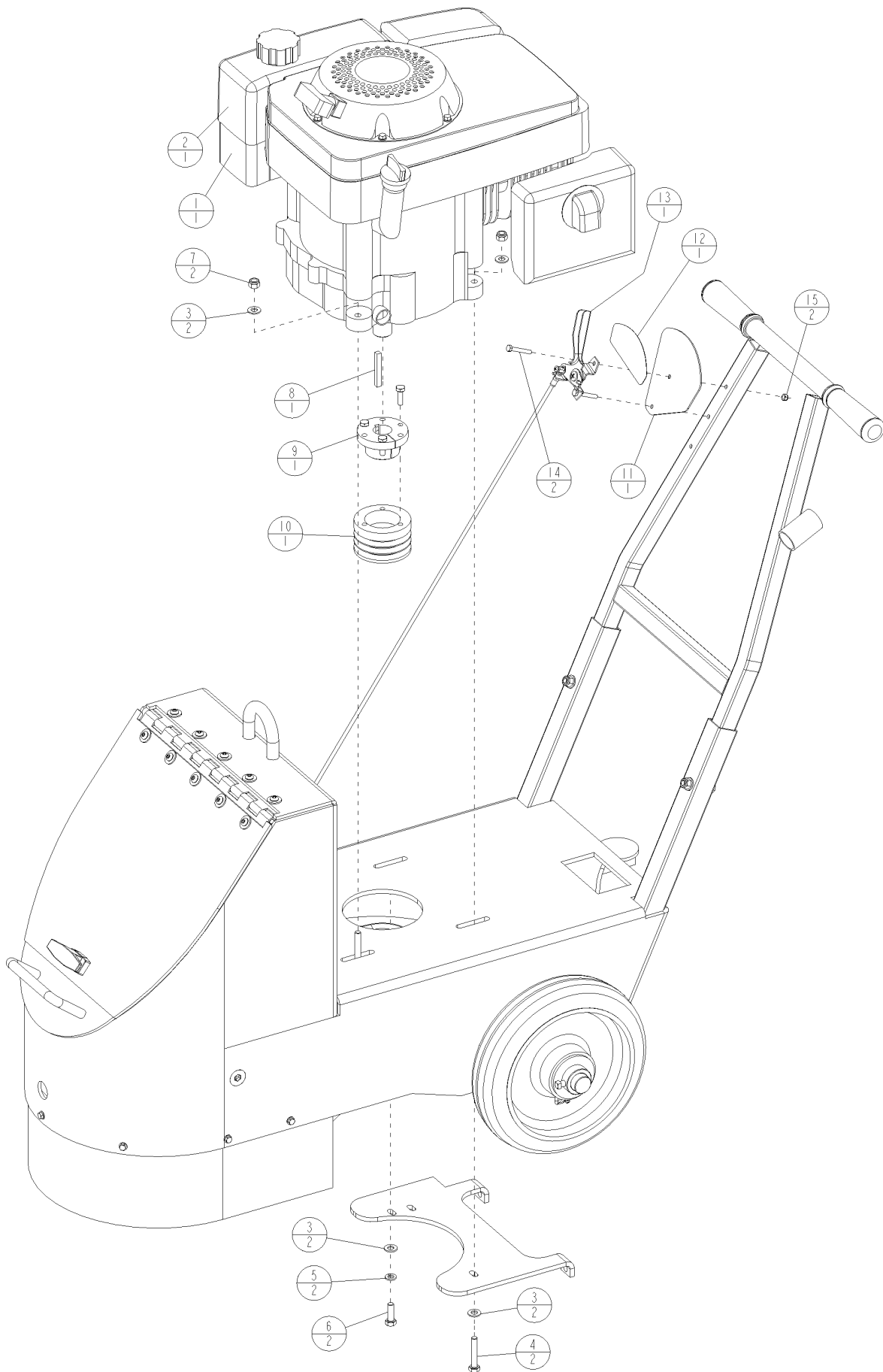


Diagram 2 Parts List – Engine Group, 11 hp Honda

INDEX	P/N	DESCRIPTION	QTY
1	-----	Engine Group, 11hp	1
2	541202052	Honda Engine, 11hp Model GXV340	1
3	539990188	Washer, Flat .312 SAE	6
4	541204633	Capscrew, Hex Hd .312-18UNC x 1.75	2
5	539990187	Washer, Lock 5/16 Z/P	2
6	541205197	Capscrew, Hex Hd .312-24UNF x 1.00	2
7	539990717	Nut, .312-18UNC Hex Nylock	2
8	539910210	Key, Square .250 x 2.00 Lg	1
9	539300560	Bushing, SH x 1	1
10	541201933	Sheave, 3/3v3.0 w/1.0 Bore	1
11	542195322	Plate, Decal Mounting	1
12	542195323	Decal, Cable Control	1
13	542195314	Control Cable, Panel Mount	1
14	7252337-71	Capscrew, Hex Hd M5 x 0.8 x 40mm	2
15	7322514-71	Locknut, Fiber M5 x 0.8	2

Parts List Callout Designation:

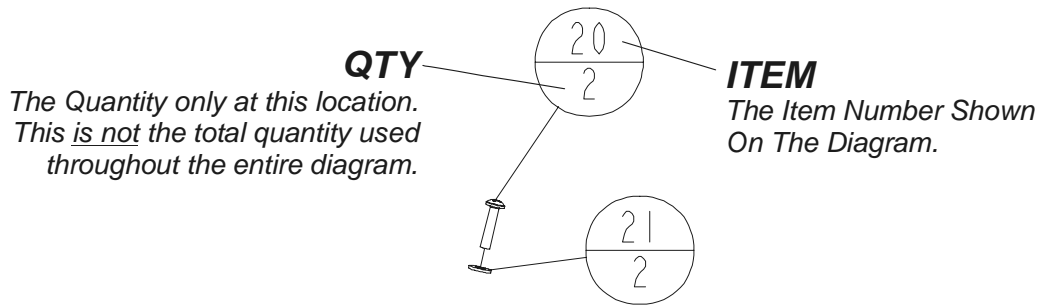


Diagram 3 – Belts & Spindle Pulley Group, 11 hp Honda

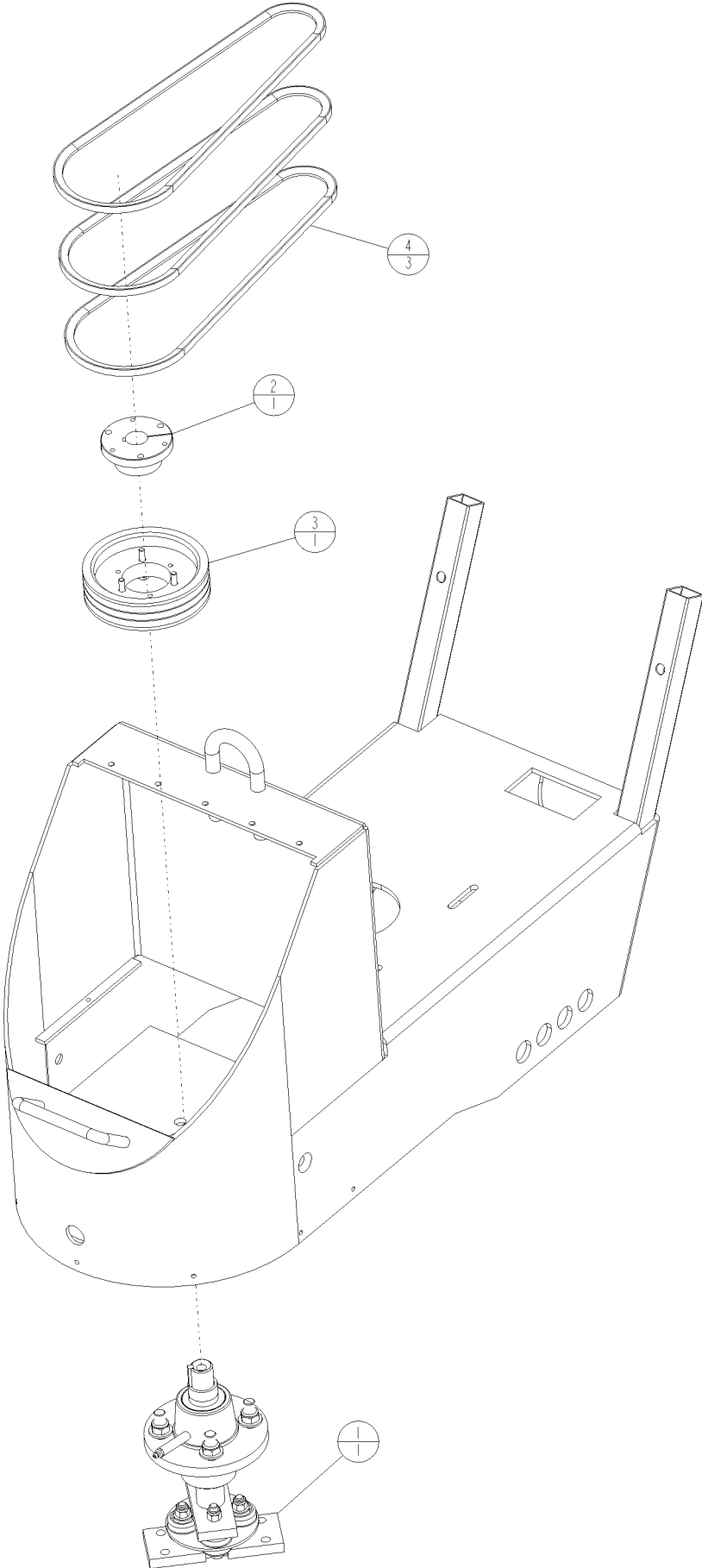


Diagram 3 Parts List – Belts & Spindle Pulley Group, 11 hp Honda

ITEM	P/N	DESCRIPTION	QTY
1	-----	Spindle Assy	1
2	541202004	Hub Assy, SDS 1.0	1
3	541202005	Pulley, 3GR3V 5.60 OD-SDS	1
4	172281	Belt, 3VX400	3

Parts List Callout Designation:

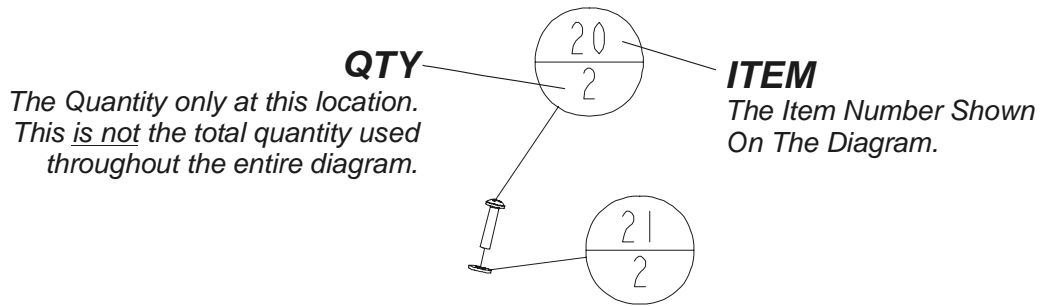


Diagram 4 – Spindle Group

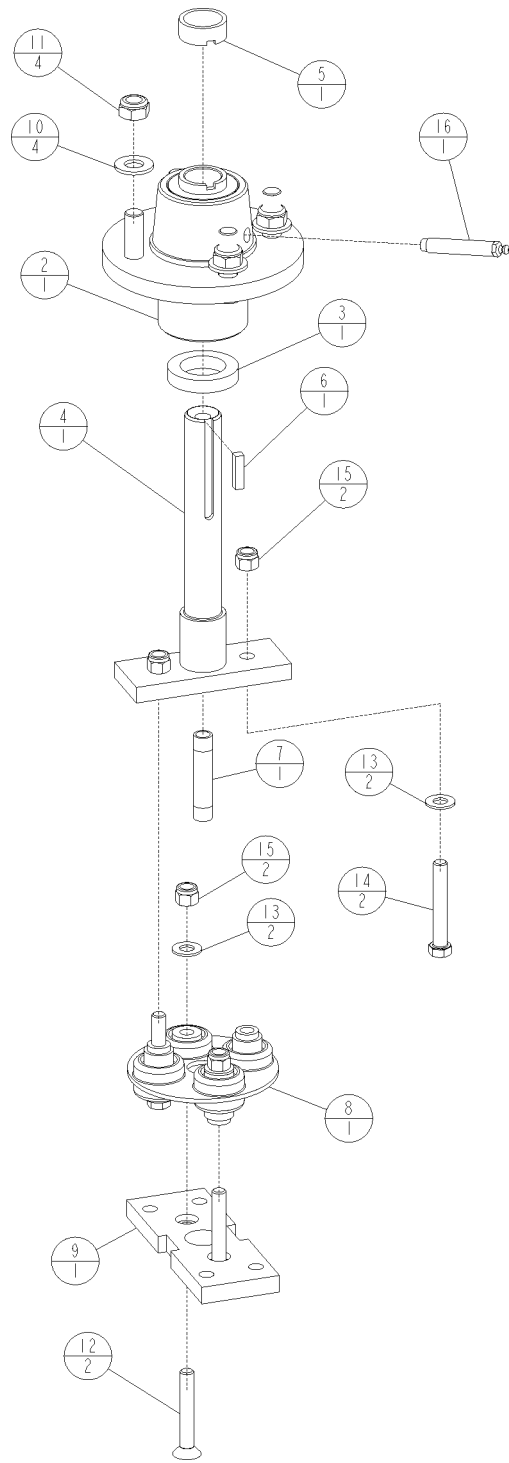
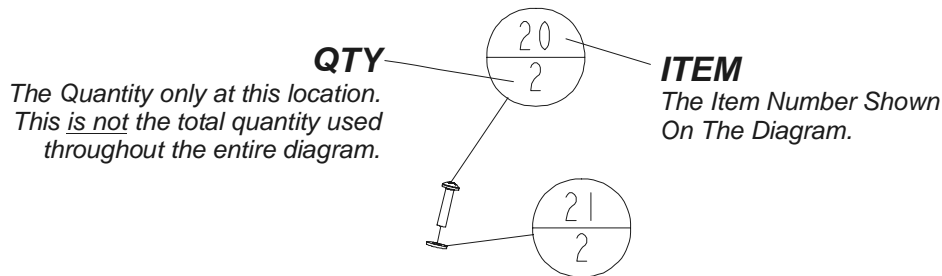


Diagram 4 Parts List – Spindle Group

Rev. 23June2003

ITEM	P/N	DESCRIPTION	QTY
1	-----	Spindle Assy	1
2	541203392	Hub Assy, w/2 Brgs, 1 Seal	1
3	541201997	Seal	1
4	541203391	Spindle	1
5	541201969	Seal Spacer, CG-80	1
6	541203404	Key, Square .250 x 1.00 Lg	1
7	541205226	Pipe Nipple, 1/4 NPT x 2.5	1
8	541201970	Flex Coupling Assy	1
9	541203390	Mowing Head Mount Plate	1
10	539990250	Washer, Flat .500 SAE	4
11	541205288	Nut, .500-20UNF Hex Nylock	4
12	541205230	Capscrew, Soc Flat Hd .375-16UNC x 2.50	2
13	539990122	Washer, Flat .375 SAE	4
14	539990637	Capscrew, Hex Hd .375-16UNC x 2.50	2
15	539976979	Nut, .375-16UNC Hex Nylock	4
16	163140	Fitting, Grease 1/8 PTF	1
-	-----	Diamond Disk Attaching Hardware (Not shown on Diag.):	
-	541205229	Bolt 3/8-24 x 7/8 GR5 HHCS	4
-	541205245	Washer, Lock, 3/8 Int. Tooth	4

Parts List Callout Designation:



Notes

Revisions to this document:

Rev 0, ECO 6241-1, Op Instr / Parts List Dated **26March2003** – First Publication Date.

Rev 1, ECO 6241-7, Op Instr / Parts List Dated **01April2003** – Diag 1, Item 38 P/N 732251401, Was 732251471, added P/N 177588 to Decal Locations page.

Rev 2, ECO 6418, Op Instr / Parts List Dated **23June2003** – Diag 4 parts list: Added P/N 541205229, QTY 4 and P/N 541205245, QTY 4 (not shown on diagram). Page 17: Added P/N's to "Tool Installation" paragraph, Section 4, Step 5.

Rev 3, ECO 6641, Op Instr / Parts List Dated **20May2004** – Diag 1 parts list: Item 7 (169081) Was P/N 539300243 (Close Nipple). Item 44 (542190494) Was 541203264.