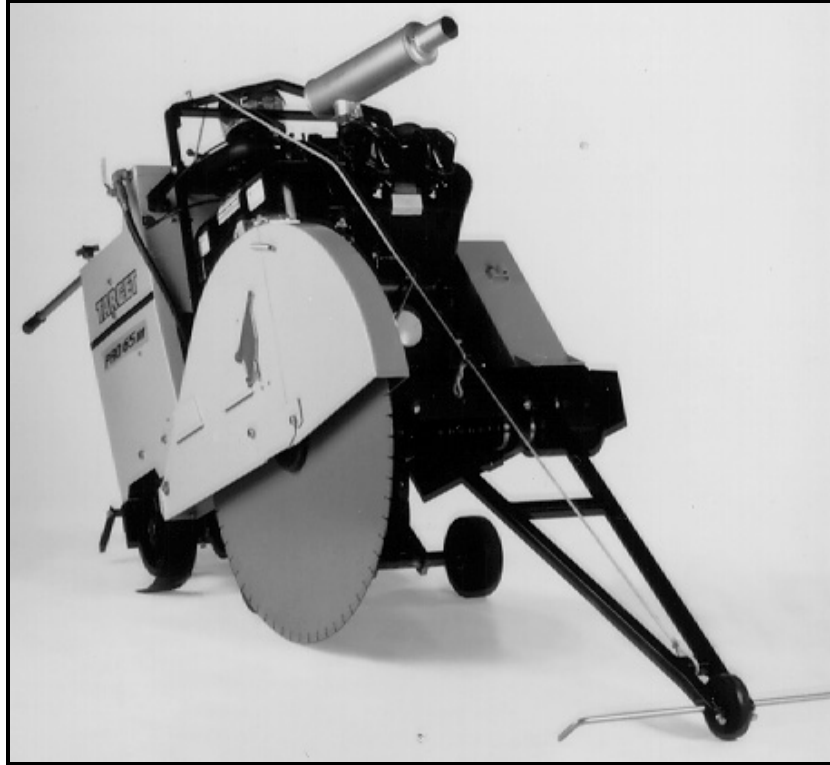


**PARTS LISTS
LISTA DE PIEZAS**



PRO 65 III (Shown)

TARGET®

PRO 40 III

TABLE OF CONTENTS



For quick supply of spare parts and to avoid any lost time, it is essential to quote the data on the manufacturer's plate fixed to the machine and the part description to be replaced with every order.

DESCRIPTION:

Warnings	4 - 5
1. Frame and Cowl Group.....	6 - 7
2. Engine and Blade Shaft Group	8 - 9
3. Self Propelling Group	10 - 11
4. Slip-On Blade Guard Group	12
5. Bolt-On 18"-36" Blade Guard Group	13
6. 48" Bolt-On Blade Guard Group.....	14
7. Lift Assembly.....	15
8. Hydraulic Pump Group.....	16
9. Hydraulic Schematic	17
10. 48" Conversion Kit Group.....	18
11. Side Plunge Kit Group	19
12. Instrument Panel Group.....	20
13. Light Group	21
14. Water Pump Group	22
15. Brake Assembly Group	23
16. Wiring Diagram Pro 40III.....	24
17. Wiring Diagram Pro 65III Basic.....	25
18. Wiring Diagram Pro 65III Premium	26
Decal Descriptions and Locations	27 – 29
Repairs / Spare Parts	30

FREQUENTLY USED PART NUMBER - USE GENUINE TARGET PARTS.

Fuel Filter.....	045639
Air Filter - Primary Element.....	163659
Air Filter - Safety Element.....	163660
Oil Filter.....	015071

FIGURE 1 - FRAME & COWL

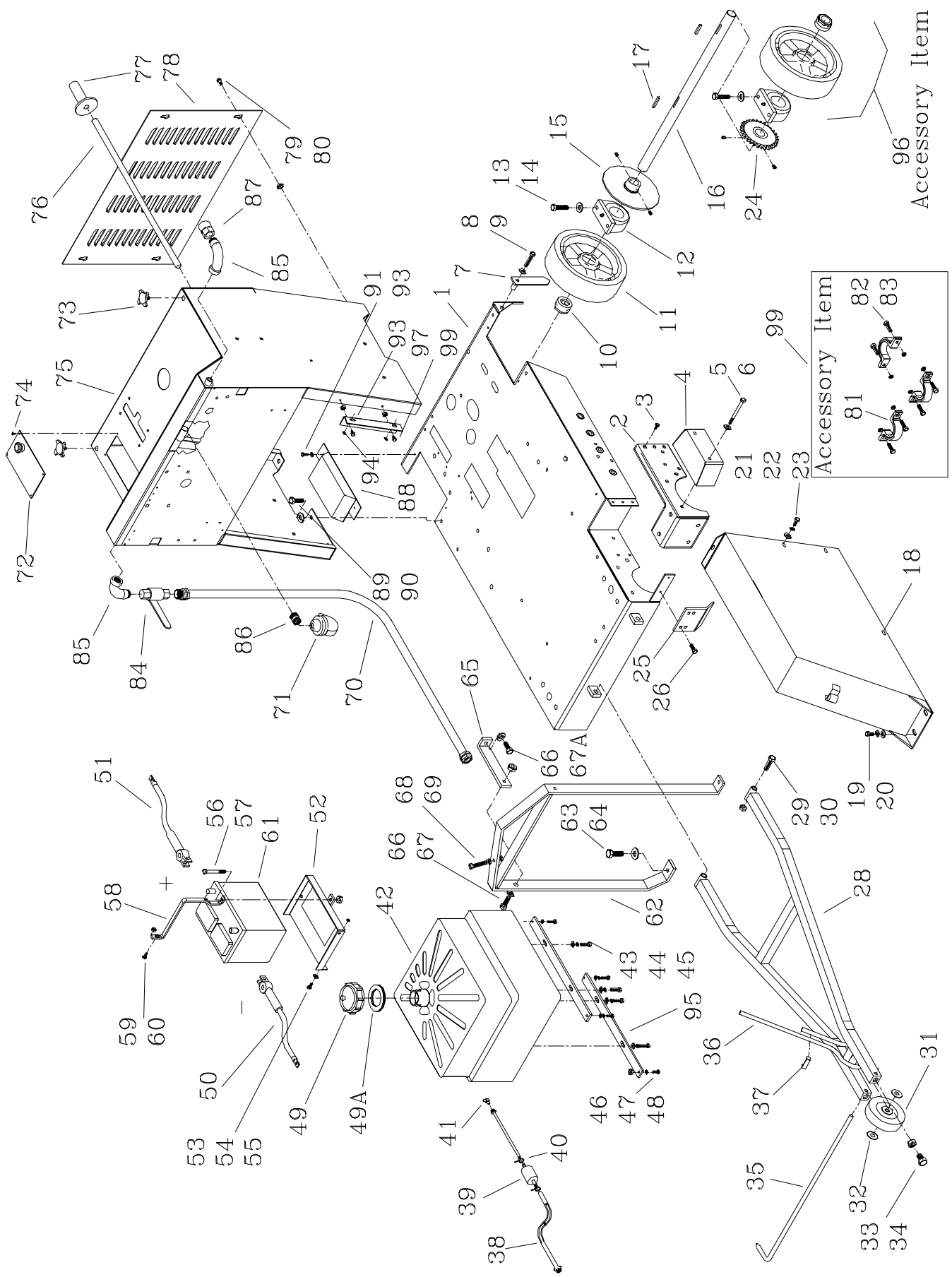


FIGURE 1 - PARTS LIST

Key: ●Pro65III Premium Item Only; ○Pro65III Basic Item Only; ■Pro40III Item Only.

DIAG. LOC.	PART NO.	QTY. REQ.	DESCRIPTION	DIAG. LOC.	PART NO.	QTY. REQ.	DESCRIPTION
1	183041	1	Frame Weldment	53	139744	2	Capscrew, Hex Hd., M10 x 1.5 x 20
2	176556	1	Frame Corner	54	173014	2	Washer, Flat M10
3	139760	3	Mach. Screw, Slotted Hd., M6 x 1.0 x 20	55	139748	2	Locknut, Fiber, M10
4	163022	1	Shaft Guard	56	167427	1	Bolt, Carriage M8 x 1.25 x 80
5	172501	2	Capscrew, Hex Hd., M10 x 1.5 x 110	57	139738	1	Locknut, Fiber, M8
6	162004	2	Lockwasher, Split, M10	58	167429	1	Hold Down Bar, Battery
7	047091	1	Pointer Weldment-Rear	59	139761	1	Capscrew, Hex Hd., M6 x 1.0 x 20
8	164968	1	Capscrew, Hex Hd., M10 x 1.5 x 50	60	139745	1	Locknut, Fiber, M6
9	173014	1	Washer, Flat, M10	61	163121	1	Battery, 12V Wet
10	176657	2	Quick Connect Hub	62	163084	1	Lift Bail
11	176656	2	Wheel, 10" x 3" x 2" ID	63	15700260A	2	Capscrew, Hex Hd., 3/4"-10 x 2"
12	047161	2	Bearing, 1-1/4"	64	020791	2	Lockwasher, Split, 3/4"
13	021404	4	Capscrew, Hex Hd., 1/2"-12 x 3"	65	163655	1	Brace, Lift Bail
14	020788	4	Lockwasher, Split, 1/2"	66	167558	1	Capscrew, Hex Hd., M12 x 1.75 x 45
15	176909	1	Brake Disc ●■	67	139742	1	Locknut, Fiber, M12
--	020550	2	Setscrew, Soc. Hd. 5/16-18x3/8" ●■	67A	172495	1	Lockwasher, Split, M12
16	176654	1	Axle, Rear	68	164968	1	Capscrew, Hex Hd., M10 x 1.5 x 50
17	163686	2	Key, 1/4" Sq. x 1-3/4" Round End ●■	69	176222	2	Nut, Hex Jam, M10
18	176672	1	Belt Guard Assembly	70	163656	1	Hose Assembly, Water 60"
19	139744	2	Capscrew, Hex Hd., M10 x 1.5 x 20	71	047136	1	Switch, Water Safety ●■
20	162004	2	Lockwasher, Split, M10	72	176566	1	Plate, Pump Cover
21	139761	4	Capscrew, Hex Hd., M6 x 1.0 x 20	73	166038	2	Knob, Handle
22	163689	4	Lockwasher, Split, M6	74	020587	4	Screw, Hex Washer #10-24 x 3/8"
23	139746	4	Washer, Flat M6	75	176547	1	Cowl Weldment
24	163251	1	Sprocket Assembly w/ SS	76	117194	2	Handle Extension
--	020550	2	Setscrew, Socket Hd. 5/16"-18 x 3/8"	77	139568	2	Handle Grip
25	163608	1	Belt Guard	78	163250	1	Transmission Guard Assembly
26	047792	2	Capscrew, Hex Hd., M10 x 1.5 x 30	79	167925	4	Capscrew, Flange Hd., M8 x 1.25 x 30
27	139748	2	Locknut, Fiber, M10	80	139738	4	Locknut, Fiber, M8
28	163072	1	Pointer Weldment-Front	81	163977	2	Chain Loop Tiedown
29	139765	2	Capscrew, Hex Hd., M10 x 1.5 x 40	82	047792	4	Capscrew, Hex Hd., M10 x 1.5 x 30
30	176222	2	Nut, Hex Jam, M10	83	139748	4	Locknut, Fiber, M10
31	163582	1	Wheel, 5"	84	040261	1	Valve, Ball
32	020766	2	Washer, Flat 1/2" SAE	85	020810	2	Street Elbow, 1/2" NPT
33	020377	2	Capscrew, Hex Hd., 3/8"-16 x 1-1/2"	86	020293	1	Close Pipe Nipple, 1/2" NPT
34	020136	2	Nut, Hex 3/8"	87	045642	1	Hose Swivel w/ Washer
35	160196	1	Rod, Pointer	88	163026	2	Fender ●■
36	020890	10 ft	Cord, Sash	89	139751	6	Capscrew, Hex Hd., M12 x 1.75 x 25
37	043203	2	Clamp	90	172495	6	Lockwasher, Split, M12
38	175277	1	Fuel Line	91	139761	4	Capscrew, Hex Hd., M6x1.0x20 ●■
39	045639	1	Filter, Fuel	92	163689	4	Lockwasher, Split, M6 ●■
40	045641	2	Clamp, Hose	93	176570	1	Clip, Belt Guard Mounting
41	046296	1	Elbow, Brass	94	176595	2	Palnut, M6 - 1.0
42	160071	1	Fuel Tank, 9 Gallon	95	176659	2	Fuel Tank Mounting Bar
43	197227	4	Capscrew, Hex Hd., M8 x 1.25 x 20	97	163688	2	Capscrew, Hex Hd., M6 x 1.0 x 16
44	173059	4	Washer, Flat, M8	98	139745	2	Locknut, Fiber, M6
45	173019	4	Lockwasher, Star External, M8				
46	139761	4	Capscrew, Hex Hd., M6 x 1.0 x 20				
47	163689	4	Lockwasher, Split, M6				
48	139745	2	Locknut, Fiber, M6				
49	160194	1	Gas Cap w/ Gauge ●■				
--	183106	1	Gas Cap, Plain ○				
49A	045390	1	Rubber Grommet, 2.31" ID	96	177325	1	Kit, Quick Disconnect Rear Wheels
50	163179	1	Battery Cable, Negative Black, 40"	99	167568	1	Kit, Tiedown Bracket
51	163180	1	Battery Cable, Positive Red, 52"				
52	164748	1	Bracket, Battery				

FIGURE 2 - ENGINE & BLADE SHAFT GROUP

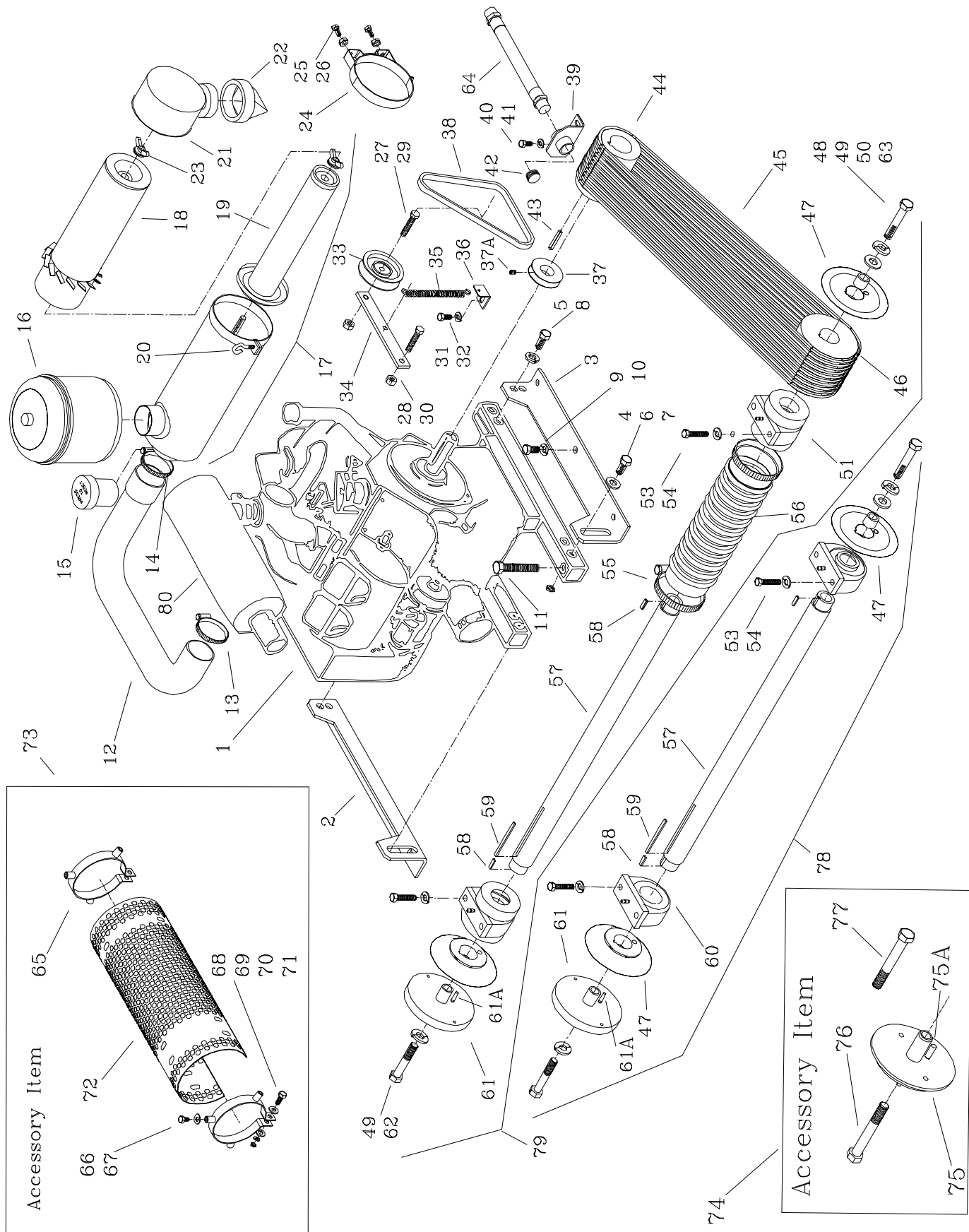


FIGURE 2 - PARTS LIST

Key: ●Pro65III Premium Item Only; ○Pro65III Basic Item Only; ■Pro40III Item Only.

DIAG. LOC.	PART NO.	QTY. REQ.	DESCRIPTION	DIAG. LOC.	PART NO.	QTY. REQ.	DESCRIPTION
1	176831	1	Engine, Wisconsin 65HP ●○	46	163723	1	Pulley 10Gr3V4.12-1.75 w/SS (18-26") ●○
--	176832	1	Engine, Wisconsin 37HP ■	--	163724	1	Pulley 10Gr3V5.20-1.75 w/SS (30-36") ●○
2	166320	1	Bracket, Engine Base, Right	--	163723	1	Pulley 10Gr3V4.12-1.75 w/SS (18") ■
3	163015	1	Bracket, Engine Base, Left	--	166304	1	Pulley 8G3V4.75-1.75 w/SS (26-30") ■
4	166355	2	Capscrew, Hex Hd., M16 x 2.0 x 85	47	166284	2	Flange, Inner 5" (18 - 26")
5	15701291	2	Capscrew, Hex Hd., 5/8"-11 x 1-3/4"	--	163270	2	Flange, Inner 6" (30 - 36")
6	167448	2	Locknut, Fiber, M16	48	163487	1	Capscrew, Hex Hd., 5/8"-11 x 3-1/2" RH
7	160393	2	Washer, Flat, 11/16" ID x 5/16" Thick	49	020778	2	Lockwasher, Hi-Collar, 5/8"
8	020790	2	Lockwasher, Split, 5/8"	50	163486	1	Spacer, Blad shaft QD
9	139741	6	Capscrew, Hex Hd., M12 x 1.75 x 30	51	166419	2	Bearing, Sealed, 1-3/4" ●
10	020788	6	Lockwasher, Split, 1/2"	--	163140	2	Fitting, Grease
11	020272	1	Bolt, Hex Tap, 5/8"-11 x 5"	52	-----	--	-----
12	163644	1	Hose, Air Intake	53	163547	4	Capscrew, Hex Hd., 5/8"-11 x 3.5"
13	020050	1	Clamp, Hose 2"	54	020790	4	Lockwasher, Split, 5/8"
14	15700702	1	Clamp, Hose M-44	55	15701380	2	Clamp, Hose, 3-1/2" ●
15	163664	1	Indicator, Air Restriction ●■	56	176641	1	Hose, Shaft Guard ●
16	15700704	1	Pre-Cleaner Assembly	57	163098	1	Blad shaft, QDS
17	163658	1	Air Cleaner Assembly	58	043054	2	Key, Round End 1/4" x 27/32"
18	163659	1	Filter, Primary Element	59	020076	1	Key, 3/8 Sq. x 4"
19	163660	1	Filter, Safety Element	60	160575	2	Bearing, 1-3/4" ○■
20	163661	1	Clamp Assembly	--	164243	2	Fitting, Grease
21	163662	1	Cup Assembly	61	166307	1	Flange, Outer 5" w/Pin (18-26")
22	175331	1	Rubber Dust Unloader	--	163272	1	Flange, Outer 6" w/Pin (30-36")
23	163663	1	Nut Assembly (incl.2 Wingnuts)	61A	020304	1	Pin, Dowel 3/8" Dia x 1.5"
24	045631	2	Mounting Band	62	163488	1	Capscrew, Hex Hd., 5/8"-11 x 3-1/2" LH
25	197227	4	Capscrew, Hex Hd., M8 x 1.25 x 20	63	020747	1	Washer, Flat, 5/8"
26	139738	4	Locknut, Fiber, M8	64	163577	1	Oil Drain Hose Assembly (Pro65)
27	139766	1	Capscrew, Hex Hd., M10 x 1.5 x 45	--	166293	1	Oil Drain Hose Assembly (Pro40)
28	172605	1	Bolt, Pivot, 3/8"-16 x 1.75"	65	163999	2	Clamp, Muffler Shield
29	139748	1	Locknut, Fiber, M10	66	172028	6	Capscrew, Hex Hd., M8 x 1.25 x 16
30	020136	1	Nut, Hex 3/8"-16	67	173059	6	Washer, Flat, M8
31	173005	1	Capscrew, Hex Hd., M10 x 1.5 x 16	68	139753	2	Capscrew, Hex Hd., M8 x 1.25 x 30
32	162004	1	Lockwasher, Split, M10	69	173059	4	Washer, Flat, M8
33	167764	1	Pulley1G4L3.0 - 3/8, M10 w/Bushing	70	173019	4	Lockwasher, External Tooth, M8
34	043451	1	Idler Arm	71	172027	2	Nut, Hex, M8
35	163260	1	Spring, Idler	72	163997	1	Shield, Muffler
36	163259	1	Clip, Idler Spring	73	167142	1	Kit, Muffler Shield (Accessory)
37	047121	1	Pulley 1GA3.5 - 2.0 w/SS (18") ●○	74	177327	1	Kit, Blade Stacking, 5" Flange (Accessory)
--	-----	-	Not Used On Pro40	--	163480	1	Kit, Blade Stacking, 6" Flange (Accessory)
37A	020540	2	Set Screw, Socket Hd., 1/4"-20 x 1/4"	75	177333	1	Flange, Outer 5" w/ Dowel Pin
38	048855	1	V-Belt: A-56 (18" only)	75A	163484	1	Pin, Dowel 3/8" Dia x 3.0"
--	176679	1	V-Belt: 3L580 (All other saws)	--	163481	1	Flange, Outer 6" w/ Dowel Pin
39	163594	1	Bracket	76	163487	1	Capscrew, Hex Hd., 5/8"-11 x 3-1/2" RH
40	139744	2	Capscrew, Hex Hd., M10 x 1.5 x 20	77	163488	1	Capscrew, Hex Hd., 5/8"-11 x 3-1/2" LH
41	162004	2	Lockwasher, Split, M10	78	176630	1	Blad shaft Ass'y, Ball Bear'g, (18-26") ○
42	166016	1	Plug, Oil Drain Hose	--	176662	1	Blad shaft Ass'y, Ball Bear'g, (30-36") ○
43	163684	1	Key, 1/2" Sq. x 5-1/4"	--	176630	1	Blad shaft Ass'y, Ball Bear'g (18") ■
44	048073	1	Pulley 8G3V4.75 - w/SK 2.0 (18") ●○	--	176755	1	Blad shaft Ass'y, Ball Bear'g, (26-30") ■
--	163725	1	Pulley 11G3V3.65 w/SS (26-36") ●○	79	176631	1	Blad shaft Ass'y, 4-Sealed, (18-26") ●
--	166304	1	Pulley 8G3V4.75 - 1.75 w/SS (18") ■	--	176663	1	Blad shaft Ass'y, 4-Sealed, (30-36") ●
--	048072	1	Pulley 8G3V3.65 - 1.75 w/SS (26-30") ■	--	176631	1	Blad shaft Ass'y, 4-Sealed, (18") ■
45	175138	1	V-Belt, 3VX520 - 4 Band; Set of 2,(18")●	--	176754	1	Blad shaft Ass'y, 4-Sealed, (26-30") ■
--	163720	1	V-Belt, 3VX520, Set of 8, (18") ○	80	166322	1	Muffler
--	175139	1	V-Belt, 3VX500 - 5 Band; Set of 2,(26")●				
--	163722	1	V-Belt, 3VX500, Set of 10, (26") ○				
--	175140	1	V-Belt,3VX520-5 Band, Set of 2,(30-36")●				
--	163721	1	V-Belt, 3VX520, Set of 10, (30-36") ○				
--	166305	1	V-Belt, 3VX520, Set of 7, (18") ■				
--	166306	1	V-Belt, 3VX500, Set of 7, (26-30")■				

FIGURE 3 - SELF PROPELLING GROUP

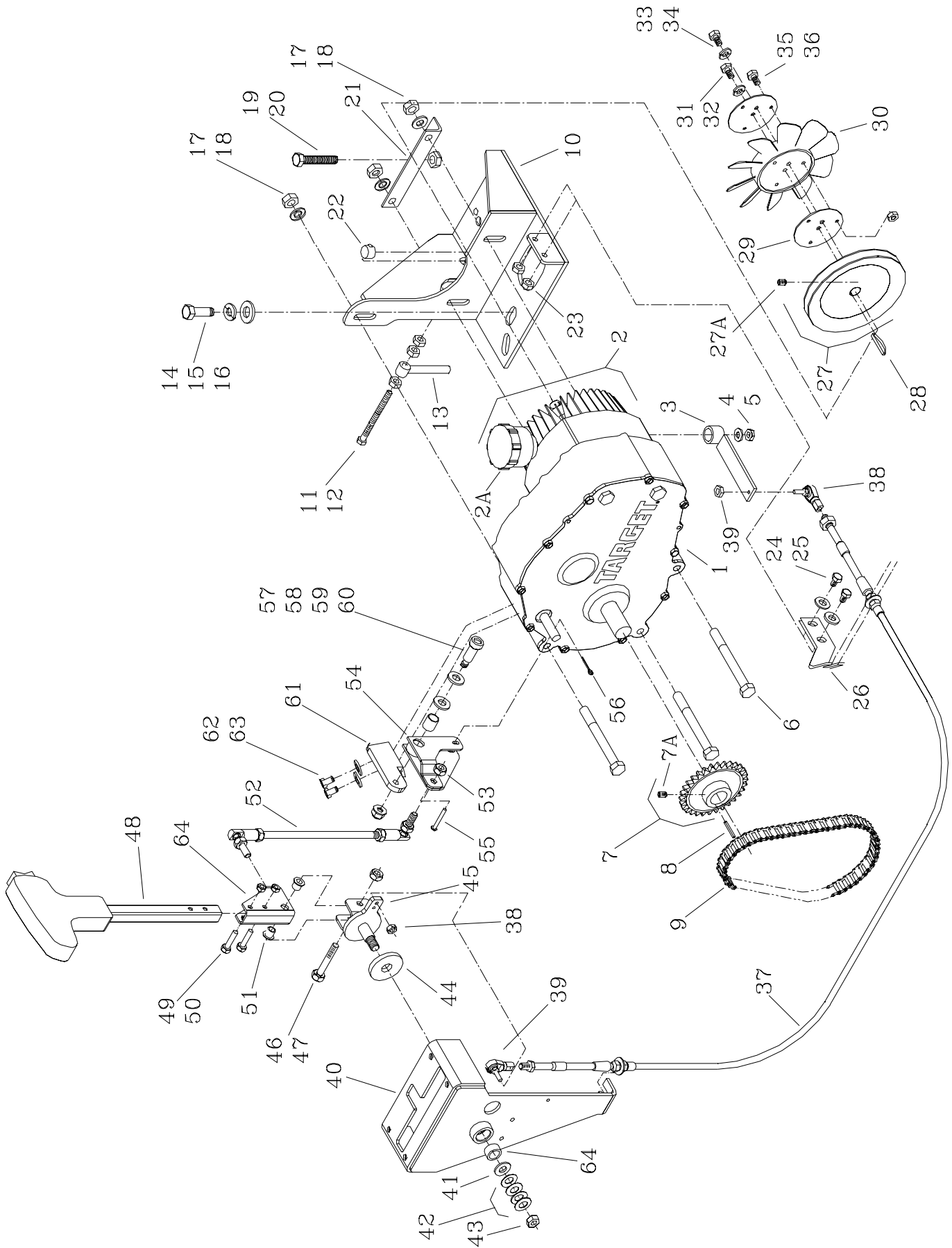


FIGURE 3 - PARTS LIST

Key: ●Pro65III Premium Item Only; ○Pro65III Basic Item Only; ■Pro40III Item Only.

DIAG. LOC.	PART NO.	QTY. REQ.	DESCRIPTION	DIAG. LOC.	PART NO.	QTY. REQ.	DESCRIPTION
1	166553	1	Gearbox Assembly	38	166466	2	Rod End
2	046131	1	Transmission, Eaton Hydrostatic	39	166891	2	Locknut, #10-32
2A	048326	1	Oil Reservoir w/ Cap and O-Ring	40	176994	1	Speed Control/Shift Frame
3	176533	1	Speed Control Arm	41	020745	1	Washer, Flat 1/2" Wide
4	020199	1	Locknut, Hex, 3/8"-16	42	183124	4	Washer, Bellville 1/2"
5	173014	1	Washer, Flat, M10	43	139742	1	Locknut, M12 x 1.75
6	176668	3	Capscrew, Hex Hd., M10 x 1.5 x 120	44	181039	1	Washer, Friction-Fiber .25 x .63 x 2.0"
7	163728	1	Sprocket Ass'y, 27 Tooth w/SS (18")	45	176996	1	Arm, Shifter Pivot
--	163729	1	Sprocket Ass'y, 19 Tooth w/SS (26-48")	46	183154	1	Capscrew, Hex 3/8"-16 special
7A	020550	2	Setscrew,Socket Hd., 5/16"-18 x 3/8"	47	020199	1	Locknut, Hex 3/8"-16
8	020082	1	Key, 1/4" Sq. x 1.0"	48	183135	1	Handle and Switch Assembly
9	176702	1	Chain #50, 62 Pitches (18")	49	167483	2	Capscrew, Hex M6 x 1.0 x 35
--	166677	1	Chain #50, 58 Pitches (26 - 48")	50	139745	2	Locknut, Hex M6 x 1.0
10	176516	1	Gear Box Mounting Bracket	51	183001	2	Iglide Bushing
11	167439	1	Capscrew, Hex Hd., M12 x 1.75 x 100	52	183010	1	Linkage Assembly, Shift ●■
12	173010	3	Nut, Jam, M12	53	020171	2	Nut, Hex Jam 3/8" ●■
13	163132	1	Guide Pin	54	183002	1	Link Assembly, Shift Lever, (incl. 59) ●■
14	021415	2	Capscrew, Hex 1/2" - 13 x 3.25"	55	166601	1	Pin, Clevis, .18" ●■
15	020788	2	Lockwasher, Split, 1/2"	56	020613	1	Pin, Cotter, 3/32" x 1-1/4" ●■
16	020745	2	Washer, Flat 1/2"	57	139022	1	Shoulder Screw, Socket Hd., 3/8"-16 x 1" ●■
17	020743	3	Washer, Flat, 3/8"	58	020766	2	Washer, Flat, 1/2" SAE ●■
18	139748	3	Locknut, Fiber, M10	59	166607	1	Bushing, Bronze .5025"x.689"x.75" ●■
19	164968	1	Capscrew, Hex Hd., M10 x 1.5 x 50	60	020196	1	Locknut, Fiber, 3/8" ●■
20	139750	1	Nut, Hex, M10	61	176525	1	Bracket, Pivot ●■
21	176523	1	Tensioning Bracket	62	167502	2	Capscrew, Socket Hd., M6x1.0x20 ●■
22	167720	1	Swivel, M12-1.75	63	163689	2	Lockwasher, Split, M6 ●■
23	139738	2	Locknut, Fiber, M8	64	176998	1	Bracket, Pivot Point
24	139753	2	Capscrew, Hex Hd., M8 x 1.25 x 30				
25	173059	2	Washer, Flat, M8				
26	176531	1	Cable Bracket				
27	176718	1	Transmission Pulley w/ SS				
27A	020540	2	Setscrew, Socket Hd., 1/4"-20 x 1/4"	--	166538	1	<u>Common Replacement Parts</u> Input Pinion
28	020085	1	Key, Woodruff (ANSI #404)	--	166541	1	Output Shaft
29	163040	2	Attachment Plate	--	166544	1	Internal Snap Ring (Input Pinion)
30	163105	1	Fan Blade	--	166546	2	Bearing, 25mm (Output Shaft)
31	020381	1	Capscrew, Hex Hd., 1/4"-20 x 7/8"	--	166521	1	Steel Ball, 5/16" (Detent)
32	020776	1	Lockwasher, Hi-Collar, 1/4"	--	166558	1	Compression Spring (Detent)
33	021423	1	Capscrew, Hex Hd., 1/4"-20 x 1/2"	--	166557	1	Half Dog Set Screw, 3/8" (Detent)
34	020776	1	Lockwasher, Hi-Collar, 1/4"	--	166447	1	Neutral Safety Switch
35	172315	3	Capscrew, Hex Hd., M5 x 0.8 x 16	--	166530	1	Seal, .50 x .999 x .250 (Shift Shaft Seal)
36	172316	3	Locknut, Fiber, M5	--	020085	1	Woodruff Key (ANSI #404) (Input Shaft)
37	166465	1	Cable, Push/Pull	--	166573	1	Shaft Seal, 25mm (Output Shaft Seal)

FIGURE 4 - SLIP-ON BLADE GUARD

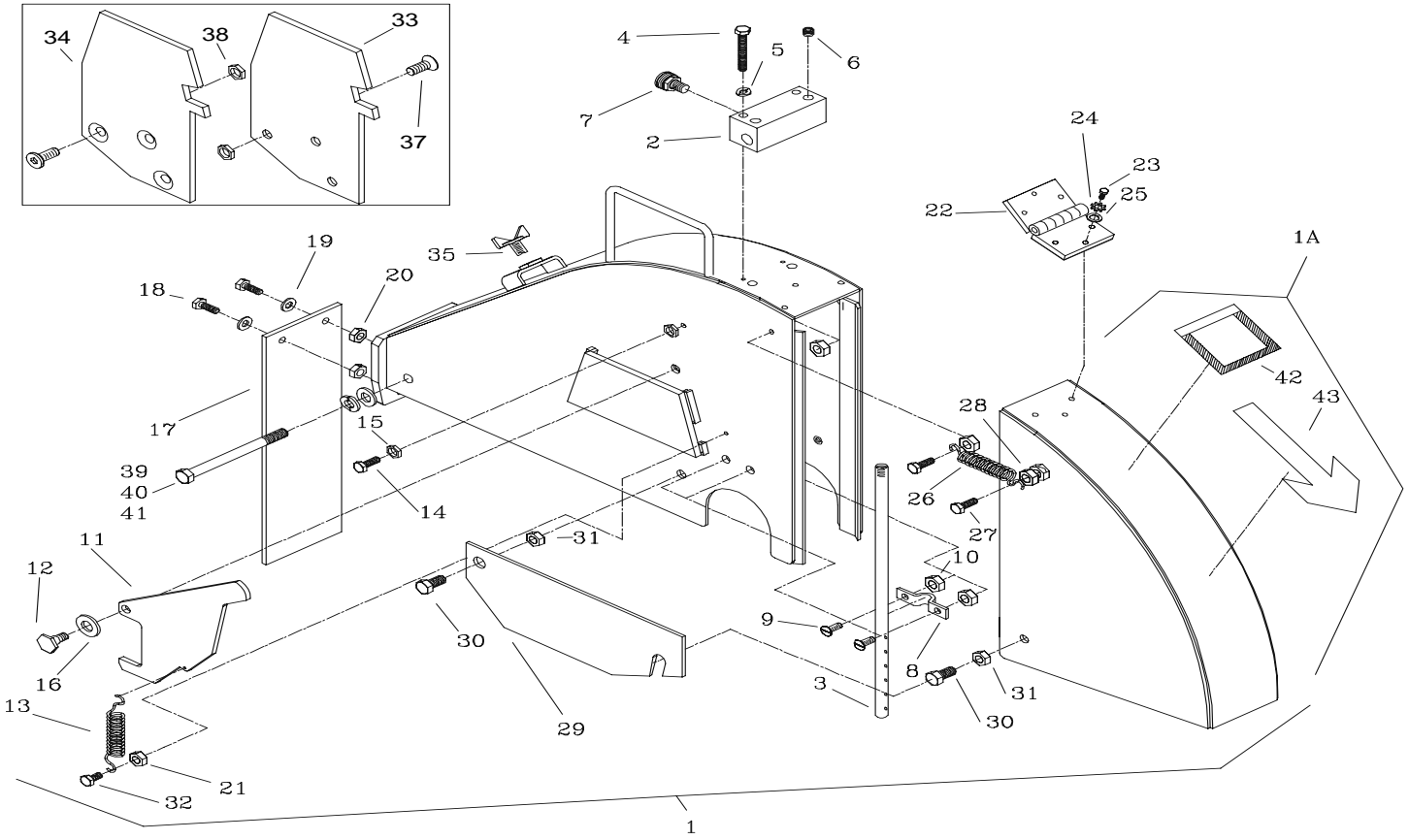


FIGURE 4 - PARTS LIST

DIAG. LOC.	PART NO.	QTY. REQ.	DESCRIPTION	DIAG. LOC.	PART NO.	QTY. REQ.	DESCRIPTION
1	176635	1	Blade Guard - 18" Complete	19	139746	2	Washer, Flat, M6
--	176645	1	Blade Guard - 26" Complete	20	139745	2	Locknut, Fiber, M6
--	166911	1	Blade Guard - 30" Complete	21	172011	4	Nut, Hex, M5
--	166931	1	Blade Guard - 36" Complete	22	166790	1	Hinge
1A	177275	1	Blade Guard Front - 18" w/Decals	23	197227	6	Capscrew, Hex Hd., M8 x 1.25 x 20
--	177276	1	Blade Guard Front - 26" w/Decals	24	173019	6	Lockwasher, Star External, M8
--	177272	1	Blade Guard Front - 30" w/Decals	25	173059	6	Washer, Flat, M8
--	177273	1	Blade Guard Front - 36" w/Decals	26	166813	2	Spring
2	166750	1	Manifold Assembly	27	139761	4	Capscrew, Hex Hd., M6 x 1.0 x 20
3	166986	2	Water Tube - 18"	28	139745	4	Locknut, Fiber, M6
--	166985	2	Water Tube - 26"	29	166818	1	Cover, Bladeshaft
--	166815	2	Water Tube - 30"	30	139751	2	Capscrew, Hex Hd., M12 x 1.75 x 25
--	166846	2	Water Tube - 36"	31	139742	2	Locknut, Fiber, M12
4	139759	2	Capscrew, Hex Hd., M6 x 1.0 x 45	32	167761	2	Capscrew, Hex Hd., M5 x 0.8 x 20
5	163689	2	Lockwasher, Split, M6	33	176282	1	Spade, Left
6	020864	2	Plug, Socket Head, 1/8" NPT	34	176280	1	Spade, Right
7	040275	1	Adapter, 3/8" NPT to 3/4" Garden Hose	--	176628	1	Kit, Spade & Attaching, 18-30"
8	163395	2	Clamp, Water Tube	--	176681	1	Kit, Spade & Attaching, 36"
9	167818	4	Mach. Screw, Flat Head, M6 x 1.0 x 16	35	197170	1	Wingbolt
10	139745	4	Locknut, Fiber, M6	36	163281	1	Wrench
11	166816	2	Latch	37	167491	6	Capscrew, Socket Hd., M10 x 1.5 x 25
12	167503	2	Bolt, Latch Pivot, M8 x 1.25	38	139748	6	Locknut, Fiber, M10
13	163188	2	Spring, Extension	39	166957	1	Capscrew, Hex Hd., M16 x 2.0 x 110
14	163688	2	Capscrew, Hex Hd., M6 x 1.0 x 16	40	020767	1	Washer, Flat, 5/8" SAE
15	172017	4	Nut, Hex, M6 x 1.0	41	020790	1	Lockwasher, Split, 5/8"
16	046101	2	Washer, Fiber, Special (Early Models)	42	163986	1	Decal, Blade Direction / Arrow
17	163275	1	Guard, Splash 12"	43	046128	1	Decal, Caution
18	139761	2	Capscrew, Hex Hd., M6 x 1.0 x 20				

FIGURE 5 - BOLT-ON 18"-36" GUARDS GROUP

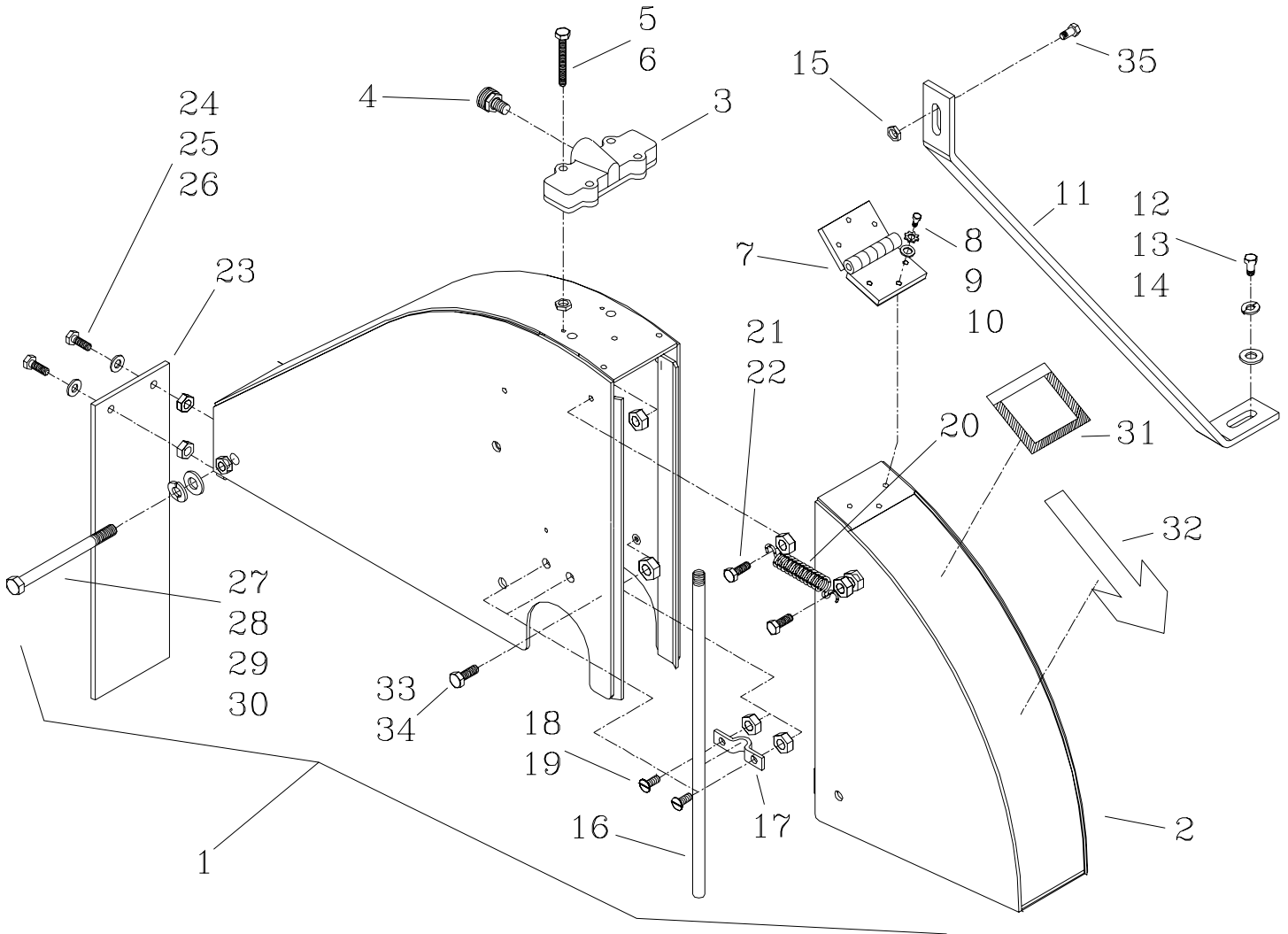


FIGURE 5 - PARTS LIST

DIAG. LOC.	PART NO.	QTY. REQ.	DESCRIPTION	DIAG. LOC.	PART NO.	QTY. REQ.	DESCRIPTION
1	174273	1	18" Bld Grd Complete (Inc. 2-10&16-31)	16	161004	2	Water Tube w/ Pipe Plug 18"
--	167475	1	26" Bld Grd Complete (Inc. 2-10&16-31)	--	161005	2	Water Tube w/ Pipe Plug 26"
--	167676	1	30" Bld Grd Complete (Inc. 2-10&16-31)	--	161006	2	Water Tube w/ Pipe Plug 30"
--	174275	1	36" Bld Grd Complete (Inc. 2-10&16-31)	--	161007	2	Water Tube w/ Pipe Plug 36"
2	160523	1	18" Front Guard Only (Incl. 30 - 31)	17	049212	2	Clamp, Water Tube
--	049185	1	26" Front Guard Only (Incl. 30 - 31)	18	139760	4	Screw, Flat Head M6 x 1.0 x 20
--	160526	1	30" Front Guard Only (Incl. 30 - 31)	19	139745	4	Locknut, Fiber M6
--	160529	1	36" Front Guard Only (Incl. 30 - 31)	20	043145	1	Spring
3	049196	1	Manifold, Water	21	139761	2	Capscrew, Hex M6 x 1.0 x 20
--	049206	1	Gasket, Water Manifold	22	172017	4	Nut, Hex M6
4	040275	1	Adapter, Hose	23	163275	1	Guard, Splash
5	167551	4	Capscrew, Hex M6 x 1.0 x 40	24	139761	2	Capscrew, Hex M6 x 1.0 x 20
6	139745	4	Locknut, Fiber M6	25	139746	2	Washer, Flat M6
7	049154	1	Hinge	26	139745	2	Locknut, Fiber M6
8	167478	6	Capscrew, Hex M8 x 1.25 x 25	27	167531	1	Capscrew, Hex M12x1.75x130 (18" Guard)
9	173059	6	Washer, Flat M8	--	167532	1	Capscrew, Hex M12 x 1.75 x 140
10	139738	6	Locknut, Fiber M8	28	020788	1	Lockwasher, Split, 1/2"
11	163537	1	Brace, Blade Guard (26")	29	020745	1	Washer, Flat 1/2"
--	163540	1	Brace, Blade Guard (30" & 36")	30	139742	1	Locknut, Fiber M12
12	139749	2	Capscrew, Hex M10 x 1.5 x 25	31	046128	1	Decal, Caution
13	162004	2	Lockwasher, Split, M10	32	163986	1	Decal, Blade Direction
14	173014	2	Washer, Flat M10	33	139751	1	Capscrew, Hex M12 x 1.75 x 25
15	172017	1	Nut, Hex M6	34	139742	1	Locknut, Fiber M12
				35	139761	1	Capscrew, Hex M6 x 1.0 x 20

FIGURE 6 - 48" BOLT-ON BLADE GUARD

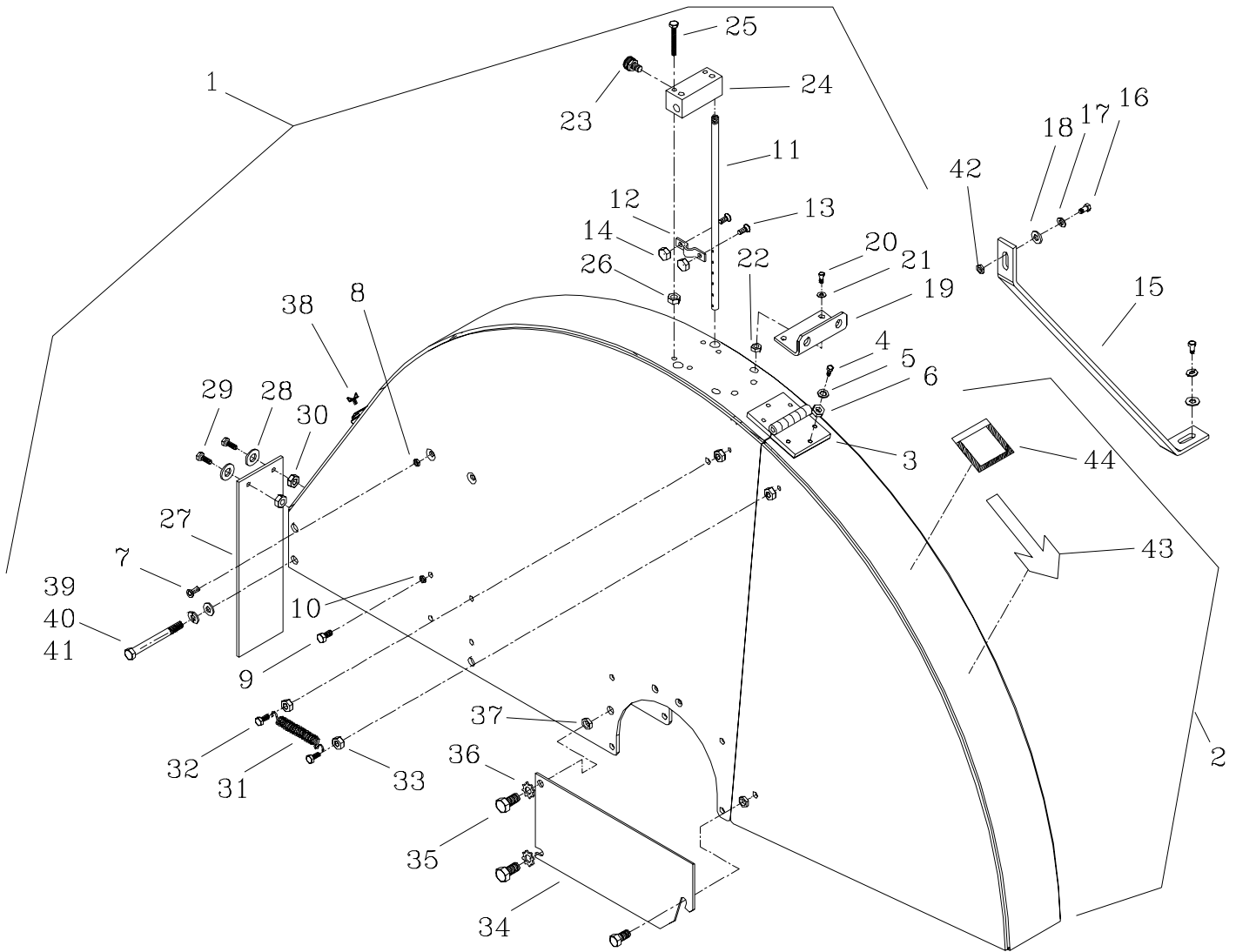


FIGURE 6 - PARTS LIST

DIAG. LOC.	PART NO.	QTY. REQ.	DESCRIPTION	DIAG. LOC.	PART NO.	QTY. REQ.	DESCRIPTION
1	166932	1	48" Blade Guard Complete Ass'y	24	049196	1	Manifold
2	177274	1	48" Front Guard Weldment w/Decals	25	167551	4	Capscrew, Hex Hd., M6 x 1.0 x 40
3	049154	1	Hinge	26	139745	4	Locknut, Fiber, M6
4	167478	6	Capscrew, Hex Hd., M8 x 1.25 x 25	27	163275	1	Guard, Splash, 12"
5	173059	6	Washer, Flat, M8	28	139746	2	Washer, Flat, M6
6	139738	6	Locknut, Fiber, M8	29	139761	2	Capscrew, Hex Hd., M6 x 1.0 x 20
7	166895	4	Capscrew, Flat Soc. Hd. M8 x 1.25 x 20	30	139745	2	Locknut, Fiber, M6
8	139738	4	Locknut, Fiber, M8	31	166813	1	Spring
9	172028	8	Capscrew, Hex Hd., M8 x 1.25 x 16	32	139761	2	Capscrew, Hex Hd., M6 x 1.0 x 20
10	139738	8	Locknut, Fiber, M8	33	172017	4	Nut, Hex, M6
11	166942	2	Water Tube Assembly, 48"	34	166944	1	Latch, Blade Guard, 48"
12	049212	2	Clamp, Water Tube	35	172028	3	Capscrew, Hex Hd., M8 x 1.25 x 16
13	139760	4	Screw, Flat Hd. M6 x 1.0 x 20	36	173019	3	Lockwasher, Star External, M8
14	139745	4	Locknut, Fiber M6	37	172027	3	Nut, Hex, M8
15	163929	1	Bracket, Blade Guard, 48"	38	197170	1	Wingbolt
16	139749	2	Capscrew, Hex Hd., M10 x 1.5 x 25	39	166957	1	Capscrew, Hex Hd., M16 x 2.0 x 110
17	162004	2	Lockwasher, Split, M10	40	020790	1	Lockwasher, Split, M16
18	173014	2	Washer, Flat, M10	41	020767	1	Washer, Flat, M16
19	166837	1	Bracket, Upper Brace	42	176222	2	Nut, Hex, M10
20	167478	4	Capscrew, Hex Hd., M8 x 1.25 x 25	43	163986	1	Decal, Blade Direction / Arrow
21	173059	4	Washer, Flat, M8	44	046128	1	Decal, Caution
22	139738	4	Locknut, Fiber, M8	--	163281	1	Wrench, Bladeshaft (Not Shown)
23	040275	1	Adapter, 3/8 NPTx3/4 Male Grdn Hose				

FIGURE 7 - LIFT ASSEMBLY

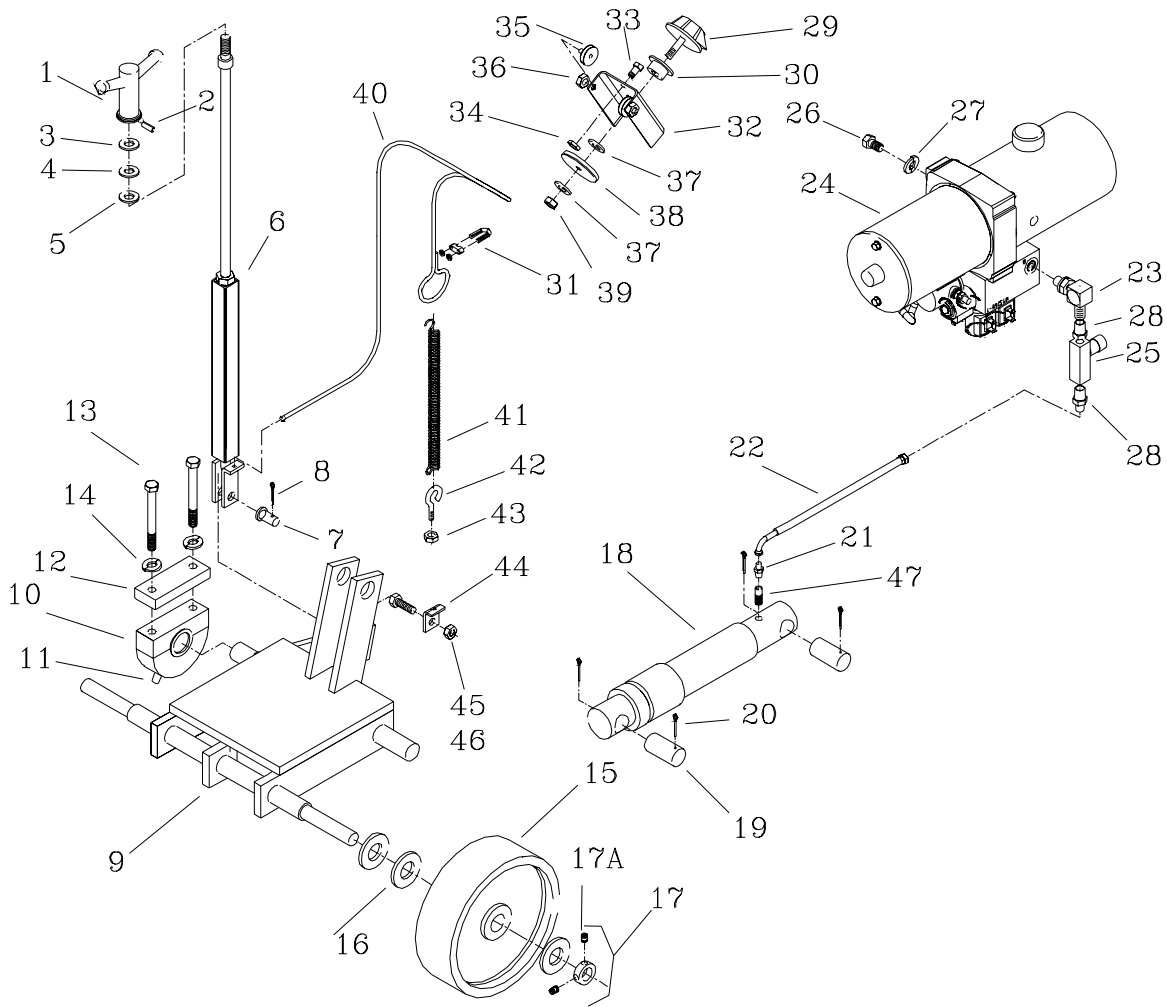


FIGURE 7 - PARTS LIST

Key: ●Pro65III Premium Item Only; ○Pro65III Basic Item Only; ■Pro40III Item Only.

DIAG. LOC.	PART NO.	QTY. REQ.	DESCRIPTION	DIAG. LOC.	PART NO.	QTY. REQ.	DESCRIPTION
1	047591	1	Handle, Depth Stop ●■	24	166633	1	Hydraulic Pump ○
2	020641	1	Pin, Roll, 3/16" x 1-1/4" ●■	--	183274	1	Hydraulic Pump w/ Manifold ●■
3	020745	1	Washer, Flat 1/2" ●■	25	166623	1	Valve, Flow Control
4	046424	1	Washer, Fiber, Special ●■	26	173005	3	Capscrew, Hex Hd., M10 x 1.5 x 16
5	046425	1	Washer, Bowed ●■	27	162004	3	Lockwasher, Split, M10
6	163238	1	Stem Assembly ●■	28	15700938	1	Fitting, 2404-4-4 1/4 JIC - 1/4 NPT ○
7	160164	1	Pin, Pivot ●■	--	183057	2	Fitting, Male FF Con. 2404-4-4 ●■
8	020612	1	Pin, Cotter, 3/32" x 3/4" ●■	29	163261	1	Knob, Pointer
9	163605	1	Front Axle Assembly	30	043696	1	Bearing
10	047161	2	Bearing, 1-1/4"	31	043698	1	Clamp, Cable
11	041175	2	Fitting, Grease Zerk	32	043711	1	Bracket, Mounting
12	163044	2	Riser Block	33	020602	2	Screw, Pan Hd., #10 - 24 x 1/2"
13	020351	4	Capscrew, Hex Hd., 1/2" - 13 x 4-1/2"	34	020194	2	Locknut, Fiber, #10
14	020788	4	Lockwasher, Split 1/2"	35	030822	2	Pulley & Bearing
15	047150	2	Wheel 8" x 2-1/2" x 1"	36	032366	2	Locknut, KEPS, 5/16"
--	047152	2	Seal & Bearing Kit	37	020763	2	Washer, Flat, 5/16" SAE
16	020751	6	Washer, Flat 1"	38	043694	1	Pulley, Cable
17	048078	2	Collar, Set, 1"	39	020194	1	Locknut, Fiber, #10 - 18
18	048310	1	Hydraulic Cylinder	40	163228	1	Cable w/Ball Assembly
19	048321	2	Pin, Hydraulic Cylinder	41	163168	1	Spring
20	020622	4	Pin, Cotter, 3/16" x 2"	42	020250	1	Eye Bolt, 1/4" - 20 x 1"
21	163610	1	Fitting, Adapter, 3/8 Pipe, 1/4 Tube ○	43	020133	1	Nut, Hex, 1/4" - 20
--	183057	1	Fitting, Male FF Con. 2404-4-4 ●■	44	172258	1	Cable Hook ○
22	163642	1	Hose Assembly, 36" ○	45	047792	1	Capscrew, Hex M10 x 1.5 x 30 ○
--	183045	1	Hose Assembly, Hydr. Lift ●■	46	139748	1	Locknut, Fiber M10 x 1.5 ○
23	166627	1	Fitting, Elbow 90°, 1/4 Tube ○	47	020870	1	Fitting, Reducer 5406-6-4 ●■
--	183278	1	Fitting, 90° Elbow FF Seal ●■				

FIGURE 8 - HYDRAULIC PUMP (P/N 183274● & 166633○)

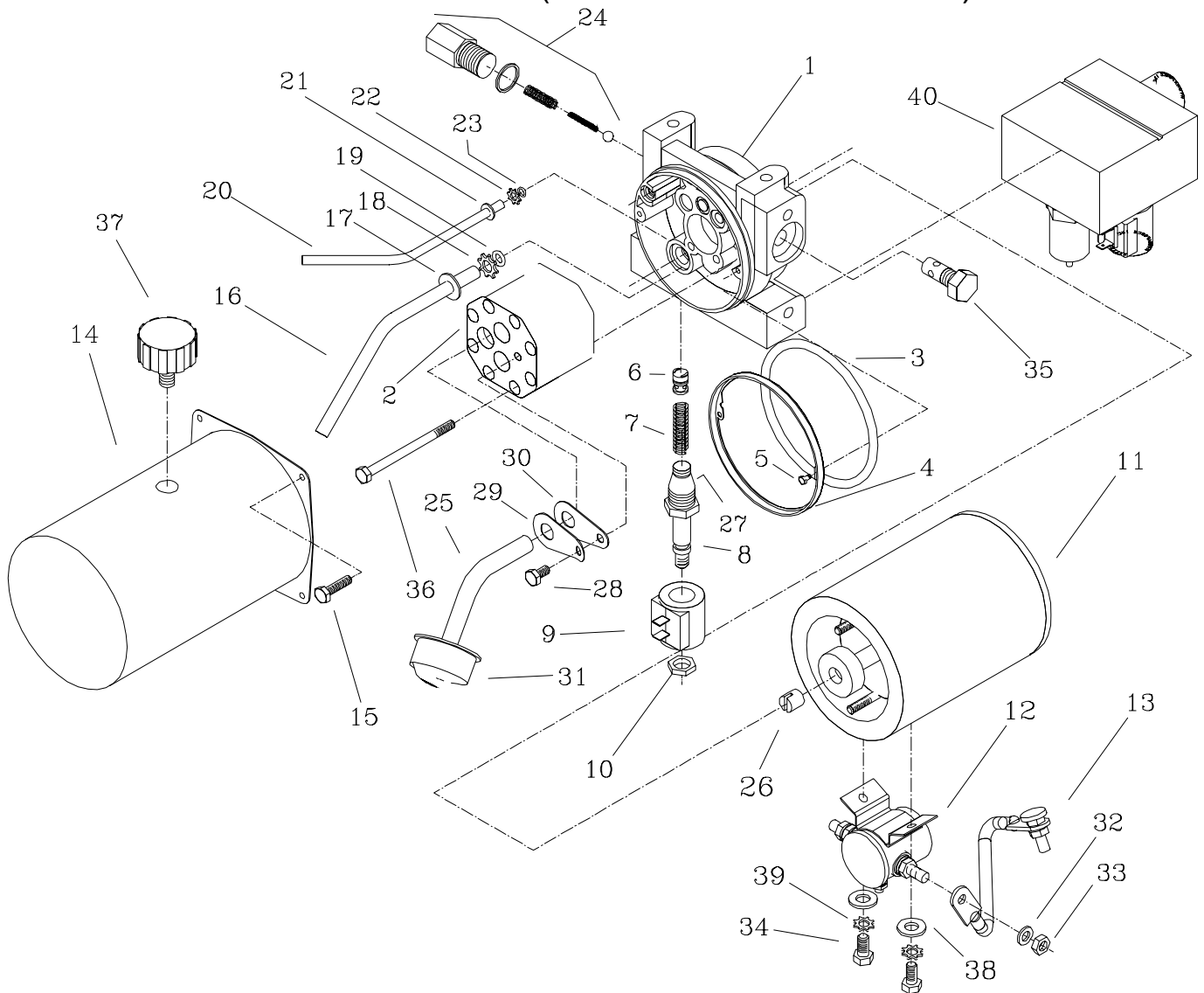


FIGURE 8 - PARTS LIST

Key: ●Pro65III Premium Item Only; ○Pro65III Basic Item Only; Pro40III Item Only.

DIAG. LOC.	PART NO.	QTY. REQ.	DESCRIPTION	DIAG. LOC.	PART NO.	QTY. REQ.	DESCRIPTION
1	180018	1	Adapter ○	22	163361	1	Lock Ring
--	183222	1	Adapter ●■	23	163362	1	O-Ring
2	163353	1	Pump Kit (Incl. Items 2, 26, 28, 36)	24	163331	1	Relief Valve Kit
3	163320	1	O-Ring	25	163325	1	Inlet Tube
4	180019	1	Retaining Ring	26	163328	1	Coupling
5	020366	2	Capscrew, Hex Hd., 1/4" - 20 x 3/8"	27	180023	1	Filter Screen
6	163351	1	Spool Assembly, Flow Control	28	163358	1	Capscrew, Hex Hd., 1/4" - 20 x 3/8"
7	163350	1	Spring	29	163357	1	Locking Retainer
8	180020	1	Lowering Valve ○	30	163356	1	O-Ring Retainer
9	166594	1	Coil 12VDC ○	31	163326	1	Strainer
10	020177	1	Nut, Jam, 1/2" ○	32	020785	1	Lockwasher, Split, 5/16"
11	163321	1	Motor with Alignment Pin (P/N 163322)	33	020169	1	Nut, Hex Jam Thin, 5/16"
12	166121	1	Solenoid	34	163358	2	Capscrew, Hex Hd., 1/4" - 20 x 3/8"
13	163344	1	Lead Wire	35	163319	1	Check Valve Assembly
14	180022	1	Reservoir	36	163354	4	Capscrew, Hex Hd., 1/4" - 20 x 2"
15	-----	4	Mach. Screw, Washer Hd 1/4" - 20 x 1/2"	37	163324	1	Breather
16	163363	1	Return Tube	38	020764	2	Washer, Flat, 3/8" SAE
17	163364	1	Spacer	39	-----	2	Washer, Star External, 3/8"
18	163365	1	Lock Ring	40	183275	1	Manifold and Valve Ass'y ●■ (see Figure 9)
19	163366	1	O-Ring	--	163327	1	Magnet (Inside Reservoir - Not Shown)
20	163359	1	Return Tube	--	163559	1	Seal, Pump Shaft (Inside Adapter - Not Shown)
21	163360	1	Washer				

FIGURE 9 - HYDRAULIC SCHEMATIC

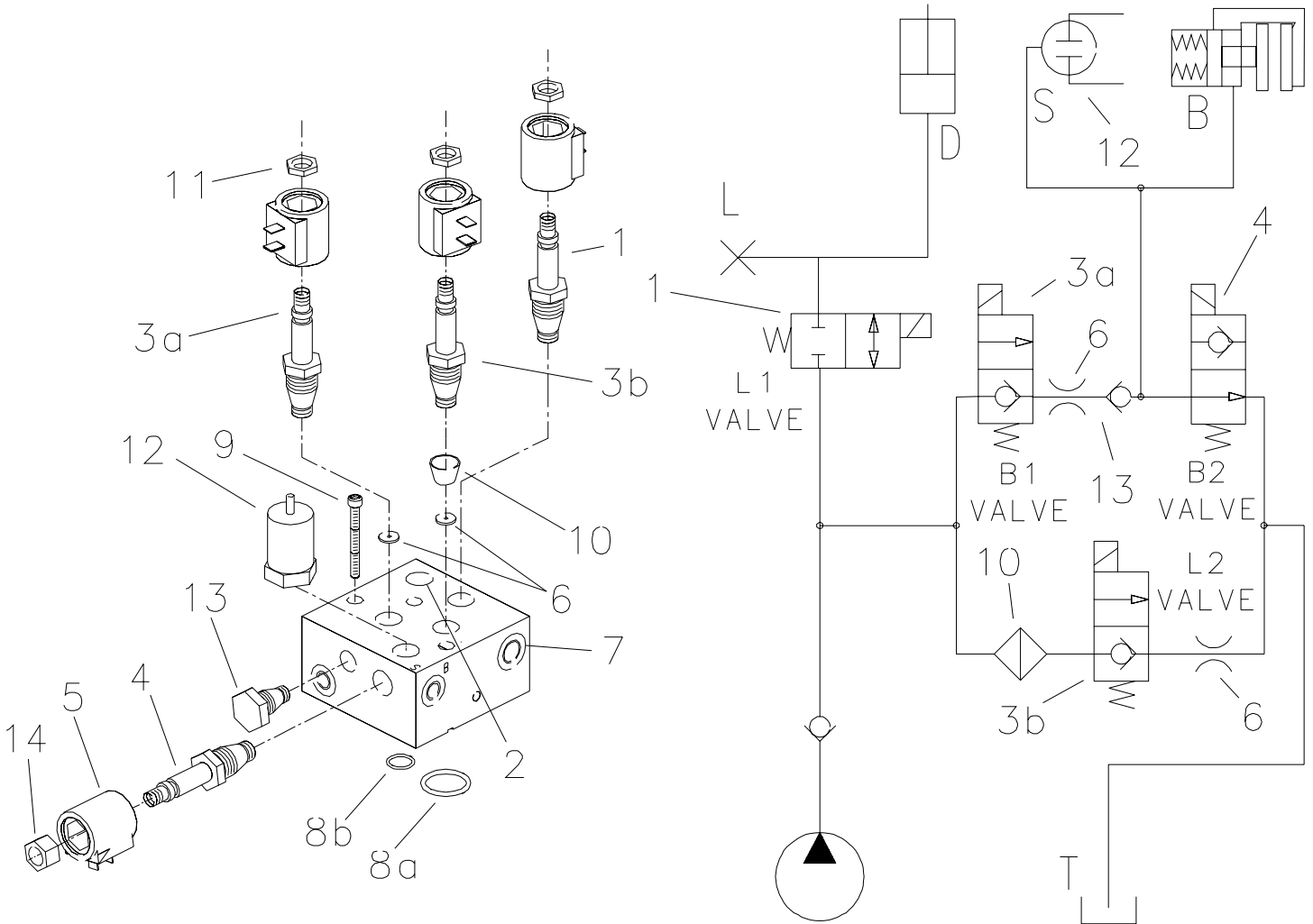


FIGURE 9 - PARTS LIST

DIAG. LOC.	PART NO.	QTY. REQ.	DESCRIPTION
--	183275	1	Valve Body, Complete (inc. items 1-14)
1	181207	1	H/F SV08-24-0-N-00 N.C. Solenoid Valve (L1 Port)
2	15700978	1	6408-HHP-8 SAE Plug
3a	180020	1	H/F SV08-20-0-N-00 N.C. Solenoid Valve (B1 Port)
3b	180020	1	H/F SV08-20-0-N-00 N.C. Solenoid Valve (L2 Port)
4	183007	1	H/F SV08-21-0-N-00 N.O. Solenoid Valve (B2 Port)
5	166594	5	H/F 6301012 12V DC Dual Spade Coil
6	181206	2	Orifice, Disk .031 (L2 Port & B1 Port)
7	15700950	1	6408-HHP-6 SAE Plug
8a	183009	1	O-Ring Seal, Size -019 Buna N 90 Duro
8b	181208	1	O-Ring Seal, Size -014 Buna N 90 Duro
9	181199	3	Bolt, Socket Head 1/4" - 20 x 2.25"
10	180023	1	Hydro Force Filter Screen #7001810 (located in L2 Port)
11	020177	4	Nut, Hex Jam 1/2"
12	183004	1	Switch, Pressure (S Port)
13	163319	1	Check Valve Assembly
14	181202	1	Nut, Special

FIGURE 10 - 48" CONVERSION KIT (P/N 176821)

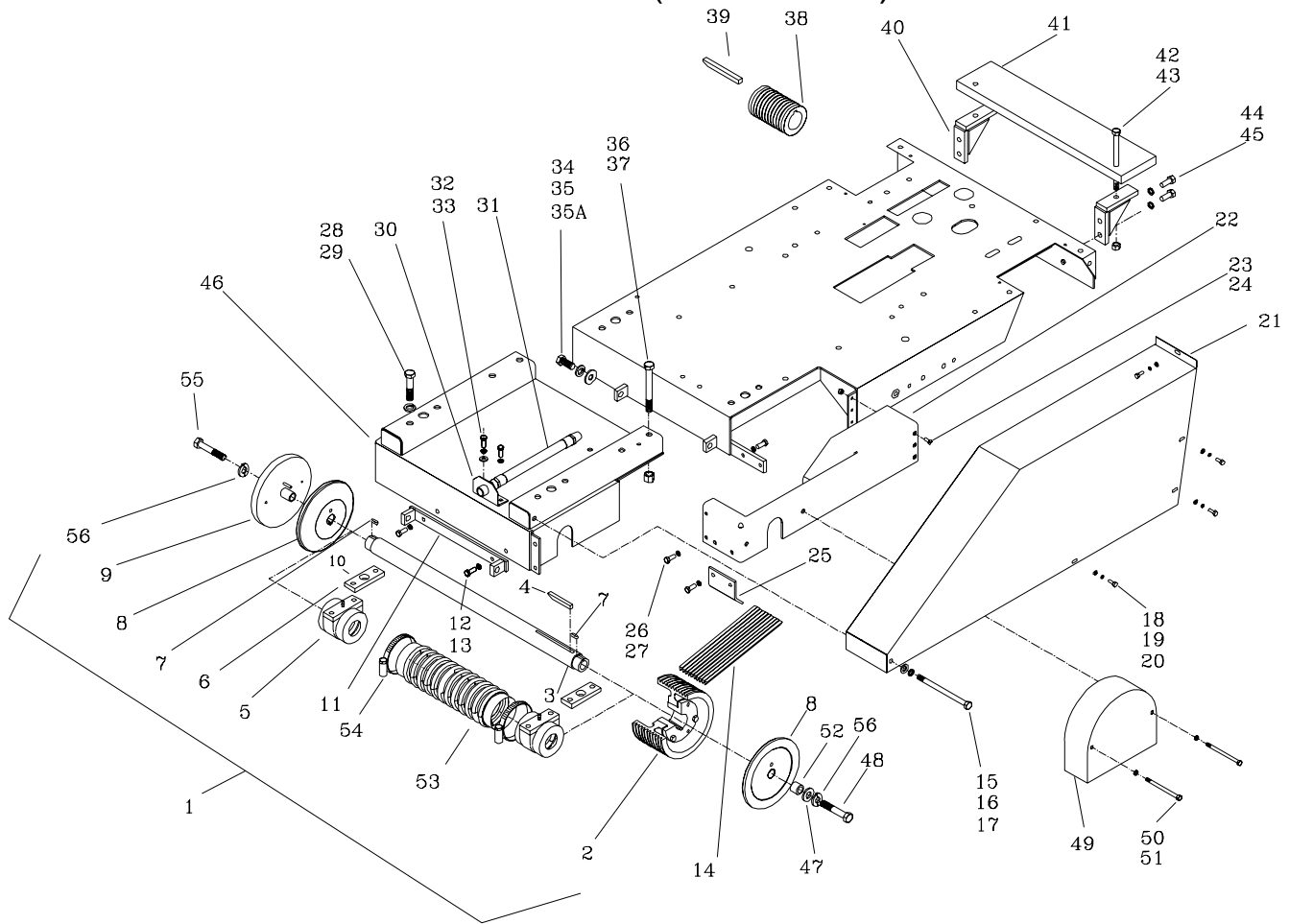


FIGURE 10 - PARTS LIST

DIAG. LOC.	PART NO.	QTY. REQ.	DESCRIPTION	DIAG. LOC.	PART NO.	QTY. REQ.	DESCRIPTION
1	176666	1	Replacement Blade Shaft Ass'y, 48"	29	020790	4	Lockwasher, Split, 5/8"
--	-----	-	(Includes items 2-10, 47, 48, 54-56)	30	163594	1	Bracket, Oil Drain Hose
2	163879	1	Pulley 10G3V7.60 w/SF - 1.75	31	163907	1	Oil Drain Hose Assembly
3	163098	1	Bladeshaft, Quick Disconnect	32	139744	2	Capscrew, Hex Hd., M10 x 1.5 x 20
4	020076	1	Key, 3/8" Sq. x 4"	33	162004	2	Lockwasher, Split, M10
5	166419	2	Bearing, Sealed 1-3/4"	34	167447	2	Capscrew, Hex Hd., M16 x 2.0 x 45
6	163140	2	Fitting, Grease	35	020790	2	Lockwasher, Split, 5/8"
7	043054	2	Key, Round End 1/4" x 27/32"	36	163906	4	Capscrew, Hex Hd., 5/8" - 11 x 5-1/2"
8	166759	2	Flange, Inner, 8" QDS	37	020204	4	Locknut, Fiber, 5/8"
9	166757	1	Flange, Outer, 8" QDS	38	163725	1	Pulley 11G3V3.65 w/SS
10	047005	2	Spacer	39	163684	1	Key, 1/2" Sq. x 5-1/4"
11	163871	1	Bracket, Front Pointer	40	138059	2	Bracket, Weight
12	139749	2	Capscrew, Hex Hd., M10 x 1.5 x 25	41	163927	6	Weight
13	162004	2	Lockwasher, Split, M10	42	176752	2	Capscrew, Hex Hd., M12 x 1.75 x 200
14	175141	1 set	V-Belt, 3VX710 - 5 Band; Set Of 2,	43	139742	2	Locknut, Fiber, M12
15	176751	1	Capscrew, Hex Hd., M12 x 1.75 x 180	44	139741	4	Capscrew, Hex Hd., M12 x 1.75 x 30
16	173042	1	Washer, Flat, M12	45	172495	4	Lockwasher, Split, M12
17	020788	1	Lockwasher, Split, 1/2"	46	176601	1	Frame Extension Weldment
18	139761	5	Capscrew, Hex Hd., M6 x 1.0 x 20	47	020747	1	Washer, Flat, 5/8"
19	139746	5	Washer, Flat, M6	48	163487	1	Capscrew, Hex Hd., 5/8" - 11 x 3-1/2" RH
20	163689	5	Lockwasher, Split, M6	49	166821	1	Guard, Shaft
21	163899	1	Belt Guard Assembly	50	139763	2	Capscrew, Hex Hd., M10 x 1.5 x 100
22	176599	1	Frame Corner	51	162004	2	Lockwasher, Split, M10
23	139760	3	Screw, Slotted Flat Head, M6 x 1.0 x 20	52	163486	1	Spacer
24	139745	3	Locknut, Fiber, M6	53	176641	1	Hose, Shaft Guard
25	163901	1	Sheave Guard	54	15701380	2	Clamp, Hose, 3-1/2"
26	047792	2	Capscrew, Hex Hd., M10 x 1.5 x 30	55	163488	1	Capscrew, Hex Hd., 5/8" - 11 x 3-1/2" LH
27	139748	2	Locknut, Fiber, M10	56	020790	2	Lockwasher, Split, 5/8"
28	163547	4	Capscrew, Hex Hd., 5/8" - 11 x 3-1/2"				

FIGURE 11 - SIDE PLUNGE KIT (P/N 176879)

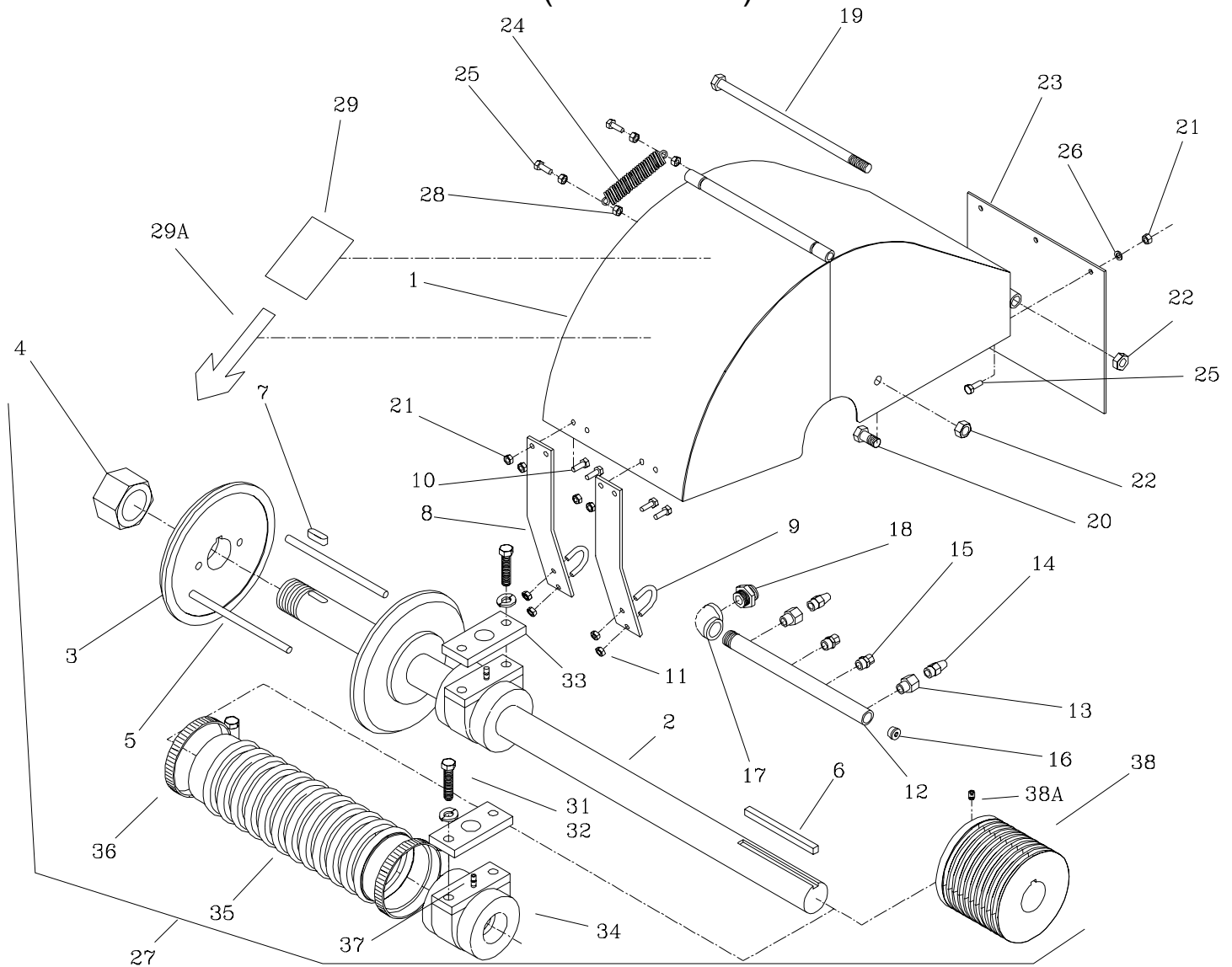


FIGURE 11 - PARTS LIST

DIAG. LOC.	PART NO.	QTY. REQ.	DESCRIPTION	DIAG. LOC.	PART NO.	QTY. REQ.	DESCRIPTION
--	176881	1	Blade Guard Ass'y (Items 1, 23-39)	21	139745	7	Locknut, Fiber M6 - 1.0
1	048866	1	Blade Guard	22	020201	2	Locknut, Fiber 1/2" - 13
2	048868	1	Blade Shaft and Tight Collar Ass'y	23	048905	1	Splash Guard
3	049871	1	Loose Collar	24	043145	1	Spring
4	049264	1	Nut, Blade Shaft	25	139761	5	Capscrew, Hex Hd., M6 x 1.0 x 20
5	048895	2	Pin, Drive	26	139746	3	Washer, Flat, M6
6	020052	1	Key, 3/8" Sq. x 5"	27	176882	1	Blade Shaft Assembly, Complete
7	048894	1	Key, 3/8" Sq. x 1"	28	172017	4	Nut, Hex, M6
8	048880	2	Bracket, Manifold	29	046128	1	Decal, Caution Blade Guard
9	020032	2	"U" Bolt	29A	163986	1	Decal, Arrow
10	139761	4	Capscrew, Hex Hd., M6 x 1.0 x 20	30	049925	1	Wrench, Blade Shaft (Not Shown)
11	020195	4	Locknut, Fiber 1/4"-20	31	021411	4	Capscrew, Hex Hd., 5/8" x 11 x 3-1/2"
12	048878	1	Manifold, Water	32	020790	4	Lockwasher, Split, 5/8"
13	091129	2	Adapter, Pipe	33	047005	2	Spacer, Bearing
14	091136	2	Nozzle, Side	34	166419	2	Bearing, Quad-Sealed 1-3/4"
15	048901	2	Nozzle, Straight	35	176641	1	Hose, Shaft Guard
16	020853	1	Plug, 3/8" Pipe	36	15701380	2	Clamp, Hose
17	020827	1	Elbow, 90° 1/2" Pipe	37	163140	2	Fitting, Grease
18	040274	1	Connector, 1/2" Pipe	38	163723	1	Pulley, 10G3V 4.12" - 1.75" w/SS
19	048755	1	Capscrew, Hex Hd., 1/2"- 13 x 10-3/4"	38A	020586	4	Setscrew, Socket Hd., 5/16" - 18 x 1/2"
20	020339	1	Capscrew, Hex Hd., 1/2" - 13 x 1"				

FIGURE 12 - INSTRUMENT PANEL

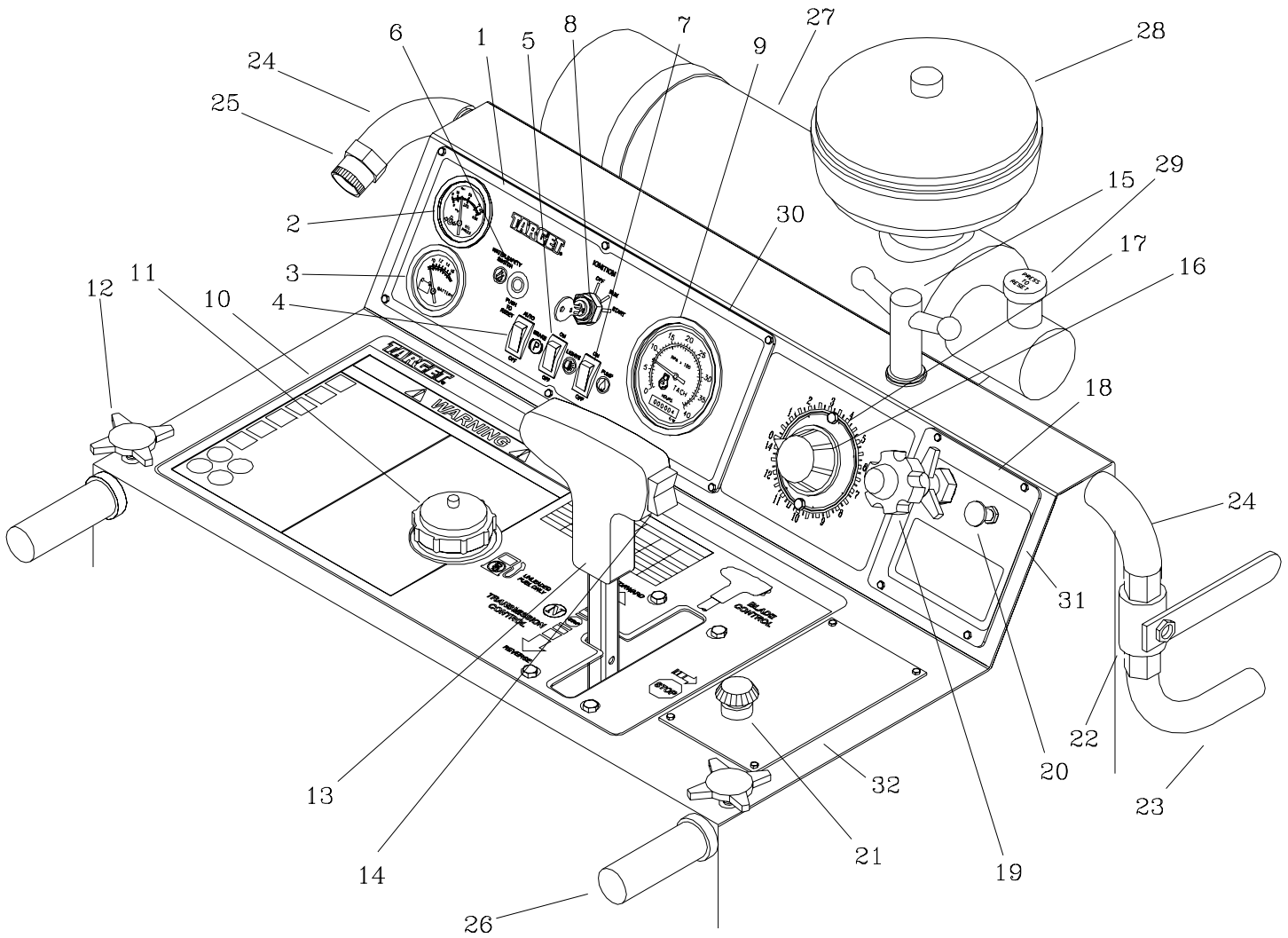


FIGURE 12 - PARTS LISTS

Key: ●Pro65III Premium Item Only; ○Pro65III Basic Item Only; ■Pro40III Item Only.

DIAG. LOC.	PART NO.	QTY. REQ.	DESCRIPTION	DIAG. LOC.	PART NO.	QTY. REQ.	DESCRIPTION
1	176578	1	Decal, Instrument Panel ● ■	16	163261	1	Knob, Depth Indicator
--	183080	1	Decal, Instrument Panel ○	17	163694	1	Decal, Depth Indicator
2	166360	1	Gauge, Oil Pressure ●○	18	166035	1	Decal, Throttle & Choke
--	176722	1	Plug, Hole 2-1/8" ■	19	160172	1	Cable, Throttle
3	166438	1	Gauge, Voltmeter ● ■	20	160409	1	Cable, Choke
4	166711	1	Switch, Parking Brake ● ■	21	176383	1	Switch, Palm Stop ● ■
5	166711	1	Switch, Lights ● ■	22	040261	1	Valve, Ball
6	047136	1	Switch, Water Safety ● ■	23	163656	1	Hose Assembly, 60"
7	166711	1	Switch, Water Pump (Optional)	24	020810	2	Street Elbow, 1/2" NPT
8	166707	1	Switch, Ignition	25	045642	1	Hose Swivel w/ Washer
9	163665	1	Gauge, Tach / Hourmeter ● ■	26	117194	2	Handle Extension
10	183126	1	Decal, Op. Instructions ●○	27	163658	1	Air Cleaner Assembly
--	183134	1	Decal, Op. Instructions ■	28	15700704	1	Pre-Cleaner Assembly
11	160194	1	Gas Cap w/ Gauge ● ■	29	163664	1	Indicator, Air Restriction ● ■
--	183106	1	Gas Cap, Plain ○	30	176572	1	Panel, Gauge ● ■
12	166038	2	Knob, Handle	--	183077	1	Panel, Gauge ○
13	183135	1	Handle and Switch Assembly	31	166067	1	Panel, Engine Control
14	166609	1	Switch, Control	32	176566	1	Plate, Pump Cover
15	047591	1	Handle, Depth Stop ● ■	--	166861	1	Plug, Hole 7/8" ○

FIGURE 13 - LIGHT GROUP KIT (P/N 167656)

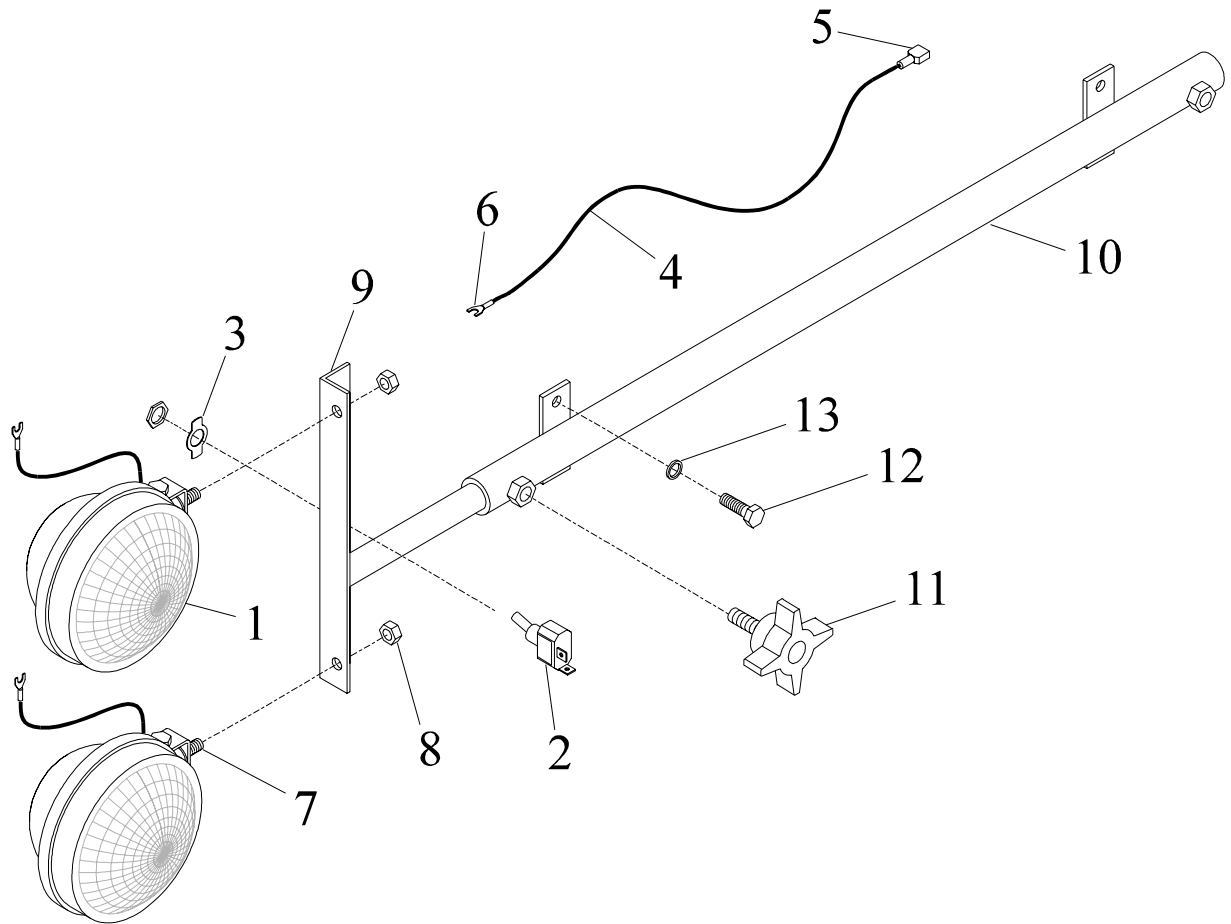


FIGURE 13 - PARTS LIST

DIAG. LOC.	PART NO.	QTY. REQ.	DESCRIPTION (* Denotes Metric Item)
1	0499919	2	Light, 12V
2	166603	1	Switch, Toggle
3	090552	1	Plate, Switch
4	0499925P	1	Wire, 16GA x 36" Lg
5	164370	1	Terminal, Insulated Male
6	046440	3	Terminal, Insulated Fork
7	197227	2	Capscrew, Hex Hd. M8 x 1.25 x 20
8	139738	2	Locknut, Fiber M8 x 1.25
9	163758	1	Bar, Support
10	163754	1	Tube, Support
11	166038	1	Knob, 3/8"-16 UNC Thread
*12	139761	4	Capscrew, Hex Hd. M6 x 1.0 x 20
12	020370	4	Capscrew, Hex Hd. 1/4" - 20 x 3/4"
13	163689	4	Lockwasher, Split M6

FIGURE 14 - WATER PUMP GROUP (P/N 167554)

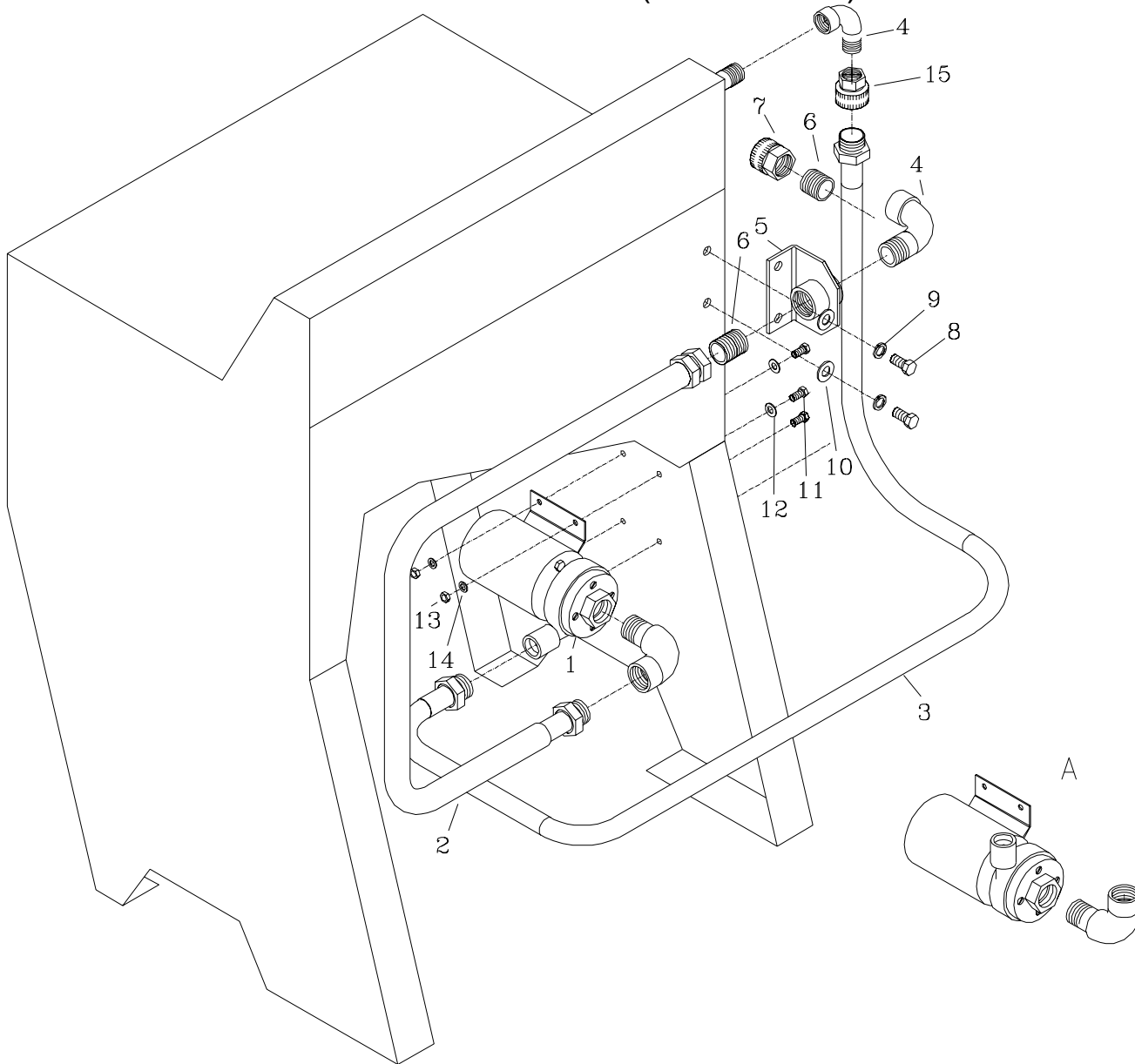


FIGURE 14 - PARTS LIST ("A" shows the proper orientation for Pro 40III and Pro 65III pump)

ITEM NO.	PART NO.	QTY. REQ.	DESCRIPTION	ITEM NO.	PART NO.	QTY. REQ.	DESCRIPTION
1	164977	1	Water Pump	7	045643	1	Swivel, With Filter (Incl. 7A-7B)
--	-----	---	Replacement Water Pump Parts:	7A	040271	1	Swivel, Without Filter
1A	164083	1	Motor, Impeller, Gasket & Seal Kit	7B	045640	1	Washer, Filter
1B	164580	1	Seal & Gasket Kit	8	139744	2	Capscrew, Hex Hd. M10 x 1.5 x 20
1C	164578	1	Gasket Only	--	020322	2	Capscrew, Hex Hd. 3/8"-16 x 3/4"
1D	164579	1	Seal Only	9	162004	2	Lockwasher, Split M10
1E	164581	1	Impeller Only	10	173014	2	Washer, Flat, M10
1F	164582	1	Motor Only	11	139761	4	Capscrew, Hex Hd. M6 x 1.0 x 20
2	163770	1	Hose Ass'y, 3/4" Dia (Inlet)	12	139746	4	Washer, Flat M6
3	163769	1	Hose Ass'y, 1/2" Dia (Outlet)	13	139745	4	Locknut, Fiber M6
4	040273	3	Fitting, 90° Street Elbow, 3/4" NPT	14	020762	4	Washer, Flat 1/4" SAE
5	163594	1	Bracket, Water Pump	15	045642	1	Hose Swivel w/ Washer
6	020296	2	Fitting, Nipple-Close 3/4" NPT	--	166214	1	Tie, Cable (Blk Nylon CTB-15)

FIGURE 15 - BRAKE ASSEMBLY

Available on Pro 65III Premium and Pro 40III Only

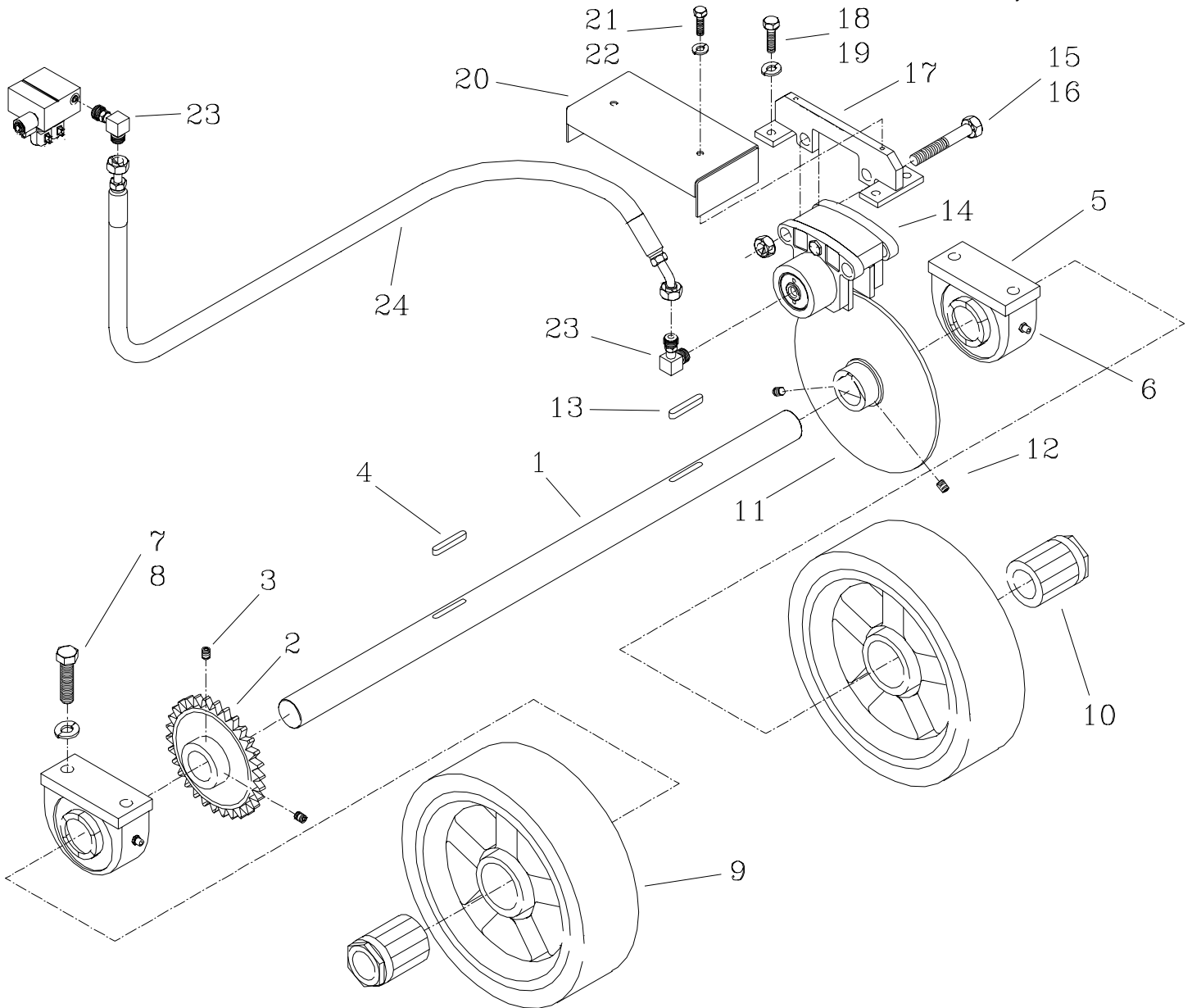


FIGURE 15 - PARTS LIST

DIAG. LOC.	PART NO.	QTY. REQ.	DESCRIPTION	DIAG. LOC.	PART NO.	QTY. REQ.	DESCRIPTION
1	176654	1	Axle, Rear	15	183129	2	Capscrew, Hex Hd. M12 x 1.75 x 80
2	163251	1	Sprocket Ass'y w/ Set Screw & Key	16	139742	2	Locknut, Hex M12
3	020550	2	Setscrew, Socket Hd 5/16-18 x 3/8"	17	176985	1	Mount, Caliper
4	163686	1	Key, Round End	18	167478	4	Capscrew, Hex Hd. M8 x 1.25 x 30
5	047161	2	Bearing, 1-1/4"	19	020785	4	Lockwasher, Split 5/16"
6	164297	2	Fitting, Grease	20	183213	1	Shield, Caliper
7	021404	4	Capscrew, Hex 1/2-13 x 3"	21	178083	2	Capscrew, Hex Hd. M6 x 1.0 x 12
8	020788	4	Lockwasher, Split 1/2"	22	163689	2	Lockwasher, Split M6
9	176656	2	Wheel, 3 x 10 x 2" ID	23	183055	2	Fitting FF, 6801-4-4
10	176657	2	Quick Disconnect Hub	24	183046	1	Hose Assembly, 23"
11	176909	1	Disc, Brake	--	183223	1	Parking Brake Lining Kit
12	020550	2	Setscrew, Socket Hd. 5/16" - 18 x 3/8"	--	183224	1	Parking Brake Seal Kit
13	163686	1	Key, 1/4" Sq. x 1-3/4" Round End	--	183225	1	Parking Brake Repair Kit
14	165832	1	Brake, Parking				

FIGURE 16 - WIRING DIAGRAM PRO 40III

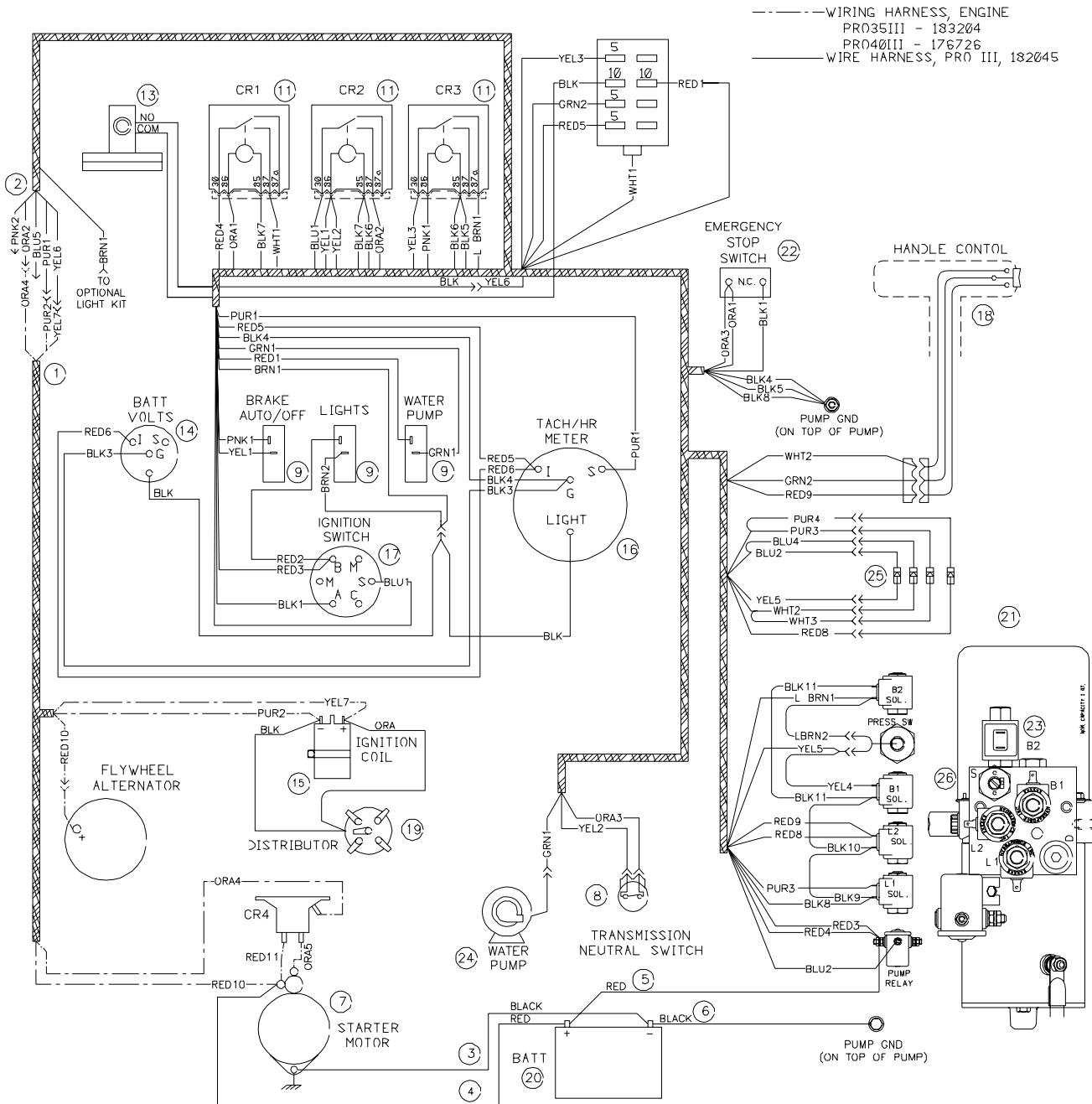


FIGURE 16 - PARTS LIST

DIAG. LOC.	PART NO.	QTY. REQ.	DESCRIPTION	DIAG. LOC.	PART NO.	QTY. REQ.	DESCRIPTION
1	176726	1	Wiring Harness, Pro 40III Engine	14	166438	1	Gauge, Battery Volts
2	182045	1	Wiring Harness, Cowl	15	-----	1	Coil, Ignition (Wisconsin #YF38B)
3	163179	1	Cable, Battery, Negative 40"	16	163665	1	Gauge, Tach./Hour Meter
4	163180	1	Cable, Battery, Positive 52"	17	166707	1	Switch, Ignition
5	139261	1	Cable, Battery, Positive Hyd 8"	18	183135	1	Handle, Transmission/Lift Control
6	176714	1	Cable, Battery, Negative Hyd. 18"	19	-----	1	Distributor (Wisconsin #YF50AS1)
7	-----	1	Starter (Wisconsin # YA53A)	20	163121	1	Battery, 12 Volt
8	166447	1	Switch, Neutral Safety	21	183274	1	Hydraulic Pump Assembly
9	166711	3	Switch, Rocker	22	176383	1	Emergency Stop Switch
10	166622	1	Block, Fuse	23	166594	4	Coil - 12V DC
11	166708	3	Relay, N.O. N.C.	24	164977	1	Water Pump (Optional)
12	166121	1	Solenoid Relay	25	182048	1	Diode Assembly, Hyd. Brake
13	047136	1	Water Safety Switch	26	183004	1	Pressure Switch

FIGURE 17 - WIRING DIAGRAM PRO 65III BASIC

————— WIRING HARNESS, ENGINE , 176685
 - - - - - WIRE HARNESS, PRO 65 BASIC, 183087

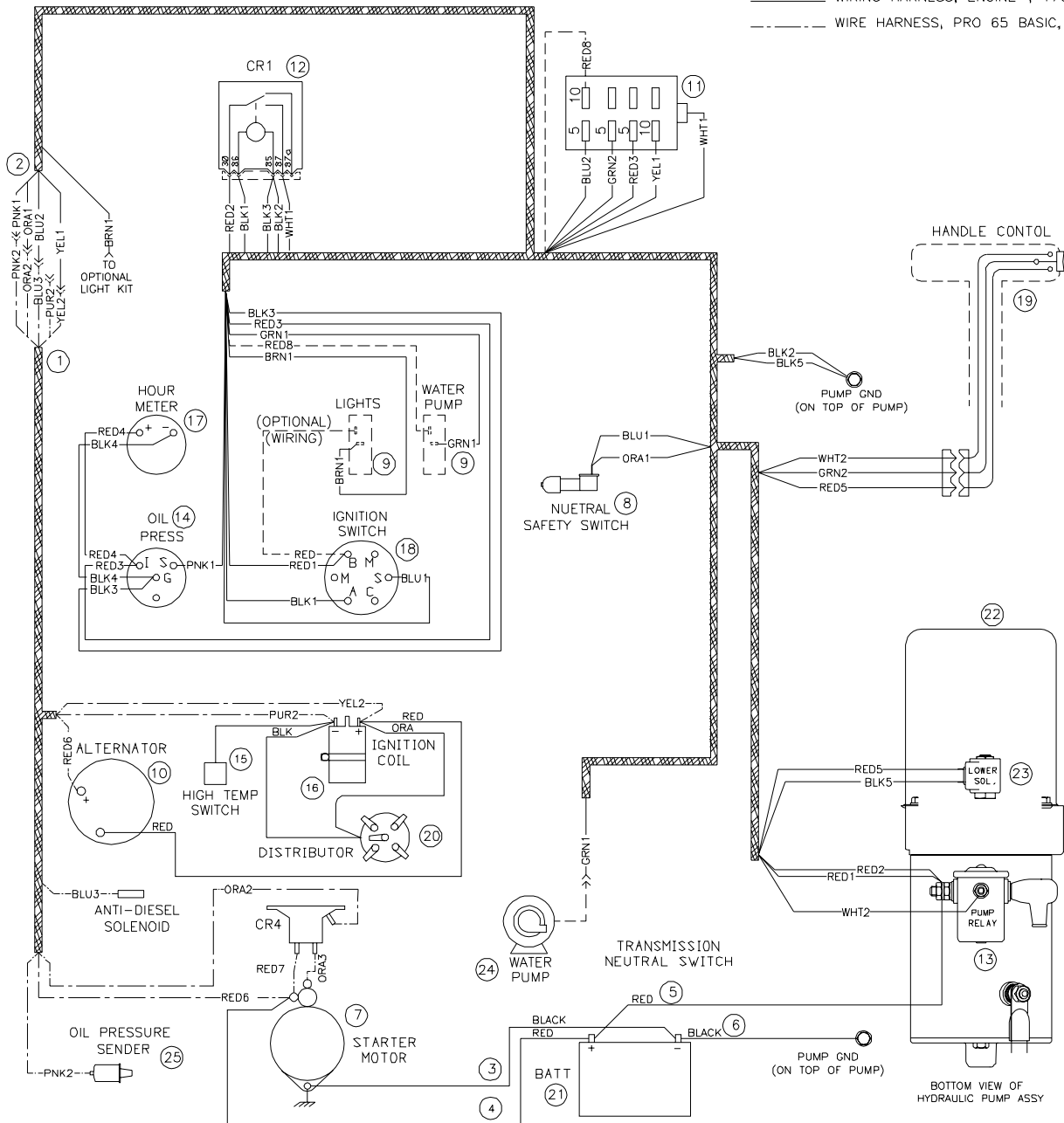


FIGURE 17 - PARTS LIST

DIAG. LOC.	PART NO.	QTY. REQ.	DESCRIPTION	DIAG. LOC.	PART NO.	QTY. REQ.	DESCRIPTION
1	176685	1	Wiring Harness, Engine	14	166360	1	Gauge, Oil Pressure
2	183087	1	Wiring Harness, Cowl	15	-----	1	High Temp. Safety Switch (Wisc. #YC66D)
3	163179	1	Cable, Battery, Negative 40"	16	-----	1	Coil, Ignition (Wisconsin #YF41AS1)
4	163180	1	Cable, Battery, Positive 52"	17	163779	1	Gauge, Hour Meter
5	139261	1	Cable, Battery, Positive, Hyd.	18	166707	1	Switch, Ignition
6	176714	1	Cable, Battery, Negative, Hyd.	19	183135	1	Handle, Transmission/Lift Control
7	-----	1	Starter (Wisconsin #YA60)	20	-----	1	Distributor (Wisconsin #YF10CS1)
8	176398	1	Switch, Neutral Safety	21	163121	1	Battery, 12 Volt
9	166711	1 ea.	Switch, Rocker (Optional)	22	166633	1	Hydraulic Pump Assembly
10	-----	1	Alternator (Wisconsin #YB69)	23	166594	1	Coil - 12V DC
11	166622	1	Block, Fuse	24	164977	1	Water Pump (Optional)
12	166708	1	Relay, N.O. N.C.	25	166361	1	Sender, Oil Pressure
13	166121	1	Solenoid Relay				

FIGURE 18 - WIRING DIAGRAM PRO 65III PREMIUM

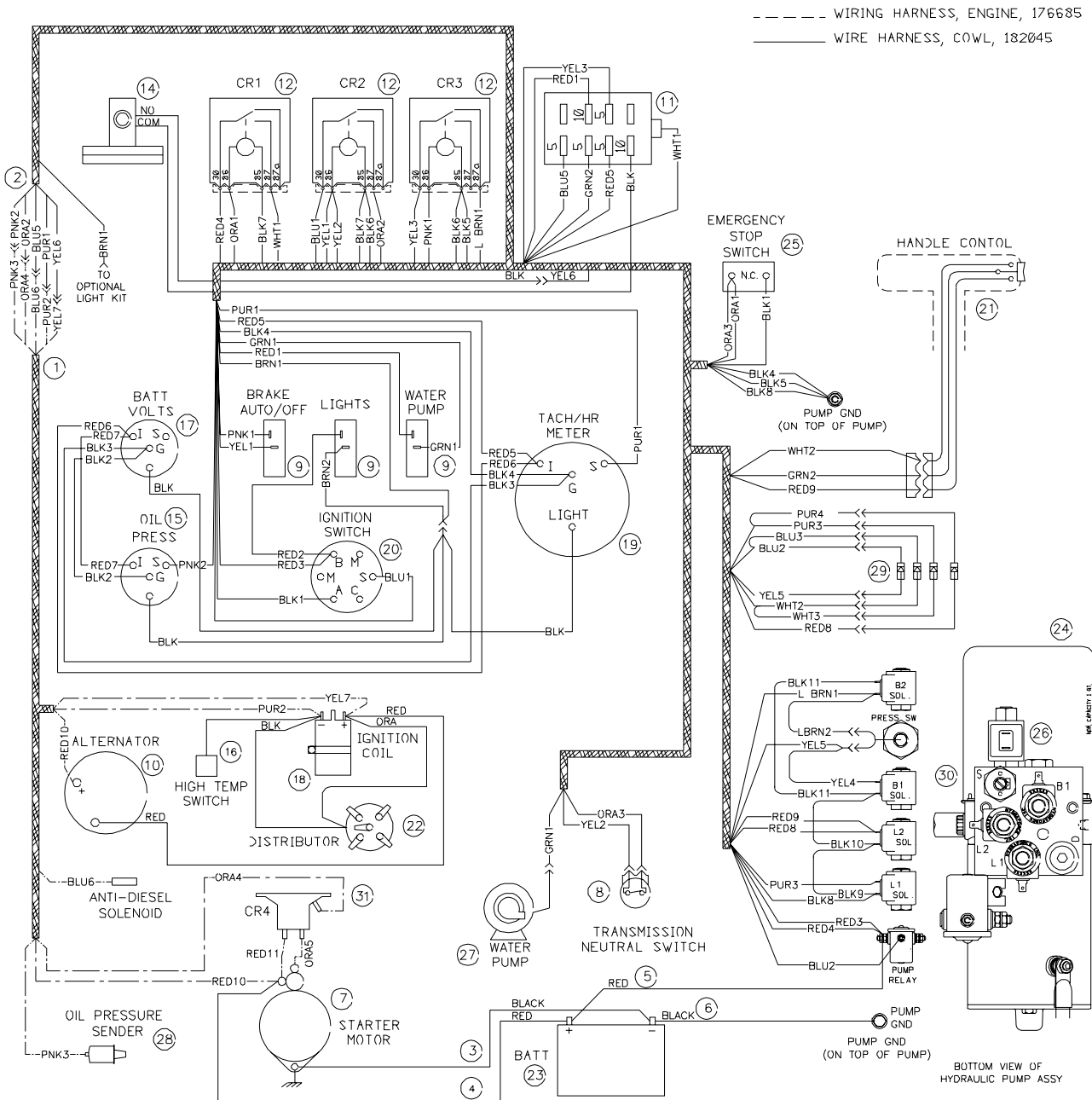
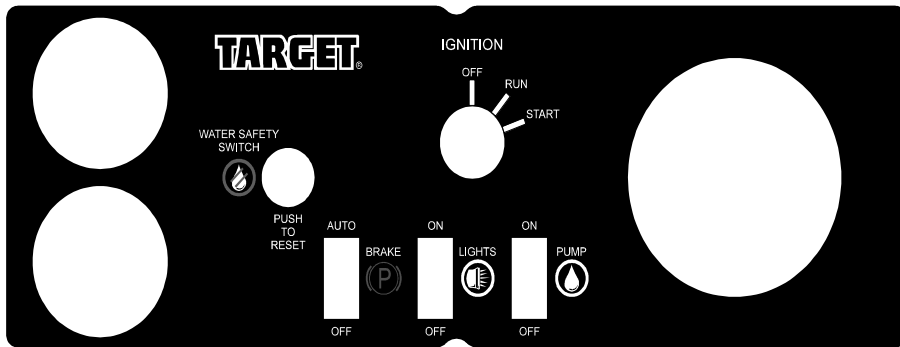


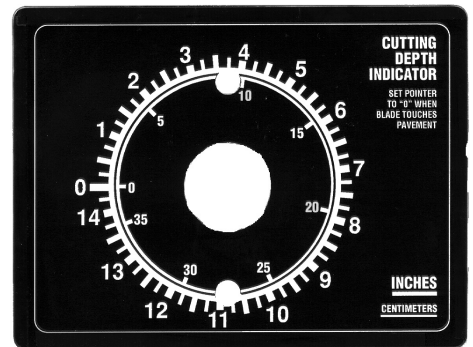
FIGURE 18 - PARTS LIST

DIAG. LOC.	PART NO.	QTY. REQ.	DESCRIPTION	DIAG. LOC.	PART NO.	QTY. REQ.	DESCRIPTION
1	176685	1	Wiring Harness, Engine	16	-----	1	High Temp. Safety Switch (Wis. #YC66D)
2	182045	1	Wiring Harness, Cowl	17	166438	1	Gauge, Battery Volts
3	163179	1	Cable, Battery, Negative 40"	18	-----	1	Coil, Ignition (Wisconsin #YF41AS1)
4	163180	1	Cable, Battery, Positive 52"	19	163665	1	Gauge, Tach. / Hour Meter
5	139261	1	Cable, Battery, Positive, Hyd. 8"	20	166707	1	Switch, Ignition
6	176714	1	Cable, Battery, Negative, Hyd. 18"	21	183135	1	Handle, Transmission/Lift Control
7	-----	1	Starter (Wisconsin #YA60)	22	-----	1	Distributor (Wisconsin #YF10CS1)
8	166447	1	Switch, Neutral Safety	23	163121	1	Battery, 12 Volt
9	166711	3	Switch Rocker	24	183274	1	Hydraulic Pump Assembly
10	-----	1	Alternator (Wisconsin #YB69)	25	176383	1	Emergency Stop Switch
11	166622	1	Block, Fuse	26	166594	4	Coil - 12V DC
12	166708	3	Relay, N.O. N.C.	27	164977	1	Water Pump (Optional)
13	166121	1	Solenoid Relay	28	166361	1	Oil Pressure Sender
14	047136	1	Water Safety Switch	29	182048	1	Diode Assembly, Hyd. Brake
15	166360	1	Gauge, Oil Pressure	30	183004	1	Pressure Switch
				31	181065	1	Relay, Glow Plug

DECAL DESCRIPTIONS AND LOCATIONS DESCRIPCIÓN DE CALCAMONIAS Y UBICACIONES



INSTRUMENT PANEL
P/N 176578 - Pro 65 Premium & Pro 40 (Shown)
P/N 183080 - Pro 65 Basic



DEPTH INDICATOR
P/N 163694 - All Models

TARGET

WARNING

FAILURE TO FOLLOW THE WARNINGS AND INSTRUCTIONS BELOW MAY RESULT IN SERIOUS INJURY OR DEATH

- Read entire operator's manual before operating this machine. Understand all warnings, instructions and controls. **IF YOU DO NOT HAVE AN OPERATOR'S MANUAL, CALL TOLL FREE 1-800-288-6040.**
- Machinery Hazard - Always keep all guards in place and in good condition. Always keep all parts of your body away from blade and all other moving parts. Never allow blade exposure to exceed 100".
- Always use blades with a rated speed above the bladeshaft speed. Excessive speed can cause blade breakage. Verify speed by checking bladeshaft rpm, pulley diameters and blade flange diameter.
- Never use damaged blades or equipment.
- Never operate this machine in areas of combustible material.
- Always use this machine only in well ventilated areas.
- Always wear safety approved hearing, eye, head and respiratory protection.

Never stand behind or in front of the blade path while the engine is running.

Always use blade flange size shown for each blade size. Never use damaged or worn blade flanges.

Never leave this machine unattended while the engine is running.

Never cook, jam, wedge or twist blade in a cut.

Never use a wet cutting blade without adequate water supply to the blade.

Always use the correct blade for the type of work being done. Check with the blade manufacturer if you do not know the blade is correct.

Always use caution when refueling.

Always use caution when lifting and transporting this machine. Lift only from the lift bar. Never use the tie-down brackets for lifting. Always tie down machine when transporting.

Never tow this machine behind a vehicle.

Never operate this machine while under the influence of drugs or alcohol.

Always operate this machine with the parking brake switch in the auto position.

Refer to operator's manual for additional information concerning safety, operation and maintenance.

BLADE SIZE	BLADE SHAFT		ENGINE SPEED	
	LOADED RPM	PULLEY SIZE	LOADED RPM	PULLEY SIZE
14"	2750	4.12"	2400	4.75"
16"	2750	4.12"	2400	4.75"
26"	1750	4.12"	2000	3.65"
30"	1400	5.20"	2000	3.65"
36"	1400	5.20"	2000	3.65"
48"	950	7.60"	1400	3.50"

TRANSMISSION CONTROL

UNLEADED FUEL ONLY

RAISE LOWER

BLADE CONTROL

FORWARD

STOP

REVERSE

EMERGENCY

TRANSMISSION MUST BE IN NEUTRAL TO START ENGINE

OPERATING INSTRUCTIONS, TOP OF COWL
P/N 183126 - Pro 65 Premium & Basic (Shown)
P/N 183134 - Pro 40



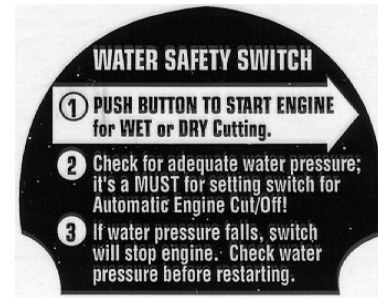
TOP OF FRAME BETWEEN BLADESHAFT BEARINGS
P/N 166669 (Quad Sealed Bearings ONLY)
Pro 65 Premium Only

TOP OF FRAME BETWEEN BLADESHAFT BEARINGS
P/N 040563 (Standard Ball Bearings ONLY)
Pro 65 Basic & Pro 40

DECAL DESCRIPTIONS AND LOCATIONS DESCRIPCIÓN DE CALCAMONIAS Y UBICACIONES



REAR OF COWL ABOVE OPENING TO TRANSMISSION
Top Of Frame, Left Side Of Engine By Lift Bail Mount
P/N 176223 (Quantity 2) (All Models)



WATER SAFETY SWITCH
Inside Dash
P/N 046457 (Pro 65 Premium & Pro 40)



TOP OF BLADE GUARD
P/N 046128 (All Models)



BLADE ROTATION DIRECTION
Top Of Blade Guard
P/N 167289 (All Models)



DEPTH STOP: TOP OF COWL
P/N 163233 Pro 65 Premium & Pro 40



AXLE ADJUSTMENT: LEFT REAR, FRAME BASE
P/N 163246 (All Models)

DECAL DESCRIPTIONS AND LOCATIONS
DESCRIPCIÓN DE CALCAMONIAS Y UBICACIONES



TARGET®

P/N 166092: REAR OF COWL

P/N 163515 with Stripe: LEFT & RIGHT SIDES OF COWL (QTY 2)
(All Models)

THROTTLE / CHOKE

Right Of Depth Indicator
P/N 166035(All Models)

PRO 65 III

Left And Right Sides Of Cowl (Qty. 2)
P/N 176704: Pro 65iii Premium & Basic

PRO 40 III

Left And Right Sides Of Cowl (Qty. 2)
P/N 176715: Pro 40iii