

# PARTS MANUAL



**NIGHTHAWK SERIES  
MODEL LT12D50B  
DEDICATED LIGHT TOWER  
(LOMBARDINI LDW 1003 DIESEL ENGINE)**

Revision #0 (03/13/09)

THIS MANUAL MUST ACCOMPANY THE EQUIPMENT AT ALL TIMES.

**PN: 49123**

## SUGGESTED SPARE PARTS

### LT12D50B LIGHT TOWER

1 to 3 units

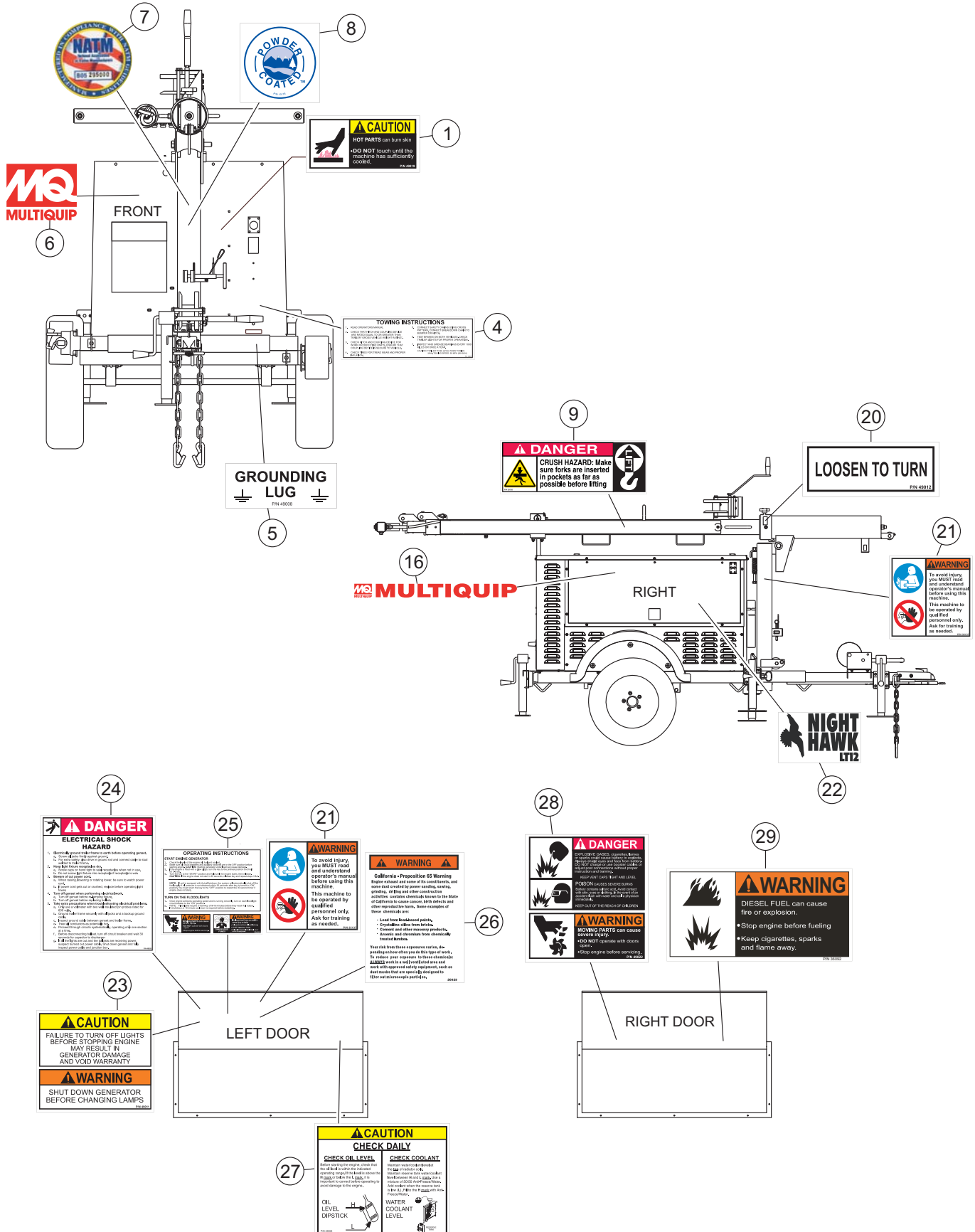
| Qty.   | P/N              | Description                           |
|--------|------------------|---------------------------------------|
| 2..... | 200ZG106 .....   | Lens Gasket                           |
| 2..... | 190ZQREF .....   | Lens                                  |
| 2..... | 50Z-D-REF-SUP .. | Support, Lamp Tip                     |
| 2..... | MVR1000BT37 .... | Bulb                                  |
| 1..... | 29798 .....      | Ballast & Capacitor 230V, 50Hz        |
| 1..... | 150Z-E267 .....  | Cord Set, 60" w/ 3 Pin Male Plug      |
| 1..... | 0051475BH .....  | Ballast Capacitor 30 $\mu$ F @440V    |
| 1..... | GECAP35MF .....  | Excitation Capacitor 35 $\mu$ F @425V |

### LT12D50B LIGHT TOWER WITH LOMBARDINI LDW 1003 DIESEL ENGINE

1 to 3 units

| Qty.   | P/N           | Description                      |
|--------|---------------|----------------------------------|
| 1..... | 2175107 ..... | Oil Filter, Lombardini           |
| 1..... | 2175046.....  | Fuel Filter 4-3/4"L              |
| 1..... | 12850347 .... | Fuel Filter 2-3/4"L              |
| 1..... | 2175143S ...  | Fuel Filter W/Water Drain        |
| 1..... | 2175164.....  | Air Filter                       |
| 1..... | 12850745....  | Fan Belt 875mm                   |
| 1..... | 12851312....  | Lower Radiator Hose              |
| 1..... | 12850362....  | Upper Radiator Hose              |
| 1..... | 9195124.....  | Thermostat                       |
| 1..... | 12850153....  | Thermostat Gasket (O-Ring)       |
| 1..... | 6585097 ..... | Fuel (Feed) Pump                 |
| 1..... | 1200087 ..... | Fuel (Feed) Pump Gasket (O-Ring) |
| 1..... | 6584438.....  | Water Pump                       |
| 1..... | 4580083.....  | Water Pump Gasket                |
| 1..... | 6745056.....  | Oil Switch                       |
| 1..... | 12850742....  | Alternator                       |
| 1..... | 7245454.....  | Electric Panel Control Box       |
| 1..... | 5840224.....  | Starter                          |
| 1..... | 2440338.....  | Timing Belt                      |
| 1..... | 5460450.....  | Muffler                          |
| 1..... | 4400102.....  | Valve Cover Gasket               |

# NAMEPLATES AND DECALS 1



## NAMEPLATES AND DECALS 1

---

| <u>NO.</u> | <u>PART NO.</u> | <u>PART NAME</u>                         | <u>QTY.</u> | <u>REMARKS</u>                              |
|------------|-----------------|--|-------------|---|
| 1          | 49019           | DECAL, HOT SURFACE .....                 | 1           | .... REPLACES DCL181                        |
| 4          | 49009           | DECAL, TOWING INSTRUCTIONS .....         | 1           | .... REPLACES DCL112                        |
| 5          | 49008           | DECAL, GROUND LUG.....                   | 1           | .... REPLACES DCL105                        |
| 6          | 49025           | DECAL, MQ LOGO 5.6 X 4.5, RED            | 1           |   |
| 7          | 29729           | DECAL, NATM MANUFACTURER COMPLIANCE      | 1           |   |
| 8          | 13118           | DECAL, POWDER COATED                     | 1           |   |
| 9          | 29126           | DECAL, INSERT FORKS.....                 | 1           | .... REPLACES DCL103                        |
| 16         | 49026           | DECAL, MQ/MULTIQUIP, 36" RED             | 1           |   |
| 20         | 49012           | DECAL, LOOSEN TO TURN (MAST) .....       | 1           | .... REPLACES DCL116                        |
| 21         | 35137           | DECAL, READ MANUAL, ASK FOR TRAINING     | 2           |   |
| 22         | 49029           | DECAL, NIGHTHAWK/LT12, CURB SIDE         | 1           |   |
| 23         | 49011           | DECAL, LAMPS.....                        | 1           | .... REPLACES DCL113, DCL117                |
| 24         | 49020           | DECAL, SHOCK HAZARD, LARGE.....          | 1           | .... REPLACES DCL102                        |
| 25         | 49014           | DECAL, OPERATING INSTRUCTIONS.....       | 1           | .... REPLACES DCL119, DCL180, DCL182, 36090 |
| 26         | 20525           | DECAL, WARNING "PROP 65", 3.25 X 4.25    | 1           |   |
| 27         | 49006           | DECAL, CHECK ENGINE.....                 | 1           | .... REPLACES DCL193, DCL194                |
| 28         | 49022           | DECAL, DANGER BATTERY/MOVING PARTS ..... | 1           | .... REPLACES DCL182, DCL191                |
| 29         | 36092           | DECAL, DIESEL FUEL, 3.5 X 1.75.....      | 1           | .... REPLACES DCL184                        |

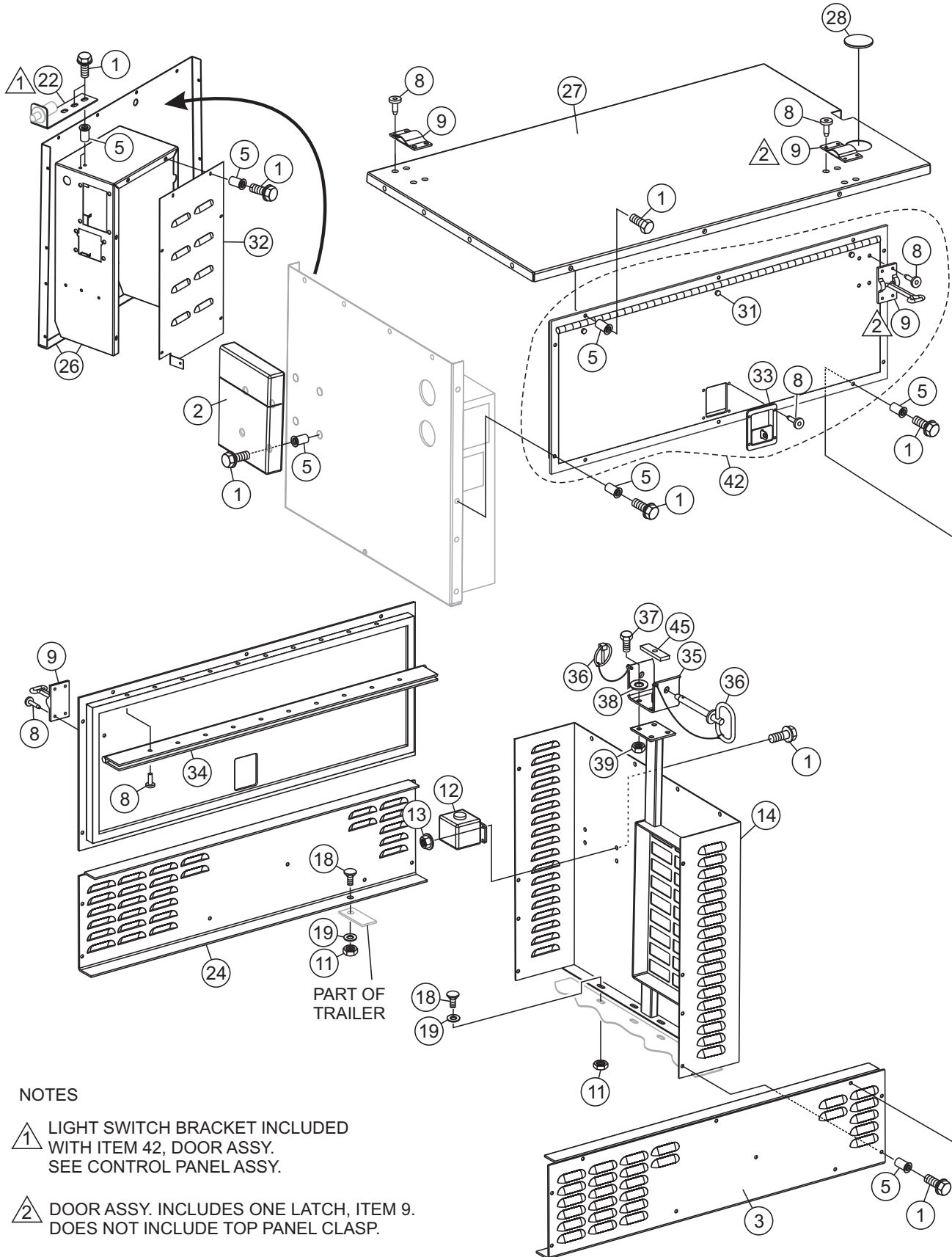


## NAMEPLATES AND DECALS 2

---

| <u>NO.</u> | <u>PART NO.</u> | <u>PART NAME</u>                      | <u>QTY.</u> | <u>REMARKS</u>                      |
|------------|-----------------|---------------------------------------|-------------|-------------------------------------|
| 9          | 29126           | DECAL, INSERT FORKS.....              | 1           | REPLACES DCL103                     |
| 10         | 49018           | DECAL, MAST LOCK PIN .....            | 1           | REPLACES DCL118                     |
| 11         | 29680           | DECAL, MULTIPLE TRAILER VIN           | 1           |                                     |
| 12         | 29838           | DECAL, TIRE LOADING, LT12             | 1           |                                     |
| 13         | 49002           | DECAL, TRLR HITCH/WHEEL WARNING ..... | 1           | REPLACES 29471, 29472, 29473, 29474 |
| 14         | 49013           | DECAL, STANCHION LATCH .....          | 1           | REPLACES DCL109, DCL104             |
| 15         | 49028           | DECAL, NIGHTHAWK/LT12, ROAD SIDE      | 1           |                                     |
| 16         | 49026           | DECAL, MQ/MULTIQUIP, 36" RED          | 1           |                                     |
| 17         | 29132           | DECAL, SHUT DOWN                      | 1           |                                     |
| 18         | 29047           | DECAL, HIGH VOLTAGE                   | 1           |                                     |
| 19         | 49027           | DECAL, MQ/MULTIQUIP, 30" RED          | 1           |                                     |
| 30         | 49016           | DECAL, HORIZONTAL JACKS .....         | 3           | REPLACES DCL106                     |
| 31         | 36091           | DECAL, HOT COOLANT 3.5 X 1.75.....    | 1           | REPLACES DCL183                     |
| 32         | 29651           | DECAL, MAST SAFETY .....              | 1           | REPLACES DCL108, DCL120             |
| 33         | 49007           | DECAL, MAIN BREAKERS.....             | 1           | REPLACES DCL189, DCL199             |
| 34         | 49010           | DECAL, LIGHT CONTROLS.....            | 1           | REPLACES DCL115                     |
| 35         | 19655           | DECAL, DANGER HIGH VOLTAGE .....      | 1           | REPLACES 29116                      |
| 36         | 49021           | DECAL, SHOCK HAZARD, SMALL .....      | 1           | REPLACES DCL187                     |

# CABINET ASSY.



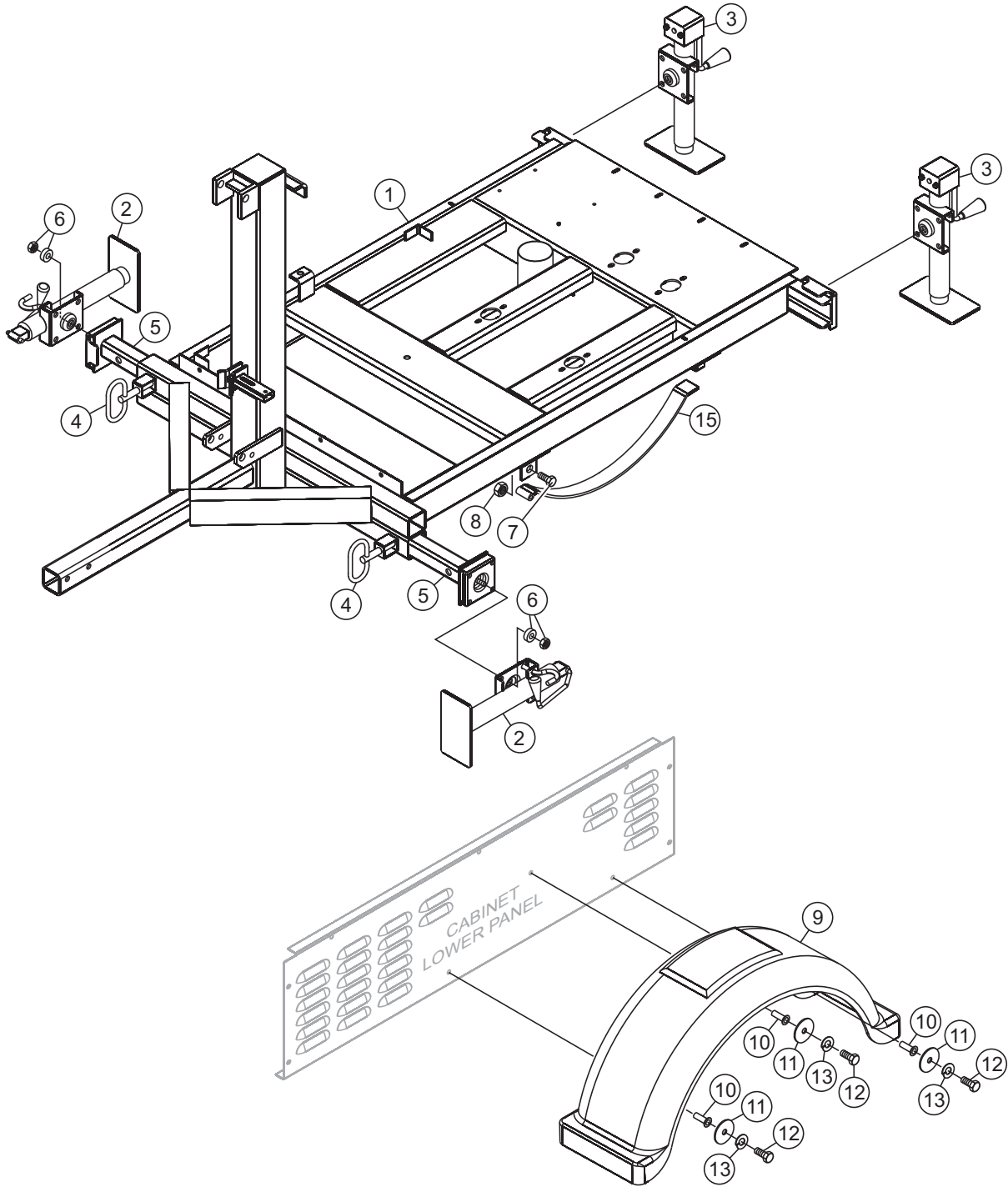
## NOTES

- △ 1 LIGHT SWITCH BRACKET INCLUDED WITH ITEM 42, DOOR ASSY. SEE CONTROL PANEL ASSY.
- △ 2 DOOR ASSY. INCLUDES ONE LATCH, ITEM 9. DOES NOT INCLUDE TOP PANEL CLASP.

# CABINET ASSY.

| <u>NO.</u> | <u>PART NO.</u> | <u>PART NAME</u>                         | <u>QTY.</u> | <u>REMARKS</u>     |
|------------|-----------------|--|-------------|--------------------|
| 1          | 49048           | SCREW, HHFS 1/4-20 X 3/4 GR5             | 50          |                    |
| 2          | 29057           | DOCUMENT BOX, CP20007-07                 | 1           |                    |
| 3          | 29943           | PANEL, LOWER LEFT SIDE                   | 1           |                    |
| 5          | 19266           | NUT, BLIND 1/4-20 X 10GA GRIP            | 50          |                    |
| 8%         | 19847           | RIVET, POP, ALUM, 3/16 X 1/8-1/4 GRIP    | 66          |                    |
| 9%         | 29281           | DOOR HOLD BACK ASSY.                     | 4           |                    |
| 11         | 10024           | NUT, NYLOC 1/4-20                        | 6           |                    |
| 12         | 29653           | TANK, COOLANT RECOVERY 1 QT              | 1           |                    |
| 13         | 10024           | NUT, NYLOC 1/4-20                        | 4           |                    |
| 14         | 29967           | PANEL, REAR                              | 1           |                    |
| 18         | 29712           | BOLT, CARRIAGE 1/4-20 X 3/4              | 6           |                    |
| 19         | 0948            | WASHER, FLAT SAE 1/4                     | 6           |                    |
| 22%        | 29607           | BRACKET, LIGHT SWITCH                    | 1           |                    |
| 24         | 29942           | PANEL, LOWER RIGHT SIDE                  | 1           |                    |
| 26         | 29975           | PANEL, FRONT//ELECTRICAL ENCLOSURE, SNAP | 1           |                    |
| 27         | 29553           | PANEL, TOP                               | 1           |                    |
| 28         | 29989           | COVER, PLASTIC SNAP 4.0 HOLE             | 1           |                    |
| 31%        | 29711           | BUMPER, 1/2 DIA. BLACK                   | 6           |                    |
| 32         | 29879           | COVER, BALLAST DLT, SNAP FIT SWITCH      | 1           |                    |
| 33%        | 081407053413    | LATCH                                    | 2           |                    |
| 34%        |                 | PIANO HINGE                              |             |                    |
| 35         | 29936           | MAST SUPPORT                             | 1           |                    |
| 36         | 19280           | PIN, 5/8" X 6"                           | 1           |                    |
| 37         | 1023            | SCREW, HHC 3/8-16 X 1-1/4 GR 5           | 4           |                    |
| 38         | 10136           | WASHER, FLAT SAE 3/8                     | 4           |                    |
| 39         | 10133           | NUT, NYLOC 3/8-16                        | 4           |                    |
| 42         | 49051           | DOOR ASSY.....                           | 2           | INCLUDES ITEMS W/% |
| 45         | 29946           | STOP, MAST SUPPORT, 3/8"                 | 1           |                    |
| 50         | 29554           | SUPPORT, PANEL TOP                       | 1           |                    |

# TRAILER ASSY.

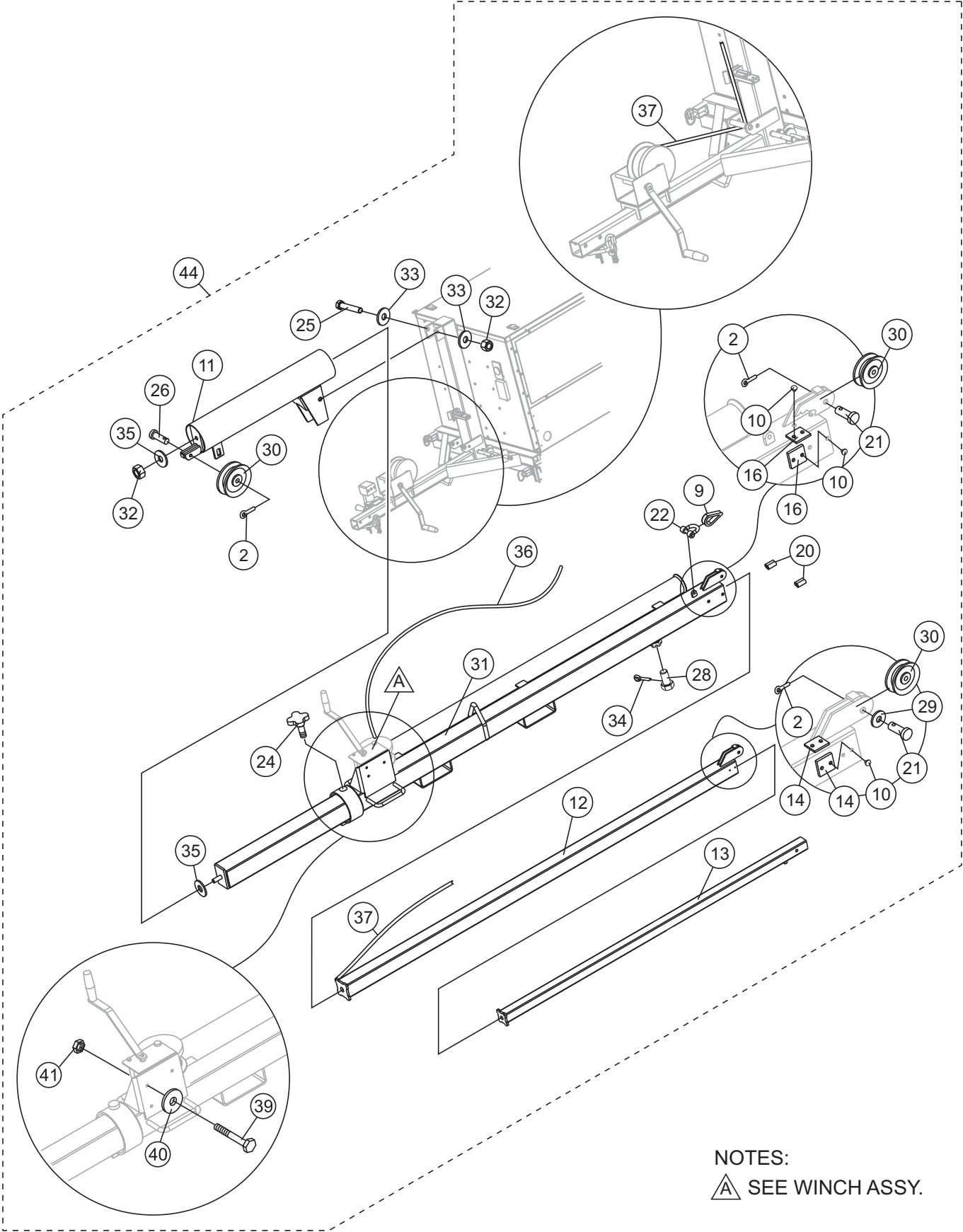


## TRAILER ASSY.

---

| <u>NO.</u> | <u>PART NO.</u> | <u>PART NAME</u>                      | <u>QTY.</u> | <u>REMARKS</u> |
|------------|-----------------|---------------------------------------|-------------|----------------|
| 1          | 29963           | FRAME, BUNDED                         | 1           |                |
| 2          | 29478           | JACK, TOPWIND 10" BOLT-THRU .5 PIN    | 2           |                |
| 3          | 29479           | JACK, SIDEWIND 10" BOLT THRU 0.5" PIN | 2           |                |
| 4          | 29542           | PIN, SPRING LOCK, .625" DIA. X .88"   | 2           |                |
| 5          | 49076           | OUTRIGGER, W/A, BOLT MOUNT, PAINTED   | 2           |                |
| 6          | 7H0933325       | BUSHING/LOCKNUT/BOLT                  | 5           |                |
| 7          | 29248           | SCREW, HHC 9/16-18                    | 2           |                |
| 8          | 29249           | NUT, 9/16-18 AXLE MOUNTING N-2        | 2           |                |
| 9          | 29818           | FENDER, PLASTIC DLT                   | 2           |                |
| 10         | 19266           | NUT, BLIND 1/4-20 X 10GA GRIP         | 6           |                |
| 11         | 10930           | WASHER, FENDER, 1/4 X 1-1/4           | 6           |                |
| 12         | 0730            | SCREW, HHC 1/4-20 X 1                 | 6           |                |
| 13         | 0181 B          | WASHER, LOCK 1/4 MED                  | 6           |                |
| 15         | 49017           | LEAF SPRING                           | 2           |                |

**MAST ASSY.**

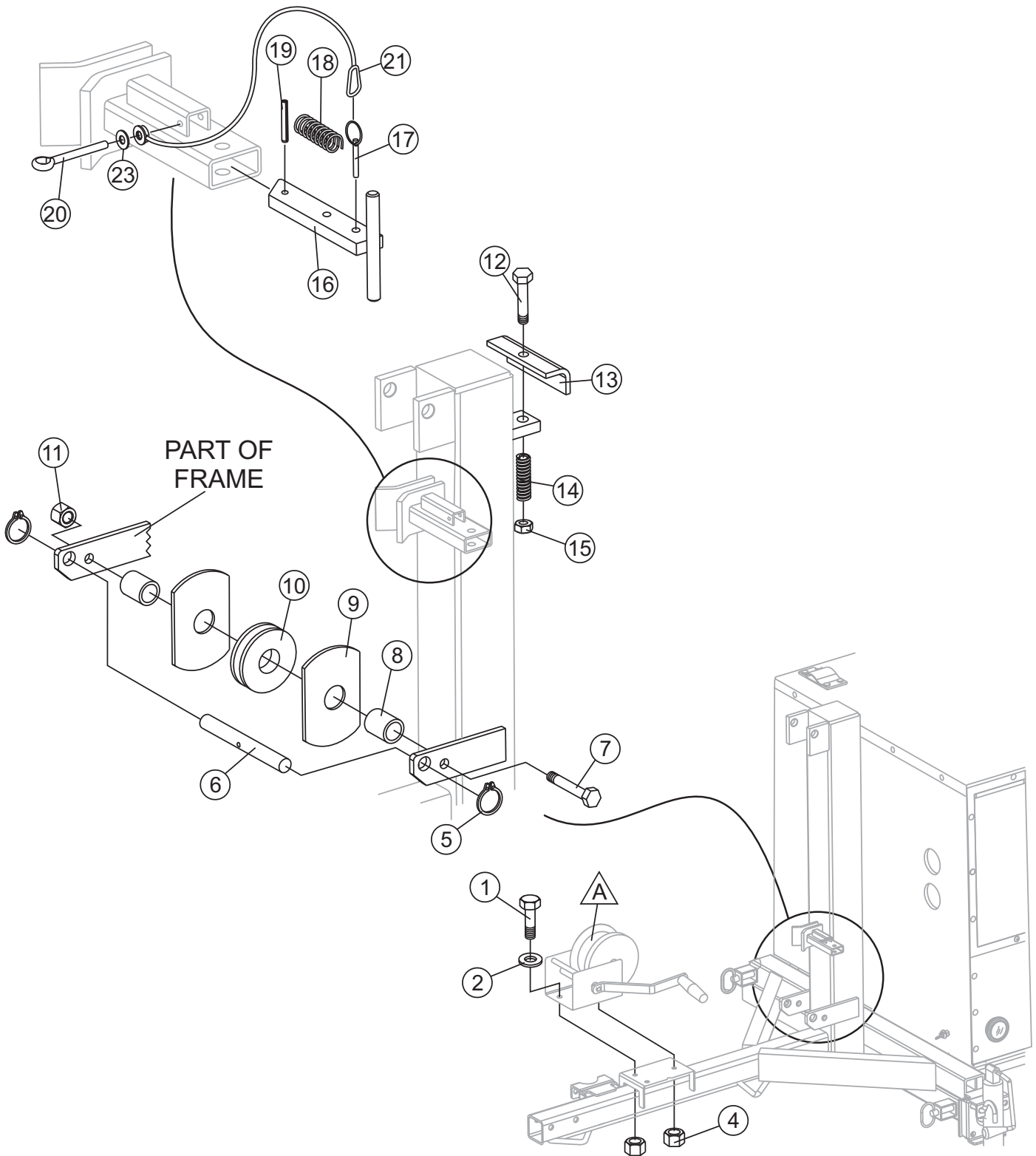


NOTES:  
▲ SEE WINCH ASSY.

# MAST ASSY.

| <u>NO.</u> | <u>PART NO.</u> | <u>PART NAME</u>                     | <u>QTY.</u> | <u>REMARKS</u>       |
|------------|-----------------|--------------------------------------|-------------|----------------------|
| 2          | 0183            | PIN, COTTER 1/8D X 1-1/4             | 3           |                      |
| 9          | 19200           | THIMBLE, 3/16 WIRE                   | 1           |                      |
| 10         | 19847           | RIVET, POP, ALUM, 3/16x1/8-1/4 GRIP  | 16          |                      |
| 11         | 19882           | SWIVEL, BASE W/A                     | 1           |                      |
| 12         | 19920           | TUBE, TW-MID W/A                     | 1           |                      |
| 13         | 19923           | TUBE, TWR TOP W/A                    | 1           |                      |
| 14         | 35302           | BLOCK, MAST SLIDE, 2 X 2 UPPER       | 4           |                      |
| 16         | 35300           | BLOCK, MAST SLIDE, 3 X 3 LOWER       | 4           |                      |
| 20         | 19973           | SWAGE, AL 3/16                       | 2           |                      |
| 21         | 19974           | PIN, CLEVIS 1/2 X 1.25 EFF           | 2           |                      |
| 22         | 19975           | SHACKLE, ANCHOR CP                   | 1           |                      |
| 24         | 19977           | KNOB, CLAMP 1/2-13 THREAD            | 1           |                      |
| 25         | 19978           | SCREW, HHC 3/4-10 x 6.5              | 1           |                      |
| 26         | 19988           | PIN, CLEVIS 1/2 X 1.75 EFF           | 1           |                      |
| 28         | 29075           | SCREW, HHC 1/2-13 X 1 DRILLED        | 1           |                      |
| 29         | 29114           | WASHER, FENDER 1/2 x 2 MLT           | 1           |                      |
| 30         | 29155           | SHEAVE, 2.00 OD X 0.500 ID           | 3           |                      |
| 31         | 29941           | TUBE, BOTTOM TOWER W/A               | 1           |                      |
| 32         | 5070 B          | NUT, NYLOC 3/4-10                    | 2           |                      |
| 33         | 5079            | WASHER, FLAT 3/4 USS                 | 3           |                      |
| 34         | 6014 B          | PIN, COTTER 3/32DX1.00               | 1           |                      |
| 35         | 8151            | WASHER, FLAT SAE 3/4                 | 2           |                      |
| 36         | 19939           | CABLE, LOWER MAST .....              | 1           | .....231 IN. LENGTH  |
| 37         | 19938           | CABLE, UPPPER MAST.....              | 2           | ..... 140 IN. LENGTH |
| 39         | 1023            | HHC 3/8-16 X 1-1/4 GR5               | 3           |                      |
| 40         | 10136           | WASHER, FLAT 3/8 SAE                 | 3           |                      |
| 41         | 21781           | NUT, FLANGED 3/8-16 SERRATED, PLATED | 3           |                      |
| 44         | 29650           | MAST ASSY.                           | 1           |                      |

# MAST RAISE/LOWER ASSY.



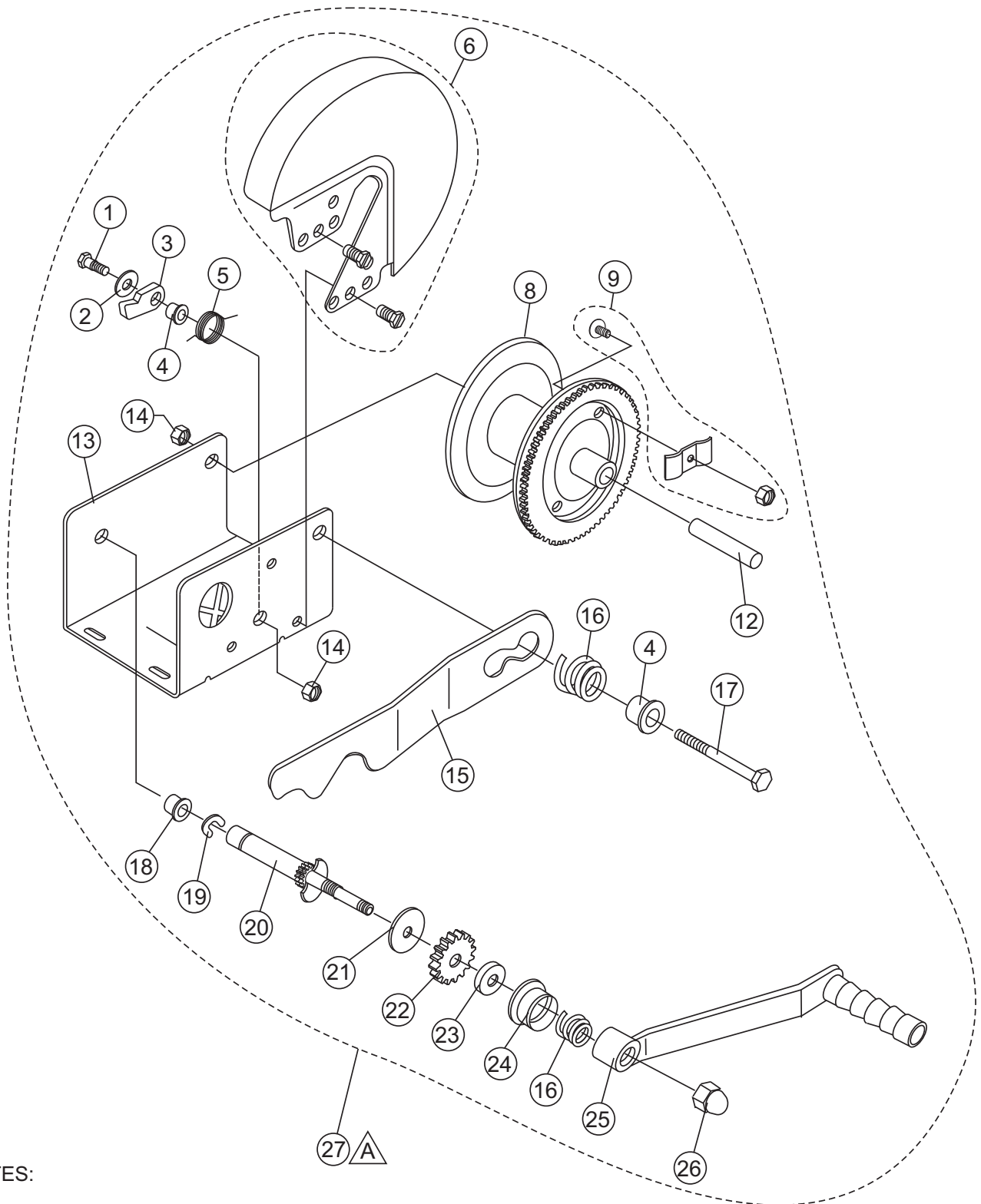
NOTES:

**A** SEE WINCH ASSY.

## MAST RAISE/LOWER ASSY.

---

| <u>NO.</u> | <u>PART NO.</u> | <u>PART NAME</u>                     | <u>QTY.</u> | <u>REMARKS</u> |
|------------|-----------------|--------------------------------------|-------------|----------------|
| 1          | 0205            | SCREW, HHC 3/8-16 x 1 IN. PLATED     | 3           |                |
| 2          | 10136           | WASHER, FLAT 3/8 IN.                 | 3           |                |
| 4          | 21781           | NUT, FLANGED 3/8-16 SERRATED, PLATED | 3           |                |
| 5          | 1135            | SNAP RING                            | 2           |                |
| 6          | 29008           | PIN, SWAGE BALL SOCKET               | 1           |                |
| 7          | 29017           | SCREW, HHC 1/2-13 x 5.5 IN.          | 1           |                |
| 8          | 29018           | SPACER, .75 OD x .5 ID x 1.59 IN.    | 2           |                |
| 9          | 29016           | GUIDE, WIRE ROPE                     | 2           |                |
| 10         | 29155           | SHEAVE, 2 OD x .5 IN. ID             | 1           |                |
| 11         | 10176           | NUT, NYLOC 1/2-13 IN.                | 1           |                |
| 12         | 29077           | SCREW, HHC 5/8-11 x 9.5 IN.          | 1           |                |
| 13         | 29481           | STOP, MAST THRUST SPRING             | 1           |                |
| 14         | 19989           | SPRING, TOWER                        | 1           |                |
| 15         | 9503            | NUT, NYLOC 5/8-11 IN.                | 1           |                |
| 16         | 29033           | TOWER, LOCK                          | 1           |                |
| 17         | 19012           | LOCK PIN 5/16 x 2 IN. QUICK RELEASE  | 1           |                |
| 18         | 29482           | SPRING, .468 OD x 2.13 IN.           | 1           |                |
| 19         | 20276           | PIN, ROLL 1/4 x 1.75 IN.             | 1           |                |
| 20         | 0183            | PIN, COTTER 1/8D x 1-1/4 IN.         | 1           |                |
| 21         | 19996           | LANYARD                              | 1           |                |
| 23         | 1450            | WASHER, FLAT SAE #6                  | 1           |                |



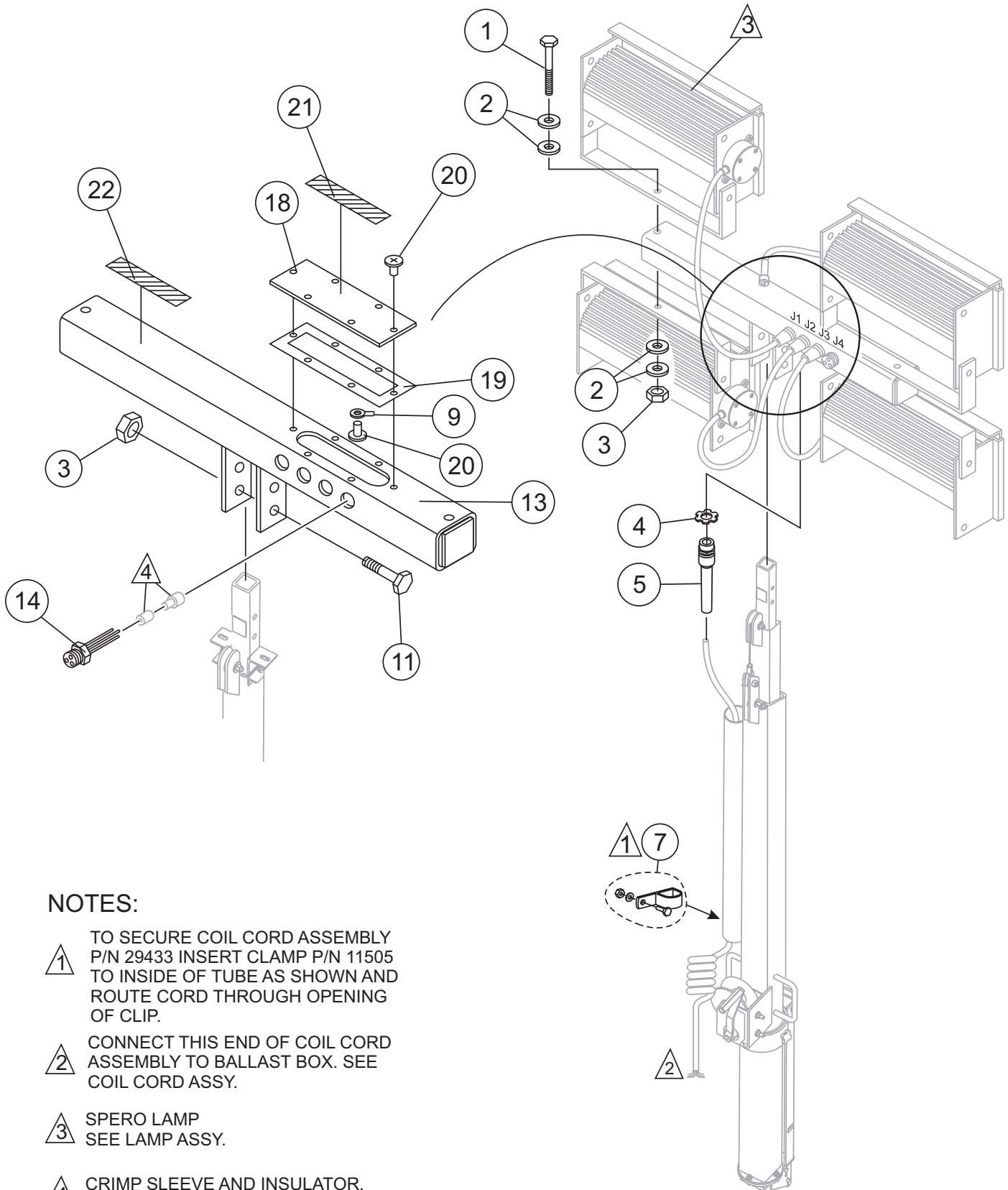
NOTES:

**A** REFER TO MAST AND TRAILER ASSEMBLIES FOR WINCH MOUNTING HARDWARE.

# WINCH ASSY.

| <u>NO.</u> | <u>PART NO.</u> | <u>PART NAME</u>              | <u>QTY.</u> | <u>REMARKS</u>          |
|------------|-----------------|-------------------------------|-------------|-------------------------|
| 1#         | DL205167        | BOLT                          | 1           |                         |
| 2#         | DL205055        | WASHER                        | 1           |                         |
| 3#         | DL404409        | PAWL                          | 1           |                         |
| 4#         | DL404166        | SPACER                        | 2           |                         |
| 5#         | DL204363        | SPRING                        | 1           |                         |
| 6#         | DL5240387       | GEAR COVER, PAINTED BRONZE    | 1           |                         |
| 6#         | DL5240403       | GEAR COVER, PLATED            | 1           |                         |
| 8#         | DL304755        | REEL                          | 1           |                         |
| 9#         | DL304221        | ROPE CLAMP KIT                | 1           |                         |
| 12#        | DL204808        | REEL SPACER                   | 1           |                         |
| 13#        | DL404891        | BASE                          | 1           |                         |
| 14#        | DL204803        | NUT                           | 2           |                         |
| 15#        | DL404579        | LOCKOUT LEVER                 | 1           |                         |
| 16#        | DL204364        | SPRING                        | 2           |                         |
| 17#        | DL205127        | BOLT                          | 1           |                         |
| 18#        | DL204009        | BUSHING                       | 1           |                         |
| 19#        | DL205116        | E-RING                        | 1           |                         |
| 20#        | DL304760        | DRIVE SHAFT                   | 1           |                         |
| 21#        | DL204362        | PRESSURE PLATE                | 1           |                         |
| 22#        | DL404164        | RATCHET WHEEL                 | 1           |                         |
| 23#        | DL404163        | PRESSURE WASHER               | 1           |                         |
| 24#        | DL206328        | BUSHING                       | 1           |                         |
| 25#        | 29793           | HANDLE                        | 1           |                         |
| 26#        | DL205033        | NUT                           | 1           |                         |
| 27         | 29790           | WINCH ASSEMBLY 1500A D-L..... | 1           | .....INCLUDES ITEMS W/# |

# T-BAR ASSY.



## NOTES:

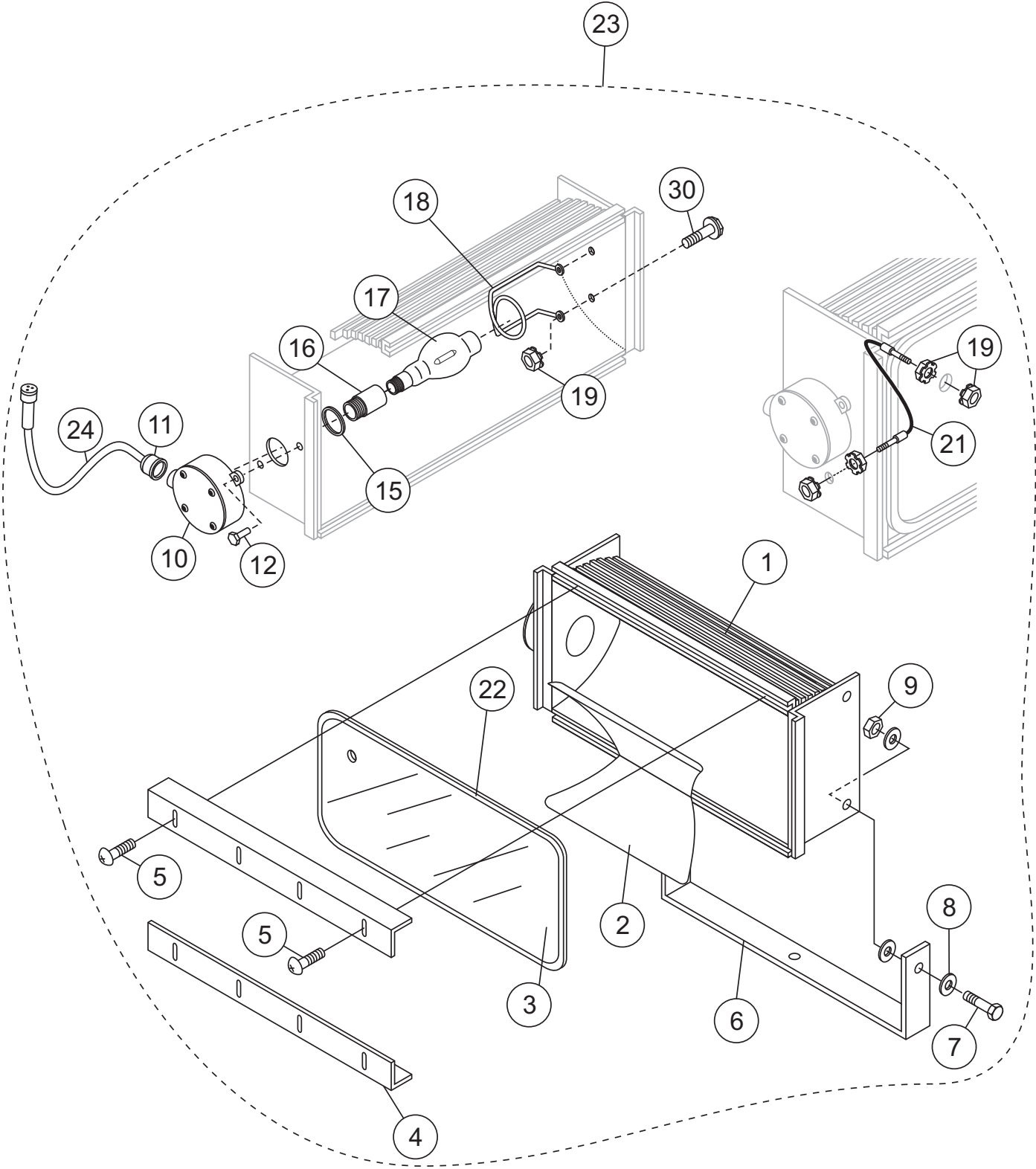
- 1** TO SECURE COIL CORD ASSEMBLY P/N 29433 INSERT CLAMP P/N 11505 TO INSIDE OF TUBE AS SHOWN AND ROUTE CORD THROUGH OPENING OF CLIP.
- 2** CONNECT THIS END OF COIL CORD ASSEMBLY TO BALLAST BOX. SEE COIL CORD ASSY.
- 3** SPERO LAMP  
SEE LAMP ASSY.
- 4** CRIMP SLEEVE AND INSULATOR.  
SEE COIL CORD ASSY.

## T-BAR ASSY.

---

| <u>NO.</u> | <u>PART NO.</u> | <u>PART NAME</u>                    | <u>QTY.</u> | <u>REMARKS</u> |
|------------|-----------------|-------------------------------------|-------------|----------------|
| 1          | 10306           | SCREW, HHC 1/2-13 X 4 1/2           | 2           |                |
| 2          | 13211           | WASHER, FLAT 1/2 IN. USS            | 8           |                |
| 3          | 10176           | NUT, NYLOC 1/2-13                   | 4           |                |
| 4          | 26560           | NUT, LOCKING 3/4 NPT CONDUIT        | 1           |                |
| 5          | 19965           | CORD GRIP (HUBBELL 07401017)        | 1           |                |
| 7          | 11505           | CLAMP                               | 1           |                |
| 9          | 3254            | TERMINAL, RING 16-14 3/8 IN.        | 1           |                |
| 11         | 06503-026       | SCREW, HHC 1/2-13 X 3-1/4 IN.       | 2           |                |
| 13         | 29781           | TEE-BAR, LIGHT MOUNT, MLT/DLT SPERO | 1           |                |
| 14         | 29168           | RECEPTACLE ASSY                     | 4           |                |
| 18         | 19945           | PLATE, T-BAR WIRING COVER           | 1           |                |
| 19         | 19944           | GASKET, T BAR                       | 1           |                |
| 20         | 29046           | SCREW, PHPM 10-32 X 3/8 IN. ZINC    | 7           |                |
| 21         | 29047           | DECAL, HIGH VOLTAGE                 | 1           |                |
| 22         | 19972           | REFLECTOR, RED, PETERSON #B491R     | 1           |                |

**LAMP ASSY.**



## LAMP ASSY.

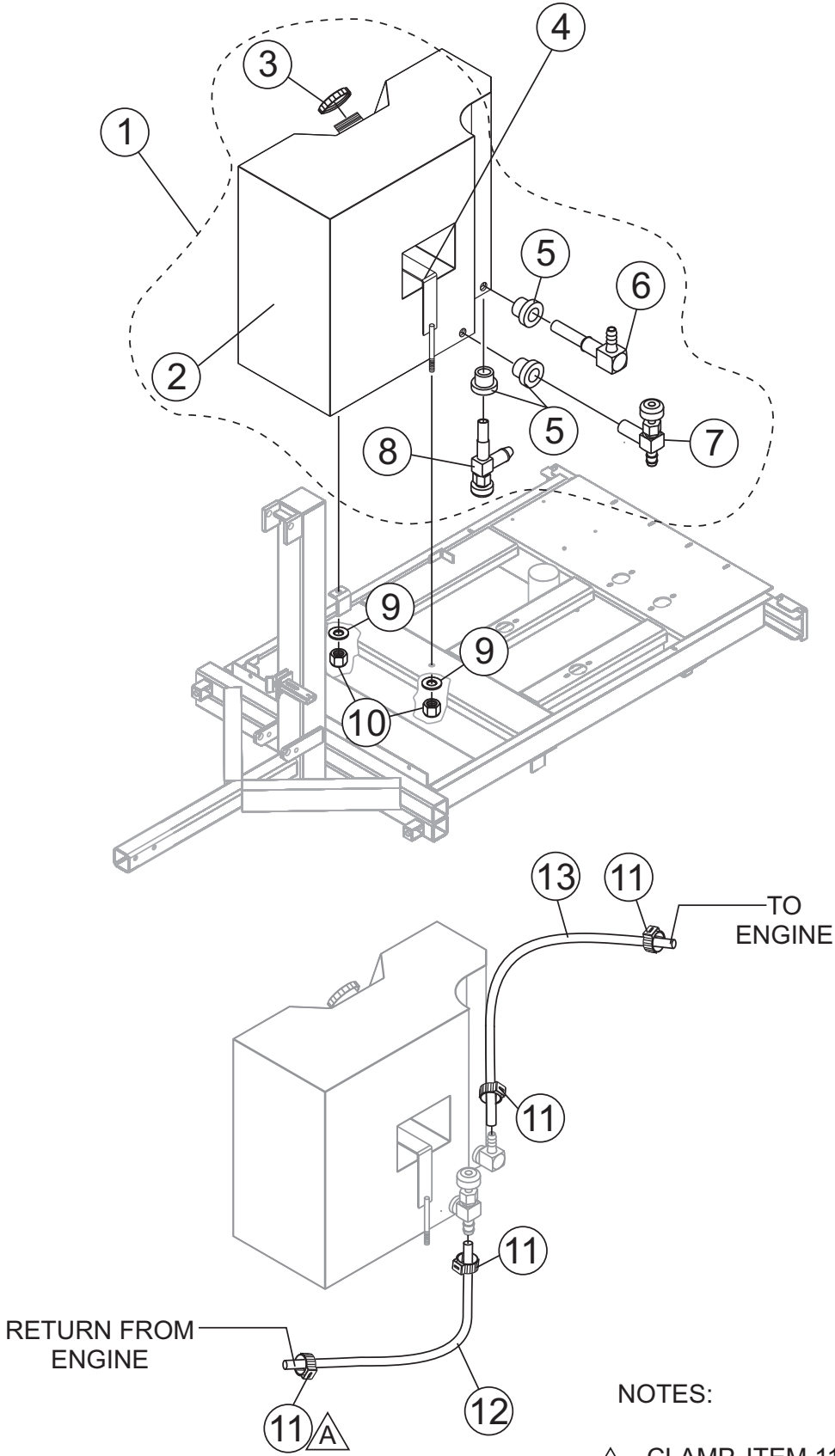
| <u>NO.</u> | <u>PART NO.</u> | <u>PART NAME</u>  | <u>QTY.</u> | <u>REMARKS</u>     |
|------------|-----------------|---|-------------|--------------------|
| 1%         | 20S-REF-1       | REF1000 BODY ASSY.  | 1           |                    |
| 2%         | 30M-REF-REF     | REFLECTOR, ALUMINUM<br>14-7/8 X 16-5/8 IN.                    | 1           |                    |
| 3%         | 190ZQREF        | REF 1000 LENS 190ZQREF  | 1           |                    |
| 4%         | 170M-REF-5      | REF LENS HOLD DOWN  | 2           |                    |
| 5%         | 70Z-FSCR3       | SCREW 8-32 X 1/2 IN.  | 8           |                    |
| 6%         | 250-REF-6       | YOKE, LIGHT FIXTURE   | 1           |                    |
| 7%         | 260Z-FSCR9      | BOLT, HEX HEAD 1/2-13 x 1-1/2 IN.                             | 2           |                    |
| 8%         | 280Z-FWFL2      | WASHER, FLAT 1/2 IN.  | 4           |                    |
| 9%         | 270Z-FNT4       | NUT, HEX 1/2-13 IN.   | 2           |                    |
| 10%        | Z-C-239         | VAPORTITE OCTAGON BOX 1/2 IN.<br>W/4 THREADED PLUGS G9 SILVER | 1           |                    |
| 11%        | 150Z-FSR3       | STRAIN RELIEF SRW 1/2 IN. BLACK                               | 1           |                    |
| 12%        | Z-FSCR9         | BOLT, HEX HEAD ZINC PLATED<br>1/2-13 X 1-1/2 IN.              | 2           |                    |
| 15%        | 90Z-G-102       | GASKET, HEX #5 OR #6  | 1           |                    |
| 16%        | 70Z-SK65        | MOGUL SOCKET<br>W/ANTI-VIBRATION GASKET                       | 1           |                    |
| 17%        | MVR1000BT37     | BULB, LIGHT FIXTURE   | 1           |                    |
| 18%        | 50Z-D-REF-SUP   | SUPPORT, REF1000 LAMP TIP                                     | 1           |                    |
| 19%        | 230Z-FNTL6-1    | KEEP NUT 8-32   | 6           |                    |
| 21%        | 210S-CBL-6      | CABLE ASSEMBLY  | 1           |                    |
| 22%        | 200ZG106        | GASKET, U-CHANNEL REFLECTOR 200ZG106                          | 1           |                    |
| 23         | 29773           | LIGHT FIXTURE ASSY. ....                                      | 1           | INCLUDES ITEMS W/% |
| 24%        | 150Z-EZ67       | POWER CORD, 60" W/ 3-PIN MALE PLUG                            | 1           |                    |
| 30%        | 4106781000      | SCREW, 8-32 X 3/8   | 2           |                    |



## CONTROL PANEL/BALLAST ASSY.

| <u>NO.</u> | <u>PART NO.</u> | <u>PART NAME</u>                        | <u>QTY.</u> | <u>REMARKS</u>     |
|------------|-----------------|---|-------------|--------------------|
| 1          | 0166 A          | WASHER, LOCK, 3/8 MED.                  | 1           |                    |
| 2          | 0205            | SCREW, HHC 3/8-16 X 1 PLATED            | 1           |                    |
| 3          | 06500-007       | SCREW, HHC 5/16-18x7/8                  | 1           |                    |
| 4          | 1876            | NUT, HEX FINISH 3/8-16                  | 1           |                    |
| 5          | 2574            | GROMMET, 5/16" ID 7/16" OD              | 1           |                    |
| 6          | 8133            | SCREW, PHP 10-32 X 3/4                  | 4           |                    |
| 7          | 10019           | NUT, NYLOC 10-32                        | 4           |                    |
| 8          | 12277           | CLAMP, HOSE WORM 1-9/16 TO 2 SIZE 32    | 4           |                    |
| 9          | 49048           | SCREW, HHFS 1/4-20 X 3/4 G5             | 8           |                    |
| 10%        | 19266           | NUT, BLIND 1/4-20 X 10 GA               | 8           |                    |
| 11         | 19297           | LIGHT, PETERSON MFG V438                | 1           |                    |
| 12         | 19968           | TERMINAL BLOCK ( DC 70014 )             | 2           |                    |
| 13         | 29071           | CONNECTOR, QUICK SCREW TERMINAL         | 4           |                    |
| 16         | 29603           | SWITCH, MOMENTARY                       | 1           |                    |
| 20         | 29655           | FITTING, STRAIN RELIEF HEYCO 3234       | 2           |                    |
| 21         | 29656           | LOCKNUT, NYLON                          | 2           |                    |
| 22         | 29712           | BOLT, CARRIAGE 1/4-20 X 3/4             | 8           |                    |
| 23         | 29796           | CLAMP, CUSHIONED LOOP, 1-3/4 DIA X1     | 1           |                    |
| 25         | W29109          | NUT, WING 3/8-16                        | 1           |                    |
| 28         | 49063           | HARNESS, LT12 50 HZ (AC), 115V          | 1           |                    |
| 29         | 49047           | WIRING KIT, SWITCH LT SA                | 1           |                    |
| 30         | 0948            | WASHER, FLAT SAE 1/4                    | 8           |                    |
| 31         | 10024           | NUT, NYLOC 1/4-20                       | 8           |                    |
| 32         | 5283            | NUT, NYLOC 5/16-18                      | 1           |                    |
| 33         | 29865           | SNAP SWITCH PLATE ASSY.....             | 1           | INCLUDES ITEMS W/% |
| 34%        | 29864           | SNAP FIT SWITCH INSERT                  | 1           |                    |
| 35%        | 29848           | CIRCUIT BREAKER, 2 POLE, 30A SNAP FIT   | 1           |                    |
| 36%        | 29847           | CIRCUIT BREAKER, 1 POLE, 15A SNAP FIT   | 5           |                    |
| 39         | 29798           | BALLAST AND CAPACITOR, 230V 50 HZ ..... | 4           | INCLUDES ITEMS W/@ |
| 41@        |                 | BALLAST CAPACITOR 30μF @440V            | 4           |                    |
| 42         | 29719           | SCREW HHC M5-.8 X 8MM PLATED, 8.8 DIN   | 8           |                    |
| 43         | 29795           | BRACKET, CONTROL PANEL                  | 2           |                    |
| 44         | 7245454         | CONTROL PANEL, LOMBARDINI               | 1           |                    |
| 45         | 50404900        | KEYS, IGNITION, DOUBLE-SIDED            | 2           |                    |
| 47         | 50384401        | IGNITION SWITCH                         | 1           |                    |
| 48         | GECAP35MF       | EXCITATION CAPACITOR 35μF @425V         | 1           |                    |

# FUEL TANK ASSY.



NOTES:

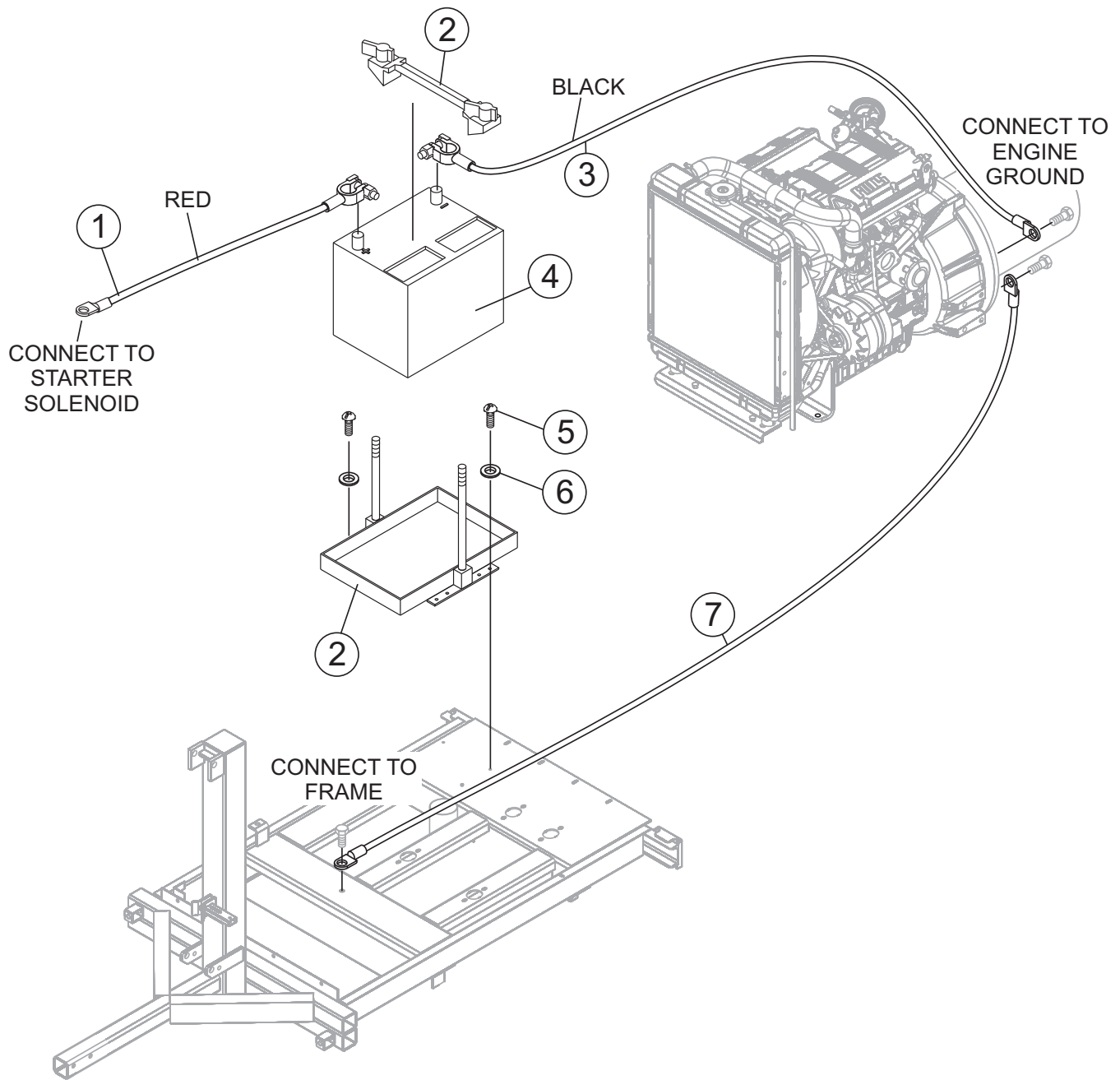
**A** CLAMP, ITEM 11 IS INCLUDED WITH FUEL TANK ASSY. ITEM 1.

## FUEL TANK ASSY.

---

| <u>NO.</u> | <u>PART NO.</u> | <u>PART NAME</u>                        | <u>QTY.</u> | <u>REMARKS</u>     |
|------------|-----------------|---|-------------|--------------------|
| 1          | 29676           | FUEL TANK ASSY.....                     | 1.....      | INCLUDES ITEMS W/# |
| 2#         | 29605           | FUEL TANK                               | 1           |                    |
| 3#         | 29694           | CAP, FUEL TANK W/LANYARD                | 1           |                    |
| 4          | 29992           | STRAP, FUEL TANK                        | 1           |                    |
| 5#         | 19633           | BUSHING, FUEL                           | 3           |                    |
| 6#         | 12006           | FITTING, 90°                            | 1           |                    |
| 7#         | 20795           | VALVE, SHUTOFF 4MBARB X 6SBARB SCREEN   | 1           |                    |
| 8#         | 19661           | VALVE, SHUTOFF 5BARB X 6SBARB NO SCREEN | 1           |                    |
| 9          | 13211           | WASHER, FLAT 1/2 USS                    | 2           |                    |
| 10         | 10176           | NUT, NYLOCK 1/2-13                      | 2           |                    |
| 11         | 22066           | CLAMP, STEPLESS EAR 3/16 HOSE #123      | 4           |                    |
| 12         | 60028           | HOSE, FUEL RETURN .312 ID SAE J30R7 AR  | 1PC = 1 FT. |                    |
| 13         | 60004           | HOSE, FUEL LINE .187 I.D. SAE J30R7 AR  | 1PC = 1 FT. |                    |

# BATTERY ASSY.

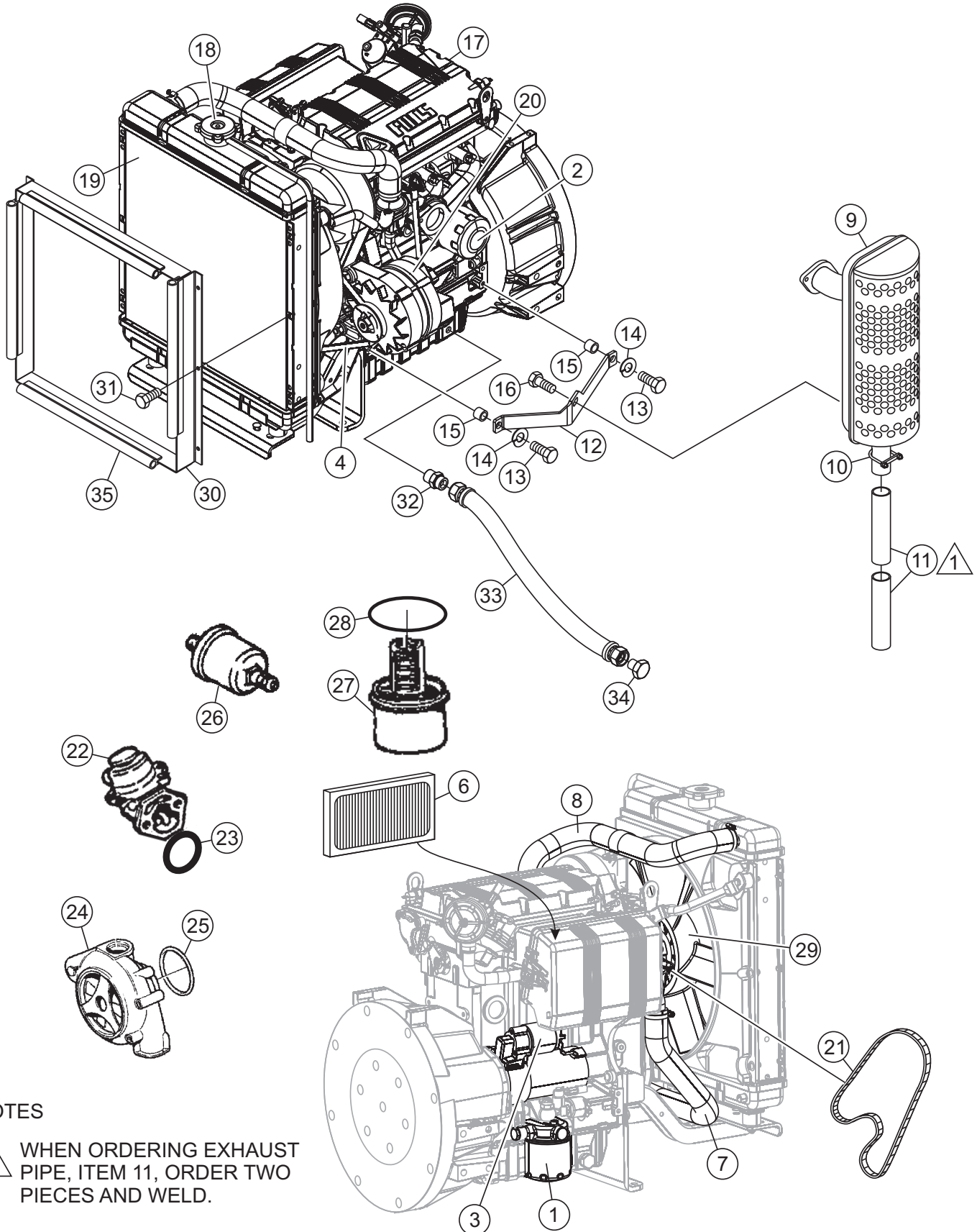


## BATTERY ASSY.

---

| <u>NO.</u> | <u>PART NO.</u> | <u>PART NAME</u>            | <u>QTY.</u> | <u>REMARKS</u> |
|------------|-----------------|-----------------------------|-------------|----------------|
| 1          | 19303           | CABLE, POS. BATTERY (+)     | 1           |                |
| 2          | 29661           | BATTERY TRAY                | 1           |                |
| 3          | 12278           | CABLE, NEG. BATTERY (-)     | 1           |                |
| 4          | 10315           | BATTERY, WET 12V GR22       | 1           |                |
| 5          | 1623            | SCREW, RHM #10-24 x .75 IN. | 4           |                |
| 6          | 2203            | WASHER, FLAT #10            | 4           |                |
| 7          | 1597            | CABLE, BATTERY              | 1           |                |

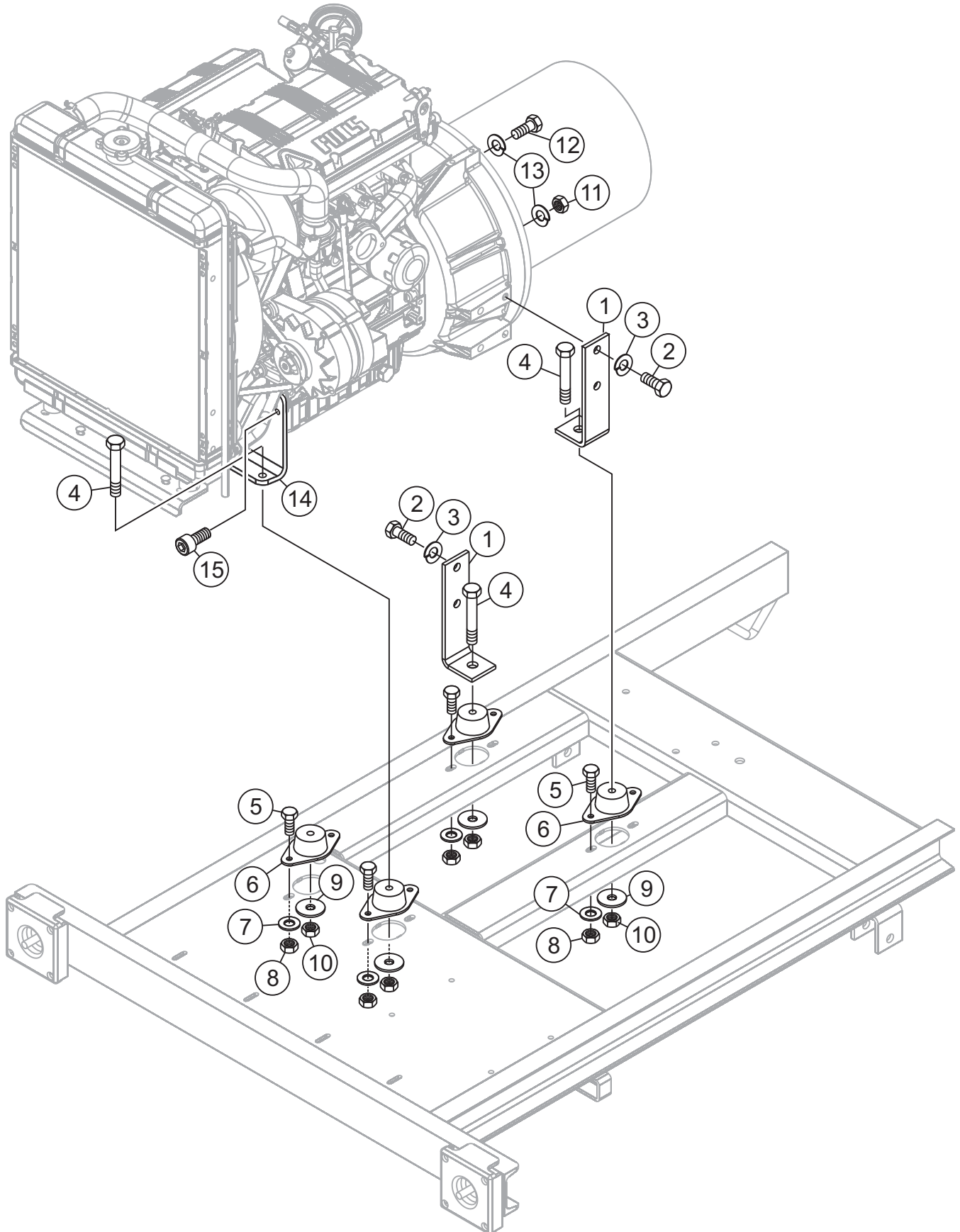
# ENGINE ASSY.



## ENGINE ASSY.

| <u>NO.</u> | <u>PART NO.</u> | <u>PART NAME</u>                         | <u>QTY.</u> | <u>REMARKS</u> |
|------------|-----------------|--|-------------|----------------|
| 1          | 12850347        | FUEL FILTER 2-3/4" L                     | 1           |                |
| 1          | 2175046         | FUEL FILTER 4-3/4" L                     | 1           |                |
| 1          | 2175143S        | FUEL FILTER W/WATER DRAIN                | 1           |                |
| 2          | 2175107         | OIL FILTER                               | 1           |                |
| 3          | 5840224         | STARTER                                  | 1           |                |
| 4          | 12850745        | FAN BELT 875MM                           | 1           |                |
| 6          | 12851312        | AIR FILTER                               | 1           |                |
| 7          | 12850362        | LOWER RADIATOR HOSE                      | 1           |                |
| 8          | 12850649        | UPPER RADIATOR HOSE                      | 1           |                |
| 9          | 5460450         | MUFFLER                                  | 1           |                |
| 10         | 10855           | CLAMP, 1-1/2 MUFFLER                     | 1           |                |
| 11         | 29645           | EXHAUST PIPE                             | 2           |                |
| 12         | 29937           | BRACE, LOWER MUFFLER                     | 1           |                |
| 13         | 21584           | BOLT M10-1.5P X 35MM                     | 2           |                |
| 14         | 0161 C          | WASHER, LOCK 5/16 MED                    | 2           |                |
| 15         | 29938           | SPACER, MUFFLER BRACKET, 3/8 X 3/4 X 5/8 | 2           |                |
| 16         | 2299            | BOLT, M8-1.25P X 16MM                    | 1           |                |
| 17         | 29644           | ENGINE, LOMBARDINI LDW1003               | 1           |                |
| 18         | 9000184         | RADIATOR CAP                             | 1           |                |
| 19         | 7350270         | RADIATOR                                 | 1           |                |
| 20         | 12850742        | ALTERNATOR                               | 1           |                |
| 21         | 2440338         | TIMING BELT                              | 1           |                |
| 22         | 6585097         | FUEL (FEED) PUMP                         | 1           |                |
| 23         | 1200087         | GASKET, FUEL (FEED) PUMP)                | 1           |                |
| 24         | 6584438         | WATER PUMP                               | 1           |                |
| 25         | 4580083         | GASKET, WATER PUMP                       | 1           |                |
| 26         | 6745056         | OIL SWITCH                               | 1           |                |
| 27         | 9195124         | THERMOSTAT                               | 1           |                |
| 28         | 12850153        | GASKET, THERMOSTAT                       | 1           |                |
| 29         | 12850551        | COOLING FAN                              | 1           |                |
| 30         | 29994           | SHROUD, LT12 RADIATOR                    | 1           |                |
| 31         | 12464           | SCREW, HHC M6-1.0 X 16MM                 | 6           |                |
| 32         | 367681          | FITTING, STR 8MJ - M18MO                 | 1           |                |
| 33         | 35017           | HOSE ASM, 19.9" #8LP w/ 370677           | 1           |                |
| 34         | 366030          | FITTING, PLUG 8MJ                        | 1           |                |
| 35         | 60124           | GASKET, SPONGE BULB (FT)                 | 5           |                |

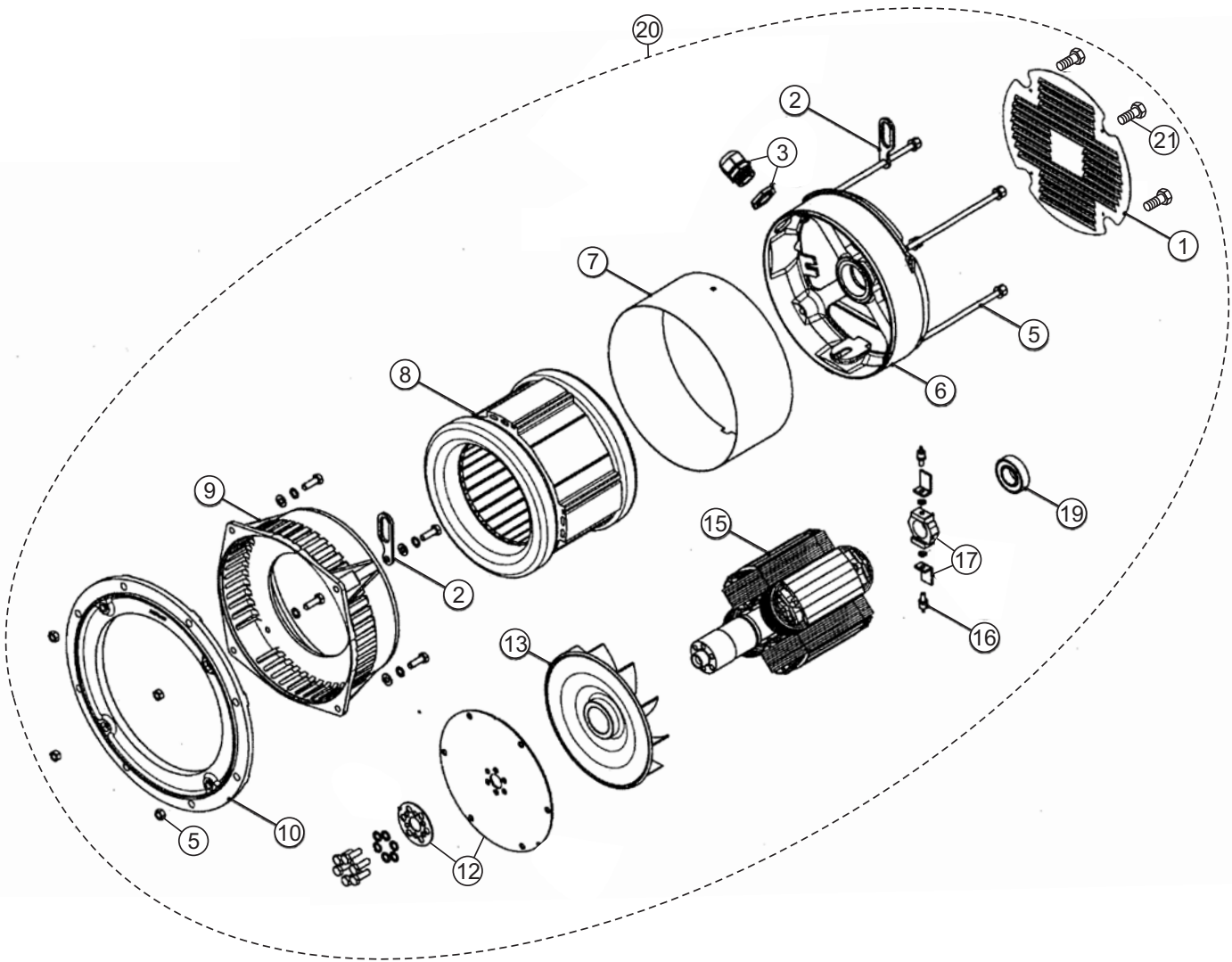
# GENERATOR/ENGINE MOUNTING ASSY.



## GENERATOR/ENGINE MOUNTING ASSY.

| <u>NO.</u> | <u>PART NO.</u> | <u>PART NAME</u>                    | <u>QTY.</u> | <u>REMARKS</u>     |
|------------|-----------------|-------------------------------------|-------------|--------------------|
| 1          | 49003           | MOUNT, REAR ENGINE                  | 2           |                    |
| 2          | 17099           | SCREW, HHC M12-1.75 X 20 ZN, DIN933 | 4           |                    |
| 3          | 5054 A          | WASHER, LOCK 1/2 MED                | 4           |                    |
| 4          | 8156            | SCREW, HHC 3/8-16 X 2 1/2           | 4           |                    |
| 5          | 0655            | SCREW, HHC 5/16-18 X 3/4            | 8           |                    |
| 6          | 29269           | MOUNT, VIBRATORY ENGINE             | 4           |                    |
| 7          | 19470           | WASHER, FLAT 5/16 USS               | 8           |                    |
| 8          | 5283            | NUT, NYLOC 5/16-18                  | 8           |                    |
| 9          | 29043-001       | WHEEL, POINTER .41IDx2.00OD C.SAW   | 4           |                    |
| 10         | 10133           | NUT, NYLOC 3/8-16                   | 4           |                    |
| 11         | 1456            | NUT, HEX FINISH 3/8-16              | 6           |                    |
| 12         | 1023            | SCREW, HHC 3/8-16 X 1 1/4 GR 5      | 8           |                    |
| 13         | 0166 A          | WASHER, LOCK, 3/8 MED.              | 14          |                    |
| 14         |                 | MOUNT, FRONT ENGINE.....            | 1           | SUPPLIED BY VENDOR |
| 15         |                 | SCREW .....                         | 2           | SUPPLIED BY VENDOR |

**GENERATOR ASSY.**

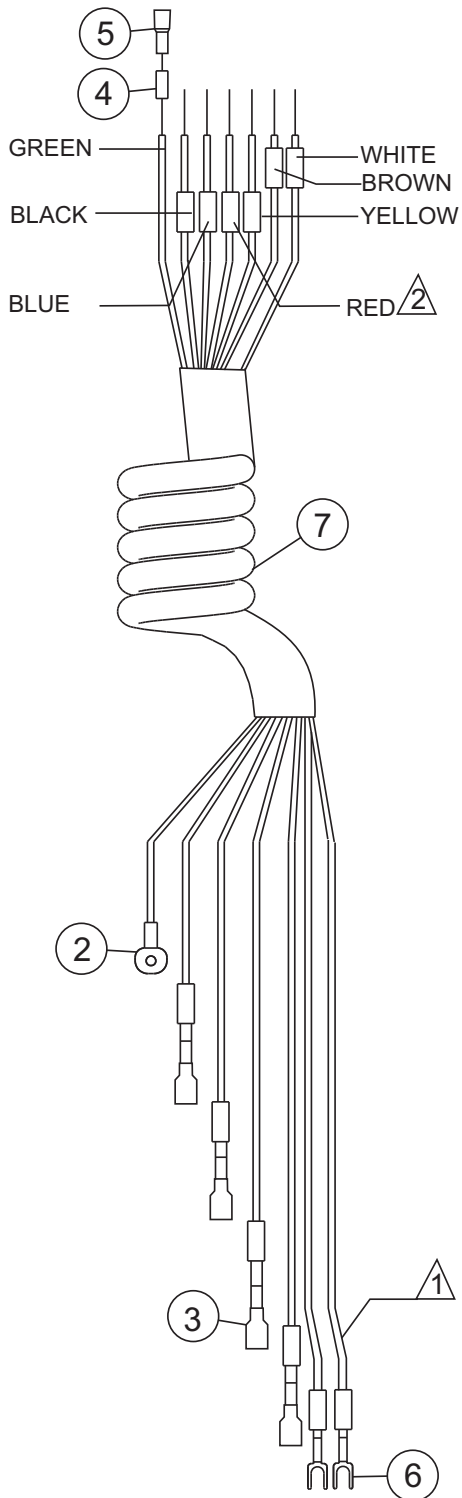


## GENERATOR ASSY.

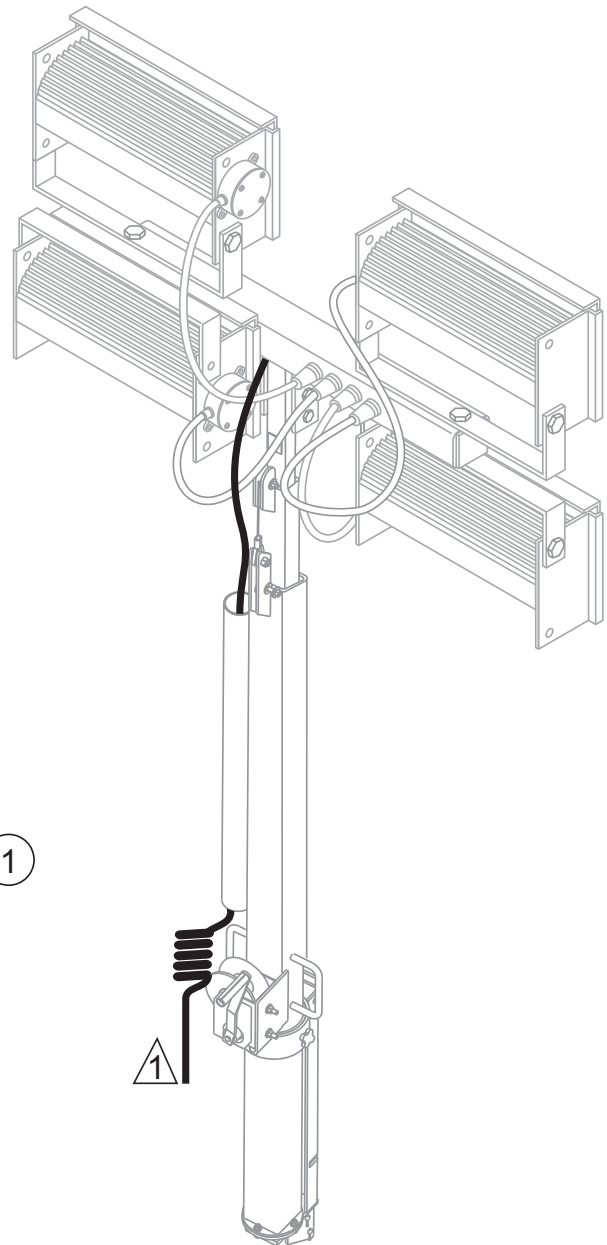
| <u>NO.</u> | <u>PART NO.</u>  | <u>PART NAME</u>                         | <u>QTY.</u> | <u>REMARKS</u>          |
|------------|------------------|--|-------------|-------------------------|
| 1%         | GELT3GRID        | REAR SEAL                                | 1           |                         |
| 2%         | GELT3LIFTHK      | LIFTING HOOK                             | 2           |                         |
| 3%         | GELT3CABLEGPG21  | PG21 CABLE GLAND AND NUT                 | 1           |                         |
| 5%         | GELT3CSBOLTS     | COVER STAY BOLT AND NUT                  | 4           |                         |
| 6%         | GELT3NDEBRACKET  | NON-DRIVE END BRACKET                    | 1           |                         |
| 7%         | GELT3110ENCBAND  | ENCLOSING BAND                           | 1           |                         |
| 8%         | GELT3110STATOR50 | WOUND STATOR AND FRAME                   | 1           |                         |
| 9%         | GELT3DEBRACKET   | DRIVE END BRACKET                        | 1           |                         |
| 10%        | 6102208193       | INTERCHANGEABLE FLANGE                   | 1           |                         |
| 12%        | GEECO3DISC65     | FLEXIBLE DISC AND RING SPACER            | 1           |                         |
| 13%        | GELT3FAN         | FAN                                      | 1           |                         |
| 15%        | GELT3110ROTOR50  | ROTOR ASSY                               | 1           |                         |
| 16%        | GEDIO160026      | DIODES                                   | 2           |                         |
| 17%        | GELT3DIOHSINK    | HEAT SINK/SUPPORT, ROTATING DIODE BRIDGE | 2           |                         |
| 19%        | GEBRG6205LL      | REAR BEARING 6205-2RS                    | 1           |                         |
| 20         | 49126            | GENERATOR LT3-110/4, 50 HZ.....          | 1           | .....INCLUDES ITEMS W/% |
| 21%        | 29895SCREW       | COVER SCREWS, SET OF 3                   | 1           |                         |

# COIL CORD ASSY.

CONNECT TO T-BAR ASSEMBLY



CONNECT TO BALLAST BOX OUTPUT



## NOTES:

- ① CONNECT THIS END OF COIL CORD ASSY. TO BALLAST BOX. REFERENCE ELECTRICAL SCHEMATIC DIAGRAM IN OPERATION MANUAL.
- ② CONNECT THIS END OF COIL CORD ASSY. TO T-BAR ASSY. REFERENCE ELECTRICAL SCHEMATIC DIAGRAM IN OPERATION MANUAL.

**COIL CORD ASSY.**

---

| <u>NO.</u> | <u>PART NO.</u> | <u>PART NAME</u>                 | <u>QTY.</u> | <u>REMARKS</u>     |
|------------|-----------------|----------------------------------|-------------|--------------------|
| 1          | 29433           | COIL CORD ASSY.....              | 1.....      | INCLUDES ITEMS W/# |
| 2#         | 3254            | TERMINAL, RING 16-14 3/8         | 1           |                    |
| 3#         | 11947           | TERMINAL, FEM 16-14 PUSH-ON, INS | 4           |                    |
| 4#         | 19687           | CRIMP, SLEEVE (30-410)           | 7           |                    |
| 5#         | 19688           | INSULATOR, SPLICE CAP (2007)     | 7           |                    |
| 6#         | 19957           | TERMINAL, SPADE 16-14, #10 INS   | 2           |                    |
| 7#         | 49030           | COIL CORD , 600V, 7-WIRE         | 1           |                    |