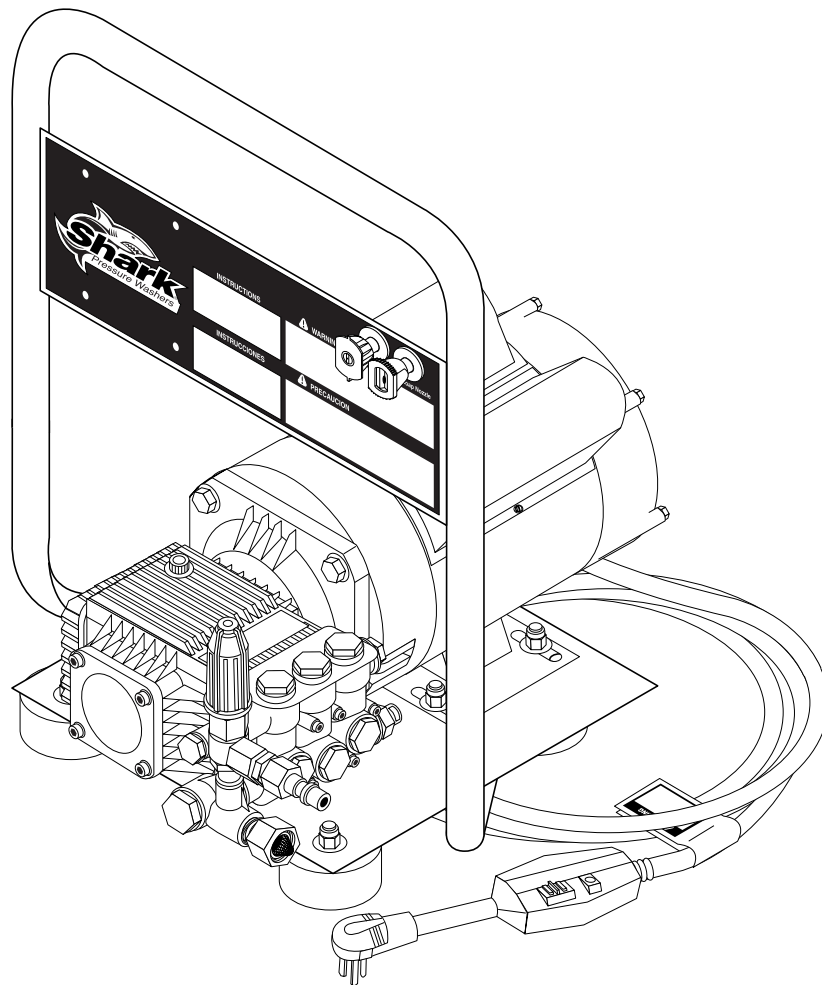




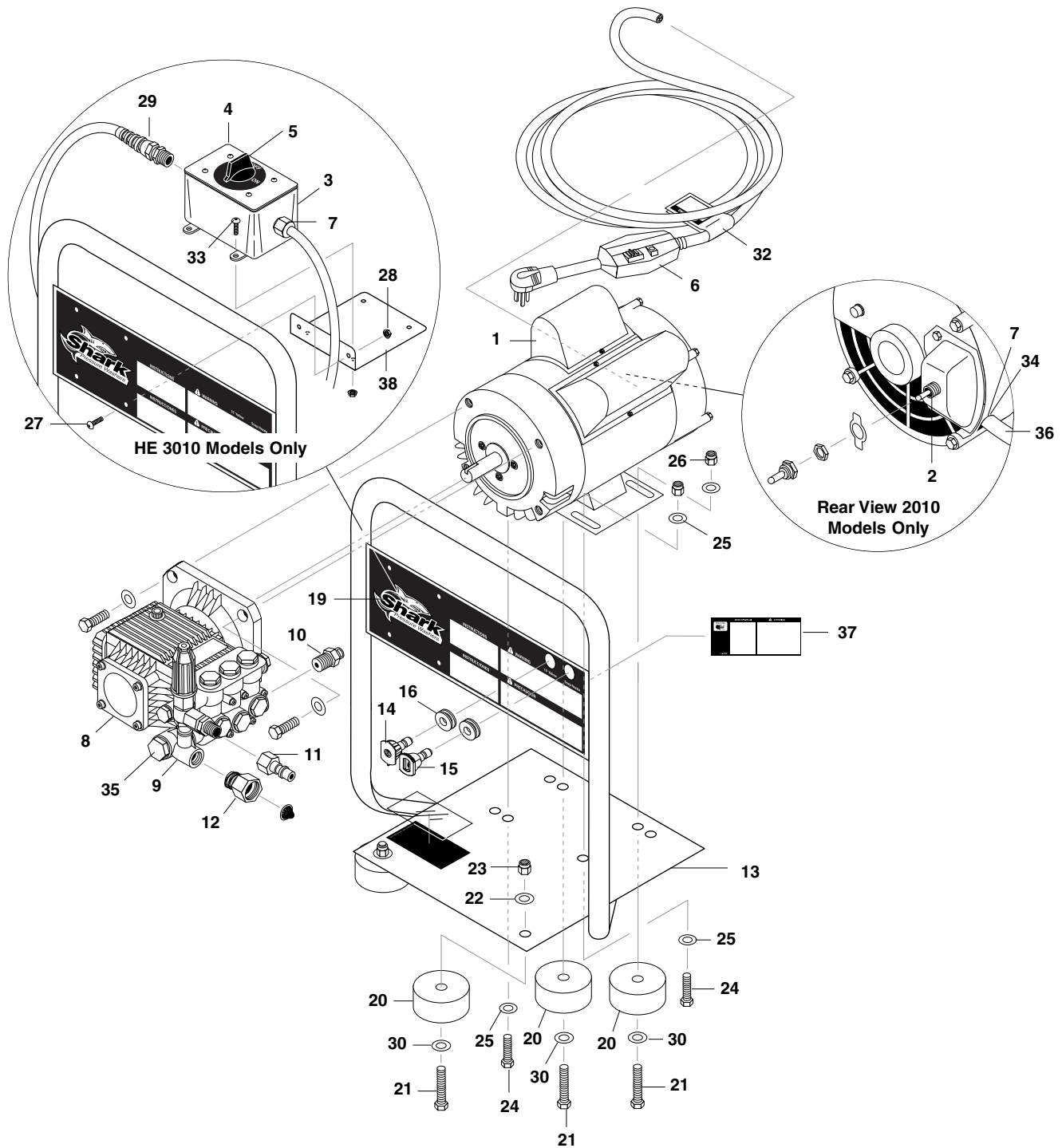
MODEL: HE

OPERATING INSTRUCTION AND PARTS MANUAL

■ HE-2010 ■ HE-2512 ■ HE-3010



EXPLODED VIEW

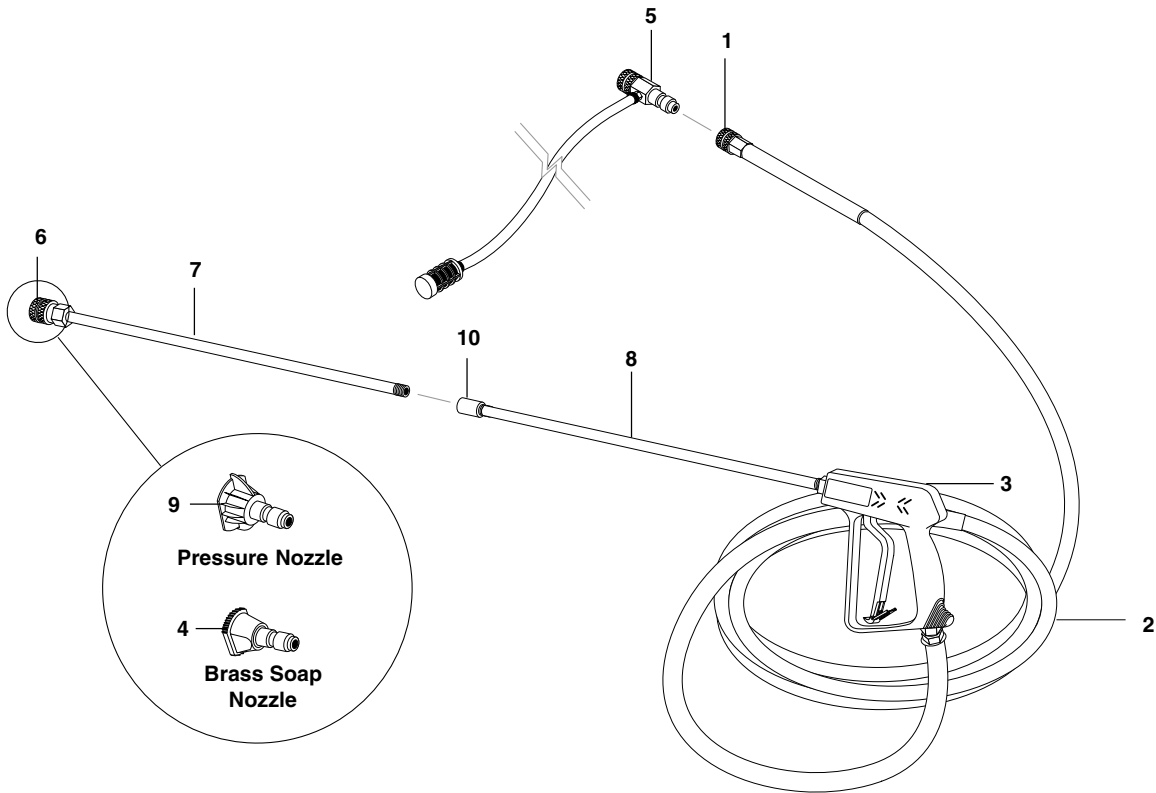


EXPLODED VIEW PARTS LIST

ITEM	PART #	DESCRIPTION	QTY	ITEM	PART #	DESCRIPTION	QTY
1	5-1046	Motor, 1.5 HP, 1 PH, 3450 RPM, C-Face (201001D, 201007D)	1	12	2-10943	Swivel, 3/8" MP x 3/4" GHF w/Strainer	1
	5-1047	Motor, 2 HP, 1 PH, 3450 RPM, (301001D, 301007D)	1	13	95-07200126	Handle Assy	1
	5-1050M	Motor, 2.5 HP 1 PH, 3450 RPM (251201D)	1	14	4-12804015	Nozzle, SAQCMEG 1504 Yellow (201001D, 201007D)	1
2	6-02049	Switch, Toggle, Assy (201001D, 201007D)	1		4-12806015	Nozzle, SAQCMEG 1506 Yellow (301001D, 301007D)	1
3	6-03910	Box, Plastic Carlon (301001D, 301007D, 251201D)	1		4-12804515	Nozzle, SAQCMEG 1504.5 Yellow (251201D)	1
4	6-03911	Lid, Plastic Carlon (301001D, 301007D, 251201D)	1	15	4-16540	Nozzle, Compl. QCEM-6540 w/Bik Nylon (Soap Nozzle)	1
5	6-020204	Switch, 2 Pos. 120V-600V (301001D, 301007D, 251201D)	1	16	2-0103	Grommet, Rubber, Nozzle Holder	2
6	6-01062	GFCI, 120V, 15 amp w/36' 12-3 Cord (201001D, 201007D)	1	19	11-0311	Label, Shark, HE Control	1
	6-01060	GFCI, 120V 20 amp w/36' 12-3 Cord (301001D, 301007D, 251201D)	1	20	2-01041	Pad, Soft Rubber, 50 Duro	4
7	6-05153	Strain Relief, STRT, LQ Tite Medium	2	21	90-1017	Bolt, 3/8" x 1-1/4" NC HH	4
8	5-23001	Pump, General TT9061 EF-B (201001D)	1	22	90-4002	Washer, 3/8" Flat SAE	4
	5-23010	Pump, General TT9071 EF-B (301001D)	1	23	90-2002	Nut, 3/8" ESNA, NC	4
	5-2301	Pump, General, TT 2035 GBF (251201D)	1	24	90-1006	Bolt, 5/16" x 3/4" NC	2
	5-1618	Pump, Legacy WMH-2521-F 2.1 @ 2500 (201007D)	1	25	90-4001	Washer, 5/16" Flat SAE	4
	5-1620	Pump, Legacy WMH-2230-F 3 @ 2200 (301007D)	1	26	90-2001	Nut, 5/16" ESNA, NC	4
9	5-3024	Unloader, General YVB135L	1	27	90-1040	Screw, 10/32" x 1/2" SCKT Cap	4
	5-3150	Unloader, APR.S 2300, 5.3 @ 2300 (201007D, 301007D)	1	28	90-017	Nut, 10/32" Keps	6
10	2-300816	Pump Protector, 3/8" PTP	1	29	6-05154	Strain Relief 90°	1
11	2-2006	Nipple, 3/8" x 3/8" NPT ST Fem	1		6-05181	▲ Locknut, 1/2" Conduit	1
				30	90-40125	Washer, 3/8" x 1", Steel	4
				32	10-08018	Label, Warning, Service Cord	1
				33	90-1991	Screw, 10/32" x 1/2"	6
				34	6-05181A	Locknut, 1/2", 8463	1
				35	2-1044	Plug, 1/8", Countersunk	1
				36	6-0104	Cord, Service, 50WA, 12/3	2 Ft.
				37	11-0350F	Label, French Warning	1
				38	95-07111117	Switch Box BRKT	1

▲ Not Shown

HOSE & SPRAY GUN ASSEMBLY

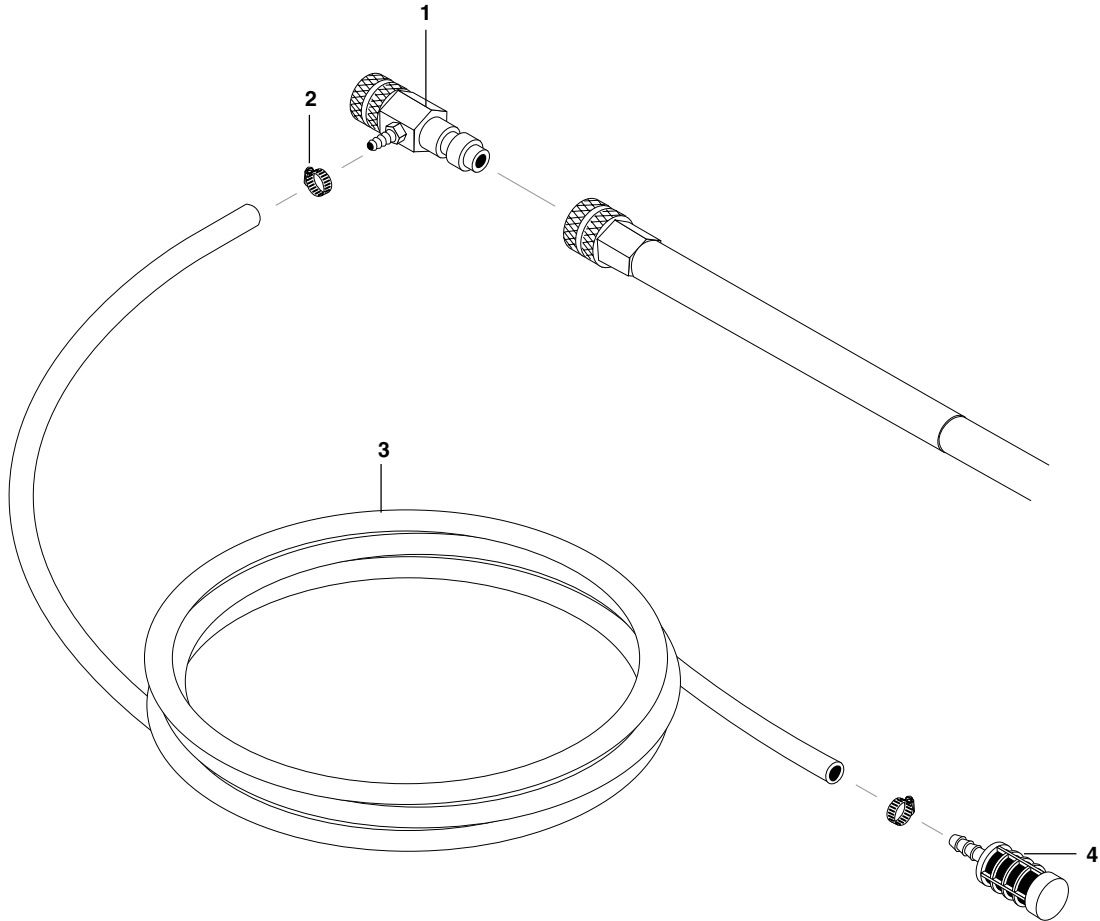


ITEM	PART NO.	DESCRIPTION	QTY
1	2-2002	Coupler, 3/8" Female	1
	2-0121	▲ Quick Coupler O-Ring, Large, 3/8"	1
2	4-02093450BC	Hose w/ Coupler, 50' x 3/8" 100R1, 3000 PSI	1
3	4-01246	Spray Gun, Shut-off, AP-1000	1
4	4-16540	Nozzle Compl, QLEM-6540 w/Blk Nylon	1
5	4-0111831	Detergent Injector Assembly, 1-2 GPM, 0.57 #1 (21001D, 201007D)	1
	4-011184	Detergent Injector Assembly, 3-5 GPM, 0.83 (301001D, 301007D)	1

ITEM	PART NO.	DESCRIPTION	QTY
5	4-011183	Detergent Injector Assy, 2-3 GPM, 0.70 (251201D)	1
6	2-2000	Coupler, 1/4" Female	1
	2-0119	▲ Quick Coupler O-Ring, Small, 1/4"	1
7	4-0110531	Wand, 15.5" Half w/Coupler, Nozzle Side	1
8	4-0110532	Wand, 15.5" Half, Gun Side	1
9		Nozzles, See Breakdown Pgs. 9 & 10	
10	2-1014	Coupling, 1/4" Hex	1

▲ Not Shown

DOWNSTREAM INJECTOR ASSEMBLY



ITEM	PART NO.	DESCRIPTION	QTY
1	4-0111831	Detergent Injector Assembly, 1-2 GPM, 0.57 #1 (2010)	1
	4-011184	Detergent Injector Assembly, 3-5 GPM, 0.83 (3010)	1
	4-011183	Detergent Injector Assembly, 2-3 GPM, 0.70 (2512)	1

ITEM	PART NO.	DESCRIPTION	QTY
2	2-9000	Clamp, Screw, #4	2
3	4-02080000	Tube, 1/4" x 1/2", Clear Vinyl	/ft.6
4	2-1904	Strainer, 1/4", Hose Barb	1