



WATER PUMP BREAKDOWN

WP-4013HR



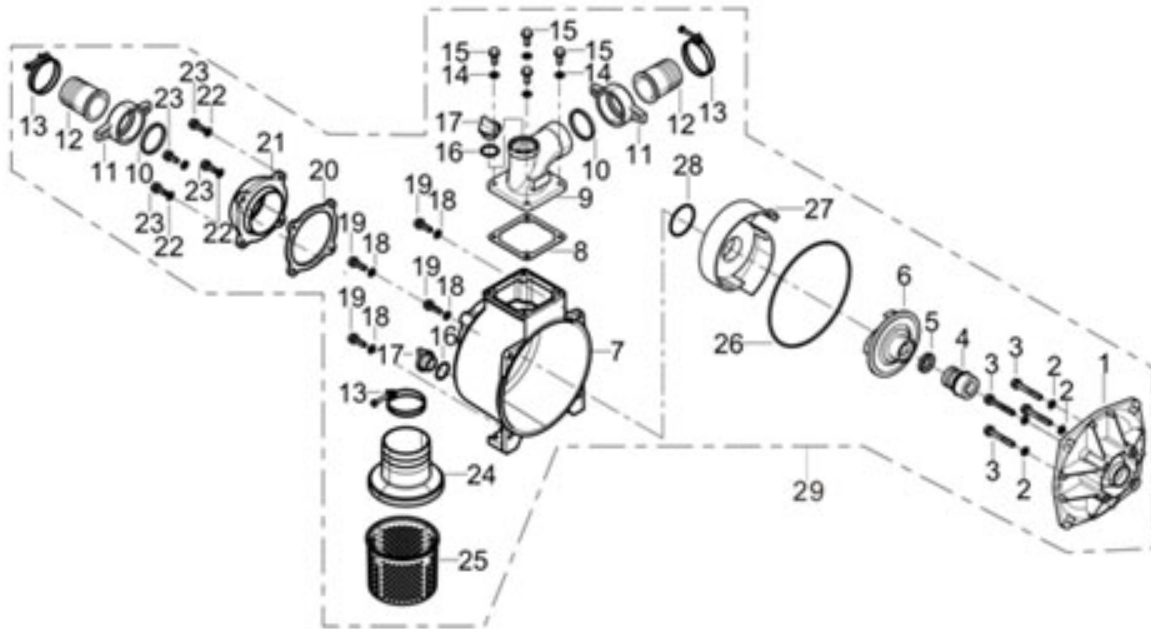
REF #	DESCRIPTION	QTY	PARTS
N/A	Honda GX390 Engine	1	Contact Local Honda Dealer



WATER PUMP BREAKDOWN

WP-4013HR

WATER PUMP ASSEMBLY



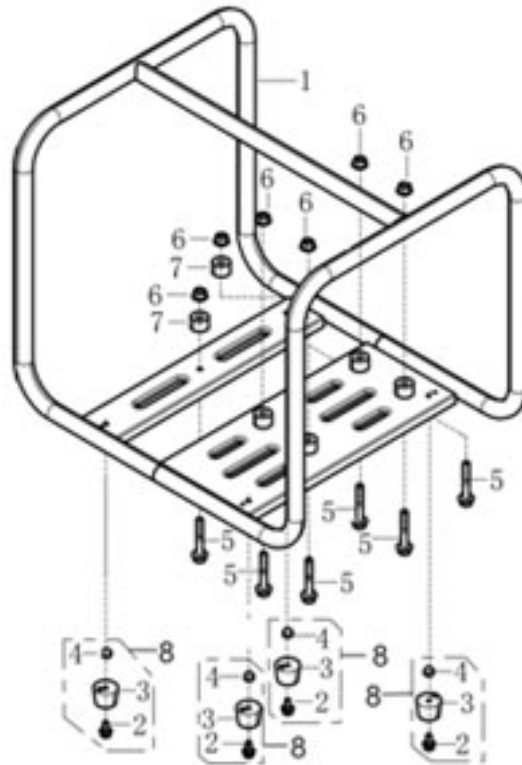
REF #	DESCRIPTION	QTY	BE PART #
1	Water Pump Joint	1	85.571.158
4	Mechanism Seal Assy	1	85.571.150
5	Porcelain Seal	1	
8	Outlet Gasket	1	
20	Inlet Water Gasket	1	
26	Water Pump Joint Cushion	1	
28	Whorl Case Sealing Ring	1	
9	Water Outlet	1	
21	Water Inlet	1	85.571.154
6	Water Pump Impeller	1	85.571.156
7	Pump Body	1	85.571.152
16	Screw Plug Washer	2	
17	Thread Plug	2	85.571.155
25	Filter (Strainer)	1	85.571.157
27	Whorl Case	1	



WATER PUMP BREAKDOWN

WP-4013HR

FRAME ASSEMBLY



REF #	DESCRIPTION	QTY	BE PART #
2	Bolt	4	50.002.205
3	Engine Frame Shock Absorption Seat	4	
4	Core Nut	4	