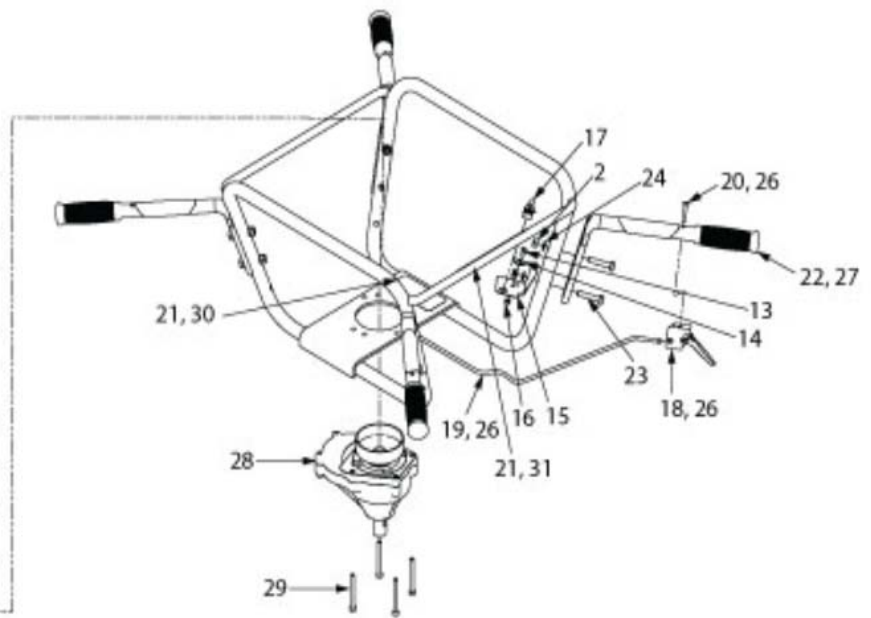
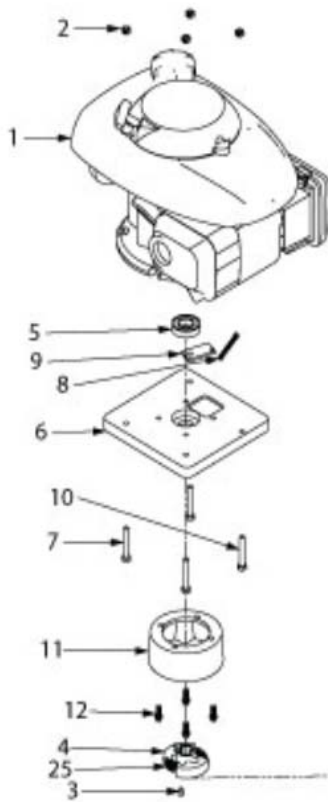


9800H™ EARTH AUGER POWERHEAD WITH HONDA® ENGINE

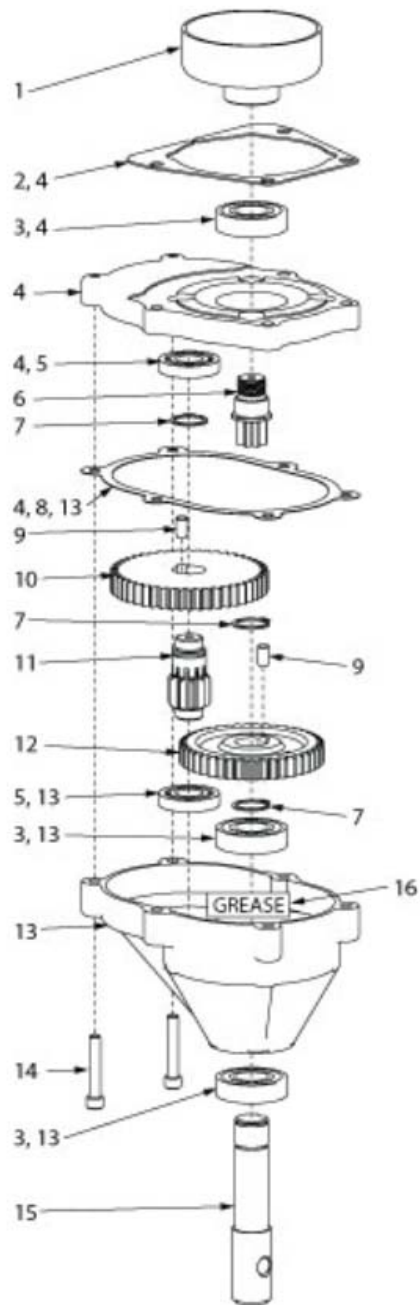
(SERIES # 030358, MODEL YEAR 2017)

HANDLEBAR ASSEMBLY



Key No.	Part No.	Description
2	60G56	60G56 NUT 5/16-18 IN HLKBW GR5 ZN
3	WK6	WK6 KEY WOODRUFF 5/32 X 5/8 IN ZN
4	9825	9825 ROTOR CENTRIFUGAL CLUTCH COMPLETE
5	9822	9822 BEARING R14-2RS RADIAL BALL DOUBLE SEAL
6	9840	9840 PLATE ADAPTER 9800H MOUNT RING
7	1423	1423 BOLT 5/16-18X2 IN HHCS GR5 ZN P-T
8	9832	9832 SPRING EXT 0.24 ID X 3.9L X 0.045 IN SS
9	53664	53664 TAB THROTTLE RETURN 9800H
10	48300	48300 BOLT 5/16-18X2-1/4 IN HHCS GR5 ZN P-T
11	9837A	9837A MOUNT RING COMPLETE 9800
12	420	420 BOLT 5/16-24 X 3/4IN 12PTF GR2 BLKZN F-T
13	IB5810	IB5810 BOLT M5X0.8X10 MM HH GR8.8 ZN
14	53596A	53596A CLAMP CABLE YELLOW ZINC
15	9841	9841 BRACKET THROTTLE CABLE CLAMP BOLT ON
16	IN58	IN58 NUT M5 X 0.8 X 5 MM HNYLK GR5 ZN
17	60G70	60G70 SWITCH TOGGLE 1/2 IN THREAD 1/4 IN TERM
18	4819	4819 ASSEMBLY TRIGGER LONG THROW
19	9805A	9805A THROTTLE CONTROL CABLE 9800 TEC
20	4814	4814 BOLT 10-24X1-1/4 IN PTHMS GR5 ZN F-T
21	9819	9819 HANDLEBAR FRAME WELDMENT 9800B
22	9827	9827 HANDLE W/THROTTLE HOLE & 9211 GRIP 9800B
23	503	503 BOLT 5/16-18 X 1-1/2 HH GR5 ZN F-T
24	504	504 WASHER 5/16X0.583X0.078 IN SPRLK ZN
25	9020A	9020A SPRING CENTRIFUGAL CLUTCH
26	9806	9806 KIT THROTTLE AND CABLE 9800H
27	9211	9211 HANDLE GRIP 7/8 IN ID FLANGELESS
28	98005	98005 KIT TRANSMISSION 30:1 9800H
29	8935	8935 BOLT 1/4-20X2-1/2 IN SHCS GR5 BLK OX
30	19139	19139 DECAL WARN LG AUGER EN FR 100X45
31	19140	19140 DECAL WARN LG THIS SIDE UP EN FR 164X14

TRANSMISSION ASSEMBLY



17

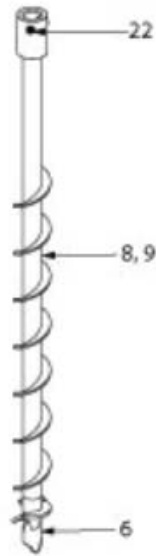
30495
MANUAL BAG

18

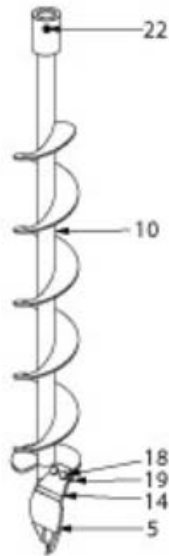
21922
PARTS BAG

Key No.	Part No.	Description
1	9016	9016 CLUTCH DRUM 3 INCH THREADED
2	3004149	3004149 SHIM 9800 TRANSMISSION TOP
3	8922	8922 BEARING BALL R12 DOUBLE LIP SEALED 3/4
4	75300	75300 KIT TOP CASTING TRANSMISSION 5/8 IN R10
5	8923	8923 BEARING BALL R10 OPEN 5/8 IN ID
6	9814	9814 GEAR PINION 7T 20PA 5/8-18 RH THREADED
7	8924	8924 RING RETAINING EXTERNAL 3/4 INCH
8	8919	8919 GASKET POWERHEAD TRANSMISSION
9	8915	8915 DOWEL PIN STEEL 1/4 IN X 1/2 IN
10	8914	8914 GEAR 48T 14 T/IN 20° PA 3/4 ID HARD
11	9214A	9214A PINION 10T 14 T/IN 20° PA 3/4 OD
12	8912	8912 GEAR 44T 14 T/IN 20° PA 3/4 IN ID
13	75600	75600 KIT LOWER CASTING E43 M43 9800 Z51 Z71 E
14	8929	8929 BOLT 1/4-20 X 1-1/2 SHCS GR8 BLK ZN F-T
15	8913	8913 SHAFT OUTPUT 7/8 IN
16	11468	11468 GREASE EP-2 LITHIUM MOLY 1/2 POUND
17	30495	30495 ASSY MANUAL BAG 9800H CN 30358
18	21922	21922 PARTS BAG HARDWARE 9800 SERIES

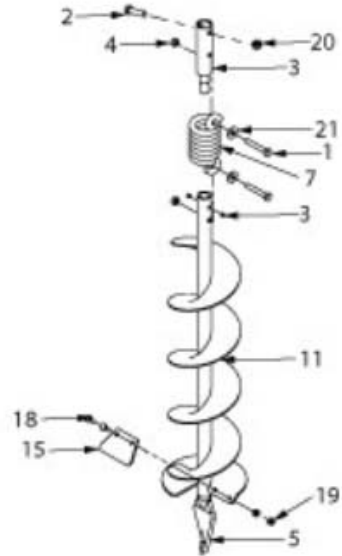
AUGER ASSEMBLY



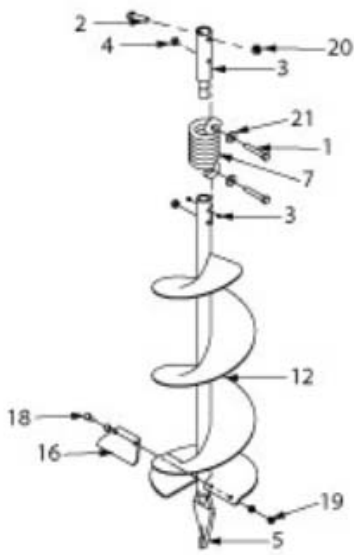
Optional Accessory:
EA2F, EA3F



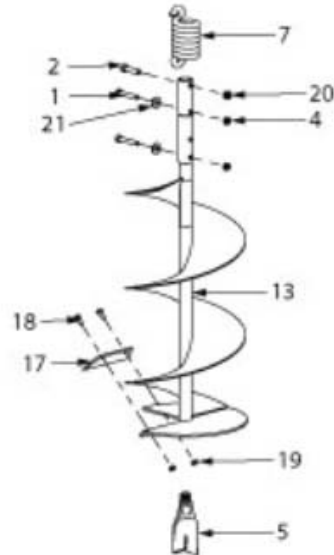
Optional Accessory:
EA4F



Optional Accessory:
EA6F



Optional Accessory:
EA8F



Optional Accessory:
EA10F



Optional Accessory:
EXT12, EXT18

Key No.	Part No.	Description
1	1423	1423 BOLT 5/16-18X2 IN HHCS GR5 ZN P-T
2	1433	1433 BOLT 3/8-16X1-1/2 IN HHCS GR5 ZN P-T
3	22142	22142 KIT SHOCK TOP AND SET SCREWS
4	60G56	60G56 NUT 5/16-18 IN HLKBW GR5 ZN
5	8958HD	8958HD FISHTAIL POINT 3/4-10 UNC RED
6	8970	8970 POINT EARTH 2 INCH AND 3 INCH AUGERS
7	8980	8980 SHOCK SPRING EARTH
8	EA2F	EA2F EARTH AUGER 2 INCH REPL FT RH RED
9	EA3F	EA3F EARTH AUGER 3 INCH REPL FT RH RED
10	EA4F	EA4F EARTH AUGER 4 INCH REPL FT RH RED
11	EA6F	EA6F EARTH AUGER 6 INCH REPL FT RH RED
12	EA8F	EA8F EARTH AUGER 8 INCH REPL FT RH RED
13	EA10F	EA10F EARTH AUGER 10 INCH REPL FT RH RED
14	EB4	EB4 EARTH BLADE 4 IN W/HARDWARE
15	EB6	EB6 EARTH BLADE 6 IN W/HARDWARE
17	EB10	EB10 EARTH BLADE 10 IN WITH HARDWARE
18	EBOLT	EBOLT BOLT 1/4-28X5/8 IN HH GR5 ZN F-T
19	ENUT	ENUT NUT 1/4-28X7/32 IN HBW GR5 ZN
20	2104	2104 NUT 3/8-16 IN HLKBW GR5 ZN
21	WF516	WF516 WASHER 5/16X7/8X5/64 IN GR8 ZN
22	8955	8955 BOLT 3/8-16 X 1-1/4 SHCS GR8 BLK ZN F-T
23	EXT12	EXT12 EXTENSION DEPTH 12 IN 7/8 CONNECTION
24	EXT18	EXT18 EXTENSION DEPTH 18 IN 7/8 CONNECTION
25	EB8HD	EB8HD EARTH BLADE 8 IN HEAVY DUTY W/HARDWARE
26	EB10HD	EB10HD EARTH BLADE 10 IN HEAVY DUTY W/HARDWARE