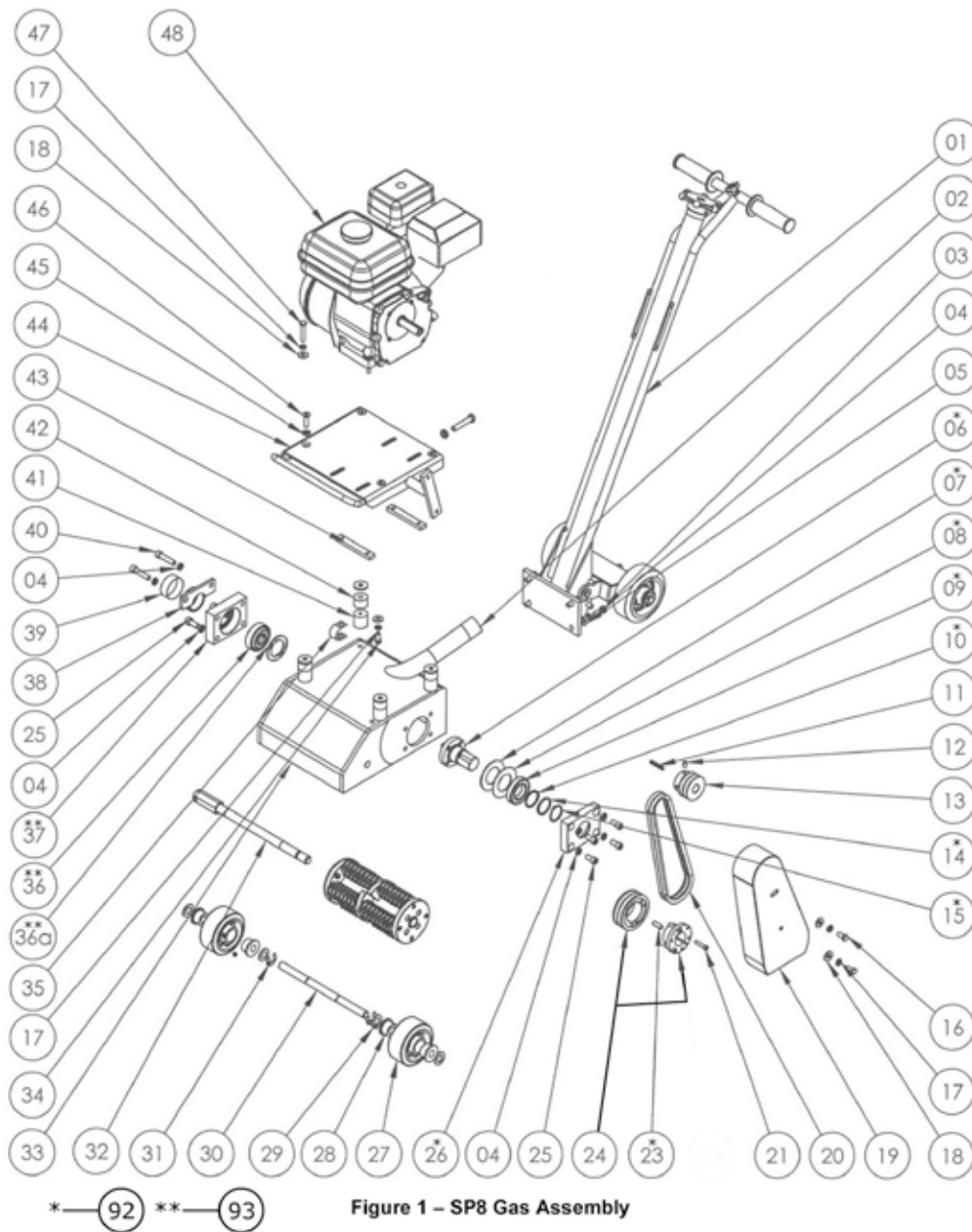


SP8 GAS ASSEMBLY



Part 36, 36a & 37 = 30266 End Flange Assembly

SURFACE PREPARATION SYSTEM OWNER'S MANUAL & PARTS BOOK

SP8 Gas Assembly

ITEM NO	PART NO	DESCRIPTION (SP8 GAS ASSEMBLY)	QTY	REMARK
01	30290	SPS HANDLE ASSM	1	06-23-2004
02	50444	EXHAUST CAP	1	
03	30284	SHCS, M10-1.5x25MM	6	06-23-2004
04	11621	LOCKWASHER, M10	12	06-23-2004
05	30282	SHCS M10-1.5 x 20mm	4	06-23-2004
06	30213	DRIVE SPINDLE (PART OF ITEM 92)	1	06-23-2004
07	30245	BEARING COVER PLATE (PART OF ITEM 92)	1	06-23-2004
08	50544	FELT WASHER LARGE (PART OF ITEM 92)	1	
09	50004	BEARING (PART OF ITEM 92)	1	
10	50545	FELT WASHER SMALL (PART OF ITEM 92)	1	
11	10208	KEY - 3/16" SQ x 1-1/2"	1	
12	30280	SHSS, M8-1.25x10MM	2	06-23-2004
13	30212	PULLEY - DRIVE	1	06-23-2004
14	50546	RING SPACER (PART OF ITEM 92)	1	06-23-2004
15	50012	SNAP RING (PART OF ITEM 92)	1	
16	11747	HHCS, M8-1.25x16MM	2	
17	11614	LOCKWASHER, M8	10	
18	11667	WASHER, M8	6	
19	50522	BELT GUARD	1	
20	31222	BELT – 10X660Li	2	
	50523	BELT – 3VX280	2	04-24-2011
21	30281	HHCS, M6-1.0x25MM	3	06-23-2004
23	30218	KEY - 8MM SQ x 30MM (PART OF ITEM 92)	1	06-23-2004
24	30214	PULLEY - DRIVEN	1	06-23-2004
25	30282	SHCS, M10-1.5x20MM	6	06-23-2004
26	30292	DRIVE FLANGE (PART OF ITEM 92)	1	06-23-2004
27	50357	FRONT WHEEL - 4" DIA.	2	
28	50510	WHEEL BUSHING	4	
29	50351	WASHER, 5/8"	4	
30	50348	FRONT AXLE	1	
31	50350	SNAP RING - 5/8" EXT.	2	
32	30216	HEX DRIVE SHAFT	1	06-23-2004
33	30204	HOUSING	1	06-23-2004
34	31106	SHCS, M8-1.25 x 20	4	06-23-2004
35	50537	GROUND STRAP	1	
36	50482	BEARING, HEX ID (PART OF ITEM 93)	1	06-23-2004
36a	50485	FELT WASHER (PART OF ITEM 93)	1	
37	30293	END CAP FLANGE (PART OF ITEM 93) ASSM	1	06-23-2004
38	50611	SHAFT GUARD	1	
39	50615	END CAP	1	
40	30285	SHCS, M10-1.5 x 45MM	2	06-23-2004
41	30286	RUBBER MOUNT	4	06-23-2004
42	30287	SPACER	4	06-23-2004
43	30207	SLIDER NUT	2	06-23-2004
44	30206	MOUNTING PLATE	1	
45	50530	LOCKWASHER, 5/16", EXT. C'SUNK	4	
46	30291	FHSCS, M8-1.25 x 40MM	4	06-23-2004
47	10452	HHCS, M8-1.25 x 40MM	4	06-23-2004
48	21333	ENGINE, HONDA GX160	1	
49	30218	Key 8m x 8mm x 30mm	1	
92	30250	DRIVE FLANGE ASSM (ITEMS 6, 7, 8, 9, 10, 14, 15, 23, 26)	1	06-23-2004
93	30266	END FLANGE ASSM (ITEMS 36, 36a, 27)	1	06-23-2004

SP8 Electric Assembly

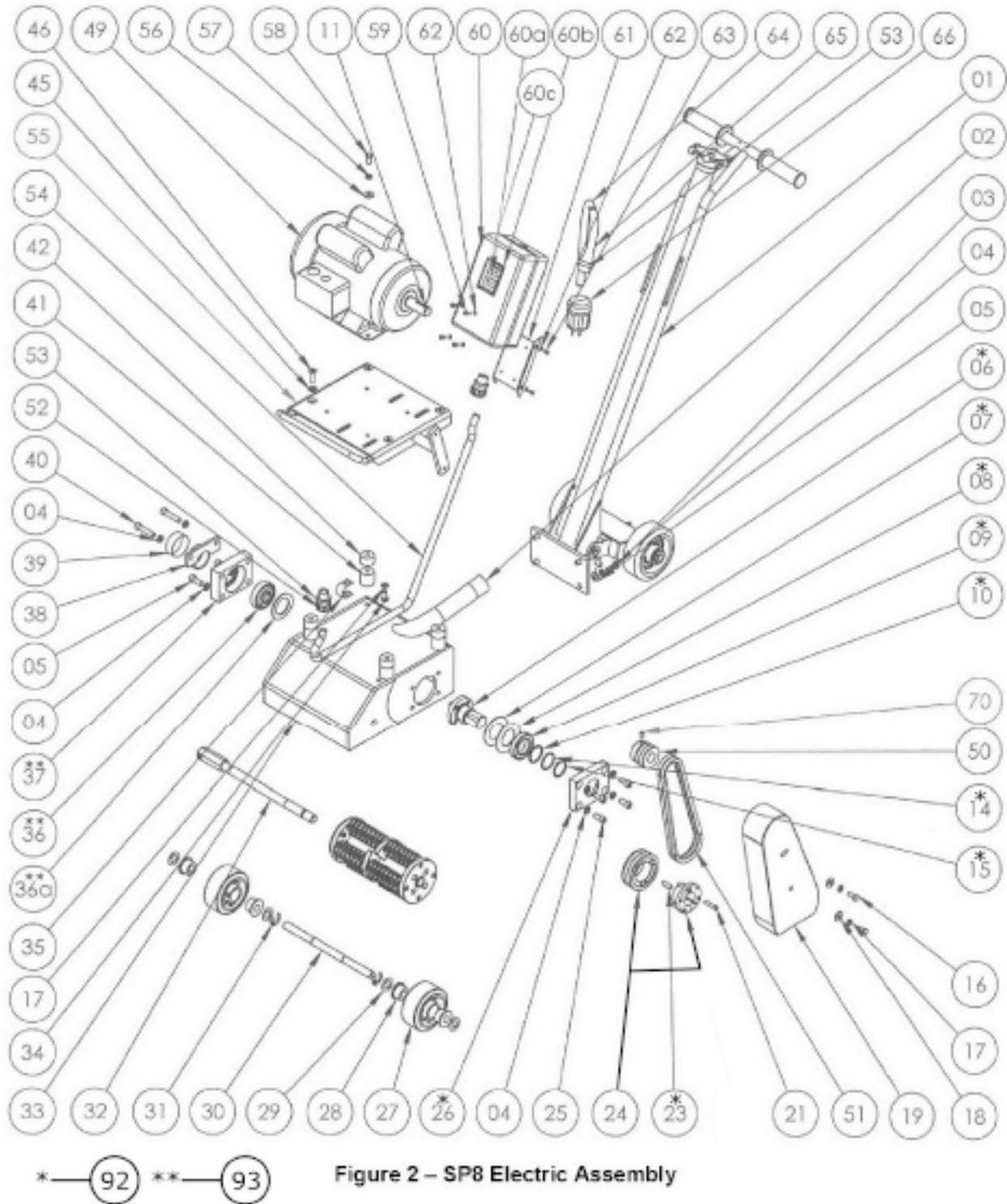


Figure 2 – SP8 Electric Assembly

SURFACE PREPARATION SYSTEM OWNER'S MANUAL & PARTS BOOK

SP8 Electric Assembly

ITEM NO	PART NO	DESCRIPTION (SP8 ELECTRIC ASSEMBLY)	QTY	REMARK
01	30290	SPS HANDLE ASSM	1	06-23-2004
02	50444	EXHAUST CAP	1	
03	30284	SHCS, M10-1.5x25MM	6	06-23-2004
04	11621	LOCKWASHER, M10	12	06-23-2004
05	30289	WASHER, M10	4	06-23-2004
06	30213	DRIVE SPINDLE (PART OF ITEM 92)	1	06-23-2004
07	50093	BEARING COVER PLATE (PART OF ITEM 92)	1	
08	50544	FELT WASHER LARGE (PART OF ITEM 92)	1	
09	50004	BEARING (PART OF ITEM 92)	1	
10	50545	FELT WASHER SMALL (PART OF ITEM 92)	1	
11	10208	KEY - 3/16" SQ x 1-1/2"	1	
14	50546	RING SPACER (PART OF ITEM 92)	1	
15	50012	SNAP RING (PART OF ITEM 92)	1	
16	11747	HHCS, M8-1.25x16MM	2	06-23-2004
17	11614	LOCKWASHER, M8	10	06-23-2004
18	11667	WASHER, M8	6	06-23-2004
19	50522	BELT GUARD	1	
21	30281	HHCS, M6-1.0x25MM	3	06-23-2004
23	30218	KEY - 8MM SQ x 30MM (PART OF ITEM 92)	1	06-23-2004
24	30214	PULLEY - DRIVEN	1	06-23-2004
25	30282	SHCS, M10-1.5x20MM	4	06-23-2004
26	30292	DRIVE FLANGE (PART OF ITEM 92)	1	06-23-2004
27	50357	FRONT WHEEL - 4" DIA.	2	
28	50510	WHEEL BUSHING	4	
29	50351	WASHER, 5/8"	4	
30	50348	FRONT AXLE	1	
31	50350	SNAP RING - 5/8" EXT.	2	
32	30216	HEX DRIVE SHAFT	1	06-23-2004
33	30204	HOUSING	1	06-23-2004
34	31106	SHCS, M8-1.25 x 20	4	06-23-2004
35	50537	GROUND STRAP	1	
36	50482	BEARING, HEX ID (PART OF ITEM 93)	1	06-23-2004
36a	50485	FELT WASHER (PART OF ITEM 93)	1	
37	30293	END CAP FLANGE (PART OF ITEM 93)	1	06-23-2004
38	50611	SHAFT GUARD	1	
39	50615	END CAP	1	
40	30285	SHCS, M10-1.5 x 45MM	2	06-23-2004
41	30286	RUBBER MOUNT	4	06-23-2004
42	30287	SPACER	4	06-23-2004
45	50530	LOCKWASHER, 5/16", EXT. C'SUNK	4	
46	30291	FHSCS, M8-1.25 x 40MM	4	06-23-2004
49	50496	MOTOR - 2HP	1	
	50559	MOTOR - 3HP		

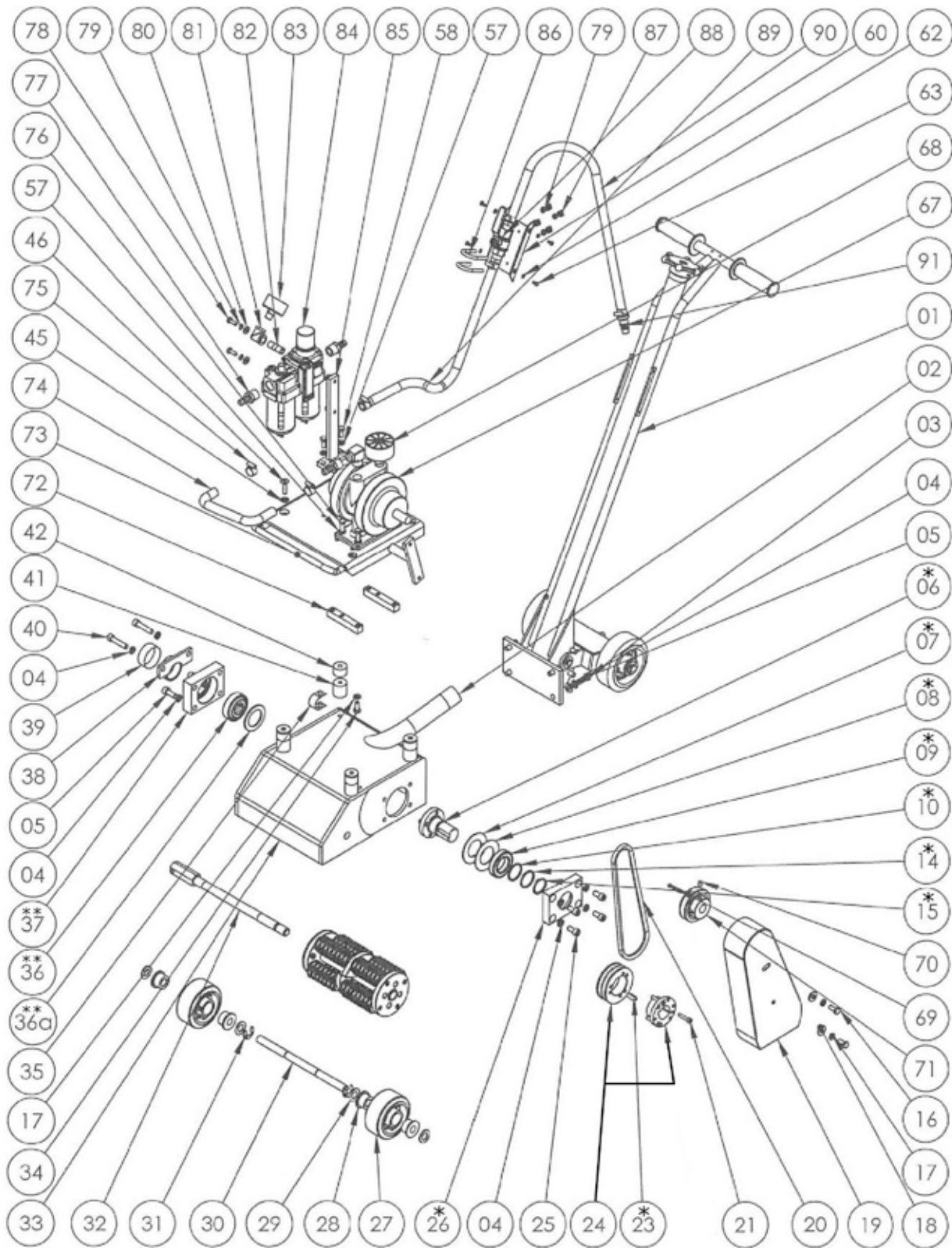
SURFACE PREPARATION SYSTEM OWNER'S MANUAL & PARTS BOOK

SP8 Electric Assembly (Con't)

ITEM NO	PART NO	DESCRIPTION (SP8 ELECTRIC ASSEMBLY, CON'T))	QTY	REMARK
50	50616	PULLEY – DRIVE (3HP)	1	
	50617	PULLEY – DRIVE (2HP)	1	
51	50524	BELT - 3VX265	2	
52	50085	STRAIN RELIEF	2	
53	50101	STRAIN RELIEF NUT	2	
54	50091	MOTOR CABLE - 51"	1	
55	30233	MOUNTING PLATE	1	
56	10919	WASHER, 5/16"	4	
57	10402	LOCKWASHER, 5/16"	4	
58	30142	HHCS, 5/16-18UNC x 3/4" LG	4	
59	50106	RHMS, #8-32 x 1/4"LG	4	
60	50090	STARTER BOX - 110V (2HP)	1	
	50187	STARTER BOX - 230V (3HP)		
	50764	STARTER BOX – 230V (3HP)		* 03-08-2011
60a	50760	MOTOR STARTER – 230V (3HP) (FOR 50764)	1	* 03-08-2011
60b	50762	SEALING KIT (FOR 50764)	1	* 03-08-2011
60c	50761	ENCLOSURE – 230V (3HP) (FOR 50764)	1	* 03-08-2011
61	50105	SWITCH PLATE	1	
62	50107	LOCKWASHER, INT. #8	8	
63	11035	PHMS, M4-0.7 x 10MM LG	4	06-28-2011
64	50092	MOTOR CABLE – 24"	1	
66	50087	PLUG – 220V (2HP)	1	
	50502	PLUG – 110V (2HP)		
	50592	PLUG – 220V (3HP)		
70	50117	SHSS,5/16"-18UNCx1/2"LG	2	
92	30250	DRIVE FLANGE ASSM (ITEMS 6, 7, 8, 9, 10, 14, 15, 23, 26)	1	06-23-2004
93	30266	END FLANGE ASSM (ITEMS 36, 36a, 37)	1	06-23-2004

* Serial number 125416 and greater

SP8 Air Assembly



*—(92) **—(93)

Figure 3 – SP8 Air Assembly

SURFACE PREPARATION SYSTEM OWNER'S MANUAL & PARTS BOOK

SP8 Air Assembly

ITEM NO	PART NO	DESCRIPTION (SP8 AIR ASSEMBLY)	QTY	REMARK
01	30290	SPS HANDLE ASSM	1	06-23-2004
02	50444	EXHAUST CAP	1	
03	30284	SHCS, M10-1.5x25MM	6	06-23-2004
04	11621	LOCKWASHER, M10	12	06-23-2004
05	30289	WASHER, M10	4	06-23-2004
06	30213	DRIVE SPINDLE	1	06-23-2004
07	50093	BEARING COVER PLATE	1	
08	50544	FELT WASHER LARGE	1	
09	50004	BEARING	1	
10	50545	FELT WASHER SMALL	1	
12	30280	SHSS, M8-1.25x10MM	2	06-23-2004
14	50546	RING SPACER	1	
15	50012	SNAP RING	1	
16	11747	HHCS, M8-1.25x16MM	2	
17	11614	LOCKWASHER, M8	10	
18	11667	WASHER, M8	6	
19	50522	BELT GUARD	1	
20	50523	BELT - 3VX280	1	06-23-2004
21	30281	HHCS, M6-1.0x25MM	3	06-23-2004
23	30218	KEY - 8MM SQ x 30MM	1	06-23-2004
24	30214	PULLEY - DRIVEN	1	06-23-2004
25	30282	SHCS, M10-1.5x20MM	4	06-23-2004
26	30292	DRIVE FLANGE	1	06-23-2004
27	50357	FRONT WHEEL - 4" DIA.	2	
28	50510	WHEEL BUSHING	4	
29	50351	WASHER, 5/8"	4	
30	50348	FRONT AXLE	1	
31	50350	SNAP RING - 5/8" EXT.	2	
32	30216	HEX DRIVE SHAFT	1	06-23-2004
33	30204	HOUSING	1	06-23-2004
34	31106	SHCS, M8-1.25 x 20	4	06-23-2004
35	50537	GROUND STRAP	1	
36	50482	BEARING, HEX ID	1	06-23-2004
36a	50485	FELT WASHER	1	
37	30293	END CAP FLANGE	1	06-23-2004
38	50611	SHAFT GUARD	1	
39	50615	END CAP	1	
40	30285	SHCS, M10-1.5 x 45MM	2	06-23-2004
41	30286	RUBBER MOUNT	4	06-23-2004
42	30287	SPACER	4	06-23-2004
45	50530	LOCKWASHER, 5/16", EXT. C'SUNK	4	
46	30291	FHSCS, M8-1.25 x 40MM	4	06-23-2004
47	10452	HHCS, M8-1.25 x 40MM	4	06-23-2004
57	10402	LOCKWASHER, 5/16"	4	
58	30142	HHCS, 5/16-18UNC x 3/4" LG	2	

SURFACE PREPARATION SYSTEM OWNER'S MANUAL & PARTS BOOK

SP8 Air Assembly (Con't)

ITEM NO	PART NO	DESCRIPTION	QTY	REMARK
61	50105	SWITCH PLATE	1	
62	50107	LOCKWASHER, INT. #8	8	
63	11035	PHMS, M4-0.7 x 10MM LG	4	06-28-2011
67	50377	GAST 8 AIR MOTOR	1	
68	50380	MUFFLER	1	
69	50309	KEY, 3/16" SQ x 1-1/4"	1	
70	50117	SHSS, 5/16"-18UNCx1/2"LG	2	
71	50532	PULLEY - DRIVE	1	
72	50551	SLIDING NUT, AIRMOTOR	2	
73	50516	MOUNTING PLATE	1	
74	50180	MOTOR HOSE - 6"	1	
75	50161	HOSE CLAMP, 1/2"	6	
76	30008	HHCS, 5/16-18UNC x 1-3/4"	4	
77	50163	HOSE FITTING, 1/2"	5	
78	10392	HHCS, 1/4"-20 x 3/4"	2	06-28-2011
79	50363	LOCKWASHER, 1/4"	6	06-28-2011
80	11043	WASHER, 1/4"	2	06-28-2011
81	50117	FITTING, 90 DEG. ELBOW, 1/4NPT	1	
82	50175	1/4" NIPPLE	1	
83	50176	GAUGE	1	
84	50494	AIR REGULATOR	1	
85	50493	REGULATOR BRACKET	1	
86	50165	VALVE CLAMP	2	
87	10582	NUT, SQUARE, 1/4-20UNC	2	
88	50164	BALL VALVE 1/2"	1	
89	50170	REGULATOR HOSE 20"	1	
90	50162	EXTENSION HOSE 30"	1	
91	50160	QUICK COUPLING 1/2"	1	
92	30250	DRIVE FLANGE ASSM (ITEMS 6, 7, 8, 9, 10, 14, 15, 23, 26)	1	06-23-2004
93	30266	END FLANGE ASSM (ITEMS 36, 36a, 37)	1	06-23-2004

Handle Assembly - 30290

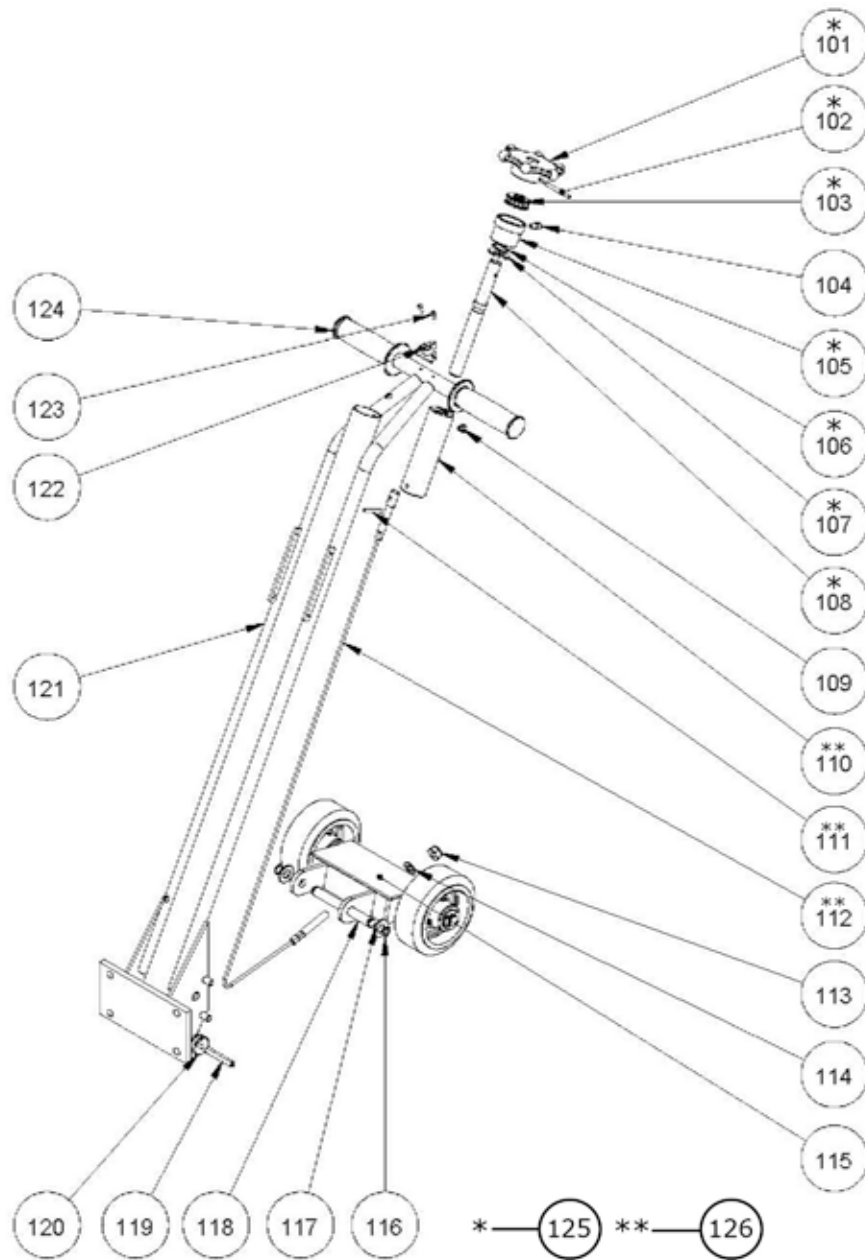


Figure 4 - Handle Assembly

SURFACE PREPARATION SYSTEM OWNER'S MANUAL & PARTS BOOK

Handle Assembly - 30290

ITEM NO	PART NO	DESCRIPTION	QTY	REMARK
101	30294	HAND KNOB	1	06-23-2004
102	30295	SPRING PIN, M5 x 48MM	1	06-23-2004
103	30210	BEARING	1	06-23-2004
104	21727	SHCS,M6-1 x12MM	1	06-23-2004
105	30209	BUSHING	1	06-23-2004
106	50266	WAVE WASHER	1	06-23-2004
107	10306	WASHER	1	06-23-2004
108	30208	SCREW SHAFT	1	06-23-2004
109	21725	SHCS, M6-1 x 6MM	1	06-23-2004
110	30205	SLIDE BUSHING	1	06-23-2004
111	30302	SPRING PIN, M5 x 35MM	1	06-23-2004
112	30296	CABLE, PITCH CONTROL	1	06-23-2004
113	11802	LOCKNUT, M10-1.5	1	06-23-2004
114	41516	WASHER, M10	1	06-23-2004
115	30310	REAR WHEEL ASSY	1	06-23-2004
116	50025	SNAP RING	2	06-23-2004
117	50026	WASHER - 1/2"	2	06-23-2004
118	50531	PIN, LIFT PLATE	1	06-23-2004
119	30298	SPRING PIN, M8 x 35MM	1	06-23-2004
120	30299	PULLEY	1	06-23-2004
121	30300	SPS HANDLE TUBE	1	06-23-2004
122	30303	STOP SWITCH CORD ASSY	1	06-23-2004
123	11035	SCREW, M4-0.7 x 10MM	2	06-23-2004
124	30301	HANDLE GRIPS	2	06-23-2004
125	30279	HAND KNOB ASSY (ITEMS 101-103, 105-108)	1	06-23-2004
126	30240	CABLE ASSY (ITEMS 110-112)	1	06-23-2004

SURFACE PREPARATION SYSTEM OWNER'S MANUAL & PARTS BOOK

Rear Wheel Assembly - 30310

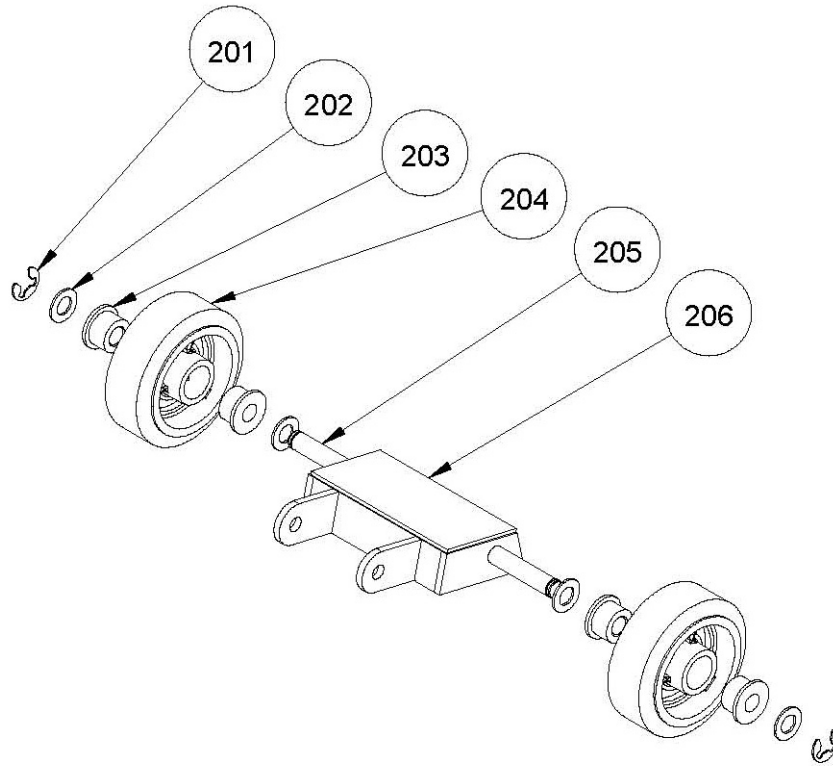
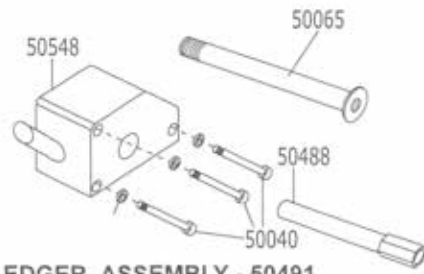


Figure 5 – Rear Wheel Assembly

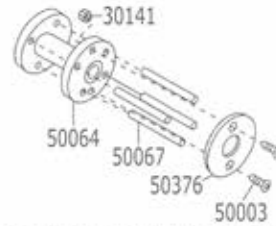
ITEM NO	PART NO	DESCRIPTION (REAR WHEEL ASSEMBLY)	QTY	REMARK
201	50350	SNAP RING	1	06-23-2004
202	50351	WASHER - 5/8"	4	06-23-2004
203	50510	WHEEL BUSHING	4	06-23-2004
204	50356	REAR WHEEL - 5" DIA.	2	06-23-2004
205	50349	REAR AXLE	1	06-23-2004
206	30297	LIFT PLATE	1	06-23-2004

Edger and Edger Cage Assembly



EDGER ASSEMBLY - 50491

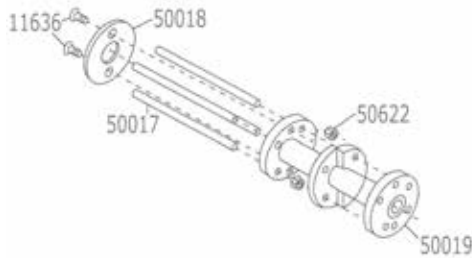
Figure 6



EDGER CAGE ASSEMBLY - 50083

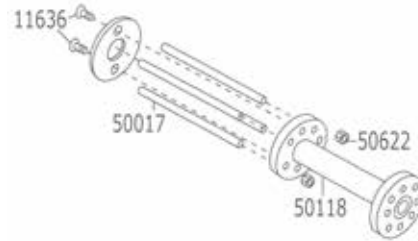
Figure 7

Cage Assemblies



"A" CAGE ASSEMBLY - 50078

Figure 8



"B" CAGE ASSEMBLY - 50146

Figure 9

SURFACE PREPARATION SYSTEM OWNER'S MANUAL & PARTS BOOK

<i>APPLICATION</i>	<i>CUTTER</i>	<i>CAGES</i>
Adhesive Removal	A-2, B-2 alone or combined A-2/B-2 or A-3/B-3 combined	R121, R125, R137, R138, R142
Asphalt leveling and grooving	B-2, B-3, A-3, alone or combined A-3/B-3	R122, R122, R126, R132, R138, R149
Carpet backing removal	A-2, B-2, or combined A-2/B-2 or A-3/B-3 combined	R121, R125, R137, R138, R142
Coating removal	B-2, B-3, A-3, TCT's	R121, R122, R138, R134, R139
Concrete grinding	A-3, or TCT's	R126, R134, R139
Concrete & steel surface preparation	A-3, B-1, B-2, alone	R122, R126, R155
Concrete grooving	B-3, TCT's	R123, R149
Epoxy removal	B-2, B-3, alone	R122, R137, R138
Expansion joint leveling	TCT cutters	R134, R139
Floor cleaning steel & concrete	B-1, B-2, B-3 alone or A-3/B-3	R120, R126, R137, R138
Line removal	B-2, B-3, TCT's, Carbide Flails	R132, R143, R160, R161, R162, R163
Milling joints	TCT's	R123, R134, R139
Non-slip removal	A-3 alone or A-3/B-3	R126, R138
Paint removal	B-1, B-2, B-3, A-2, or A-3/B-3	R121, R122, R125, R137, R138, R155
Steel de-scaling	A-3, A-3/B-3	R126, R138
Wheelchair ramp leveling	TCT's	R134, R139

