

PARTS MANUAL



***WHITEMAN* SERIES** **MODEL STXD6i** **HYDRAULIC RIDE-ON TROWEL** **(YANMAR 4TNV84T-Z-DSA2 DIESEL ENGINE)**

Revision #5 (09/25/19)

To find the latest revision of this publication or associated operation manual, visit our website at: www.multiquip.com



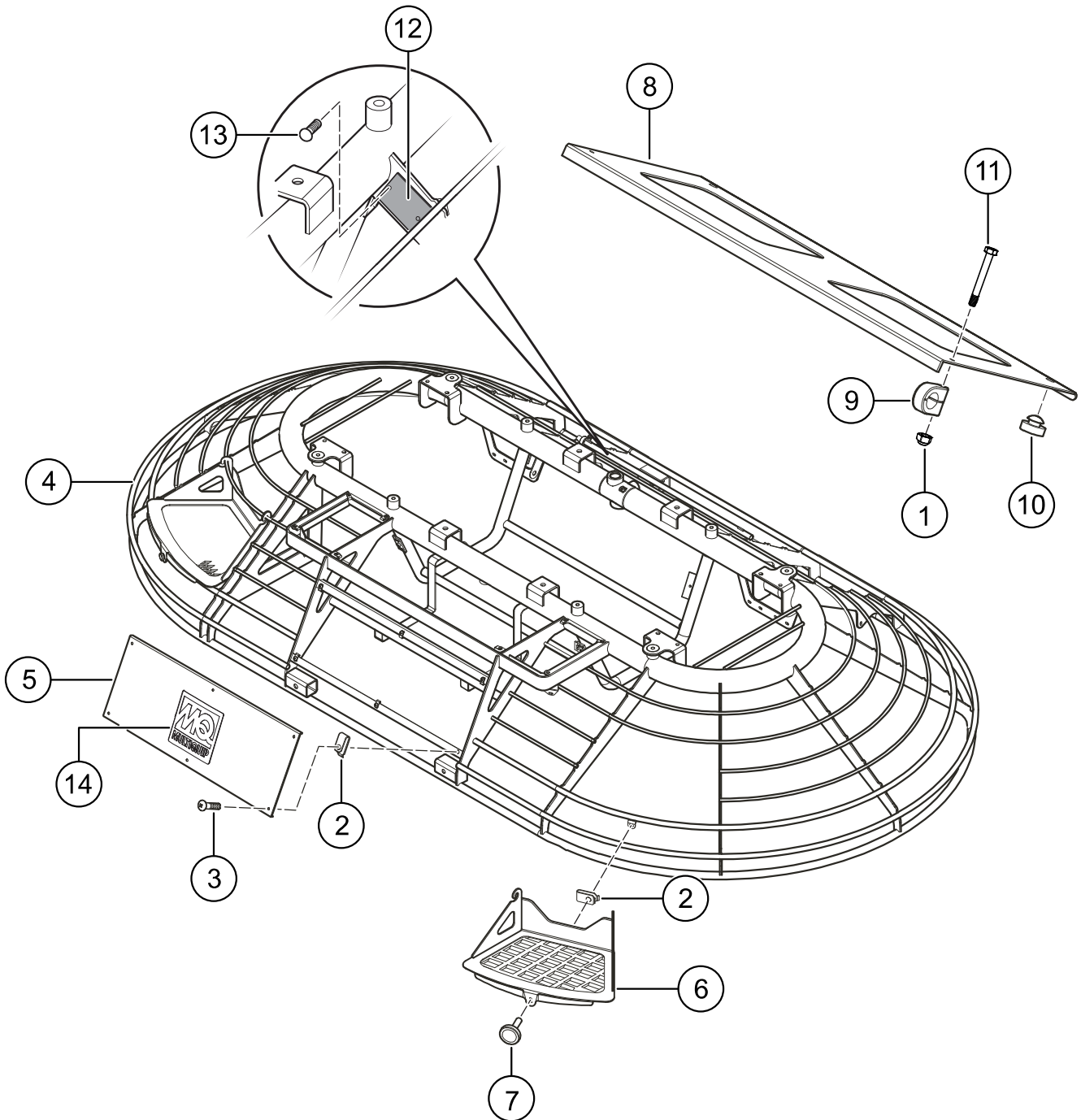
THIS MANUAL MUST ACCOMPANY THE EQUIPMENT AT ALL TIMES.

PN: 22777

NAMEPLATE AND DECALS ASSY.

<u>NO.</u>	<u>PART NO.</u>	<u>PART NAME</u>	<u>QTY.</u>	<u>REMARKS</u>
1	22818	DECAL,RH CONSOLE OVERLAY	1	
2	22817	DECAL,LH CONSOLE OVERLAY	1	
3	36099	DECAL, ISO, PROTECTIVE CLOTHING	1	
4	23810	DECAL ISO, INHALATION HAZARD, 2"	1	
5	34626	DECAL, ISO, LIFTING POINT NOTICE	2	
6	23700	DECAL ISO, LIFTING / CRUSH HAZARD	2	
7	23698	DECAL ISO, ROTATING BLADE HAZARD	2	
8	23874	DECAL ISO, DO NOT REMOVE GUARDS, HAZARD	2	
9		DECAL, SERIAL PLATE.....	1CONTACT MQ PARTS DEPT.
10	34630	DECAL, FIRE, EXPLOSION, SMOKING HAZARD	2	
11	23813	DECAL ISO, FUEL, DIESEL 3.0" X 2.45"	1	
12	23808	DECAL ISO, HOT SURFACE HAZARD	1	
13	30117	DECAL, ISO, EYE INSPECTION 1" DIA.	1	
14	22827	DECAL, GAUGE PORT OVERLAY	1	
15	32554	DECAL, LIGHT SWITCH	1	
XX	20953	DECAL, WARNING, ROTOR SPEED SETTING	1	

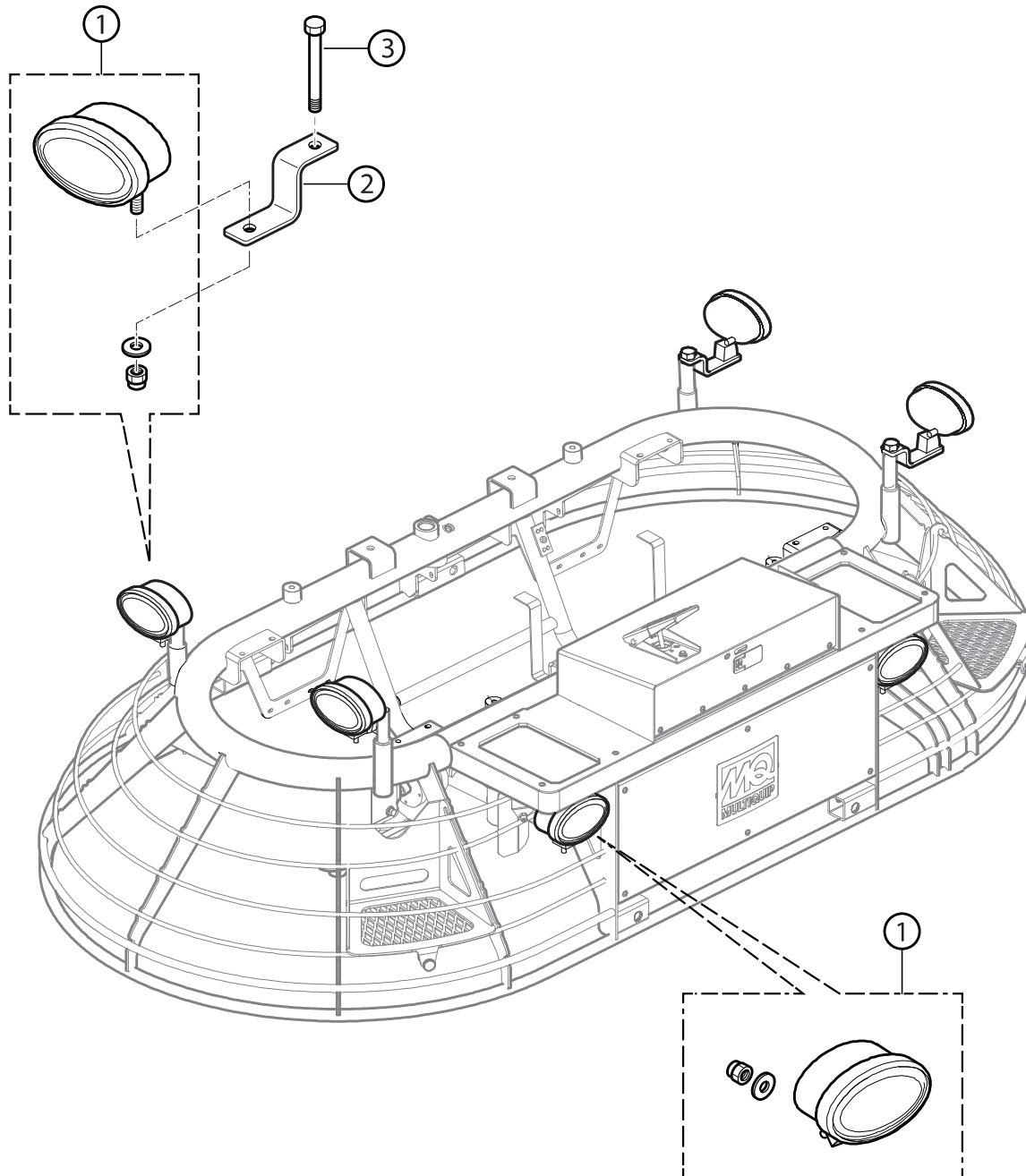
FRAME ASSY.



FRAME ASSY.

<u>NO.</u>	<u>PART NO.</u>	<u>PART NAME</u>	<u>QTY.</u>	<u>REMARKS</u>
1	10024	NUT, NYLOC 1/4-20	2	
2	11534	NUT U TYPE 1/4-20	12	
3	12287	SCREW, THP 1/4-20 X 3/4 SS	6	
4	22823	FRAME W/A	1	
5	20697	PANEL, ACCESS, FRONT.....	1.....	SAFETY ITEM
6	21428	STEP, W/A.....	2.....	SAFETY ITEM
7	21468	KNOB, PLASTIC 1/4-20 X 1 STUD	2	
8	21547	PANEL, ACCESS, REAR STX.....	1.....	SAFETY ITEM
9	21490	CLAMP, TUBE 18MM	2	
10	21597	BUMPER, STEM 1" DIA X .5" STEM X .31"TK	2	
11	26250	SCREW, HHC 1/4-20 X 1-3/4	2	
12		DECAL, SERIAL PLATE	1.....	SEE NAMEPLATE AND DECALSASSY.
13	4014	SCREW, 2-3/16 P-K TYPE U-DRIVE	2	
14	23235	BADGE, FOOT PLATFORM, MQ	1	

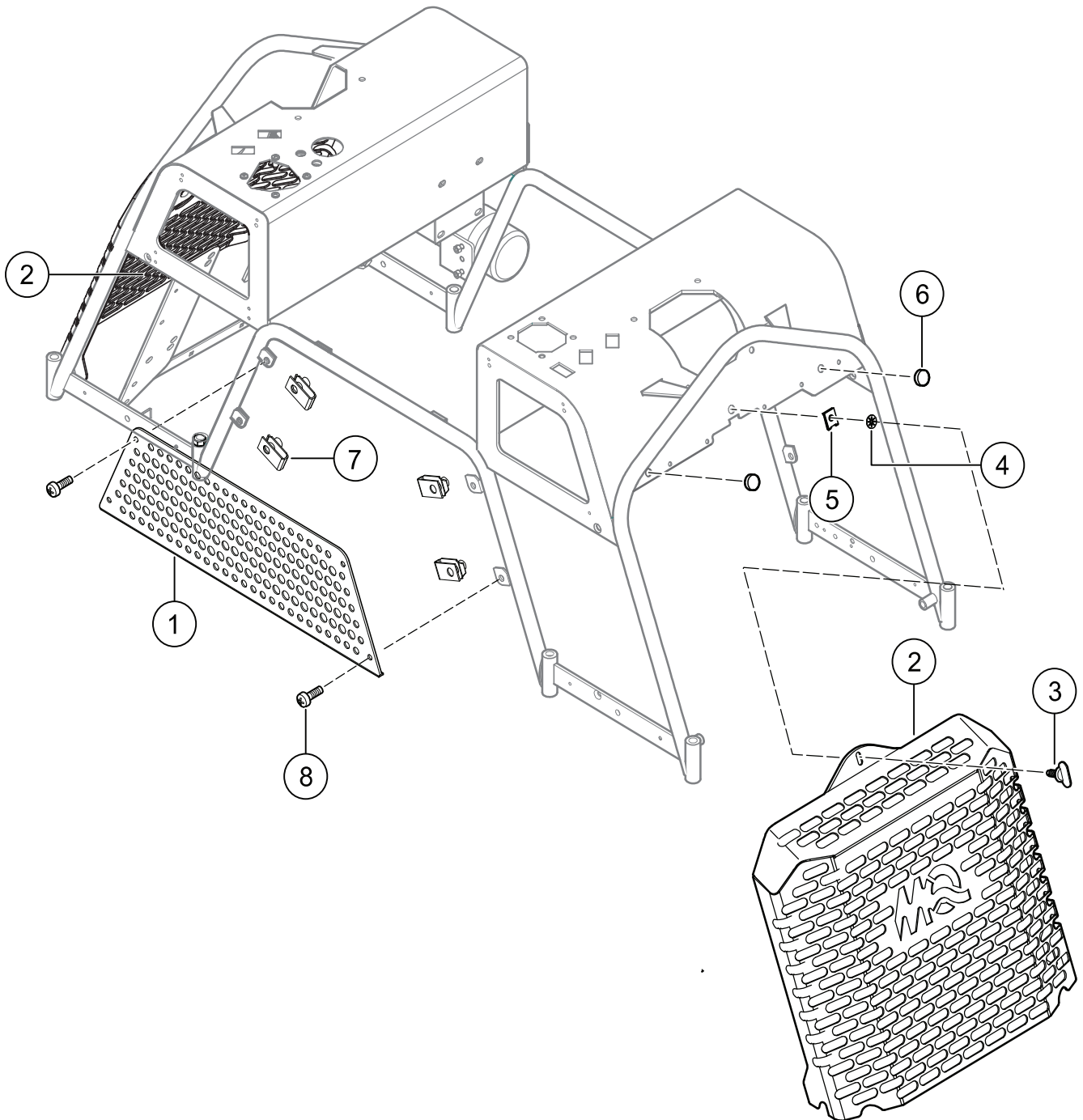
LIGHT ASSY.



LIGHT ASSY.

<u>NO.</u>	<u>PART NO.</u>	<u>PART NAME</u>	<u>QTY.</u>	<u>REMARKS</u>
1	22347	LIGHT, HELLA 50W BOTTOM MOUNT	6	
2	22420	BRACKET,RIDER OP LIGHTS	4	
3	8087	SCREW, HHC 1/2-13 X 4	8	

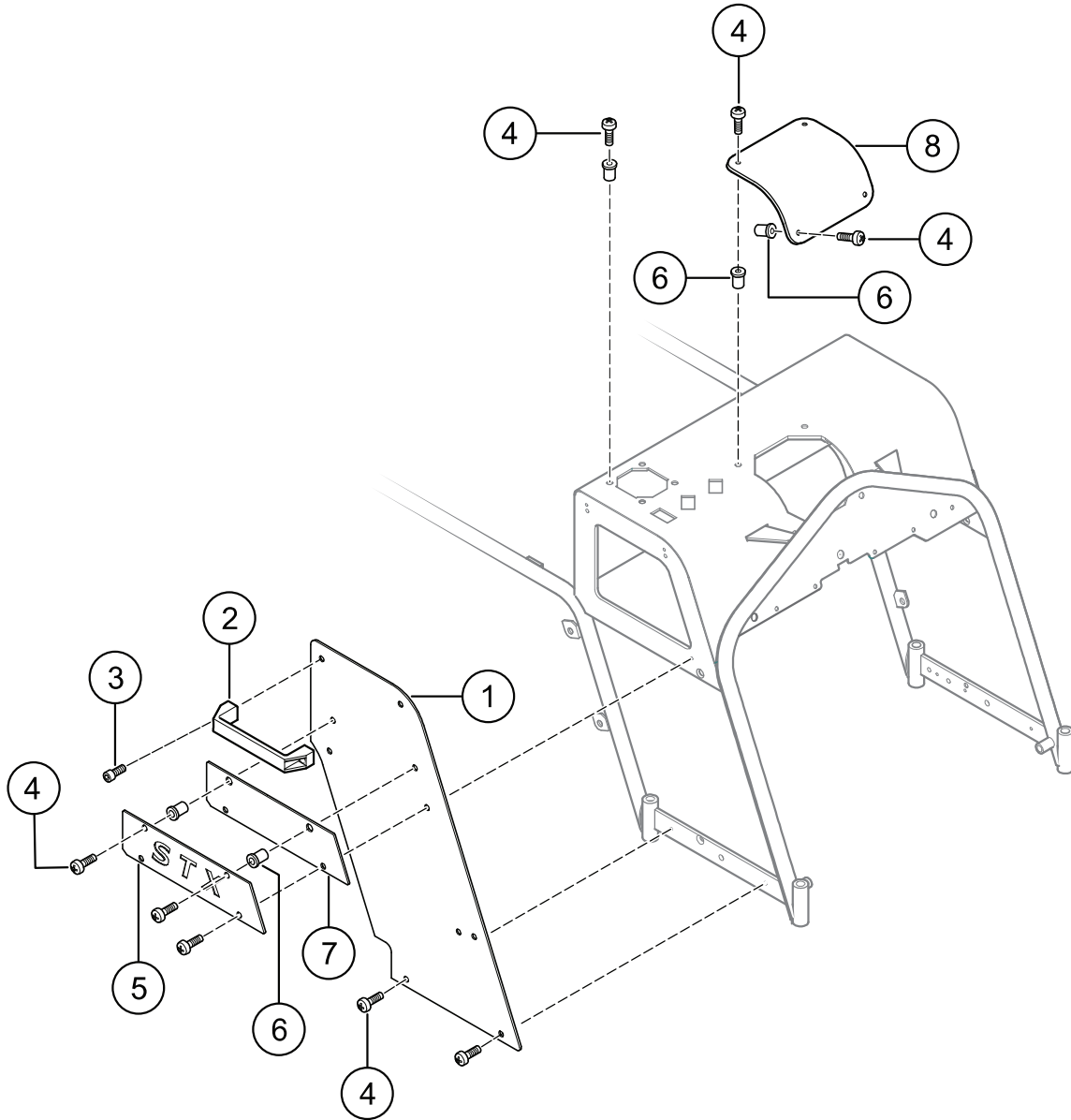
FRONT AND SIDE GUARD ASSY.



FRONT AND SIDE GUARD ASSY.

<u>NO.</u>	<u>PART NO.</u>	<u>PART NAME</u>	<u>QTY.</u>	<u>REMARKS</u>
1	32059	PANEL, SEATFRAME FRONT CENTER	1	
2	22367	GUARD, HYD RIDER	2	
3	21893	SCREW, FAST LEAD	2	
4	21986	WASHER, FAST LEAD-STAINLESS	2	
5	21894	CLIP, FAST LEAD	2	
6	21597	BUMPER, STEM, 1.0"D X .5S X 31	2	
7	11534	NUT, "U" TYPE, 1/4-20	4	
8	21575	SCREW, SHC 5/16-18 X 3/4	4	

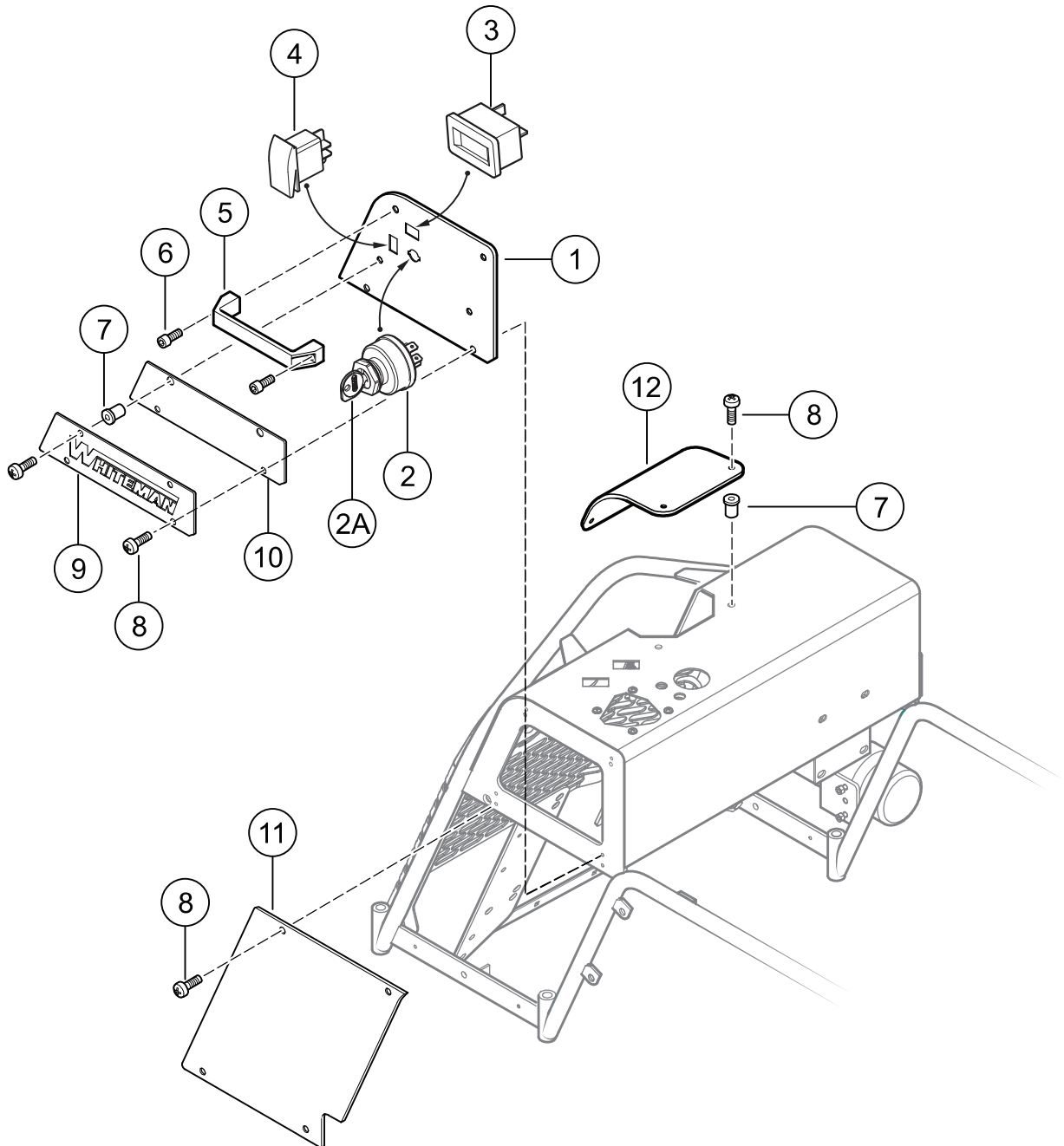
LEFT FRONT PANEL ASSY.



LEFT FRONT PANEL ASSY.

<u>NO.</u>	<u>PART NO.</u>	<u>PART NAME</u>	<u>QTY.</u>	<u>REMARKS</u>
1	20675	PANEL, SEATFRAME FRONT LEFT	1	
2	20674	HANDLE, GRAB	1	
3	21575	SCREW, SHC 5/16-18 X 3/4	2	
4	12287	SCREW, THP 1/4-20 X 3/4 SS	AR	
5	32053	PANEL, SIDE TRIM "STX"	1	
6	19266	NUT, BLIND 1/4-20 X .027-.165	AR	
7	32057	PLATE, TRIM BACKING B, STX	1	
8	20693	PANEL, RADIATOR COVER	1	

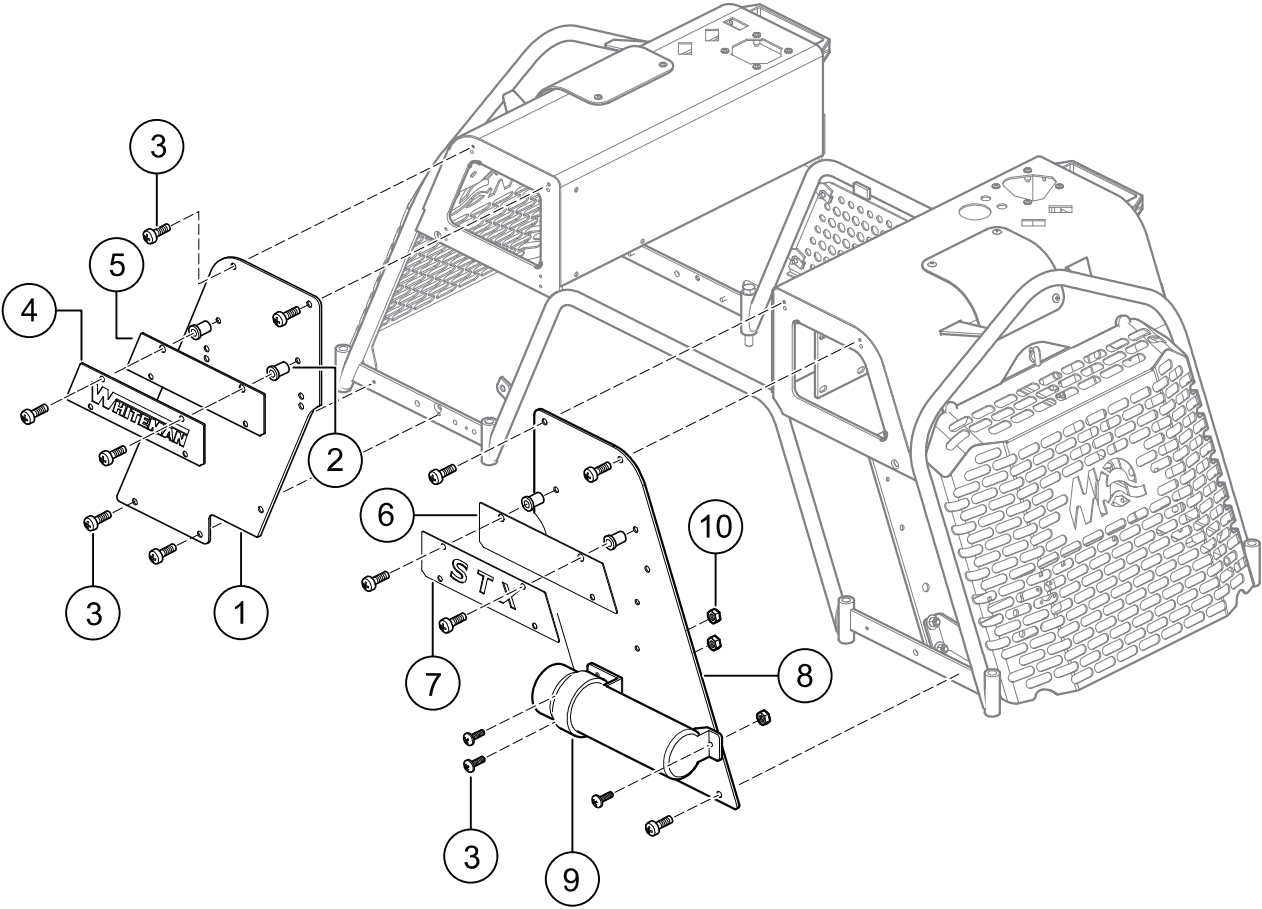
RIGHT FRONT PANEL ASSY.



RIGHT FRONT PANEL ASSY.

<u>NO.</u>	<u>PART NO.</u>	<u>PART NAME</u>	<u>QTY.</u>	<u>REMARKS</u>
1	32058	PANEL, SEATFRAME, UPPER FRONT LEFT	1	
2	406017	SWITCH, IGNITION, KEYED	1	
2A	406017-1	KEY/ IGNITION SWITCH	1	
3	29640	HOUR METER, SENDER RECT FLUSH MT.	1	
4	406000	SWITCH, ROCKER	1	
5	20674	HANDLE, GRAB	1	
6	21575	SCREW, SHC 5/16-18 X 3/4	2	
7	19266	NUT, BLIND 1/4-20 X .027-.165	AR	
8	12287	SCREW, THP 1/4-20 X 3/4 SS	AR	
9	32054	PANEL, SIDE TRIM "WHITEMAN"	1	
10	32056	PLATE, TRIM BACKING A, STX	1	
11	22781	PANEL, SEATFRAME, FRT LOWER RIGHT	1	
12	20693	PANEL, RADIATOR COVER	1	

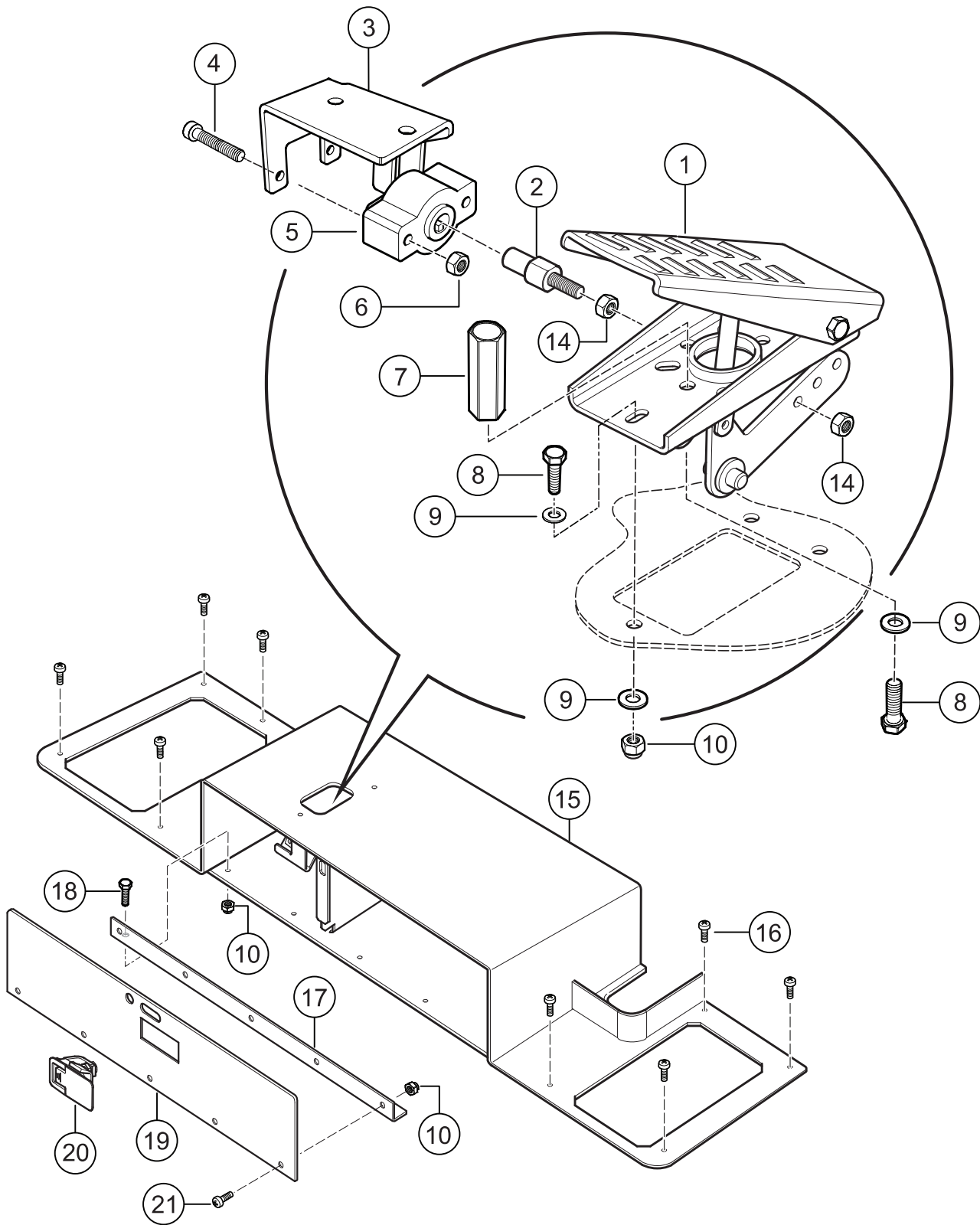
REAR PANEL ASSY.



REAR PANEL ASSY.

<u>NO.</u>	<u>PART NO.</u>	<u>PART NAME</u>	<u>QTY.</u>	<u>REMARKS</u>
1	22885	PANEL, REAR, SEAT FRAME, STXD6i	1	
2	19266	NUT, BLIND 1/4-20 X .027-.165	AR	
3	12287	SCREW, THP 1/4-20 X 3/4 SS	AR	
4	32054	PANEL, SIDE TRIM "WHITEMAN"	1	
5	32056	PLATE, TRIM BACKING A, STX	1	
6	32057	PLATE, TRIM BACKING B, STX	1	
7	32053	PANEL, SIDE TRIM "STX"	1	
8	22413	PANEL, SEATFRAME REAR RIGHT	1	
9	23297	MANUAL HOLDER, PICTOGRAPH	1	
10	10024	NUT, NYLOC 1/4-20	AR	

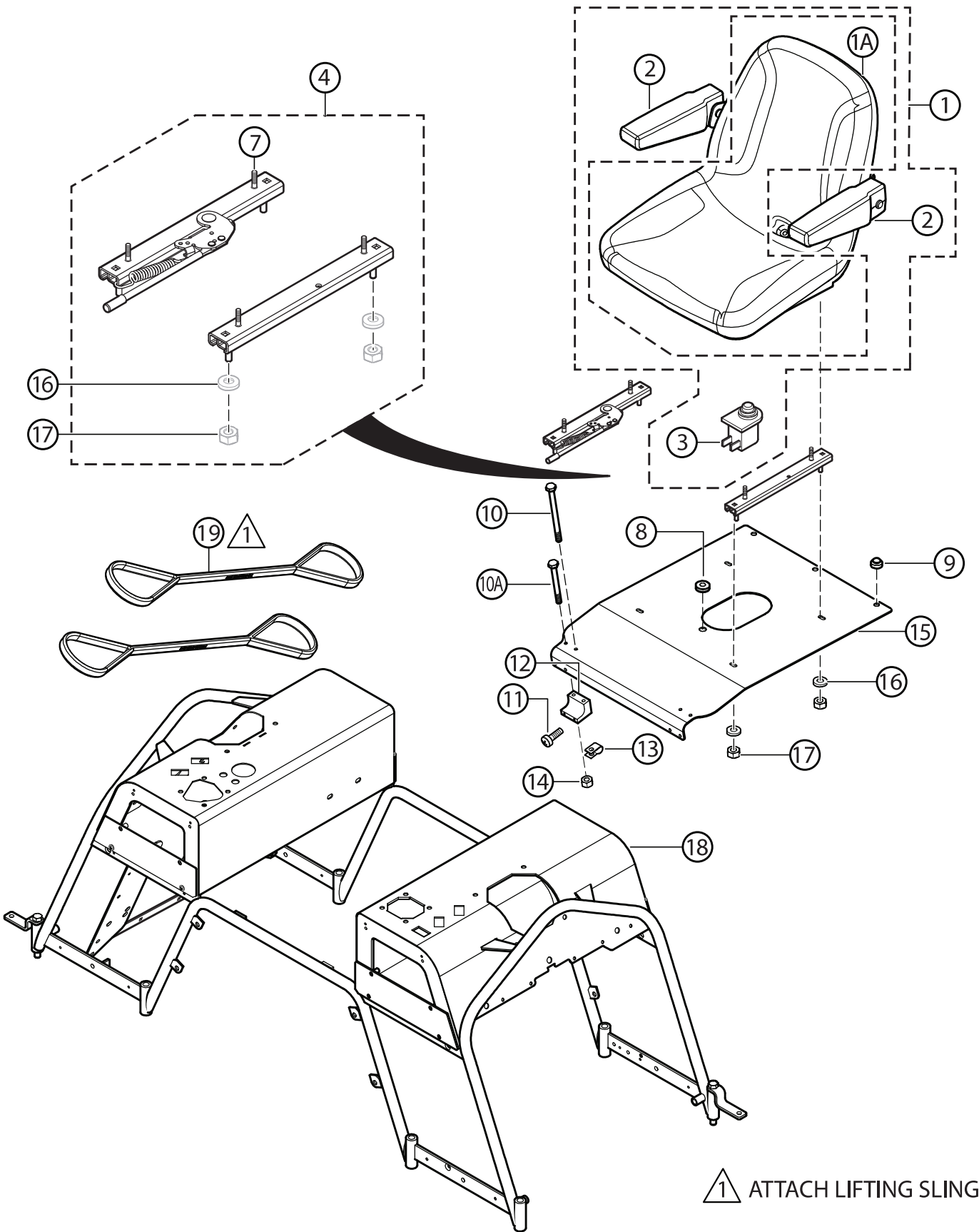
PLATFORM ASSY.



PLATFORM ASSY.

<u>NO.</u>	<u>PART NO.</u>	<u>PART NAME</u>	<u>QTY.</u>	<u>REMARKS</u>
1	22772	PEDAL, HYDRAULIC PUMP	1	
2	22764	SHAFT, FOOT PEDAL SENSOR	1	
3	22765	MOUNT, FOOT PEDAL SENSOR	1	
4	32116	SCREW, SHC 10-32 x 1-1/2 BLK OXI	2	
5	22710	SENSOR, FOOT PEDAL	1	
6	13287	NUT, NYLOC 8/32	2	
7	22883	STOP, FOOT PEDAL	1	
8	0730	SCREW, HHC 1/4-20 X 1	4	
9	0948	WASHER, FLAT SAE 1/4	4	
10	10024	NUT, NYLOC 1/4-20	13	
14	6904	NUT, HEX FINISH 1/4-28 ZINC	2	
15	20720	PLATFORM, OPERATOR	1	
16	12287	SCREW, THF 1/4-20 X 3/4 SS	14	
17	20692	HINDGE, TOOLBOX ACCESS PANEL	1	
18	0131 A	SCREW, HHC 1/4-20 X 3/4	5	
19	20698	DOOR, PLATFORM	1	
20	560020	LATCH, REAR SAW ACCESS PANEL	1	
21	21611	SCREW, THP 1/4-20 X 5/8 SS	5	

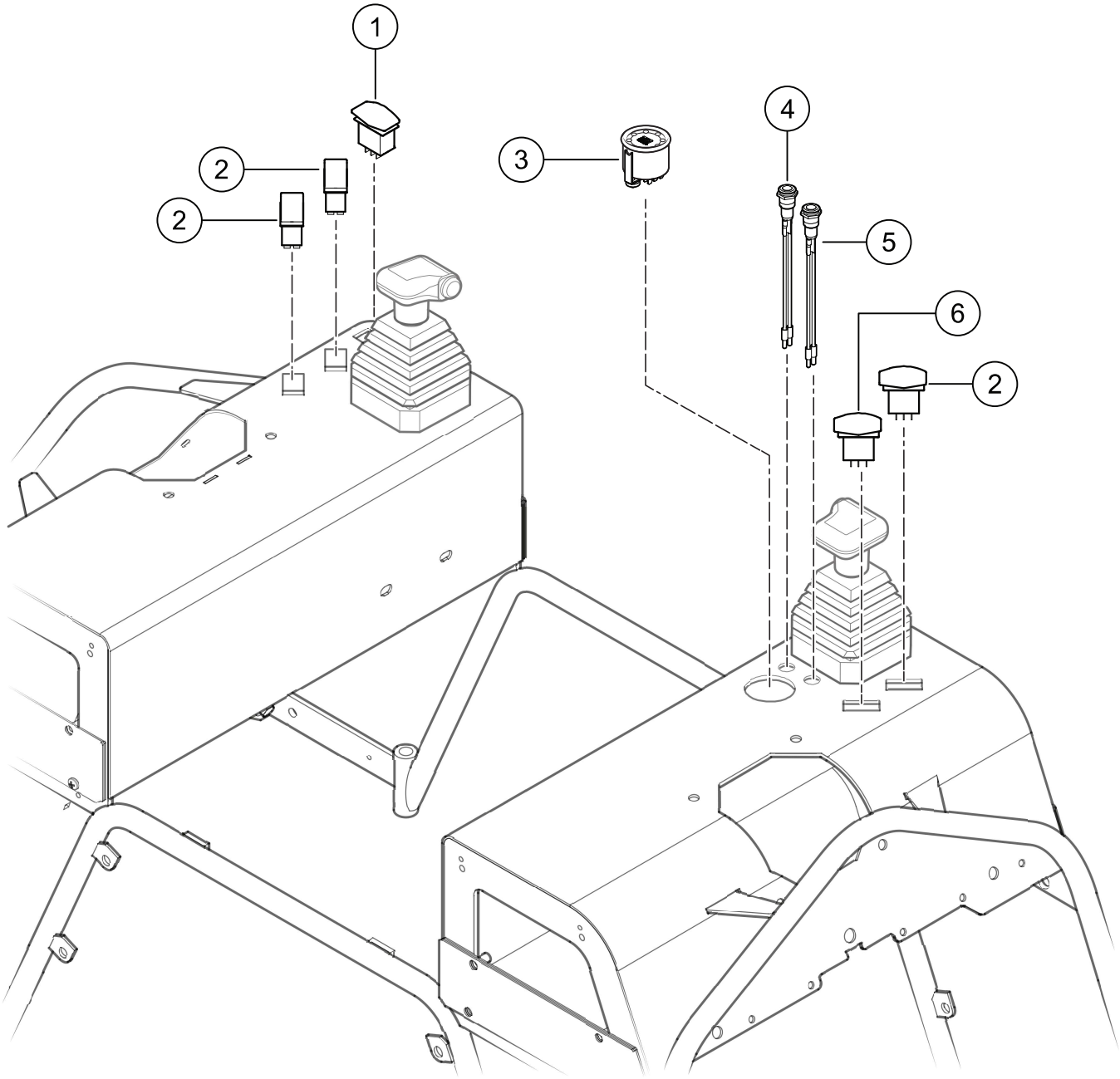
SEAT FRAME ASSY.



SEAT FRAME ASSY.

<u>NO.</u>	<u>PART NO.</u>	<u>PART NAME</u>	<u>QTY.</u>	<u>REMARKS</u>
1A\$	21860	SEAT, BASIC MICHIGAN	1	
1	21852-S	SEAT, MICHIGAN, ADJUSTABLE W/ARMS.....	1.....	INCLUDES ITEMS W/\$
2\$	21868	ARMREST KIT, MICHIGAN	1	
3\$	21870	KILL SWITCH, DELTA SYSTEMS	1	
4	21865	SEAT ADJUSTER KIT, MICHIGAN	1.....	INCLUDES ITEMS W/#
7	0400 B	SCREW, HHC 5/16-8 X 1/2	4	
8	19468	GROMMET, 3/16 X 1/2 ID X 1-1/4 OD	1	
9	21597	BUMPER, STEM 1.0"D X .5S X .31	7	
10	4538	SCREW, HHC 1/4-20 X 2-1/2 GR 5	2	
10A	20909	SCREW, HHC 1/4-20 X 2	2	
11	12287	SCREW, THP 1/4-20 X 3/4 SS	4	
12	20685	BLOCK, OPERATOR SEAT PIVOT	2	
13	8125	CLAMP, HOSE 5/8"	2	
14	10024	NUT, NYLOC 1/4-20	4	
15	22728	PLATFORM, OPERATOR SEAT VENTED	1	
16	0300 B	WASHER, FLAT SAE 5/16	4	
17	5283	NUT, NYLON 5/16-18	4	
18	22364	SEAT FRAME W/A	1	
19	23165	SLING, LIFTING	2	

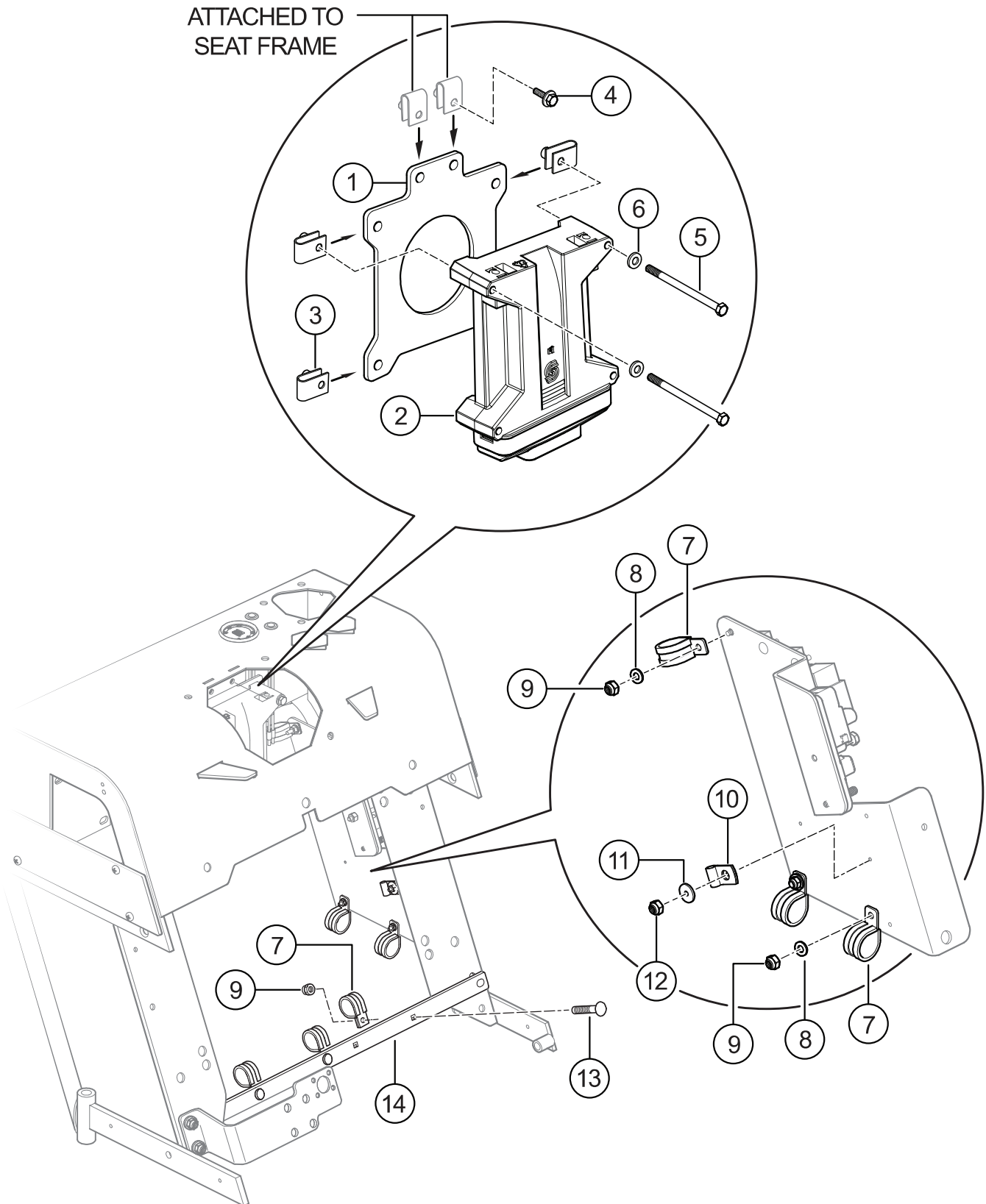
INDICATORS - SWITCHES - METER ASSY.



INDICATORS - SWITCHES - METER ASSY.

<u>NO.</u>	<u>PART NO.</u>	<u>PART NAME</u>	<u>QTY.</u>	<u>REMARKS</u>
1	22703	SWITCH, LKG,W/GREEN LED PITCH MODE	1	
2	21470	SWITCH, ON-OFF-ON PITCH CNTRL ONLY	3	
3	22408	GAUGE, MULTI-LOFA	1.....	6 LIGHTS
4	22212	LIGHT ASSY., LED INDICT RED 5/8 DIA	1	
5	22213	LIGHT ASSY., LED INDICT YELLOW 5/8 DIA	1	
6	22702	SWITCH, MOMENTARY W/GRN LED CRUISE	1	

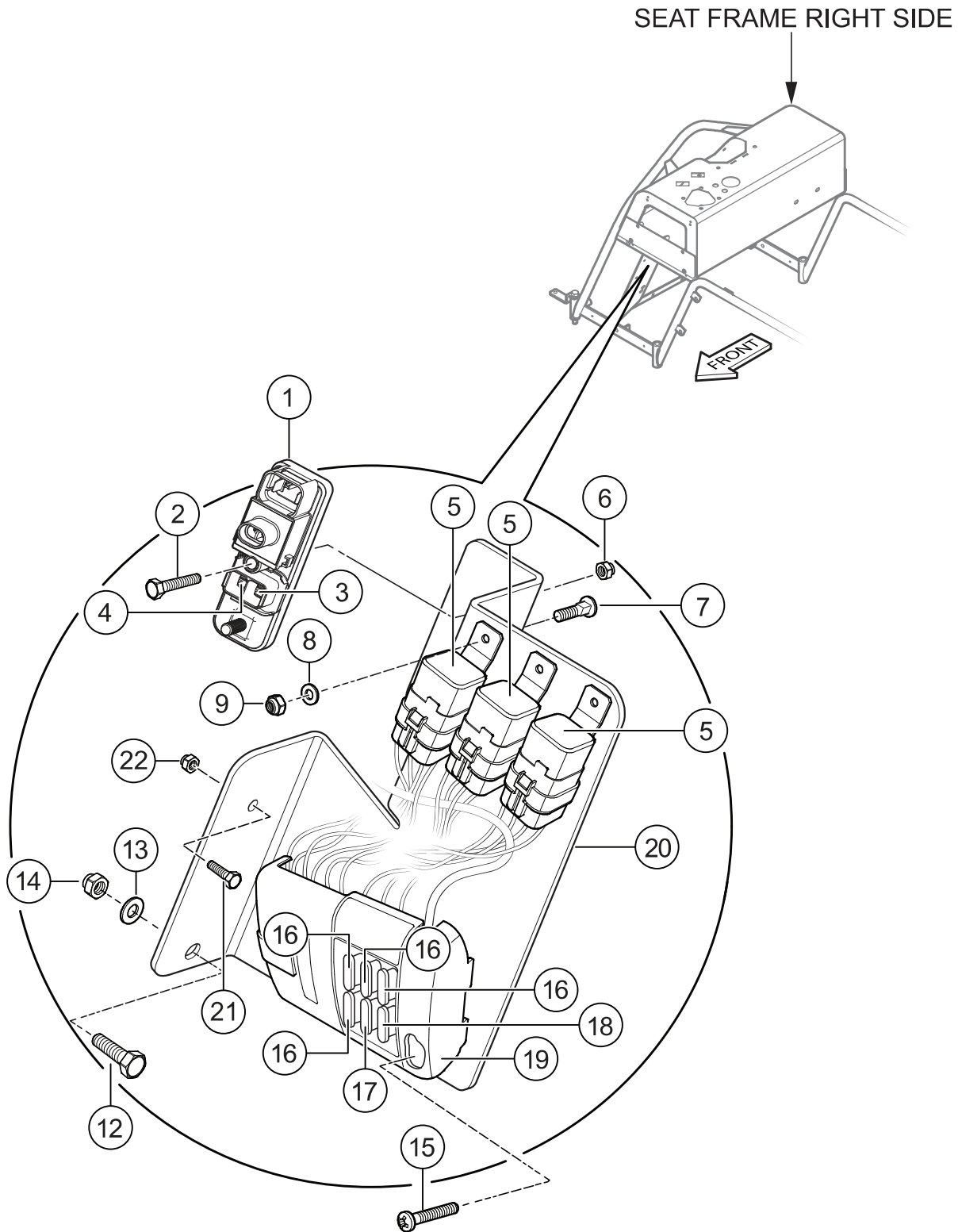
CONTROLLER ASSY.



CONTROLLER ASSY.

<u>NO.</u>	<u>PART NO.</u>	<u>PART NAME</u>	<u>QTY.</u>	<u>REMARKS</u>
1	22758	MOUNT, MCU	1	
2	22706	CONTROLLER, MC 050-20	1	
3	11534	NUT, "U" TYPE 1/4-20	6	
4	49048	SCREW, HHFS 1/4-20 X 3/4 GR5	3	
5	4538	SCREW, HHC 1/4-20 X 2-1/2 GR5	4	
6	0948	WASHER, FLAT SAE 1/4	4	
7	21574	CLAMP, LOOP CUSH'D #16 0.25 HOLE	6	
8	10136	WASHER, FLAT SAE 3/8	2	
9	10024	NUT, NYLOC 1/4-20	5	
10	8128	CLAMP, HOSE SUPPORT 5/16	1	
11	933201	WASHER, FENDER 3/16 X 3/4 ZINC	1	
12	13287	NUT, NYLOC 8-32	1	
13	29712	BOLT, CARRIAGE 1/4-20 X 3/4	3	
14	22766	CHANNEL, WIRE ROUTING	1	

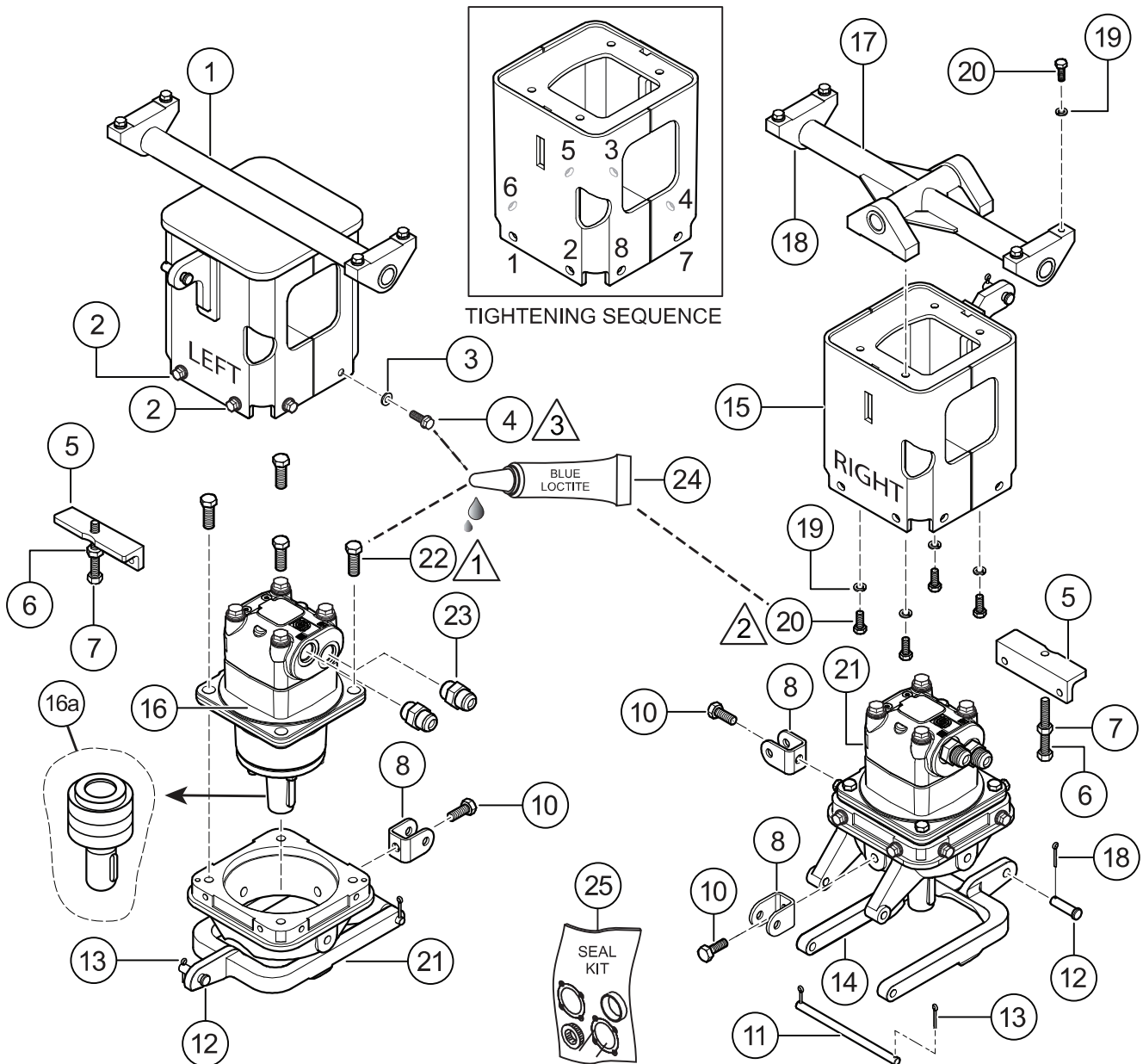
RELAYS - FUSES ASSY.



RELAYS - FUSES ASSY.

<u>NO.</u>	<u>PART NO.</u>	<u>PART NAME</u>	<u>QTY.</u>	<u>REMARKS</u>
1	22724	MODULE, POWER RELAY	1	
2	20909	SCREW, HHC 1/4-20 X 2	1	
3	22725-200	FUSE, 20 AMP J CASE	1	
4	22725-600	FUSE, 60 AMP J CASE	1	
5	12017	RELAY KILL	3	
6	10024	NUT, NYLOC 1/4-20	5	
7	22131	BOLT, CARRIAGE 10-32 X 3/4 ZINC	3	
8	2203	WASHER, FLAT #10	6	
9	10019	NUT, NYLOC 10-32	3	
12	0205	SCREW, HHC 3/8-16 X 1.0	1	
13	10136	WASHER, FLAT SAE 3/8	2	
14	10133	NUT, NYLOC 3/8-16	1	
15	923118	SCREW, SHC 8-32 x 1 NP	4	
16	23284-200	FUSE, 20 AMP ATC/ATO	4	
17	23284-050	FUSE, .5 AMP ATC/ATO	1	
18	23284-075	FUSE, 7.5 AMP ATC/ATO	1	
19	22426	BLOCK, TERMINAL FUSE	1	
20	22759	PANEL, ELECTRICAL	1	
21	49048	SCREW, HHFS 1/4-20 X 3/4 GR5	1	
22	10024	NUT, NYLOC 1/4-20	1	

PIVOT ASSY.



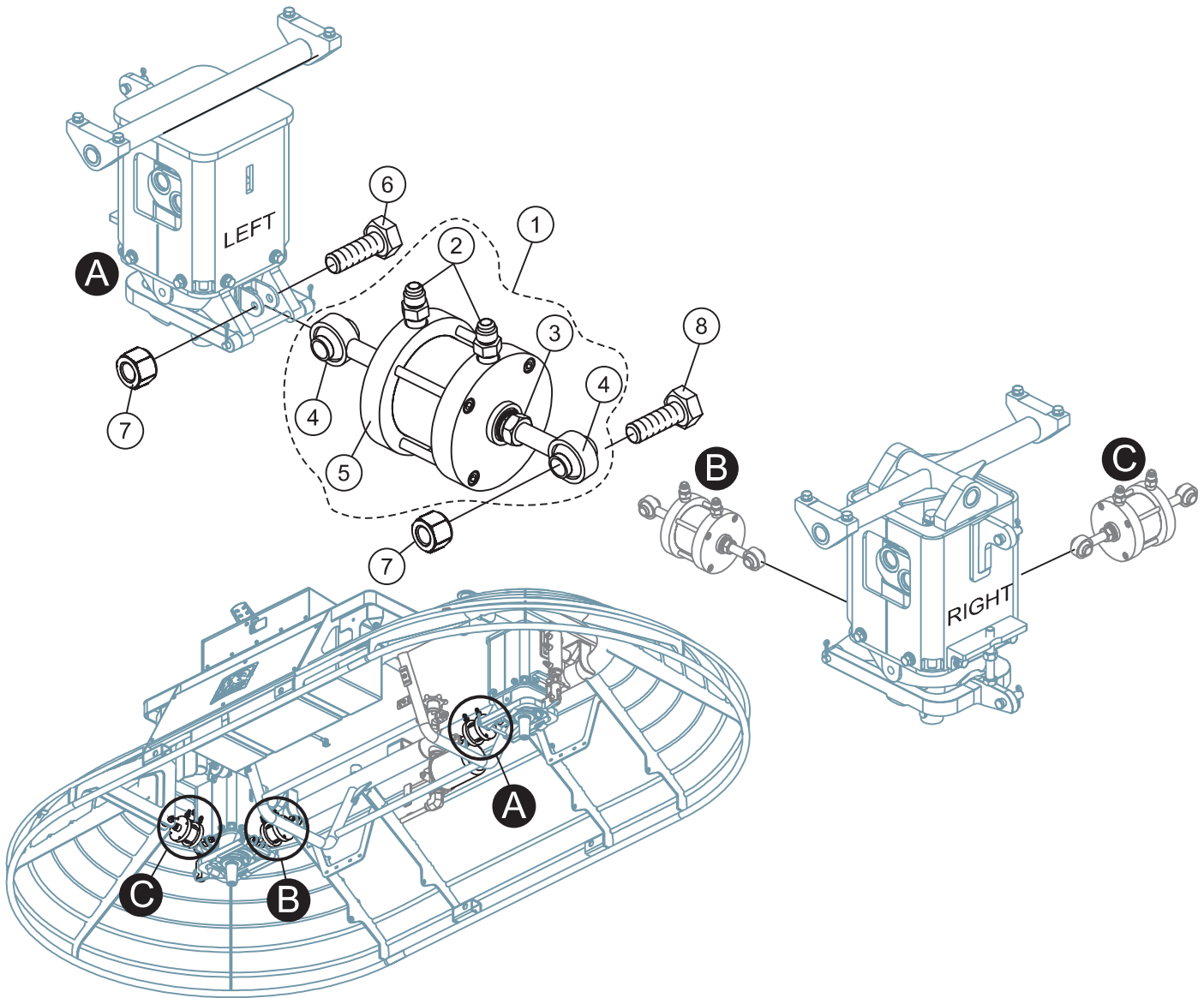
NOTES:

- ① APPLY BLUE LOCTITE #246 x 8
- ② APPLY BLUE LOCTITE #246 x 12
- ③ APPLY MINIMAL AMOUNT OF LPS ANTI-SEIZE GREASE TO THREADS OF SCREW (ITEM 4). HAND START SCREWS. FOLLOWING TIGHTENING SEQUENCE (SEE DIAGRAM ABOVE). TORQUE SCREW ASSEMBLY (FIRST PASS) TO A VALUE OF 21 FT-LBS (28.47 N·m). FOLLOW SAME SEQUENCE FOR FINAL TORQUE OF 41 FT-LBS (55.59 N·m).
- ④ CLEAN WITH NON-PETROLEUM BASE CLEANER BEFORE INSTALLING ITEMS 8 AND 10.

PIVOT ASSY.

<u>NO.</u>	<u>PART NO.</u>	<u>PART NAME</u>	<u>QTY.</u>	<u>REMARKS</u>
1	22414	HOUSING W/A, DRIVER MOTOR	1	
2	32009	SCREW, HHF 3/8-16 X 1.5 GRD 8	4	
3	21707	WASHER, FLAT 3/8, NORDLOC	16	
4	22228	SCREW, HHF 3/8-16 X 1.00 GRD 8	12	
5	32008	BRACKET, PITCH STOP	2	
6	968011	NUT, HEX FINISH 1/2-13	2	
7	25002	SCREW, HHC 1/2-13 X 3.5 TAP	2	
8	20787	CLEVIS, STEERING CYLINDER	3	
10	2691	SCREW, HHC 1/2-13 X 1	3	
11	21022	PIN, YOKE PIVOT	2	
12	22409	PIN, CLEVIS .50 X 1.50 STEEL ZINK PLT.	4	
13	0183	PIN, COTTER 1/8D X 1-1/4	8	
14	22738	YOKE, PITCH, MACHINED	2	
15	22415	HOUSING W/A, DRIVER MOTOR RH.	1	
16	21856	MOTOR, HYD SAUER-DANFOSS	2	
17	20639	TRUNION W/A, PIVOT AND PITCH	1	
18	11555	PIVOT BLOCK ASM, MOTOR MTG W/BUSH	6	
19	0166 A	WASHER, LOCK 3/8 MED.	12	
20	1023	SCREW, HHC 3/8-16 X 1-1/4 GR 5	12	
21	20643	HOUSING, LOWER MOTOR HSG.	2	
22	21376	SCREW, HHC 5/8-11 X 1-1/2	8	
23	11386	FITTING, STR 12MJ-12MO	4	
24	60097	LOCTITE, BLUE #246	AR	
25	32113	SEAL KIT COMP	1	
26	11009878	SHAFT AND BEARING	1	

HYDRAULIC STEERING ASSY.



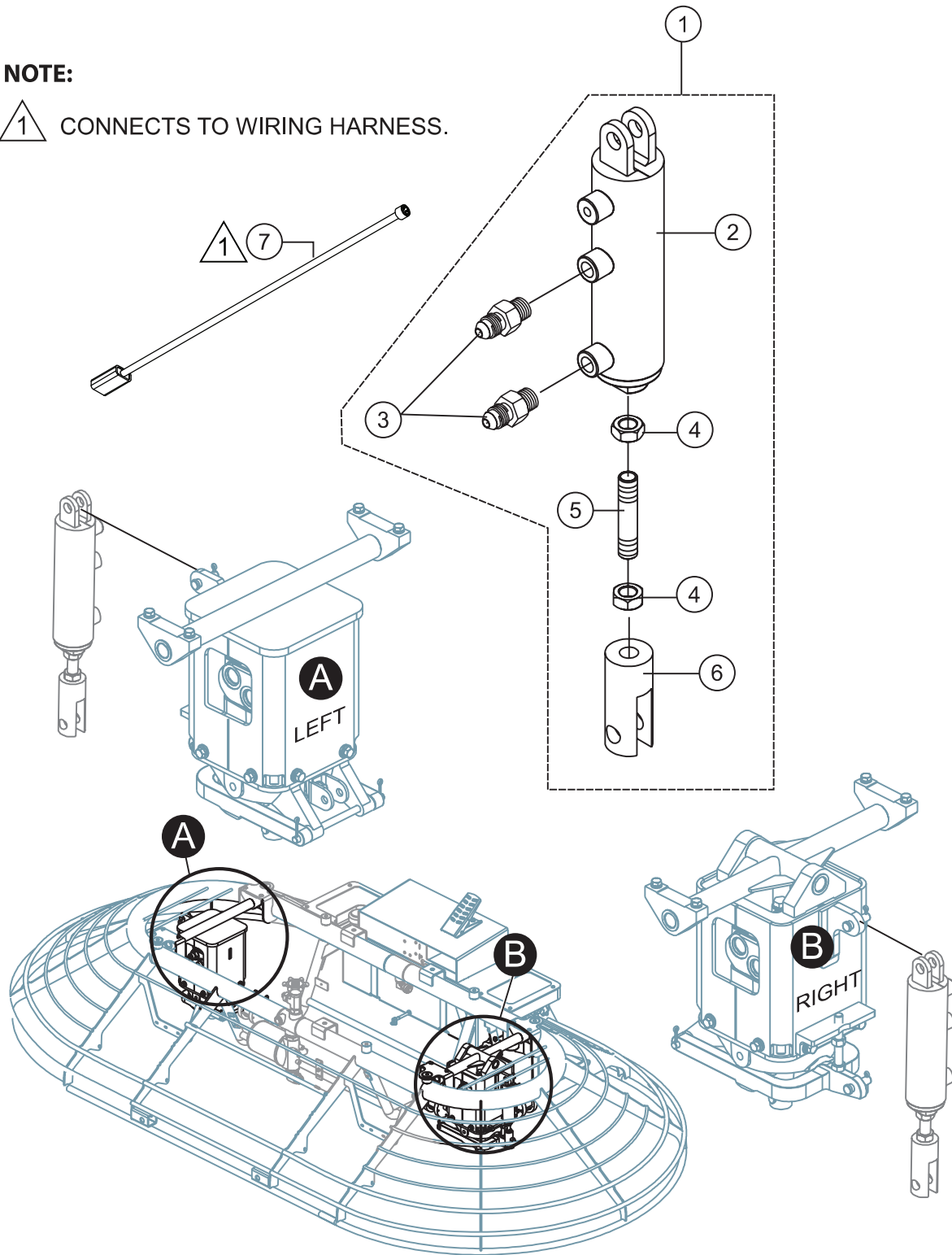
HYDRAULIC STEERING ASSY.

<u>NO.</u>	<u>PART NO.</u>	<u>PART NAME</u>	<u>QTY.</u>	<u>REMARKS</u>
1	20140	HYD. STEERING CYLINDER COMPLETE	3.....	INCLUDES ITEMS W/#
2#	11725	FITTING STR 6MJ-1/4 MP	6	
3#	11146	NUT, HEX JAM 1/2-20 PLATED	6	
4#	21944	ROD END, 1/2-20 M RH W/CUSTOM BALL	6	
5#	12056	CYL. 2.5" BORE X 1.5" STROKE X .75 ROD	3	
6	13178	SCREW, HHC 1/2-13 X 2 1/4 GR5	3	
7	10176	NUT, NYLOC 1/2-13	6	
8	12402	SCREW, HHC 1/2-13 X 2 1/2	3	

HYDRAULIC CYLINDER ASSY.

NOTE:

 1 CONNECTS TO WIRING HARNESS.



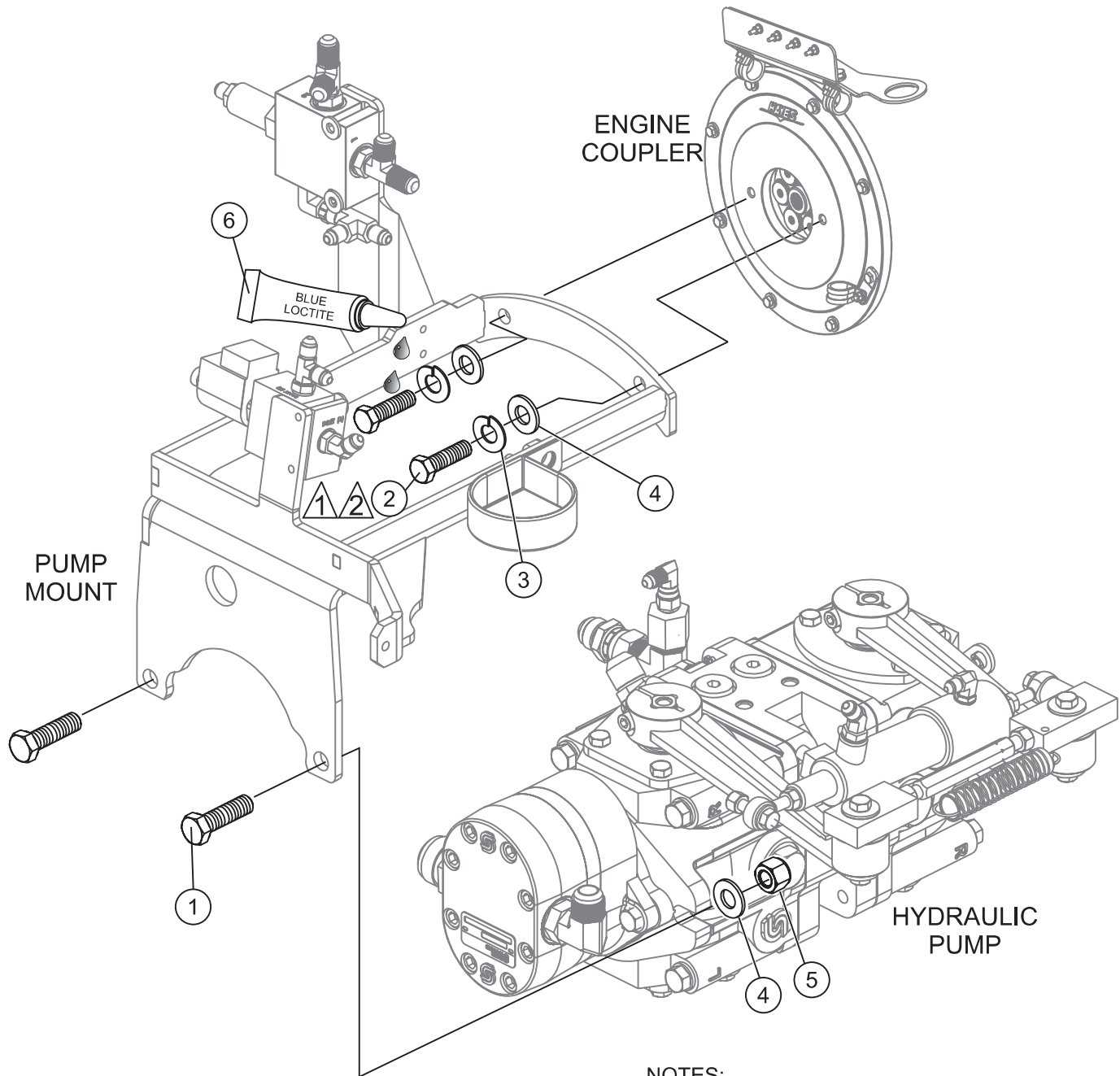
HYDRAULIC CYLINDER ASSY.

<u>NO.</u>	<u>PART NO.</u>	<u>PART NAME</u>	<u>QTY.</u>	<u>REMARKS</u>
1	22866	HYDRAULIC PITCH CYLINDER COMPLETE...2.....	2	INCLUDES ITEMS W/#
2#	22252	CYLINDER, POSITION PITCH 1.5 BORE	2	
3#	21095	FITTING, STR 4MJ-4MO	4	
4#	11146	NUT, HEX JAM 1/2-20 PLATED	4	
5#	22279	SCREW, SHS 1/2-20 X 2.50"	2	
6#	23956	CLEVIS	2	SERVICE PART FOR P/N 22866
7	22681	WIRE, ASSEMBLY, SMART CYL., PIGTAIL	2	

HYDRAULIC COOLER ASSY.

<u>NO.</u>	<u>PART NO.</u>	<u>PART NAME</u>	<u>QTY.</u>	<u>REMARKS</u>
1	22859	COOLER ASSY. COMPLETE	1.....	INCLUDES ITEMS W/#
2#	22746	SENSOR,TEMPERATURE-HYD OIL	1	
3#	20255	FITTING, STR 6MJ-3/8MP	1	
4#	22825	FITTING, STR 6FJ x 3/8MP	1	
5#	366735	FITTING, TEE 3/8FP-3/8FP-3/8FP	1	
6#	21985	FITTING, ORIFICE 6MJ-6MO x .078	1	
7#	21058	COOLER, OIL TH TRANSFER MF-30-2-4A	1	
8#	16609	FITTING, 45 12MJ - 12FJ	1	
9#	22114	FITTING, TEE 12MJ -12FJ -12MJ	2	
10#	22113	FITTING, 90 16MO - 12MJ	2	
11#	21060	FITTING, STR -24MO x -16FO	2	
12#	22799	FITTING, 90 12FJ x -12MJ	1	
13#	68224	FAN AND MOTOR ASSEMBLY	1.....	INCLUDES ITEMS W/\$
14#\$	12171	SEAL, WPACK 16-18	2	
15#\$	12179	TERMINAL, WPACK MALE 14-16GA	2	
16#\$	12176	CONNECTOR, W/PACK 2-PIN SHROUD	1	
17#\$	67991	FAN	1	
18	2691	SCREW, HHC 1/2-13 x 1	4	
19	10176	NUT, NYLOC 1/2-13	4	
20	5016 B	FITTING, PLUG 3/8MP HEX SKT HD	1	

PUMP MOUNTING BRACKET ASSY.



NOTES:

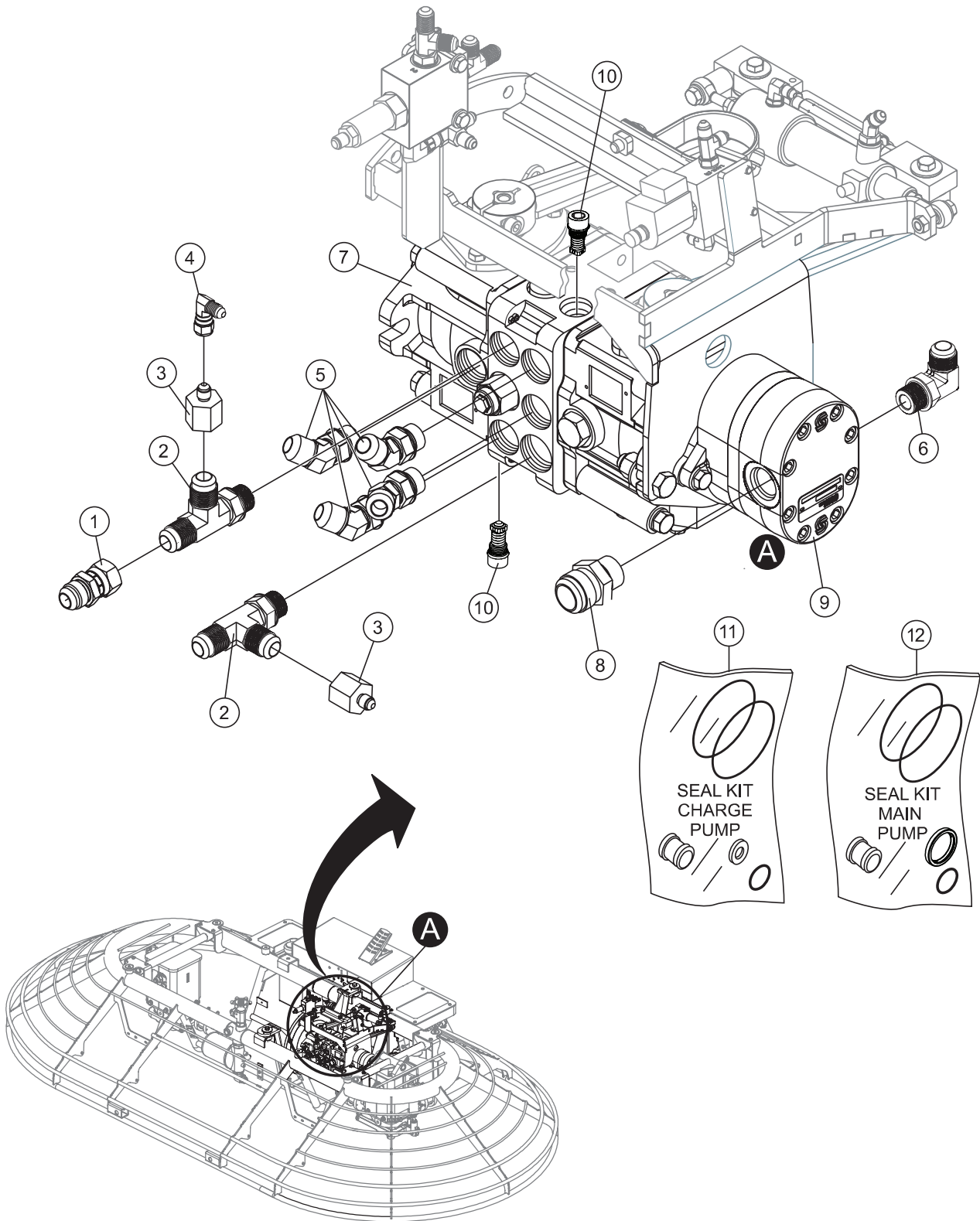
1 APPLY BLUE LOCTITE™

2 TORQUE TO 46 FT-LBS 62.3 N·m

PUMP MOUNTING BRACKET ASSY.

<u>NO.</u>	<u>PART NO.</u>	<u>PART NAME</u>	<u>QTY.</u>	<u>REMARKS</u>
1	3242	SCREW, HHC 1/2-13 X 1-3/4	2	
2	5218	SCREW, HHC 1/2-13 X 1 1/2	2	
3	12220	WASHER, LOCK 1/2 HIGH STRENGTH	2	
4	16630	WASHER, FLAT SAE 1/2 HIGH STRENGTH	4	
5	10176	NUT, NYLOC 1/2-13	2	
6	1477	LOCTITE™ 242 BLUE .5CC	1	

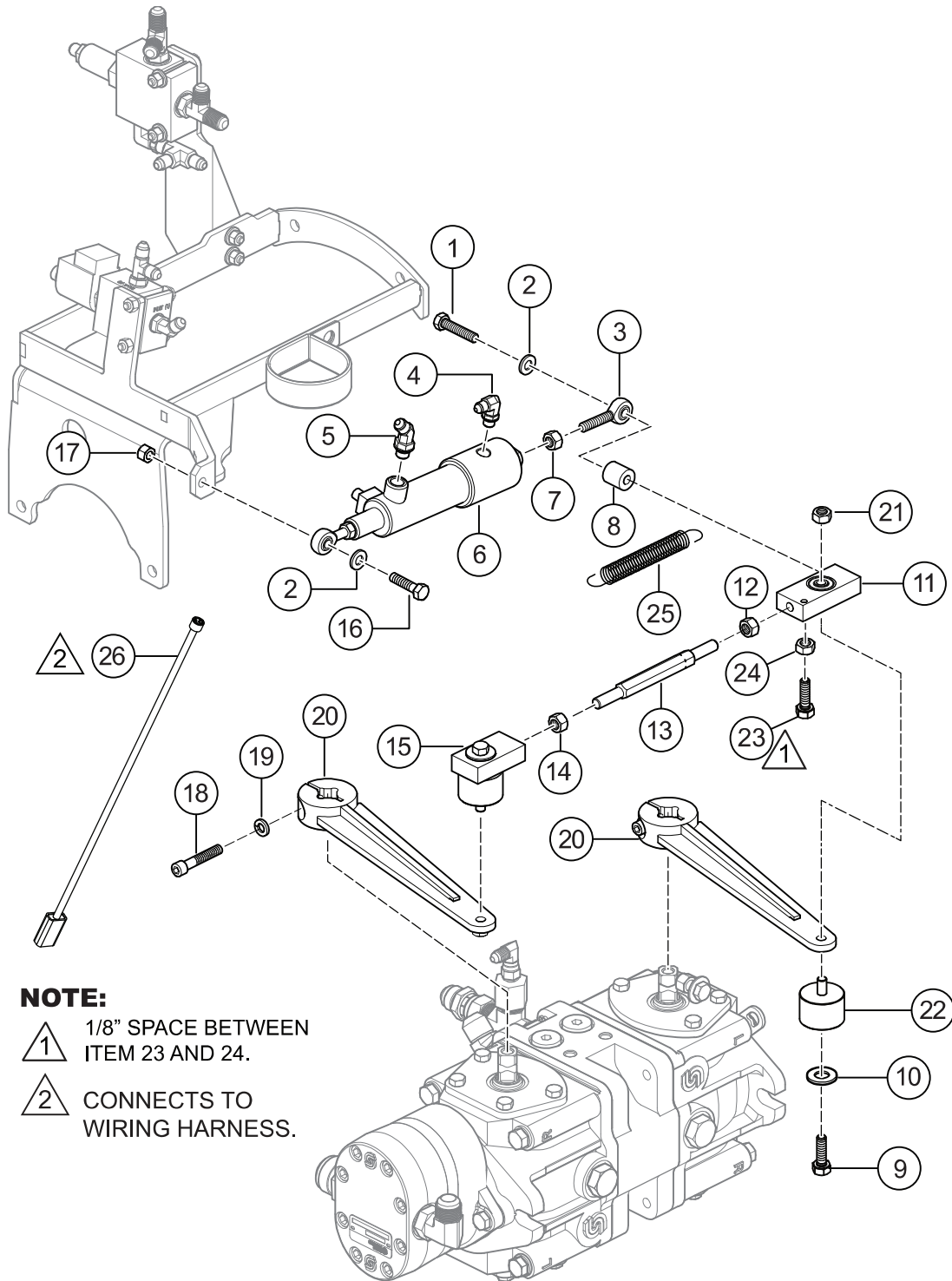
PUMP FITTINGS ASSY.



PUMP FITTINGS ASSY.

<u>NO.</u>	<u>PART NO.</u>	<u>PART NAME</u>	<u>QTY.</u>	<u>REMARKS</u>
1	21997	FITTING, STR -10FJ X -10MJ	1	
2	21093	FITTING, TEE 10MJ-10MJ-10MO RUN	2	
3	22791	FITTING, STR -10FJ x -4MJ REDUCER	2	
4	366640	FITTING, 90 4MJ - 4 FJ	1	
5	16336	FITTING, 45 10MJ-10MO	4	
6	3322	FITTING, 90 10MJ-10MO	1	
7	21287	PUMP ASSY, SAUER DANFOS M25	1.....	INCLUDES ITEM W/\$
8	22383	FITTING, STR 12MO x 16MJ	1	
9\$	32108	CHARGE PUMP, SAUER DANFOS	1	
10\$	22177	VALVE, PRESSURE RELIEF 300 BAR	2	
11	32112	SEAL KIT, CHARGE PUMP	1	
12	32114	SEAL KIT, MAIN PUMP	1.....	COMPLETE PUMP

PUMP LEVERS ASSY.



NOTE:

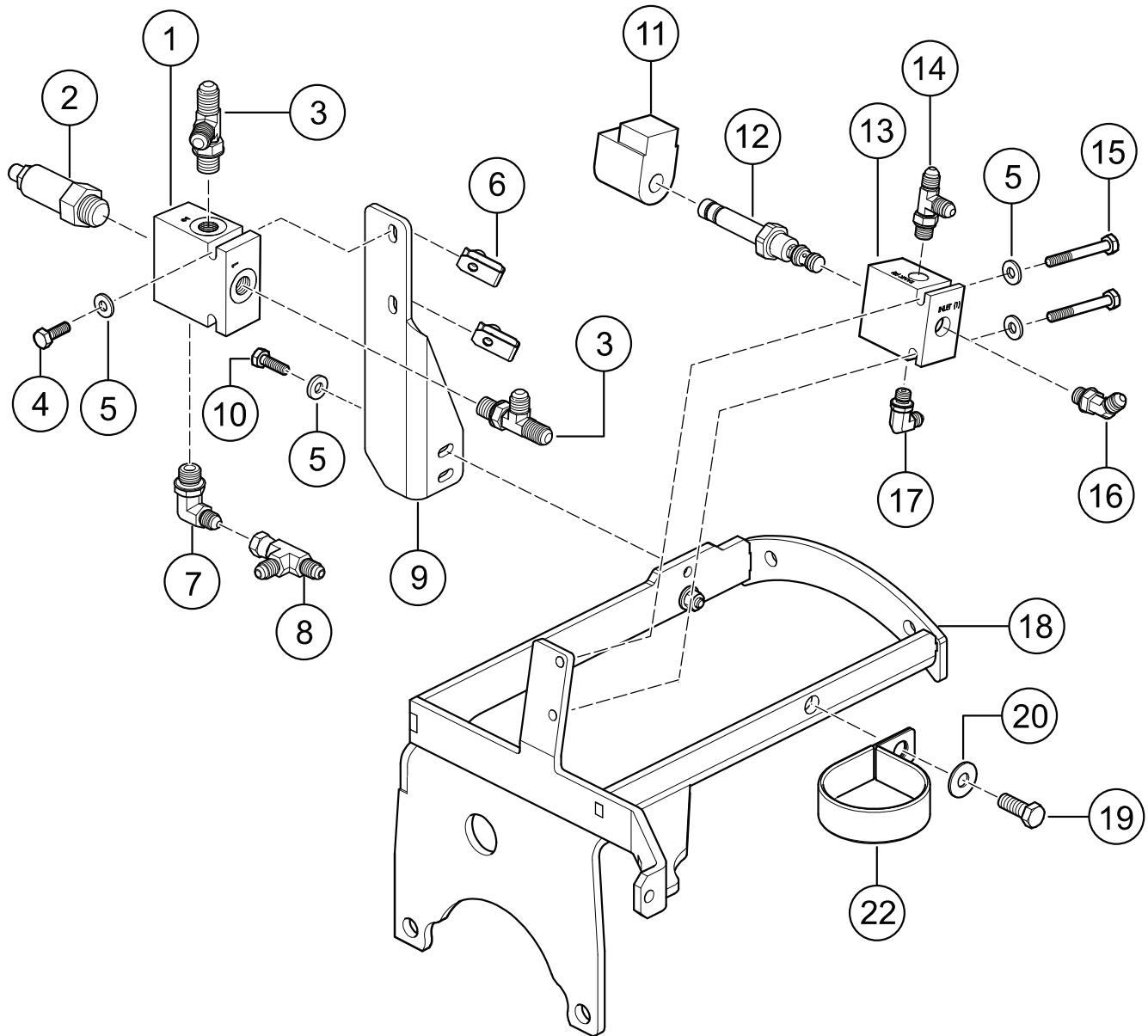
1 1/8" SPACE BETWEEN
ITEM 23 AND 24.

2 CONNECTS TO
WIRING HARNESS.

PUMP LEVERS ASSY.

<u>NO.</u>	<u>PART NO.</u>	<u>PART NAME</u>	<u>QTY.</u>	<u>REMARKS</u>
1	22024	SCREW, HHC 5/16-24 X 1-3/4 GR 5 ZINC	1	
2	0300 B	WASHER, FLAT SAE 5/16	3	
3	1723	ROD END, 5/16-24 MALE RH	2	
4	368817	FITTING, 90 4MU-4MO	2	
5	21159	FITTING, 45 4MJ-4MO	2	
6	32674	CYLINDER, PUMP STROKING #661563	1	
7	6014 C	NUT, HEX FINISH 5/16-24	2	
8	21391	SPACER, .75OD X .318ID X .75L	1	
9	2623	SCREW, HHC 5/16-18 X 1.25	2	
10	933213	WASHER, FENDER 5/16 X 1 ZINC	2	
11	22650	BEARING, BLOCK ASM PUMP CTRL RH-LG	1	
12	5023 B	NUT, HEX FINISH 3/8-24 PLAIN	1	
13	21301	ROD, PUMP ACTUATOR M25	1	
14	21342	NUT, HEX FINISH 3/8-24 PLAIN	1	
15	21267	BEARING BLOCK ASM., PUMP CTRL LH	1	
16	10181	SCREW, HHC 5/16-24 X 1-1/4	1	
17	2656	NUT, NYLOC 5/16-24	1	
18	0243	SCREW, SHC 5/16-18 X 1-3/4	2	
19	0161 C	WASHER, LOCK 5/16 MED	2	
20	21290	LEVER W/A, PUMP CONTROL M25	2	
21	0161 D	NUT, HEX FINISH 5/16-18	2	
22	21231	ISOLATOR PLATE STUD 5/16	2	
23	0131 A	SCREW, HHC 1/4-20 X X3/4	1	
24	07034-004	NUT, HEX JAM 1/4-20	1	
25	22716	SPRING, EXT. .75OD X 4.50" X .062	1	
26	22681	WIRE ASSEMBLY, SMART CYIL. PIGTAIL	1	

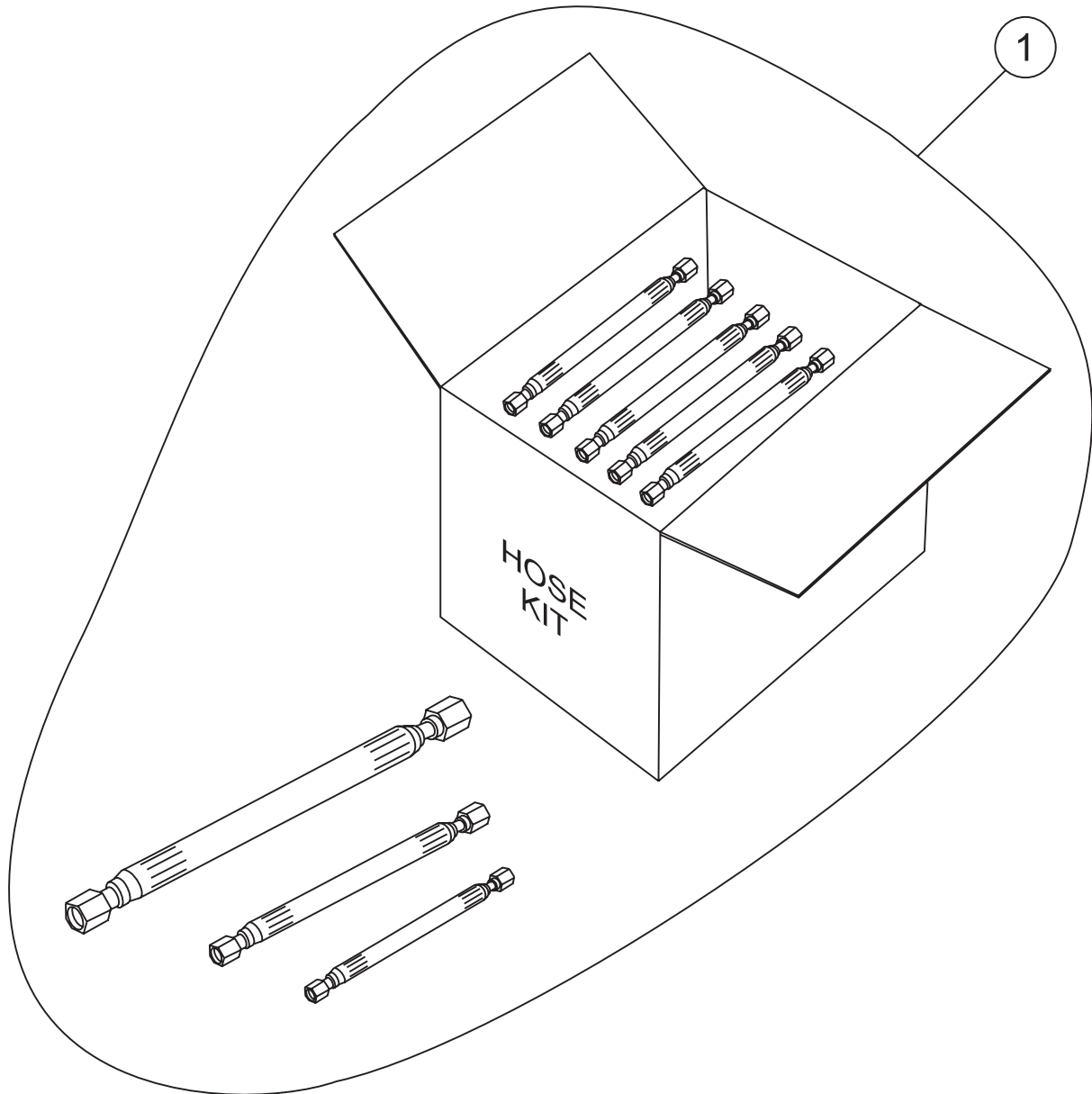
PUMP STROKER MOUNT ASSY.



PUMP STROKER MOUNT ASSY.

<u>NO.</u>	<u>PART NO.</u>	<u>PART NAME</u>	<u>QTY.</u>	<u>REMARKS</u>
1	22832	VALVE BODY, 3 PORT-CP 10-3-65	1	
2	22831	VALVE, PRESSURE REDUCING	1	
3	12159	FITTING, TEE 6MJ-6MJ-6MO RUN	2	
4	20909	SCREW, HHC 1/4-20 X 2	2	
5	0948	WASHER, FLAT SAE 1/4	6	
7	37407	FITTING, 4MJ X 6MO-90	1	
8	366690	FITTING, TEE RUN 4MJ-4MJ-4FJ	1	
9	22843	BRACKET, 3 PORT VALVE BODY	1	
10	0131 A	SCREW, HHC 1/4-20 X 1	2	
11	22283	COIL, STROKER VALVE	1	
12	22835	VALVE, PROP	1	
13	22285	BODY, VALVE-STROKER	1	
14	35157	FITTING, TEE 4MO-4MJ-4MJ RUN	1	
15	26250	SCREW, HHC 1/4-20 X 1-3/4	2	
16	21159	FITTING, 45 4MJ-4MO	1	
17	368817	FITTING, 90 4MJ-4MO	1	
18	22675	MOUNT, PUMP STROKER	1	
19	0205	SCREW, HHC 3/8-16 X 1.0	1	
20	10136	WASHER, FLAT SAE 3/8	1	
22	21349	CLAMP, HOSE 2.63 VINYL	1	

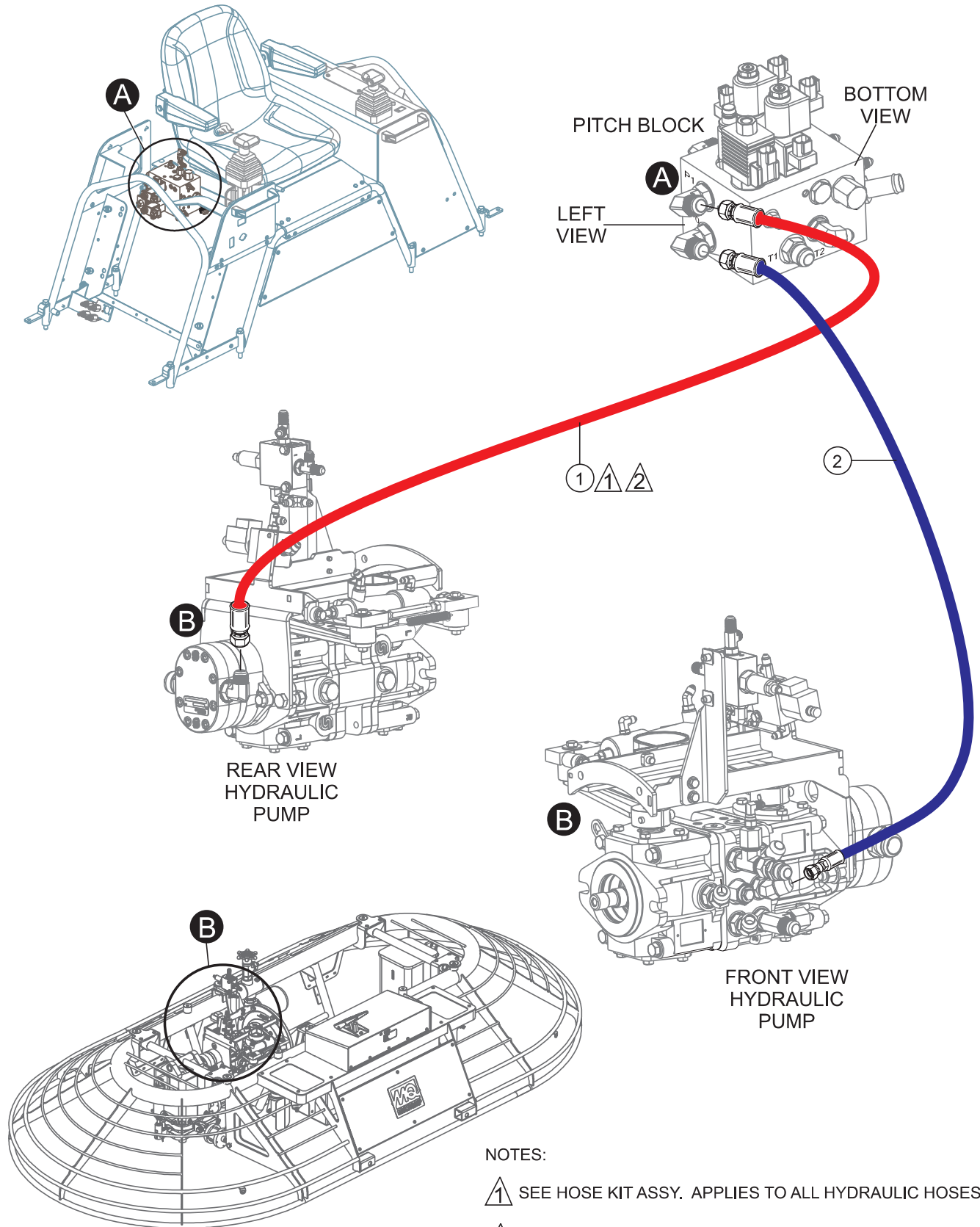
HYDRAULIC HOSE KIT ASSY. COMPLETE



HYDRAULIC HOSE KIT ASSY. COMPLETE

<u>NO.</u>	<u>PART NO.</u>	<u>PART NAME</u>	<u>QTY.</u>	<u>REMARKS</u>
1	22373	HOSE KIT ASSY.....	1.....	INCLUDES ITEMS BELOW
	21076	HOSE ASM, 1/2 ID x 29.50" STR ENDS	1	
	22390	HOSE ASM, 5/8 ID x 79.50"-12FJ STR ENDS	1	
	21334	HOSE ASM, 1/2 ID x 26.50" STR ENDS	1	
	22391	HOSE ASM, 5/8 ID x 55.50" STR AND 45° ENDS	1	
	22392	HOSE ASM, 5/8 ID x 18.50" 12-90 AND 12FJ-STR END	1	
	22394	HOSE ASM, 1/4 ID x 16.25" STR ENDS	2	
	22396	HOSE ASM, 1/4 ID x 98.50"-4FJ STR ENDS	2	
	22403	HOSE ASM, 5/8 ID x 22.00" 45° BOTH ENDS	1	
	22423	HOSE ASM, 1/4 ID x 53.50"-4FJ STR ENDS	2	
	22424	HOSE ASM, 3/4 ID x 38.00" MEGAVAC	1	
	22425	HOSE ASM, 1/2 ID x 22.50" STR ENDS	1	
	22427	HOSE ASM, 3/8 ID x 45.50"-6FJ STR ENDS	2	
	21995	HOSE ASM, 3/8 ID x 40.50" STR ENDS	1	
	22428	HOSE ASM, 3/8 ID x 42.00"-6FJ STR ENDS	3	
	22911	HOSE ASM, 3/8 ID x 23.00"-6STR AND -6 90° FJ ENDS	1	
	21695	HOSE ASM, 3/8 ID x 40.00" STR AND LG 90° ENDS	2	
	21771	HOSE ASM, 3/8 ID x 11.50" STR ENDS	1	
	22430	HOSE ASM, 5/8 ID x 22.0" STR ENDS-PUSHLOC	1	
	22475	HOSE ASM, 1/4 ID x 10.00" STR ENDS	1	
	22476	HOSE ASM, 1/4 ID x 8.00" STR ENDS	1	
	22477	HOSE ASM, 1/4 ID x 24" STR AND 90° ENDS	1	
	22478	HOSE ASM, 1/4 ID x 22.50" STR ENDS	1	
	21816	HOSE ASM, 1.00" ID x 29.00" STR AND 45 ENDS	1	
	22694	HOSE ASM, 3/8 ID x 20.50" STR AND 90° ENDS	2	
	22836	HOSE ASM, 1/4 ID x 11.0" STR AND 90° ENDS	1	
	22837	HOSE ASM, 1/4 ID x 13.5" STR AND 90° ENDS	1	
	22838	HOSE ASM, 1/4 ID x 22.0" STR AND 90° ENDS	1	
	22771	HOSE ASM, 5/8 ID x 19" STR ENDS	2	

HYDRAULIC HOSE ASSY. (PITCH BLOCK PORTS P0-P1)



NOTES:

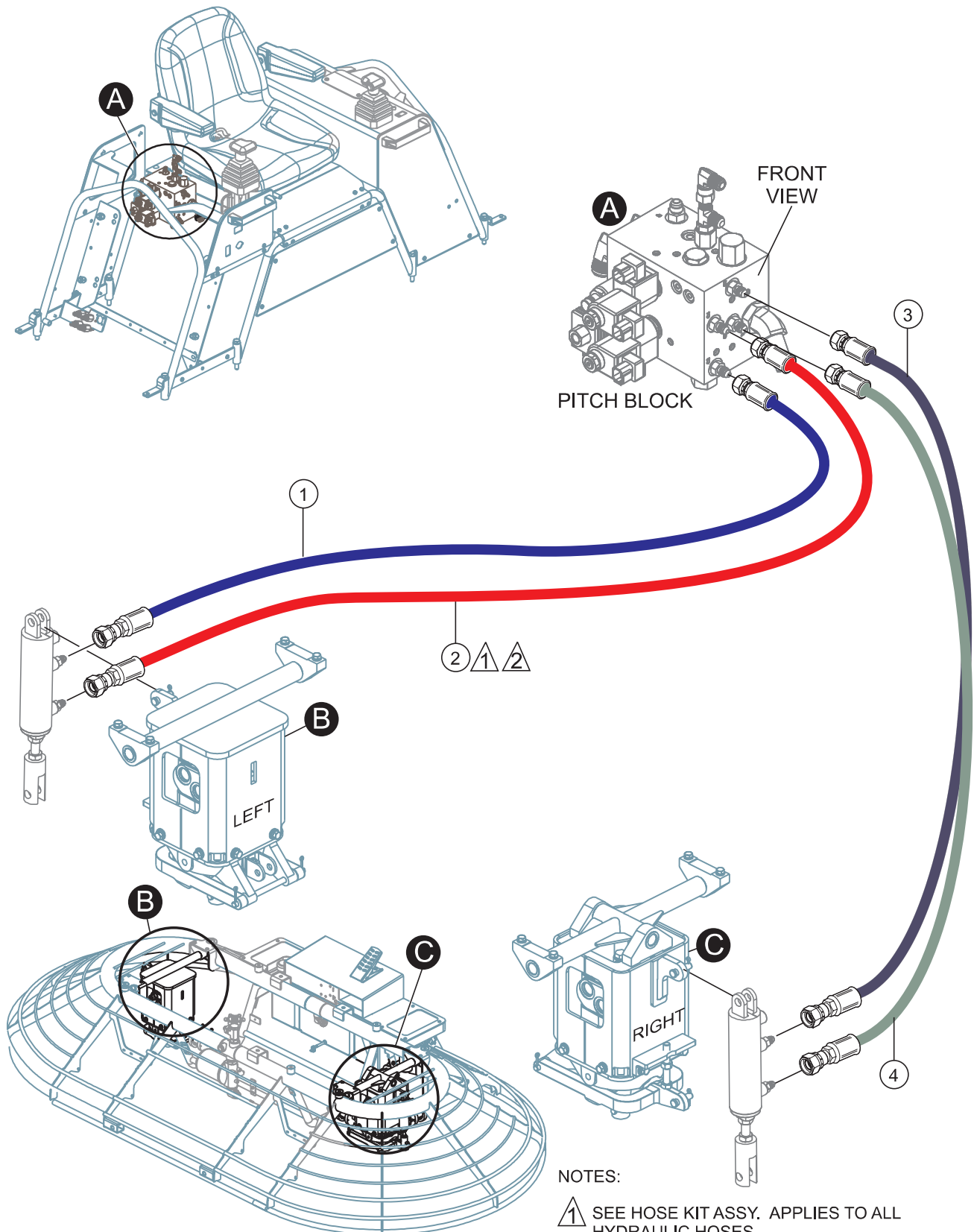
 SEE HOSE KIT ASSY. APPLIES TO ALL HYDRAULIC HOSES.

 HOSE COLORS SHOWN FOR CLARITY ONLY.

HYDRAULIC HOSE ASSY. (PITCH BLOCK PORTS P0-P1)

<u>NO.</u>	<u>PART NO.</u>	<u>PART NAME</u>	<u>QTY.</u>	<u>REMARKS</u>
1	21076	HOSE ASM,1/2 ID x 29.50" STR ENDS	1	
2	21334	HOSE ASM,1/2 ID x 26.50" STR ENDS	1	

HYDRAULIC HOSE ASSY. (PITCH BLOCK PORTS C1~C4)



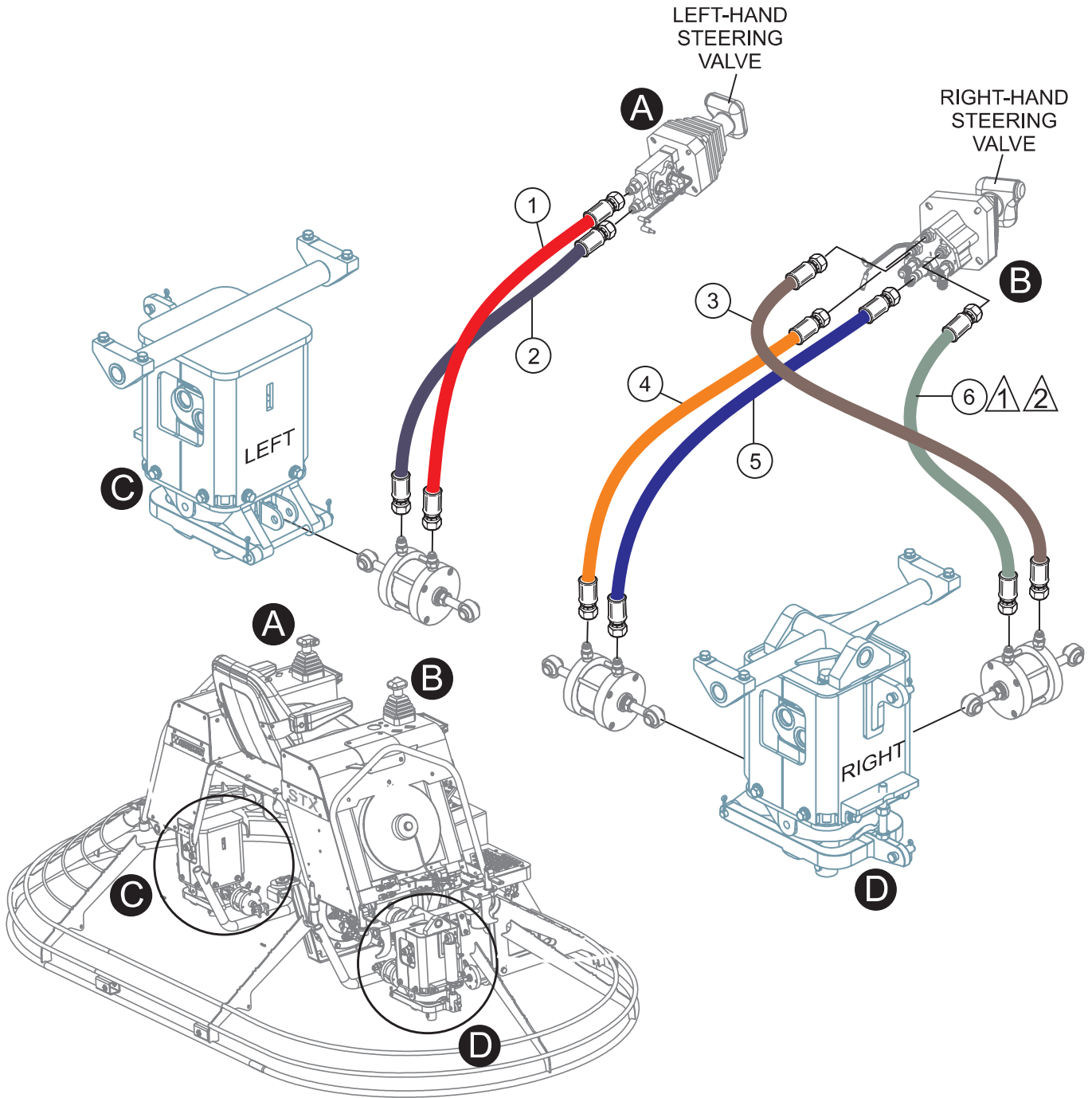
NOTES:

- ① SEE HOSE KIT ASSY. APPLIES TO ALL HYDRAULIC HOSES.
- ② HOSE COLORS SHOWN FOR CLARITY ONLY.

HYDRAULIC HOSE ASSY. (PITCH BLOCK PORTS C1~C4)

<u>NO.</u>	<u>PART NO.</u>	<u>PART NAME</u>	<u>QTY.</u>	<u>REMARKS</u>
1	22396	HOSE ASM, 1/4 ID x 98.50"-4FJ STR ENDS	1	
2	22396	HOSE ASM, 1/4 ID x 98.50"-4FJ STR ENDS	1	
3	22423	HOSE ASM, 1/4 ID x 53.50"-4FJ STR ENDS	1	
4	22423	HOSE ASM, 1/4 ID x 53.50"-4FJ STR ENDS	1	

HYDRAULIC HOSE ASSY. (LH-RH STEERING VALVES #1)



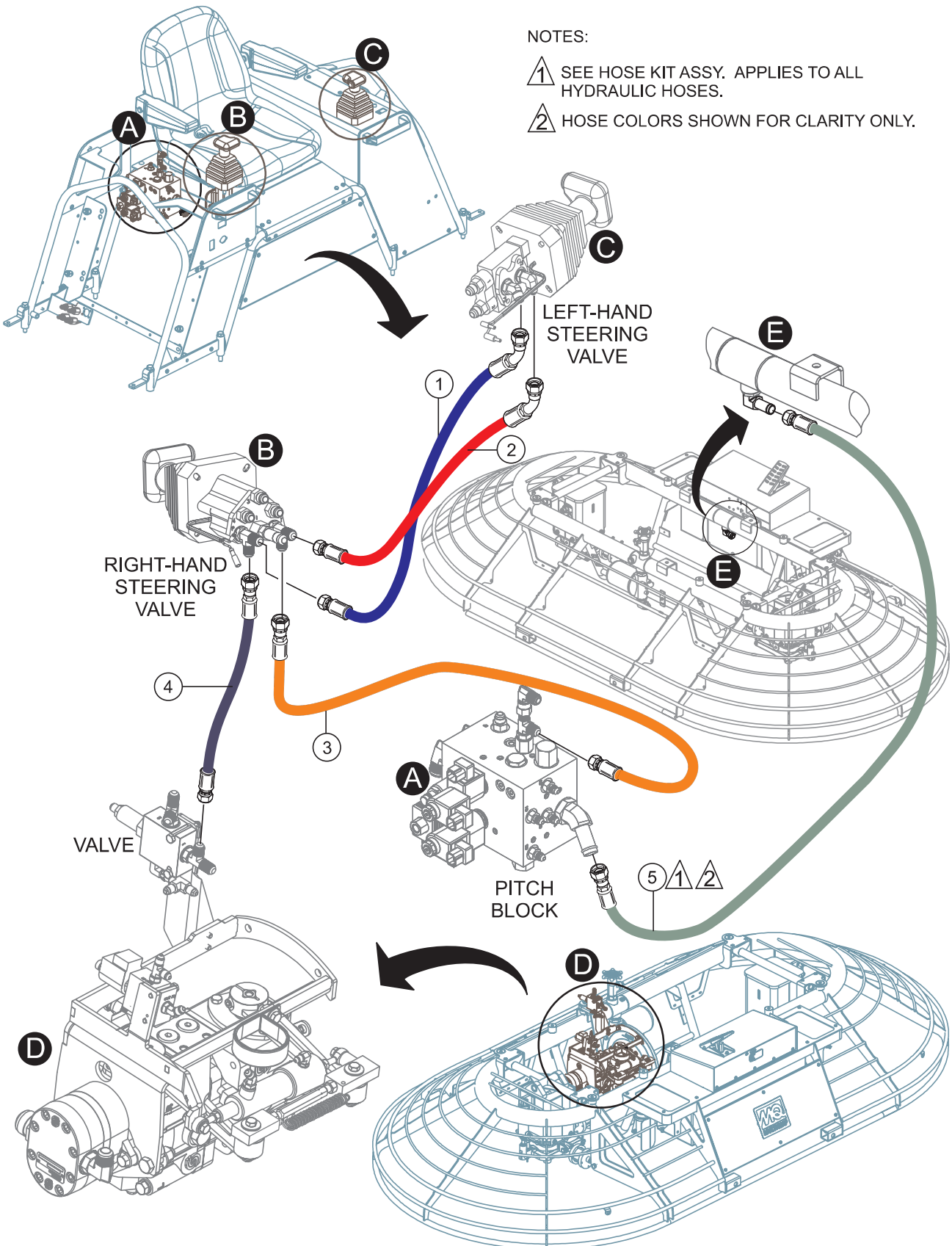
NOTES:

- ▲ 1 SEE HOSE KIT ASSY. APPLIES TO ALL HYDRAULIC HOSES.
- ▲ 2 HOSE COLORS SHOWN FOR CLARITY ONLY.

HYDRAULIC HOSE ASSY. (LH-RH STEERING VALVES #1)

<u>NO.</u>	<u>PART NO.</u>	<u>PART NAME</u>	<u>QTY.</u>	<u>REMARKS</u>
1	22427	HOSE ASM, 3/8 ID x 45.50"-6FJ STR ENDS	1	
2	22427	HOSE ASM, 3/8 ID x 45.50"-6FJ STR ENDS	1	
3	22428	HOSE ASM, 3/8 ID x 42.00"-6FJ STR ENDS	1	
4	22428	HOSE ASM, 3/8 ID x 42.00"-6FJ STR ENDS	1	
5	21995	HOSE ASM, 3/8 ID x 40.50" STR ENDS	1	
6	22428	HOSE ASM, 3/8 ID x 42.00"-6FJ STR ENDS	1	

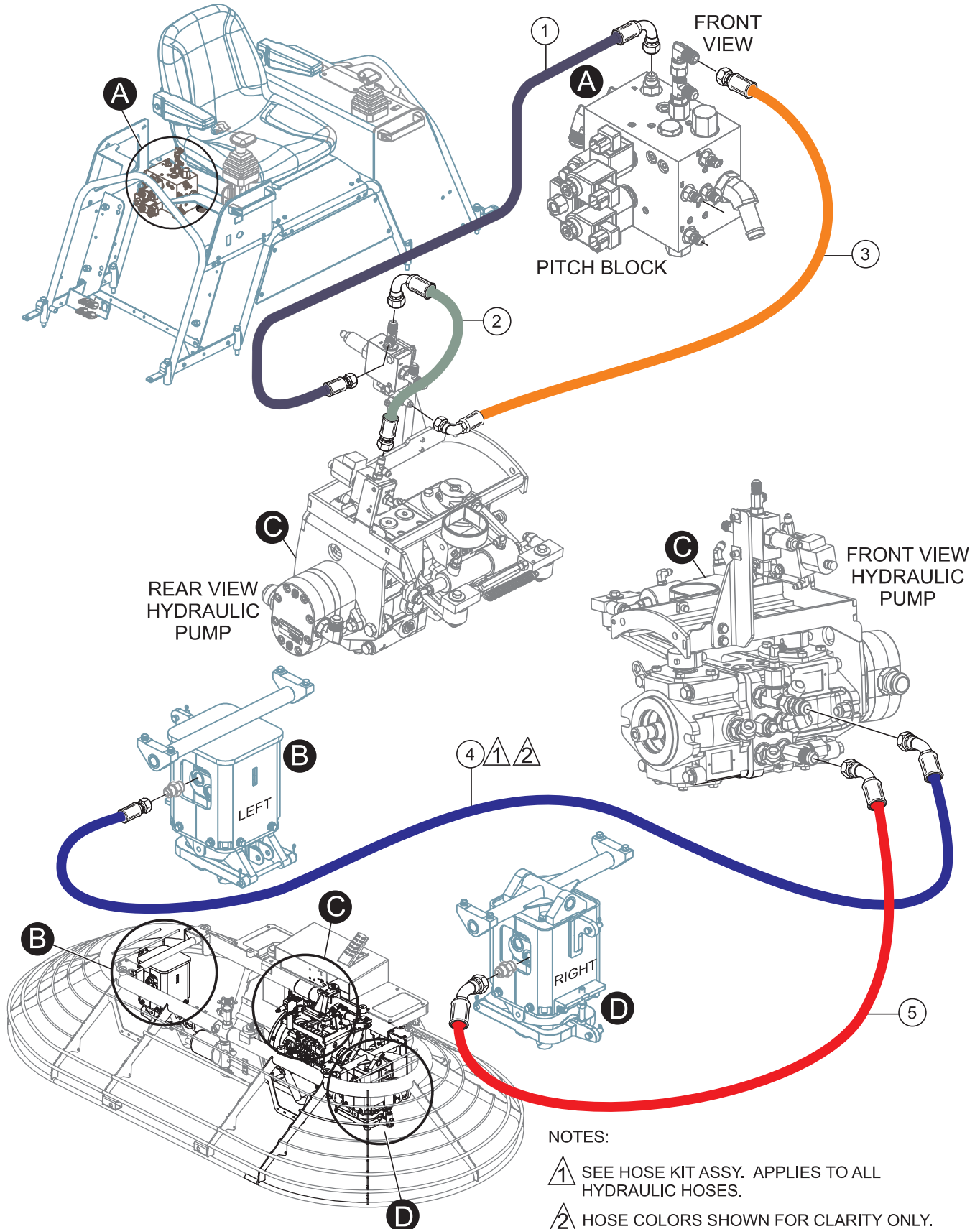
HYDRAULIC HOSE ASSY. (LH-RH STEERING VALVES #2)



HYDRAULIC HOSE ASSY. (LH-RH STEERING VALVES #2)

<u>NO.</u>	<u>PART NO.</u>	<u>PART NAME</u>	<u>QTY.</u>	<u>REMARKS</u>
1	21695	HOSE ASM, 3/8 ID x 40.00" STR AND LG 90° ENDS	1	
2	21695	HOSE ASM, 3/8 ID x 40.00" STR AND LG 90° ENDS	1	
3	21771	HOSE ASM, 3/8 ID x 11.50" STR ENDS	1	
4	22694	HOSE ASM, 3/8 ID x 20.50" STR AND 90° ENDS	1	
5	22424	HOSE ASM, 3/4 ID x 38.00" MEGAVAC	1	

HYD. HOSE ASSY. (PITCH BLOCK PORTS SP-T3/HYD. MOTOR)



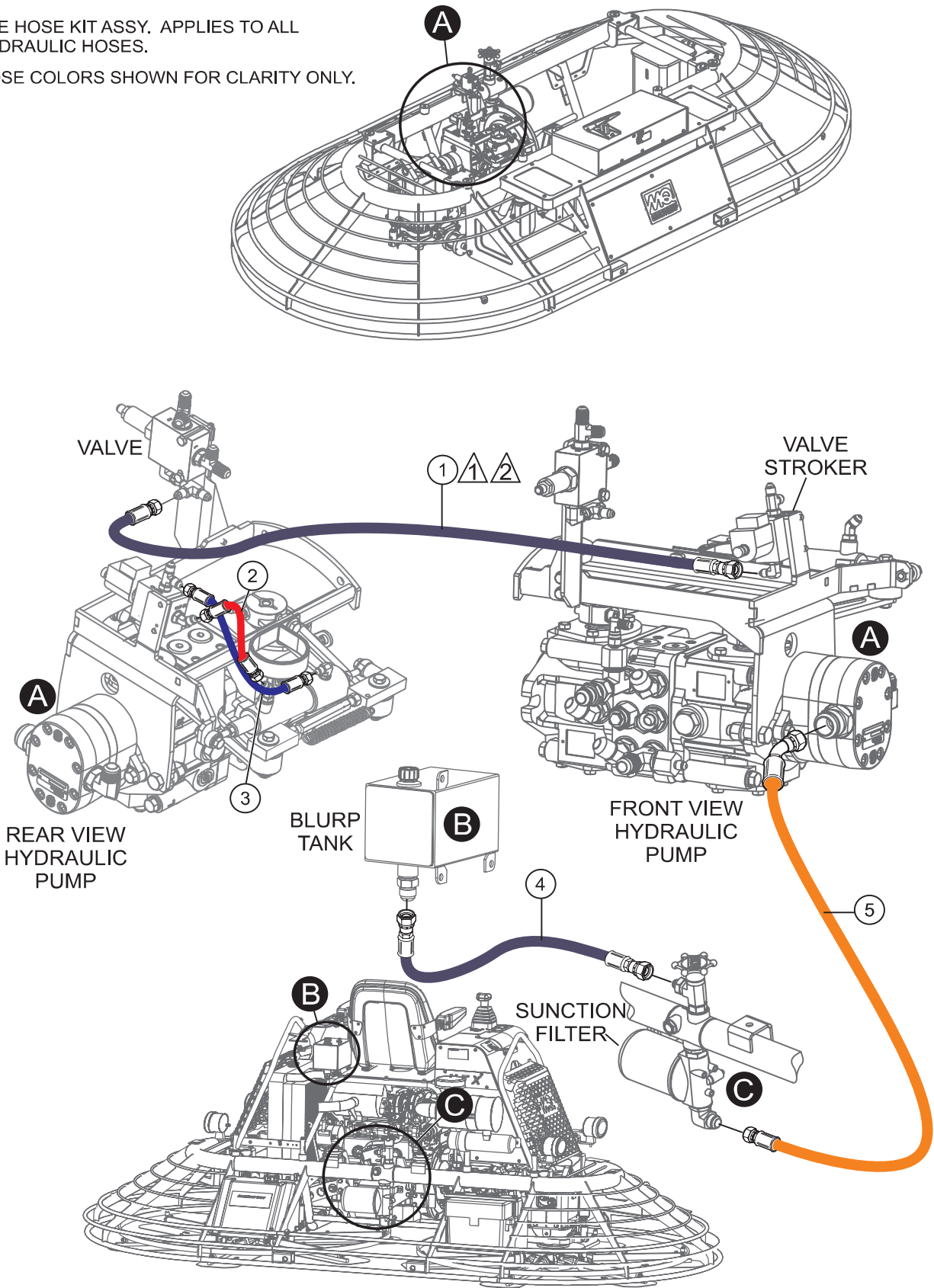
HYD. HOSE ASSY. (PITCH BLOCK PORTS SP-T3/HYD. MOTOR)

<u>NO.</u>	<u>PART NO.</u>	<u>PART NAME</u>	<u>QTY.</u>	<u>REMARKS</u>
1	22911	HOSE ASM, 3/8 ID x 23.00"-6STR AND-6 90°FJ ENDS	1	
2	22837	HOSE ASM, 1/4 ID x 13.5" STR AND 90° ENDS	1	
3	22477	HOSE ASM, 1/4 ID x 24" STR AND 90° ENDS	1	
4	22391	HOSE ASM, 5/8 ID x 55.50" STR AND 45° ENDS	1	
5	22403	HOSE ASM, 5/8 ID x 22.00" 45° BOTH ENDS	1	

HYD. HOSE ASSY. (BURP TANK/SUNCTION FILTER/VALVES)

NOTES:

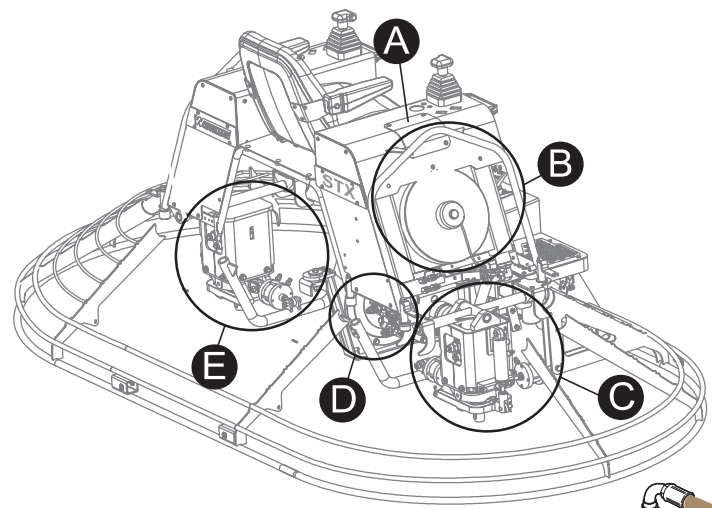
- ① SEE HOSE KIT ASSY. APPLIES TO ALL HYDRAULIC HOSES.
- ② HOSE COLORS SHOWN FOR CLARITY ONLY.



HYD. HOSE ASSY. (BURP TANK/SUNCTION FILTER/VALVES)

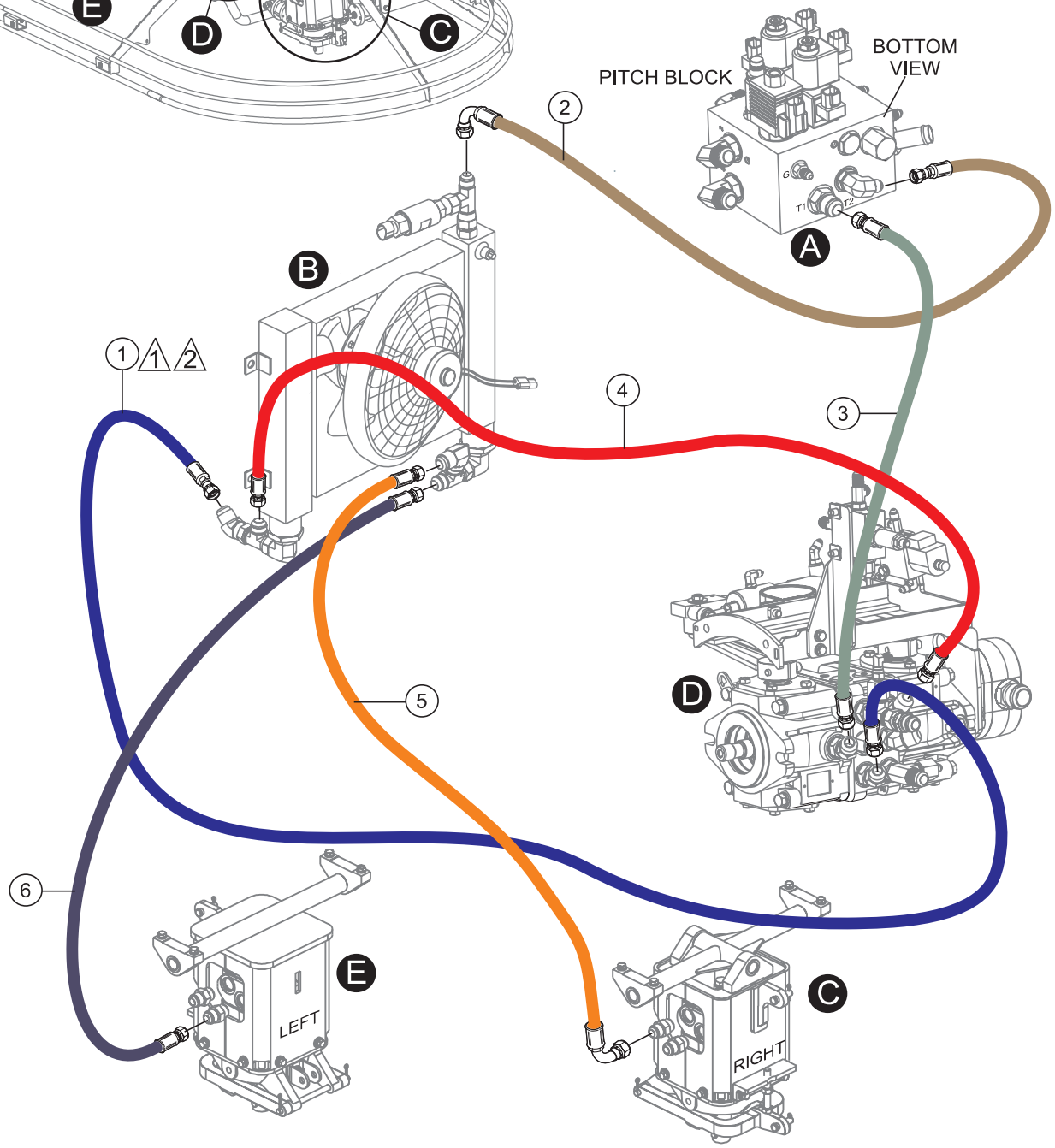
<u>NO.</u>	<u>PART NO.</u>	<u>PART NAME</u>	<u>QTY.</u>	<u>REMARKS</u>
1	22836	HOSE ASM, 1/4 ID x 11.0" STR AND 90° ENDS	1	
2	22476	HOSE ASM, 1/4 ID x 8.00" STR ENDS	1	
3	22475	HOSE ASM, 1/4 ID x 10.00" STR ENDS	1	
4	22430	HOSE ASM, 5/8 ID x 22.0" STR ENDS-PUSH LOC	1	
5	21816	HOSE ASM, 1.00" ID x 29.00" STR AND 45 ENDS	1	

HYDRAULIC HOSE ASSY. (PITCH BLOCK/COOLER/ PUMP)



NOTES:

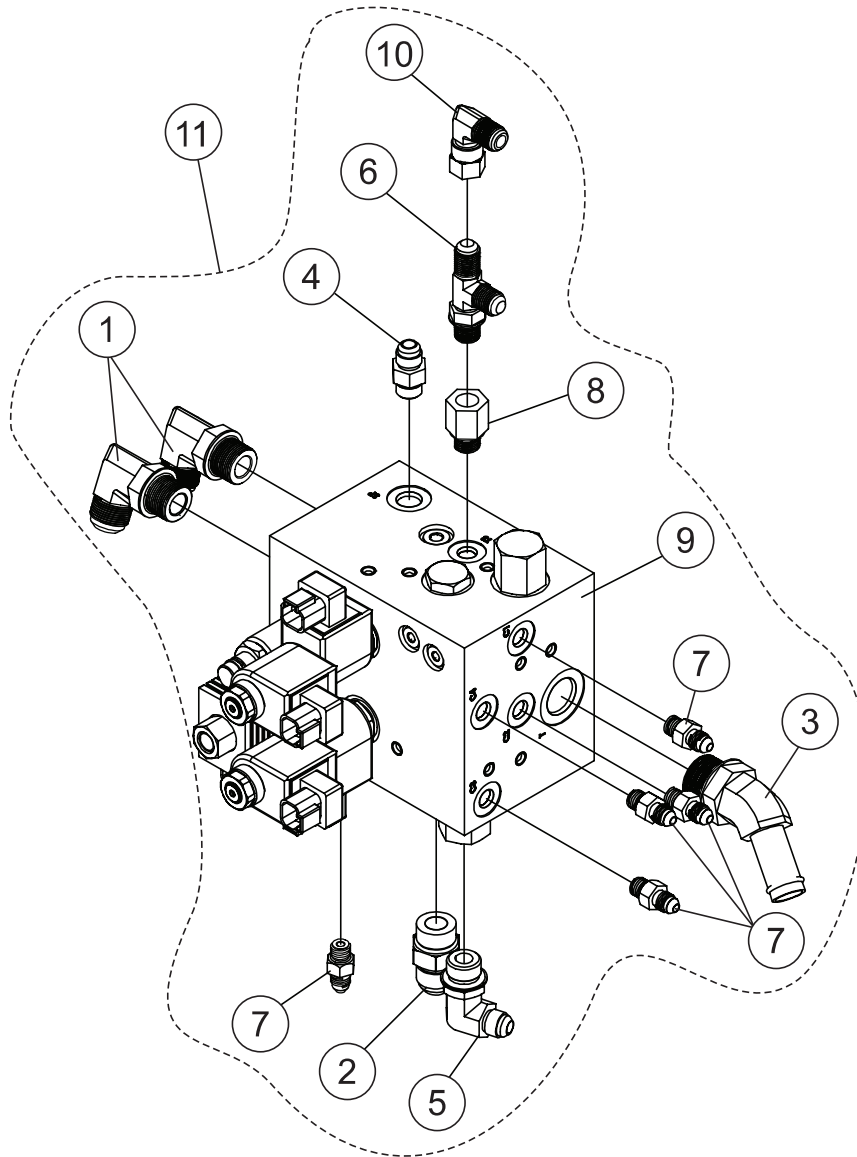
- ① SEE HOSE KIT ASSY. FIGURE. APPLIES TO ALL HYDRAULIC HOSES.
- ② HOSE COLORS SHOWN FOR CLARITY ONLY.



HYDRAULIC HOSE ASSY. (PITCH BLOCK/COOLER/ PUMP)

<u>NO.</u>	<u>PART NO.</u>	<u>PART NAME</u>	<u>QTY.</u>	<u>REMARKS</u>
1	22771	HOSE ASM, 5/8 ID x 19" STR ENDS	1	
2	22694	HOSE ASM, 3/8 ID x 20.50" STR&90° ENDS	1	
3	22425	HOSE ASM, 1/2 ID x 22.50" STR ENDS	1	
4	22771	HOSE ASM, 5/8 ID x 19" STR ENDS	1	
5	22392	HOSE ASM, 5/8 ID x 18.50" 12-90 AND 12FJ-STR END	1	
6	22390	HOSE ASM, 5/8 ID x 79.50"-12FJ STR ENDS	1	

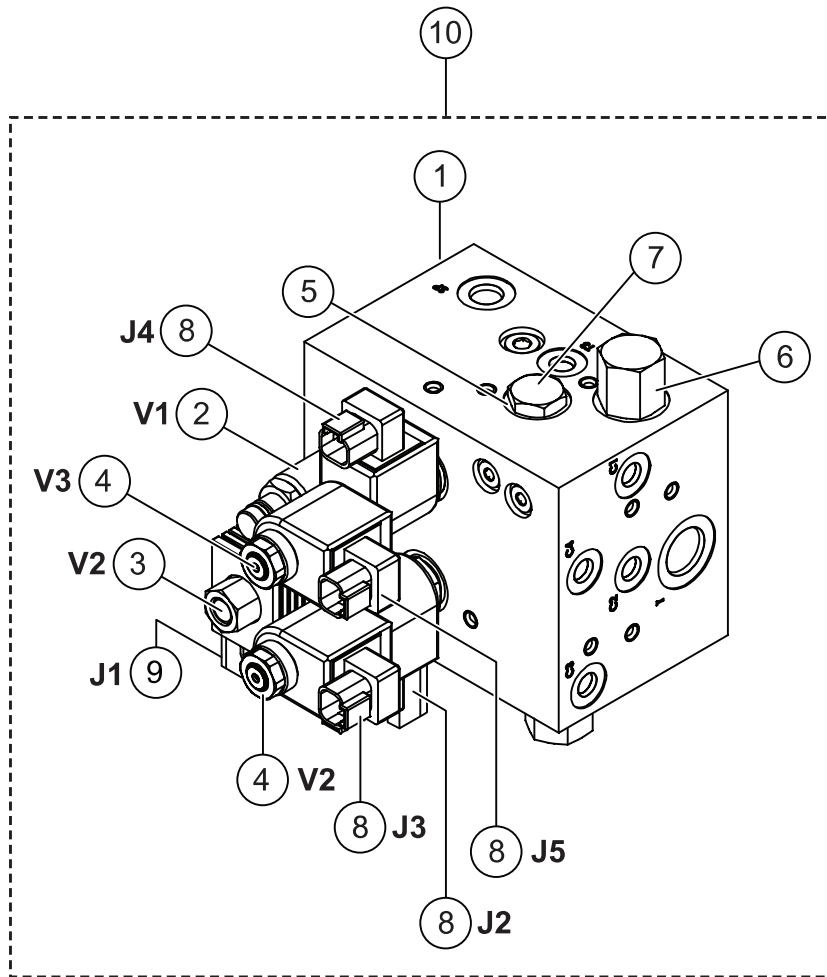
PITCH BLOCK ASSY. (FITTINGS)



PITCH BLOCK ASSY. (FITTINGS)

<u>NO.</u>	<u>PART NO.</u>	<u>PART NAME</u>	<u>QTY.</u>	<u>REMARKS</u>
1\$	3322	FITTING, 90 10MJ-10MO	2	
2\$	3365	FITTING, STR 10MJ-10MO	1	
3\$	3366	FITTING, 45 12BARB-12MO	1	
4\$	11721	FITTING, STR 6MJ-6MO	1	
5\$	11723	FITTING, 90 6MJ-8MO	1	
6\$	12159	FITTING, TEE 6MJ-6MJ-6MO RUN	1	
7\$	21095	FITTING, STR 4MJ - 4MO	5	
8\$	21114	FITTING, STR 6FO-6MO	1	
9\$	22233	VALVE, ASSY., PITCH BLOCK	1	
10\$	26798	FITTING, 90 6MJ-6FJ	1	
11	22860	PITCH BLOCK ASSY.....	1.....	INCLUDES ITEMS W/ \$

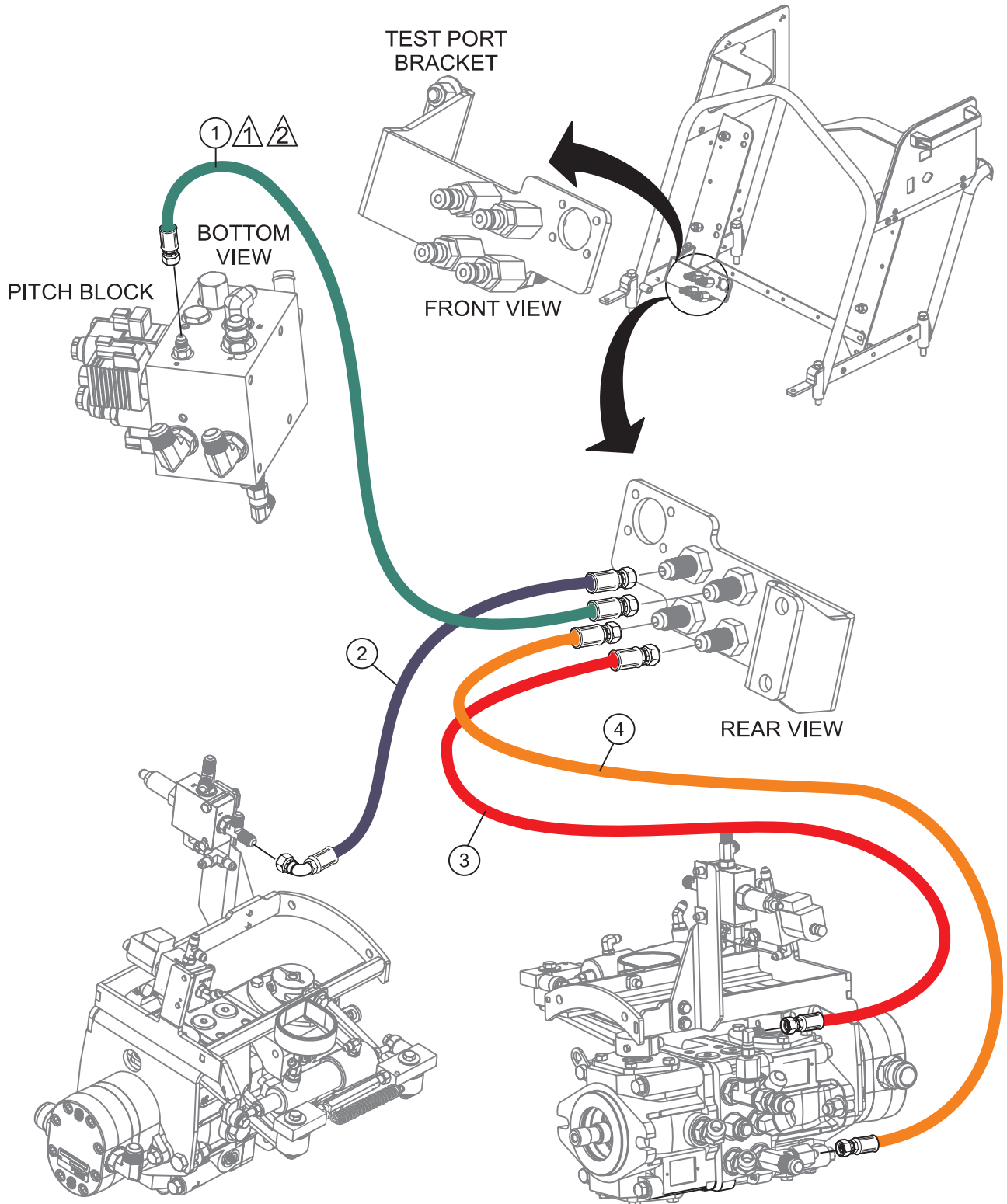
PITCH BLOCK ASSY. (VALVES)



PITCH BLOCK ASSY. (VALVES)

<u>NO.</u>	<u>PART NO.</u>	<u>PART NAME</u>	<u>QTY.</u>	<u>REMARKS</u>
1\$		BODY	1.....	NOT SERVICED SEPARATELY
2\$	22233-7	RELIEF VALVE	1	
3\$	22233-1	BYPASS VALVE	1	
4\$	22233-3	PITCH VALVE	2	
5\$	22233-5	CHECK VALVE	2	
6\$	22233-6	FLOW CONTROL VALVE	2	
7\$		PISTON.....	2.....	NOT SERVICED SEPARATELY
8\$	22233-4	SOLENOID, PITCH VALVE	4	
9\$	22233-2	SOLENOID, BYPASS VALVE	1	
10	22233	PITCH BLOCK ASSY.....	1.....	INCLUDES ITEMS W/\$

HYDRAULIC TEST PORT HOSES ASSY.



NOTES:

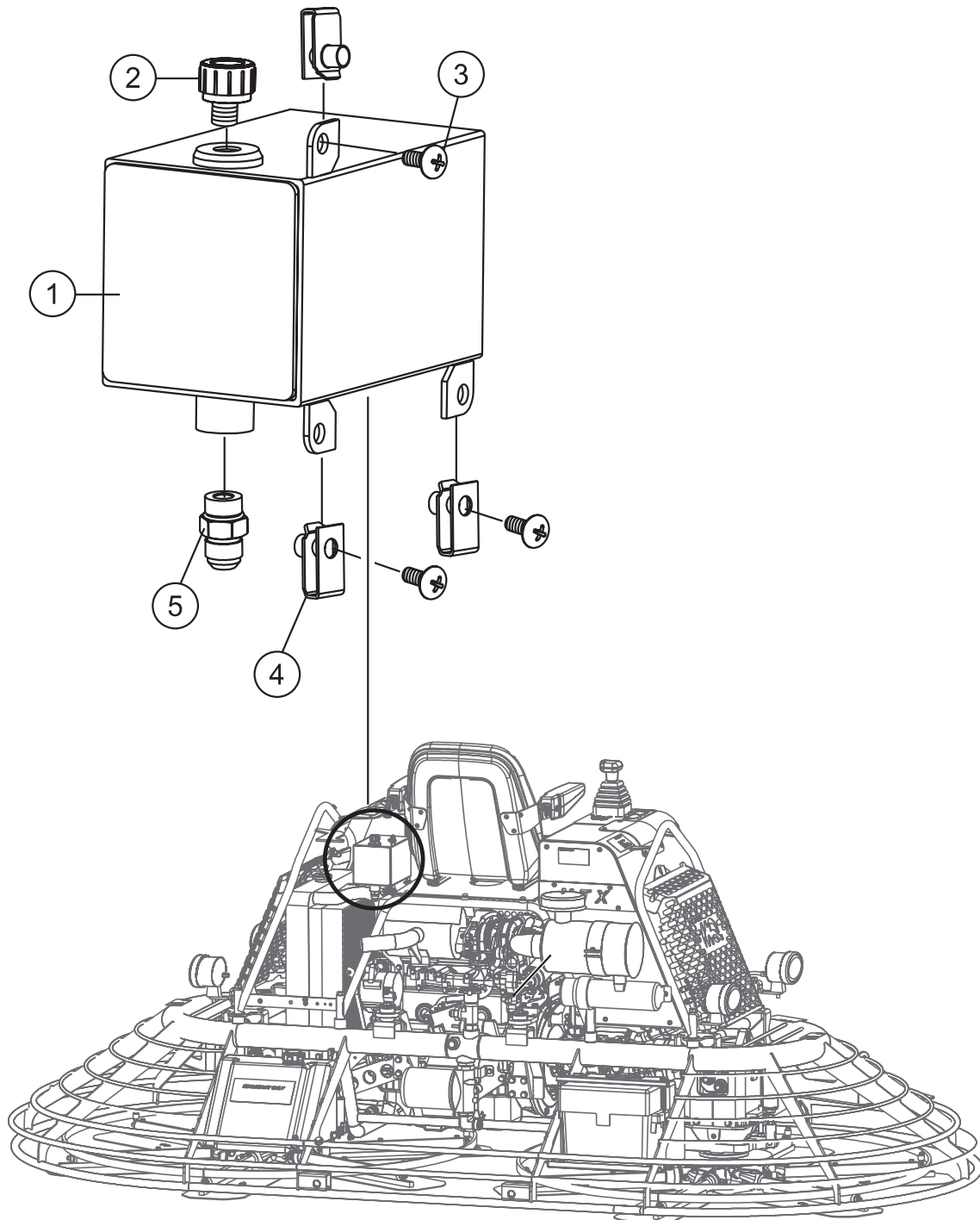
① SEE HOSE KIT ASSY. APPLIES TO ALL HYDRAULIC HOSES.

② HOSE COLORS SHOWN FOR CLARITY ONLY.

HYDRAULIC TEST PORT HOSES ASSY.

<u>NO.</u>	<u>PART NO.</u>	<u>PART NAME</u>	<u>QTY.</u>	<u>REMARKS</u>
1	22478	HOSE ASM, 1/4 ID x 22.50" STR ENDS	1	
2	22838	HOSE ASM, 1/4 ID x 22.0" STR AND 90° ENDS	1	
3	22394	HOSE ASM, 1/4 ID x 16.25" STR ENDS	1	
4	22394	HOSE ASM, 1/4 ID x 16.25" STR ENDS	1	

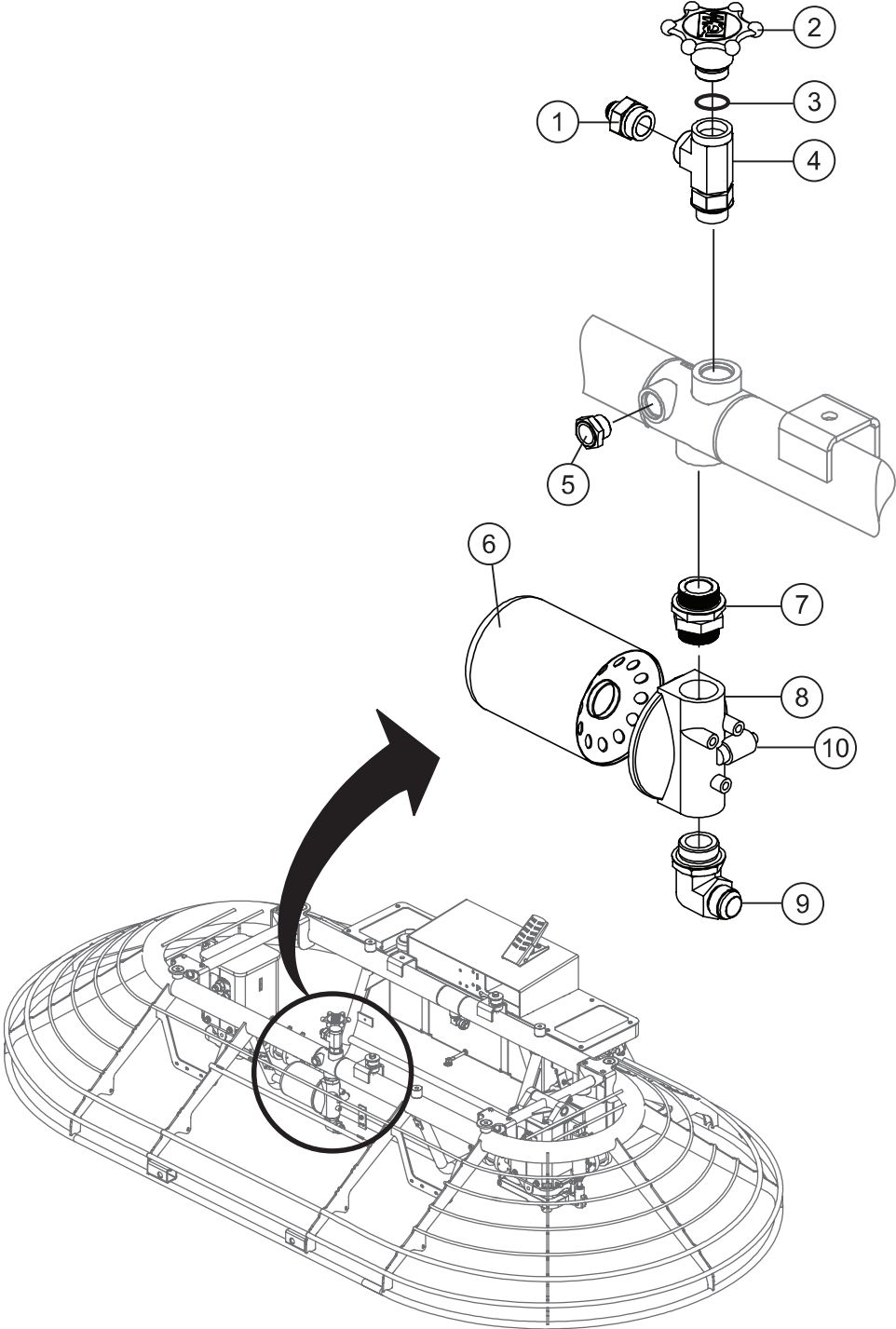
BURP TANK ASSY.



BURP TANK ASSY.

<u>NO.</u>	<u>PART NO.</u>	<u>PART NAME</u>	<u>QTY.</u>	<u>REMARKS</u>
1	22444	TANK, W/A, HYD BURP	1	
2	21513	BREATHER, FILTER 10 MICRON 1/4MP	1.....	PLASTIC
3	12287	SCREW, THP 1/4-20 X 3/4 SS	3	
4	11534	NUT, "U" TYPE, 1/4-20	3	
5	3365	FITTING, STR 10MJ-10MO	1	

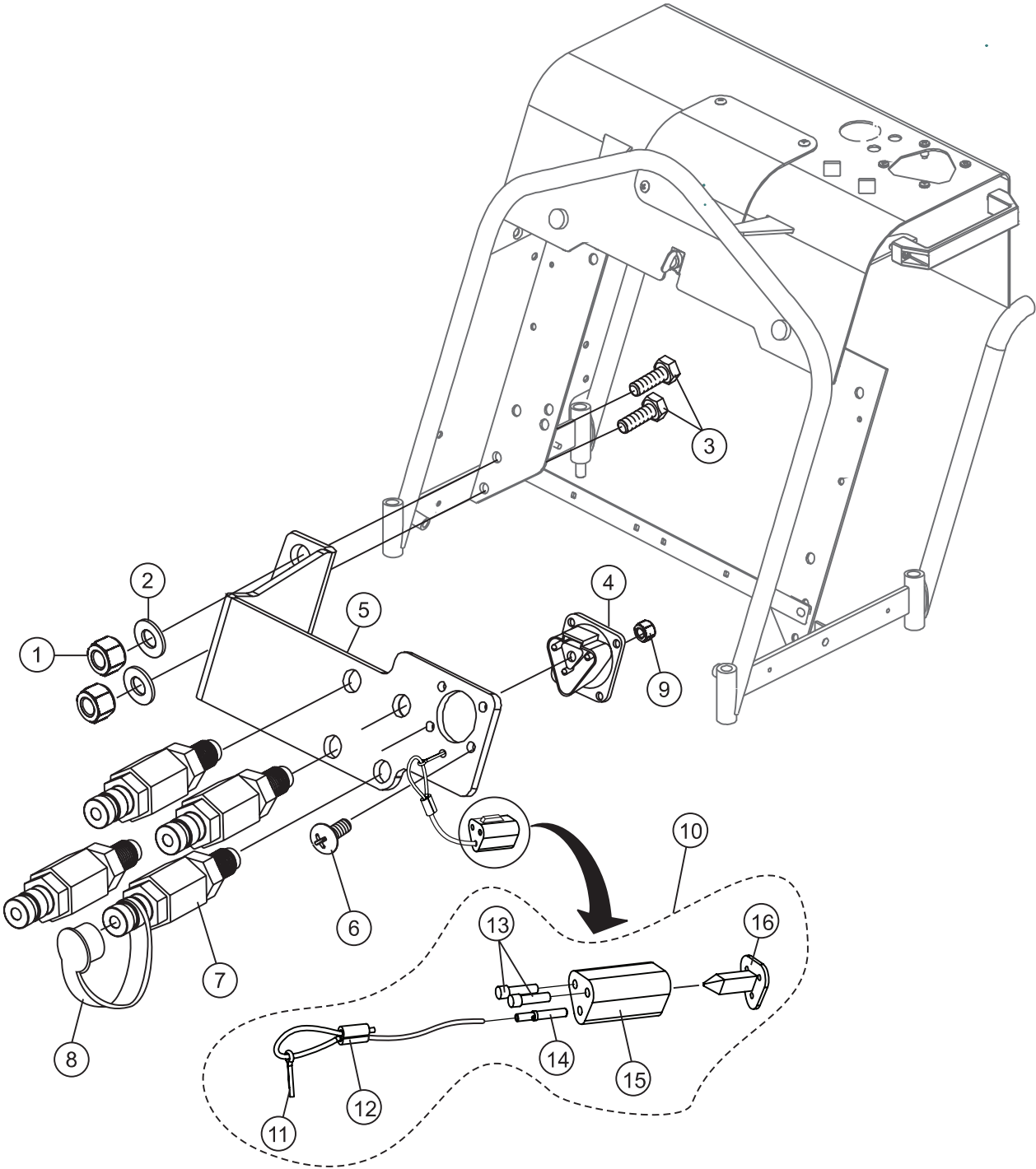
SUCTION FILTER ASSY.



SUCTION FILTER ASSY.

<u>NO.</u>	<u>PART NO.</u>	<u>PART NAME</u>	<u>QTY.</u>	<u>REMARKS</u>
1	22116	FITTING, STR 10MJ -16MO	1	
2	21400	PLUG, HYDRAULIC HAND WHEEL	1	
3	21406	O-RING, SIZE-16 BUNA-N 90	1	
4	22115	FITTING, TEE 16MO -16FO -16FO	1	
5	21109	SIGHT GLASS ,DASH 12 ORB STEEL	1	
6	22371	FILTER, SUCTION 5" 10 MICRON SYN LHA	1	
7	21407	FITTING, STR 20MO-20MO ADJ	1	
8	22370	HOUSING, FILTER LHA SP50S*DN2	1	
9	21814	FITTING, 90 16MJ-20MO	1	
10	21193	GAUGE, FILTER CONDITION ZINGA GV-10	1	

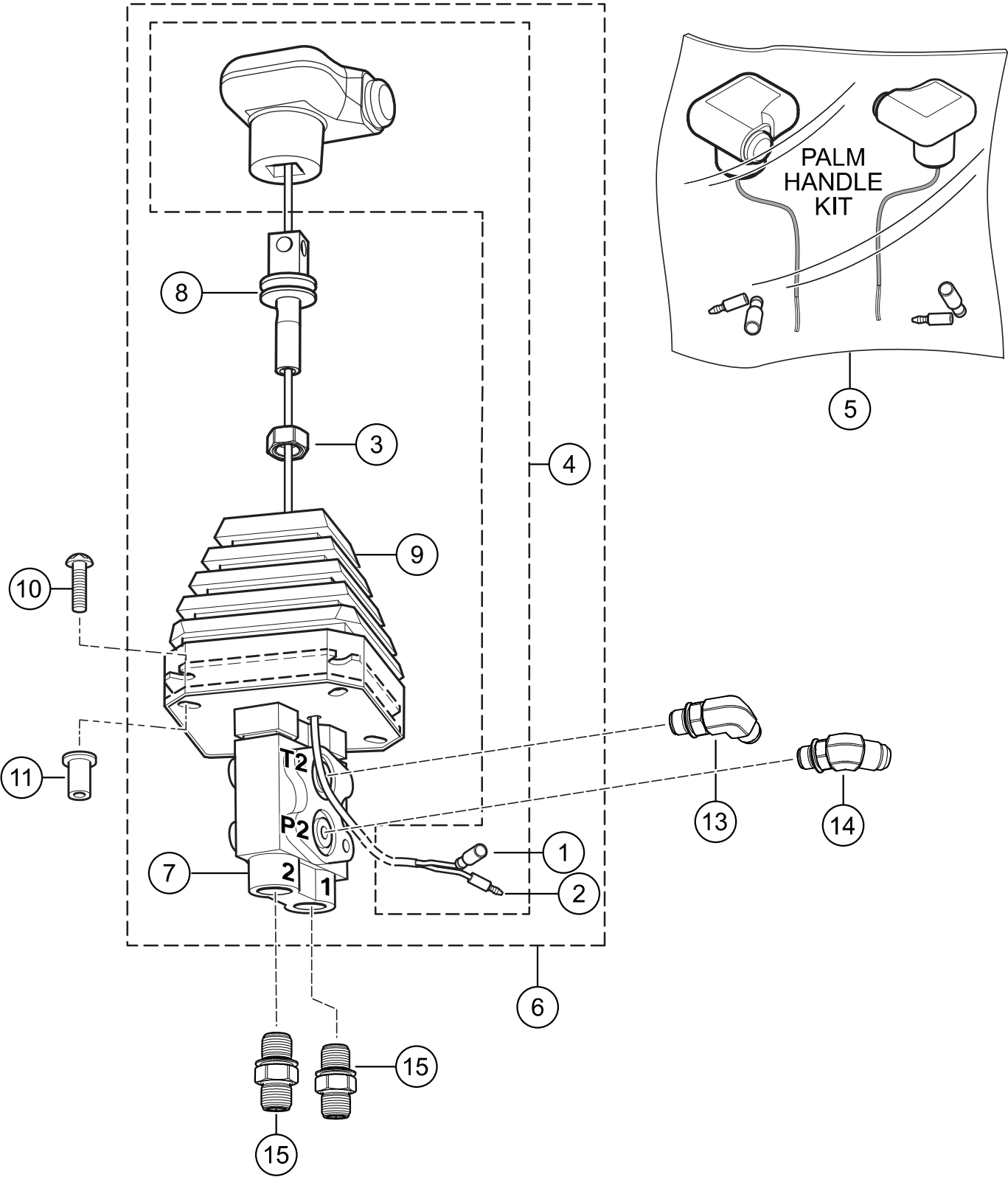
TEST PORT ASSY.



TEST PORT ASSY.

<u>NO.</u>	<u>PART NO.</u>	<u>PART NAME</u>	<u>QTY.</u>	<u>REMARKS</u>
1	10133	NUT, NYLOC 3/8-16	2	
2	10136	WASHER, FLAT SAE 3/8	2	
3	0205	SCREW, HHC 3/8-16 X 1.0	4	
4		CONNECTOR, MALE	1.....	NOT SERVICED; MUST PURCHASE WIRING HARNESS P/N 22793
5	22450	MOUNT, GAUGE PORT	1	
6	15175	SCREW, PHP 8-32 X 3/4"	4	
7	22789	FITTING, SERVICE PORT, 4MJ BLK-HEAD	4	
8	12148	CAP, DUST DIAG PARKER PD6-285	4	
9	13287	NUT, NYLOC 8-32	4	
10	23913	LANYARD, 3-WAY PLUG, DT SERIES.....	1.....	INCLUDES ITEMS W/#
11#	5117	PIN, COTTER 1/16Dx1/2	1	
12#	23914	LANYARD, .0625 DIA GALVANIZED WIRE	1	
13#	EE37935	PLUG, SEALING INDUST CONN. # 12 &16	2	
14#	EE37738	PIN, CONTACT SOCKET SIZE 16	1	
15#	23912	PLUG, 3 WAY, DT SERIES	1	
16#	EE37737	WEDGE LOCK, 3-PIN PLUG, DT SERIES	1	

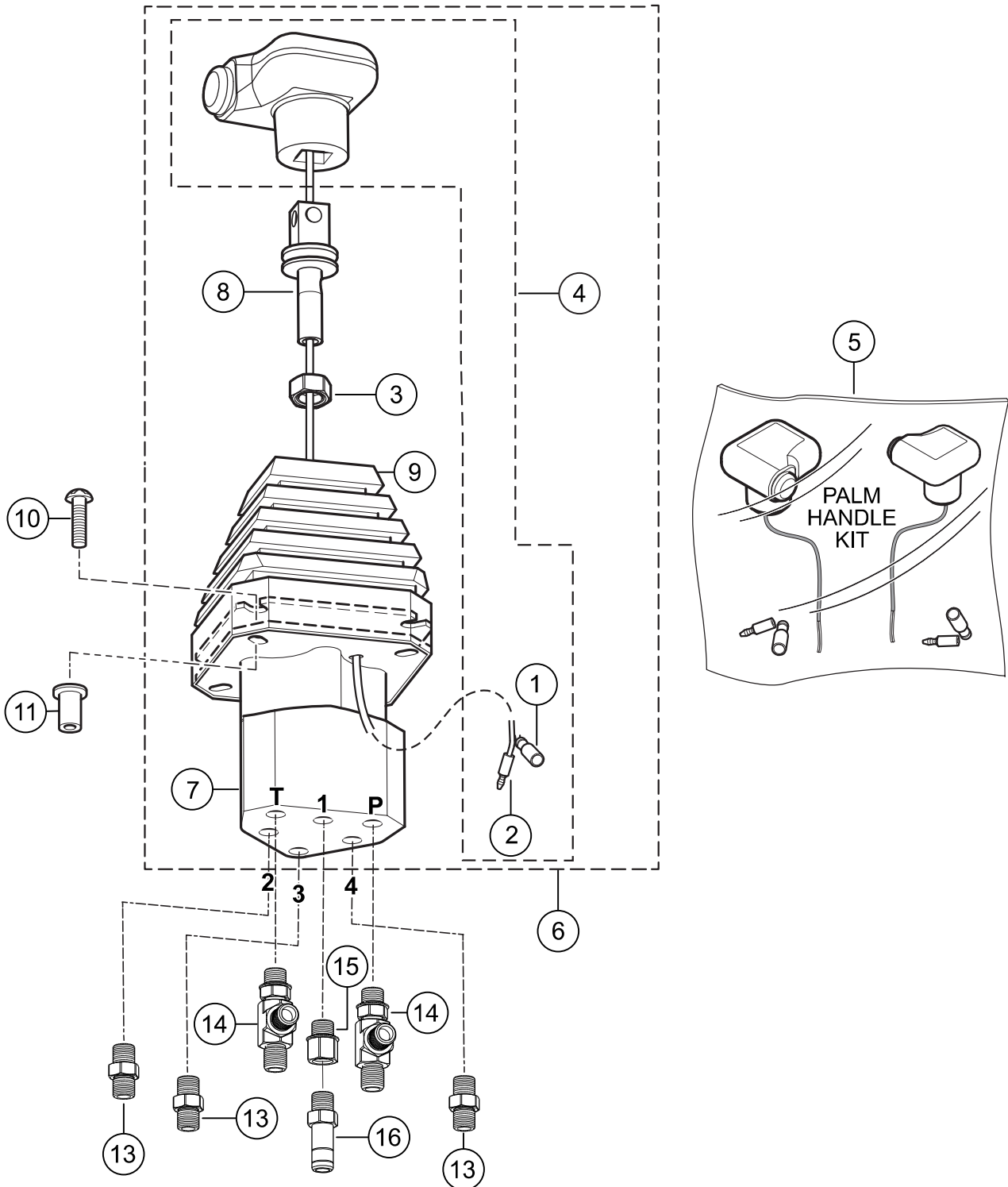
LEFT-HAND VALVE ASSY.



LEFT-HAND VALVE ASSY.

<u>NO.</u>	<u>PART NO.</u>	<u>PART NAME</u>	<u>QTY.</u>	<u>REMARKS</u>
1#\$	1318	TERMINAL, BULLET, FEM, 18-22	1	
2#\$	4692	TERMINAL, BULLET, MALE, 14-16	1	
3#	16083	NUT, HEX M12-1.75 NO PLATE	1	
4#	20150	HANDLE, PALM W/SWITCH, LEFT.....	1.....	INCLUDES ITEMS W/\$
5	20165	KIT, PALM HNDL W/TOGGLE SWITCH	1	
6	20831	VALVE, LH STRG W/SWITCH ASSY.....	1.....	INCLUDES ITEMS W/#
7#	20833	VALVE, LH STEERING	1	
8#	21053	ADAPTOR, LH PALM HANDLE	1	
9#	21631	BOOT, STEERING HANDLE	1	
10	12287	SCREW, THP 1/4-20 X 3/4 SS	4	
11	19266	NUT, BLIND 1/4-20 X .027-.165	4	
13	11722	FITTING, 90° 6MJ-6MO	1	
14	11780	FITTING, 45° 6MJ-6MO	1	
15	11721	FITTING, STR 6MJ-6MO	2	

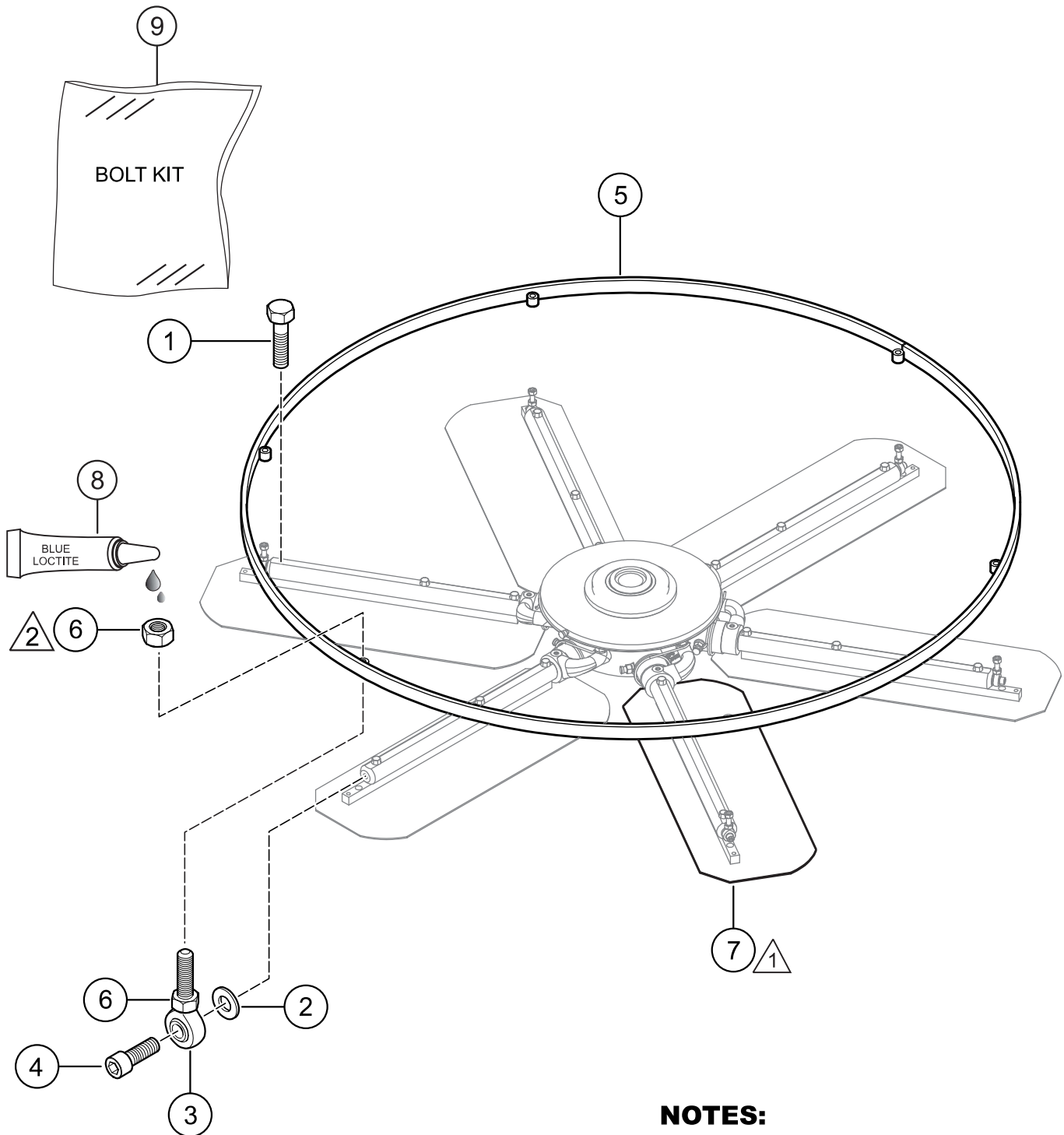
RIGHT-HAND VALVE ASSY.



RIGHT-HAND VALVE ASSY.

<u>NO.</u>	<u>PART NO.</u>	<u>PART NAME</u>	<u>QTY.</u>	<u>REMARKS</u>
1#\$	1318	TERMINAL, BULLET, FEM, 18-22	1	
2#\$	4692	TERMINAL, BULLER, MALE, 14-16	1	
3#	16083	NUT, HEX M12-1.75 NO PLATE	1	
4#	20155	HANDLE, PALM W/SWITCH, RH	1	INCLUDES ITEMS W/\$
5	20165	KIT, PALM HNDL W/TOGGLE SWITCH	1	
6	20829	VALVE, RH STEERING W/SWITCH ASSY.....	1	INCLUDES ITEMS W/#
7#	20832	VALVE, RH STEERING	1	
8#	20834	ADAPTER, PALM HANDLE	1	
9#	21631	BOOT, STEERING HANDLE	1	
10	12287	SCREW, THP 1/4-20 x 3/4 SS	4	
11	19266	NUT, BLIND 1/4-20 X .027-.165	4	
13	11721	FITTING, STR 6MJ-6MO	3	
14	12159	FITTING, TEE 6MJ-6MJ-6MO RUN	2	
15	21114	FITTING, STR 6FO-6MO-	1	
16	21115	FITTING, STR 6MJ-6MO LONG	1	

STABILIZER ASSY.



NOTES:

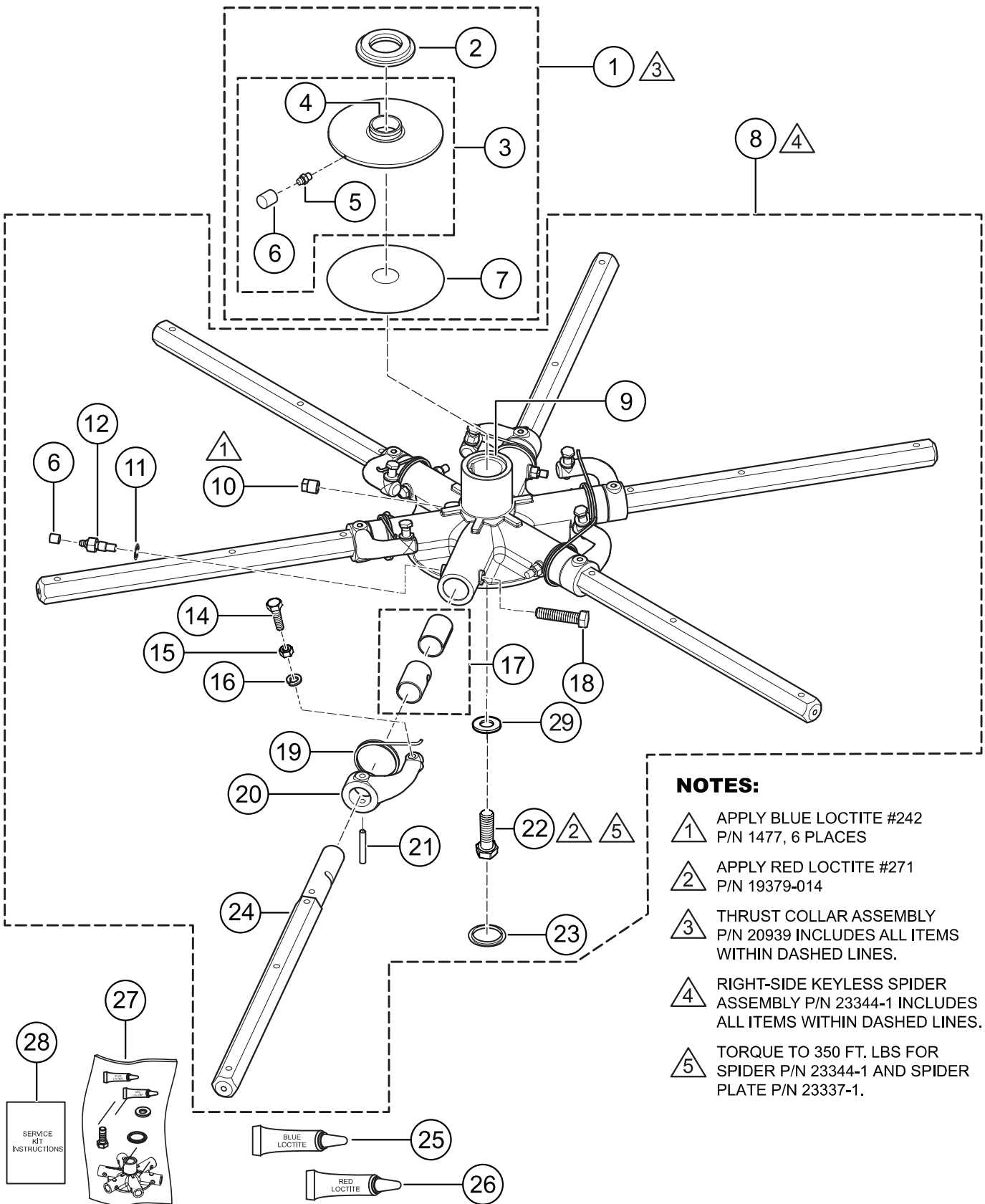
1 TO PURCHASE BLADES
CONTACT UNIT SALES DEPT.

2 APPLY BLUE LOCTITE #246 X 12

STABILIZER ASSY.

<u>NO.</u>	<u>PART NO.</u>	<u>PART NAME</u>	<u>QTY.</u>	<u>REMARKS</u>
1	22174	SCREW, HHFS 5/16-18 X 1-3/4 GR5	38	
2	0300 B	WASHER, FLAT SAE 5/16	12	
3	1723	ROD END 5/16-24 MALE RH	12	
4	1237	SCREW, SHC 5/16-18 X 7/8 NYLOC	12	
5	12185	RING, STABILIZER W/A	2	
6	6014 C	NUT, HEX FINISH 5/16-24	24	
7		BLADE ASSY.....	12.....	CONTACT UNIT SALES
8	60097	LOCTITE, BLUE #246	AR	
9	23642	KiIT, BOLT	1	

6-BLADE SPIDER ASSY. (LEFT-SIDE)



NOTES:

- 1** APPLY BLUE LOCTITE #242 P/N 1477, 6 PLACES
- 2** APPLY RED LOCTITE #271 P/N 19379-014
- 3** THRUST COLLAR ASSEMBLY P/N 20939 INCLUDES ALL ITEMS WITHIN DASHED LINES.
- 4** RIGHT-SIDE KEYLESS SPIDER ASSEMBLY P/N 23344-1 INCLUDES ALL ITEMS WITHIN DASHED LINES.
- 5** TORQUE TO 350 FT. LBS FOR SPIDER P/N 23344-1 AND SPIDER PLATE P/N 23337-1.

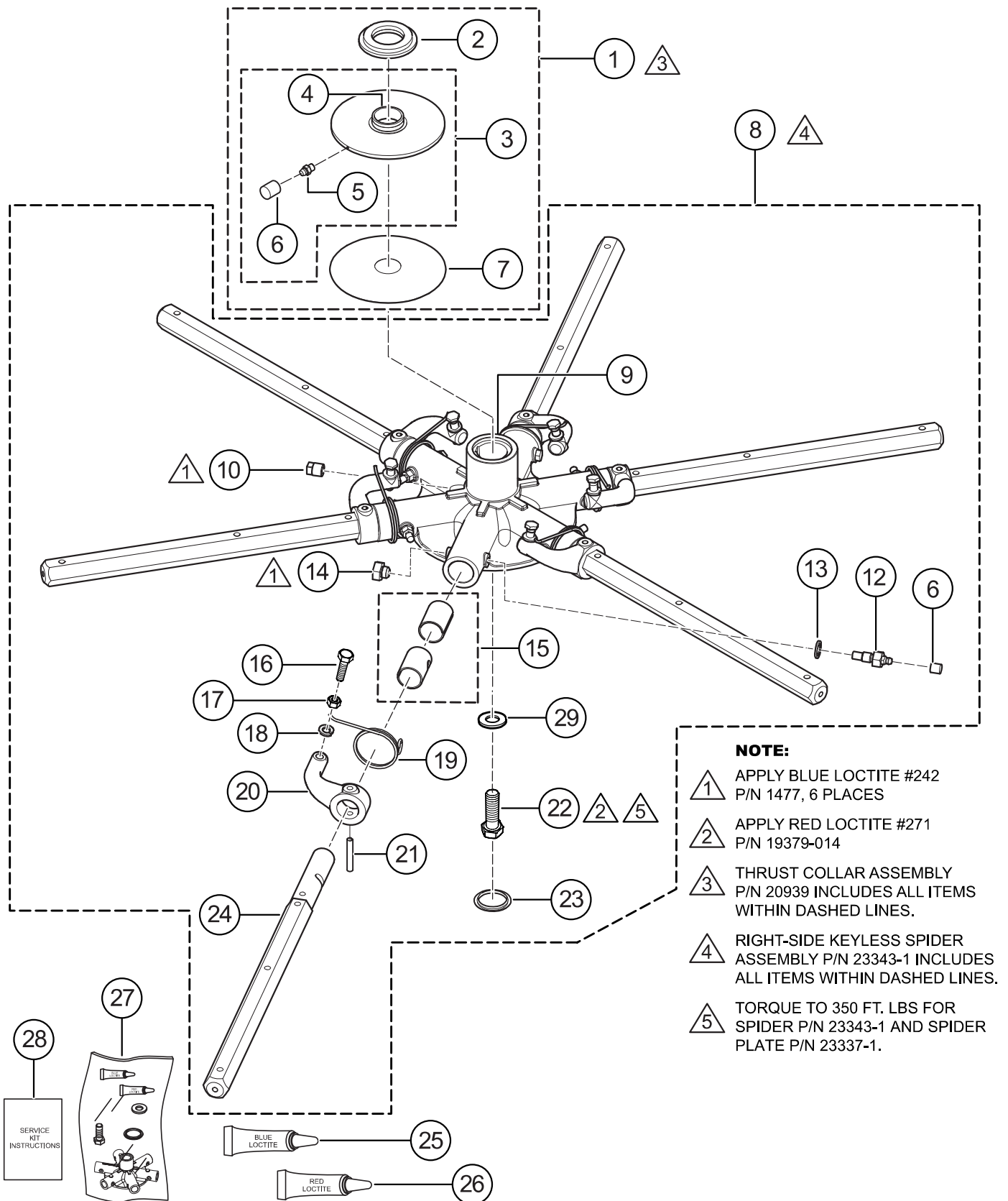
6-BLADE SPIDER ASSY. (LEFT-SIDE)

<u>NO.</u>	<u>PART NO.</u>	<u>PART NAME</u>	<u>QTY.</u>	<u>REMARKS</u>
1	20939	THRUST COLLAR ASSY.	1.....	INCLUDES ITEMS W/8
2&	12779	BEARING, THRUST 6017 2 RS. W/FLANGE	1	
3&	12315	THRUST COLLAR W/BUSHING	1.....	INCLUDES ITEMS W/\$
4&\$	12316	BUSHING, THRUST COLLAR	1	
5&	2621	ZERK, GREASE STR 1/4-28	1	
6#&	1162 A	CAP, GREASE ZERK #2	7	
7&	12250	PLATE, WEAR	1	
8	23344-1	SPIDER ASSY., TAPERED, LS SILVER	1.....	INCLUDES ITEMS W/#
9#%	23341	SPIDER, 6 BLADE SERVICE KIT	1	
10#	0121 A	FITTING, PLUG 3/8 MP SQ HEAD	1	
11#	1875	WASHER, INT. SHKP. 3/8	6	
12#	1322	SCREW, RETAINING	6	
14#	21031	SCREW, HHC RND"7/16-14 UNC SPCL GR8	6	
15#	07034-007	NUT, HEX JAM 7/16-14	6	
16#	2955	WASHER, LOCK 7/16 MED	6	
17#	11039	BUSHING, ARM 2 PIECE	12	
18#%	1121	SCREW, HHC 3/8-16 X 2 3/4	6	
19#	9111	SPRING, LS ARM RETURN, SMALL BOSS	6	
20#	21049-1	LEVER, TROWEL ARM, LS SILVER	6	
21#	32045	PIN, COILED SPRING 5/16 x 2.00	6	
22#%	32788	SCREW, HHC 3/4-16 X 2-1/4" GRD 8	1	
23#%	20121	PLUG, SPIDER SNAP IN	1	
24#	11991-1	ARM, TROWEL, 6 BLADE SILVER	6	
25#%	1477	LOCTITE 242 BLUE .5CC	1	
26#%	19379-014	LOCTITE 271 RED, ANAEROBIC	1	
27#	23341	SPIDER STX/HTX 6BLD SERVICE KIT	1.....	INCLUDES ITEMS W/%
28%	23342	INSTRUCTIONS, TAPERED SPIDER KIT	1.....	TO OBTAIN COPY SEE BELOW
29#%	933247	WASHER, FLAT SAE 3/4 GRD9	1	

TO OBTAIN A COPY OF INSTRUCTIONS P/N 32771 GO TO:

[HTTP://SERVICE.MULTIQUIP.COM/PDFS/HTX-STX_UNIVERSAL_TAPERED_KEYLESS_SPIDER_INSTALLATION_INSTRUCTIONS_REV_0_P_N_32771.PDF](http://SERVICE.MULTIQUIP.COM/PDFS/HTX-STX_UNIVERSAL_TAPERED_KEYLESS_SPIDER_INSTALLATION_INSTRUCTIONS_REV_0_P_N_32771.PDF)

6-BLADE SPIDER ASSY. (RIGHT-SIDE)



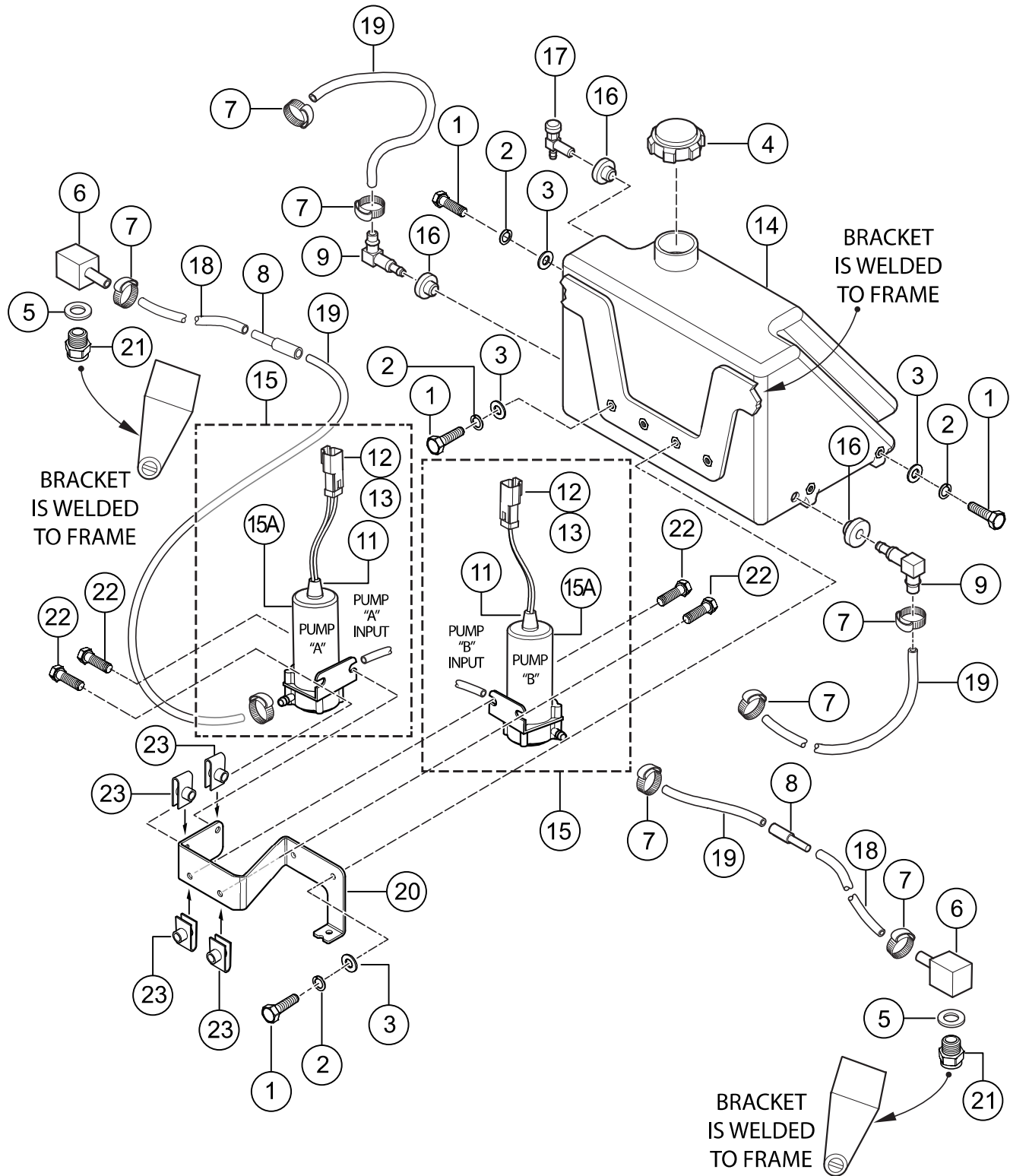
6-BLADE SPIDER ASSY. (RIGHT-SIDE)

<u>NO.</u>	<u>PART NO.</u>	<u>PART NAME</u>	<u>QTY.</u>	<u>REMARKS</u>
1	20939	THRUST COLLAR ASSY.	1	INCLUDES ITEMS W/8
2&	12779	BEARING, THRUST 6017 2 RS W/FLANGE	1	
3&	12315	THRUST COLLAR W/BUSHING	1	INCLUDES ITEM W/8
4&\$	12316	BUSHING, THRUST COLLAR	1	
5&	2621	ZERK, GREASE ZERK #2	6	
6#&	1162 A	CAP, GREASE ZERK #2	7	
7&	12250	PLATE, WEAR	1	
8	23343-1	SPIDER ASSY. , TAPERED RS. SILVER	1	INCLUDERS ITEMS W/8
9#%	23341	SPIDER, 6 BLADE SERVICE KIT	1	
10#	0121 A	FITTING, PLUG 3/8 MP SQ HEAD	1	
12#	1322	SCREW, RETAINING	6	
13#	1875	WASHER, INT. SHKP. 3/8	6	
14#%	11602	SCREW, HHC 3/8-16 X 1/4	6	
15#	11039	BUSHING ARM 2 PIECE	12	
16#	21031	SCREW, HHC RND' 7/16-14 UNC SPCL GR8	6	
17#	07034-007	NUT, HEX JAM 7/16-14	6	
18#	2955	WASHER, LOCK, 7/16 MED.	6	
19#	2143	SPRING, RS ARM RETURN, SMALL BOSS	6	
20#	21050-1	LEVER, TROWEL ARM HYD. RS. SILVER	6	
21#	32045	PIN, COILED SPRING 5/16 X 2	6	
22#%	32788	SCREW, HHC 3/4-16 X 2-1/4" GRD 8	1	
23#%	20121	PLUG, SPIDER SNAP IN	1	
24#	11991-1	ARM, TROWEL, 6 BLADE	6	
25#%	1477	LOCTITE 242 BLUE .5CC	1	
26#%	19379-014	LOCTITE 271 RED, ANAEROBIC	1	
27#	23341	SPIDER STX /HTX SERVICE KIT	1	INCLUDES ITEMS W/8
28#%	23342	INSTRUCTIONS, TAPERED SPIDER KIT	1	TO OBTAIN COPY SEE BELOW
29#%	933247	WASHER, FLAT SAE 3/4 GRD 9YZ	1	

TO OBTAIN A COPY OF INSTRUCTIONS P/N 32771 GO TO:

[HTTP://SERVICE.MULTIQUIP.COM/PDFS/HTX-STX_UNIVERSAL_TAPERED_KEYLESS_SPIDER_INSTALLATION_INSTRUCTIONS_REV_0_P_N_32771.PDF](http://SERVICE.MULTIQUIP.COM/PDFS/HTX-STX_UNIVERSAL_TAPERED_KEYLESS_SPIDER_INSTALLATION_INSTRUCTIONS_REV_0_P_N_32771.PDF)

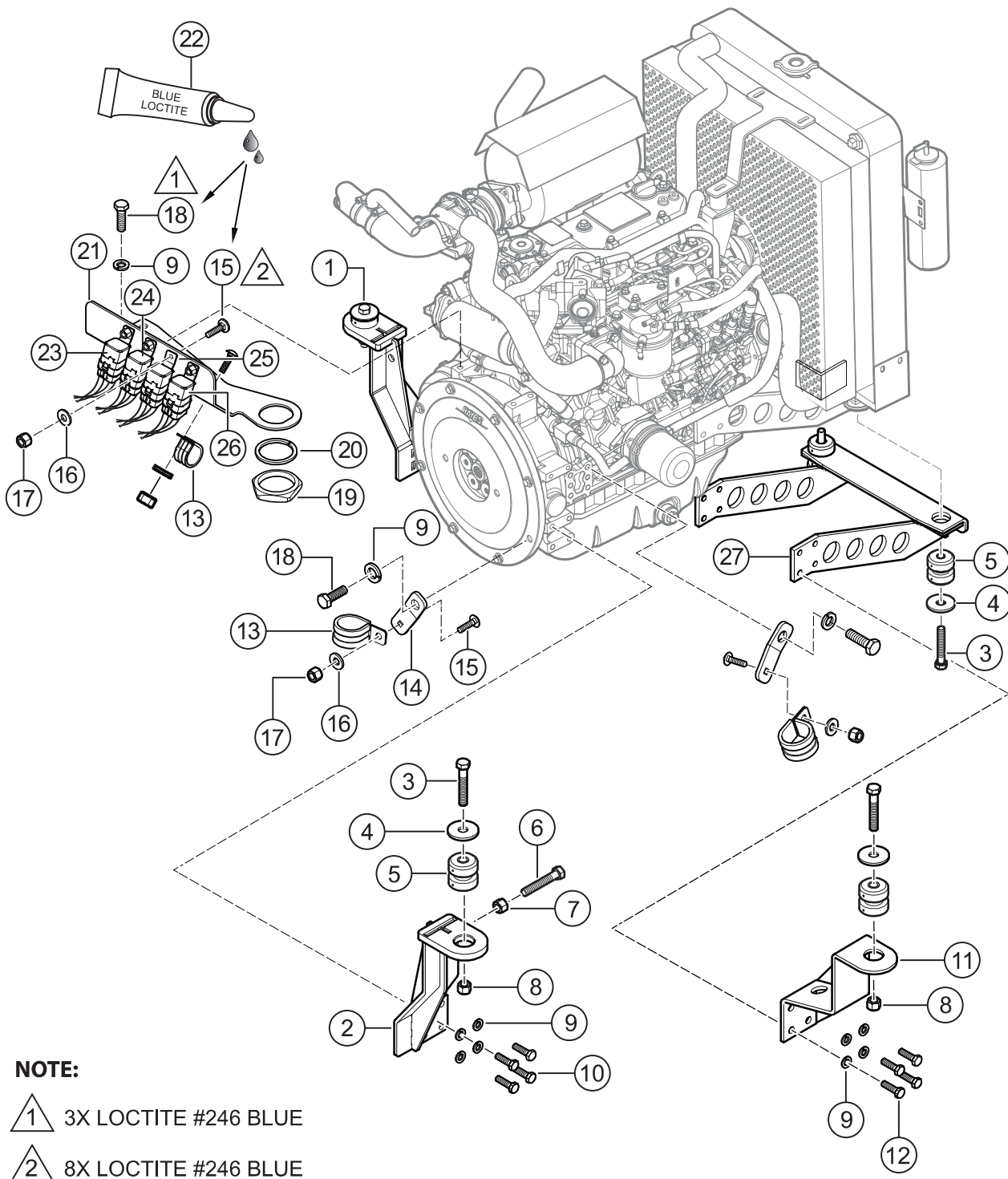
SPRAY ASSY.



SPRAY ASSY.

<u>NO.</u>	<u>PART NO.</u>	<u>PART NAME</u>	<u>QTY.</u>	<u>REMARKS</u>
1	0131 A	SCREW, HHC 1/4-20 X 3/4	6	
2	0181 B	WASHER, LOCK 1/4 MED	6	
3	0948	WASHER, FLAT 1/4 SAE	6	
4	2108	CAP, SPRAY TANK	1	
5	2898	WASHER, ROUNDED NEOPRENE 1 X 1/2	2	
6	2912	FITTING 90 DEGREE	2	
7	2918	CLAMP HOSE .475-.536 ID	8	
8	10022	FITTING, PLASTIC-TEE 1/4 BARB	2	
9	29677	FITTING, 90 DEGREE FUEL	2	
11#	12171	SEAL, WPACK 16-18 (GRN)	4	
12#	12176	CONNECTOR, WPACK 2 PIN SHROUD	2	
13#	12179	TERMINAL, WPACK MALE 14-16 GA	4	
14	12403	TANK	1	
15	23434	PUMP, SPRAY W/CONNECTORS.....	2.....	INCLUDES ITEMS W/ #
15A#	12548	PUMP, SPRAY	2	
16	19633	BUSHING, RUBBER FUEL	5	
17	19661	VALVE, DRAIN	1	
18	60001	HOSE, .25ID X .375OD TYGON 7FT 5IN.....	8.....	SOLD BY FOOT
19	60002	HOSE, .375ID X .5OD TYGON 4FT 3IN.....	5.....	SOLD BY FOOT
20	22449	MOUNT,SPRAY PUMP	1	
21	392292	NOZZLE, SPRAY2	2	
22	923203	SCREW, SHC 1/4-20 X 3/4	4	
23	11534	NUT, "U" TYPE, 1/4--20	4	

ENGINE MOUNTING ASSY.



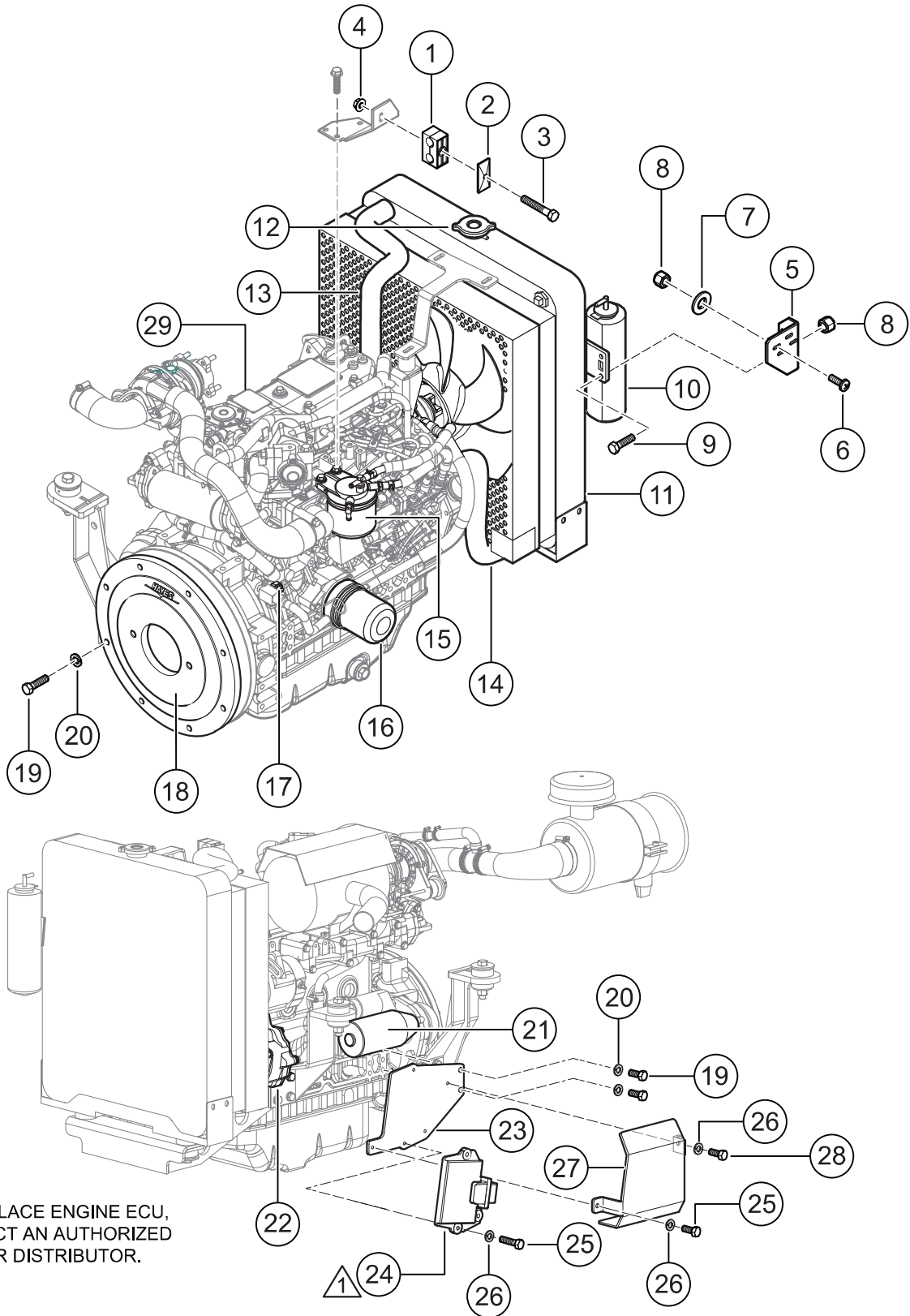
NOTE:

- △ 1 3X LOCTITE #246 BLUE
- △ 2 8X LOCTITE #246 BLUE

ENGINE MOUNTING ASSY.

<u>NO.</u>	<u>PART NO.</u>	<u>PART NAME</u>	<u>QTY.</u>	<u>REMARKS</u>
1	22870	MOUNT, REAR LH ENGINE	1	
2	22873	MOUNT, REAR RH ENGINE	1	
3	2549	SCREW, HHC 1/2-13 X 3	4	
4	20743	WASHER, ISO SNUB KROFUND	4	
5	20742	ISOLATER, RB2 RING/BUSHING	4	
6	20473	SCREW, HHC 3/8-16 X FULL THREAD GR5	1	
7	1456	NUT, HEX FINISH 3/8-16	1	
8	10176	NUT,NYLOC 1/2-13	4	
9	2955	WASHER, LOCK 7/16 ZINC	16	
10	16056	SCREW, HHC M10-1.5 X 25MM GR8.8	8	
11	20726	MOUNT, ENGINE	2	
12	21584	SCREW, HHC M10-1.5 X 35MM GR 10.9	8	
13	21574	CLAMP, LOOP CUSHIONED #16 0.25 HOLE	4	
14	23872	BRACKET, ADAPTOR	2	
15	22131	BOLT, CARRIAGE 10-32 X 3/4 ZINC	8	
16	2203	WASHER, FLAT #10	8	
17	10019	NUT, NYLOC 10-32	8	
18	16056	SCREW, HHC M10-1.5 X 25MM GRD 8.8	14	
19	23901	NUT, PANEL, DEUTSCH 24	1	
20	23902	LOCKWASHER, PANEL	1	
21	23871	MOUNT, ENGINE HARNESS	1	
22	60097	LOCTITE #246 BLUE	AR	
23	32097	RELAY, ENGINE, SUB	1	
24	32096	RELAY, ENGINE, MAIN	1	
25	32095	RELAY, ENGINE, PRE-HEAT	1	
26	32094	RELAY, ENGINE, STARTER	1	
27	21644	MOUNT, RADIATOR W/A-YANMAR 55	1	

ENGINE COMPONENTS AND RADIATOR ASSY.



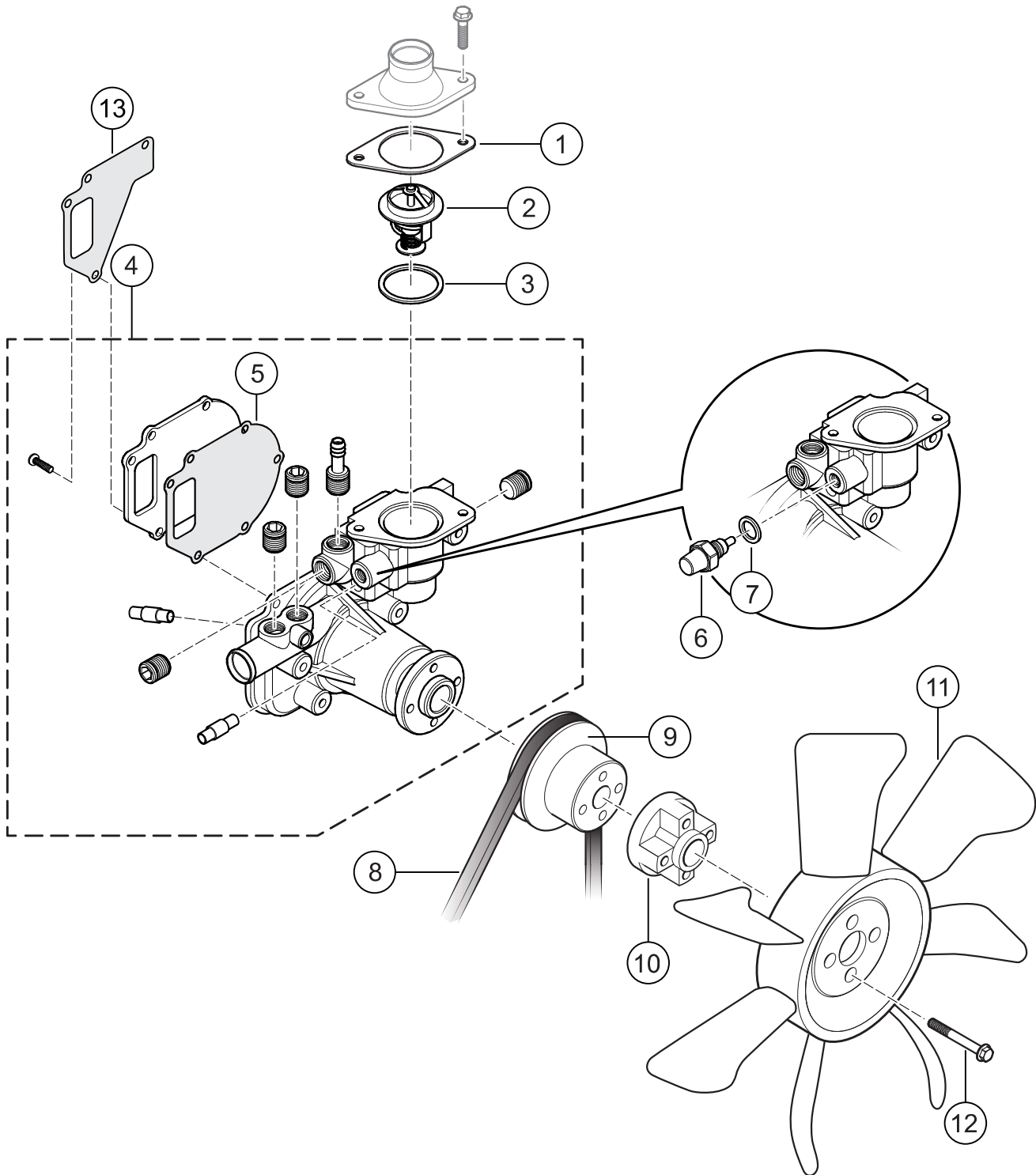
ENGINE COMPONENTS AND RADIATOR ASSY.

<u>NO.</u>	<u>PART NO.</u>	<u>PART NAME</u>	<u>QTY.</u>	<u>REMARKS</u>
1	20913	CLAMP, 0.75 OD TUBE STAUFF	1	
2	20912	COVER, 0.75 OD TUBE STAUFF	1	
3	06500-020	SCREW, HHC 5/16-18 X 2-1/2	1	
4	49071	NUT, FLANGED 5/16-18 SERRATED PLTD	1	
5	21947	BRACKET, RAD. BOTTLE MOUNT	1	
6	12287	SCREW, THP 1/4-20 X 3/4 SS	2	
7	0948	WASHER, FLAT SAE 1/4	2	
8	10024	NUT, NYLOC 1/4-20	4	
9	0131 A	SCREW, HHC 1/4-20 X 3/4	2	
10	12125244510	SUB RESERVOIR	1	
11	79000448	RADIATOR	1	
12	69300001	RADIATOR CAP	1	
13	68900305	HOSE, RADIATOR UPPER	1	
14	68900143	HOSE, RADIATOR LOWER	1	
15	11980255801	FILTER, FUEL	1	
16	12915035153	OIL FILTER	1	
17	11976139450	SWITCH, OIL PRESSURE	1	
18	22328-01	COUPLER, HAYES	1	
19	16056	SCREW, HHC M10-1.5 X 25MM GR 8.8	AR	
20	2955	WASHER, LOCK 7/16 ZINC	AR	
21	12913677011	STARTER	1	
22	11962677210	ALTERNATOR, 12V 55AMP	1	
23	22888	MOUNT, ENGINE ECU	1	
24	12992775900	ECU ASSY.	1	PURCHASE FROM YANMAR
25	0202	SCREW, HHC 5/16-18 X 1 ZINC	3	
26	0161 C	WASHER, LOCK 5/16 MED.	5	
27	22887	COVER, ENGINE ECU	1	
28	0655	SCREW, HHC 5/16-18 X 3/4	2	
29	22329	ENGINE ASSY., YANMAR 4TNV84TZDSA2	1	

AIR CLEANER AND EXHAUST ASSY.

<u>NO.</u>	<u>PART NO.</u>	<u>PART NAME</u>	<u>QTY.</u>	<u>REMARKS</u>
1	KAC8	AIR CLEANER ASSY.	1	INCLUDES ITEMS W/@
1A@	PMAF25436	CARTRIDGE AIR CLEANER	1	
2@	12968712600	RAIN CAP ASSY.	1	
3	12950912080	HOSE, AIR INTAKE	1	
4	Y23000080000	CLAMP, HOSE 80	1	
5	Y23000060000	CLAMP, HOSE 60	1	
6	12950903090	HOSE, BREATHER	1	
7	12941003990	CLAMP, HOSE 22	2	
8	12950903050	JOINT, BREATHER	1	
9	15538	CLAMP, HOSE WORM #6 7/16 TO 11/16	2	
10	22853	TUBE, HOSE SECTION	1	
11	60130	HOSE, FUEL 5/8 ID SAE 30R7 9" LONG.....	1	SOLD BY FOOT
12	21755	GASKET, MUFFLER YANMAR 55HP	1	
13	21656	MUFFLER, YANMAR 4TNV84T	1	
14	26306080002	NUT, M8	5	
15	Y23000060000	CLAMP, HOSE 60	2	
16	12950912070	HOSE, AIR INTAKE	1	
17	21906	SCREW, HHFS 5/16-18 X 1-1/2 GR5	2	
18	21989	SPACER, .75 X 2.0 X 4.5 UHMW	1	
19	49071	NUT, FLANGED 5/16-18 SERRATED PLTD	2	

WATER PUMP, FAN, V-BELT ASSY



WATER PUMP, FAN, V-BELT ASSY

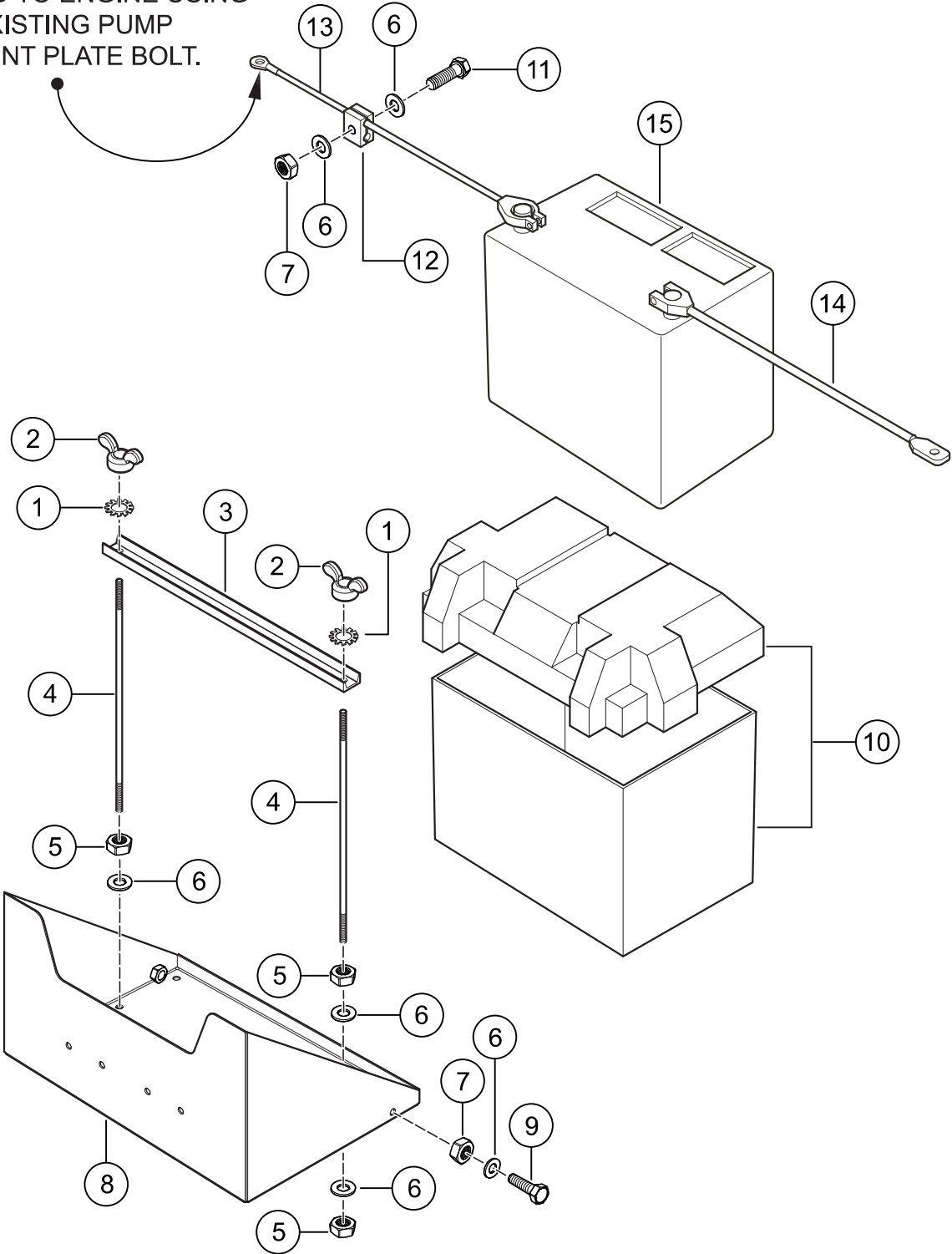
<u>NO.</u>	<u>PART NO.</u>	<u>PART NAME</u>	<u>QTY.</u>	<u>REMARKS</u>
1	12979549551	GASKET, COVER	1	
2	12915549801	THERMOSTAT	1	
3	12915049811	GASKET, THERMOSTAT	1	
4	12950942010	PUMP ASSY., WATER	1	
5	12910042051	GASKET, WATER PUMP	1	
6	12992744900	THERMOMETER	1	
7	22190120002	SEAL, WASHER 12	1	
8	12925842290	V-BELT	1	
9	12940342380	V-PULLEY, WATER PUMP	1	
10	17135344760	SPACER, FAN	1	
11	12961244700	FAN, PUSHER	1	
12	26106060402	BOLT, M 6 X 40 PLATED	4	
13	12948642021	GASKET	1	

FUEL SYSTEM ASSY.

<u>NO.</u>	<u>PART NO.</u>	<u>PART NAME</u>	<u>QTY.</u>	<u>REMARKS</u>
1	60028	HOSE, FUEL .312 LOW PERM 50 PSI 46"	4.....	SOLD BY FOOT
2	19473	CLAMP, HOSE WORM #2 1/4 TO 5/8.....	8.....	
3	60028	HOSE, FUEL .312 LOW PERM 50 PSI 58"	5.....	SOLD BY FOOT
4	60028	HOSE, FUEL .312 LOW PERM 50 PSI 12"	1.....	SOLD BY FOOT
5	60028	HOSE, FUEL .312 LOW PERM 50 PSI 29"	3.....	SOLD BY FOOT
6	12924255700	FUEL SEPARATOR	1	
6A	12924255730	ELEMENT, FUEL SEPARATOR	1	
7	0300 B	WASHER, FLAT SAE 5/16	1	
8	36720	SCREW, HHFS 5/16-18 X 3/4 GR5	1	
9	1404	SCREW, HHC 5/16-18 X 3-1/4 GR5	1	
10	35358	PALNUT, U. 5/16-18 X .05/.20 PANEL	2	
11	0131 A	SCREW, HHC 1/4-20 X 3/4	4	
12	0948	WASHER, FLAT SAE 1/4	8	
13	11922552102	PUMP, FUEL	1	
14	10024	NUT, NYLOC 1/4-20	4	
15	22757	GUARD, SPLASH SEDIMENT BULB	1	
16	W12023	FITTING, 90 5MBARB X 6-4SBARB	2	
17	60058	HOSE, 1/4 X 3/8 PCV, YELLOW FUEL.....	1.....	SOLD BY FOOT
18	12010	SCREEN, FILTER	1	
19	19633	BUSHING, RUBBER FUEL	2	
20	23515	CAP, RATCHET W/GAUGE "DIESEL" (10.5")	1	
21	21576	TANK, 11 GALLON POLYETHLENE	1	

BATTERY ASSY.

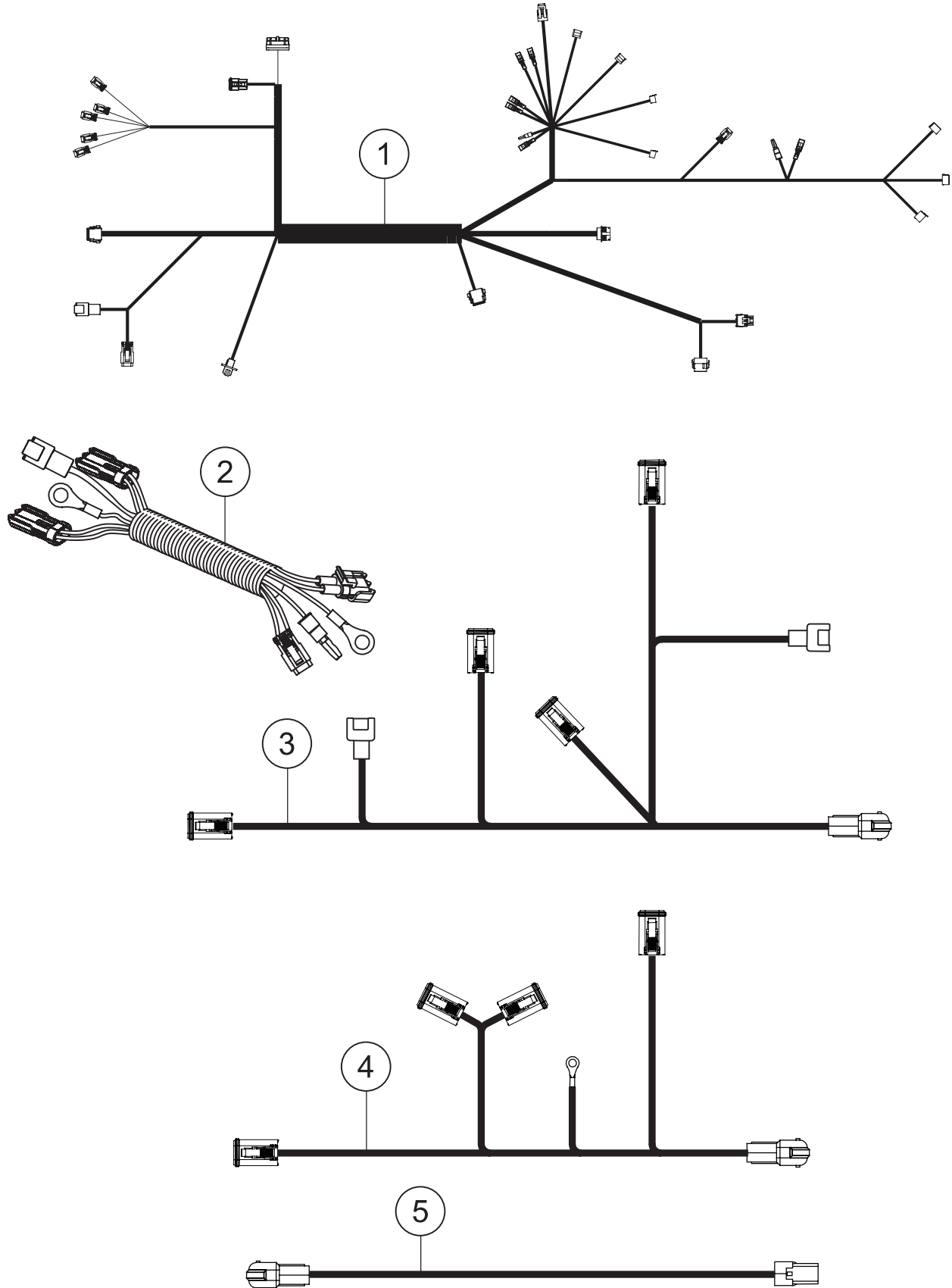
GROUND TO ENGINE USING
EXISTING PUMP
MOUNT PLATE BOLT.



BATTERY ASSY.

<u>NO.</u>	<u>PART NO.</u>	<u>PART NAME</u>	<u>QTY.</u>	<u>REMARKS</u>
1	10031	WASHER, EXT SHKP 1/4	8	
2	2509	NUT, WING 1/4-20 PLATED	2	
3	11692	BRACKET, BATTERY BOX HOLD DOWN	1	
4	11693	BOLT, BATTERY BRACKET	2	
5	0949	NUT, HEX FINISH 1/4-20	6	
6	0948	WASHER, FLAT 1/4 SAE	9	
7	10024	NUT, NYLOC 1/4-20	5	
8	20696	BATTERY BOX	1	
9	0730	SCREW, HHC 1/4-20 X 1	4	
10	10318	BATTERY BOX, GROUP 24	1	
11	12275	SCREW, HHC 1/4-20 X 1	1	
12	12273	CLAMP, 3/8 TUBE	1	
13	22809	CABLE, BATTERY, NEGATIVE 62" 6GA.	1	
14	22808	CABLE, BATTERY, POSITIVE RED 55" 6GA.	1	
15		BATTERY, OPTIMA 8022-091	1.....	USE OPTIMA P/N 8022-091

HARNES ASSY.



HARNESSES ASSY.

<u>NO.</u>	<u>PART NO.</u>	<u>PART NAME</u>	<u>QTY.</u>	<u>REMARKS</u>
1	22793	HARNESSES, MAIN	1	
2	22318	HARNESSES, ENGINE	1	
3	22794	HARNESSES, FRONT	1	
4	22795	HARNESSES, REAR	1	
5	22796	HARNESSES, SEAT SWITCH	1	