



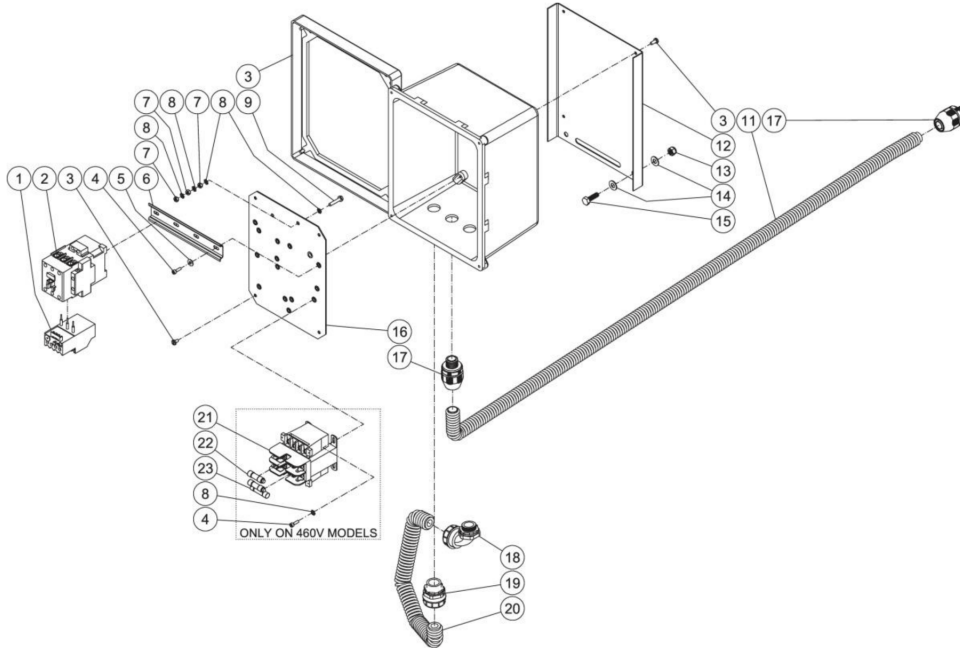
Id	Item #	Description	Quantity	Rev	Comments
14	15-0280	HOSE	1		
15	23-0471	ELBOW	1		
16	23-0456	REDUCER	1		
17	27-0220	BOLT	4		
18	28-0006	WASHER	16		
19	30-0163	NUT	8		
20	70-0520	OIL DRAIN HOSE	1		
21	24-0053	REDUCER	1		
22	3-0314	PUMP	1		
23	N/A	DECAL - CHECK OIL *(SEE 34-9016)	1		
24	20-1031A01	BELTGUARD STABILIZER	2		
25	28-0023	WASHER	8		
26	27-8061	BOLT	2		
27	28-0003	WASHER	20		
28	30-0157	LOCKNUT	10		
29	27-0066	BOLT	2		
30	854-0098	BELTGUARD BACK ASSEMBLY (INC. 31-33)	1		
31	6-0131A01	BELTGUARD BACK	1		
32	33-0020	EDGING *(FOUR FEET REQUIRED)	1		
33	N/A	DECAL - BELTGUARD IN PLACE *(SEE 34-9016)	1		
34	10-0147	SHEAVE	1		
35	9-0091	BUSHING	1		
36	27-0015	BOLT	3		
37	11-0080	BELT	4		
38	34-2169	DECAL - MI-T-M	1		
39	27-9524	BOLT	7		
40	854-0099	BELTGUARD FRONT ASSEMBLY (INC. 41-42)	1		
41	6-0132A01	BELTGUARD FRONT (SEE 854-0099)	1		
42	33-0020	EDGING *(TWO FEET REQUIRED)	2		
43	43-0078	KEY	1		
44	2-0152	MOTOR (200V/3 PHASE)	1		
44	2-0153	MOTOR (230V/3 PHASE, 460V/3 PHASE)	1		
45	27-0218	BOLT	4		
46	20-1030A01	BELT TENSIONER PLATE	1		
47	27-0576	BOLT	2		
48	23-0328	ADAPTER	1		
49	22-0436	CHECK VALVE	1		
50	N/A SEP	STARTER OPTION	1		
51	24-0219	PLUG	1		

Id	Item #	Description	Quantity	Rev	Comments
52	34-0815	DECAL - TANK DRAIN *(SEE 34-9016)	2		
53	27-0117	BOLT	4		
54	29-0008	LOCKWASHER	4		
55	14-0109	ISOLATOR	4		
56	27-0067	BOLT	8		
57	39-0014	PLUG	2		
58	22-0271	PRESSURE GAUGE	1		
59	23-0111	REDUCER	1		
60	22-0416	PRESSURE SWITCH	1		
61	23-0103	NIPPLE	1		
62	23-0056	REDUCER	1		
63	23-0226	REDUCER	1		
64	22-0267	PRESSURE RELIEF VALVE	1		
65	24-0009	PLUG	1		
66	54-0034	COPPER TUBE *(TWO FEET REQUIRED)	1		
	34-9016	DECAL SET	1		



AM2-HE15-120M / AM2-HE15-120M (sn:0-99999999)

## AX-OPTION



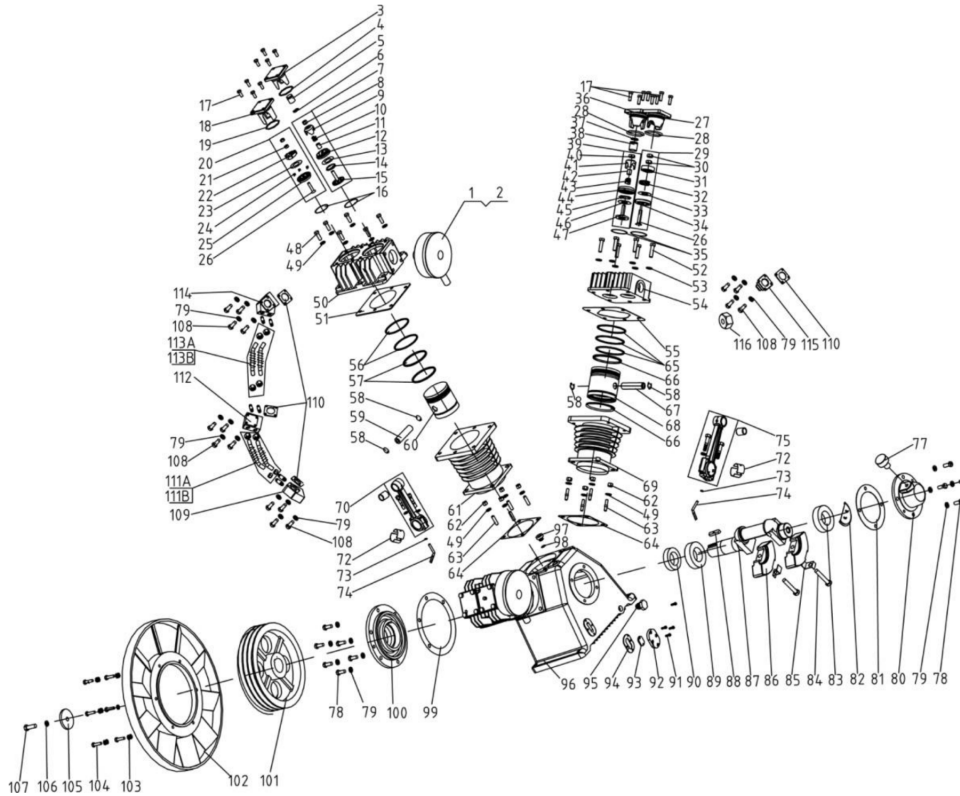
Id	Item #	Description	Quantity	Rev	Comments
1	32-0490	OVERLOAD RELAY (AX-0052) 200V 3 PHASE	1		
1	32-0485	OVERLOAD RELAY (AX-0053) 230V 3 PHASE	1		
1	32-0484	OVERLOAD RELAY (AX-0054) 460V 3 PHASE	1		
2	32-0700	CONTACTOR (AX-0052) 200V 3 PHASE	1		
2	32-0232	CONTACTOR (AX-0053) 230V 3 PHASE	1		
2	32-0329	CONTACTOR (AX-0054) 460V 3 PHASE	1		
3	32-079901	ELECTRIC BOX	1		
4	27-8835	SCREW	5		
5	28-0001	WASHER	3		
6	32-0316	DIN RAIL (ONE FOOT REQUIRED)	1		
7	30-6001	NUT	3		
8	28-1009	STAR WASHER	6		
9	27-8807	BOLT	1		
11	32-0253	CONDUIT *(FOUR FEET REQUIRED)	1		
12	20-1037A01	MOUNTING PLATE	1		
13	30-0157	LOCKNUT	2		

<b>Id</b>	<b>Item #</b>	<b>Description</b>	<b>Quantity</b>	<b>Rev</b>	<b>Comments</b>
14	28-0003	WASHER	4		
15	27-0067	BOLT	2		
16	20-0723A06	CONTROL PANEL	1		
17	32-0255	CONDUIT FITTING	2		
18	32-0487	CONDUIT ELBOW	1		
19	32-0488	CONDUIT STRAIGHT	1		
20	32-0486	CONDUIT *(TWO FEET REQUIRED)	1		
21	32-0313	TRANSFORMER	1		
22	32-0467	FUSE	2		
23	32-0323	FUSE	1		
	32-1006	ELEC. REDUCING WASHER 1" TO 1/2"	2		



AM2-HE15-120M / AM2-HE15-120M (sn:0-99999999)

## PUMP ASSEMBLY



Id	Item #	Description	Quantity	Rev	Comments
1	19-0259	AIR STRAINER ASSEMBLY	2		
2	19-0260	AIR FILTER ELEMENT (NOT SHOWN)	1		
3	N/A	INLET VALVE PUSH COVER (1ST)	2		
4	25-0614	O-RING G 65 (INLET VALVE 1ST)	2		
5	46-1350	UNLOADER PISTON (1ST)	2		
6	25-0615	VITON O-RING P 22A (UNLOADER 1ST)	2		
7	8-0602	INLET VALVE ASSEMBLY (1ST)	2		
8	N/A	LOCKNUT; M12 (INLET VALVE 1ST)	2		
9	N/A	INLET VALVE UNLOADER FORK (1ST)	2		
10	N/A	INLET VALVE UNLOADER FORK GUIDE (1ST)	2		
11	N/A	UNLOADER SPRING (1ST)	2		
12	N/A	INLET VALVE SEAT (1ST)	2		
13	N/A	INLET VALVE PLATE (1ST)	2		

<b>Id</b>	<b>Item #</b>	<b>Description</b>	<b>Quantity</b>	<b>Rev</b>	<b>Comments</b>
14	N/A	INLET VALVE SPRING (1ST)	2		
15	N/A	INLET VALVE RECEIVER (1ST)	2		
16	26-0340	INLET & OUTLET VALVE GASKET (1ST)	4		
17	N/A	OUTLET VALVE PUSH COVER BOLT; M10 X 25MM	24		
18	N/A	OUTLET VALVE PUSH COVER (1ST)	2		
19	25-0616	VITON O-RING G 65 (OUTLET VALVE 1ST)	2		
20	8-0603	OUTLET VALVE ASSEMBLY (1ST)	2		
21	N/A	NUT; M10 (OUTLET VALVE 1ST)	4		
22	N/A	OUTLET VALVE RECEIVER (1ST)	2		
23	N/A	OUTLET VALVE PLATE (1ST)	2		
24	N/A	OUTLET VALVE SPRING (1ST)	6		
25	N/A	OUTLET VALVE SEAT (1ST)	2		
26	N/A	OUTLET VALVE BOLT; M10 X 50MM (1ST)	3		
27	N/A	OUTLET VALVE PUSH COVER (2ND)	1		
28	25-0608	VITON O-RING G 55 (OUTLET VALVE 2ND)	2		
29	8-0605	OUTLET VALVE ASSEMBLY (2ND)	1		
30	N/A	NUT; M8 (OUTLET VALVE 2ND)	1		
31	N/A	OUTLET VALVE RECEIVER (2ND)	1		
32	N/A	OUTLET VALVE SPRING (2ND)	1		
33	N/A	OUTLET VALVE PLATE (2ND)	1		
34	N/A	OUTLET VALVE SEAT (2ND)	1		
35	26-0333	INLET & OUTLET GASKET (2ND)	2		
36	N/A	INLET VALVE PUSH COVER (2ND)	1		
37	25-0610	VITON O-RING P 21 (UNLOADER 2ND)	1		
38	46-1346	UNLOADER PISTON (2ND)	1		
39	8-0604	INLET VALVE ASSEMBLY (2ND)	1		
40	N/A	LOCKNUT; M10 (VALVE 2ND)	3		
41	N/A	INLET VALVE UNLOADER FORK (2ND)	1		
42	N/A	UNLOADER SPRING (2ND)	1		
43	N/A	INLET VALVE UNLOADER FORK GUIDE (2ND)	1		
44	N/A	INLET VALVE SEAT (2ND)	1		
45	N/A	INLET VALVE PLATE (2ND)	1		
46	N/A	INLET VALVE SPRING (2ND)	1		
47	N/A	INLET VALVE RECEIVER (2ND)	1		
48	N/A	CYLINDER HEAD BOLT (1ST); M12 X 35MM	12		
49	N/A	CYLINDER HEAD BOLT SPRING WASHER; M12	12		
50	N/A	CYLINDER HEAD (1ST)	2		
51	26-0341	HEAD - CYLINDER GASKET (1ST)	2		
52	N/A	CYLINDER HEAD BOLT (2ND); M10 X 100MM	6		

<b>Id</b>	<b>Item #</b>	<b>Description</b>	<b>Quantity</b>	<b>Rev</b>	<b>Comments</b>
53	N/A	CYLINDER HEAD BOLT SPRING WASHER; M10	6		
54	N/A	CYLINDER HEAD (2ND)	1		
55	26-0335	HEAD - CYLINDER GASKET (2ND)	1		
56	N/A	COMPRESSION RING (1ST)	4		
57	N/A	OIL CONTROL RING (1ST)	4		
58	N/A	PISTON PIN SNAP RING (1ST)	6		
59	N/A	PISTON PIN (1ST)	2		
60	N/A	PISTON (1ST)	2		
61	N/A	CYLINDER (1ST)	2		
62	N/A	CYLINDER NUT; M12	12		
63	N/A	CYLINDER BOLT; M12 X 46MM	12		
64	26-0342	CYLINDER - CASE GASKET	2		
65	N/A	COMPRESSION RING (2ND)	3		
66	N/A	OIL CONTROL RING (2ND)	2		
67	N/A	PISTON PIN (2ND)	1		
68	N/A	PISTON (2ND)	1		
69	N/A	CYLINDER (2ND)	1		
70	N/A	CONNECTING ROD ASSEMBLY (1ST)	2		
71	N/A	CONNECTING ROD - PISTON PIN BUSHING (1ST)	2		
72	N/A	CONNECTING ROD CRANK PIN METAL (1ST)	6		
73	N/A	OIL SPLASH DIPPER	3		
74	N/A	OIL SPLASH DIPPER NUT; M8	3		
75	N/A	CONNECTING ROD ASSEMBLY (2ND)	1		
76	N/A	CONNECTING ROD - PISTON PIN NEEDLE BEARING (2ND)	1		
77	46-1345	BREATHER ASSEMBLY (RUBBER)	1		
78	N/A	REAR BEARING COVER BOLT; M10 X 25MM	10		
79	N/A	REAR BEARING COVER BOLT COPPER WASHER; M10	26		
80	N/A	REAR BEARING COVER	1		
81	26-0343	REAR BEARING COVER GASKET	1		
82	N/A	OIL BAFFLE	1		
83	N/A	REAR BEARING	1		
84	N/A	CRANKSHAFT COUNTERWEIGHT BOLT; M12 X 72MM	2		
85	N/A	CRANKSHAFT COUNTERWEIGHT LOCKWASHER	2		
86	N/A	CRANKSHAFT COUNTERWEIGHT	1		
87	N/A	CRANKSHAFT	1		
88	N/A	V-PULLEY PIN	1		
89	N/A	FRONT BEARING	1		
90	N/A	FRONT OIL SEAL	1		
91	N/A	OIL LEVEL GLASS BOLT; M5 X 20MM	4		

<b>Id</b>	<b>Item #</b>	<b>Description</b>	<b>Quantity</b>	<b>Rev</b>	<b>Comments</b>
92	N/A	OIL LEVEL GLASS PUSH COVER	1		
93	N/A	OIL LEVEL GLASS ASSEMBLY	1		
94	N/A	OIL LEVEL GLASS GASKET	1		
95	N/A	CRANKCASE OIL PLUG (1/2 NPT)	1		
96	N/A	CRANKCASE	1		
97	N/A	OIL FILL CAP	1		
98	N/A	O-RING (OIL FILL CAP)	1		
99	26-0344	FRONT BEARING COVER GASKET	1		
100	N/A	FRONT BEARING COVER	1		
101	N/A	COMPRESSOR PULLEY	1		
102	N/A	COMPRESSOR FAN	1		
103	N/A	COMPRESSOR FAN SPRING WASHER; M8	6		
104	N/A	COMPRESSOR FAN BOLT; M8 X 30MM	6		
105	N/A	COMPRESSOR PULLEY THRUST WASHER	1		
106	N/A	COMPRESSOR PULLEY SPRING WASHER; M12	1		
107	N/A	COMPRESSOR PULLY BOLT; M12 X 50MM	1		
108	N/A	OUTLET PIPING JOINT BOLT; M10 X 65MM	16		
109	N/A	OUTLET PIPING JOINT	1		
110	N/A	GASKET MANIFOLD	4		
111a	N/A	DISCHARGE PIPING ASSEMBLY (LONG) (1ST)	1		
111b	N/A	DISCHARGE PIPING ASSEMBLY (SHORT) (1ST)	1		
112	N/A	OUTLET PIPING JOINT	1		
113a	N/A	DISCHARGE PIPING ASSEMBLY (LONG) (2ND)	1		
113b	N/A	DISCHARGE PIPING ASSEMBLY (SHORT) (2ND)	1		
114	N/A	OUTLET PIPING JOINT	1		
115	N/A	OUTLET PIPING JOINT	1		
116	N/A	OUTLET PIPING JOINT NUT	1		
117	N/A	UNLOADER ELBOW	1		
118	N/A	UNLOADER TUBE ASSEMBLY	2		
119	N/A	UNLOADER COPPER TEE	2		
120	N/A	UNLOADER CONNECTION FERRULE	1		
121	N/A	UNLOADER TUBE NUT	1		
KIT	70-0532	GASKET KIT (INCLUDES #'S 16, 35, 51, 55, 64, 81, 99)	1		