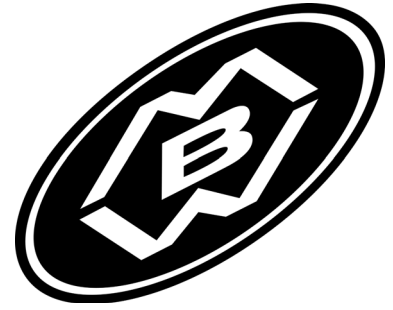


OPERATOR'S SAFETY AND SERVICE MANUAL



SP80 SP125 SP160

This manual covers the following serial numbers and higher for each model listed:

SP80	3830125
SP125	3830125
SP160	3830125







SOIL PICK

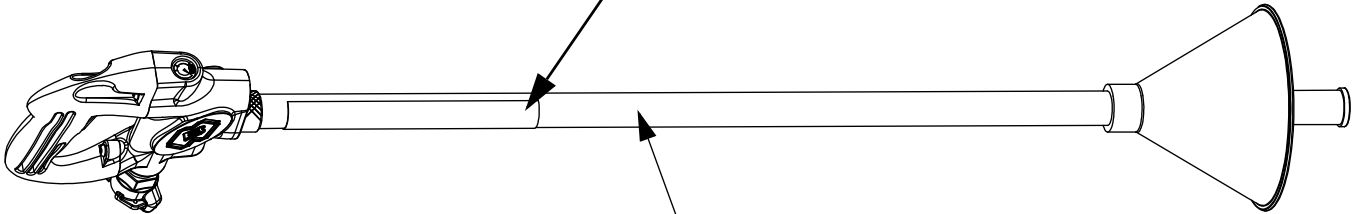
MBW, Inc.
250 Hartford Rd • PO Box 440
Slinger, WI 53086-0440
Phone: (262) 644-5234
Fax: (262) 644-5169
Email: mbw@mbw.com
Website: www.mbw.com


MBW Europe Ltd.
Units 2 & 3 Cochrane Street
Bolton BL3 6BN, England
Phone: 01204 387784
Fax: 01204 387797
Email: saleseurope@mbw.com
website: mbweurope.com

L3847 / 07.19.S
©MBW, Inc. 2019
Printed in the USA

US PATENT #5,170,943  	<ul style="list-style-type: none"> • MINIMIZE SCATTER BY KEEPING BOTTOM OF DEFLECTOR SHIELD THREE INCHES (3") ABOVE NOZZLE. 		WARNING High pressure air/skin puncture hazard. Do not point nozzle at people.
	<ul style="list-style-type: none"> • PULL TRIGGER AND CHECK PRESSURE GAUGE. IF INDICATED PRESSURE IS NOT BETWEEN 100 AND 125 PSI (INDICATED BY A GREEN SECTION ON SOME GAUGES), INCREASE AIR SUPPLY BEFORE PROCEEDING. 		CAUTION Flying debris and loud noise hazard. Wear ear and eye protection.

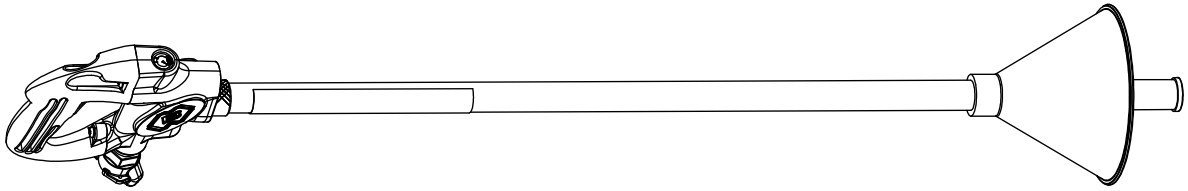
17762



	<h1>WARNING</h1>
<p>Operating, servicing and maintaining this equipment can expose you to chemicals, including engine exhaust, phthalates and lead, which are known to the state of California to cause cancer and birth defects or other reproductive harm. Avoid breathing engine exhaust. Do not operate equipment in confined areas. For more information go to www.P65Warnings.ca.gov</p>	

21820

SPECIFICATIONS

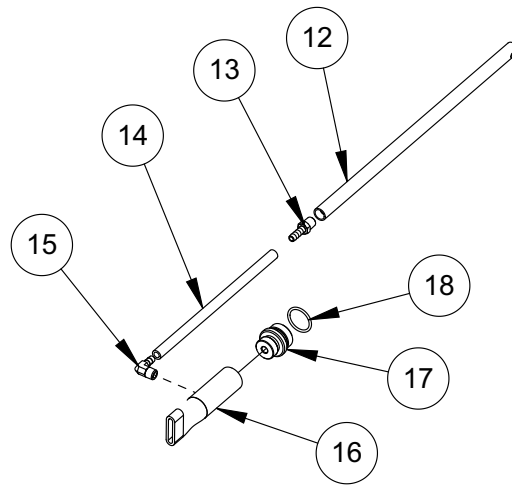
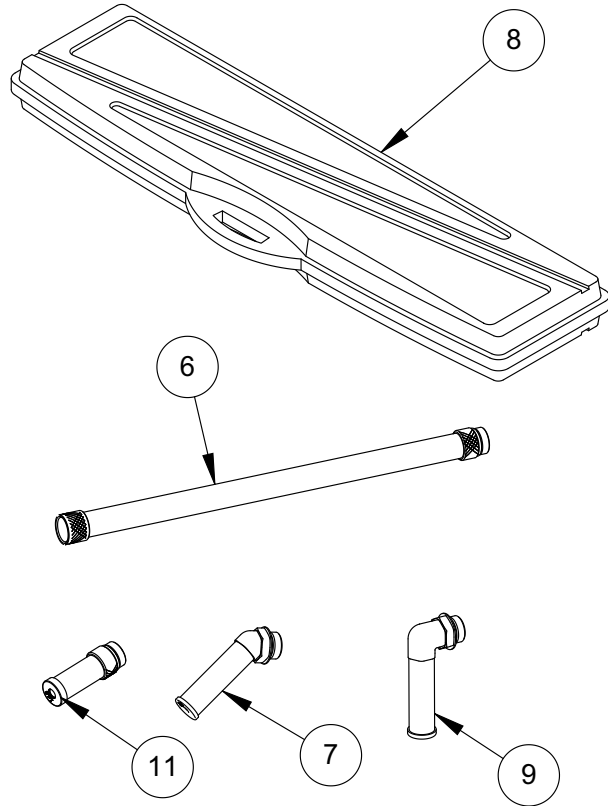
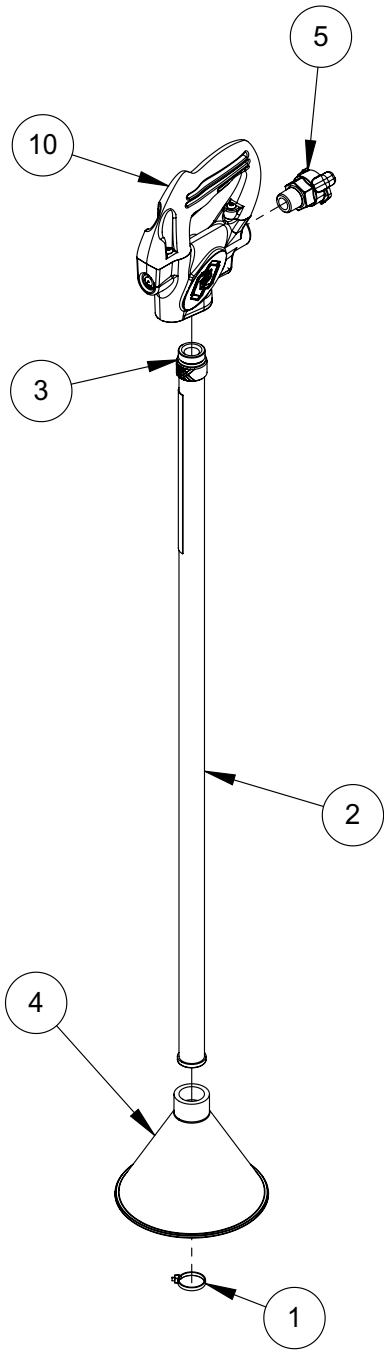


SP125

	SP80	SP125	SP160
Volume of Air	80 cfm (38 L/s)	125 cfm (59 L/s)	160 cfm (76 L/s)
Minimum Operating Pressure	100 psi (689 kPa)	100 psi (689 kPa)	100 psi (689 kPa)
Maximum Operating Pressure	175 psi (1210 kPa)	175 psi (1210 kPa)	175 psi (1210 kPa)
Exit Velocity	1476 mph (660 M/s)	1476 mph (660 M/s)	1476 mph (660 M/s)
Cutting Edge¹	4 in (10 cm)	4 in (10 cm)	8 in (20 cm)
Operating Weight	6.7 lbs (3.0 kg)	6.7 lbs (3.0 kg)	6.7 lbs (3.0 kg)
Noise Level²	100 dBA	100 dBA	100 dBA

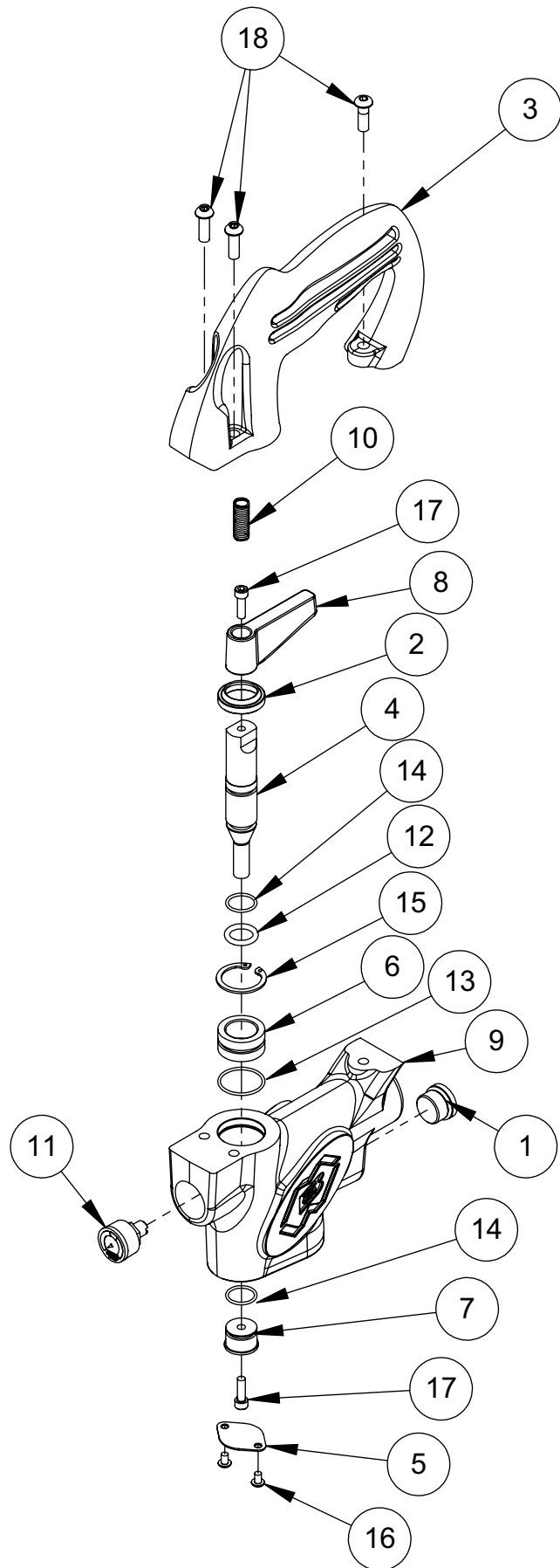
1. Cutting edge will vary with different soil conditions.
2. Noise levels based upon normal operating conditions.

Specifications subject to change without notice



Main Assembly

ITEM	PART NO.	DESCRIPTION	QTY
1.	01291	CABLE TIE	1
2.	21167	BARREL ASSEMBLY, 65 CFM (Includes 1,3,4)	
	03820	BARREL ASSEMBLY, 80 CFM (Includes 1,3,4)	1
	03813	BARREL ASSEMBLY, 125 CFM (Includes 1,3,4)	1
	17594	BARREL ASSEMBLY, 160 CFM (Includes 1,3,4)	1
3.	03817	O-RING	1
4.	03829	DEFLECTOR	1
5.	03841	FITTING, COUPLER DIXON AM-7 (CLAW COUPLER)	1
	17599	FITTING, COUPLER, DIXON DML12 (QUICK CONNECT)	1
6.	03848	BARREL ASM, 42" EXTENSION	1
	03849	BARREL ASM, 21" EXTENSION	1
	21613	BARREL ASM, 36-1/4 EXTENSION (INCLUDES 03829 DEFLECTOR)	1
	17748	NOZZLE, 80CFM, 45 DEG	1
	17749	NOZZLE, 125CFM, 45 DEG	1
	17750	NOZZLE, 160CFM, 45 DEG	1
8.	19358	KIT, CASE, SOIL PICK	1
9.	19750	NOZZLE, 65 CFM, 90 DEG	1
	19751	NOZZLE, 80 CFM, 90 DEG	1
	19749	NOZZLE, 125 CFM, 90 DEG	1
	19752	NOZZLE, 160 CFM, 90 DEG	1
10.	20450	HANDLE ASM, ERGO	1
11.	21609	BARREL ASM, 65 CFM, 2-1/2"	1
	21608	BARREL ASM, 80 CFM, 2-1/2"	1
	21377	BARREL ASM, 125 CFM, 2-1/2"	1
	21610	BARREL ASM, 160 CFM, 2-1/2"	1
12.	21441	INLET PIPE	1
13.	21442	FITTING, 1/4 NPT X 5/16 HOSE	1
14.	21443	HOSE, 5/16 X 10'	1
15.	21375	ELBOW, 5/16 HOSE X 1/4 NPT	1
16.	21379	SPRAY NOZZLE, PAINTED	1
17.	21373	ADAPTER, SPRAYER, 125 CFM	1
18.	03817	ORING, TUBE ADAPTER END	1
	21372	SPRAYER NOZZLE, 125 CFM (INCLUDES ITEMS 12-18)	



Handle Assembly

