

DIAMOND
PRODUCTS

CONCRETE SAW
PARTS LIST

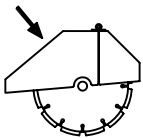
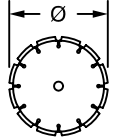
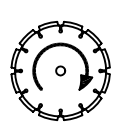
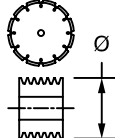

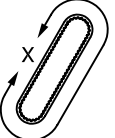
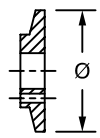
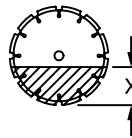
MODEL
CC6560XLS

August 2007

Part #1800821

⚠ WARNING: NEVER EXCEED THE MAXIMUM RPM STAMPED ON BLADE!
 Excessive speed can cause blade breakage resulting in serious personal injury or death!

CC6560XLS RPM CHART

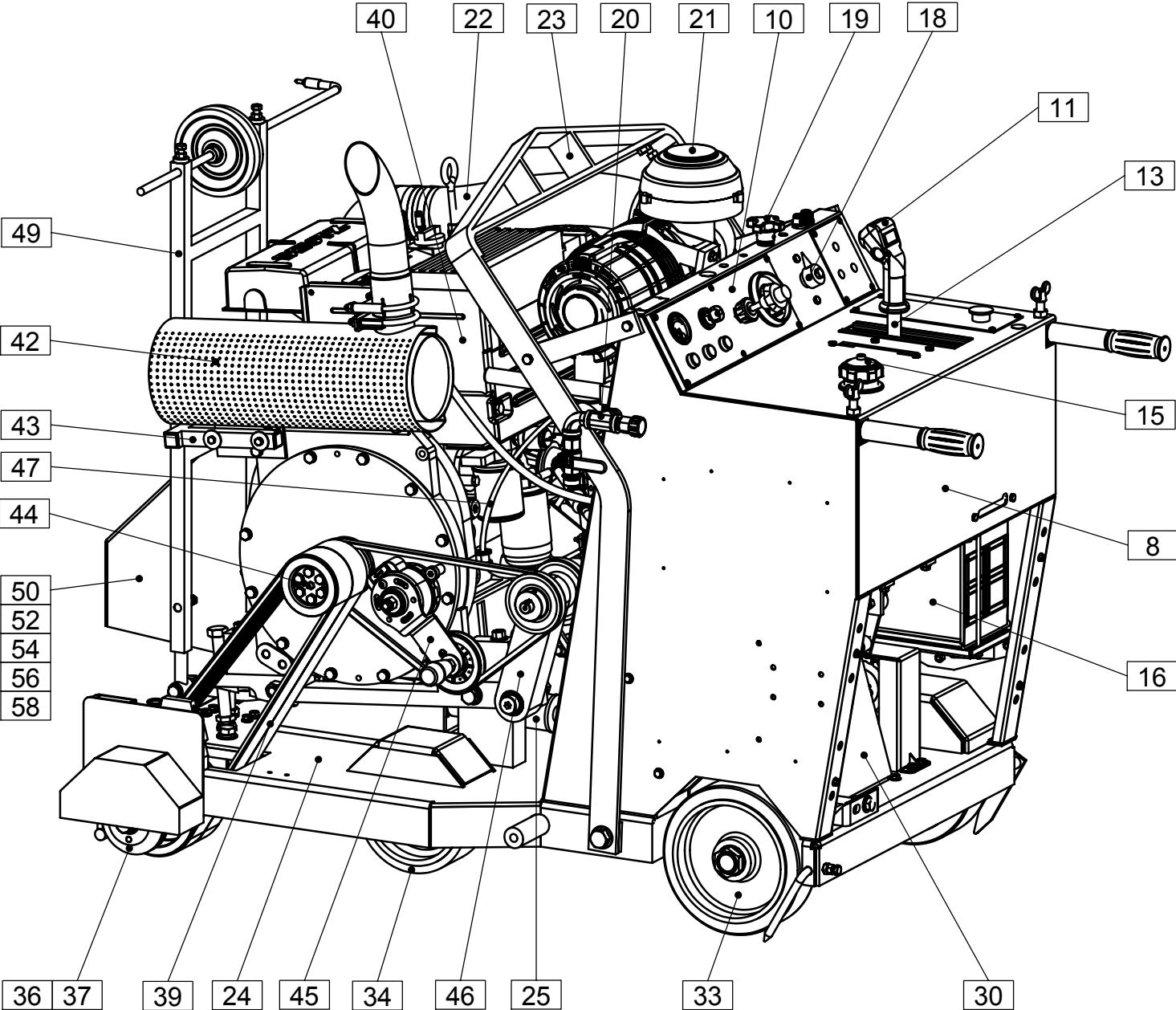
GUARD SIZE	BLADE SIZE	RECOMMENDED BLADE RPM	BLADESHAFT SHEAVE	ENGINE RPM	BELT SIZE	FLANGE SIZE	DEPTH OF CUT				
14"	14"	3,000	4"	3,000	3VX530	4-1/2"	4-1/2"				
20"	16"	2,675	4-1/2"	3,000			4-1/2"	5-1/2"			
	18"	2,675		3,000				6-1/2"			
	20"	2,500		2,800				7-1/2"			
26"	22"	2,400		2,700				8-1/2"			
	24"	2,200		2,475				9-1/2"			
	26"	2,100		2,350				10-1/2"			
30"	26"	2,000		6"				3,000	3VX560	6"	9-3/4"
	28"	1,900						2,850			10-3/4"
	30"	1,800						2,700			11-3/4"
36"	32"	1,700			2,550	12-3/4"					
	34"	1,600	2,400		13-3/4"						
	36"	36"	1,500		2,250	14-3/4"					
											

⚠ WARNING ⚠
 The engine exhaust from this product contains chemicals known to the State of California to cause cancer, birth defects or other reproductive harm.

Table of Contents

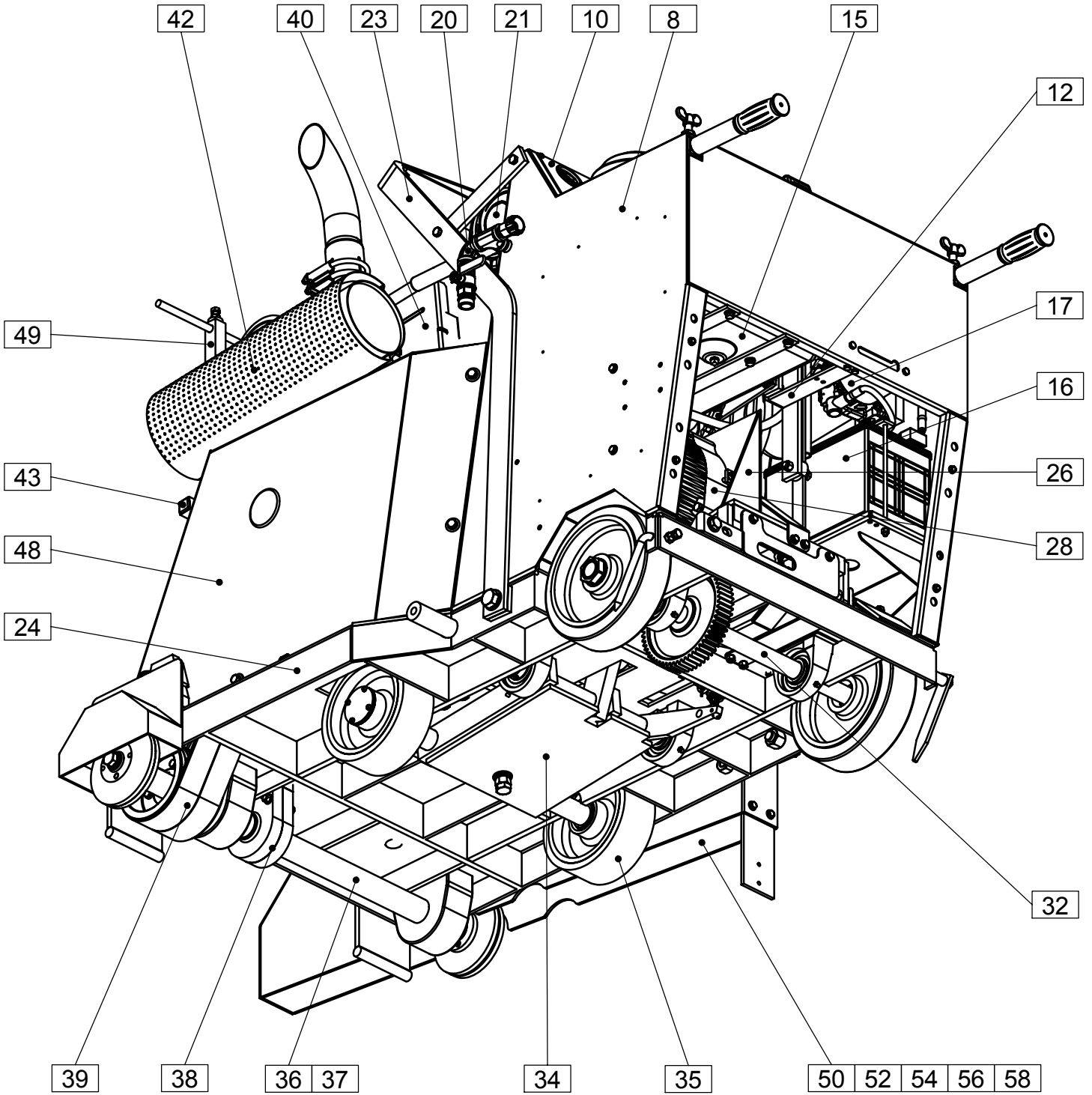
Pictorial Index.....	4,5	Engine Assembly.....	40,41
Controls Legend.....	6	Muffler Assembly.....	42
Quick Reference Service Filters / Belts.....	7	Pointer Stop Assembly.....	43
Frame Upright Assembly.....	8,9	4" PTO Assembly.....	44
Instrument Panel Assembly.....	10	Rotary Tensioner Assembly.....	45
Control Grip Assembly.....	11	Transmission Jackshaft Assembly.....	46
Control Lever Assembly (Eaton).....	12	Throttle Cable Assembly.....	47
Control Lever Assembly (Sundstrand).....	13	Belt Guard Assembly.....	48
Fuel Supply Assembly.....	14	Front Pointer Assembly.....	49
Fuel Tank Assembly.....	15	14" Blade Guard Assembly.....	50,51
Battery Assembly.....	16	20" Blade Guard Assembly.....	52,53
Hydraulic Pump Assembly.....	17	26" Blade Guard Assembly.....	54,55
Depth Indicator Assembly.....	18	30" Blade Guard Assembly.....	56,57
Depth Stop Assembly.....	19	36" Blade Guard Assembly.....	58,59
Water Supply Assembly.....	20	Optional Water Pump Assembly.....	60
Air Cleaner Assembly.....	21	Optional Water Safety Switch Assembly.....	61
Air Intake Assembly.....	22	Optional Spot Light Assembly.....	62
Frame Lift Assembly.....	23	Optional Magnetic Spot Light Assembly.....	63
Frame Base Assembly.....	24	Optional Glow Plug Assembly.....	64
Hydraulic Cylinder Assembly.....	25	Optional Speed Metering Valve Assembly.....	65
Rear Drive Assembly (Eaton).....	26,27	Optional Free Wheeling Clutch Assembly.....	66,67
Eaton Transmission Assembly.....	28	Optional Parking Brake Assembly.....	68,69
Linkage Assembly.....	29	Optional Blade Stacking Assembly.....	70,71
Rear Drive Assembly (Sundstrand).....	30,31	Optional Blade Spacing Assembly.....	72,73
Rear Axle Assembly (Eaton / Gear).....	32	Optional Blade Spacing Assembly.....	74,75
Rear Axle Assembly (Sundstrand / Chain).....	33	Optional Side Plunge Assembly.....	76,77
Front Axle Assembly.....	34	Optional Oil Bath Blade Shaft Assembly.....	78-81
Front Wheel Assembly.....	35	Optional Oil Expansion Tank Assembly.....	82
Blade Shaft Assembly (Blades 14" – 26").....	36	Decal Group.....	83
Blade Shaft Assembly (Blades 30" – 36").....	37	Wiring Diagram.....	84,85
Shaft Tach Gear Assembly.....	38	Options Wiring Diagram.....	86
Belt Drive Assembly.....	39	Blade Speed Conversion Charts.....	87
		Warranty.....	88

Pictorial Page Index



Shown with Sundstrand Transmission

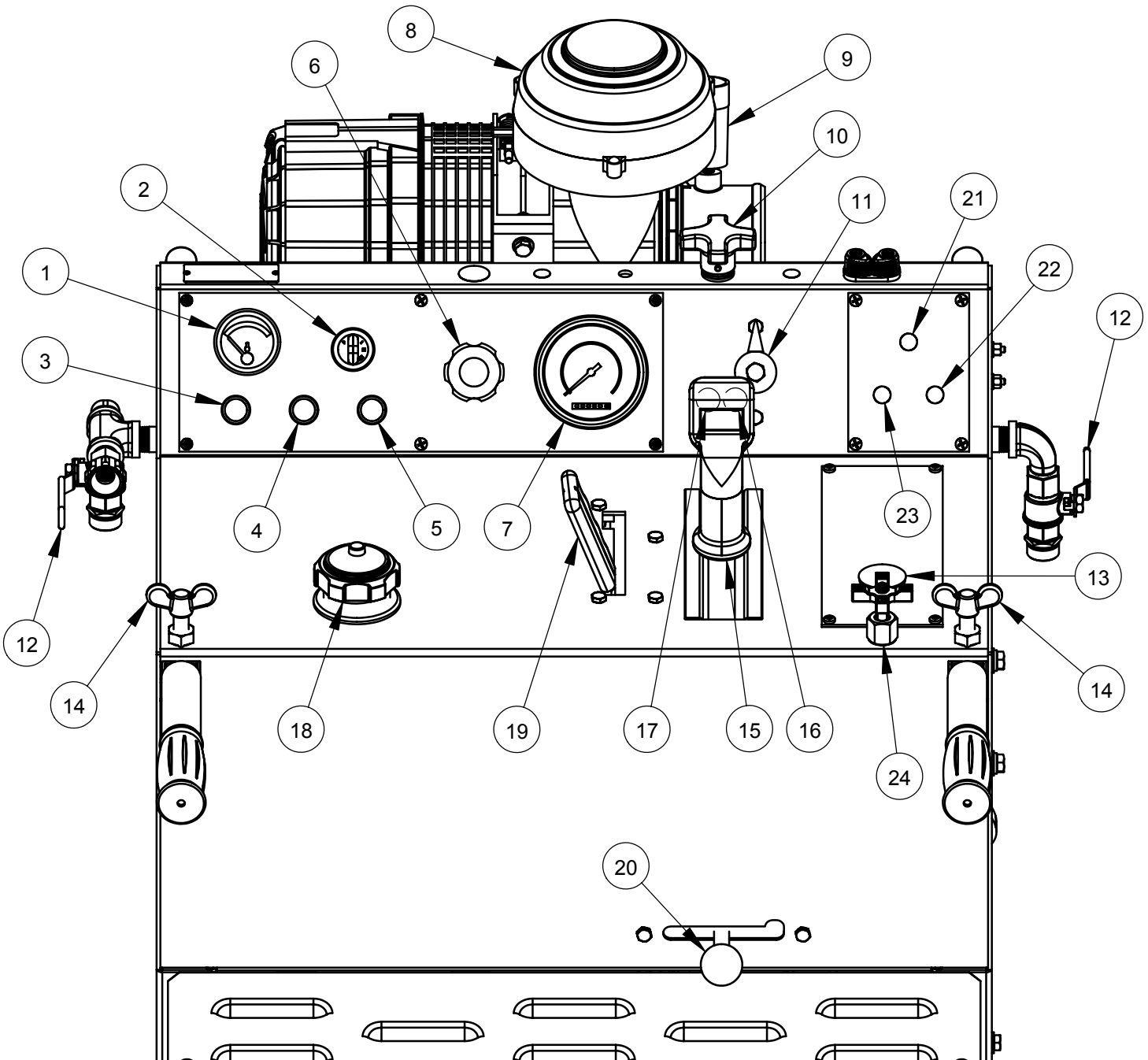
Pictorial Page Index



Shown with Eaton Transmission

Controls Legend

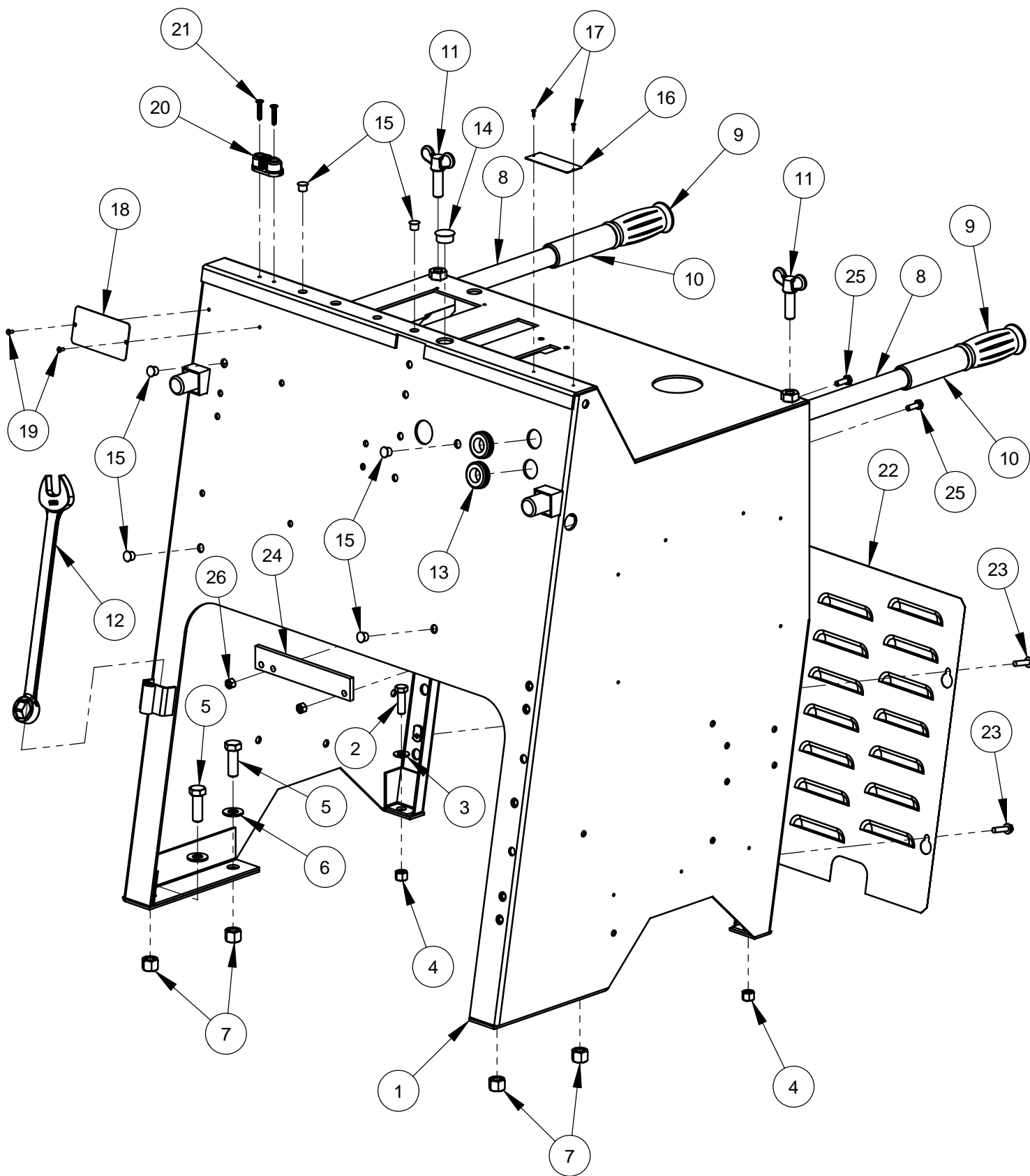
- | | |
|-------------------------------------|---|
| 1 Engine Temperature Gauge | 14 Handle Lock Knobs |
| 2 Ignition Switch | 15 Speed Control Lever |
| 3 Alternator Light | 16 Lower Pushbutton |
| 4 Oil Temperature Light | 17 Raise Pushbutton |
| 5 Oil Pressure Light | 18 Fuel Tank Cap |
| 6 Vernier Throttle Control | 19 Transmission Engagement Lever * |
| 7 Blade Tachometer / Hour Meter | 20 Transmission Engagement Lever ** |
| 8 Pre-Cleaner | 21 Water Safety Switch (Optional) |
| 9 Air Cleaner Restriction Indicator | 22 Spotlight Switch (Optional) |
| 10 Depth Stop Knob | 23 Water Pump Switch (Optional) |
| 11 Cutting Depth Indicator | 24 Lowering Speed Metering Valve (Optional) |
| 12 Water Valve | |
| 13 Emergency Stop Button | |
- * For Eaton Transmission Only
** Optional for Sundstrand Transmission Only



Quick Reference Service Filters / Belts

DP Part No.	Description	Manufacturer's Part No.
2701775	Engine Oil Filter	(Deutz #1174416)
2701339	Engine Fuel Filter	(Deutz #1174482)
2501785	In-Line Fuel Tank Filter	(Wix #33007)
2501386	Outer Primary Air Filter	(Donaldson #P827653)
2501387	Inner Safety Air Filter	(Donaldson #P829332)
2502041	Blade Shaft Belt Set	(Gates #5/3VX530)
2502042	Blade Shaft Belt Set	(Gates #5/3VX560)
2501779	Sundstrand Transmission Belt	(Gates #AX29)
2501946	Eaton Transmission Belt	(Gates #AX39)
2501781	Engine to Jackshaft Belt	(Gates #AX42)

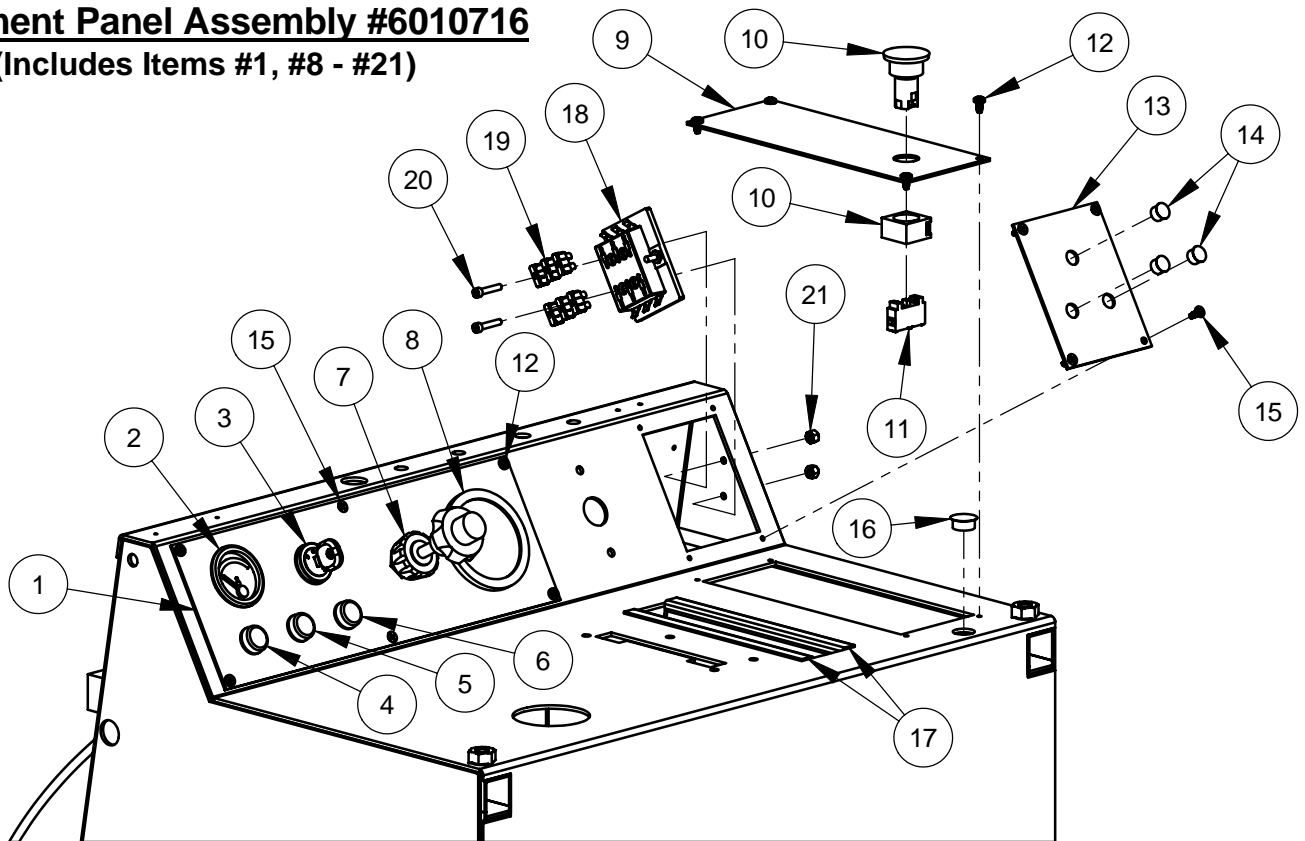
Frame Upright Assembly #6010715



Frame Upright Assembly #6010715

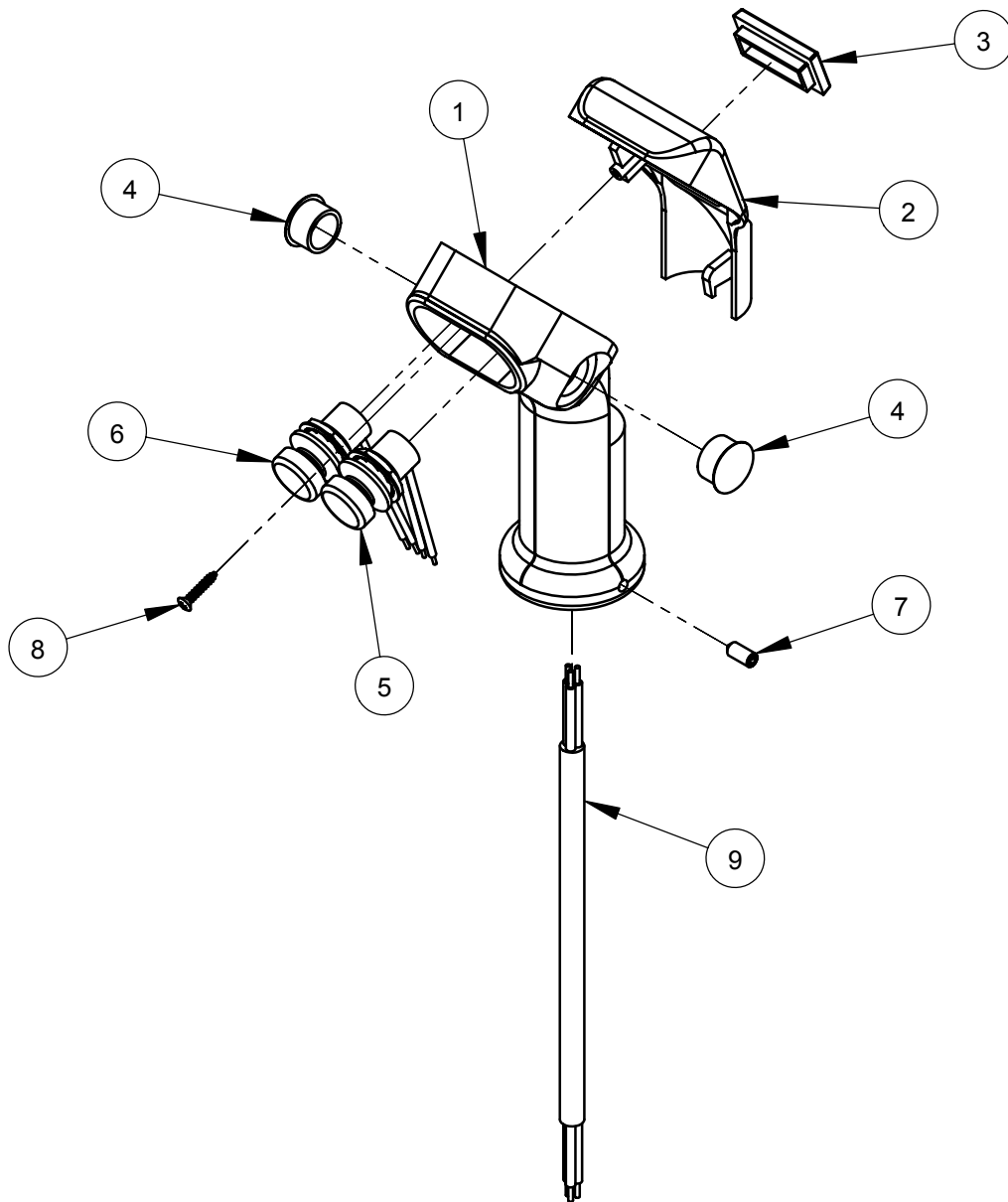
ITEM	PART NO.	QTY.	DESCRIPTION
1	6010687	1	Frame Upright Weldment
2	2900013	2	Cap Screw, Hex Hd., 3/8-16 x 1-1/4"
3	2900014	2	Flat Washer, 3/8" SAE
4	2900018	2	Lock Nut, 3/8-16 Nylon
5	2900499	4	Cap Screw, Hex Hd., 1/2-13 x 1-1/2"
6	2900058	4	Flat Washer, 1/2" SAE
7	2900026	4	Lock Nut, 1/2-13 Nylon
8	6010014	2	Handle Bar, 36" Long
9	2500636	2	Handle Grip
10	2501955	2	Handle Stop Grip
11	2900430	2	Hand Lock Knob, 1/2-13 x 1-1/2"
12	2503704	1	Wrench, 15/16" Combination
13	2500203	2	Grommet, 3/4" I.D.
14	2500549	1	Plug, 7/8" Hole
15	2501287	6	Plug, 7/16" Hole
16	1800169	1	Serial Number Plate, US
17	2900096	2	Rivet, 3/32" Dia.
18	1800377	1	Serial Number Plate, CE
19	2900287	2	Rivet, 1/8" Dia.
20	2501427	1	Cable Cleat
21	2900483	2	Tap Screw, Flat Hd., #10-24 x 1"
22	6010015	1	Rear Cover Screen
23	2900180	4	Cap Screw, Hex Flange Hd., 1/4-20 x 1"
24	6010166	1	Gate Cover Bar
25	2900144	2	Cap Screw, Hex Hd., 1/4-20 x 3/4"
26	2900010	2	Lock Nut, 1/4-20 Nylon

Instrument Panel Assembly #6010716
 (Includes Items #1, #8 - #21)



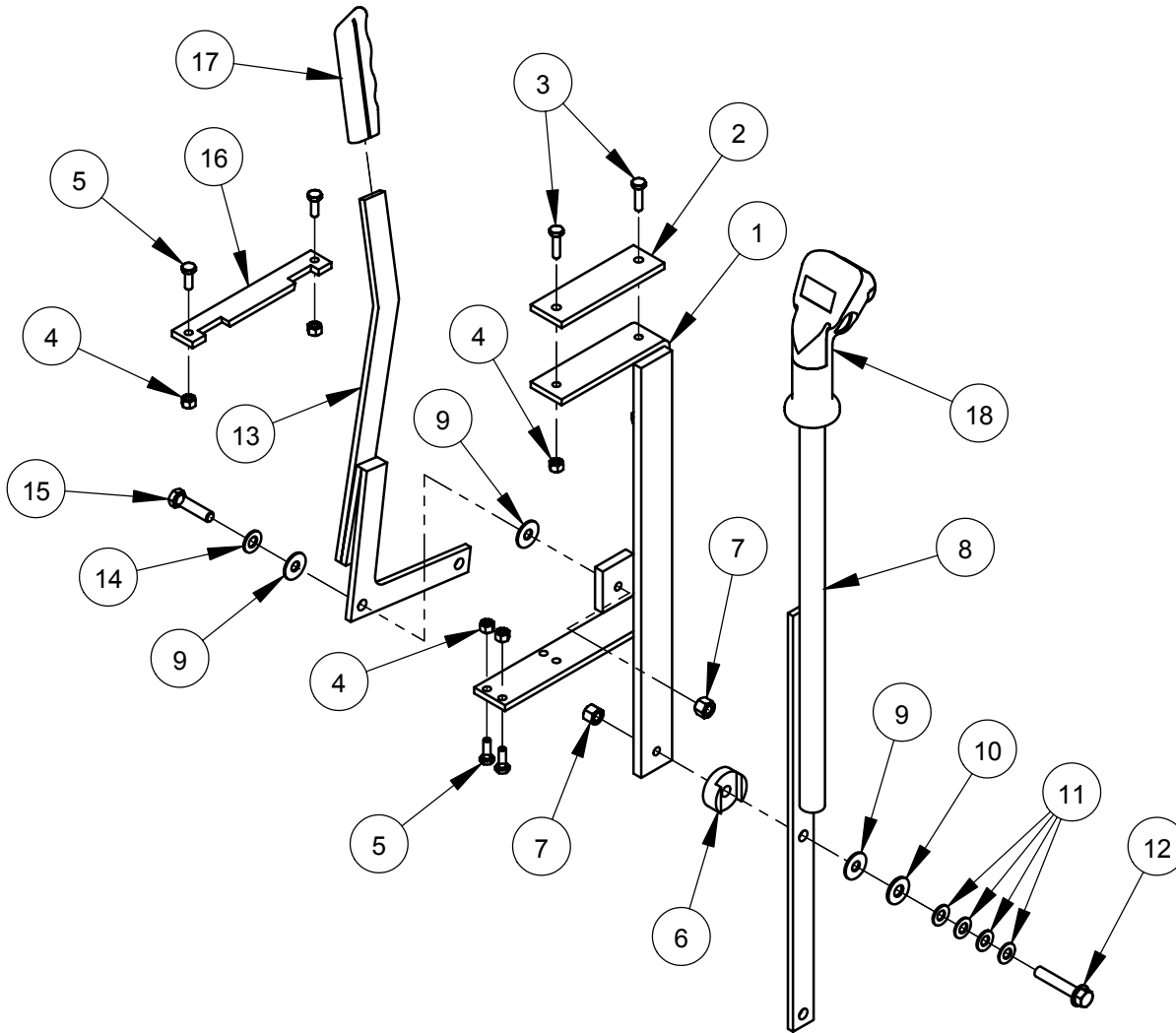
ITEM	PART NO.	QTY.	DESCRIPTION
1	6013093	1	Gauge Panel
2	2703192	1	Temperature Gauge, Pricol
3	2703194	1	Ignition Switch & Key
	2703195	1	Ignition Key Only, Double Cut
4	2700785	1	Alternator Light
5	2700787	1	Oil Temperature Light
6	2700786	1	Oil Pressure Light
7	2500376	1	Vernier Throttle Cable
8	6010416	1	Tach/Hour Meter (VDO) Calibrated
	2800611	2	Light Socket
	2800612	2	Light Bulb, Wedge Base
9	6010019	1	Hydraulic Pump Cover Plate
10	2800461	1	Emergency Stop Button
11	2800462	1	Contact Block, N.C.
12	2900021	8	Tap Screw, Pan Hd., #10-24 x 3/8"
13	6010098	1	Switch Plate
14	2500204	3	Plug, 1/2" Hole
15	2900445	6	Tap Screw, Flat Hd., #10-24 x 1/2"
16	2500463	1	Plug, 3/4" Hole
17	6010101	2	Edge Trim
18	2800388	1	Fuse Panel, 6 Circuit
19	2800389	6	Fuse, 10 Amp Red ATO/ATC
20	2900913	2	Cap Screw, Soc. Hd., #10-24 x 1"
21	2900017	2	Lock Nut, #10-24 Nylon

Control Grip Assembly #6010319



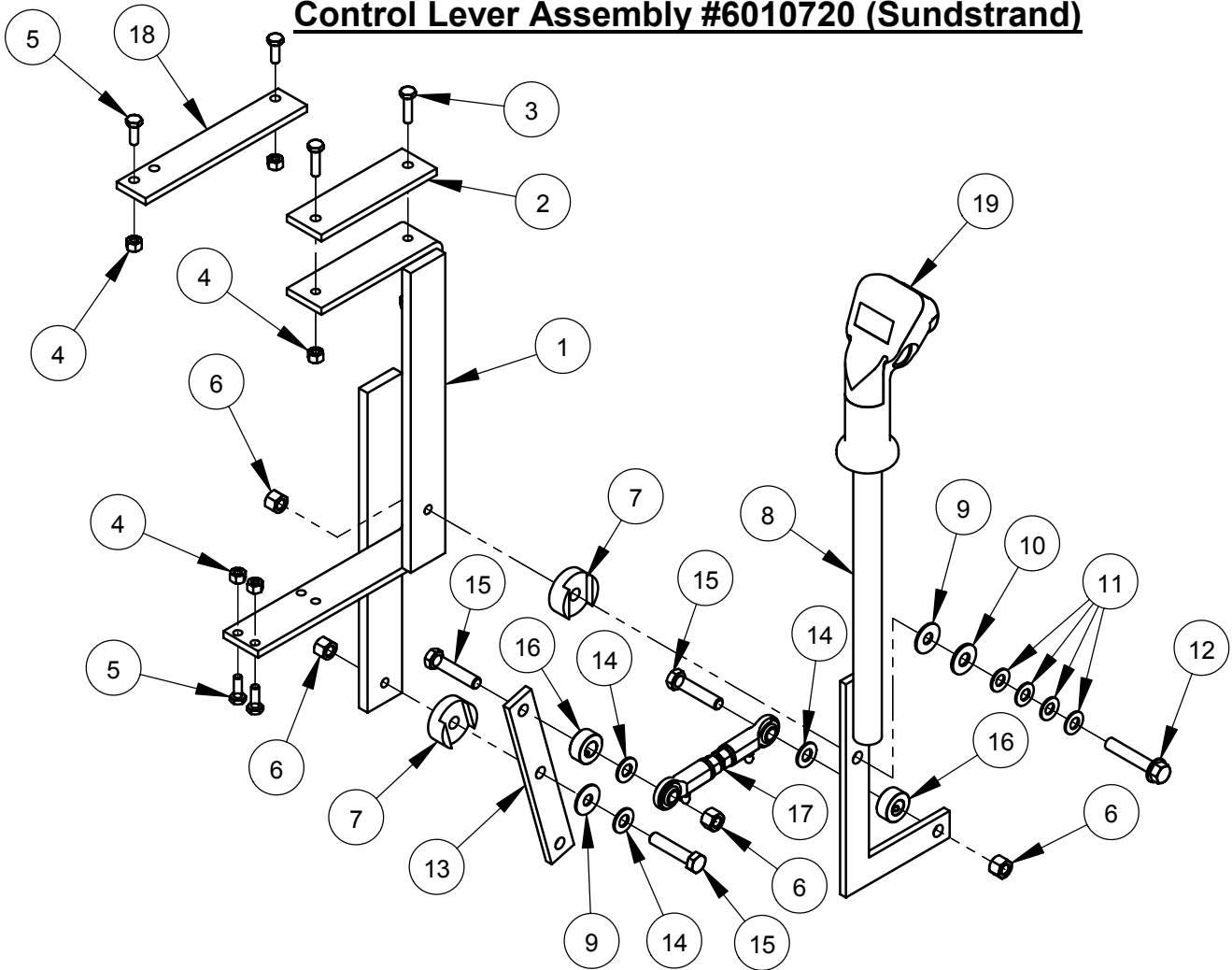
ITEM	PART NO.	QTY.	DESCRIPTION
1	2501280	1	Control Grip Body
2	2501281	1	Control Grip Cover
3	2500644	1	Plug, Rectangular
4	2500694	2	Plug, 5/8" Hole
5	2800372	1	Pushbutton Switch, Raise
6	2800373	1	Pushbutton Switch, Lower
7	2900453	1	Set Screw, Soc. Hd., M5 x 12mm
8	2900452	1	Machine Screw, Oval Hd., #4 x 5/8"
9	2800393	1	Harness, Hydraulic Pump

Control Lever Assembly #6010719 (Eaton)



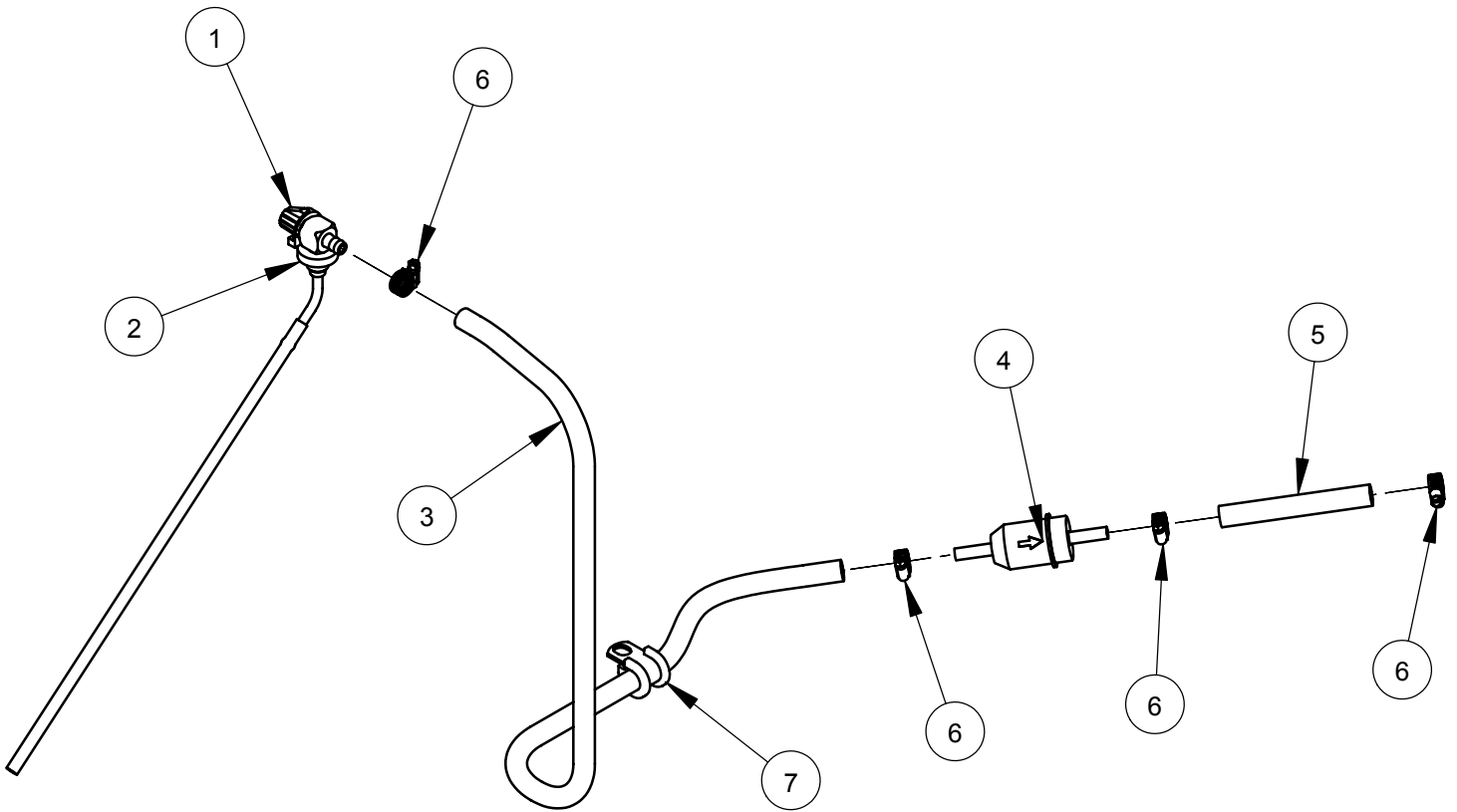
ITEM	PART NO.	QTY.	DESCRIPTION
1	6010056	1	Lever Support Weldment
2	2501339	1	Rubber Support Mount
3	2900008	2	Cap Screw, Hex Hd., 1/4-20 x 1"
4	2900010	6	Lock Nut, 1/4-20 Nylon
5	2900144	4	Cap Screw, Hex Hd., 1/4-20 x 3/4"
6	6010055	1	Friction Spacer
7	2900018	2	Lock Nut, 3/8-16 Nylon
8	6010314	1	Speed Control Lever
9	2900153	3	Friction Washer, 3/8"
10	2900473	1	Flat Washer, 3/8" USS
11	2900474	4	Belleville Washer, 3/8"
12	2900472	1	Cap Screw, Hex Flange Hd., 3/8-16 x 2"
13	6010057	1	Engagement Lever Weldment
14	2900014	1	Flat Washer, 3/8" SAE
15	2900029	1	Cap Screw, Hex Hd., 3/8-16 x 1-1/2"
16	6010058	1	Gate Plate
17	2500002	1	Lever Grip
18	6010319	1	Control Grip Assembly

Control Lever Assembly #6010720 (Sundstrand)



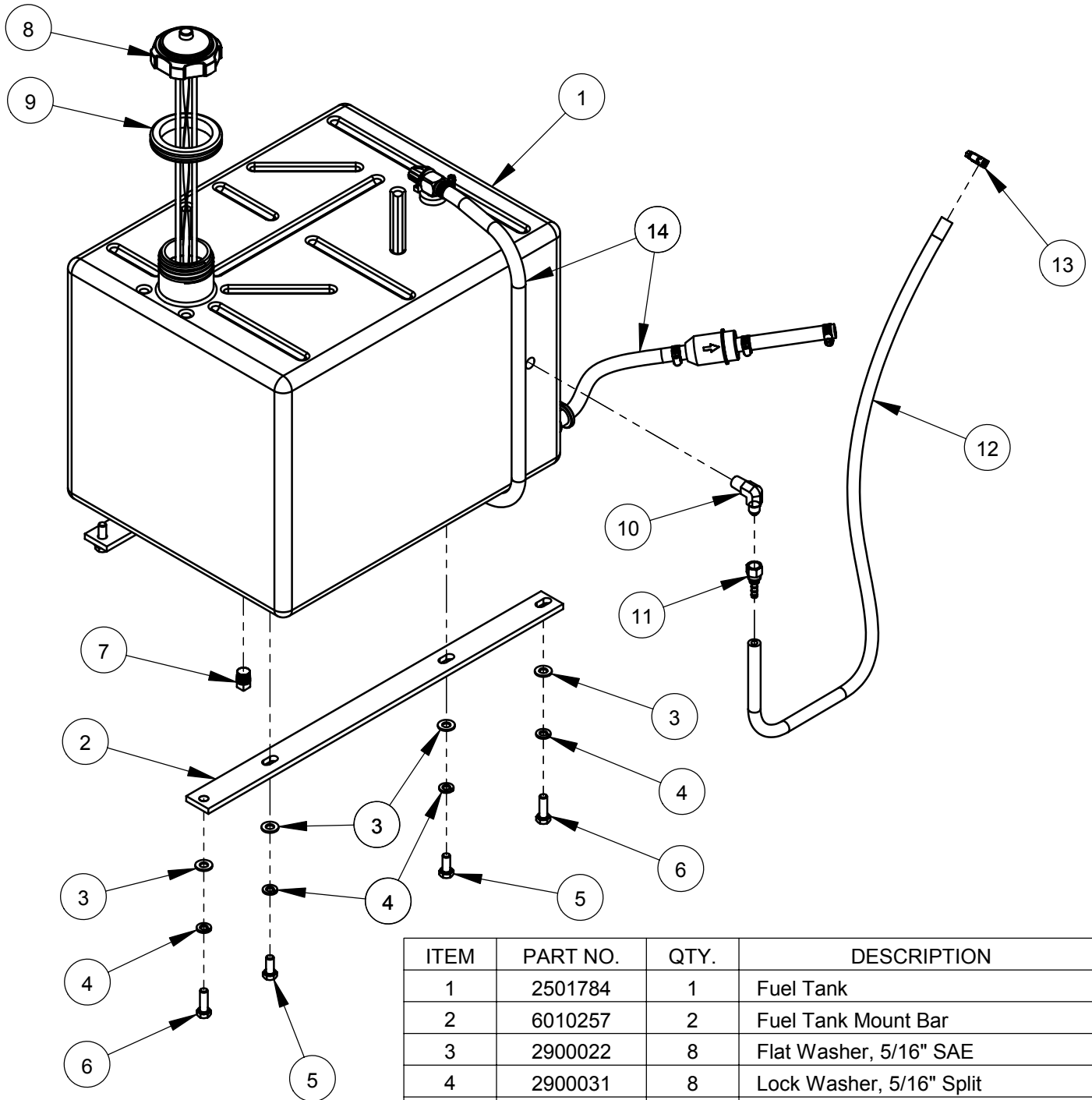
ITEM	PART NO.	QTY.	DESCRIPTION
1	6010122	1	Lever Support Weldment
2	2501339	1	Rubber Support Mount
3	2900008	2	Cap Screw, Hex Hd., 1/4-20 x 1"
4	2900010	6	Lock Nut, 1/4-20 Nylon
5	2900144	4	Cap Screw, Hex Hd., 1/4-20 x 3/4"
6	2900018	4	Lock Nut, 3/8-16 Nylon
7	6010055	2	Friction Spacer
8	6010315	1	Speed Control Lever
9	2900153	2	Friction Washer, 3/8"
10	2900473	1	Flat Washer, 3/8" USS
11	2900474	4	Belleville Washer, 3/8"
12	2900472	1	Cap Screw, Hex Flange Hd., 3/8-16 x 2"
13	6010123	1	Linkage Lever
14	2900014	3	Flat Washer, 3/8" SAE
15	2900047	3	Cap Screw, Hex Hd., 3/8-16 x 1-3/4"
16	2500007	2	Set Collar, 1/2" with Set Screw
17	6010702	1	Linkage Assembly 4-1/4"
18	6010166	1	Gate Cover Bar
19	6010319	1	Control Grip Assembly

Fuel Supply Assembly #6010699



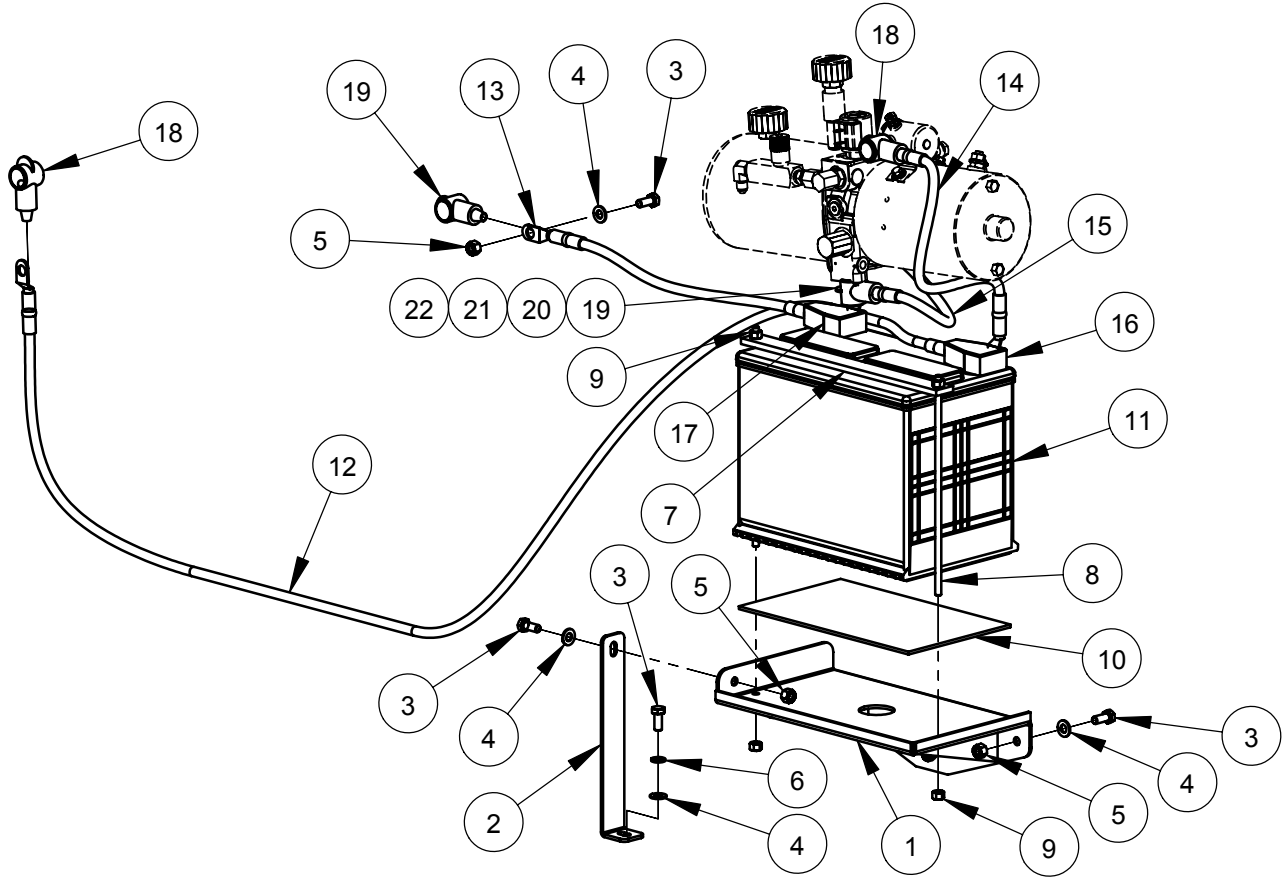
ITEM	PART NO.	QTY.	DESCRIPTION
1	2501777	1	Fuel Valve w/Pick-Up
2	2501215	1	Bushing, Rubber, Tank
3	6010693	1	Fuel Supply Hose, 5/16" I.D. x 30"
4	2501785	1	Filter, Diesel Fuel
5	6013095	1	Fuel Line Hose, 5/16" I.D. x 4"
6	3200062	4	Hose Clamp #4
7	2501434	1	Hose Clamp, 1/2" x 3/4" Wide

Fuel Tank Assembly #6010700



ITEM	PART NO.	QTY.	DESCRIPTION
1	2501784	1	Fuel Tank
2	6010257	2	Fuel Tank Mount Bar
3	2900022	8	Flat Washer, 5/16" SAE
4	2900031	8	Lock Washer, 5/16" Split
5	2900019	4	Cap Screw, Hex Hd., 5/16-18 x 3/4"
6	2900138	4	Cap Screw, Hex Hd., 5/16-18 x 1"
7	3200206	1	Pipe Plug, 1/4" NPT
8	2500649	1	Fuel Tank Cap
9	2500205	1	Fuel Tank Grommet
10	3200057	1	Elbow, 1/4" M. Pipe to 1/4" M. JIC
11	3200091	1	Fitting, 1/4" F. JIC to 1/4" Push Lock
12	6010103	1	Fuel Return Hose, 1/4" I.D. x 32"
13	3200062	1	Hose Clamp #4
14	6010699	1	Fuel Supply Assembly

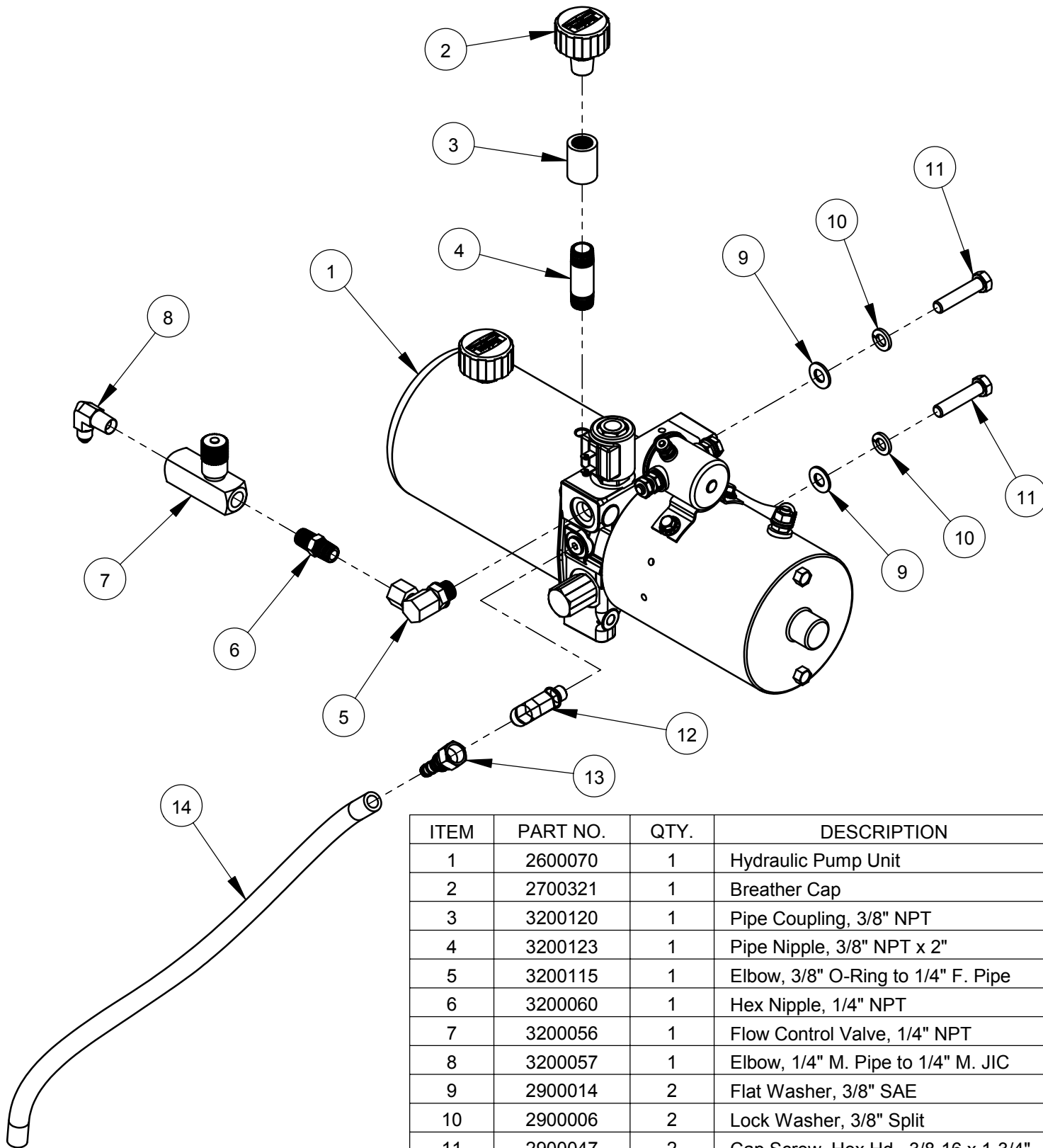
Battery Assembly #6010721



ITEM	PART NO.	QTY.	DESCRIPTION
1	6010670	1	Battery Platform
2	6010554	1	Battery Support Brace
3	2900019	6	Cap Screw, Hex Hd., 5/16-18 x 3/4"
4	2900022	6	Flat Washer, 5/16" SAE
5	2900039	5	Lock Nut, 5/16-18 Nylon
6	2900031	1	Lock Washer, 5/16" Split
7	6010017	1	Battery Top Brace
8	6010344	2	Rod, 1/4-20 x 9-1/2"
9	2900010	4	Lock Nut, 1/4-20 Nylon
10	6010016	1	Battery Pad
11	2800465	1	Battery, 12 Volt Group Size 24
12	2800073	1	Battery Cable, Positive (Red)
13	2800072	1	Battery Cable, Negative (Black)
14	2800095	1	Battery Cable, 14" Positive (Red)
15	2800182	1	Battery Cable, 14" Negative (Black)
16	2800256	1	Battery Boot, Large (Red)
17	2800257	1	Battery Boot, Large (Black)
18	2800197	2	Battery Boot, Small (Red)
19	2800198	2	Battery Boot, Small (Black)
20	2900014	1	Flat Washer, 3/8" SAE
21	2900006	1	Lock Washer, 3/8" Split
22	2900196	1	Cap Screw, Hex Hd., 3/8-16 x 3/4"

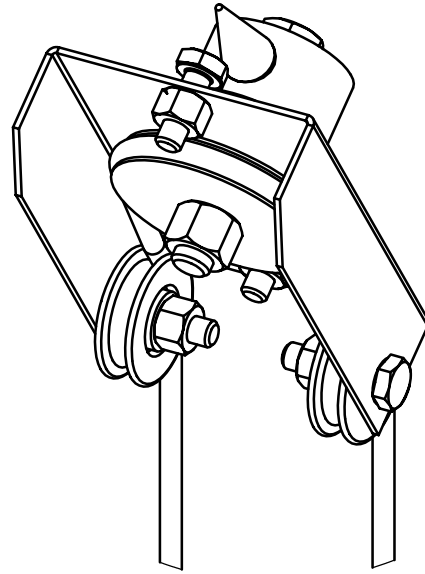
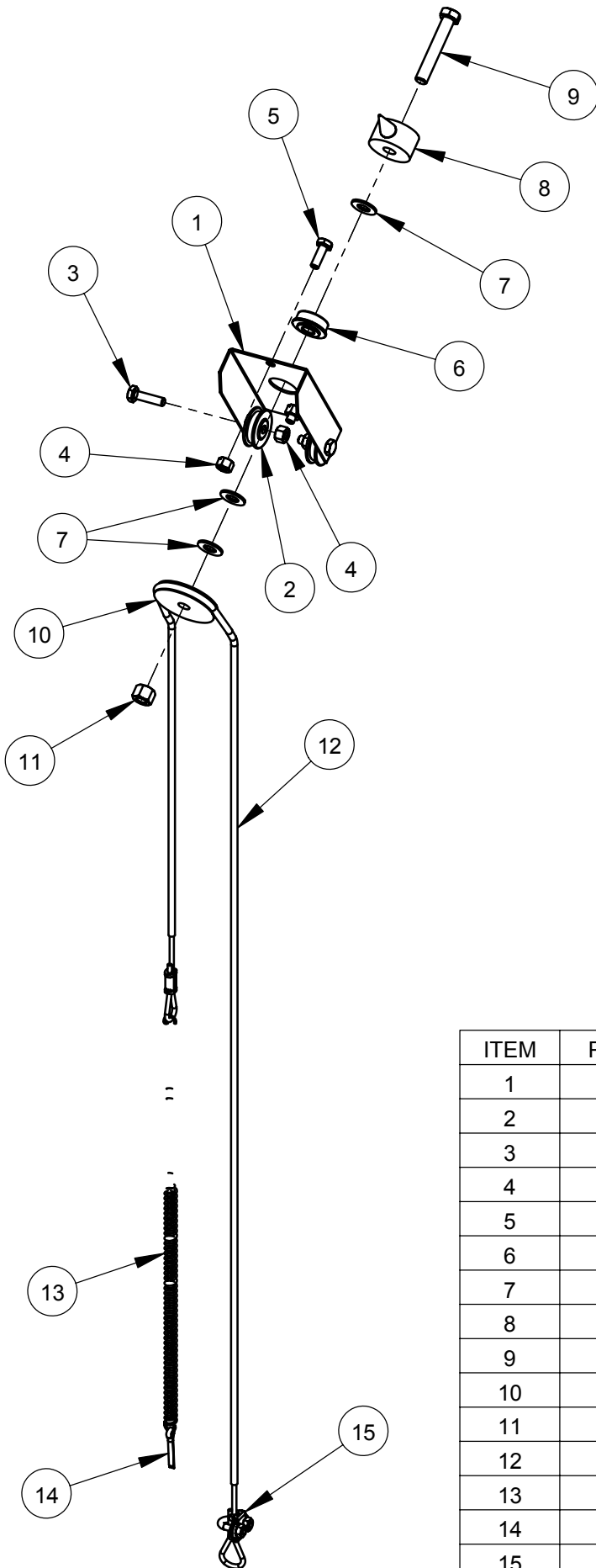
Hydraulic Pump Assembly #6010213

(Includes Items #1 - #11)



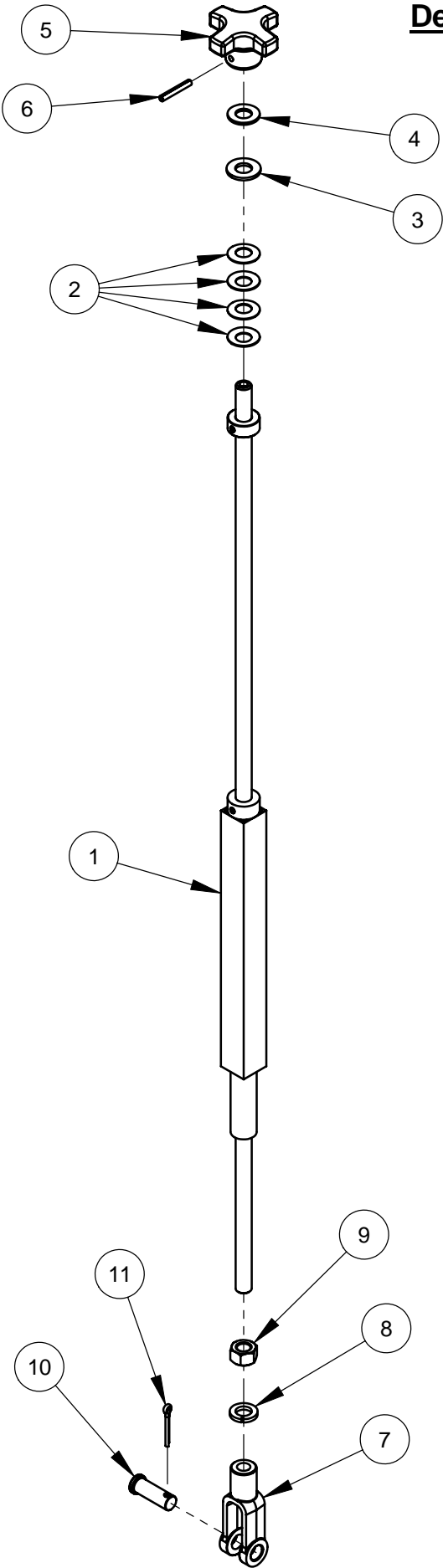
ITEM	PART NO.	QTY.	DESCRIPTION
1	2600070	1	Hydraulic Pump Unit
2	2700321	1	Breather Cap
3	3200120	1	Pipe Coupling, 3/8" NPT
4	3200123	1	Pipe Nipple, 3/8" NPT x 2"
5	3200115	1	Elbow, 3/8" O-Ring to 1/4" F. Pipe
6	3200060	1	Hex Nipple, 1/4" NPT
7	3200056	1	Flow Control Valve, 1/4" NPT
8	3200057	1	Elbow, 1/4" M. Pipe to 1/4" M. JIC
9	2900014	2	Flat Washer, 3/8" SAE
10	2900006	2	Lock Washer, 3/8" Split
11	2900047	2	Cap Screw, Hex Hd., 3/8-16 x 1-3/4"
12	3200116	1	Elbow, 1/4" O-Ring to 3/8" M. JIC
13	3200046	1	Fitting, 3/8" F. JIC to 3/8" Push Lock
14	6010059	1	Clear Hose, 3/8" I.D. x 19"

Depth Indicator Assembly #6010214



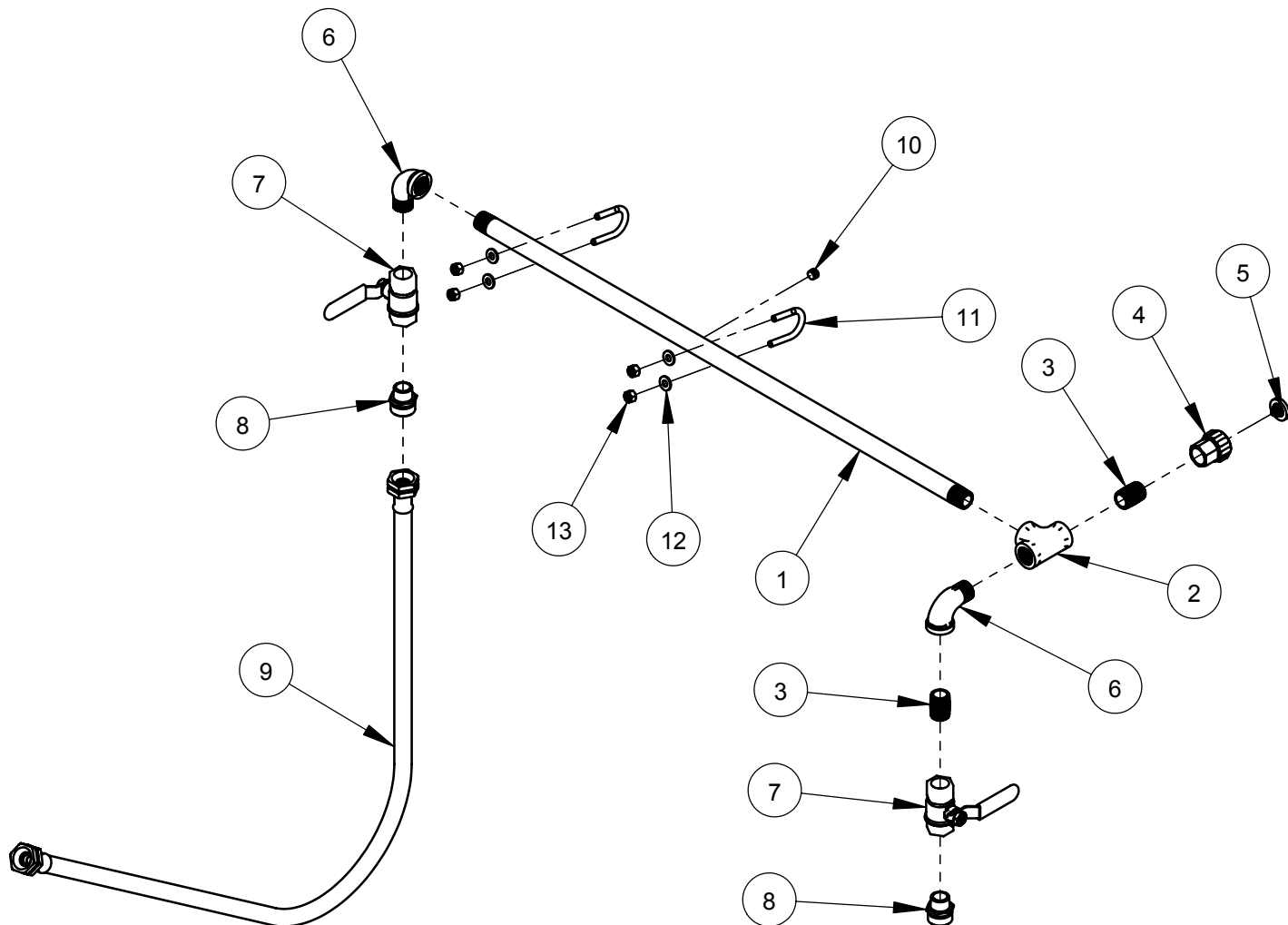
ITEM	PART NO.	QTY.	DESCRIPTION
1	6010092	1	Depth Indicator Mount Bracket
2	2500155	2	Cable Pulley, 1-1/4"
3	2900008	2	Cap Screw, Hex Hd., 1/4-20 x 1"
4	2900010	4	Lock Nut, 1/4-20 Nylon
5	2900144	2	Cap Screw, Hex Hd., 1/4-20 x 3/4"
6	2500145	1	Flange Bearing, 3/8"
7	2900014	3	Flat Washer, 3/8" SAE
8	6010091	1	Depth Indicator Pointer
9	2900079	1	Cap Screw, Hex Hd., 3/8-16 x 2-1/4"
10	6010093	1	Cable Pulley, 2"
11	2900018	1	Lock Nut, 3/8-16 Nylon
12	6010094	1	Depth Indicator Cable with Crimp, 48"
13	2500196	1	Spring, 3/8" x 15"
14	2900055	1	Cotter Pin, 3/16" x 1"
15	2500214	1	Cable Clamp

Depth Stop Assembly #6010215



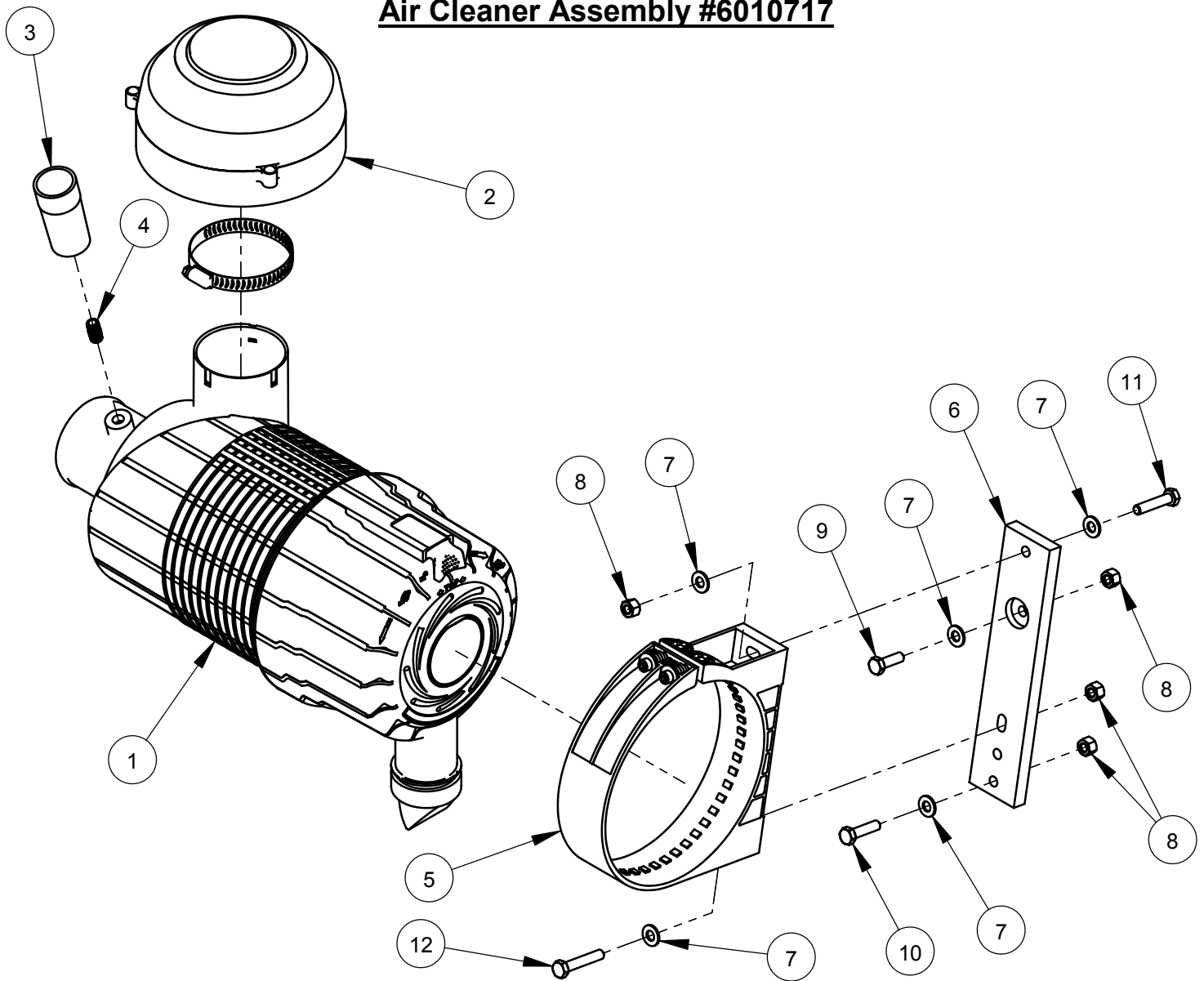
ITEM	PART NO.	QTY.	DESCRIPTION
1	6010097	1	Depth Stop Weldment
2	2900665	4	Belleville Washer, 1/2"
3	2900058	1	Flat Washer, 1/2" SAE
4	2900239	1	Friction Washer, 1/2"
5	6010095	1	Depth Stop Knob
6	2900132	1	Roll Pin, 3/16" x 1-1/4"
7	2900158	1	Yoke, 1/2-13
8	2900084	1	Lock Washer, 1/2" Split
9	2900037	1	Hex Nut, 1/2-13
10	2900007	1	Clevis Pin, 1/2" Dia. x 1-3/8"
11	2900004	1	Cotter Pin, 1/8" x 1"

Water Supply Assembly #6010718



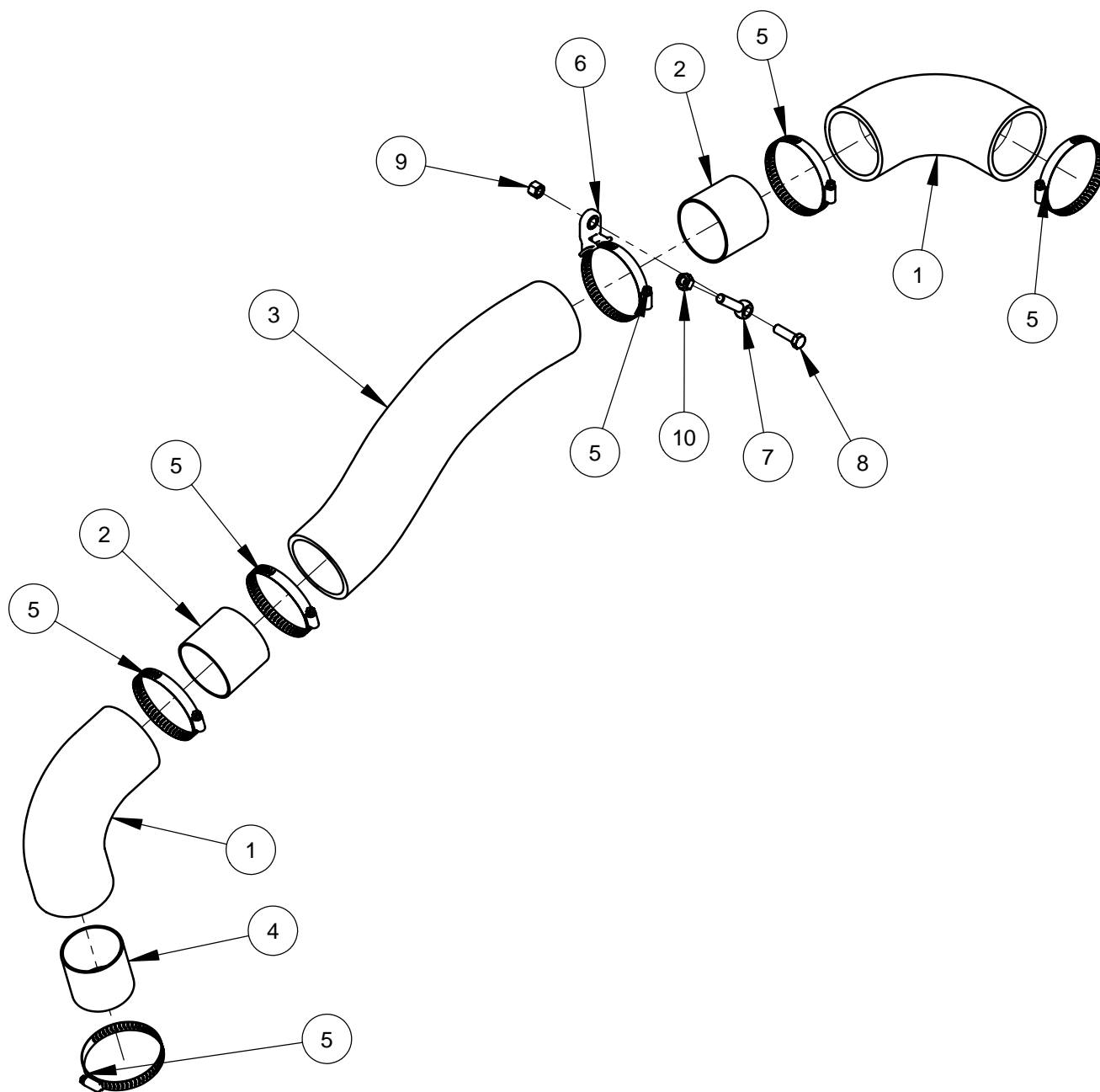
ITEM	PART NO.	QTY.	DESCRIPTION
1	6090069	1	Water Supply Tube
2	3200045	1	Pipe Tee, 1/2" NPT
3	3200008	2	Close Nipple, 1/2" NPT
4	3200022	1	Fitting, 1/2" F. Pipe to 3/4" F. Garden
5	3200025	1	Hose Filter Washer
6	3200013	2	Street Elbow, 1/2" NPT
7	3200027	2	Water Valve
8	3200155	2	Fitting, 1/2" M. Pipe to 3/4" M. Garden
9	6010021	1	Water Hose Assembly, 42" Long
10	3200001	1	Plug, 1/8" NPT
11	2900241	2	U-Bolt, 1/2" Pipe
12	2900009	4	Flat Washer, 1/4" SAE
13	2900010	4	Lock Nut, 1/4-20 Nylon

Air Cleaner Assembly #6010717



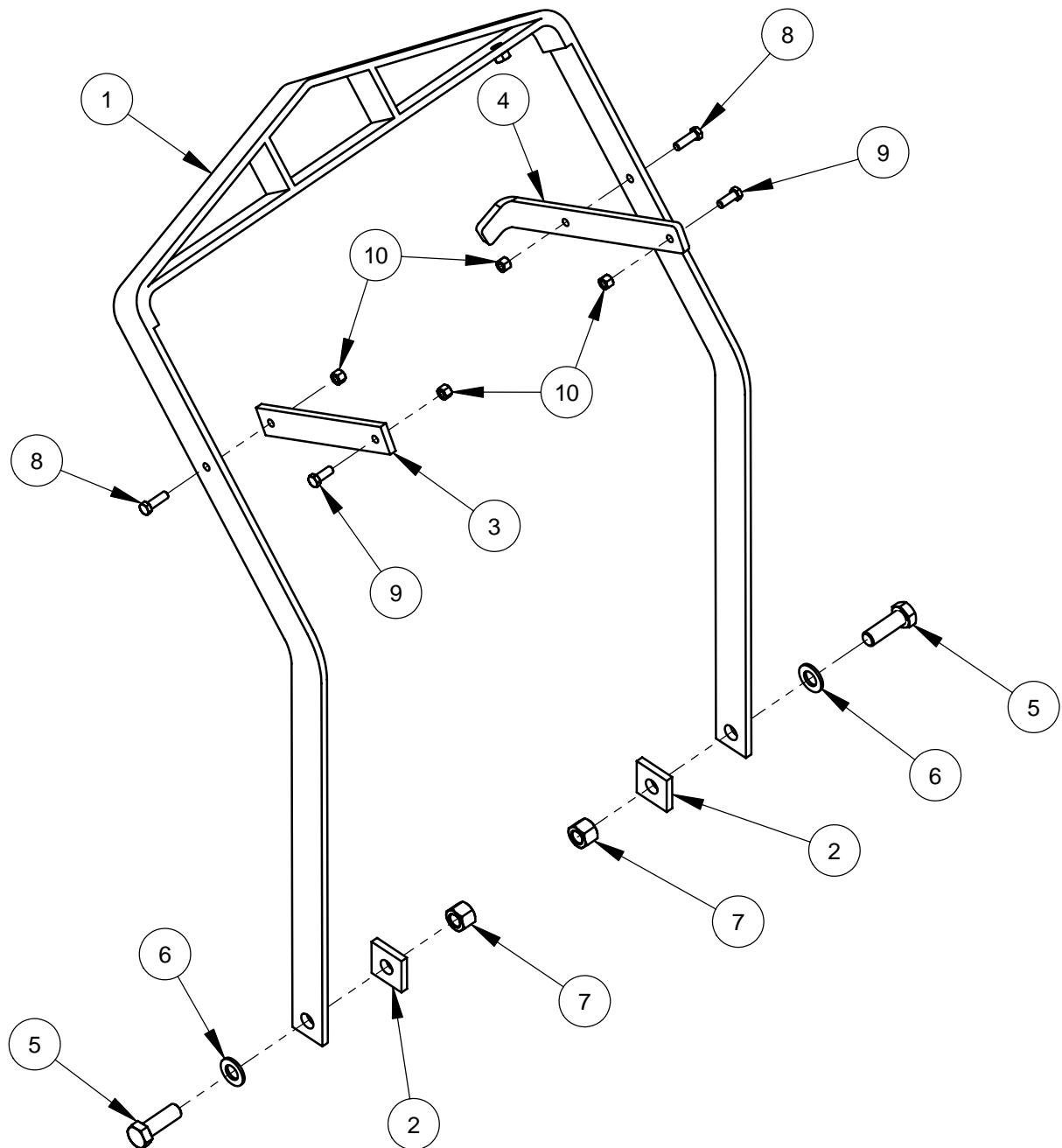
ITEM	PART NO.	QTY.	DESCRIPTION
1	2501384	1	Air Cleaner Complete
	2501386	1	Outer Primary Filter
	2501387	1	Inner Safety Filter
	2500239	1	Rubber Dust Ejector Boot
2	2501388	1	Pre-Cleaner with Clamp
3	2500423	1	Restriction Indicator
4	3200117	1	Close Nipple, 1/8" NPT
5	2501385	1	Mounting Band, Polymer
6	6010325	1	Air Cleaner Mount Spacer
7	2900022	5	Flat Washer, 5/16" SAE
8	2900039	4	Lock Nut, 5/16-18 Nylon
9	2900138	1	Cap Screw, Hex Hd., 5/16-18 x 1"
10	2900217	1	Cap Screw, Hex Hd., 5/16-18 x 1-1/4"
11	2900508	1	Cap Screw, Hex Hd., 5/16-18 x 1-1/2"
12	2900538	1	Cap Screw, Hex Hd., 5/16-18 x 1-3/4"

Air Intake Assembly #6010730



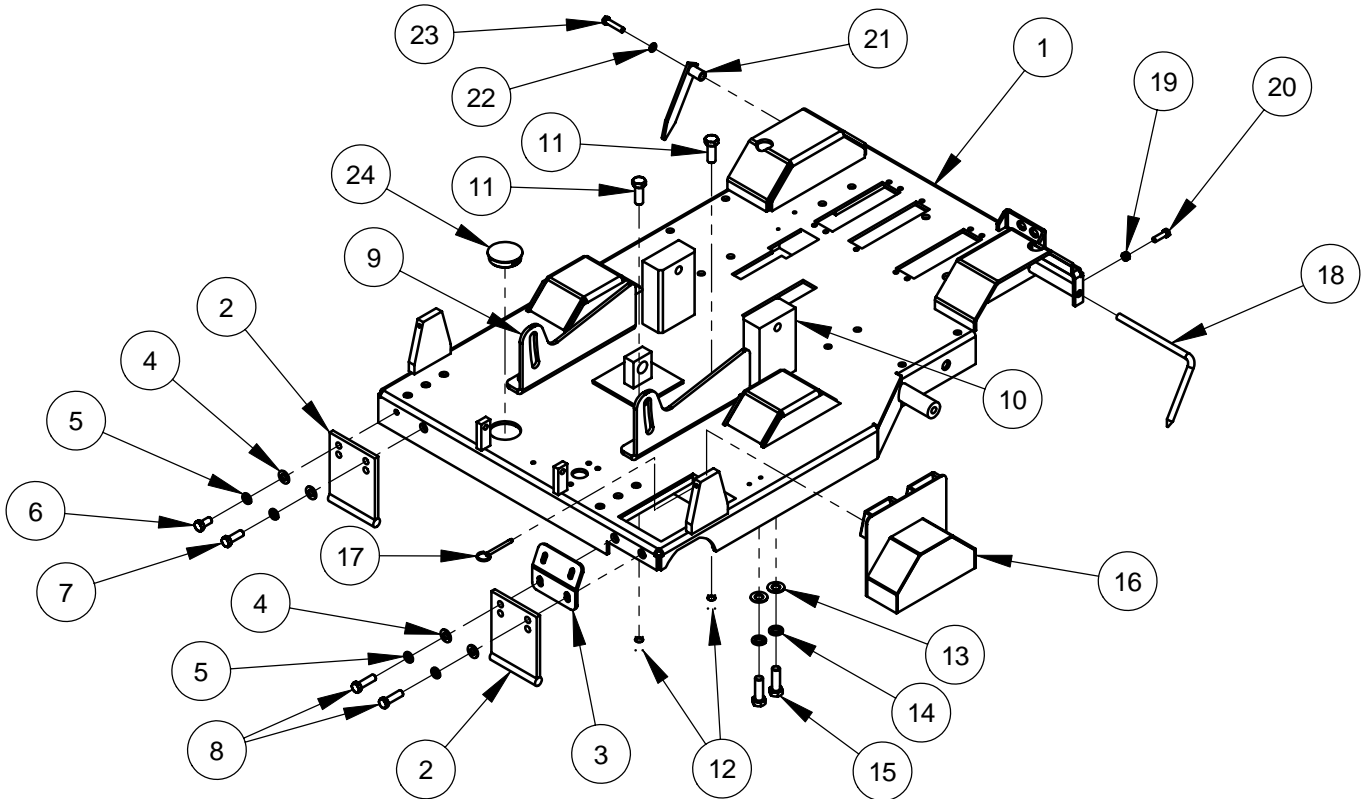
ITEM	PART NO.	QTY.	DESCRIPTION
1	2500669	2	Hose Elbow, 3" I.D.
2	6010559	2	Connector Tube, 3" O.D.
3	6010692	1	Air Cleaner Hose, 3" I.D. x 18"
4	6013118	1	Connector Tube, 2-3/4" O.D.
5	3200197	6	Hose Clamp #52
6	2501753	1	Hose Mount Support
7	2900592	1	Eyebolt, M10 x 50mm
8	2900013	1	Cap Screw, Hex Hd., 3/8-16 x 1-1/4"
9	2900018	1	Lock Nut, 3/8-16 Nylon
10	2900325	1	Hex Nut, M10

Frame Lift Assembly #6010784



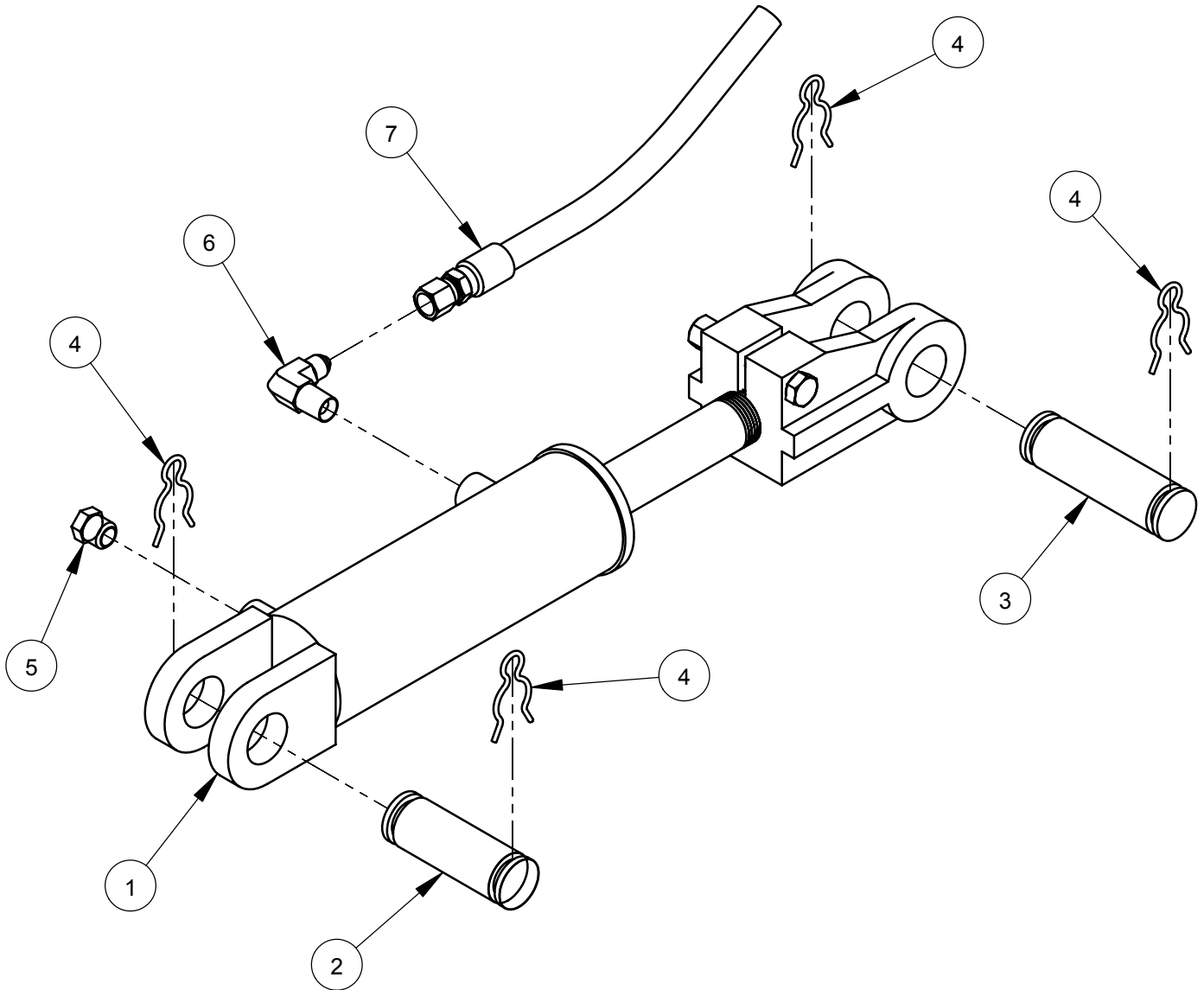
ITEM	PART NO.	QTY.	DESCRIPTION
1	6013051	1	Frame Lift
2	6013053	2	Frame Lift Spacer
3	6010689	1	Frame Lift Brace
4	6010776	1	Frame Lift Stop Brace
5	2900465	2	Cap Screw, Hex Hd., 3/4-10 x 2-1/4"
6	2900003	2	Flat Washer, 3/4" SAE
7	2900467	2	Lock Nut, 3/4-10 Nylon
8	2900013	2	Cap Screw, Hex Hd., 3/8-16 x 1-1/4"
9	2900005	2	Cap Screw, Hex Hd., 3/8-16 x 1"
10	2900018	4	Lock Nut, 3/8-16 Nylon

Frame Base Assembly #6010722



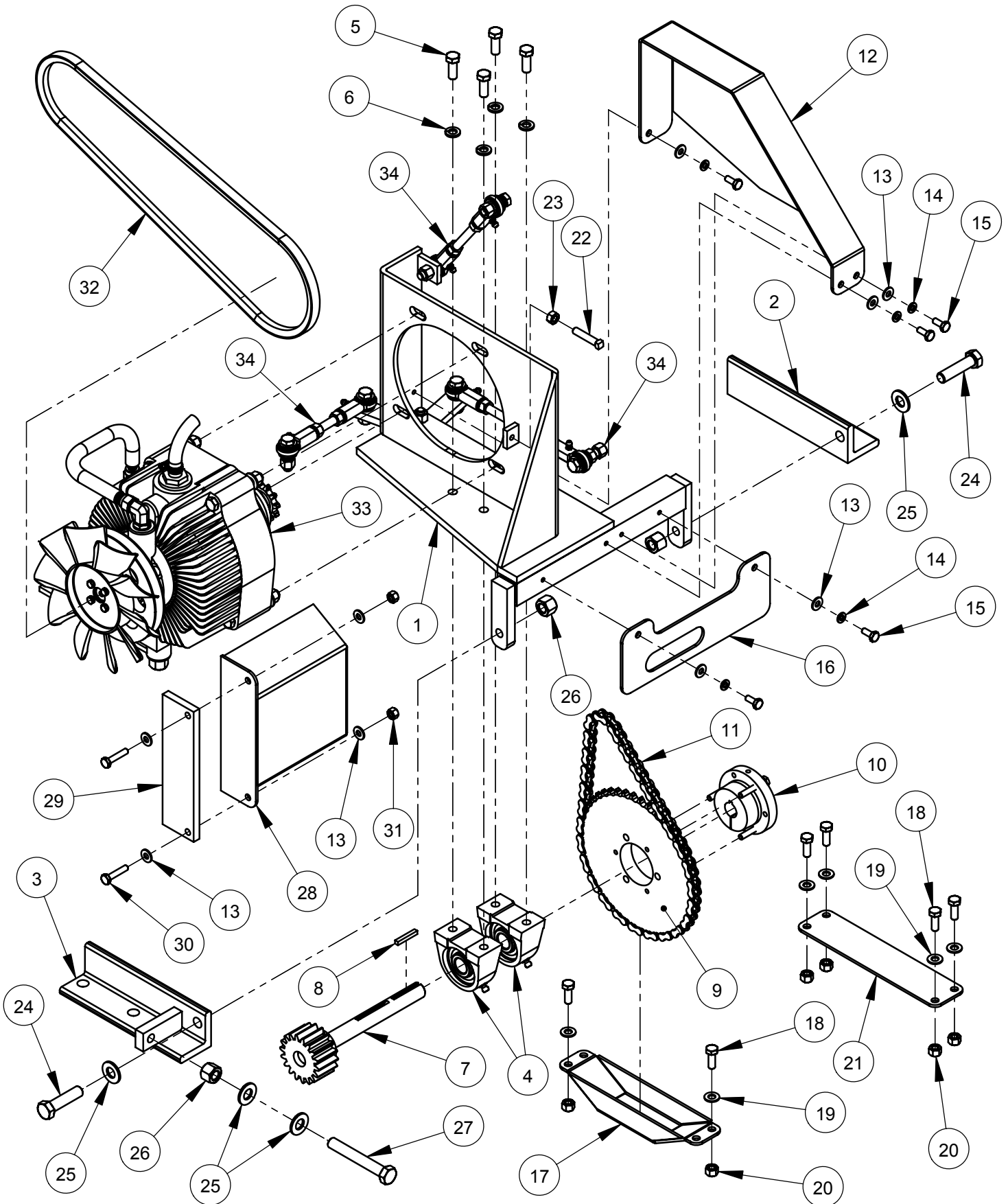
ITEM	PART NO.	QTY.	DESCRIPTION
1	6010662A	1	Frame Base
2	6010681	2	Skid Plate
3	6010680	1	Guard Attachment Plate (25 degree)
4	2900058	4	Flat Washer, 1/2" SAE
5	2900084	4	Lock Washer, 1/2" Split
6	2900086	1	Cap Screw, Hex Hd., 1/2-13 x 1"
7	2900499	1	Cap Screw, Hex Hd., 1/2-13 x 1-1/2"
8	2900139	2	Cap Screw, Hex Hd., 1/2-13 x 1-3/4"
9	6010660	2	Forward Engine Mount
10	6010661	2	Rear Engine Mount
11	2900147	4	Cap Screw, Hex Hd., 5/8-11 x 1-3/4"
12	2900135	4	Lock Nut, 5/8-11 Nylon
13	2900002	4	Flat Washer, 5/8" SAE
14	2900113	4	Lock Washer, 5/8" Split
15	2900136	4	Cap Screw, Hex Hd., 5/8-11 x 2"
16	6010645	1	Shaft/Flange Guard (Wide)
17	2900156	1	Lock Pin with Ring
18	6010683	1	Rear Pointer Rod
19	2900033	1	Hex Nut, 3/8-16
20	2900013	1	Cap Screw, Hex Hd., 3/8-16 x 1-1/4"
21	6010022	1	Rear Pointer
22	2900006	1	Lock Washer, 3/8" Split
23	2900047	1	Cap Screw, Hex Hd., 3/8-16 x 1-3/4"
24	2502038	1	Plug, 2-1/2" Hole

Hydraulic Cylinder Assembly #6010714



ITEM	PART NO.	QTY.	DESCRIPTION
1	2500177	1	Hydraulic Cylinder
2	6010031	1	Cylinder Pin, 3"
3	6010119	1	Cylinder Pin, 3-1/2"
4	2900064	4	Hair Pin Cotter, 3/4"
5	3200067	1	Cylinder Breather, 1/4" NPT
6	3200057	1	Elbow, 1/4" M. Pipe to 1/4" M. JIC
7	3200054	1	Hose Assembly, 32" Long

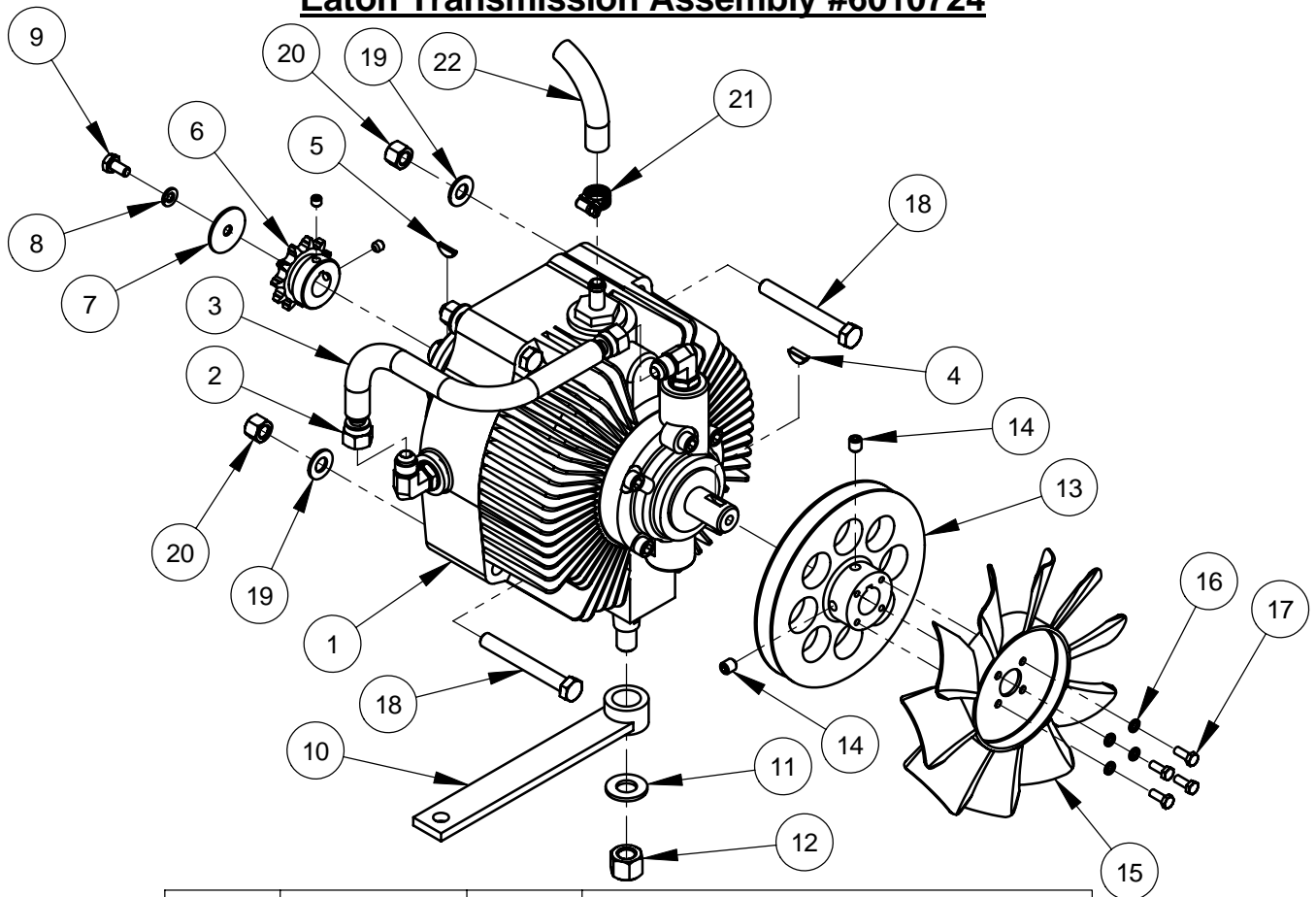
Rear Drive Assembly #6010723 (Eaton)



Rear Drive Assembly #6010723 (Eaton)

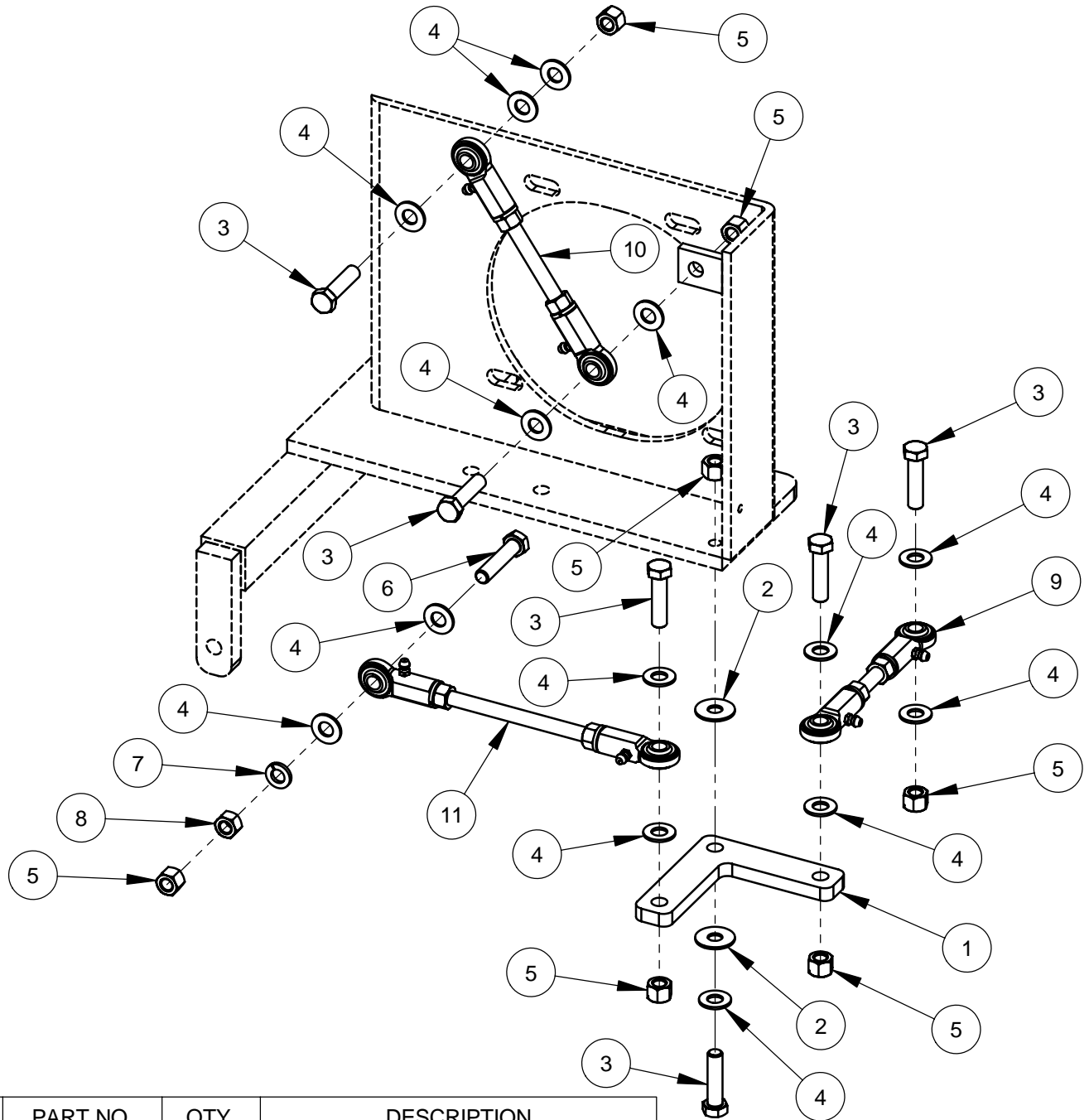
ITEM	PART NO.	QTY.	DESCRIPTION
1	6010068	1	Transmission Platform Weldment
2	6010027	1	Mount Foot, Right Hand
3	6010028	1	Mount Foot, Left Hand
4	2500159	2	Pillow Block Bearing, 3/4"
5	2900005	4	Cap Screw, Hex Hd., 3/8-16 x 1"
6	2900006	4	Lock Washer, 3/8" Split
7	6010664	1	Transmission Jackshaft, 18 Tooth
8	6048229	1	Key, 3/16" Sq. x 1-1/4"
9	2500148	1	Sprocket, #40 x 45 Tooth
10	2500149	1	QD Bushing, SDS x 3/4" w/Fasteners
11	6010069	1	Chain, #40 x 56 Pitch
12	6010671	1	Chain Guard
13	2900009	9	Flat Washer, 1/4" SAE
14	2900024	5	Lock Washer, 1/4" Split
15	2900023	5	Cap Screw, Hex Hd., 1/4-20 x 5/8"
16	6010679	1	Gear Guard
17	6010674	1	Sprocket Guard
18	2900668	6	Cap Screw, Hex Hd., 5/16-18 x 7/8"
19	2900022	6	Flat Washer, 5/16" SAE
20	2900039	6	Lock Nut, 5/16-18 Nylon
21	6010678	1	Cover Plate (Wide)
22	2900140	1	Set Screw, Sq. Hd., 5/16-18 x 1-1/2"
23	2900141	1	Hex Nut, 5/16-18
24	2900106	2	Cap Screw, Hex Hd., 1/2-13 x 2"
25	2900058	4	Flat Washer, 1/2" SAE
26	2900026	3	Lock Nut, 1/2-13 Nylon
27	2900542	1	Tap Bolt, Hex Hd., 1/2-13 x 3-1/2"
28	6010673	1	Fan Guard
29	6010735	1	Spacer, Fan Guard
30	2900052	2	Cap Screw, Hex Hd., 1/4-20 x 1-1/4"
31	2900010	2	Lock Nut, 1/4-20 Nylon
32	2501946	1	V-Belt, AX39
33	6010724	1	Eaton Transmission Assembly
34	6010725	1	Linkage Assembly

Eaton Transmission Assembly #6010724



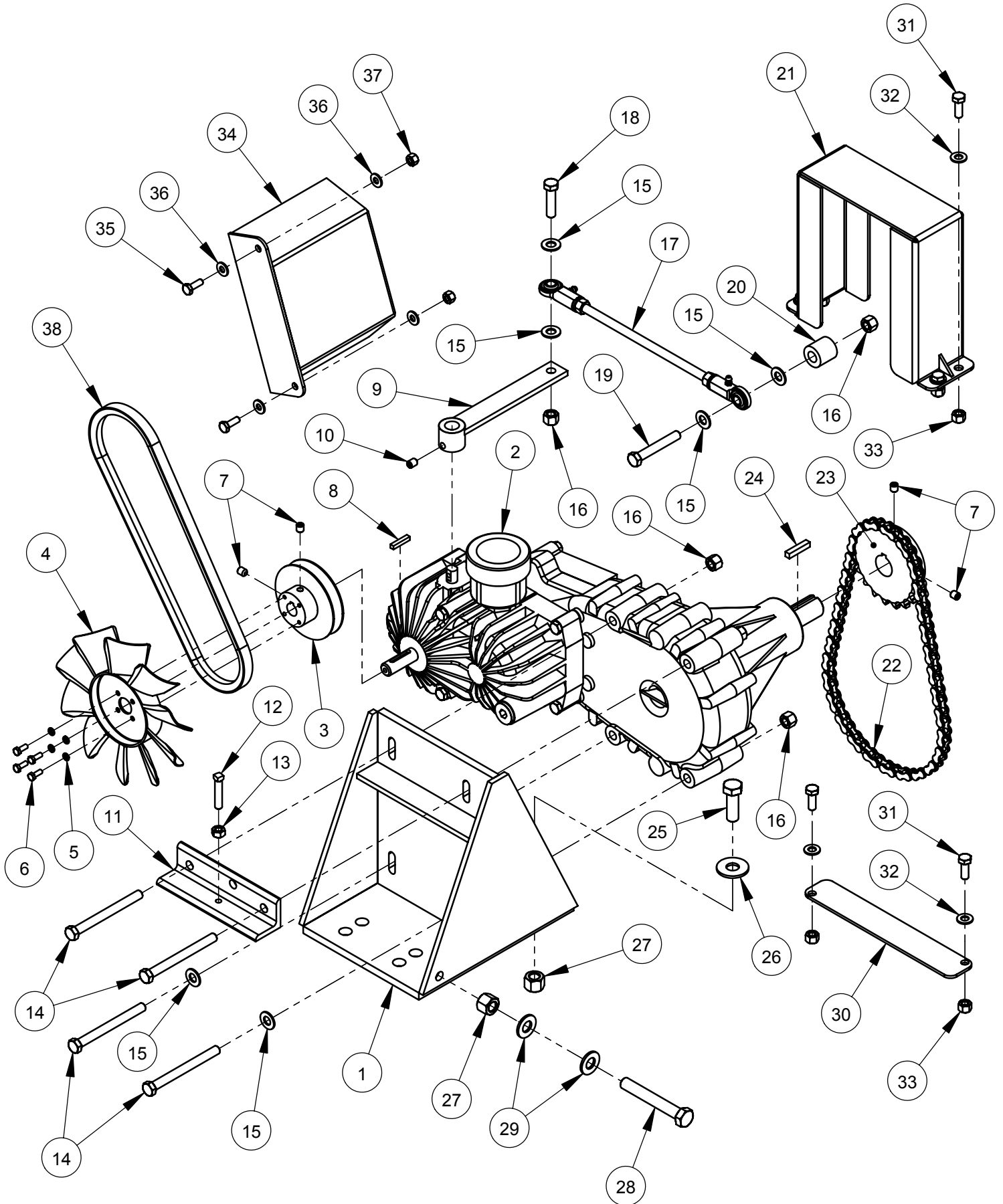
ITEM	PART NO.	QTY.	DESCRIPTION
1	2600068	1	Eaton Hydrostatic Transmission
2	3200046	2	Fitting, 3/8" F. JIC to 3/8" Push Lock
3	6010060	1	Oil Recirculation Hose, 3/8" I.D. x 9"
4	2900143	1	Woodruff Key #61, 3/16" x 5/8"
5	2900063	1	Woodruff Key #405, 1/8" x 5/8"
6	2500150	1	Sprocket, #40 x 11 Tooth w/Setscrews
7	2900083	1	Fender Washer, 1/4" x 1-1/4"
8	2900024	1	Lock Washer, 1/4" Split
9	2900082	1	Cap Screw, Hex Hd., 1/4-20 x 1/2"
10	6010064	1	Shift Lever
11	2900058	1	Flat Washer, 1/2" SAE
12	2900026	1	Lock Nut, 1/2-13 Nylon
13	6010682	1	Transmission Pulley 5.5"
14	2900142	2	Set Screw, Soc. Hd., 5/16-18 x 3/8"
15	2500519	1	Cooling Fan, 7"
16	2900038	4	Lock Washer, #10 Split
17	2900448	4	Machine Screw, Hex Hd., #10-32 x 1/2"
18	2900035	4	Cap Screw, Hex Hd., 3/8-16 x 3"
19	2900014	4	Flat Washer, 3/8" SAE
20	2900018	4	Lock Nut, 3/8-16 Nylon
21	3200062	1	Hose Clamp #4
22	6010059	1	Clear Hose, 3/8" I.D. x 19"

Linkage Assembly #6010725



ITEM	PART NO.	QTY.	DESCRIPTION
1	6010067	1	Bell Crank
2	2900153	2	Friction Washer, 3/8"
3	2900029	6	Cap Screw, Hex Hd., 3/8-16 x 1-1/2"
4	2900014	14	Flat Washer, 3/8" SAE
5	2900018	7	Lock Nut, 3/8-16 Nylon
6	2900047	1	Cap Screw, Hex Hd., 3/8-16 x 1-3/4"
7	2900006	1	Lock Washer, 3/8" Split
8	2900033	1	Hex Nut, 3/8-16
9	6010704	1	Linkage Assembly 5-1/8"
10	6010705	1	Linkage Assembly 6-1/4"
11	6010706	1	Linkage Assembly 8"

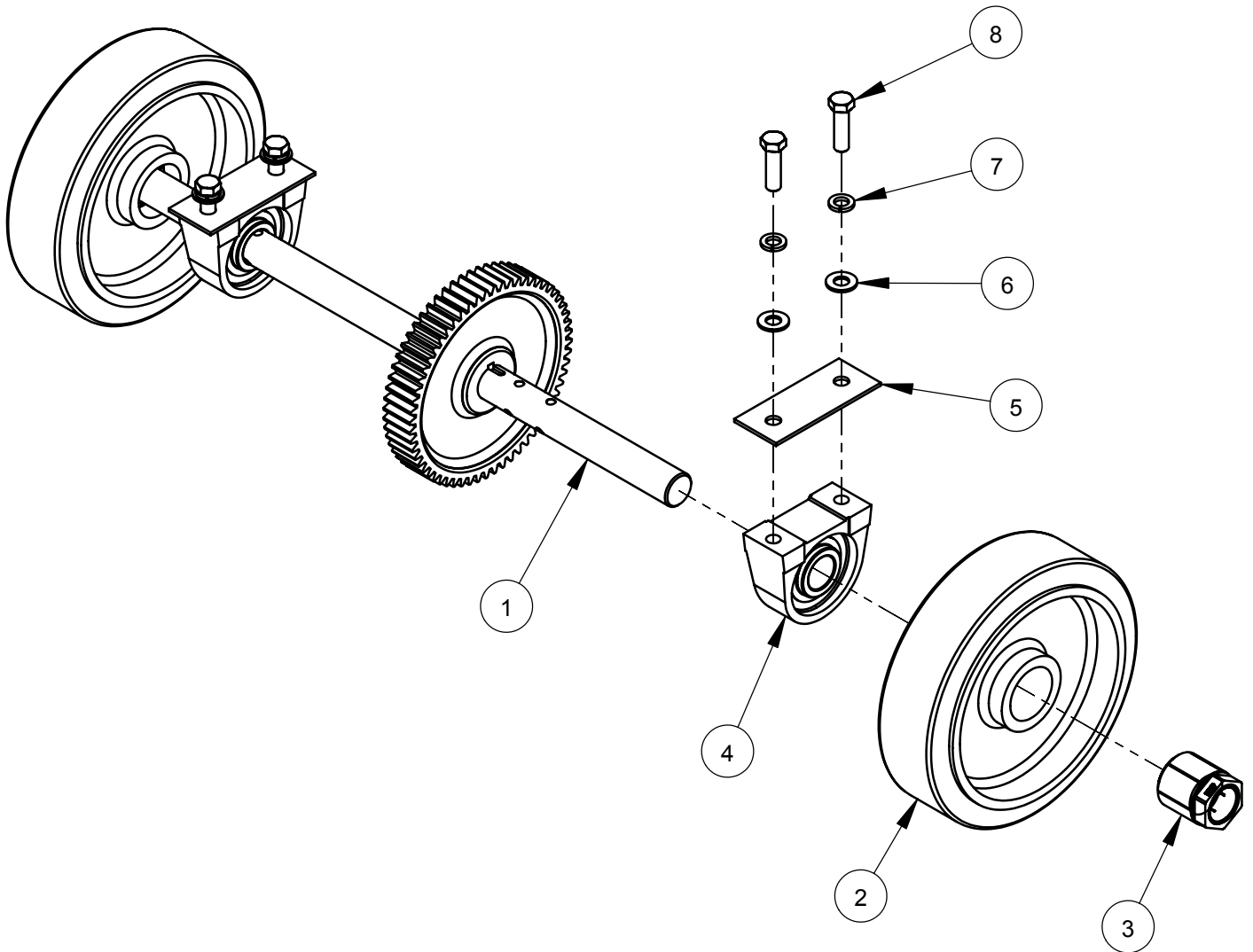
Rear Drive Assembly #6010726 (Sundstrand)



Rear Drive Assembly #6010726 (Sundstrand)

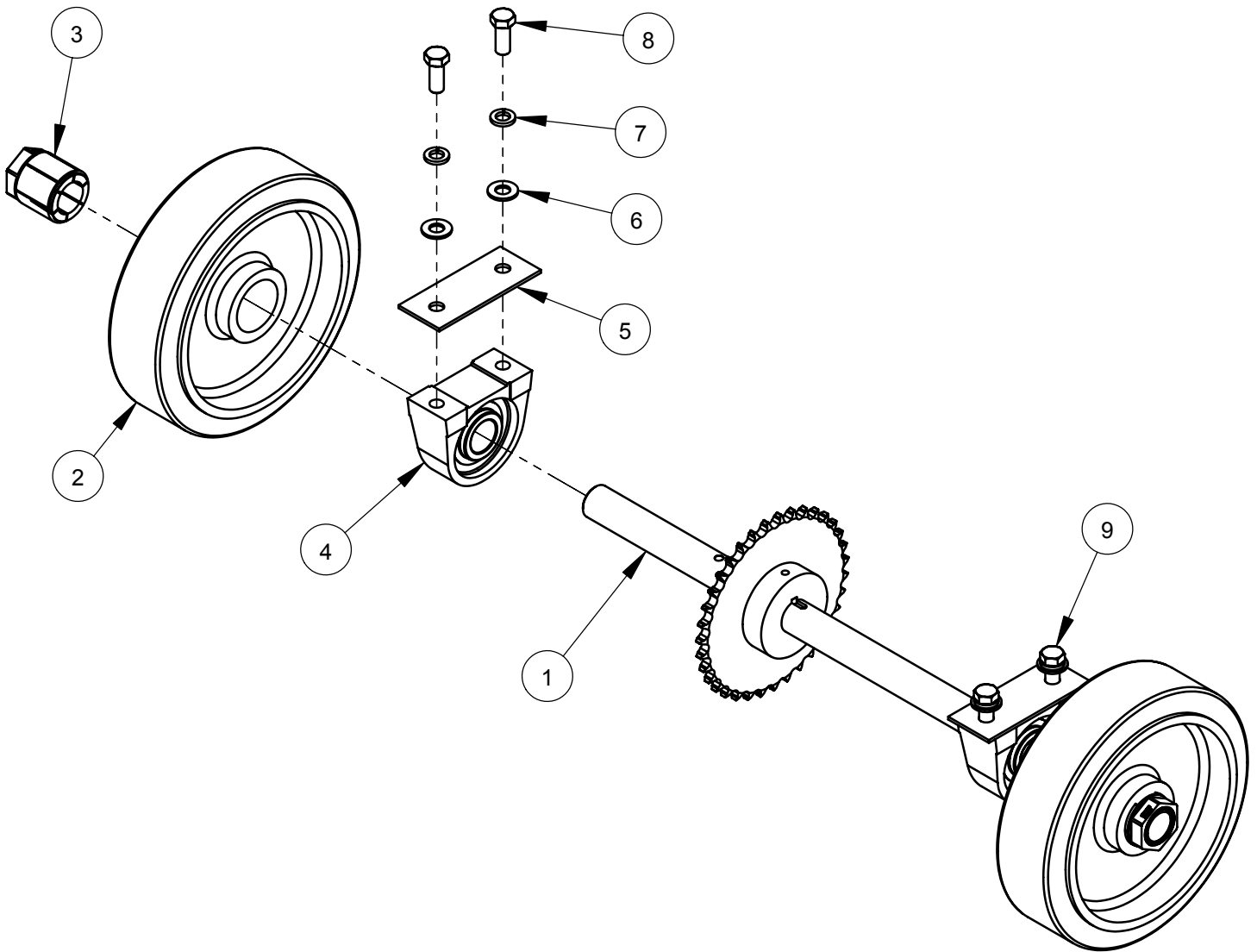
ITEM	PART NO.	QTY.	DESCRIPTION
1	6010118	1	Transmission Platform
2	2600021	1	Hydrostatic Transaxle Assembly
3	6011037	1	Transmission Pulley 3.5"
4	2500519	1	Cooling Fan, 7"
5	2900038	4	Lock Washer, #10 Split
6	2900448	4	Machine Screw, Hex Hd., #10-32 x 1/2"
7	2900142	4	Set Screw, Soc. Hd., 5/16-18 x 3/8"
8	6010170	1	Key, 3/16" Sq. x 1"
9	6010129	1	Shift Lever
10	2900429	1	Set Screw, Soc. Hd., 5/16-24 x 1/2"
11	6010120	1	Chain Tensioning Bracket
12	2900140	1	Set Screw, Sq. Hd., 5/16-18 x 1-1/2"
13	2900141	1	Hex Nut, 5/16-18
14	2900160	4	Cap Screw, Hex Hd., 3/8-16 x 4"
15	2900014	6	Flat Washer, 3/8" SAE
16	2900018	6	Lock Nut, 3/8-16 Nylon
17	6010703	1	Linkage Assembly 11-1/2"
18	2900029	1	Cap Screw, Hex Hd., 3/8-16 x 1-1/2"
19	2900596	1	Cap Screw, Hex Hd., 3/8-16 x 2-1/2"
20	6030126	1	Spacer, 1"
21	6010672A	1	Chain Guard
22	6010130	1	Chain, #50 x 50 pitch
23	6010127	1	Transmission Sprocket, #50 x 19 Tooth
24	6010169	1	Key, 1/4" Sq. x 1-1/4"
25	2900499	1	Cap Screw, Hex Hd., 1/2-13 x 1-1/2"
26	2900127	1	Flat Washer, 1/2" USS
27	2900026	2	Lock Nut, 1/2-13 Nylon
28	2900542	1	Tap Bolt, Hex Hd., 1/2-13 x 3-1/2"
29	2900058	2	Flat Washer, 1/2" SAE
30	6010677	1	Cover Plate (Narrow)
31	2900668	6	Cap Screw, Hex Hd., 5/16-18 x 7/8"
32	2900022	6	Flat Washer, 5/16" SAE
33	2900039	6	Lock Nut, 5/16-18 Nylon
34	6010673	1	Fan Guard
35	2900144	2	Cap Screw, Hex Hd., 1/4-20 x 3/4"
36	2900009	4	Flat Washer, 1/4" SAE
37	2900010	2	Lock Nut, 1/4-20 Nylon
38	2501779	1	V-Belt, AX29

Rear Axle Assembly #6010743 (Eaton / Gear)



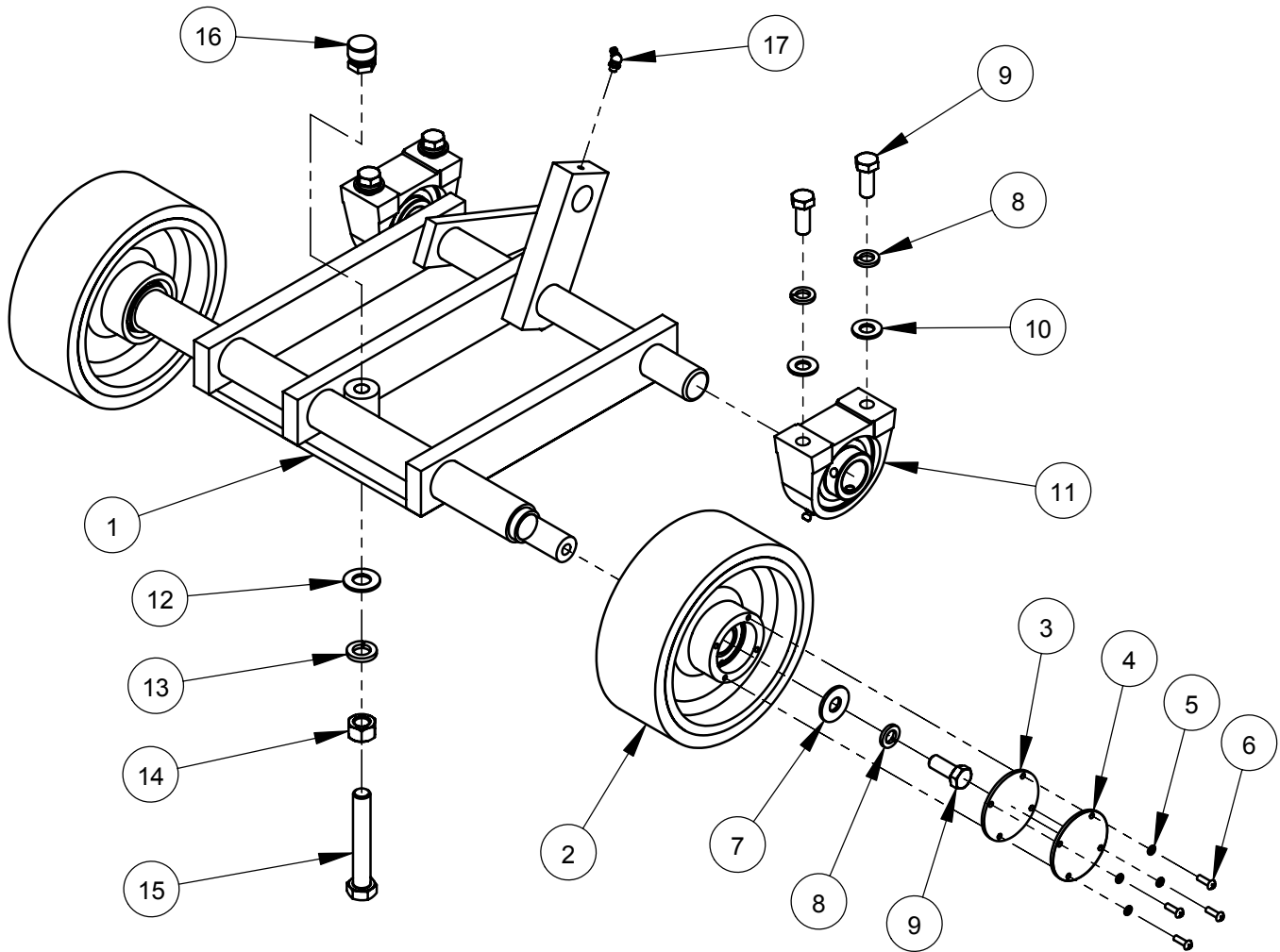
ITEM	PART NO.	QTY.	DESCRIPTION
1	6010686	1	Rear Axle Weldment w/60 Tooth Gear
2	2500873	2	Wheel, 10" Rear with 2" Bore
3	2500874	2	Trantorque Bushing, 1-1/4"
4	2500158	2	Pillow Block Bearing 1-1/4"
5	6010024	2	Rear Axle Bearing Spacer, 1/8"
6	2900058	4	Flat Washer, 1/2" SAE
7	2900084	4	Lock Washer, 1/2" Split
8	2900139	4	Cap Screw, Hex Hd., 1/2-13 x 1-3/4"

Rear Axle Assembly #6010744 (Sundstrand / Chain)



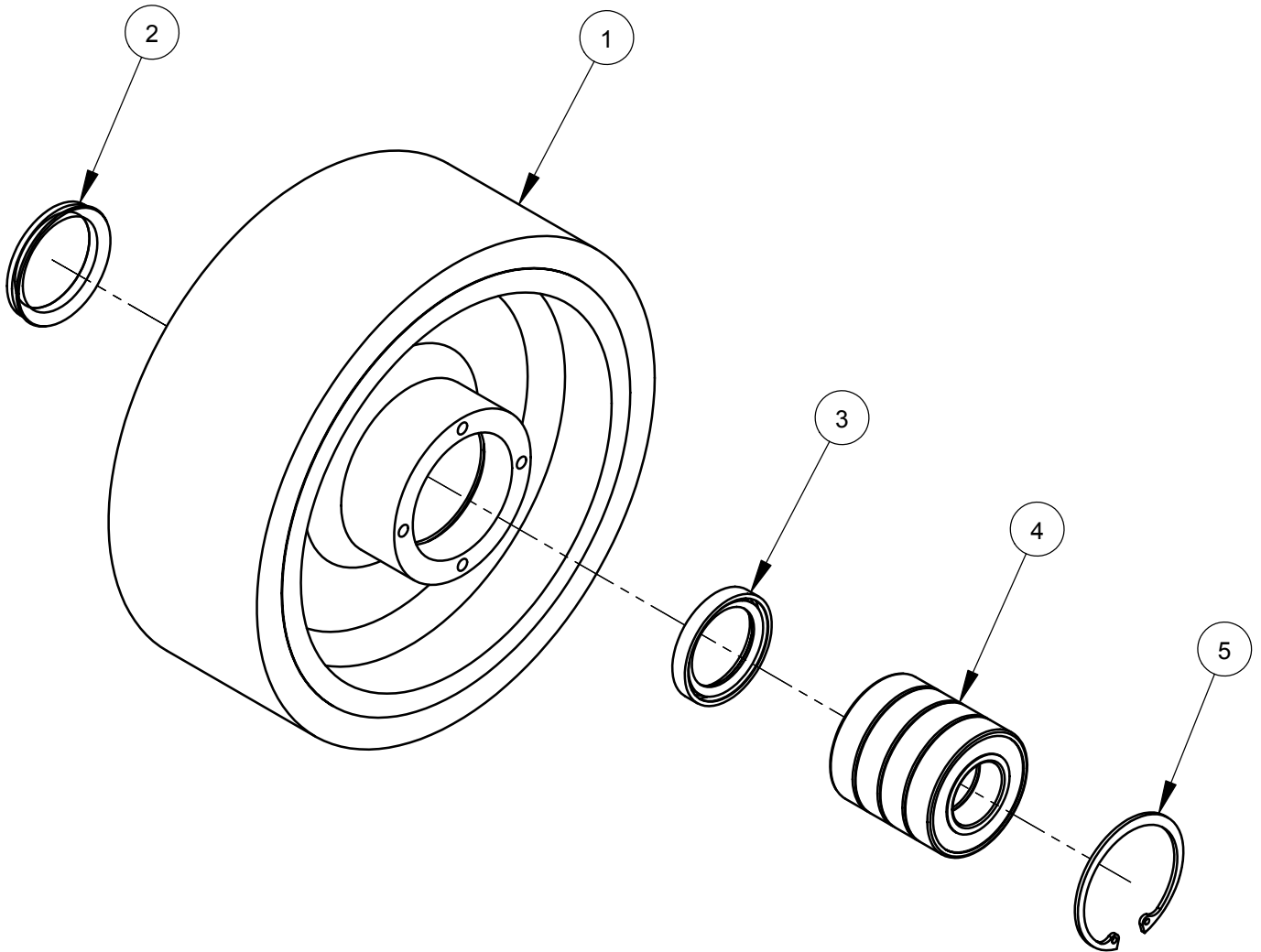
ITEM	PART NO.	QTY.	DESCRIPTION
1	6010281	1	Rear Axle Weldment w/35 Tooth Sprocket
2	2500873	2	Wheel, 10" Rear with 2" Bore
3	2500874	2	Trantorque Bushing, 1-1/4"
4	2500158	2	Pillow Block Bearing 1-1/4"
5	6010024	2	Rear Axle Bearing Spacer, 1/8"
6	2900058	4	Flat Washer, 1/2" SAE
7	2900084	4	Lock Washer, 1/2" Split
8	2900025	2	Cap Screw, Hex Hd., 1/2-13 x 1-1/4"
9	2900139	2	Cap Screw, Hex Hd., 1/2-13 x 1-3/4"

Front Axle Assembly #6010562



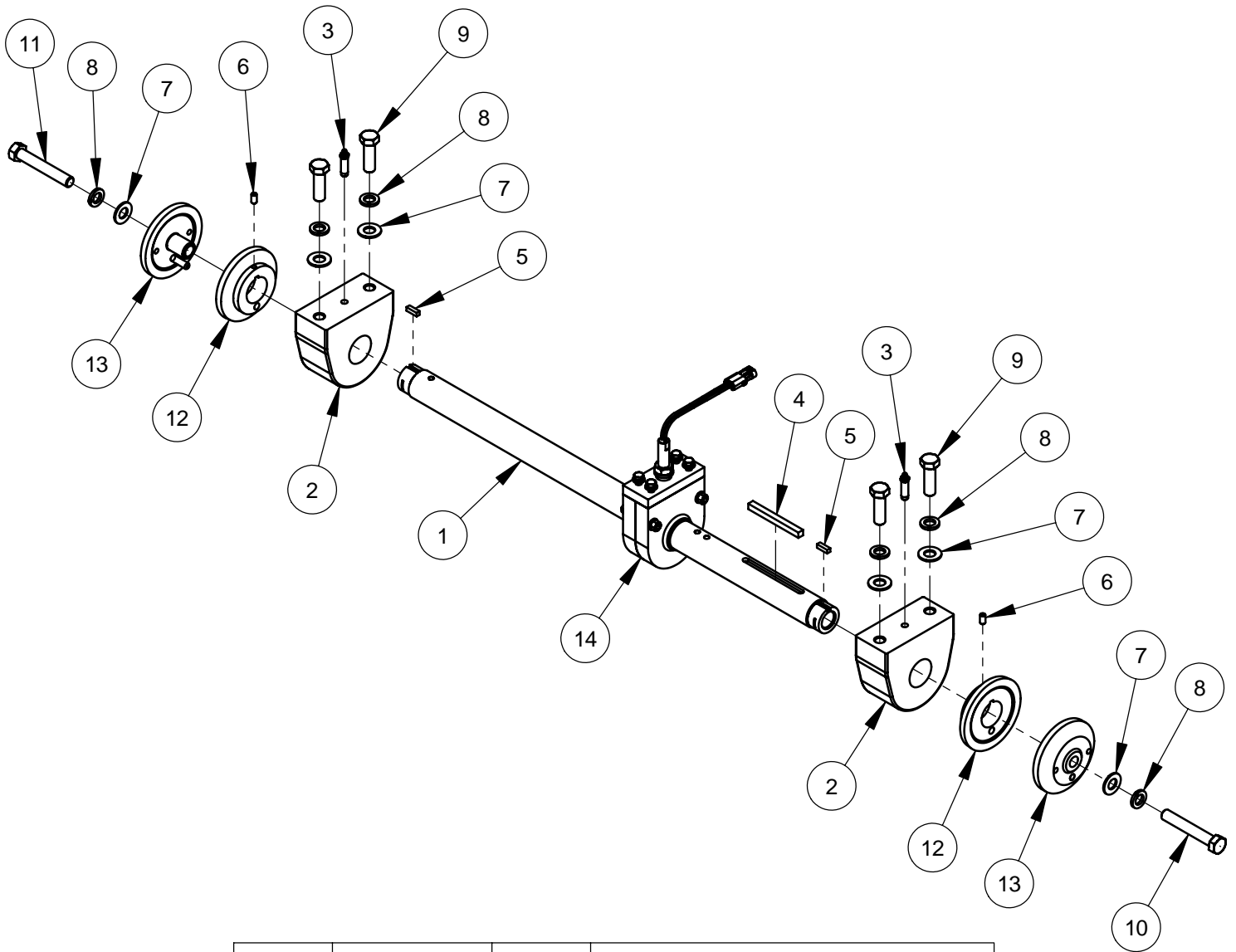
ITEM	PART NO.	QTY.	DESCRIPTION
1	6010535	1	Front Axle Weldment
2	6010581	2	Wheel Assembly, 8" Front
3	2501393	2	Wheel Cover Gasket
4	6010536	2	Wheel Cover
5	2900038	8	Lock Washer, #10 Split
6	2900159	8	Machine Screw, Rd. Hd., #10-24 x 5/8"
7	2900127	2	Flat Washer, 1/2" USS
8	2900084	6	Lock Washer, 1/2" Split
9	2900025	6	Cap Screw, Hex Hd., 1/2-13 x 1-1/4"
10	2900058	4	Flat Washer, 1/2" SAE
11	2500158	2	Pillow Block Bearing 1-1/4"
12	2900002	1	Flat Washer, 5/8" SAE
13	2900113	1	Lock Washer, 5/8" Split
14	2900112	1	Hex Nut, 5/8-11
15	2900492	1	Tap Bolt, Hex Hd., 5/8-11 x 4"
16	2900446	1	Swivel Pad Nut, 5/8-11
17	2900184	1	Grease Fitting, 1/8" NPT x 45 degree

Front Wheel Assembly #6010581



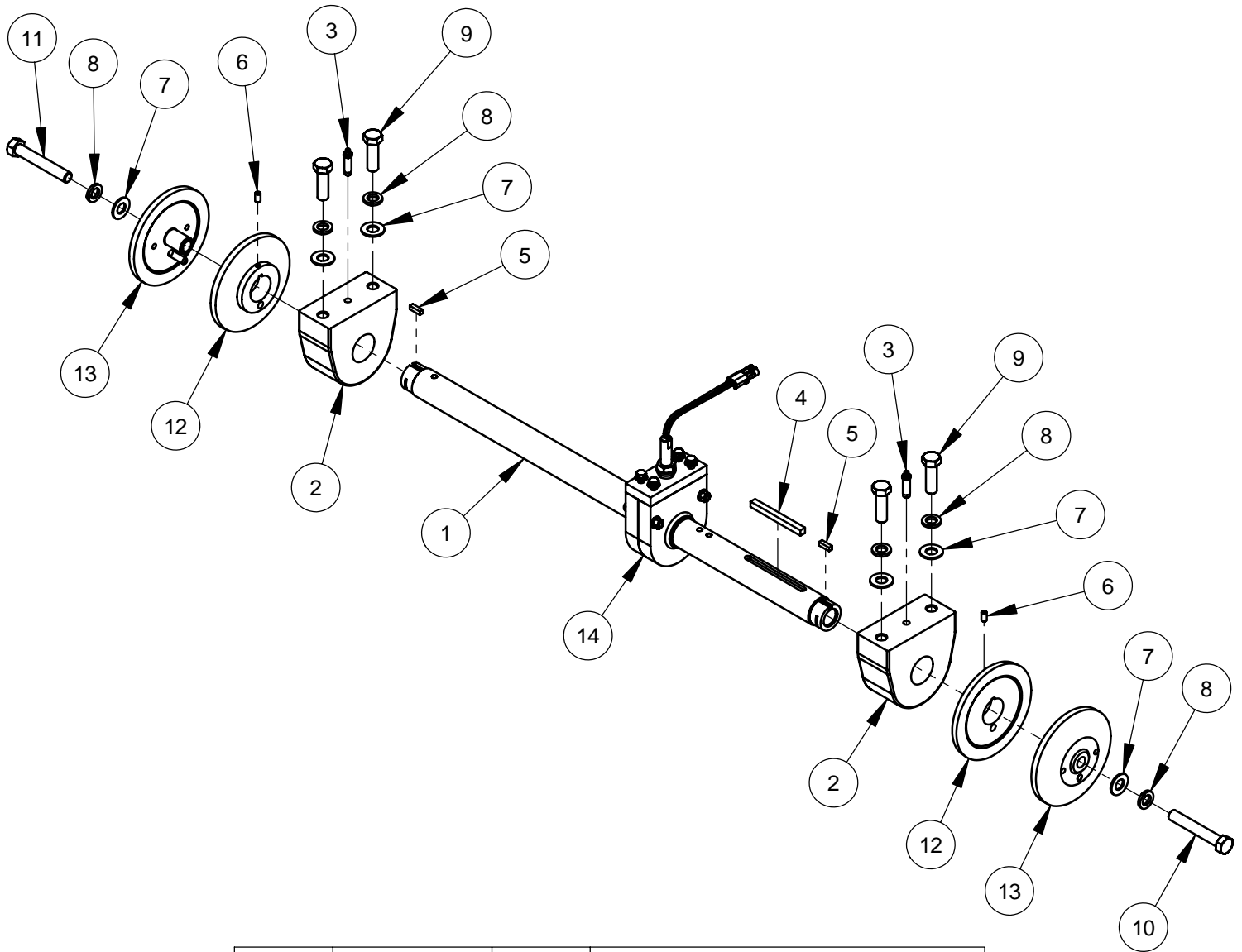
ITEM	PART NO.	QTY.	DESCRIPTION
1	2501390	1	Wheel, 8" Front
2	2501428	1	Seal, 1-1/2" V-Ring
3	2501391	1	Seal, 1-1/4" x 1-3/4" x 1/4"
4	2501418	4	Ball Bearing, 1" x 2" x 1/2"
5	2501392	1	Retaining Ring, 2" Internal

Blade Shaft Assembly #6010713A (Blades 14" - 26")



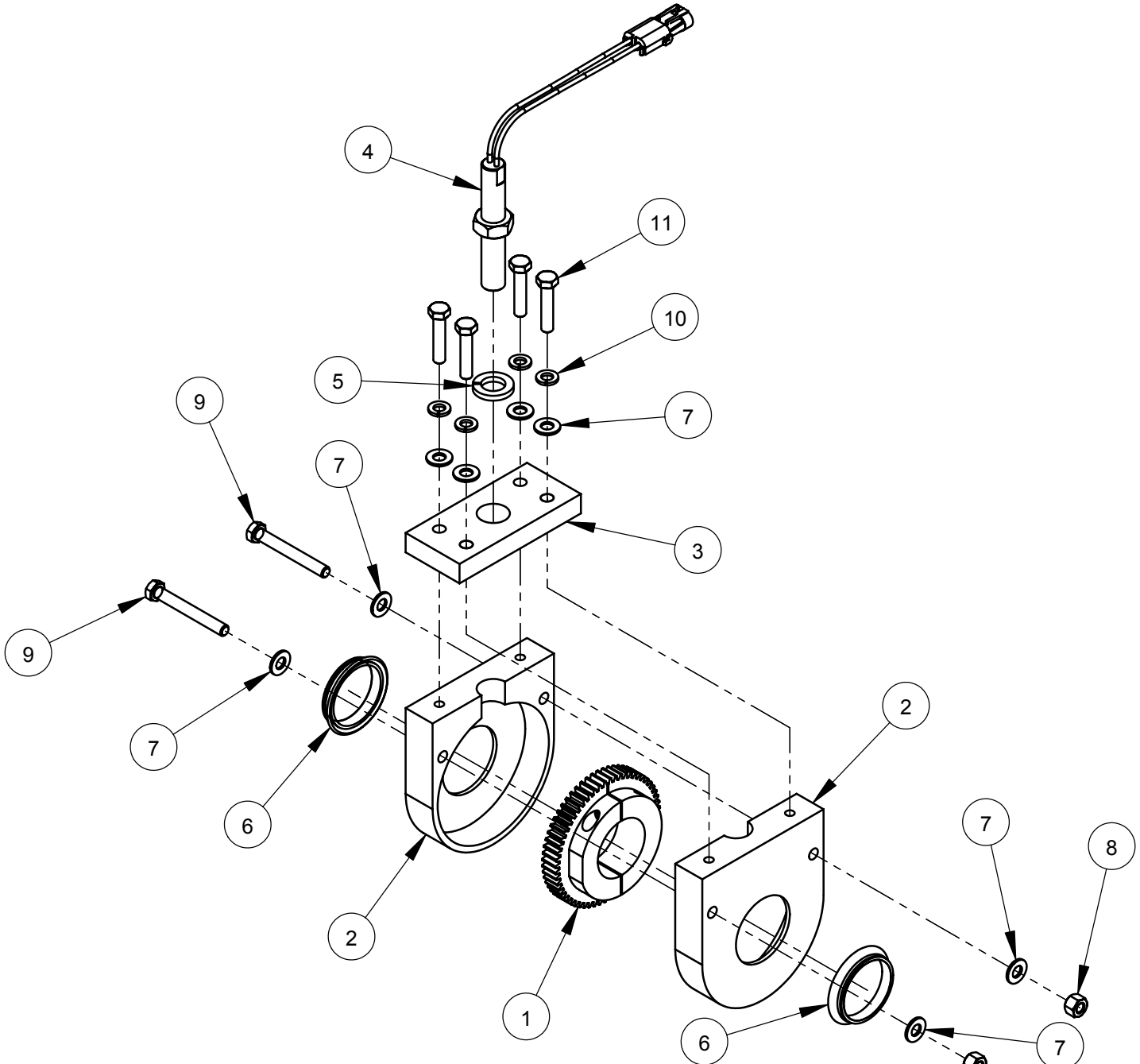
ITEM	PART NO.	QTY.	DESCRIPTION
1	6010543	1	Blade Shaft
2	2500151	2	Blade Shaft Bearing, 1-3/4"
3	2900264	2	Grease Fitting, 1/8" NPT x 1-3/4"
4	4645006	1	Key, 3/8" Sq. x 4"
5	6010040	2	Key, 1/4" Sq. x 13/16"
6	2900418	2	Set Screw, Soc. Hd., 5/16-18 x 5/8"
7	2900002	6	Flat Washer, 5/8" SAE
8	2900113	6	Lock Washer, 5/8" Split
9	2900136	4	Cap Screw, Hex Hd., 5/8-11 x 2"
10	2900146	1	Cap Screw, Hex Hd., 5/8-11 x 4"
11	2900130	1	Cap Screw, Hex Hd., 5/8-11 x 4" LH
12	6010036	2	Inner Flange 4-1/2"
13	6010037	2	Outer Flange 4-1/2" with Pin
14	6010697	1	Shaft Tach Gear Assembly

Blade Shaft Assembly #6010713B (Blades 30" - 36")



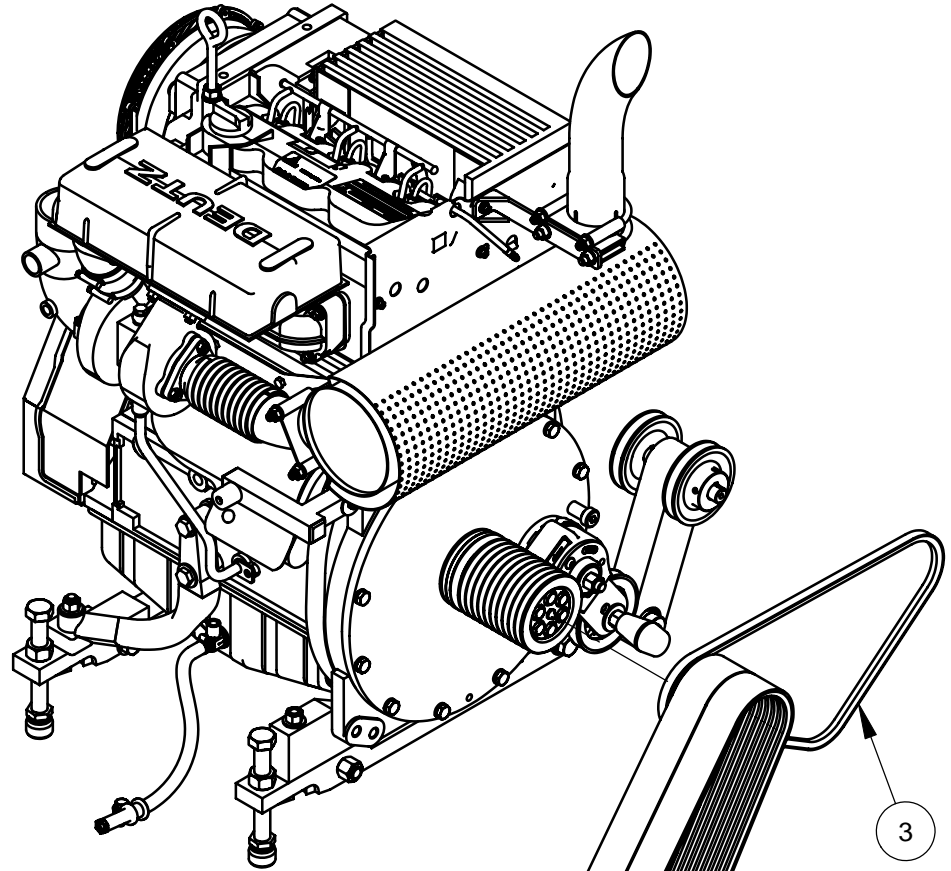
ITEM	PART NO.	QTY.	DESCRIPTION
1	6010543	1	Blade Shaft
2	2500151	2	Blade Shaft Bearing, 1-3/4"
3	2900264	2	Grease Fitting, 1/8" NPT x 1-3/4"
4	4645006	1	Key, 3/8" Sq. x 4"
5	6010040	2	Key, 1/4" Sq. x 13/16"
6	2900418	2	Set Screw, Soc. Hd., 5/16-18 x 5/8"
7	2900002	6	Flat Washer, 5/8" SAE
8	2900113	6	Lock Washer, 5/8" Split
9	2900136	4	Cap Screw, Hex Hd., 5/8-11 x 2"
10	2900146	1	Cap Screw, Hex Hd., 5/8-11 x 4"
11	2900130	1	Cap Screw, Hex Hd., 5/8-11 x 4" LH
12	6010038	2	Inner Flange 6"
13	6010039	2	Outer Flange 6" with Pin
14	6010697	1	Shaft Tach Gear Assembly

Shaft Tach Gear Assembly #6010697



ITEM	PART NO.	QTY.	DESCRIPTION
1	6010230	1	Shaft Tach Gear, Split
2	6010669	2	Shaft Tach Gear Guard
3	6010668	1	Shaft Tach Guard Spacer 5/8"
4	2800170	1	Magnetic Sensor w/Jam Nut
5	2900113	1	Lock Washer, 5/8" Split
6	2501752	2	Seal, 1-3/4" V-Ring
7	2900022	8	Flat Washer, 5/16" SAE
8	2900039	2	Lock Nut, 5/16-18 Nylon
9	2900726	2	Cap Screw, Hex Hd., 5/16-18 x 2-1/2"
10	2900031	4	Lock Washer, 5/16" Split
11	2900508	4	Cap Screw, Hex Hd., 5/16-18 x 1-1/2"

Belt Drive Assembly #6010733



14" BLADE DRIVE

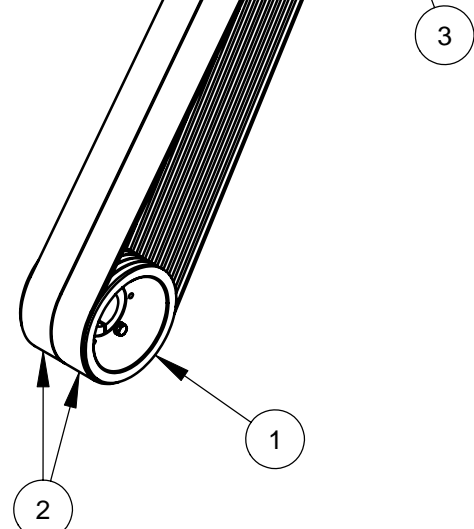
ITEM	PART NO.	QTY.	DESCRIPTION
1	6010658	1	Sheave, 4" x 10 Groove w/Bushing
	2501380	1	Sheave, 4" x 10 Groove Taper Style
	2501410	1	Taper Bushing, 1-3/4" w/Setscrews
2	2502041	1	Belt Set, 5/3VX530 - 5 Strand
3	2501781	1	V-Belt, AX42

20" & 26" BLADE DRIVE

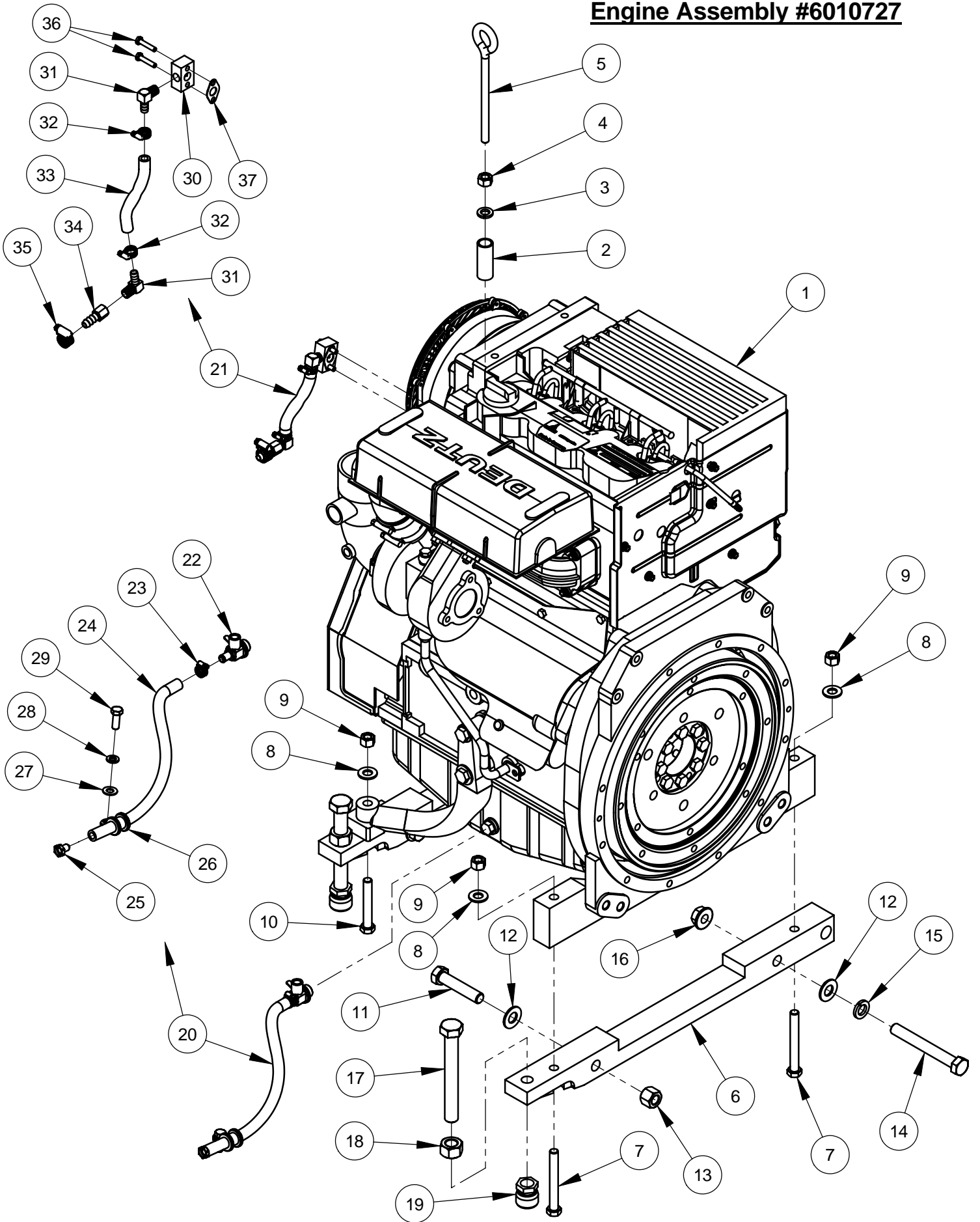
ITEM	PART NO.	QTY.	DESCRIPTION
1	6010545	1	Sheave, 4.5" x 10 Groove w/Bushing
	2501381	1	Sheave, 4.5" x 10 Groove Taper Style
	2501410	1	Taper Bushing, 1-3/4" w/Setscrews
2	2502041	1	Belt Set, 5/3VX530 - 5 Strand
3	2501781	1	V-Belt, AX42

30" & 36" BLADE DRIVE

ITEM	PART NO.	QTY.	DESCRIPTION
1	6013046	1	Sheave, 6" x 10 Groove w/Bushing
	2500439	1	Sheave, 6" x 10 Groove QD Style
	2500176	1	QD Bushing, SK x 1-3/4" w/Fasteners
2	2502042	1	Belt Set, 5/3VX560 - 5 Strand
3	2501781	1	V-Belt, AX42



Engine Assembly #6010727



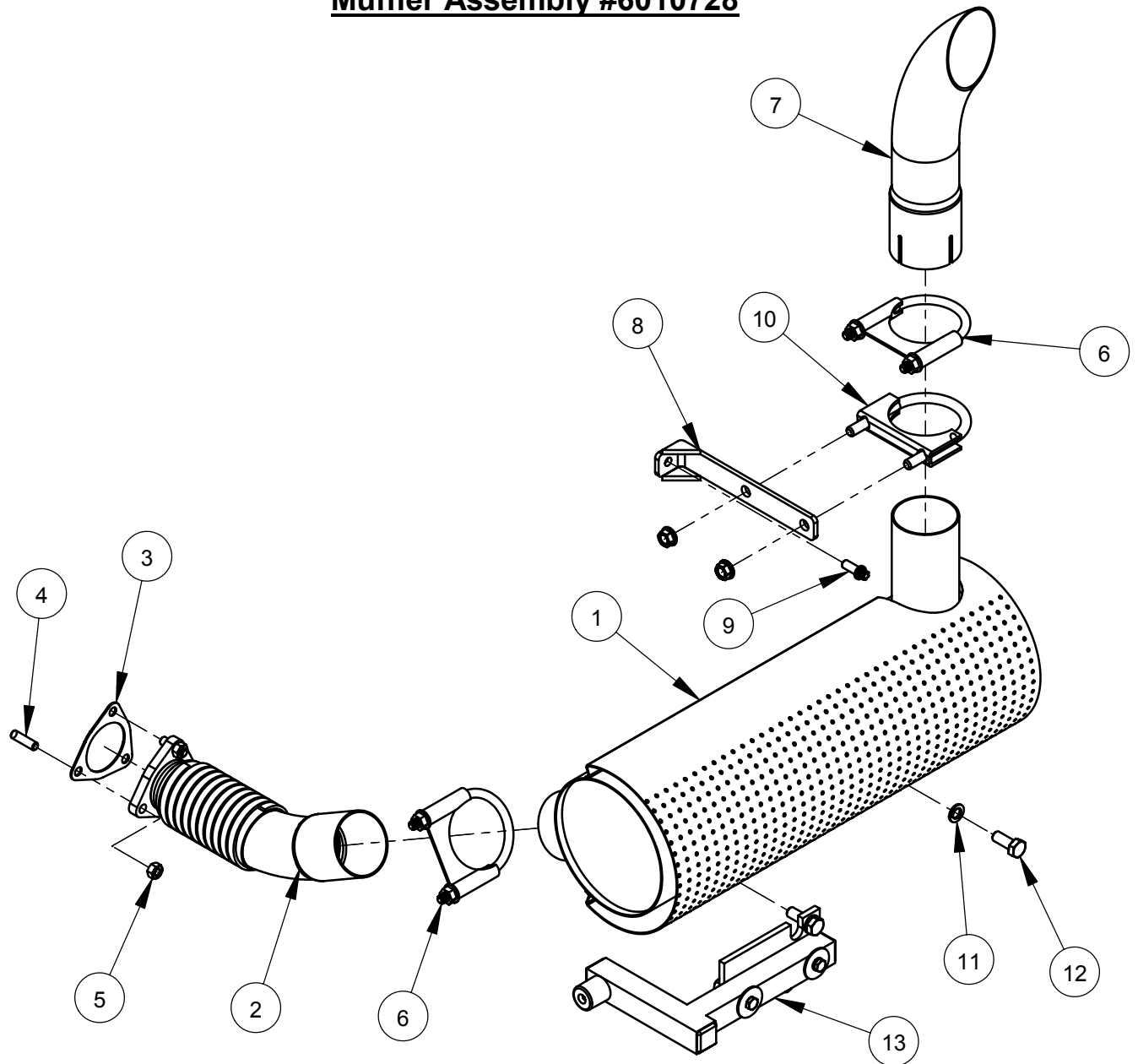
Engine Assembly #6010727

ITEM	PART NO.	QTY.	DESCRIPTION
1	2600326	1	Engine, Deutz Model BF3L2011
2	6090417	1	Spacer, 2-1/4" Long
3	2900084	1	Lock Washer, 1/2" Split
4	2900482	1	Hex Nut, M12
5	2900481	1	Eyebolt, M12 x 6"
6	6010659	2	Engine Support Leg
7	2900347	2	Cap Screw, Hex Hd., M12 x 100mm
8	2900058	4	Flat Washer, 1/2" SAE
9	2900327	4	Lock Nut, M12 Nylon
10	2900346	2	Cap Screw, Hex Hd., M12 x 80mm
11	2900195	2	Cap Screw, Hex Hd., 5/8-11 x 3"
12	2900002	4	Flat Washer, 5/8" SAE
13	2900135	2	Lock Nut, 5/8-11 Nylon
14	2900502	2	Cap Screw, Hex Hd., 5/8-11 x 5"
15	2900113	2	Lock Washer, 5/8" Split
16	2900491	2	Lock Nut, 5/8-11 Flanged
17	2900480	2	Tap Bolt, Hex Hd., 3/4-10 x 6"
18	2900041	2	Hex Nut, 3/4-10
19	2900476	2	Swivel Pad Nut, 3/4-10
20	6010698	1	Oil Drain Valve Assembly
21	6010712	1	Crankcase Breather Assembly

ITEM	PART NO.	QTY.	DESCRIPTION
22	3200814	1	Oil Drain Valve, M18x1.5
23	3200062	1	Hose Clamp #4
24	6010364	1	Oil Drain Hose, 3/8" I.D. x 14"
25	3200741	1	Hose Plug
26	2501434	1	Hose Clamp, 1/2" x 3/4" Wide
27	2900014	1	Flat Washer, 3/8" SAE
28	2900006	1	Lock Washer, 3/8" Split
29	2900005	1	Cap Screw, Hex Hd., 3/8-16 x 1"

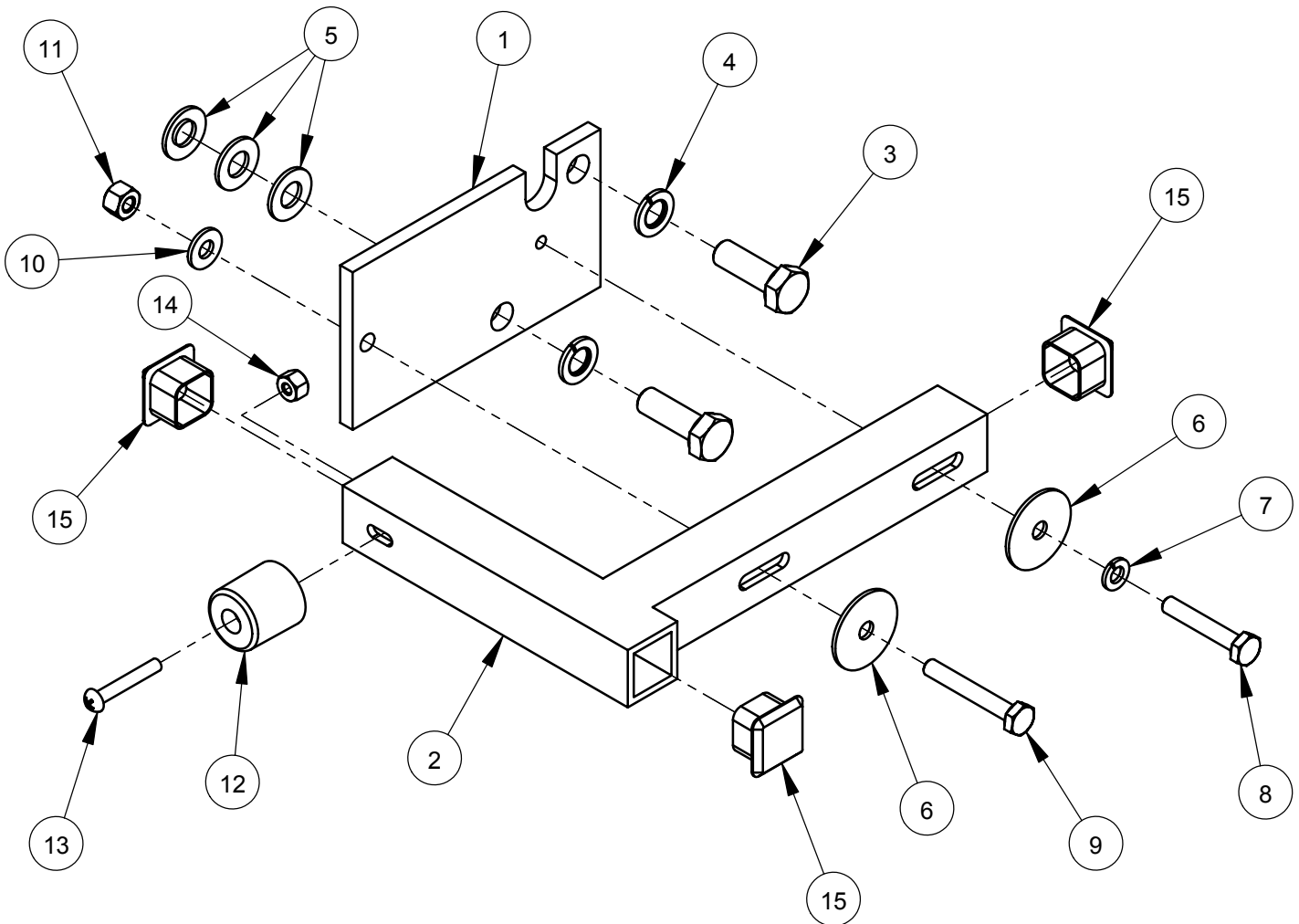
ITEM	PART NO.	QTY.	DESCRIPTION
30	6010710	1	Breather Block
31	3200475	2	Elbow, 1/4" M. Pipe to 3/8" Hose Barb
32	3200062	2	Hose Clamp #4
33	6010711	1	Breather Hose, 3/8" I.D. x 5"
34	3200031	1	Fitting, 1/4" F. Pipe to 3/8" Hose Barb
35	3200016	1	Hose Clamp #8
36	2900342	2	Cap Screw, Hex Hd., M6 x 30mm
37	2702620	1	Gasket, Crankcase Breather

Muffler Assembly #6010728



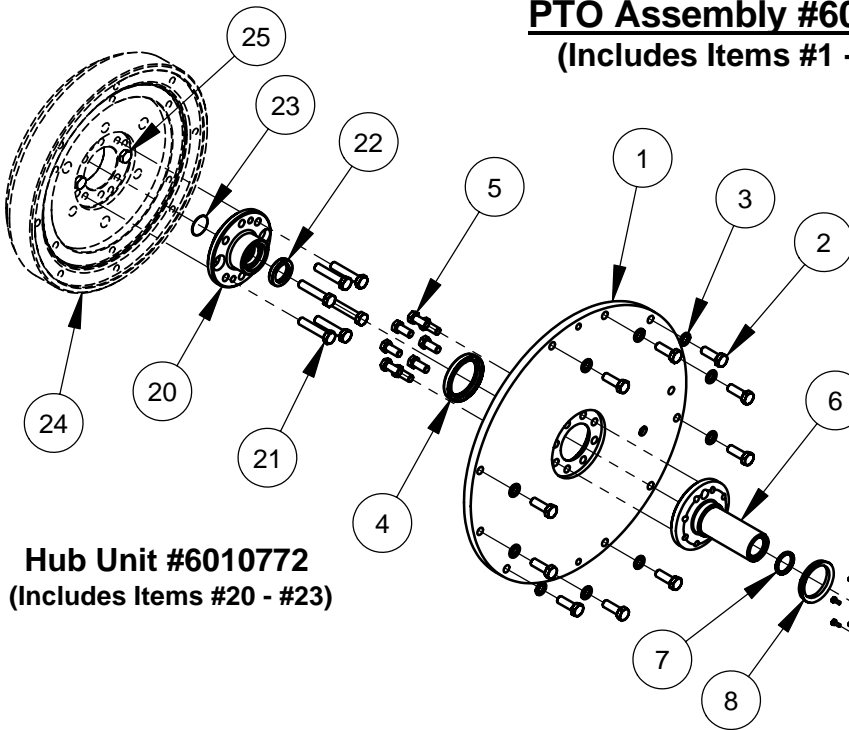
ITEM	PART NO.	QTY.	DESCRIPTION
1	2702785	1	Muffler
2	2702786	1	Exhaust Pipe
3	2701618	1	Gasket, Turbo Outlet
4	2702549	3	Stud, M8 x 30mm
5	2900343	3	Hex Nut, M8
6	2700609	2	Muffler Clamp 2-1/2"
7	2501775	1	Tail Pipe, 2-1/2" I.D. x 12"
8	6010691	1	Muffler Stabilizer Bar
9	2702619	1	Screw, Torx Head, M8 x 20mm
10	2501786	1	Muffler Clamp, 2-1/2"
11	2900321	1	Lock Washer, M10 Split
12	2900333	1	Cap Screw, Hex Hd., M10 x 25mm
13	6010696	1	Pointer Stop Assembly

Pointer Stop Assembly #6010696



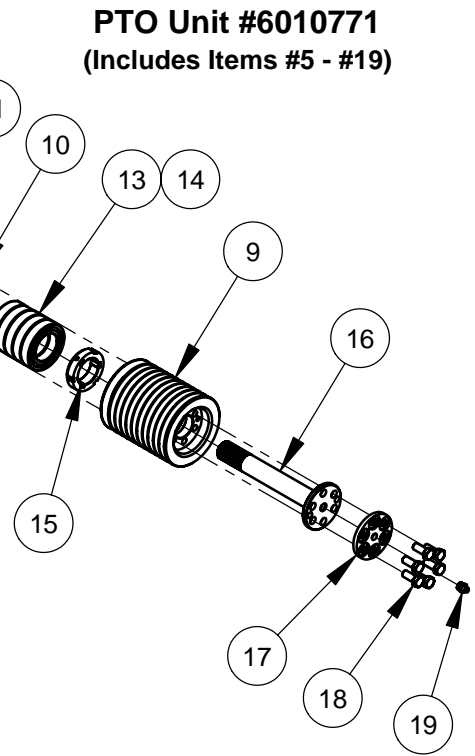
ITEM	PART NO.	QTY.	DESCRIPTION
1	6010688	1	Adapter Plate
2	6010583	1	Pointer Stop
3	2900223	2	Cap Screw, Hex Hd., M10 x 30mm
4	2900321	2	Lock Washer, M10 Split
5	2900014	3	Flat Washer, 3/8" SAE
6	2900083	2	Fender Washer, 1/4" x 1-1/4"
7	2900024	1	Lock Washer, 1/4" Split
8	2900048	1	Cap Screw, Hex Hd., 1/4-20 x 1-1/2"
9	2900392	1	Cap Screw, Hex Hd., 1/4-20 x 1-3/4"
10	2900009	1	Flat Washer, 1/4" SAE
11	2900010	1	Lock Nut, 1/4-20 Nylon
12	2501093	1	Bumper, 1"
13	2900172	1	Machine Screw, Rd. Hd., #10-24 x 1-1/4"
14	2900017	1	Lock Nut, #10-24 Nylon
15	2500573	3	Plug, 1" Square Tube

PTO Assembly #6010770
(Includes Items #1 - #23)



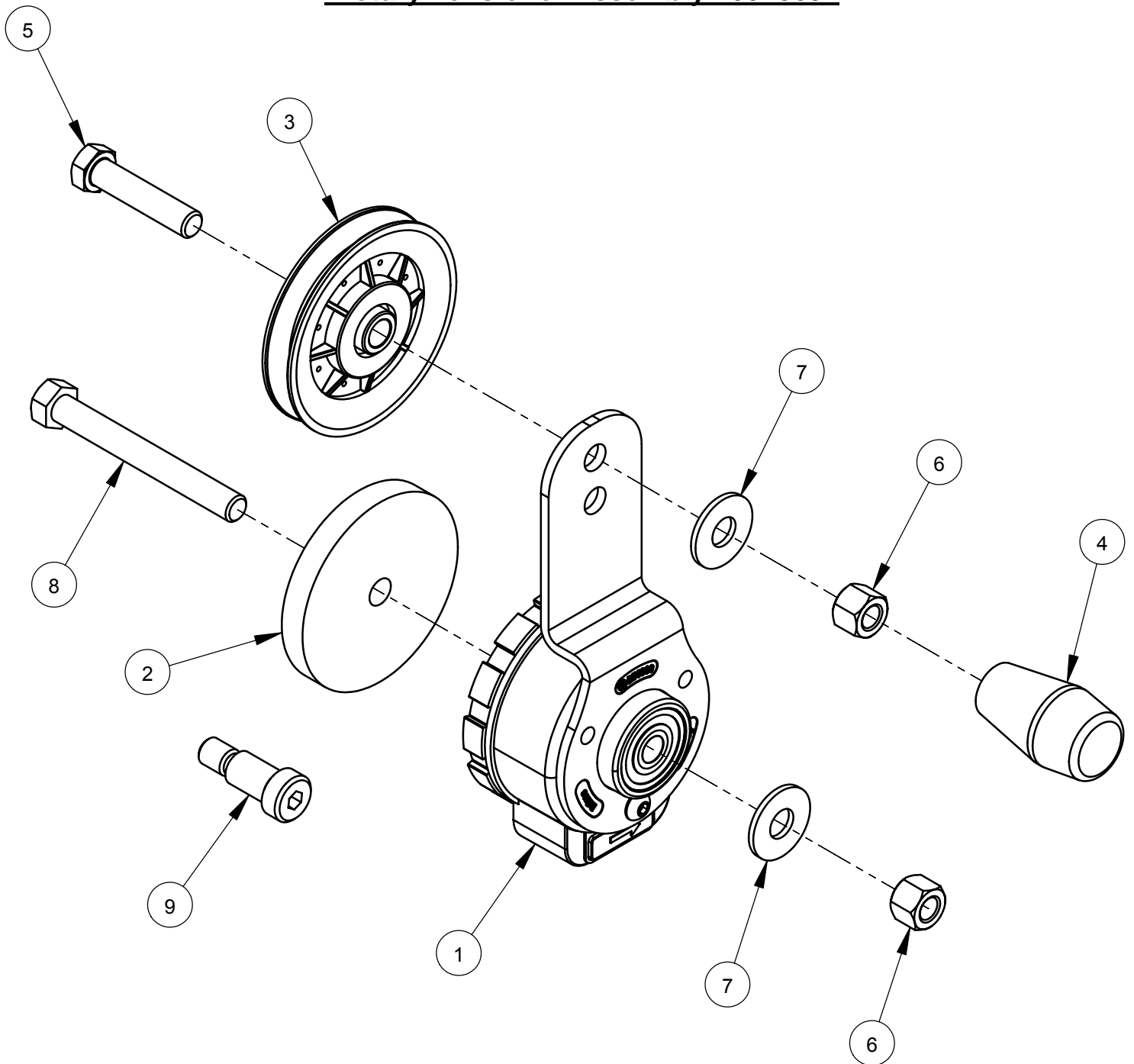
Hub Unit #6010772
(Includes Items #20 - #23)

PTO Unit #6010771
(Includes Items #5 - #19)



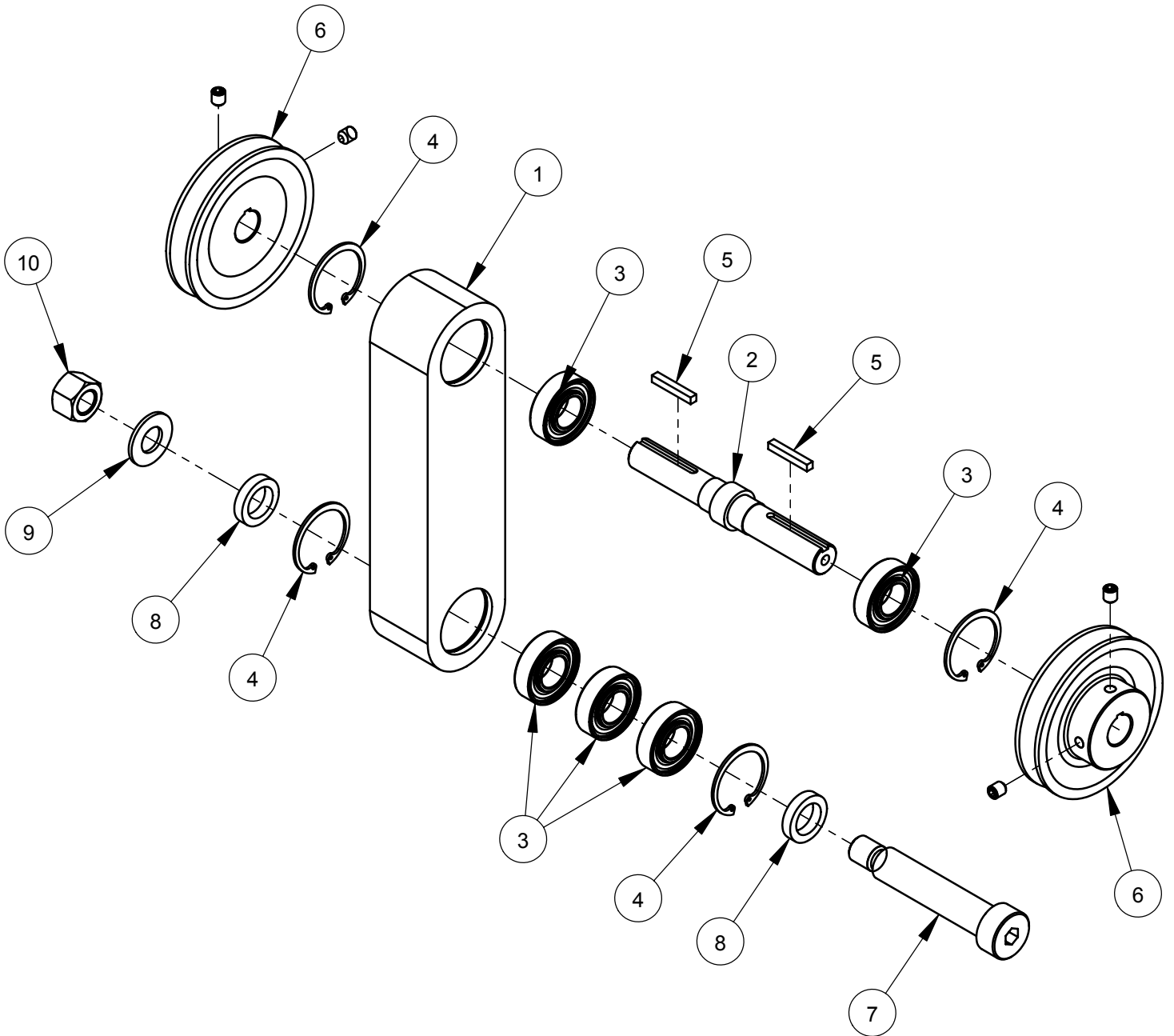
ITEM	PART NO.	QTY.	DESCRIPTION
1	6010352	1	Inner Ring Support
2	2900223	11	Cap Screw, Hex Hd., M10 x 30mm
3	2900321	11	Lock Washer, M10 Split
4	2501983	1	Seal, 2" x 2-5/8" x 5/16"
5	2900621	8	Cap Screw, Hex Hd., 3/8-16 x 7/8"
6	2501717	1	Shaft Support Sleeve
7	2501984	1	Seal, 1" x 1-1/4" x 1/8"
8	2500751	1	Seal, 1-3/4" V-Ring
9	2501722	1	Sheave, 4" x 11 Groove
10	2501719	1	Bearing Retainer Plate
11	2501998	1	Grease Slinger Disc
12	2900624	6	Machine Screw, Hex Hd., #6-32 x 3/8"
13	2501986	5	Ball Bearing, 40mm x 68mm x 15mm
14	2501747	4	Shim, 40mm x 50mm x 0.1mm
15	2900654	1	Bearing Lock Nut, 1-9/16"-18
16	2501720	1	Splined Drive Shaft
17	2501985	1	Grease Disc
18	2900954	6	Cap Screw, Hex Hd., 3/8-24 x 7/8"
19	2900062	1	Grease Fitting, 1/8" NPT
20	2501721	1	Coupling Hub
21	2900633	6	Cap Screw, Hex Hd., M10x1.0 x 50mm
22	2501714	1	Seal, 1" x 1-1/2" x 1/4"
23	2501670	1	Hubbard Plug, 1-1/8"
24	2701276	1	Flywheel, Deutz Engine
25	2702756	2	Cap Screw, Hex Hd., M10x1.0 x 40mm

Rotary Tensioner Assembly #6010694



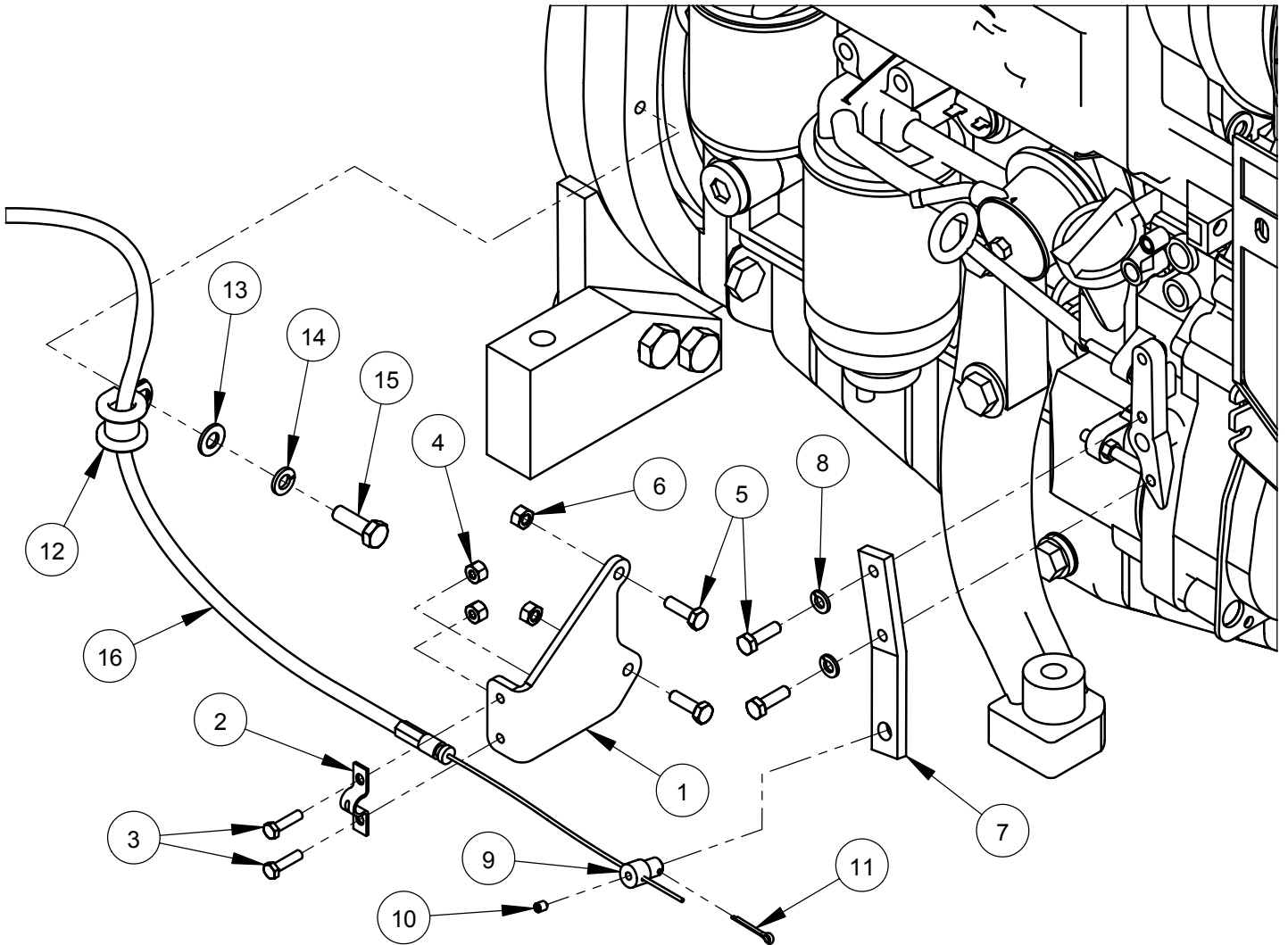
ITEM	PART NO.	QTY.	DESCRIPTION
1	2501750	1	Rotary Tensioner
2	6010684	1	Rotary Tensioner Spacer 1/2"
3	2501751	1	Idler Pulley 4"
4	2501754	1	Knob, 1/2-13 Tapered
5	2900192	1	Cap Screw, Hex Hd., 1/2-13 x 2-1/4"
6	2900026	2	Lock Nut, 1/2-13 Nylon
7	2900127	2	Flat Washer, 1/2" USS
8	2900414	1	Cap Screw, Hex Hd., 1/2-13 x 4-1/4"
9	2900477	1	Shoulder Screw, 5/8" x 1" (1/2-13)

Transmission Jackshaft Assembly #6010695



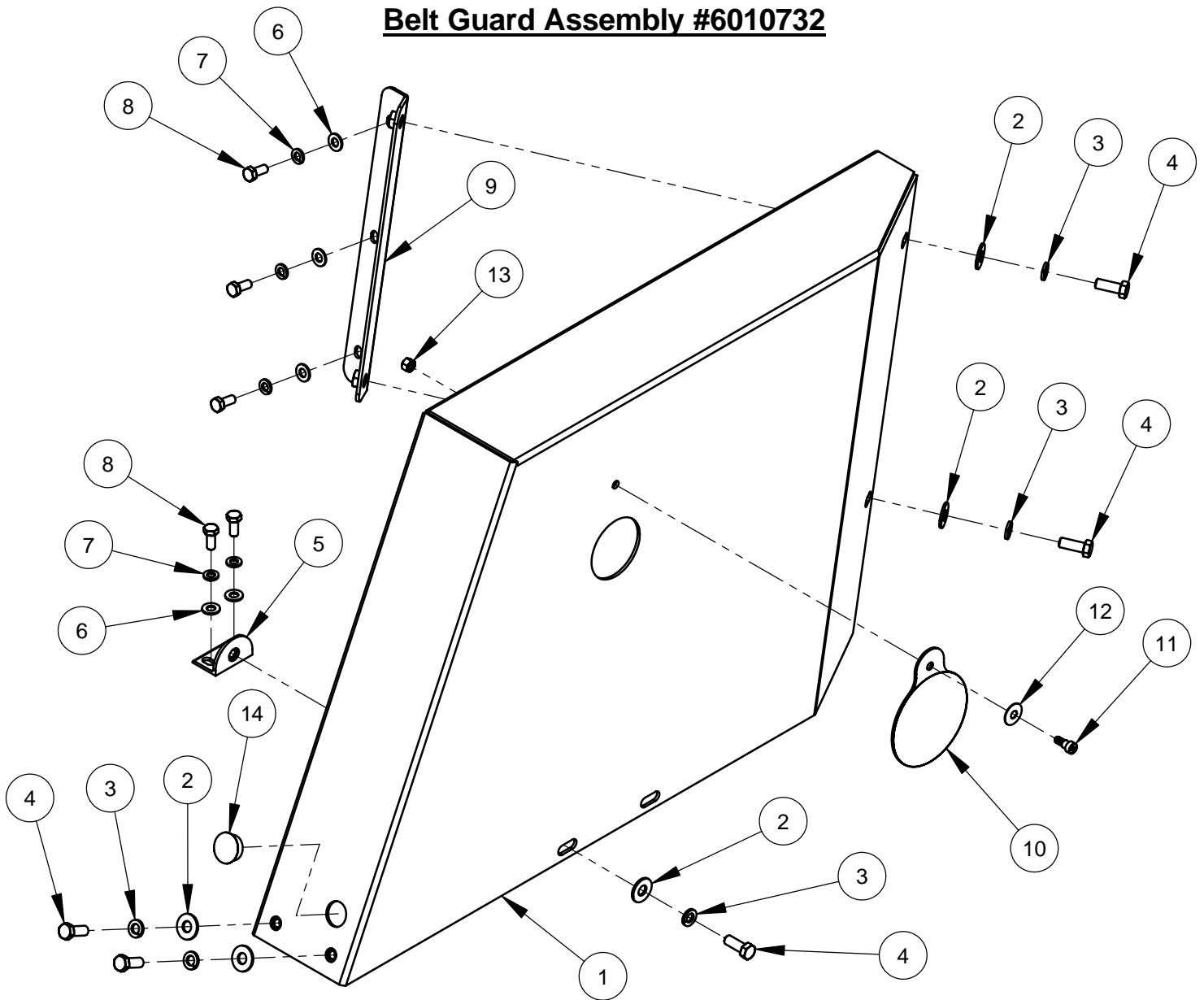
ITEM	PART NO.	QTY.	DESCRIPTION
1	6010667	1	Jackshaft Pivot Housing
2	6010666	1	Transmission Jackshaft
3	2501743	5	Ball Bearing, 20mm x 42mm x 12mm
4	2501748	4	Retaining Ring, 42mm Internal
5	6048229	2	Key, 3/16" Sq. x 1-1/4"
6	2500455	2	Pulley, 4" Single Groove w/Setscrews
7	2900669	1	Shoulder Bolt, 20mm x 90mm (M16)
8	6010685	2	Bearing Spacer, 1/4"
9	2900002	1	Flat Washer, 5/8" SAE
10	2900670	1	Lock Nut, M16 Nylon

Throttle Cable Assembly #6010729



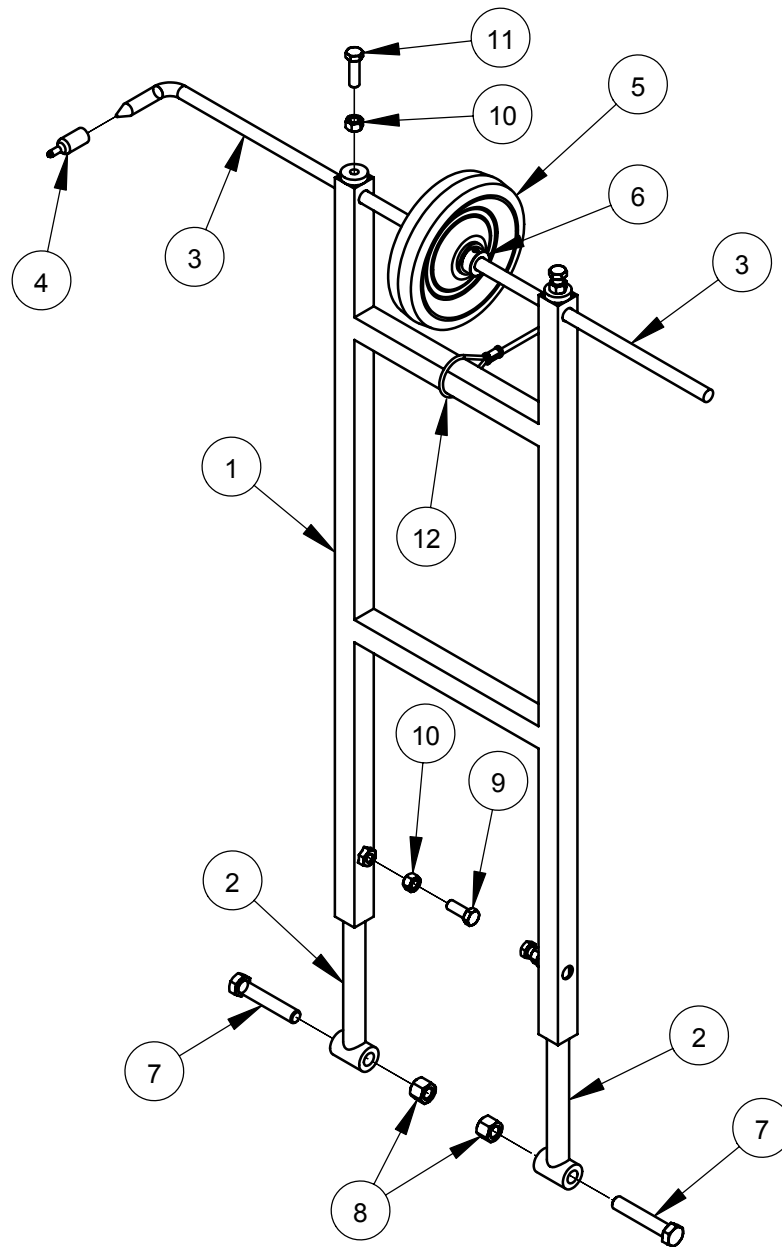
ITEM	PART NO.	QTY.	DESCRIPTION
1	6010523	1	Throttle Bracket
2	2500940	1	Throttle Cable Clamp
3	2900015	2	Machine Screw, Hex Hd., #10-24 x 3/4"
4	2900017	2	Lock Nut, #10-24 Nylon
5	2900310	4	Cap Screw, Hex Hd., M6 x 20mm
6	2900302	2	Lock Nut, M6 Nylon
7	6013029	1	Throttle Arm
8	2900024	2	Lock Washer, 1/4" Split
9	6048212	1	Pivot Pin
10	2900059	1	Set Screw, Soc. Hd., #10-32 x 1/4"
11	2900034	1	Cotter Pin, 3/32" x 3/4"
12	2501434	1	Hose Clamp, 1/2" x 3/4" Wide
13	2900022	1	Flat Washer, 5/16" SAE
14	2900031	1	Lock Washer, 5/16" Split
15	2900360	1	Cap Screw, Hex Hd., M8 x 25mm
16	2500376	1	Vernier Throttle Cable

Belt Guard Assembly #6010732



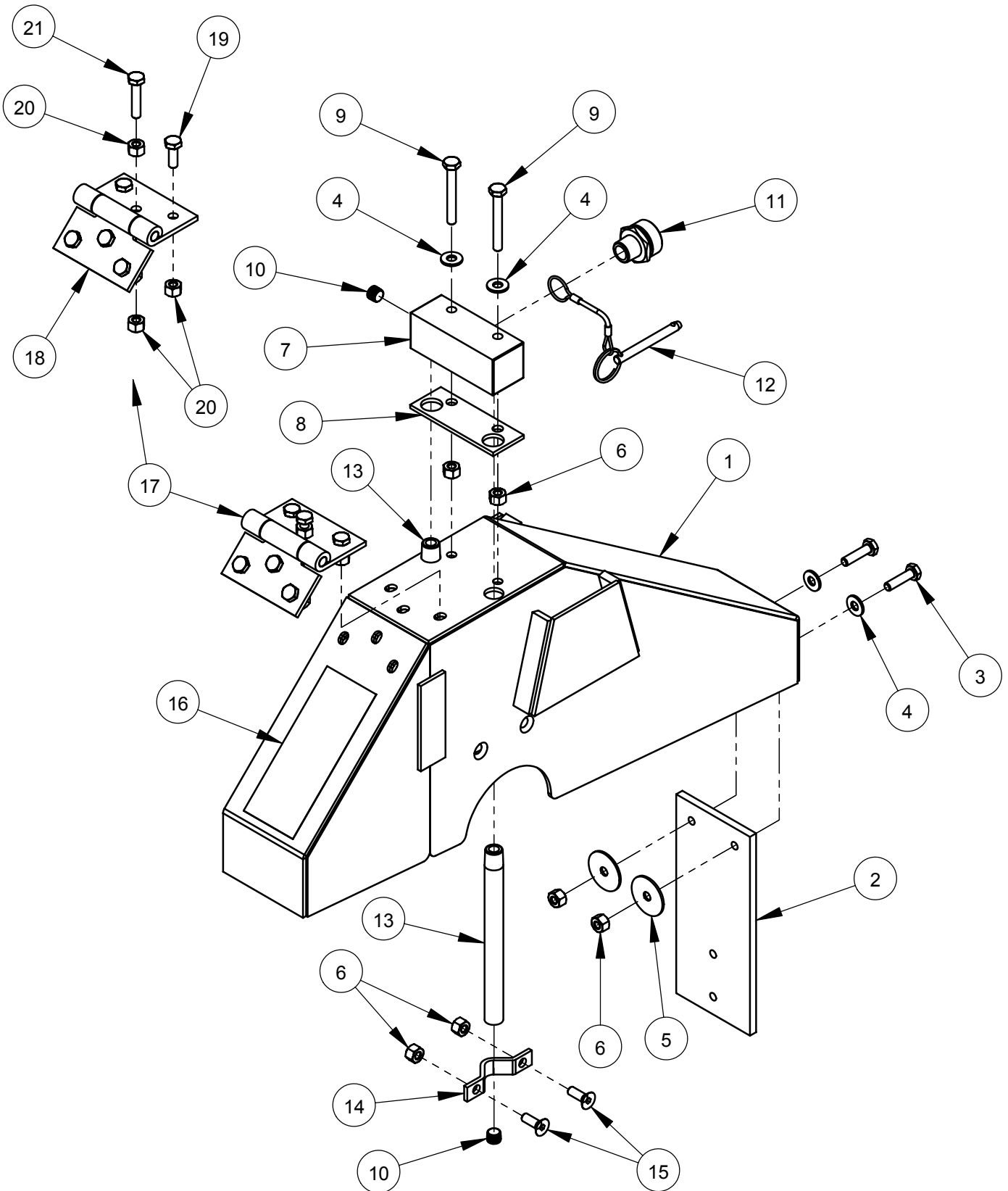
ITEM	PART NO.	QTY.	DESCRIPTION
1	6010690	1	Belt Guard
2	2900473	5	Flat Washer, 3/8" USS
3	2900006	5	Lock Washer, 3/8" Split
4	2900005	5	Cap Screw, Hex Hd., 3/8-16 x 1"
5	6010558	1	Guard Mounting Tab, 3/8-16
6	2900022	5	Flat Washer, 5/16" SAE
7	2900031	5	Lock Washer, 5/16" Split
8	2900019	5	Cap Screw, Hex Hd., 5/16-18 x 3/4"
9	6010556	1	Belt Guard Mount Bracket
10	6010768	1	Swing Cover Plate with Label
11	2900246	1	Shoulder Screw, 5/16" x 1/4" (1/4-20)
12	2900252	1	Belleville Washer, 5/16"
13	2900010	1	Lock Nut, 1/4-20 Nylon
14	2500489	1	Plug, 1" Hole

Front Pointer Assembly #6010540



ITEM	PART NO.	QTY.	DESCRIPTION
1	6010541	1	Front Pointer Frame
2	6011152	2	Front Pointer Arm
3	6013025	1	Front Pointer Rod
4	2500740	1	Pointer Cap
5	2501409	1	Wheel, 6"
6	2500007	2	Set Collar, 1/2" with Set Screw
7	2900105	2	Cap Screw, Hex Hd., 1/2-13 x 2-3/4"
8	2900026	2	Lock Nut, 1/2-13 Nylon
9	2900005	2	Cap Screw, Hex Hd., 3/8-16 x 1"
10	2900033	4	Hex Nut, 3/8-16
11	2900013	2	Cap Screw, Hex Hd., 3/8-16 x 1-1/4"
12	6013159	1	Pointer Lanyard

14" Blade Guard Assembly #6010600

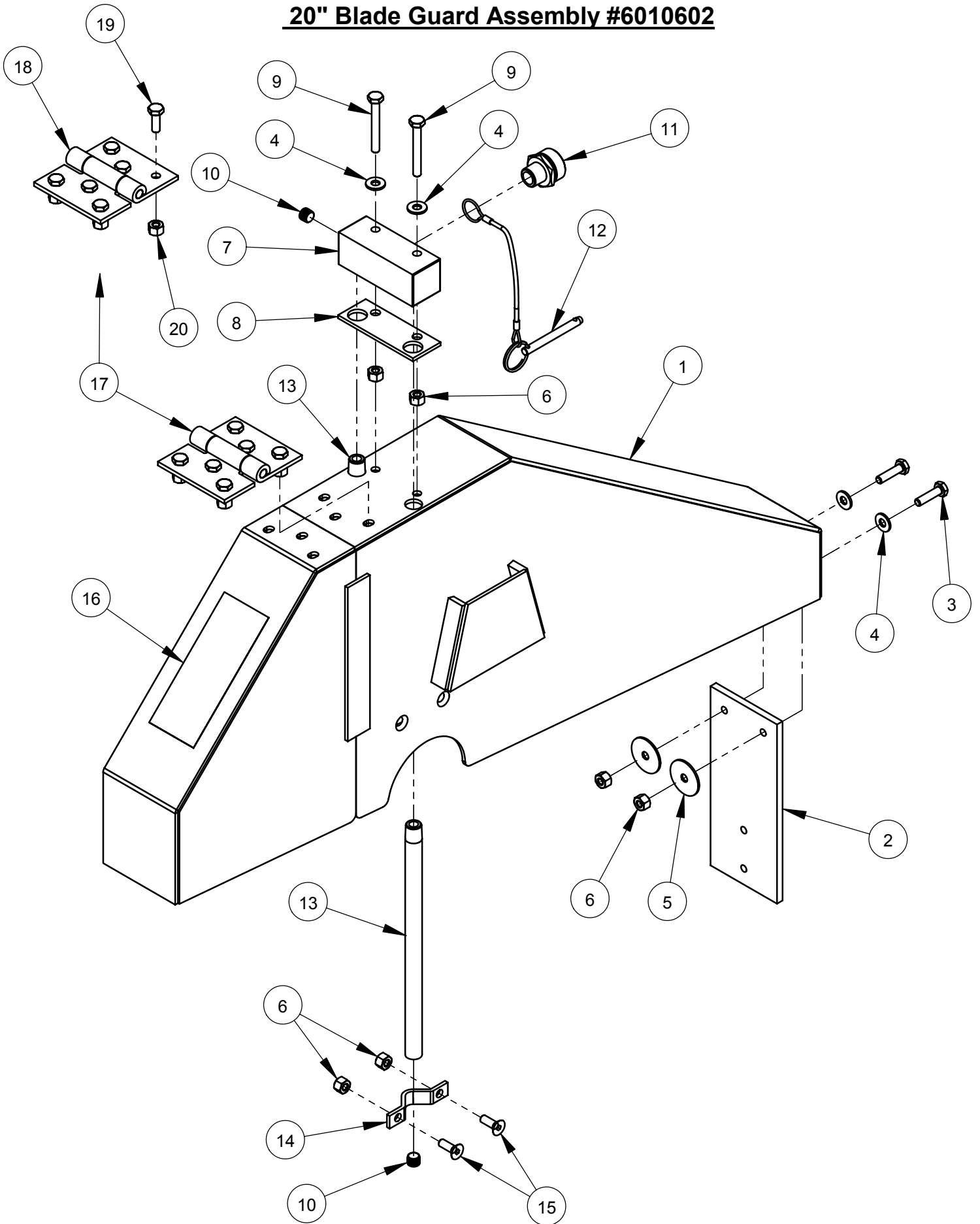


14" Blade Guard Assembly #6010600

ITEM	PART NO.	QTY.	DESCRIPTION
1	6010601	1	14" Blade Guard Front & Rear Only
2	6010081	1	Splash Flap
3	2900008	2	Cap Screw, Hex Hd., 1/4-20 x 1"
4	2900009	4	Flat Washer, 1/4" SAE
5	2900083	2	Fender Washer, 1/4" x 1-1/4"
6	2900010	8	Lock Nut, 1/4-20 Nylon
7	6010261	1	Water Manifold
8	2500830	1	Water Manifold Gasket
9	2900294	2	Cap Screw, Hex Hd., 1/4-20 x 2"
10	3200001	3	Plug, 1/8" NPT
11	3200002	1	Fitting, 3/8" M. Pipe to 3/4" M. Garden
12	2900278	1	Lanyard with Lock Pin
13	6048283	2	Water Tube for 14" Guard
14	6048155	2	Water Tube Clamp
15	2900020	4	Cap Screw, Flat Hd., 1/4-20 x 3/4"
16	1800001	1	Warning Label
17	6048150	1	Hinge Assembly for 14" Guard

ITEM	PART NO.	QTY.	DESCRIPTION
18	2500270	1	Blade Guard Hinge
19	2900144	5	Cap Screw, Hex Hd., 1/4-20 x 3/4"
20	2900010	7	Lock Nut, 1/4-20 Nylon
21	2900052	1	Cap Screw, Hex Hd., 1/4-20 x 1-1/4"

20" Blade Guard Assembly #6010602

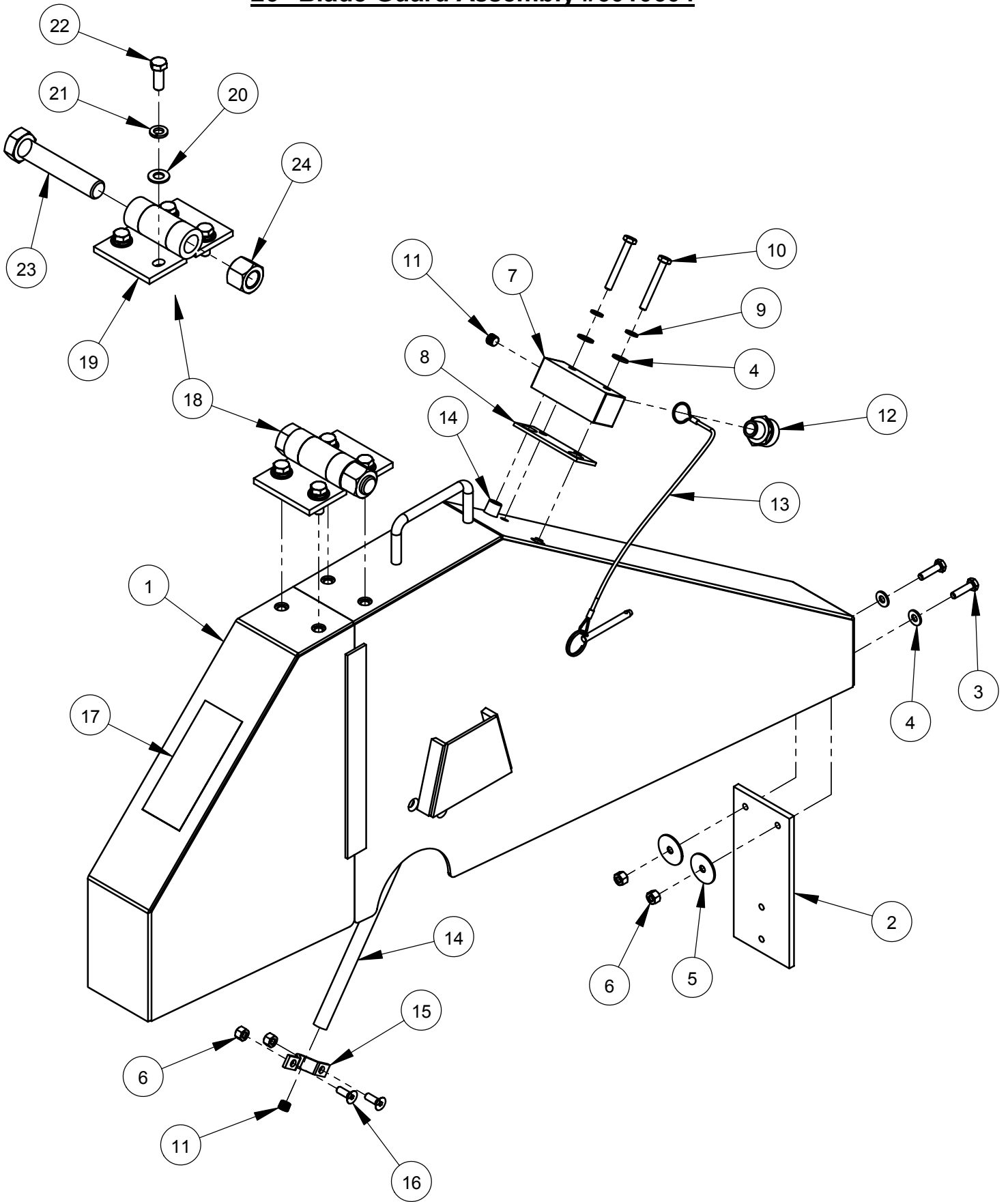


20" Blade Guard Assembly #6010602

ITEM	PART NO.	QTY.	DESCRIPTION
1	6010603	1	20" Blade Guard Front & Rear Only
2	6010081	1	Splash Flap
3	2900008	2	Cap Screw, Hex Hd., 1/4-20 x 1"
4	2900009	4	Flat Washer, 1/4" SAE
5	2900083	2	Fender Washer, 1/4" x 1-1/4"
6	2900010	8	Lock Nut, 1/4-20 Nylon
7	6010261	1	Water Manifold
8	2500830	1	Water Manifold Gasket
9	2900294	2	Cap Screw, Hex Hd., 1/4-20 x 2"
10	3200001	3	Plug, 1/8" NPT
11	3200002	1	Fitting, 3/8" M. Pipe to 3/4" M. Garden
12	2900278	1	Lanyard with Lock Pin
13	6010085	2	Water Tube for 20" Guard
14	6048155	2	Water Tube Clamp
15	2900020	4	Cap Screw, Flat Hd., 1/4-20 x 3/4"
16	1800001	1	Warning Label
17	6010251	1	Hinge Assembly for 20" Guard

ITEM	PART NO.	QTY.	DESCRIPTION
18	2500270	1	Blade Guard Hinge
19	2900144	6	Cap Screw, Hex Hd., 1/4-20 x 3/4"
20	2900010	6	Lock Nut, 1/4-20 Nylon

26" Blade Guard Assembly #6010604

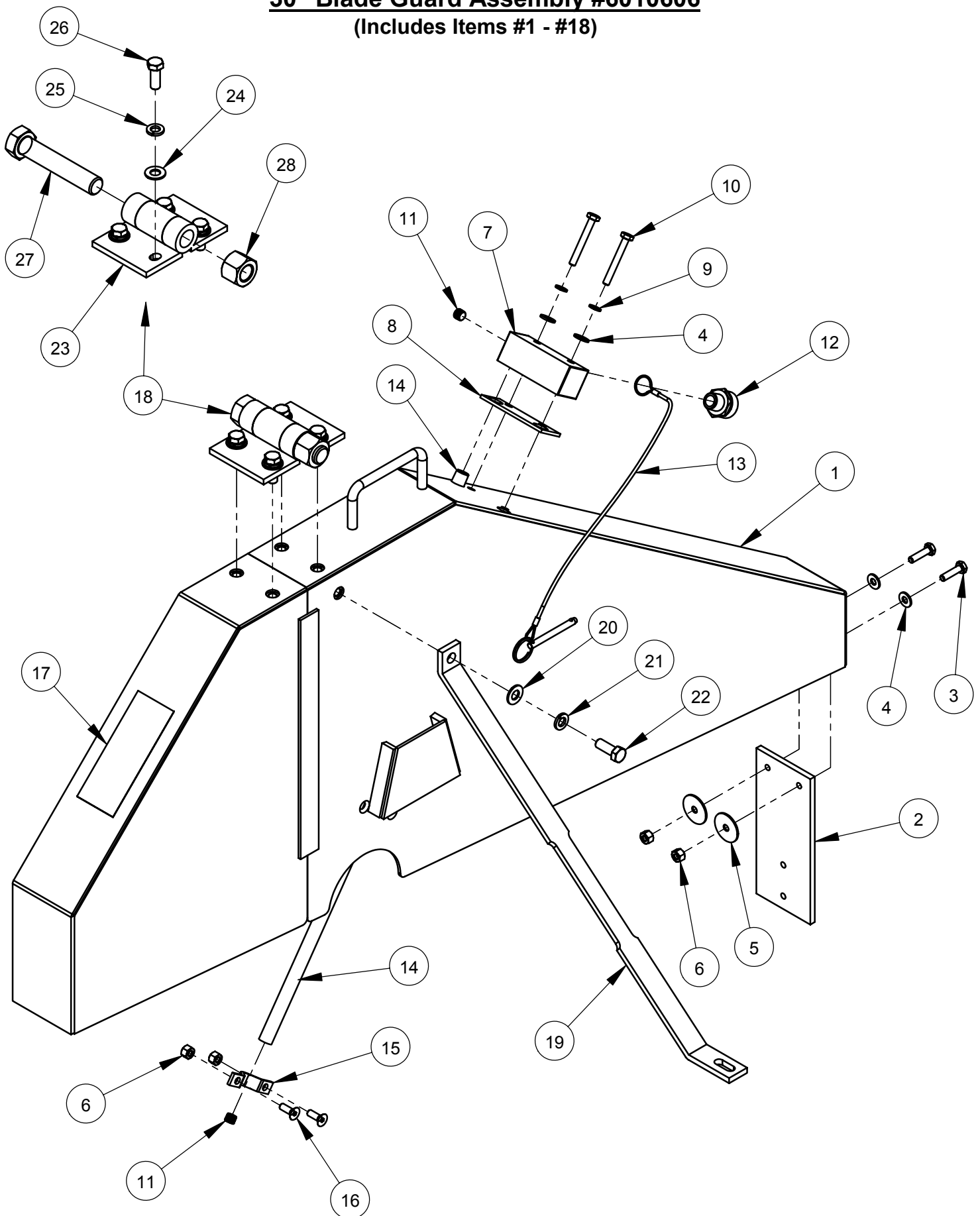


26" Blade Guard Assembly #6010604

ITEM	PART NO.	QTY.	DESCRIPTION
1	6010605	1	26" Blade Guard Front & Rear Only
2	6010081	1	Splash Flap
3	2900008	2	Cap Screw, Hex Hd., 1/4-20 x 1"
4	2900009	4	Flat Washer, 1/4" SAE
5	2900083	2	Fender Washer, 1/4" x 1-1/4"
6	2900010	6	Lock Nut, 1/4-20 Nylon
7	6010261	1	Water Manifold
8	2500830	1	Water Manifold Gasket
9	2900024	2	Lock Washer, 1/4" Split
10	2900294	2	Cap Screw, Hex Hd., 1/4-20 x 2"
11	3200001	3	Plug, 1/8" NPT
12	3200002	1	Fitting, 3/8" M. Pipe to 3/4" M. Garden
13	2900279	1	Lanyard with Lock Pin
14	6010086	2	Water Tube for 26" Guard
15	6048155	2	Water Tube Clamp
16	2900020	4	Cap Screw, Flat Hd., 1/4-20 x 3/4"
17	1800001	1	Warning Label
18	6010560	1	Blade Guard Hinge Assembly

ITEM	PART NO.	QTY.	DESCRIPTION
19	6010549	1	Blade Guard Hinge
20	2900014	4	Flat Washer, 3/8" SAE
21	2900006	4	Lock Washer, 3/8" Split
22	2900005	4	Cap Screw, Hex Hd., 3/8-16 x 1"
23	2900479	1	Cap Screw, Hex Hd., 3/4-10 x 4"
24	2900467	1	Lock Nut, 3/4-10 Nylon

30" Blade Guard Assembly #6010606
(Includes Items #1 - #18)

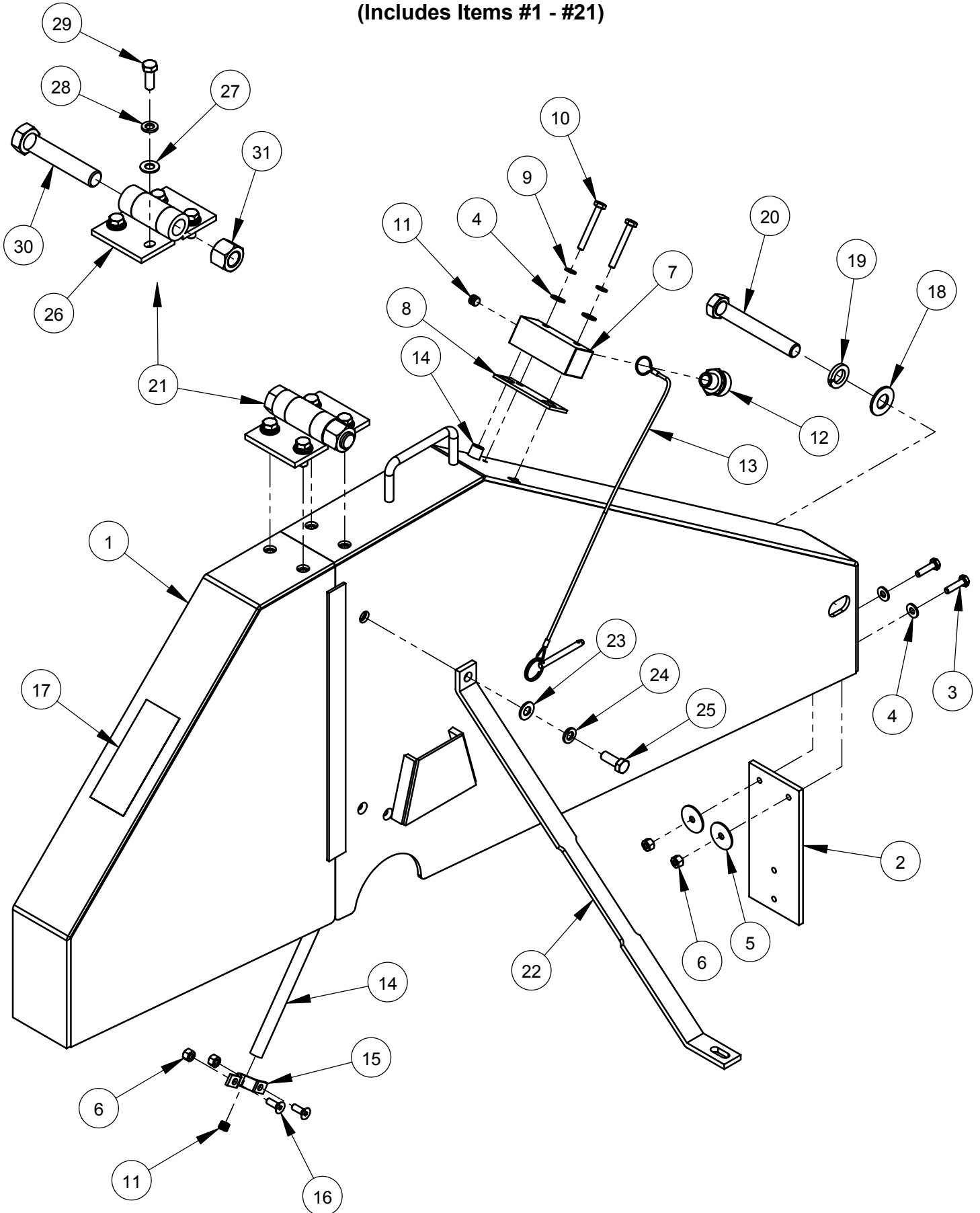


30" Blade Guard Assembly #6010606
(Includes Items #1 - #18)

ITEM	PART NO.	QTY.	DESCRIPTION
1	6010607	1	30" Blade Guard Front & Rear Only
2	6010081	1	Splash Flap
3	2900008	2	Cap Screw, Hex Hd., 1/4-20 x 1"
4	2900009	4	Flat Washer, 1/4" SAE
5	2900083	2	Fender Washer, 1/4" x 1-1/4"
6	2900010	6	Lock Nut, 1/4-20 Nylon
7	6010261	1	Water Manifold
8	2500830	1	Water Manifold Gasket
9	2900024	2	Lock Washer, 1/4" Split
10	2900294	2	Cap Screw, Hex Hd., 1/4-20 x 2"
11	3200001	3	Plug, 1/8" NPT
12	3200002	1	Fitting, 3/8" M. Pipe to 3/4" M. Garden
13	2900279	1	Lanyard with Lock Pin
14	6010087	2	Water Tube for 30" Guard
15	6048155	2	Water Tube Clamp
16	2900020	4	Cap Screw, Flat Hd., 1/4-20 x 3/4"
17	1800001	1	Warning Label
18	6010560	1	Blade Guard Hinge Assembly
19	6010511	1	Blade Guard Brace
20	2900014	1	Flat Washer, 3/8" SAE
21	2900006	1	Lock Washer, 3/8" Split
22	2900005	1	Cap Screw, Hex Hd., 3/8-16 x 1"

ITEM	PART NO.	QTY.	DESCRIPTION
23	6010549	1	Blade Guard Hinge
24	2900014	4	Flat Washer, 3/8" SAE
25	2900006	4	Lock Washer, 3/8" Split
26	2900005	4	Cap Screw, Hex Hd., 3/8-16 x 1"
27	2900479	1	Cap Screw, Hex Hd., 3/4-10 x 4"
28	2900467	1	Lock Nut, 3/4-10 Nylon

36" Blade Guard Assembly #6010608
(Includes Items #1 - #21)

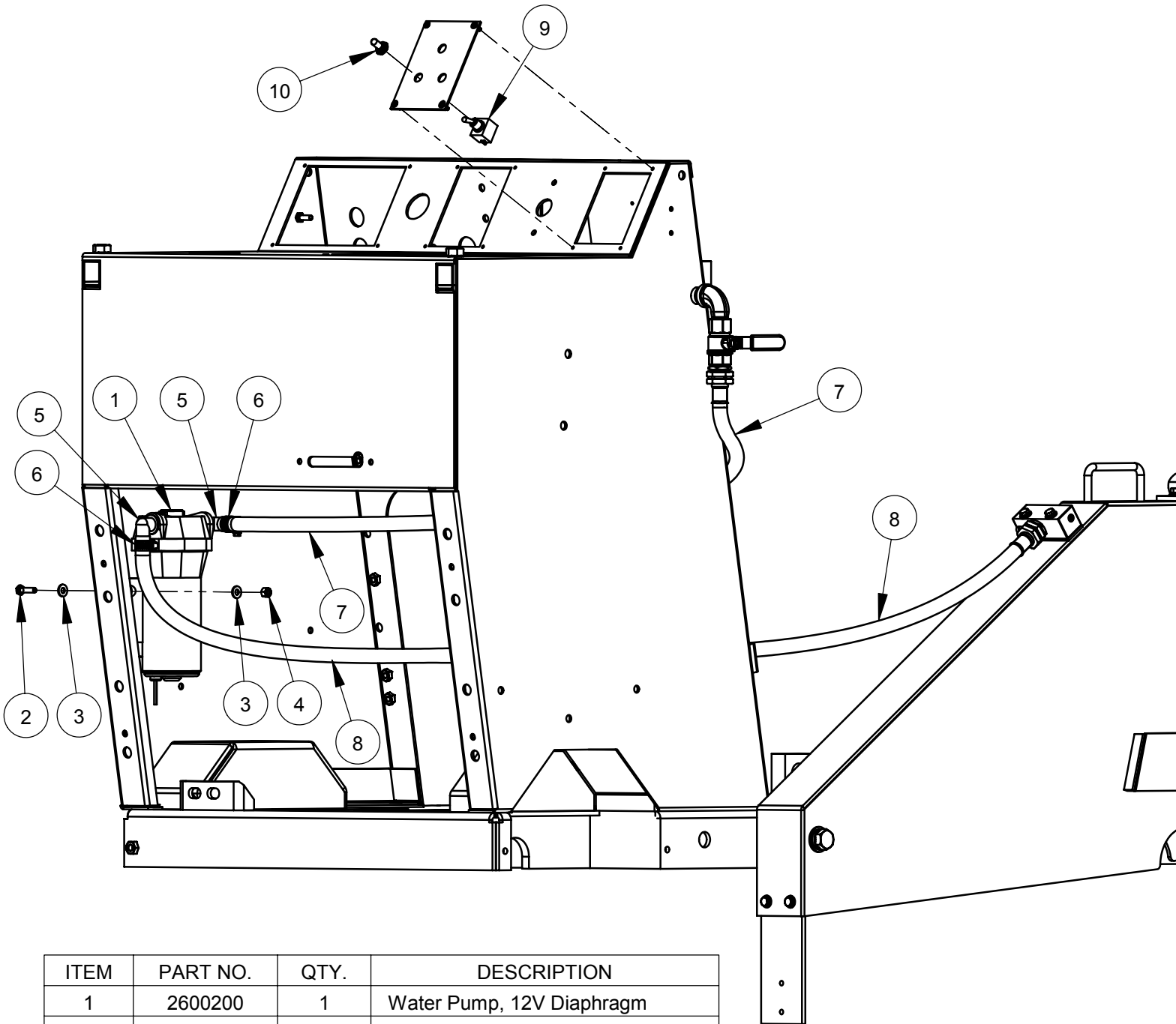


36" Blade Guard Assembly #6010608
(Includes Items #1 - #21)

ITEM	PART NO.	QTY.	DESCRIPTION
1	6010609	1	36" Blade Guard Front & Rear Only
2	6010081	1	Splash Flap
3	2900008	2	Cap Screw, Hex Hd., 1/4-20 x 1"
4	2900009	4	Flat Washer, 1/4" SAE
5	2900083	2	Fender Washer, 1/4" x 1-1/4"
6	2900010	6	Lock Nut, 1/4-20 Nylon
7	6010264	1	Water Manifold for 36" Guard
8	2500830	1	Water Manifold Gasket
9	2900024	2	Lock Washer, 1/4" Split
10	2900294	2	Cap Screw, Hex Hd., 1/4-20 x 2"
11	3200001	3	Plug, 1/8" NPT
12	3200002	1	Fitting, 3/8" M. Pipe to 3/4" M. Garden
13	2900280	1	Lanyard with Lock Pin
14	6010088	2	Water Tube for 36" Guard
15	6048155	2	Water Tube Clamp
16	2900020	4	Cap Screw, Flat Hd., 1/4-20 x 3/4"
17	1800001	1	Warning Label
18	2900002	1	Flat Washer, 5/8" SAE
19	2900113	1	Lock Washer, 5/8" Split
20	2900585	1	Cap Screw, Hex Hd., 5/8-11 x 4-1/2"
21	6010560	1	Blade Guard Hinge Assembly
22	6010511	1	Blade Guard Brace
23	2900014	1	Flat Washer, 3/8" SAE
24	2900006	1	Lock Washer, 3/8" Split
25	2900005	1	Cap Screw, Hex Hd., 3/8-16 x 1"

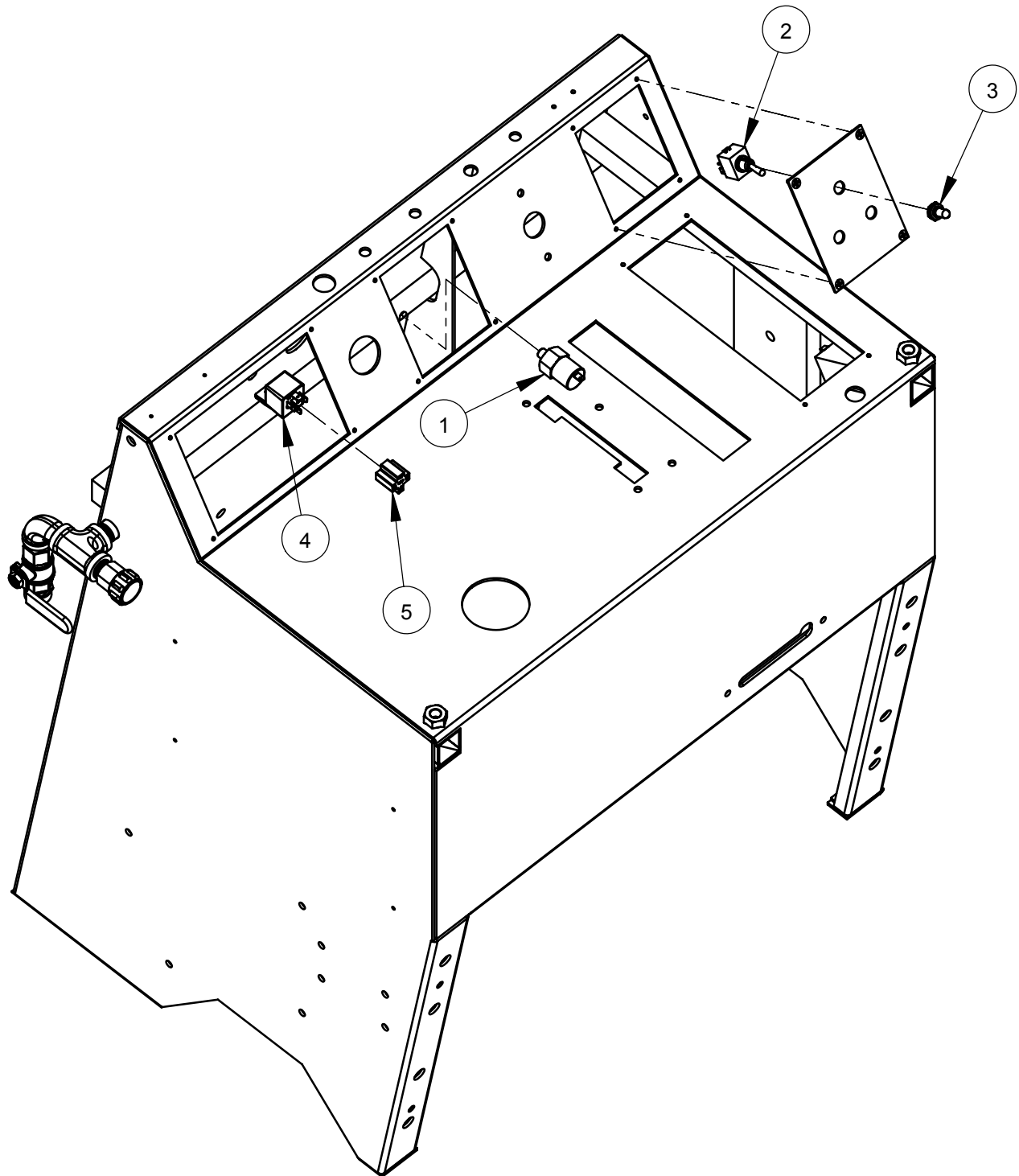
ITEM	PART NO.	QTY.	DESCRIPTION
26	6010549	1	Blade Guard Hinge
27	2900014	4	Flat Washer, 3/8" SAE
28	2900006	4	Lock Washer, 3/8" Split
29	2900005	4	Cap Screw, Hex Hd., 3/8-16 x 1"
30	2900479	1	Cap Screw, Hex Hd., 3/4-10 x 4"
31	2900467	1	Lock Nut, 3/4-10 Nylon

Optional Water Pump Assembly #6011032



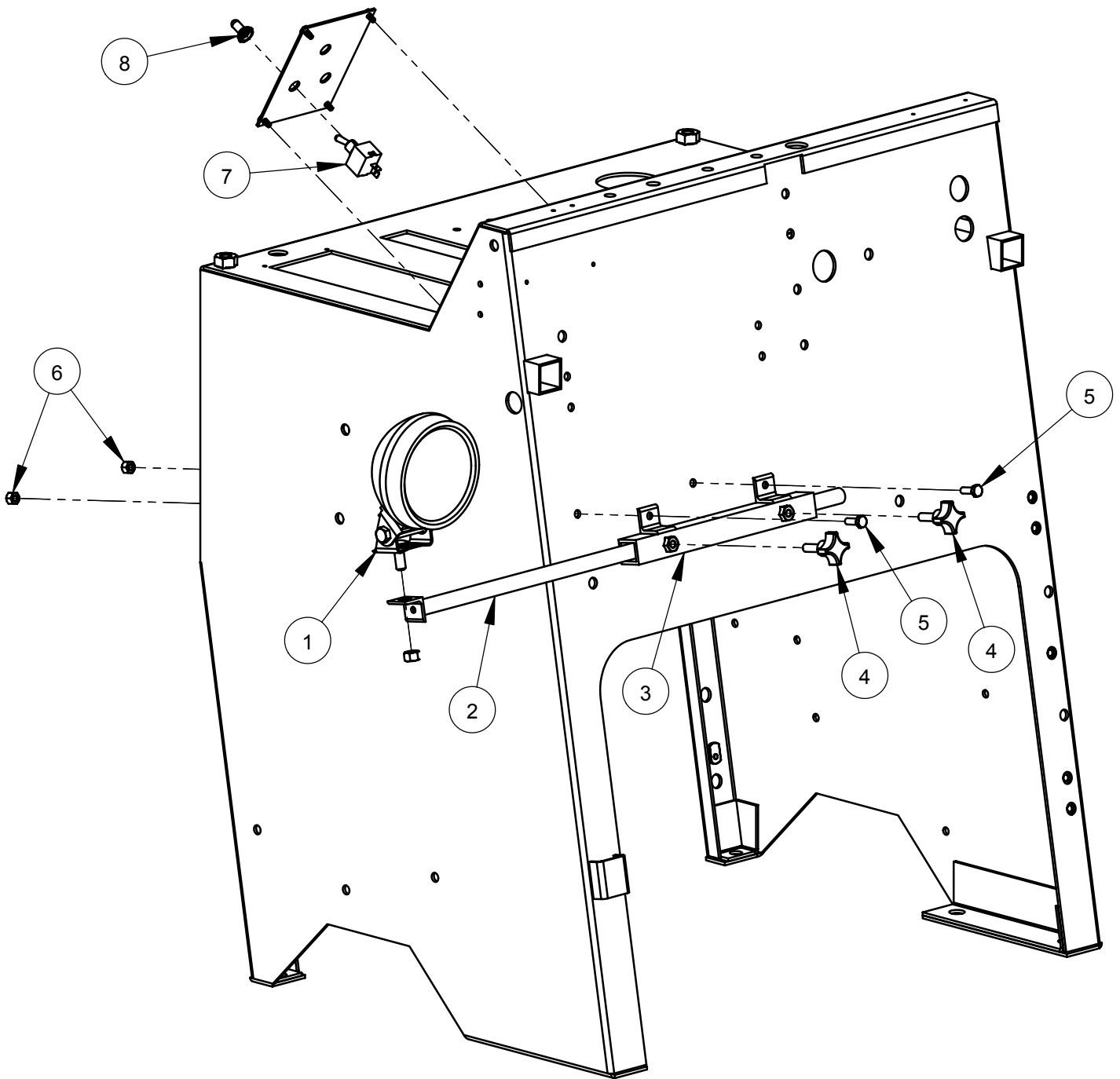
ITEM	PART NO.	QTY.	DESCRIPTION
1	2600200	1	Water Pump, 12V Diaphragm
2	2900008	4	Cap Screw, Hex Hd., 1/4-20 x 1"
3	2900009	8	Flat Washer, 1/4" SAE
4	2900010	4	Lock Nut, 1/4-20 Nylon
5	2701694	2	Port Fitting, 1/2" Barb x 90 Degree
6	3200016	2	Hose Clamp #8
7	6010302	1	Hose Assembly, 4 Foot
8	6010303	1	Hose Assembly, 5 Foot
9	2800062	1	Toggle Switch
10	2800063	1	Switch Boot

Optional Water Safety Switch Assembly #6010522



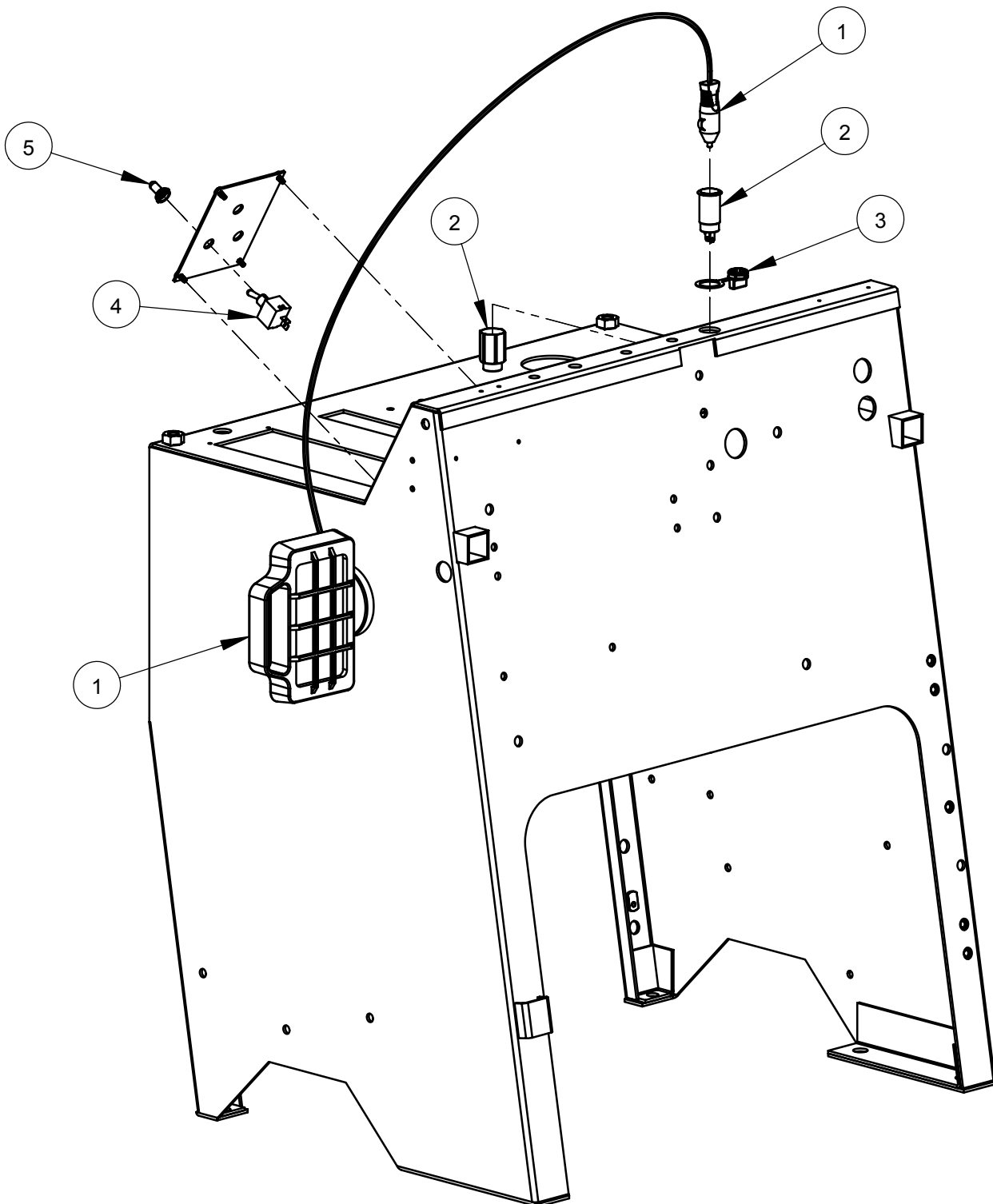
ITEM	PART NO.	QTY.	DESCRIPTION
1	2800060	1	Water Pressure Safety Switch
2	2800062	1	Toggle Switch
3	2800063	1	Switch Boot
4	2800144	1	Relay
5	2800263	1	Relay Connector

Optional Spot Light Assembly #6010112



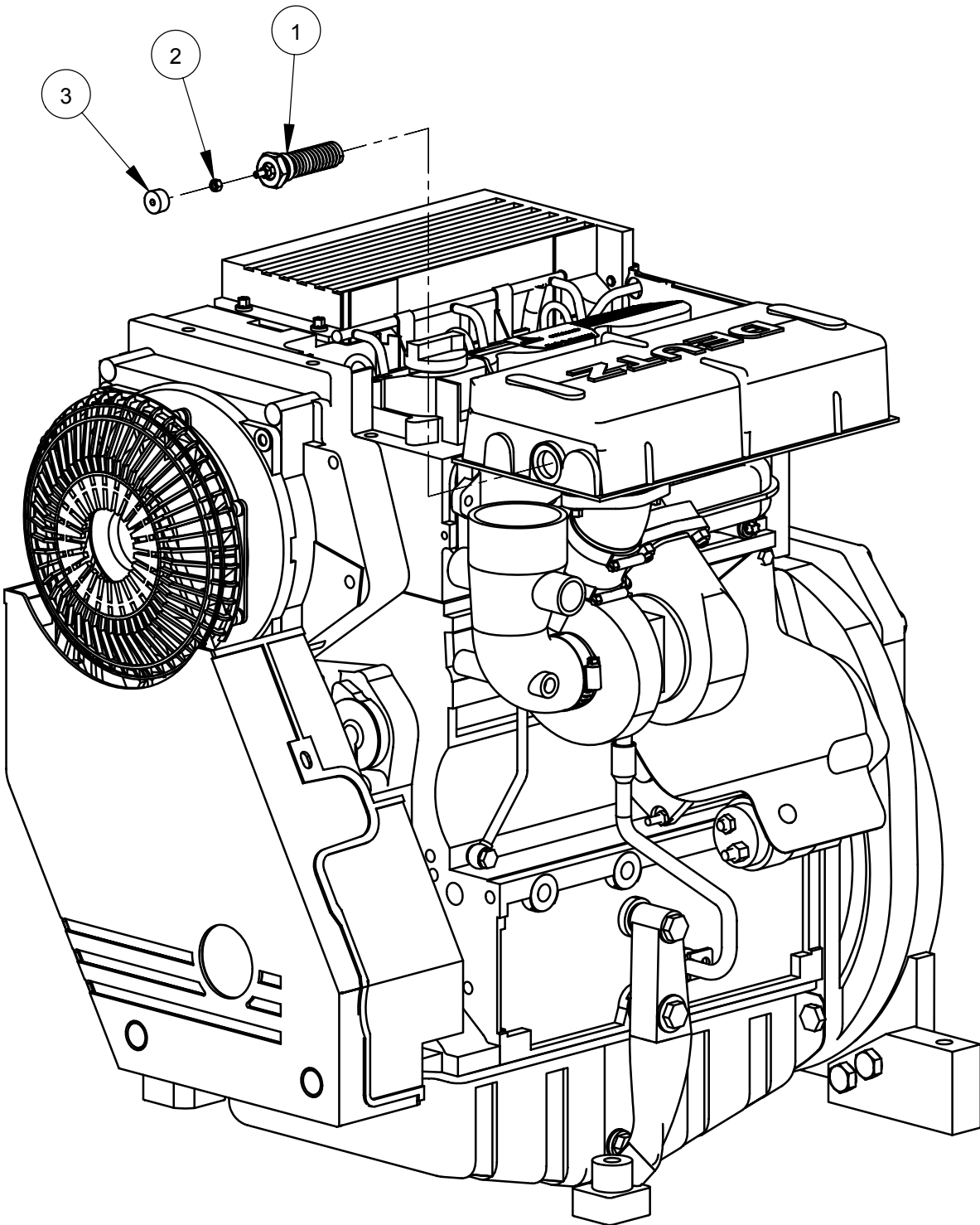
ITEM	PART NO.	QTY.	DESCRIPTION
1	2500194	1	Spot Light, 12 Volt
2	6010106	1	Light Bar
3	6010107	1	Light Bar Mount Bracket
4	2400157	2	Hand Lock Knob, 5/16-18 x 1"
5	2900144	2	Cap Screw, Hex Hd., 1/4-20 x 3/4"
6	2900010	2	Lock Nut, 1/4-20 Nylon
7	2800062	1	Toggle Switch
8	2800063	1	Switch Boot

Optional Magentic Spot Light Assembly #6011170



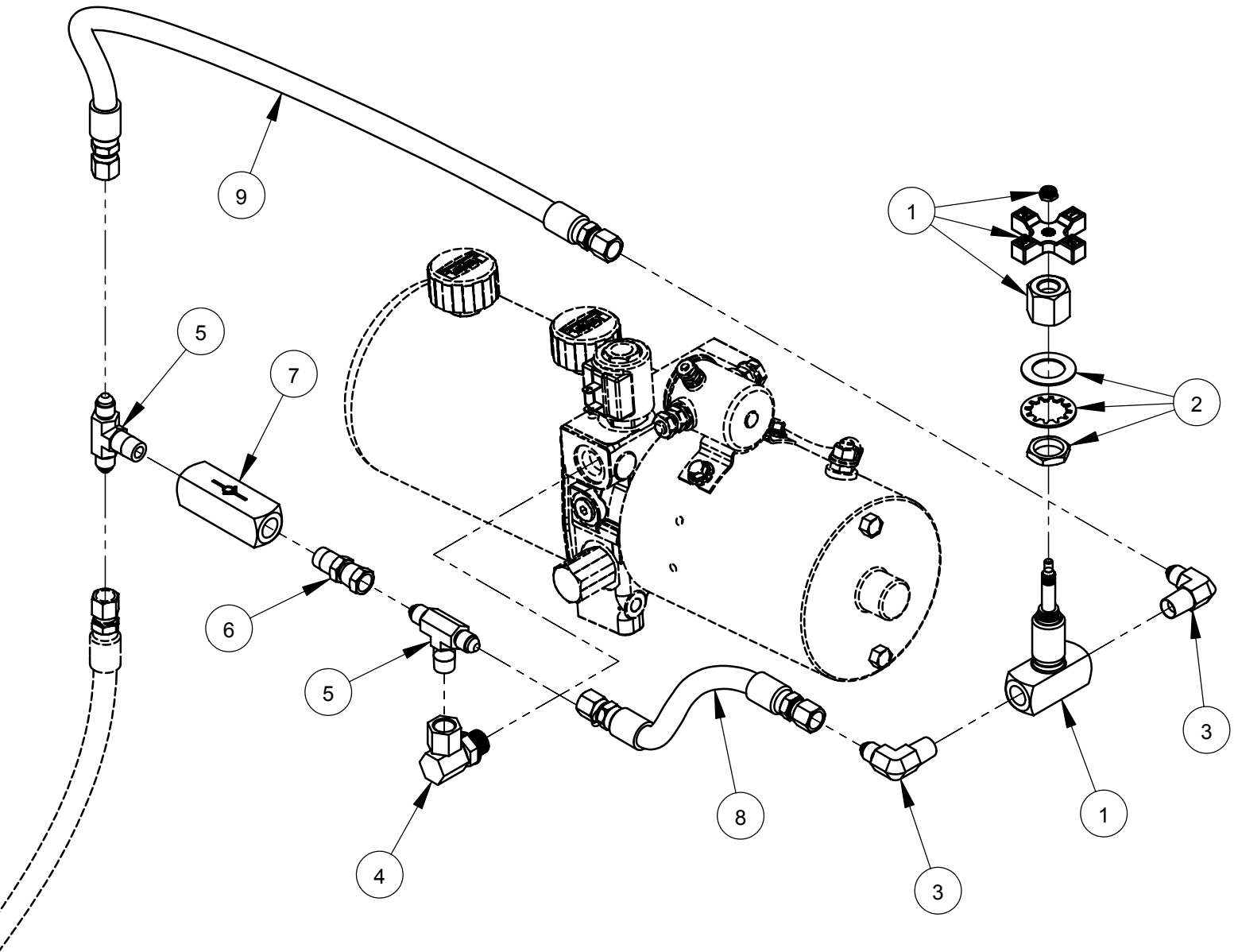
ITEM	PART NO.	QTY.	DESCRIPTION
1	2501087	1	Light, 12V Magnetic Base
2	2800374	1	Outlet, 12 Volt Power
3	2800375	1	Cap, 12 Volt Power Outlet
4	2800062	1	Toggle Switch
5	2800063	1	Switch Boot

Optional Glow Plug Assembly #6010596



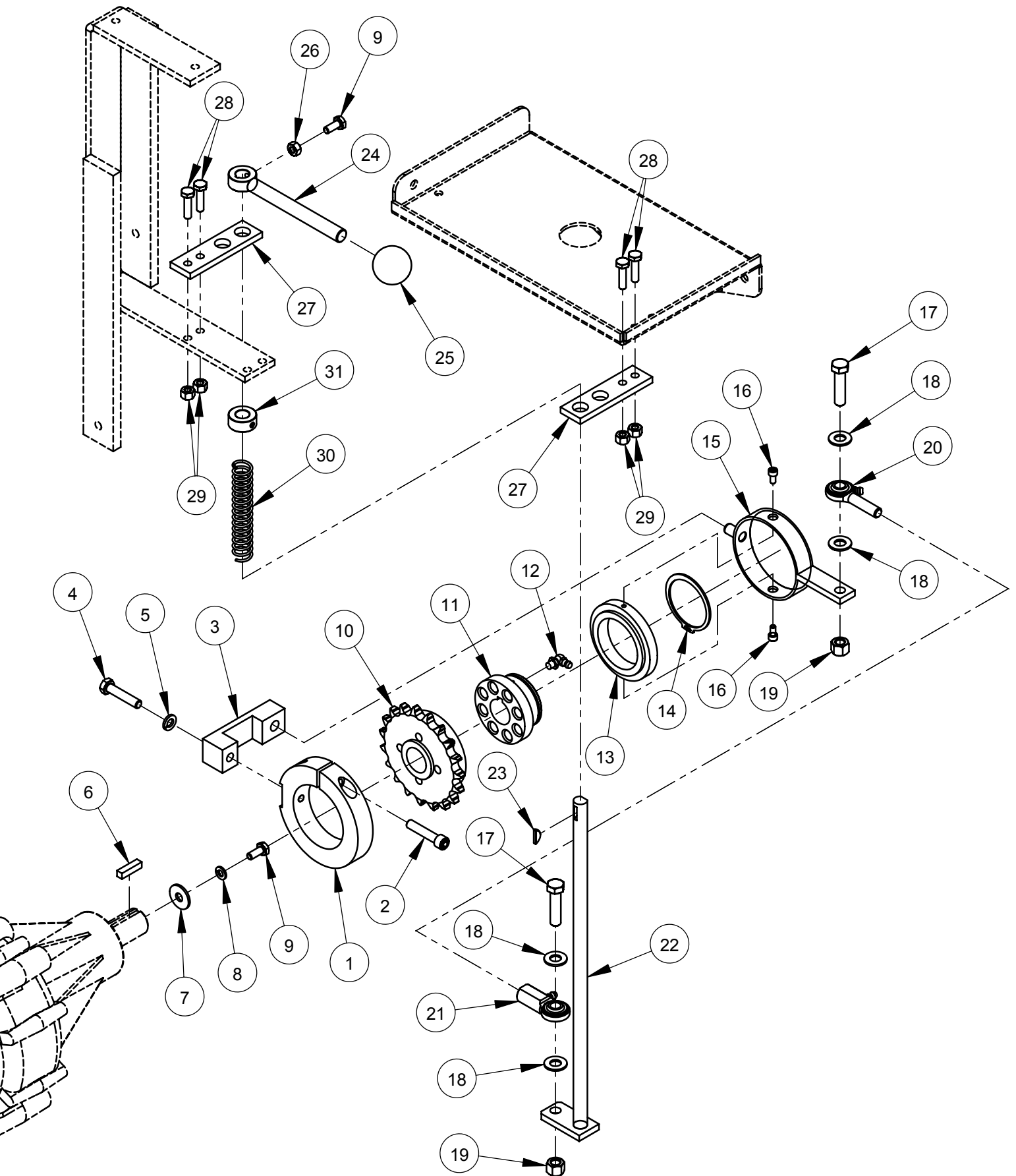
ITEM	PART NO.	QTY.	DESCRIPTION
1	2701698	1	Glow Plug
2	2900301	1	Lock Nut, M5 Nylon
3	2501792	1	Bumper, Recessed Rubber

Optional Lowering Speed Metering Valve Assembly #6010227



ITEM	PART NO.	QTY.	DESCRIPTION
1	3200211	1	Valve, 1/4" Metering
2	3200212	1	Panel Mounting Kit
3	3200057	2	Elbow, 1/4" M. Pipe to 1/4" M. JIC
4	3200115	1	Elbow, 3/8" O-Ring to 1/4" F. Pipe
5	3200213	2	Tee, 1/4" M. JIC to 1/4" M. Pipe
6	3200219	1	Adapter, 1/4" M. Pipe to 1/4" F. JIC
7	3200218	1	Check Valve
8	6010247	1	Hose Assembly, 8" Long
9	6010248	1	Hose Assembly, 20" Long

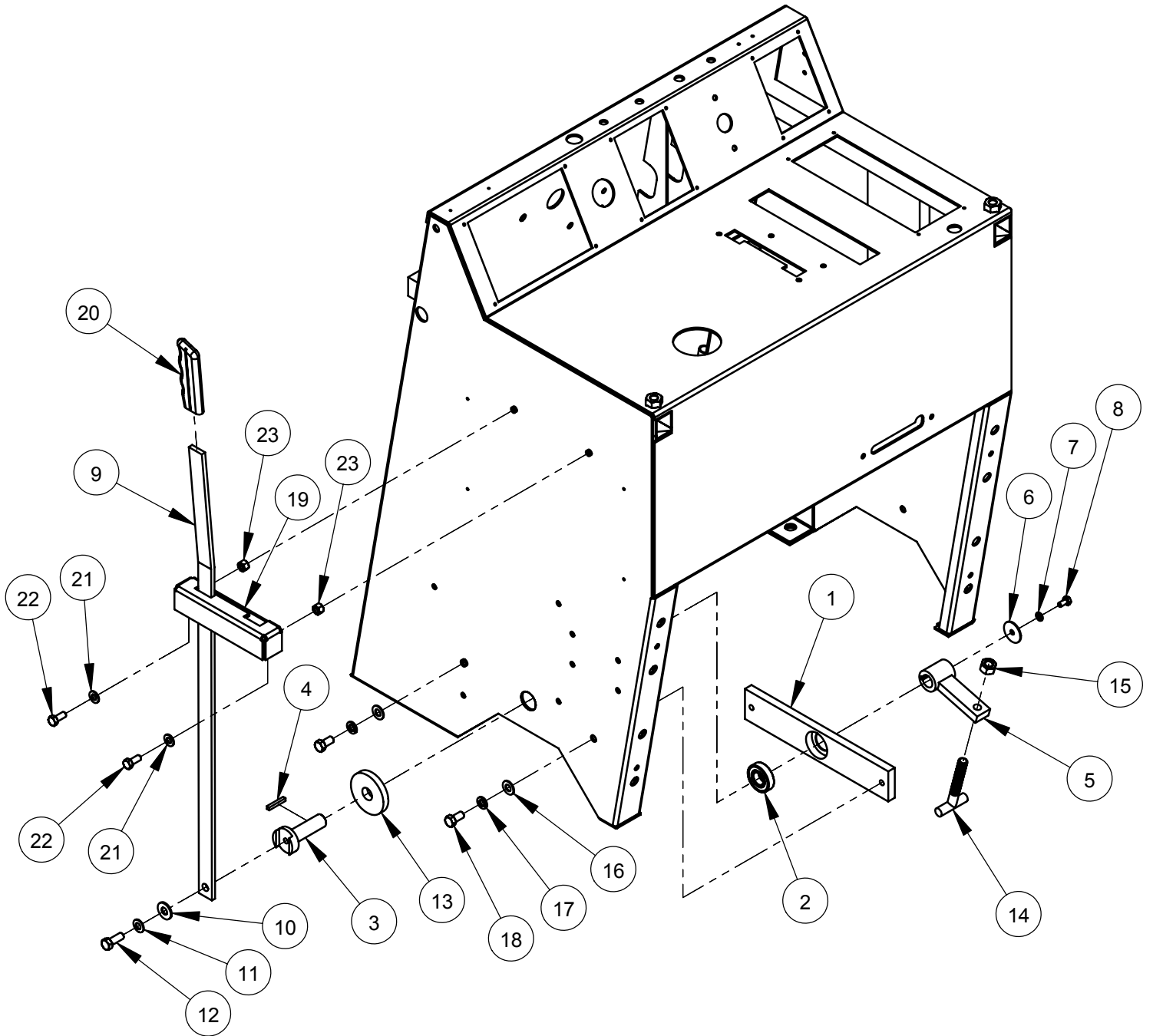
Optional Free Wheeling Clutch Assembly #6010179 (Sundstrand)



Optional Free Wheeling Clutch Assembly #6010179 (Sundstrand)

ITEM	PART NO.	QTY.	DESCRIPTION
1	6011043	1	Clutch Clamp
2	2900233	1	Cap Screw, Soc. Hd., 5/16-18 x 1-1/2"
3	6011044	1	Clutch Brace
4	2900508	1	Cap Screw, Hex Hd., 5/16-18 x 1-1/2"
5	2900031	1	Lock Washer, 5/16" Split
6	6011089	1	Key, 1/4" Sq. x 1" Long
7	2900383	1	Fender Washer, M8
8	2900024	1	Lock Washer, 1/4" Split
9	2900023	2	Cap Screw, Hex Hd., 1/4-20 x 5/8"
10	6012055	1	Clutch Sprocket Assembly, 19 Tooth
11	6011088	1	Clutch Hub
12	2900061	1	Grease Fitting, 1/4-28 x 90 Degree
13	6011041	1	Clutch Ring with Bearing
14	2500374	1	Retaining Ring, 2" External
15	6011042	1	Clutch Yoke
16	2900117	2	Cap Screw, Soc. Hd., #10-24 x 3/8"
17	2900029	2	Cap Screw, Hex Hd., 3/8-16 x 1-1/2"
18	2900014	4	Flat Washer, 3/8" SAE
19	2900018	2	Lock Nut, 3/8-16 Nylon
20	2500886	1	Rod End, 3/8-24 Male
21	2500152	1	Rod End, 3/8-24 Female
22	6011050	1	Engagement Lever
23	2900063	1	Woodruff Key #405, 1/8" x 5/8"
24	6011051	1	Engagement Handle
25	2400007	1	Knob, 1/2-20 x 1-3/8" Dia.
26	2900125	1	Hex Nut, 1/4-20
27	6011099	2	Lever Guide
28	2900008	4	Cap Screw, Hex Hd., 1/4-20 x 1"
29	2900010	4	Lock Nut, 1/4-20 Nylon
30	2500375	1	Compression Spring
31	2500007	1	Set Collar, 1/2" with Set Screw

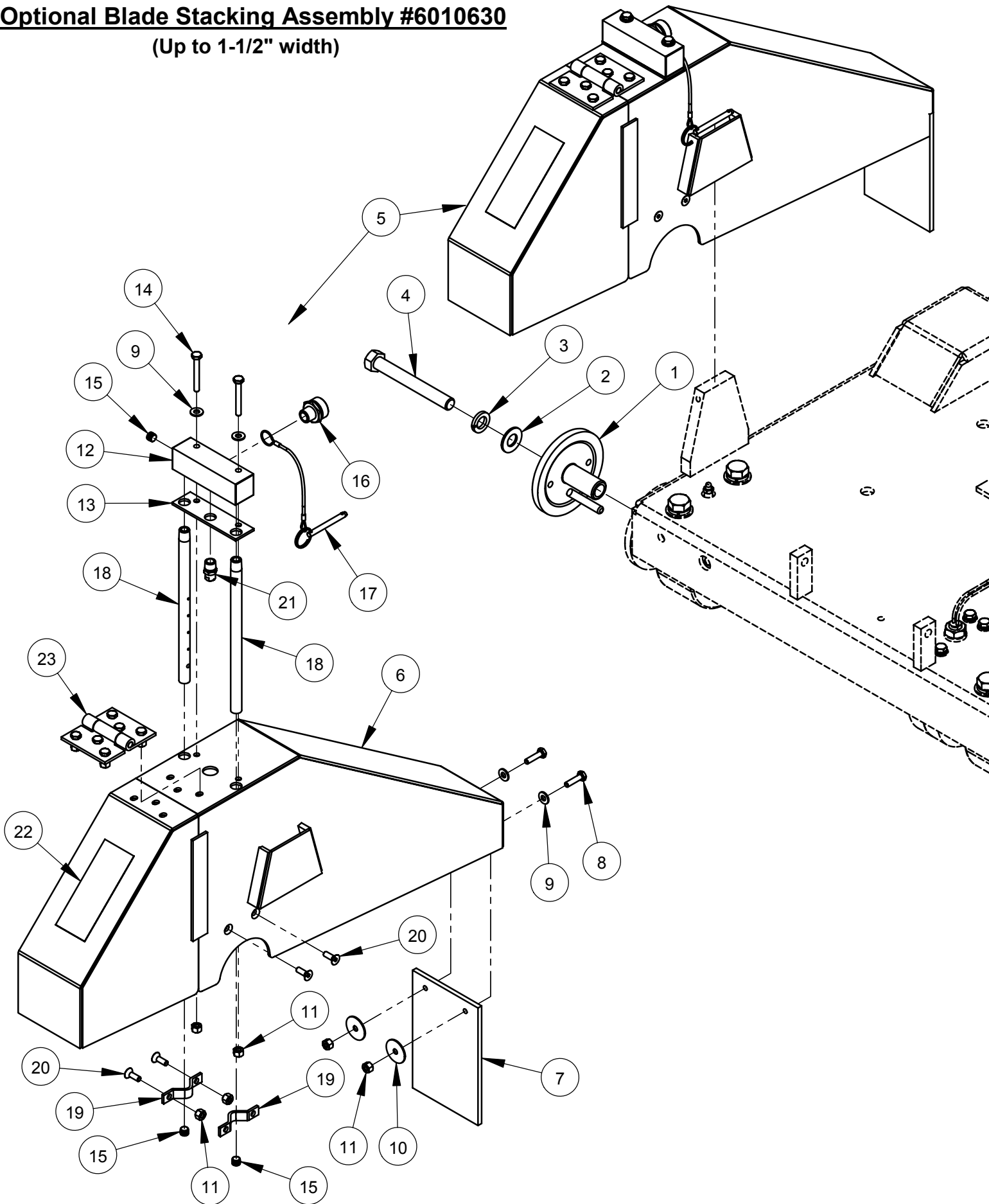
Optional Parking Brake Assembly #6011228



Optional Parking Brake Assembly #6011228

ITEM	PART NO.	QTY.	DESCRIPTION
1	6011229	1	Bearing Housing Bar
2	2501664	1	Ball Bearing, 3/4" x 1-5/8" x 7/16"
3	6011230	1	Pivot Pin
4	6048229	1	Key, 3/16" Sq. x 1-1/4"
5	6011231	1	Pivot Arm
6	2900083	1	Fender Washer, 1/4" x 1-1/4"
7	2900024	1	Lock Washer, 1/4" Split
8	2900082	1	Cap Screw, Hex Hd., 1/4-20 x 1/2"
9	6011232	1	Brake Lever
10	2900473	1	Flat Washer, 3/8" USS
11	2900474	1	Belleville Washer, 3/8"
12	2900005	1	Cap Screw, Hex Hd., 3/8-16 x 1"
13	6011234	1	Friction Washer, 3/4" x 2-1/2" x 3/8"
14	2900632	1	T-Bolt, 1/2-13
15	2900037	1	Hex Nut, 1/2-13
16	2900014	2	Flat Washer, 3/8" SAE
17	2900006	2	Lock Washer, 3/8" Split
18	2900196	2	Cap Screw, Hex Hd., 3/8-16 x 3/4"
19	6011233	1	Lever Gate
20	2500002	1	Lever Grip
21	2900022	2	Flat Washer, 5/16" SAE
22	2900019	2	Cap Screw, Hex Hd., 5/16-18 x 3/4"
23	2900039	2	Lock Nut, 5/16-18 Nylon

Optional Blade Stacking Assembly #6010630
(Up to 1-1/2" width)

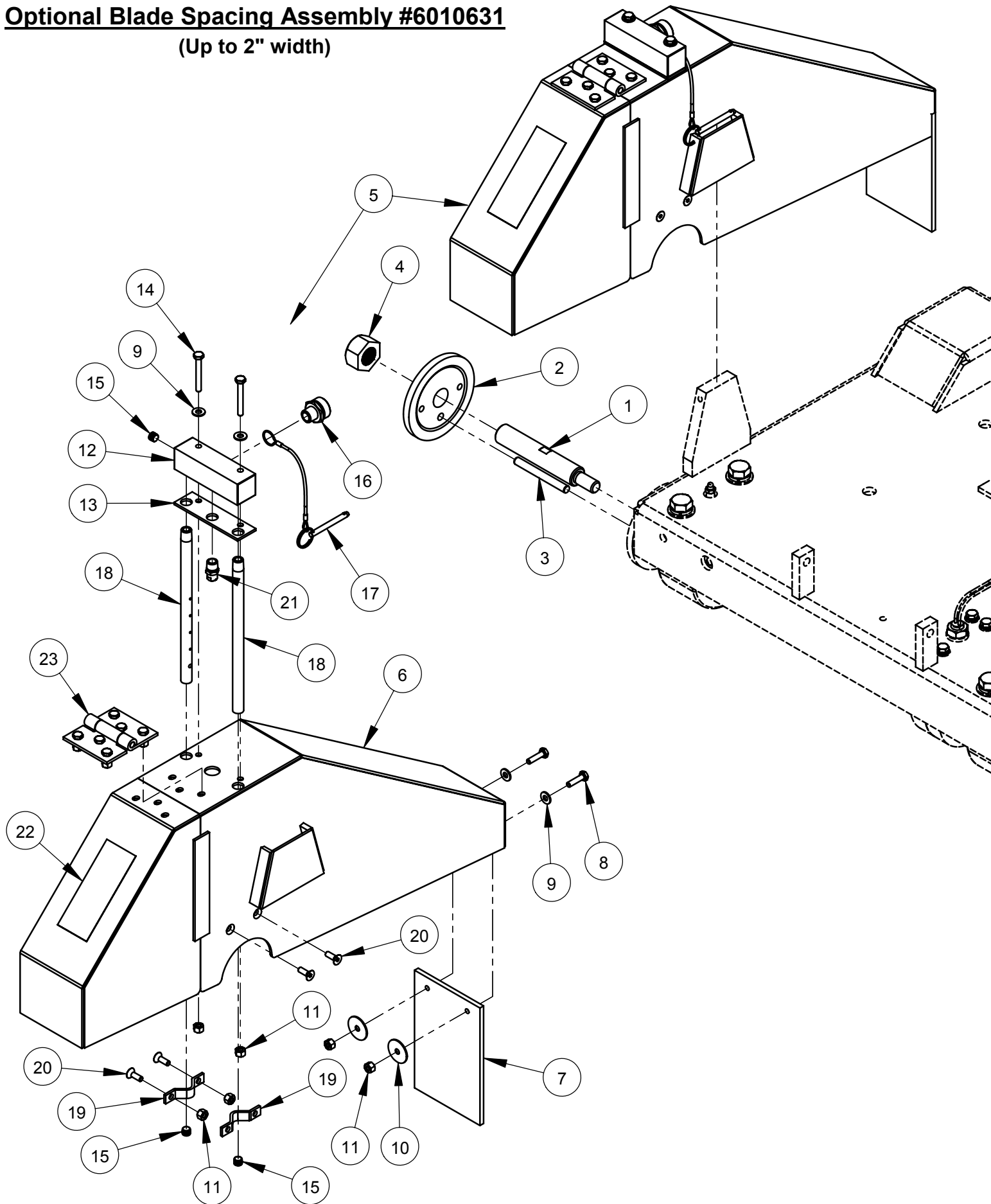


Optional Blade Stacking Assembly #6010630
(Up to 1-1/2" width)

ITEM	PART NO.	QTY.	DESCRIPTION
1	6010159	1	Outer Flange 4-1/2" with Pin
2	2900002	1	Flat Washer, 5/8" SAE
3	2900113	1	Lock Washer, 5/8" Split
4	2900210	1	Cap Screw, Hex Hd., 5/8"-11 x 5" LH
5	6010620	1	20" Wide Blade Guard Assembly

ITEM	PART NO.	QTY.	DESCRIPTION
6	6010621	1	20" Wide Blade Guard Front & Rear Only
7	6010296	1	Splash Flap
8	2900008	2	Cap Screw, Hex Hd., 1/4-20 x 1"
9	2900009	4	Flat Washer, 1/4" SAE
10	2900083	2	Fender Washer, 1/4" x 1-1/4"
11	2900010	8	Lock Nut, 1/4-20 Nylon
12	6010288	1	Water Manifold
13	2500988	1	Water Manifold Gasket
14	2900294	2	Cap Screw, Hex Hd., 1/4-20 x 2"
15	3200001	3	Plug, 1/8" NPT
16	3200002	1	Fitting, 3/8" M. Pipe to 3/4" M. Garden
17	2900278	1	Lanyard with Lock Pin
18	6010085	2	Water Tube for 20" Guard
19	6048155	2	Water Tube Clamp
20	2900020	4	Cap Screw, Flat Hd., 1/4-20 x 3/4"
21	3200208	1	Nozzle, 1/4" NPT
22	1800001	1	Warning Label
23	6010251	1	Hinge Assembly for 20" Guard

Optional Blade Spacing Assembly #6010631
(Up to 2" width)

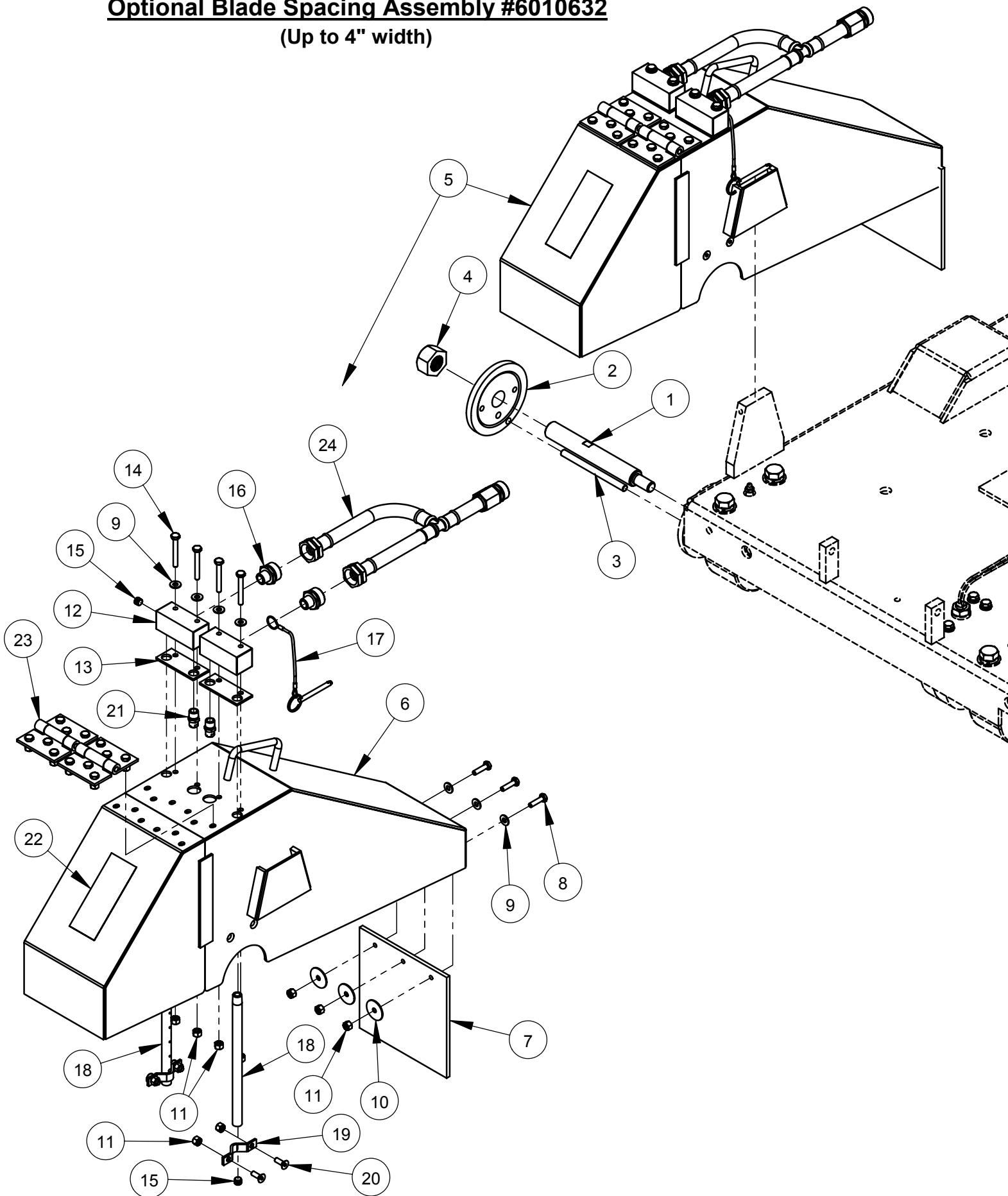


Optional Blade Spacing Assembly #6010631
(Up to 2" width)

ITEM	PART NO.	QTY.	DESCRIPTION
1	6010186	1	Blade Shaft Extension, Left Hand Thread
2	6010187	1	Outer Flange 4-1/2"
3	2900218	1	Dowel Pin, 3/8" Dia. x 3-1/2"
4	2900212	1	Hex Nut, 1"-14 Left Hand
5	6010620	1	20" Wide Blade Guard Assembly

ITEM	PART NO.	QTY.	DESCRIPTION
6	6010621	1	20" Wide Blade Guard Front & Rear Only
7	6010296	1	Splash Flap
8	2900008	2	Cap Screw, Hex Hd., 1/4-20 x 1"
9	2900009	4	Flat Washer, 1/4" SAE
10	2900083	2	Fender Washer, 1/4" x 1-1/4"
11	2900010	8	Lock Nut, 1/4-20 Nylon
12	6010288	1	Water Manifold
13	2500988	1	Water Manifold Gasket
14	2900294	2	Cap Screw, Hex Hd., 1/4-20 x 2"
15	3200001	3	Plug, 1/8" NPT
16	3200002	1	Fitting, 3/8" M. Pipe to 3/4" M. Garden
17	2900278	1	Lanyard with Lock Pin
18	6010085	2	Water Tube for 20" Guard
19	6048155	2	Water Tube Clamp
20	2900020	4	Cap Screw, Flat Hd., 1/4-20 x 3/4"
21	3200208	1	Nozzle, 1/4" NPT
22	1800001	1	Warning Label
23	6010251	1	Hinge Assembly for 20" Guard

Optional Blade Spacing Assembly #6010632
(Up to 4" width)



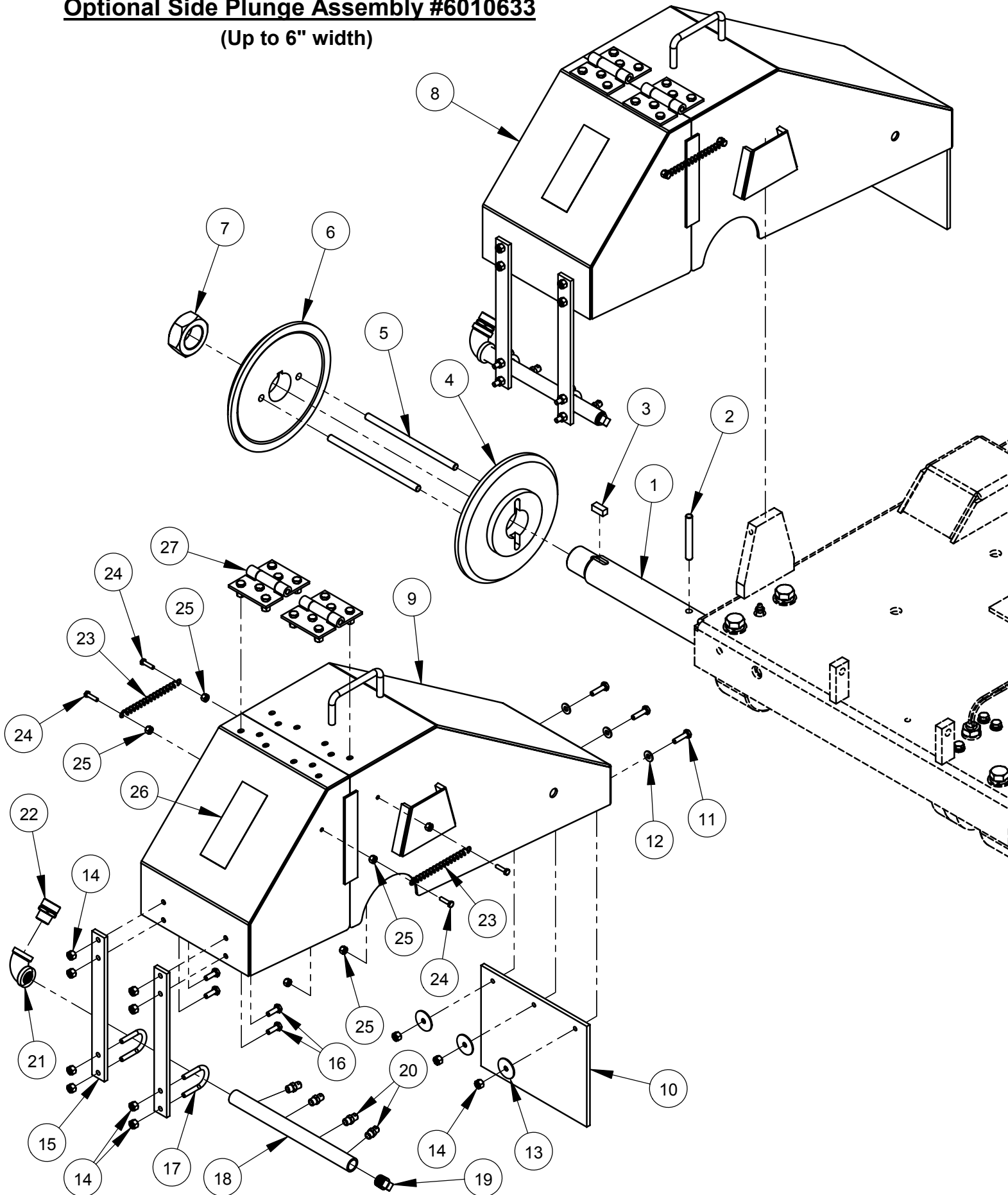
Optional Blade Spacing Assembly #6010632
(Up to 4" width)

ITEM	PART NO.	QTY.	DESCRIPTION
1	6010309	1	Blade Shaft Extension, Left Hand Thread
2	6010187	1	Outer Flange 4-1/2"
3	6010359	1	Drive Pin, 3/8" Dia. x 5"
4	2900212	1	Hex Nut, 1"-14 Left Hand
5	6010622	1	20" Wide Blade Guard Assembly

ITEM	PART NO.	QTY.	DESCRIPTION
6	6010623	1	20" Wide Blade Guard Front & Rear Only
7	6010366	1	Splash Flap
8	2900008	3	Cap Screw, Hex Hd., 1/4-20 x 1"
9	2900009	7	Flat Washer, 1/4" SAE
10	2900083	3	Fender Washer, 1/4" x 1-1/4"
11	2900010	11	Lock Nut, 1/4-20 Nylon
12	6048123	2	Water Manifold
13	2500829	2	Water Manifold Gasket
14	2900294	4	Cap Screw, Hex Hd., 1/4-20 x 2"
15	3200001	4	Plug, 1/8" NPT
16	3200002	2	Fitting, 3/8" M. Pipe to 3/4" M. Garden
17	2900278	1	Lanyard with Lock Pin
18	6010085	2	Water Tube for 20" Guard
19	6048155	2	Water Tube Clamp
20	2900020	4	Cap Screw, Flat Hd., 1/4-20 x 3/4"
21	3200208	2	Nozzle, 1/4" NPT
22	1800001	1	Warning Label
23	6010251	2	Hinge Assembly for 20" Guard
24	6010588	1	Hose Assembly, Dual Inlet

Optional Side Plunge Assembly #6010633

(Up to 6" width)



Optional Side Plunge Assembly #6010633
(Up to 6" width)

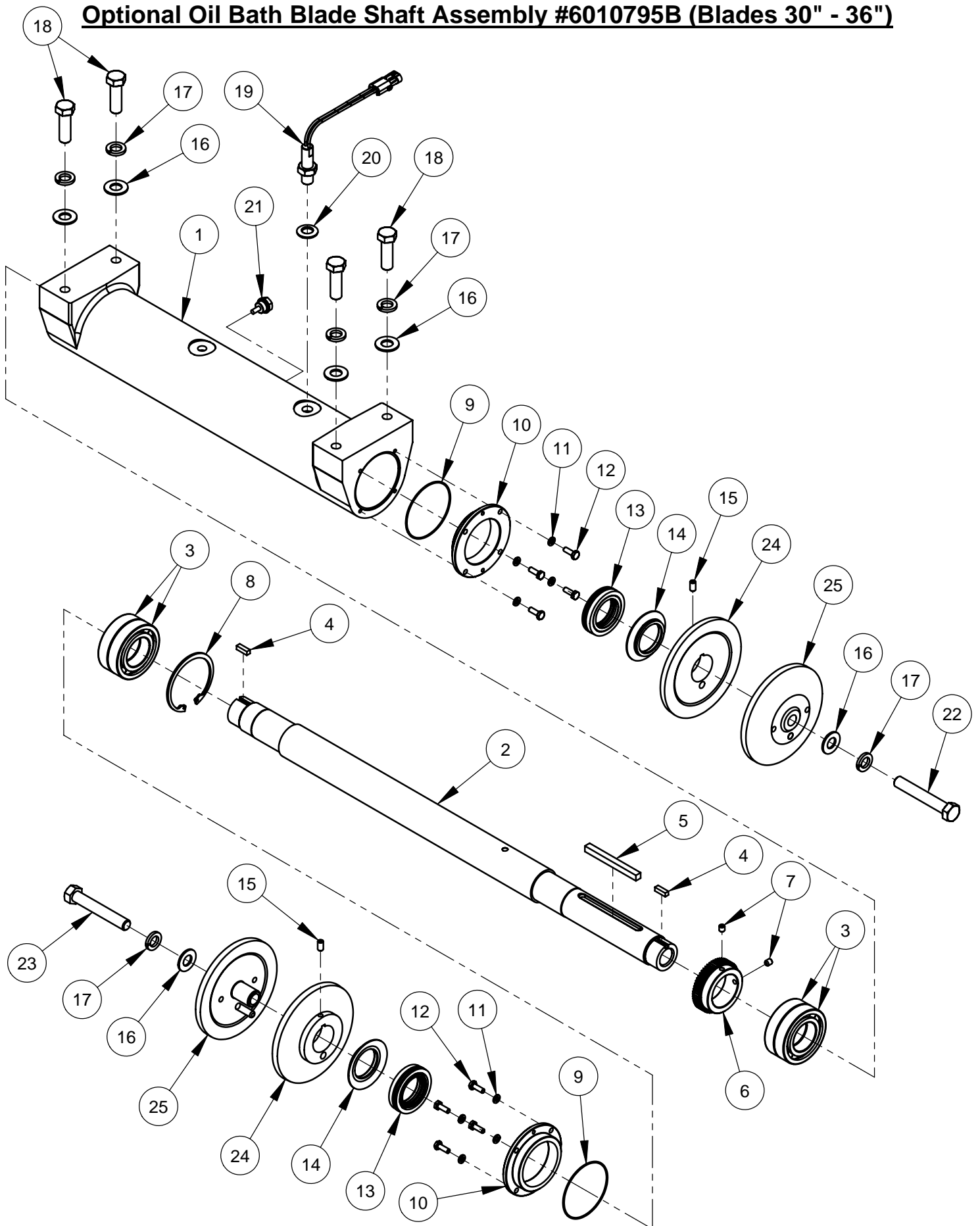
ITEM	PART NO.	QTY.	DESCRIPTION
1	6010587	1	Blade Shaft
2	2900203	1	Dowel Pin, 3/8" Dia. x 3"
3	6010138	1	Key, 3/8" Sq. x 7/8"
4	6010136	1	Inner Flange 8"
5	6010139	2	Drive Pin, 3/8" Dia. x 7-1/8"
6	6010137	1	Outer Flange 8"
7	6048346	1	Jam Nut, 1-1/2-12 Left Hand
8	6010624	1	20" Plunge Guard Assembly

ITEM	PART NO.	QTY.	DESCRIPTION
9	6010625	1	20" Plunge Guard Front & Rear Only
10	6010219	1	Splash Flap
11	2900008	3	Cap Screw, Hex Hd., 1/4-20 x 1"
12	2900009	3	Flat Washer, 1/4" SAE
13	2900083	3	Fender Washer, 1/4" x 1-1/4"
14	2900010	11	Lock Nut, 1/4-20 Nylon
15	6010190	2	Manifold Bar
16	2900144	4	Cap Screw, Hex Hd., 1/4-20 x 3/4"
17	2900241	2	U-Bolt, 1/2" Pipe
18	6010365	1	Water Manifold
19	3200153	1	Pipe Plug, 3/8" NPT
20	3200050	4	Nozzle, 1/8" NPT
21	3200209	1	Pipe Elbow, 1/2" Female
22	3200155	1	Fitting, 1/2" M. Pipe to 3/4" M. Garden
23	2500067	2	Spring, 3/8" x 4"
24	2900015	4	Machine Screw, Hex Hd., #10-24 x 3/4"
25	2900017	8	Lock Nut, #10-24 Nylon
26	1800001	1	Warning Label
27	6010251	2	Hinge Assembly for 20" Guard

Optional Oil Bath Blade Shaft Assembly #6010795A (Blades 14" - 26")

ITEM	PART NO.	QTY.	DESCRIPTION
1	6010796	1	Blade Shaft Housing
2	6010797	1	Blade Shaft
3	2502197	4	Ball Bearing, 45mm x 85mm x 19mm
4	6010040	2	Key, 1/4" Sq. x 13/16"
5	4645006	1	Key, 3/8" Sq. x 4"
6	6010798	1	Shaft Tach Gear, 60 Tooth
7	2900142	2	Set Screw, Soc. Hd., 5/16-18 x 3/8"
8	2502199	1	Retaining Ring, 85mm Internal
9	2703093	2	O-Ring #042
10	6010799	2	Isolater Seal Housing
11	2900024	8	Lock Washer, 1/4" Split
12	2900144	8	Cap Screw, Hex Hd., 1/4-20 x 3/4"
13	2502044	2	Bearing Isolator Seal
14	2502198	2	Excluder Seal, 1-3/4"
15	2900418	2	Set Screw, Soc. Hd., 5/16-18 x 5/8"
16	2900002	6	Flat Washer, 5/8" SAE
17	2900113	6	Lock Washer, 5/8" Split
18	2900136	4	Cap Screw, Hex Hd., 5/8-11 x 2"
19	2800169	1	Magnetic Sensor w/Jam Nut
20	2900805	1	Sealing Washer, 5/8"
21	2502037	1	Magnetic Oil Drain Plug
22	2900146	1	Cap Screw, Hex Hd., 5/8-11 x 4"
23	2900130	1	Cap Screw, Hex Hd., 5/8-11 x 4" LH
24	6010036	2	Inner Flange 4-1/2"
25	6010037	2	Outer Flange 4-1/2" with Pin
	2900197	1	Dowel Pin, 3/8" Dia. x 2"

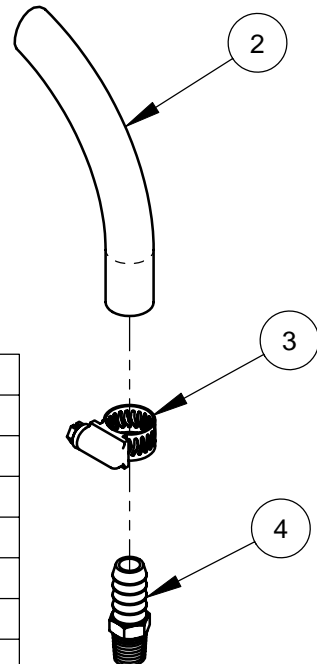
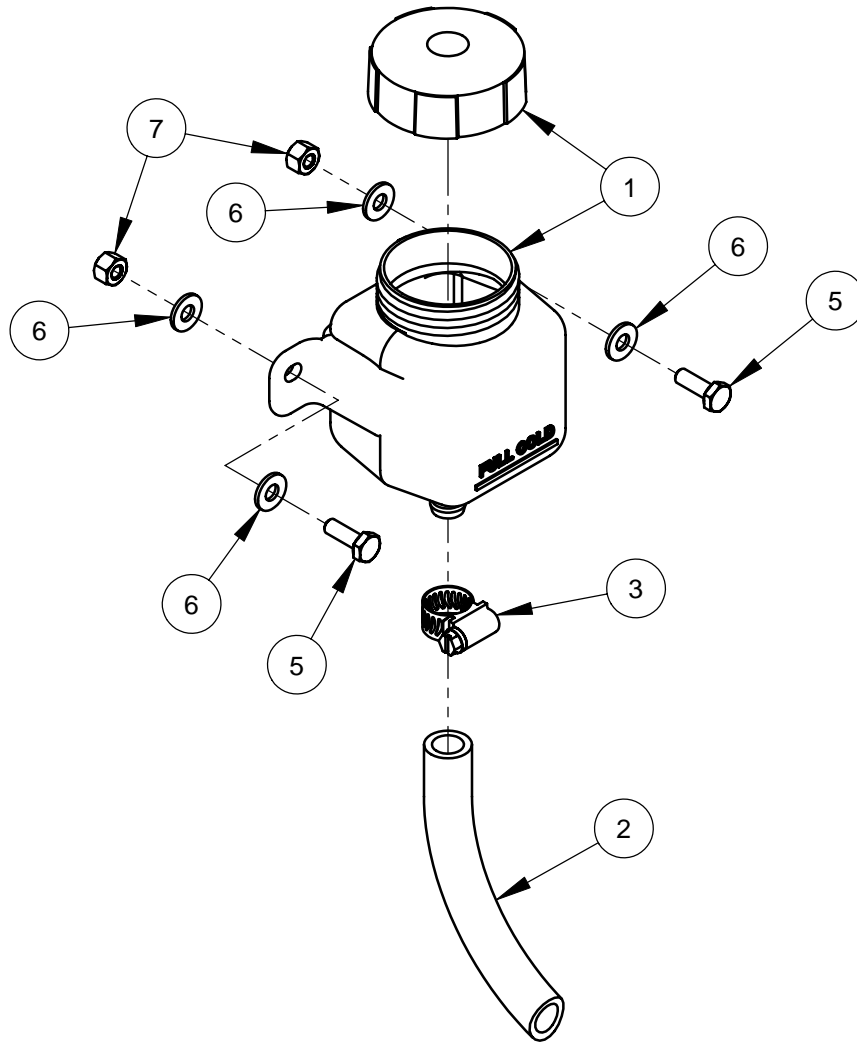
Optional Oil Bath Blade Shaft Assembly #6010795B (Blades 30" - 36")



Optional Oil Bath Blade Shaft Assembly #6010795B (Blades 30" - 36")

ITEM	PART NO.	QTY.	DESCRIPTION
1	6010796	1	Blade Shaft Housing
2	6010797	1	Blade Shaft
3	2502197	4	Ball Bearing, 45mm x 85mm x 19mm
4	6010040	2	Key, 1/4" Sq. x 13/16"
5	4645006	1	Key, 3/8" Sq. x 4"
6	6010798	1	Shaft Tach Gear, 60 Tooth
7	2900142	2	Set Screw, Soc. Hd., 5/16-18 x 3/8"
8	2502199	1	Retaining Ring, 85mm Internal
9	2703093	2	O-Ring #042
10	6010799	2	Isolater Seal Housing
11	2900024	8	Lock Washer, 1/4" Split
12	2900144	8	Cap Screw, Hex Hd., 1/4-20 x 3/4"
13	2502044	2	Bearing Isolator Seal
14	2502198	2	Excluder Seal, 1-3/4"
15	2900418	2	Set Screw, Soc. Hd., 5/16-18 x 5/8"
16	2900002	6	Flat Washer, 5/8" SAE
17	2900113	6	Lock Washer, 5/8" Split
18	2900136	4	Cap Screw, Hex Hd., 5/8-11 x 2"
19	2800169	1	Magnetic Sensor w/Jam Nut
20	2900805	1	Sealing Washer, 5/8"
21	2502037	1	Magnetic Oil Drain Plug
22	2900146	1	Cap Screw, Hex Hd., 5/8-11 x 4"
23	2900130	1	Cap Screw, Hex Hd., 5/8-11 x 4" LH
24	6010038	2	Inner Flange 6"
25	6010039	2	Outer Flange 6" with Pin
	2900197	1	Dowel Pin, 3/8" Dia. x 2"

Optional Oil Expansion Tank Assembly #6010793

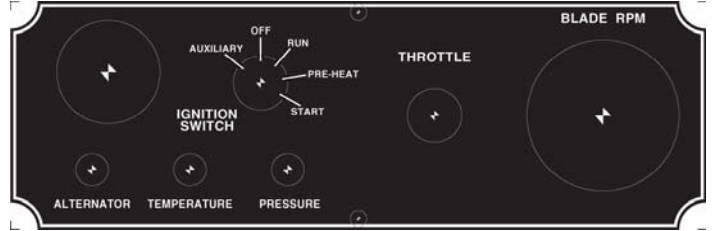


ITEM	PART NO.	QTY.	DESCRIPTION
1	2502039	1	Expansion Tank & Cap
2	6010794	1	Hose, 1/2" ID x 60"
3	3200016	2	Hose Clamp #8
4	3200463	1	Fitting, 1/4" M. Pipe to 1/2" Hose Barb
5	2900144	2	Cap Screw, Hex Hd., 1/4-20 x 3/4"
6	2900009	4	Flat Washer, 1/4" SAE
7	2900010	2	Lock Nut, 1/4-20 Nylon

Decal Group



CORE CUT DECAL
#1800787 (Qty. 3)



INSTRUMENT PANEL DECAL
#1800348

DIAMOND PRODUCTS CORE CUT

333 PROSPECT STREET
ELYRIA, OHIO 44028 USA
PHONE 1-800-321-5396
www.diamondproducts.com

CC6560XLS RPM CHART

GUARD SIZE	BLADE SIZE	RECOMMENDED BLADE RPM	BLADESHAFT SHEAVE	ENGINE RPM	BELT SIZE	FLANGE SIZE	DEPTH OF CUT
14"	14"	3,000	4"	3,000			4-1/2"
20"	18"	2,675	4-1/2"	3,000	3VX530	4-1/2"	5-1/2"
	20"	2,500		6-1/2"			
	22"	2,300		8-1/2"			
	24"	2,100		10-1/2"			
26"	26"	2,100	6"	3,000	3VX560	6"	10-3/4"
	28"	2,000		11-3/4"			
	30"	1,800		12-3/4"			
	32"	1,700		13-3/4"			
36"	36"	1,500		2,500			14-3/4"
	38"	1,500		2,500			

WARNING! NEVER EXCEED THE MAXIMUM RPM STAMPED ON BLADE!
EXCESSIVE SPEED CAN CAUSE BLADE BREAKAGE RESULTING IN SERIOUS PERSONAL INJURY OR DEATH.

WARNING

- Always check the bladeshaft RPM before connecting blade.
- Only use blades with a rated speed higher than the bladeshaft speed. Never exceed the maximum RPM stamped on blade. Overriding the blade cut through leverage and changing gear ratio.
- When changing blade size, always adjust bladeshaft RPM according to the speed chart to meet recommended blade RPM.
- Do not use a blade flange size smaller than indicated for each blade.
- Never operate saw without the blade guard in place or allow rotating blade exposure to exceed 10 degrees.
- Never stand in line with the blade path when starting or operating saw.
- Never use damaged blades or equipment.
- Refer to operator's manual for additional information about safety, operation and maintenance.

ADVERTENCIA

Antes de conectar la sierra a la velocidad de RPM del eje de la sierra de un motor, asegurese de que la velocidad de RPM del eje de la sierra sea mayor que la velocidad máxima de RPM estampada en la sierra. Exceder la velocidad máxima de RPM estampada en la sierra puede causar un rompimiento de la sierra, lo que puede causar lesiones personales graves o la muerte.

Al cambiar el tamaño de la sierra, siempre ajuste la velocidad de RPM del eje de la sierra de acuerdo a la velocidad de RPM recomendada en la sierra.

No use una sierra con un tamaño de flange menor que el indicado para cada sierra.

Nunca opere la sierra sin el guardablanco en su lugar o permita la exposición de la sierra a un ángulo de corte mayor de 10 grados.

Nunca se quede en línea con el camino de la sierra al iniciar o operar la sierra.

Nunca use sierras dañadas o equipo.

Referirse al manual del operador para obtener información adicional sobre seguridad, operación y mantenimiento.

RPM CHART DECAL
#1800583B

WARNING

TO PREVENT SERIOUS INJURY
DO NOT OPERATE SAW WITHOUT PROPER TRAINING & FULL UNDERSTANDING OF THE OWNERS MANUAL.

WHEN OPERATING THIS MACHINE
KEEP ALL GUARDS IN PLACE

ALWAYS WEAR SAFETY APPROVED

- HEARING PROTECTION
- EYE OR FACE PROTECTION
- HEAD PROTECTION
- RESPIRATOR

S.M.I. MASONRY AND CONCRETE SAW MANUFACTURERS INSTITUTE ©

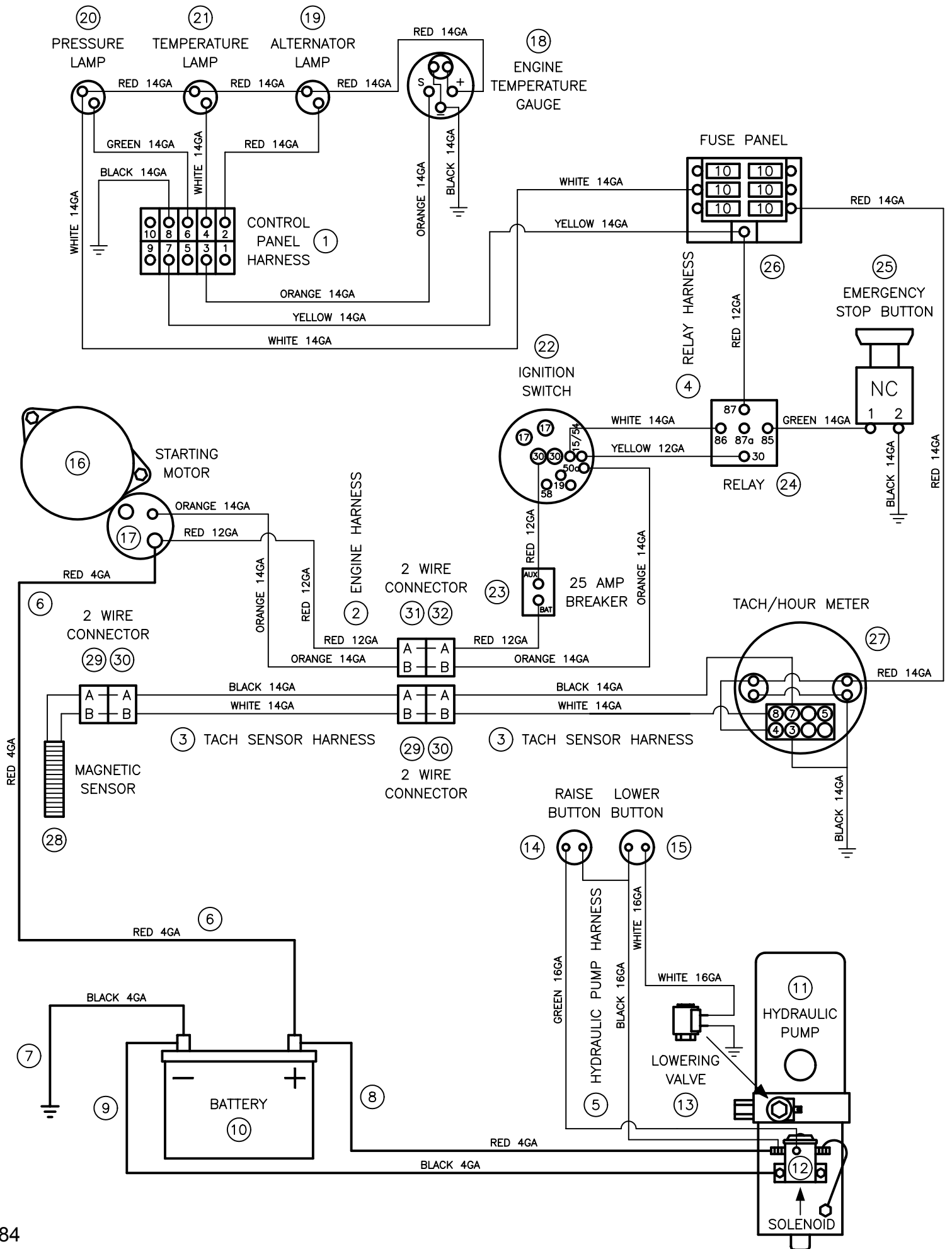
WARNING DECAL
#1800001

SAW LABELS SHEET
#1800351

LUBRICATE PTO BEARINGS EVERY 50 HOURS. PUMP GREASE UNTIL IT JUST BEGINS TO OOOZE OUT BEHIND THE V-RING SEAL.

GREASE DECAL
#1800897

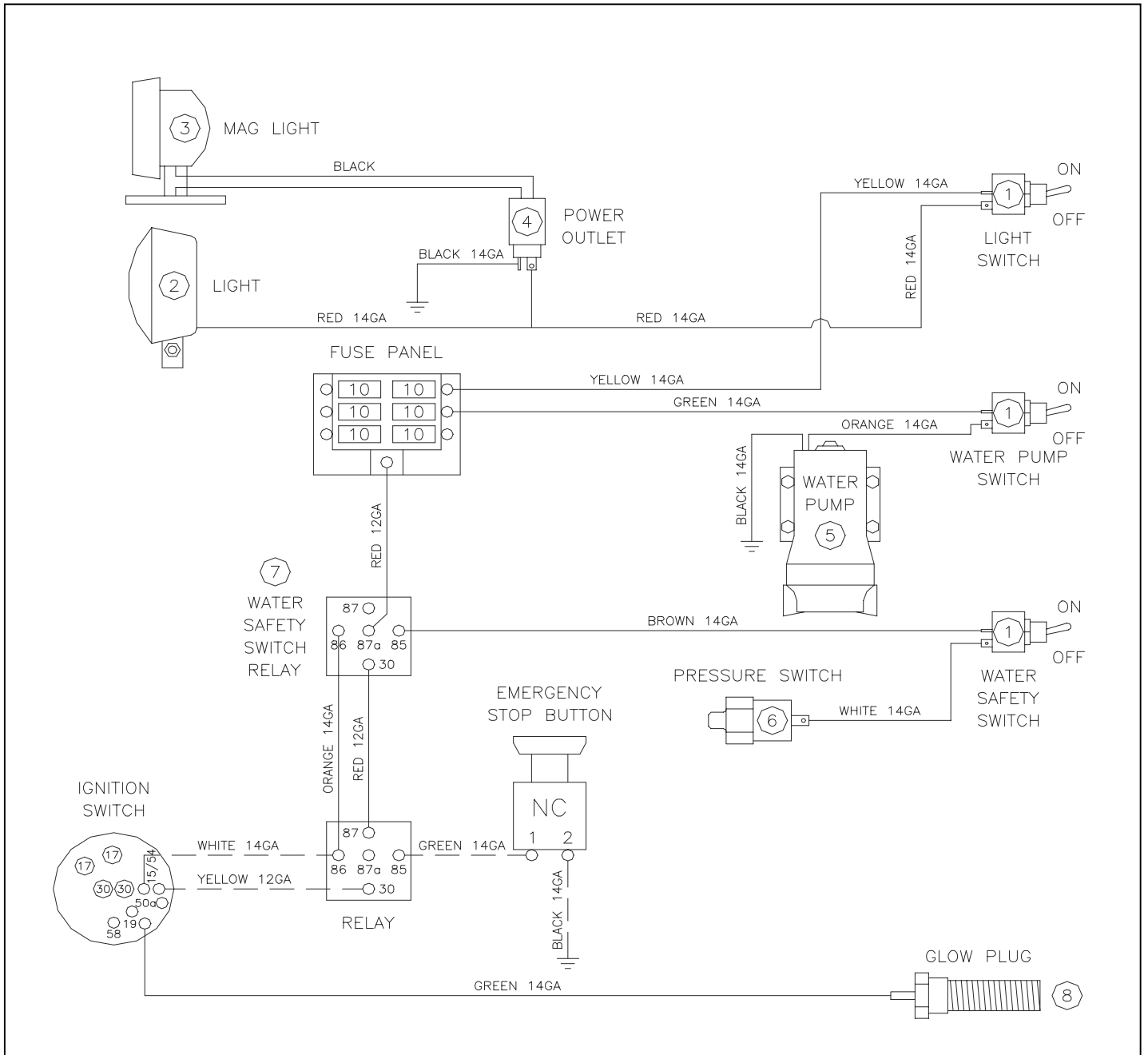
Wiring Diagram



Wiring Diagram

Item	Part No.	Qty.	Description	Item	Part No.	Qty.	Description
1	2800396	1	Control Panel Harness	23	2800387	1	Circuit Breaker, 25 Amp
2	2800429	1	Engine Harness (Includes #31 & #32)		2800364	1	Circuit Breaker Boot, Red
3	2800397	1	Tach Sensor Harness (Includes #29 & #30)	24	2800144	1	Relay
4	2800392	1	Relay Harness		2800263	1	Relay Connector
5	2800393	1	Hydraulic Pump Harness		2800264	4	Wire Terminal, 1/4" Push-on
6	2800073	1	Battery Cable, Positive (Red)	25	2800461	1	Emergency Stop Button
7	2800072	1	Battery Cable, Negative (Black)		2800462	1	Contact Block N.C.
8	2800095	1	Solenoid Cable, Positive (Red)	26	2800388	1	Fuse Panel, 6 Circuit
9	2800182	1	Ground Cable, Negative (Black)		2800389	6	Fuse, 10 Amp Red ATO/ATC
10	2800465	1	Battery, 12 Volt Group Size 24	27	6010416	1	Tach/Hour Meter (VDO) Calibrated
11	2600070	1	Hydraulic Pump Unit (Includes #12 & #13)		2800611	2	(Light Socket)
12	2700169	1	Solenoid, Motor		2800612	2	(Light Bulb, Wedge Base)
13	2700243	1	Valve Coil	28	2800170	1	Magnetic Sensor (Includes #29)
	2700244	1	Valve Stem	29	2800145	2	Connector, 2 Wire Shroud
14	2800372	1	Pushbutton Switch, Raise		2800114	4	Male Terminal, 14/16 Gage Wire
15	2800373	1	Pushbutton Switch, Lower		2800174	4	Cable Seal, Gray
16	2702274	1	Starting Motor (Includes #17)	30	2800146	2	Connector, 2 Wire Tower
17	2701823	1	Solenoid Switch		2800115	4	Female Terminal, 14/16 Gage Wire
18	2703192	1	Temperature Gauge, Pricol		2800174	4	Cable Seal, Gray
19	2700785	1	Alternator Light	31	2800145	1	Connector, 2 Wire Shroud
	2700923	1	(Bulb Only)		2800114	1	Male Terminal, 14/16 Gage Wire
20	2700786	1	Oil Pressure Light		2800112	1	Male Terminal, 12 Gage Wire
	2700923	1	(Bulb Only)		2800174	1	Cable Seal, Gray
21	2700787	1	Oil Temperature Light		2800175	1	Cable Seal, Blue
	2700923	1	(Bulb Only)	32	2800146	1	Connector, 2 Wire Tower
22	2703194	1	Ignition Switch & Key		2800115	1	Female Terminal, 14/16 Gage Wire
	2703195	1	(Ignition Key Only)		2800113	1	Female Terminal, 12 Gage Wire
					2800174	1	Cable Seal, Gray
					2800175	1	Cable Seal, Blue

Options Wiring Diagram



Item	Part No.	Qty.	Description	Item	Part No.	Qty.	Description
1	2800062	3	Toggle Switch	5	2600200	1	Water Pump, 12V Diaphragm
	2800063	3	Switch Boot	6	2800060	1	Water Pressure Safety Switch
2	2500194	1	Spot Light, 12 Volt	7	2800144	1	Relay
3	2501087	1	Magnetic Base Light, 12 Volt		2800263	1	Relay Connector
4	2800374	1	Power Outlet, 12 Volt		2800264	4	Wire Terminal, 1/4" Push-on
	2800375	1	Outlet Cap	8	2701698	1	Glow Plug