



P506010-20

# CARE AND OPERATION INSTRUCTIONS

## OUTDOOR DECORATIVE GAS FIREPLACE

OUTDOOR DECORATIVE GAS FIREPLACE  
P/N 506010-20 REV. NC 03/2014

	<p><b>WARNING</b></p> <ul style="list-style-type: none"> <li>Hot! Do not touch! The surfaces of this appliance will be hot during operation and will retain heat for a while after shutting off the appliance. Severe burns may result.</li> </ul>
	<p>Carefully supervise children in the same room as appliance.</p>

### MODELS

VRE4336ZEN  
VRE4336ZEP

VRE4342ZEN  
VRE4342ZEP

**INSTALLER:** Leave this manual with the appliance.  
**CONSUMER:** Retain this manual for future reference.

**INSTALLATEUR:** Laissez cette notice avec l'appareil.  
**CONSOMMATEUR:** Conservez cette notice pour consultation ultérieure.

<p><b>DANGER</b></p>	<p><b>CARBON MONOXIDE HAZARD</b></p> <ul style="list-style-type: none"> <li>This appliance can produce carbon monoxide which has no odor.</li> <li>Using it in an enclosed space can kill you.</li> <li>Never use this appliance in an enclosed space such as a camper, tent, car or home.</li> </ul>
<p><b>WARNING: For Outdoor Use Only.</b></p>	
<p><b>DANGER</b> <b>IF YOU SMELL GAS:</b></p> <ol style="list-style-type: none"> <li>Shut off gas to appliance.</li> <li>Extinguish any open flame.</li> <li>If odor continues, keep away from the appliance and immediately call your gas supplier or your fire department.</li> </ol>	

<p><b>DANGER</b></p>	<p><b>MONOXYDE DE CARBONE</b></p> <ul style="list-style-type: none"> <li>Cet appareil peut produire du monoxyde de carbone, un gaz inodore.</li> <li>Son utilisation dans un espace clos peut vous tuer.</li> <li>Ne jamais utiliser cet appareil dans un espace clos, tel qu'une caravane, tente, voiture ou à la maison.</li> </ul>
<p><b>Avertissement:</b> <b>Pour utilisation à l'exérieur seulement.</b></p>	
<p><b>DANGER</b> <b>SI VOUS UNE ODEUR DE GAZ:</b></p> <ol style="list-style-type: none"> <li>Coupez l'admission de gaz de l'appareil.</li> <li>Éteindre toute flamme nue.</li> <li>Si l'odeur persiste, éloignez-vous de l'appareil et appelez immédiatement votre fournisseur de gaz ou le service d'incendie.</li> </ol>	



PFS Report No. 14-020

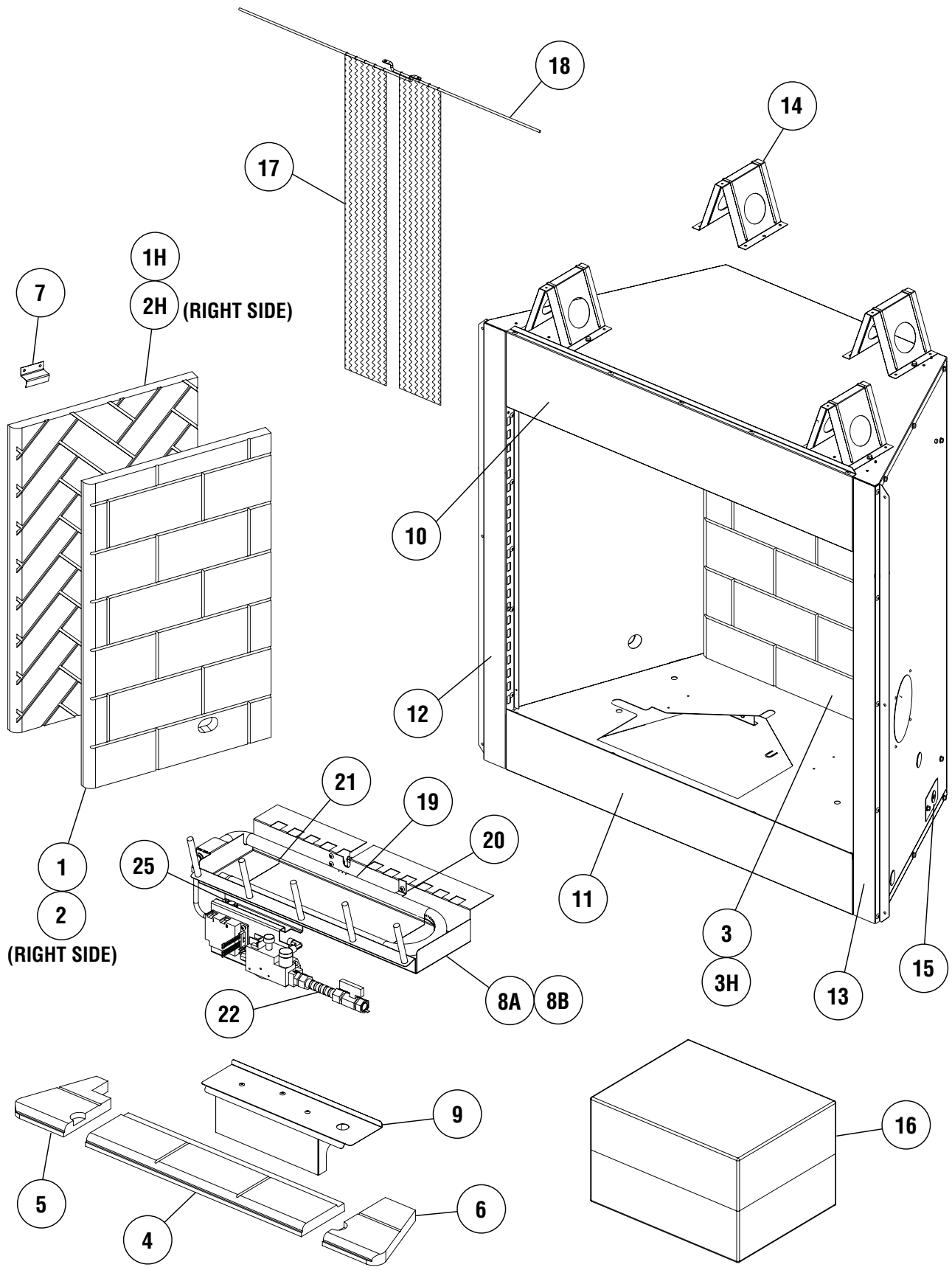
A French manual is available upon request. Order Form Number 506010-21.

Ce manuel d'installation est disponible en français, simplement en faire la demande. Numéro de la pièce 506010-21.

## REPLACEMENT PARTS LIST

Item No.	Description	VRE4336		VRE4342	
		Part No.	Qty.	Part No.	Qty.
1	Refractory, LH Side	H7762	1	H7762	1
1H	Refractory, LH Herringbone	H7771	1	H7771	1
2	Refractory, RH Side	H7761	1	H7761	1
2H	Refractory, RH Herringbone	H7770	1	H7770	1
3	Refractory, Rear	H7764	1	H7768	1
3H	Refractory, Rear Herringbone	H7767	1	H7772	1
4	Refractory, Bottom, Middle	H4952	1	H4952	1
5	Refractory, Bottom, Side (LH)	H4948	1	H4949	1
6	Refractory, Bottom, Side (RH)	H4950	1	H4951	1
7	Clip, Refractory	H6368	4	H6368	4
8A	Gas Train Assembly (Natural Gas)	H4941	1	H4941	1
8B	Gas Train Assembly (Propane Gas)	H4942	1	H4942	1
9	Valve Cover Assembly	H4947	1	H4947	1
10	Top Frame	H4933	1	H4934	1
11	Bottom Frame	H4935	1	H4936	1
12	Corner Post (LH)	H4937	1	H4937	1
13	Corner Post (RH)	H4938	1	H4938	1
14	Stand-Off Bracket	H2716	4	H2716	4
15	Cover Plate (Gas Access)	H4955	1	H4955	1
16	Log Set	H4932	1	H4932	1
17	Screen	H4926	2	H4927	2
18	Screen Rod	H4939	2	H4940	2
19	Tube, Burner Assembly	H4930	1	H4930	1
20	Burner Bracket	H6570	2	H6570	2
21	Burner Tube Support	H4953	2	H4953	2
22	Flex Connector	93L32	2	93L32	2
23	Volcanic Stone (Not Pictured)	80L42	3	80L42	3
24	Electrical Kit (Not Pictured)	H4954	1	H4954	1
25	Limit Switch	H6243	1	H6243	1

# REPLACEMENT PARTS



NOTE: DIAGRAMS & ILLUSTRATIONS NOT TO SCALE.