

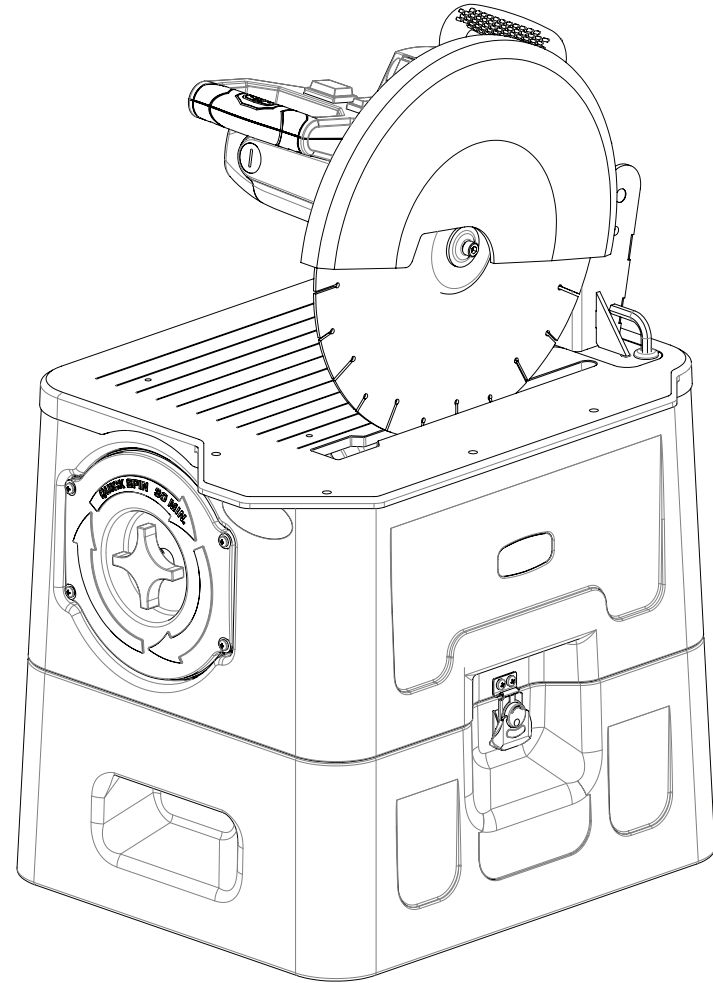


**POWER TOOLS™**

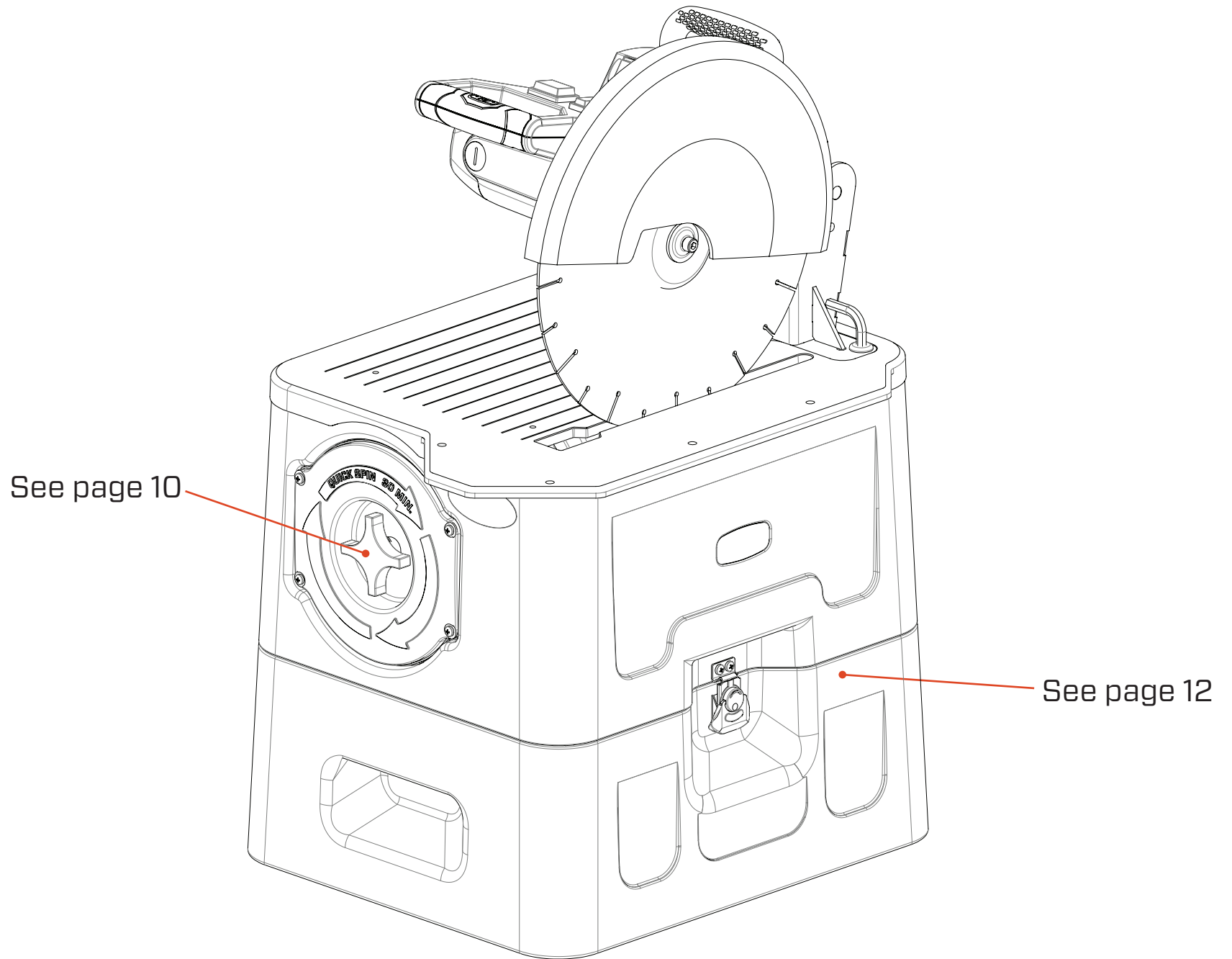
## **iQ360XT 120V**

---

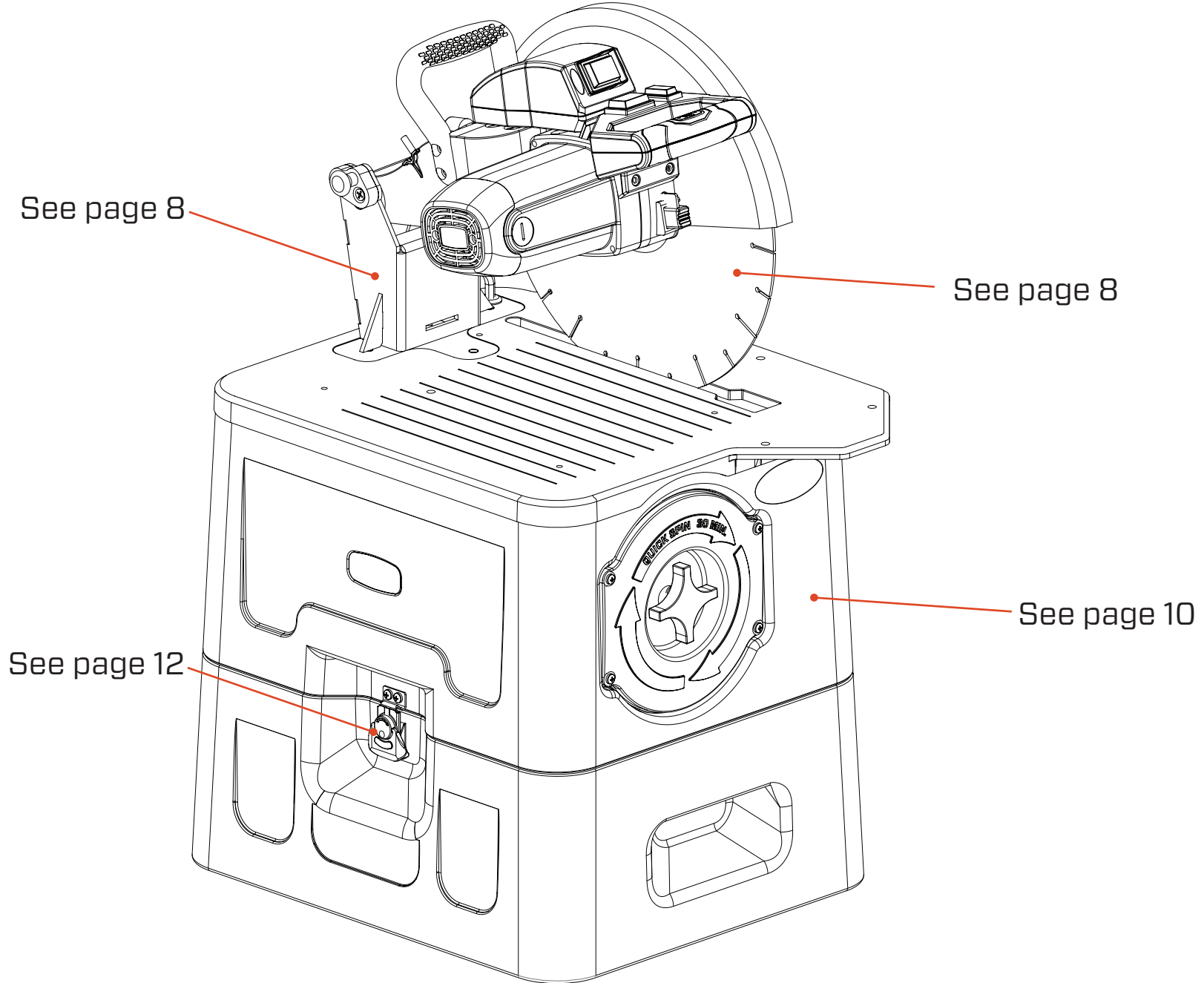
### **Parts Manual**



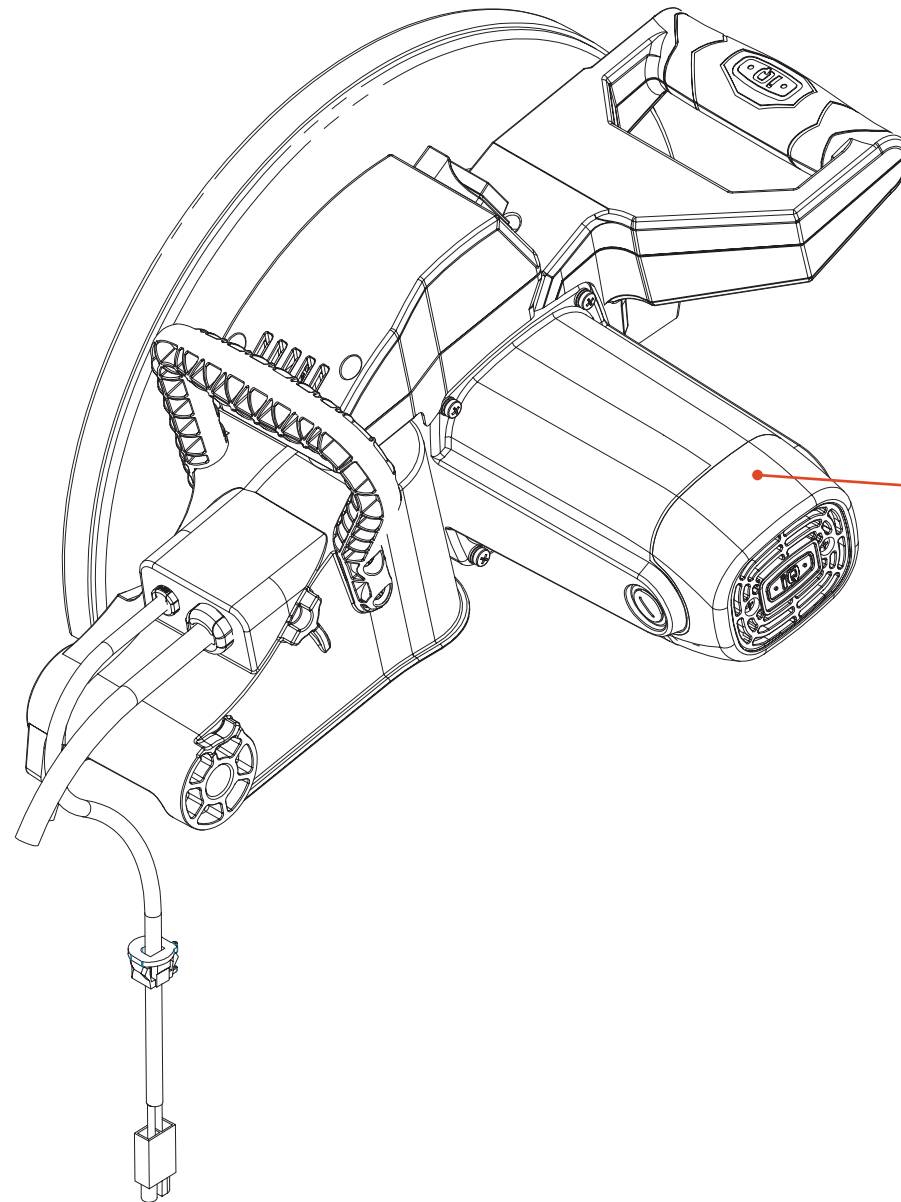
# FRONT ANGLED VIEW



## BACK ANGLED VIEW

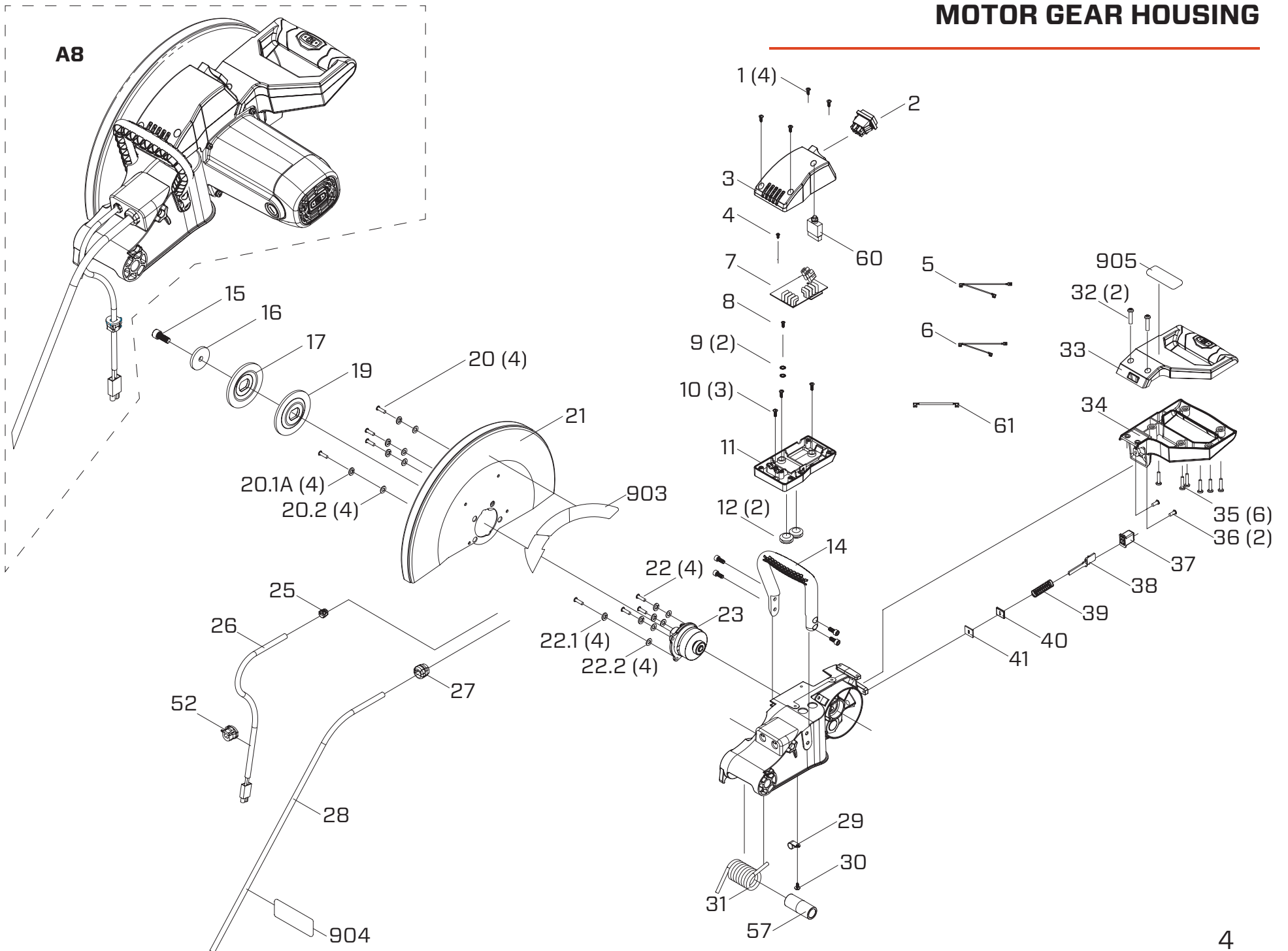


# MOTOR GEAR HOUSING



See page 4

# MOTOR GEAR HOUSING

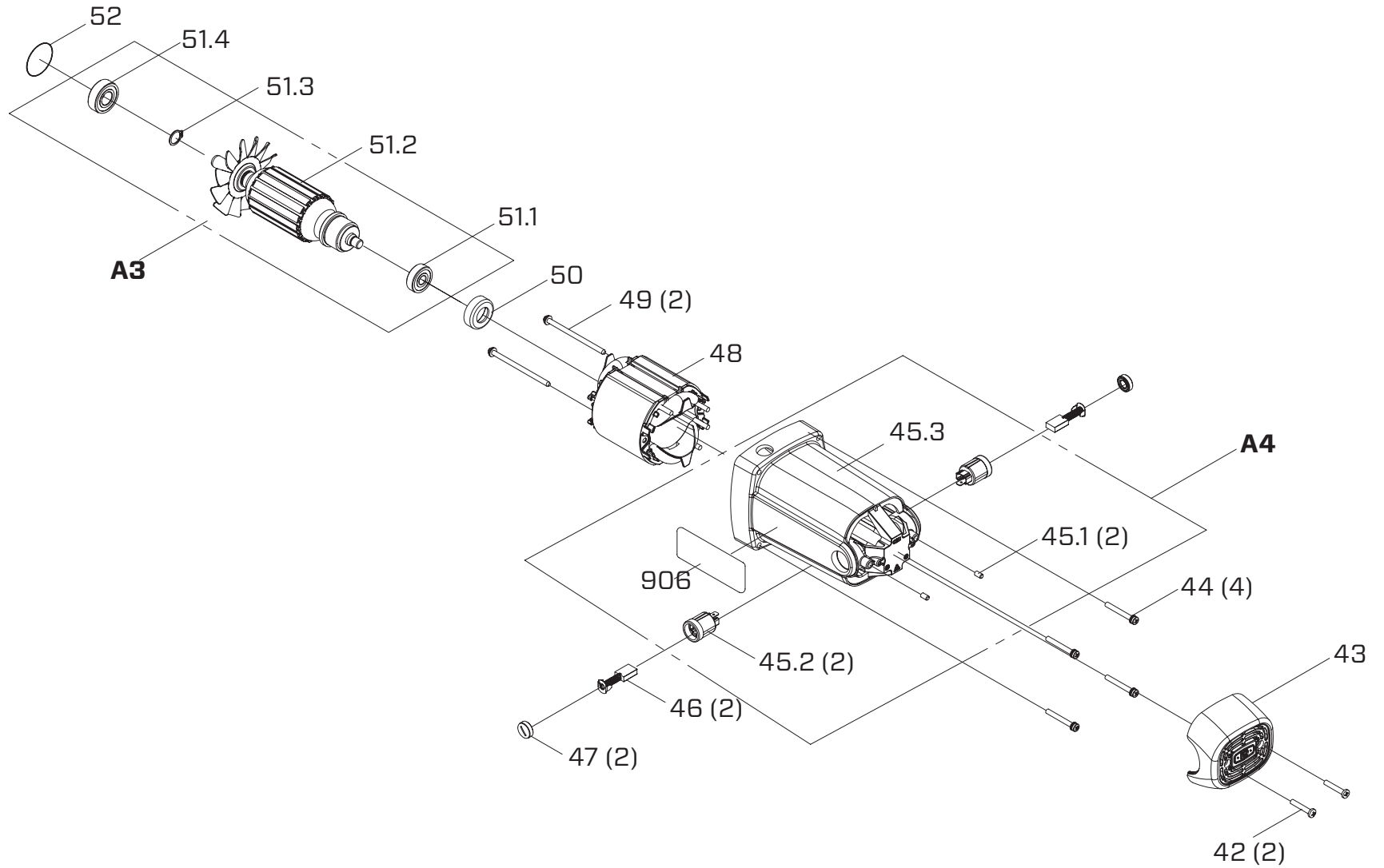


# MOTOR GEAR HOUSING

ASSEMBLY KIT / SET	ITEM NO	QTY	PART NO	DESCRIPTION
A8	A8	1	0360-62002-02	iQ360XR 120v Saw Motor
K5	K5	1	036-90006-01	Hardware Kit
	1	4		Tap Screw
	4	1		Tap Screw
	8	1		Tap Screw
	9	1		Washer
	10	3		Tap Screw
	2	1	0360-62074-01	Main Power Switch 120v
K16	K16	1	0360-90026-01	Control Box Kit (Top & Bottom)
	3	1		Control Box Top
	11	1		Control Box Bottom
K6	K6	1	0360-90007-01	Jumper Wire Kit
	5	1		Jumper Wire
	6	1		Jumper Wire
	7	1	0360-62079-02	PCB Module 120v
SET	12	1	0244-90087-01	Cord Ring (Set of 2)
SET	13	1	0360-90024-01	Screw (Set of 4)
	14	1	0360-62086-01	Carry Handle
K2	K2	1	0360-90003-01	Outer Flange Hardware Kit
	15	1		Hex Screw with Washer
	16	1		Outer Flange Washer
	17	1	0360-62089-01	Flange, Out (Black oxide)
	19	1	0360-62091-01	Flange, In (Black oxide)
K7	K7	1	0360-90008-01	Hardware Kit
	20	4		Tap Screw
	20.1	4		S Washer
	20.2	4		Washer
	21	1	0360-62095-01	Blade Guard Cover

ASSEMBLY KIT / SET	ITEM NO	QTY	PART NO	DESCRIPTION
K8	K8	1	0360-90009-01	Hardware Kit
	22	4		Tap Screw
	22.1	4		S Washer
	22.2	4		Washer
A5	A5	1	0360-62099-01	Arbor Assembly
	24	1	0360-62109-01	Gear Housing
K9	K9	1	0360-90010-01	Cord Strap Kit
	25	1		Strain Relief
	27	1		Strain Relief
	29	1		Cable Clamp
	30	1	Tap Screw	
	26	1	0360-62111-01	Vacuum Power Wire with Terminal
	28	1	0360-62113-01	Main Power Cord 120v
	31	1	0360-62116-01	Axle Spring
K10	K10	1	0360-90011-01	Handle Hardware Kit
	32	2		Tap Screw
	35	6		Tap Screw
	36	2		Tap Screw
K11	K11	1	0360-90001-01	Saw Motor Main Handle
	33	1		Main Handle Up
	34	1		Main Handle Down
K12	K12	1	0362-90015-01	Spindle Lock Hardware Kit
	37	1		Spindle Lock Cover
	38	1		Spindle Lock
	39	1		Compress Spring
	40	1		Seal Pad
	41	1		Felt Seal
	57	1	0360-62152-01	Torsion Spring Sleeve
	59	1	0360-60002-02	Cord Grip

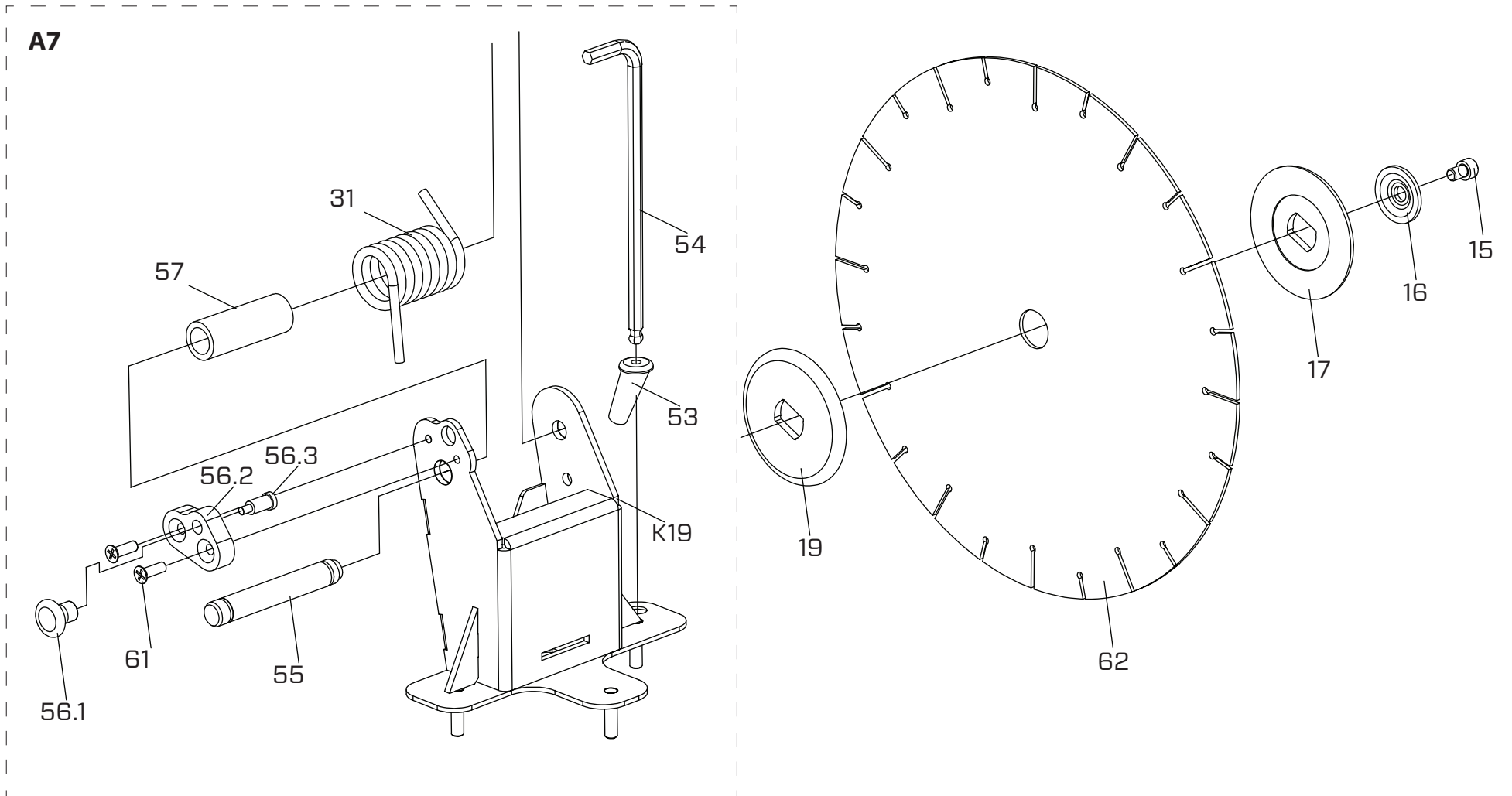
# MOTOR ASSEMBLY



## MOTOR ASSEMBLY

ASSEMBLY KIT / SET	ITEM NO	QTY	PART NO	DESCRIPTION
SET	42	1	0244-90068-01	Tap Screw (Set of 2)
	43	1	0360-62128-01	End Cover
SET	44	1	0244-90085-01	Screw (Set of 4)
A4	A4	1	0360-62130-02	Motor Housing Assembly
SET	46	1	0360-90014-01	Saw Motor Brush (Set of 2)
SET	47	1	0360-90015-01	Brush Cover (Set of 2)
	48	1	0360-62136-01	Stator (120v)
SET	49	1	0360-90019-01	Screw w/ Washer (Set of 2)
	50	1	0360-62138-01	Bearing Bushing
A3	A3	1	0360-62139-01	Armature Assembly 120v
	52	1	0360-62144-01	O-ring (Black)

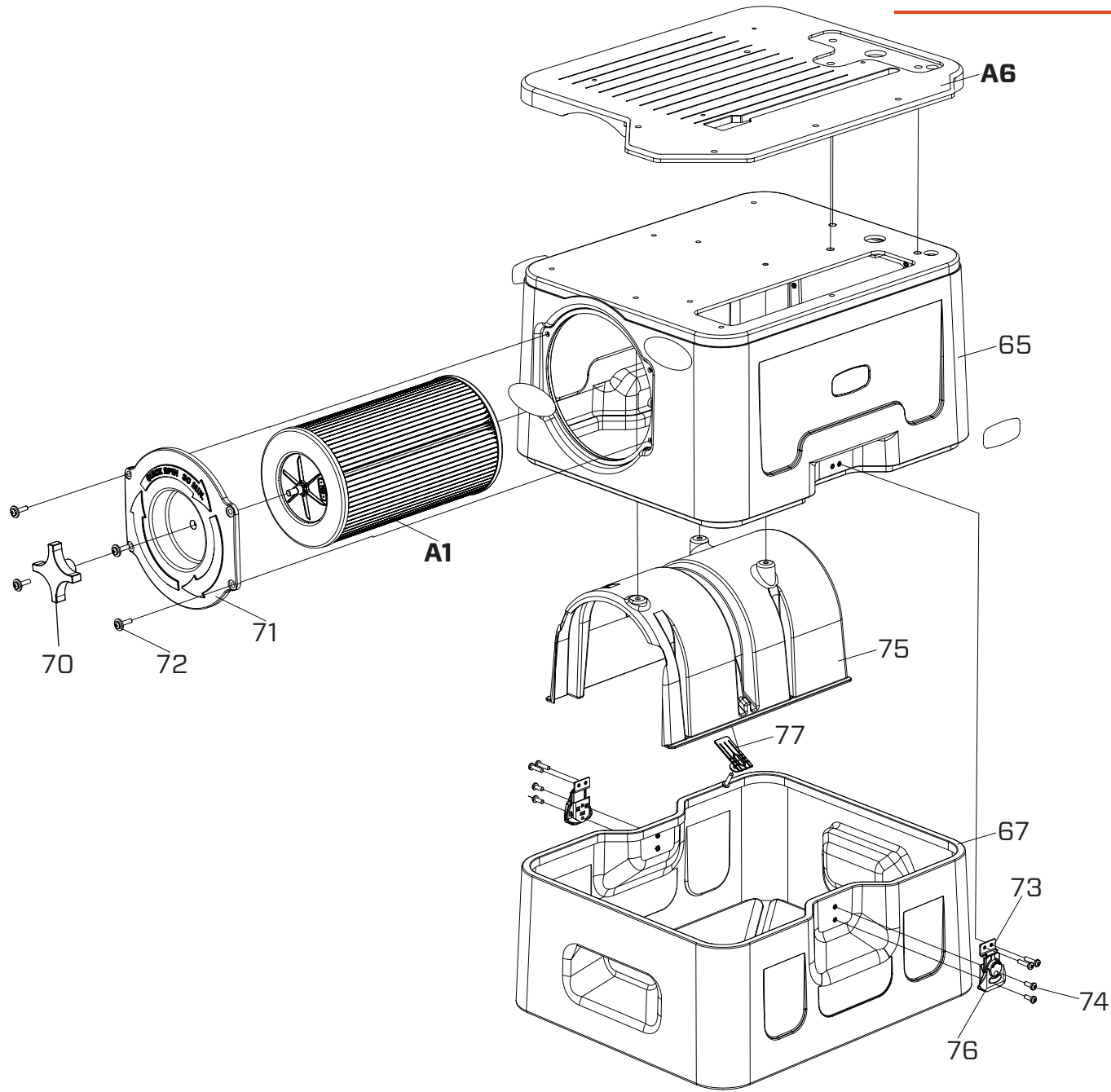
# SAW MOUNT



# SAW MOUNT

ASSEMBLY KIT / SET	ITEM NO	QTY	PART NO	DESCRIPTION
A7	A7	1	0360-00130-01	Saw Mount Assembly
	54	1	0360-62146-01	Blade Allen Wrench
	53	1	0360-62145-01	Rubber Sleeve
	31	1	0360-62116-01	Axle Spring
	57	1	0360-62152-01	Torsion Spring Sleeve
	55	1	0360-62058-01	Saw Mount Shaft
K1	K1	1	0360-62148-01	Shaft Retainer Plate Assembly
	56.1	1		Lock Pin Knob
	56.2	1		Shaft Retainer Plate
	56.3	1		Lock Pin
SET	61	1	0360-90030-01	Flat Head Screw (Set of 2)
	19	1	0360-62091-01	Flange, inside (Black oxide)
	17	1	0360-62089-01	Flange, outside (Black oxide)
K2	K2	1	0360-90003-01	Outer Flange Hardware Kit
	16	1		Outer Flange Washer
	15	1		Hex Screw w/Washer
	62	1	MAS14-125AG	Masonry Blade 14" x 1.25 - Gold
K19	K19	1	0360-90036-01	Shaft Stopper Hardware Kit
	106	1		Cap Screw
	107	1		Aluminium Sleeve
	108	1		Nylon Nut

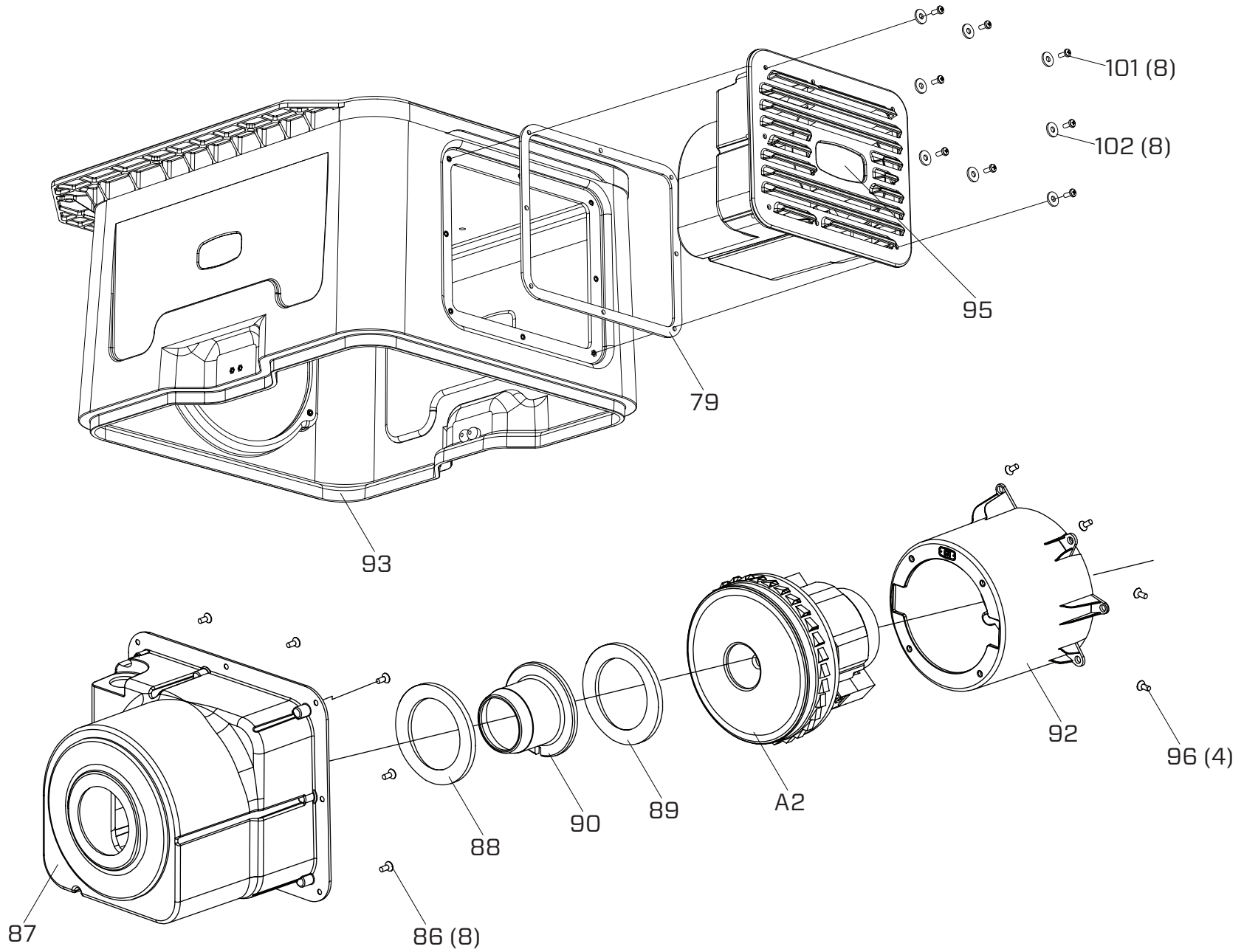
# MAIN HOUSING



# MAIN HOUSING

ASSEMBLY KIT / SET	ITEM NO	QTY	PART NO	DESCRIPTION
A6	68	1	0360-90017-01	Top Deck Assembly
A9	65	1	0360-90031-01	Upper Vacuum Housing Assembly
	67	1	0360-00003-03	Dust Collection Tub
	75	1	0360-00145-01	Filter Shield
A1	A1	1	0360-25001-01	Replacement Filter Assembly
	71	1	0360-00148-01	Filter Access Panel
	70	1	0244-00355-01	Filter Spin Knob
SET	72	1	0360-90032-01	Screw (Set of 4)
	73	2	0360-08002-01	Draw Catch
SET	74	1	0360-90033-01	Screw (Set of 4)
	76	2	0360-08001-01	Rotary Draw Latch
K22	K22	1	0360-90040-01	Rotary Draw Catch/Latch Kit
	73	1		Draw Catch
	74	4		Screw
	76	1		Rotary Draw Latch
K14	K14	1	0360-90022-01	Filter Tab Hardware Kit
	77	1		Filter Clean Tab
	97.1	1		Flat Washer
	97.2	1		Washer
	97.3	1		Screw

# LOWER FRAME ASSEMBLY



## LOWER FRAME ASSEMBLY

ASSEMBLY KIT / SET	ITEM NO	QTY	PART NO	DESCRIPTION
A2	A2	1	0360-90100-01	Vacuum Motor Assembly 120V
	93	1	0360-00147-01	Vacuum Motor Cover
	95	1	0360-00095-01	Filter Foam
K24	K24	1	0360-90042-01	Vacuum Motor Mount Kit
	92	1		Vacuum Motor Mount
	96	4		Screw
K17	K17	1	0360-90034-01	Vacuum Motor Mount Hardware Kit
	101	8		Screw
	102	8		Flat Washer
K23	K23	1	0360-90041-01	Vacuum Motor Housing Kit
	87	1		Vacuum Motor Housing
	79	1		Vacuum Motor Housing Gasket
K18	K18	1	0360-90035-01	Hardware Kit
	103	3		Round Head Screw
	104	3		Washer
	105	3		Flat Washer
	89	1	0360-00089-01	Vacuum Motor Seal Gasket
K13	K13	1	0360-90020-01	iQ360XT Filter Spindle Kit
	90	1		Filter Spindle
	88	1		Filter Spindle Seal Gasket
K15	K15	1	0360-90023-01	Vacuum Motor Hardware Kit
	80	1		Crimp Terminal, Connectors
	81	1		Crimp Terminal, Housing
	78	2		Cable Seal
SET	86	1	0360-90037-01	Vacuum Motor Housing Hardware Kit (Set of 8)

# LABELS



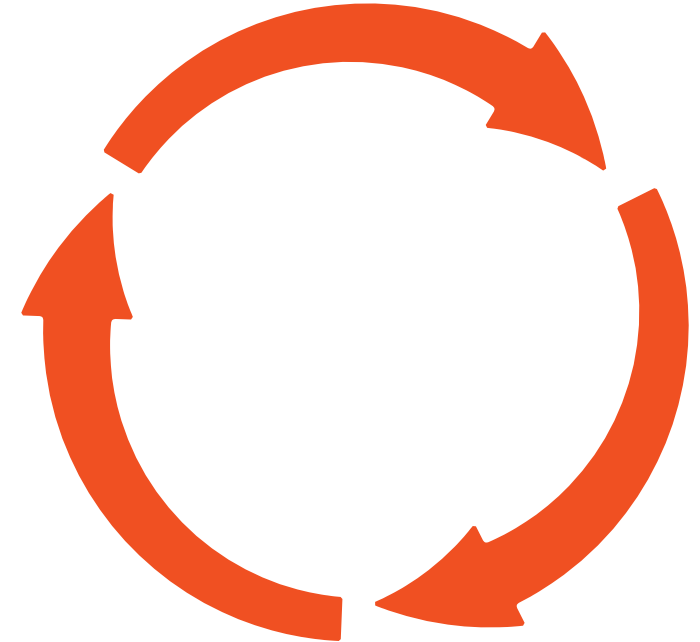
911



903



910



908



905



909



907



906



904

# LABELS

ASSEMBLY KIT/ SET	ITEM NO	QTY	PART NO	DESCRIPTION
K20	K20	1	0360-90038-01	iQ360XR/XT Saw Motor Label Sheet 1
	903	1		iQ360X Blade Guard Label
	904	1		iQ360X PPE Saw Motor Label
	905	1		iQ360XR Off Switch Warning Label
	906	1		iQ360XR 120v Saw Motor Label
K21	K21	1	0360-90039-01	iQ360XR/XT Saw Motor Label Sheet 2
	907	1		iQ360X Serial Number Label
	908	1		iQ360X Filter Access Panel Spin Label
	909	1		iQ360X Filter Spin Label
	910	1		iQ360X Warning Label