

PARTNER

ConstructionParts.com



888-634-4289

IPL, K 950 Active, 2001-04, 106 24 93-63

ConstructionParts.com

K 950 Active

Reservdelar

Spare parts

Ersatzteile

Pieces de rechange

Piezas de repuesto

Ricambi

Peças

sobresselente

ConstructionParts.com

888-634-4289

106 24 93-63

PARTNER[®]

No.	Pos.	Description	No.	Pos.	Description
501 22 03-01	L	Welch plug	503 57 76-02	B	Hose
501 22 04-01	L	Ball	503 57 86-01	L	Ball
501 22 05-01	L	Spring	503 57 87-01	L	Screw
501 22 12-01	L	Fuel pump diaphragm	503 57 89-01	B	Holder
501 22 13-01	L	Gasket, pump side	503 66 56-01	C	Valve
501 22 15-01	L	Screw	503 67 80-01	K	Support ring
501 22 20-01	L	Lever	503 70 15-01	D	Clutch cpl
501 22 21-01	L	Shaft	503 71 79-01	H	Stop switch
501 22 25-01	L	Spring	503 78 26-73	A	Crankshaft
501 48 52-01	L	Screw	503 84 50-01	H	Cable
501 48 54-02	H	Spark plug conn.kit	503 90 17-01	H	Ignition module
501 63 48-01	H	Spring	503 97 83-01	C	Muffler
501 67 32-03	H	Pawl	503 98 82-01	L	Screen
501 69 17-02	M	Comb. tool	505 27 75-16	H	Insulation cap
501 76 83-25	B	Hose	505 31 65-50	L	Inlet needle
501 76 83-31	B	Hose	505 39 75-13	F	Decal
501 81 74-01	A	Needle bearing	506 02 85-64	E	Shaft
501 81 99-01	H	Screw M5x14	506 02 87-01	F	Washer
501 82 18-01	L	Retaining ring	506 02 88-30	F	Bushing
501 83 98-01	H	Cable	506 03 88-01	F	Decal
503 12 79-02	G	Starter handle	506 03 95-20	F	Bushing
503 14 51-01	D	Clutch spring	506 03 95-22	F	Bushing
503 20 00-45	E	Screw	506 03 95-25	F	Bushing
503 20 02-12	FP	Screw	506 07 05-03	E	Belt
503 20 02-16	B,C,J,K	Screw	506 07 05-04	E	Belt
503 20 02-30	J	Screw	506 07 08-01	E	Spacer
503 20 02-55	K	Screw	506 07 09-01	F	Washer
503 20 19-75	C	Screw	506 07 18-02	E	Pulley
503 20 25-20	H	Screw	506 09 56-02	N	Clamp
503 20 30-11	E	Screw	506 13 35-01	K	Bracket
503 20 34-19	D,G	Screw	506 13 95-11	F	Washer
503 20 34-42	J	Screw	506 13 96-01	F	Screw
503 21 05-22	B	Screw	506 14 32-01	E	Catch
503 21 05-45	B	Screw	506 15 55-06	C	Cylinder cpl
503 21 06-19	N	Screw	506 15 82-01	C	Gasket
503 21 07-22	G	Screw	506 16 91-01	C	Conductor
503 21 28-06	H	Screw	506 21 68-11	B	Tank unit cpl
503 21 28-10	G	Screw	506 22 16-12	J	Cylinder cover
503 22 10-11	H	Lock nut M8x1	506 22 17-01	J	Filter cover
503 22 65-04	P	Nut	506 22 18-11	J	Filter base
503 22 66-01	E	Nut	506 22 19-01	K	Pipe
503 23 00-42	H	Washer	506 22 22-02	G	Air conductor
503 23 01-01	H	Washer 8.4x16	506 22 27-01	B	Throttle trigger
503 23 01-04	E	Washer 15x21	506 22 28-01	B	Throttle lock
503 23 04-02	C	Washer	506 22 29-01	B	Spring
503 23 51-08	H	Spark plug RCJ7Y	506 22 31-01	K	Rod
503 25 00-02	A	Ball bearing 6203C3QE6	506 22 39-01	K	Flange
503 25 21-01	E	Ball bearing	506 22 94-01	J	Jet
503 25 38-01	D	Needle bearing	506 23 12-01	K	Guide
503 26 02-05	A	Sealing ring	506 23 13-01	B	Handle
503 26 30-21	N	O-ring	506 23 14-01	D	Wheel
503 28 04-02	K	Carburettor	506 23 14-02	D	Wheel
503 28 90-24	C	Piston ring	506 23 18-01	J	Air filter
503 40 06-07	K	Hose	506 23 19-01	J	Filter
503 45 46-01	B	Elbow	506 23 20-11	K	Choke control
503 46 02-02	C	Piston cpl	506 23 23-01	B	Spring
503 46 85-01	B	Anti-vib element	506 23 24-01	A	Gasket
503 53 36-01	L	Cover	506 23 26-01	B	Plate
503 53 39-01	L	Nipple	506 23 33-03	A	Crankcase cpl
503 56 00-02	K	Clamp	506 23 59-03	G	Starter cpl

ConstructionParts.com

888-634-4289

No.	Pos.	Description	No.	Pos.	Description
506 23 61-01	B	Tank vent.	506 29 76-01	P	Harness
506 23 75-01	B	Spring	506 29 88-01	N	Screw
506 24 39-01	J	Decal	506 30 23-01	P	Decal
506 25 14-01	G	Washer	506 30 24-01	P	Decal
506 25 30-01	G	Spring	506 30 25-01	P	Bracket
506 25 59-32	B	Tank cap	506 30 40-12	P	Decal
506 25 64-02	L	Insert	506 31 07-01	D	Decal
506 25 81-02	G	Starter pulley	506 31 77-11	N	Valve cpl
506 25 84-01	L	Gasket	506 32 48-01	F	Sleeve
506 25 85-01	L	Diaphragm	506 32 87-01	N	Y-tube
506 25 88-01	L	Gasket set	506 32 89-03	N	Wet cutting kit
506 25 89-01	G	Return spring	506 33 56-15	G	Starter rope
506 26 31-01	G	Sleeve	506 33 72 01	G	Cover
506 26 35-11	E	Housing	506 34 05-14	F	Guard 14"
506 26 41-01	B	Filter	506 34 46-03	FNP	Handle
506 26 41-11	B	Fuel filter cpl	720 12 40-20	B	Pin
506 26 54-01	D	Clutch cover	720 13 07-10	A	Pin
506 26 63-02	F	Lining	725 53 29-55	EF	Screw MC6S 5x16
506 26 64-01	F	Ratchet plate	725 53 31-55	FP	Screw MC6S 5x20
506 26 65-01	F	Flange	725 53 40-55	A	Screw MC6S 5x45
506 26 66-01	E	Tensioner	725 53 72-55	C	Screw MC6S 6x25
506 26 68-01	E	Spring	737 44 13-00	C	Clip
506 26 81-01	E	Pulley	740 43 13-00	G	O-ring
506 27 11-01	B	Fuel filter weight	740 48 20-03	J	O-ring
506 27 14-01	L	Screw			
506 27 23-01	G	Decal			
506 27 24-01	J	Decal			
506 27 25-01	K	Protector			
506 27 27-01	H	Flywheel cpl			
506 27 31-01	A	Buffer			
506 27 63-01	L	Repair kit			
506 27 84-11	J	Label EPA			
506 27 84-12	J	Label CE			
506 27 84-23	J	Label Canada			
506 27 92-01	E	Cover			
506 27 93-01	E	Cover			
506 28 39-30	J	Sealing			
506 28 44-01	E	Bolt			
506 28 53-01	B	Spring			
506 28 59-01	D	Spacer			
506 28 63-01	L	Spring			
506 28 68-01	L	Cover			
506 28 73-01	E	Nut			
506 28 74-01	K	Intake			
506 28 84-01	F	Ratchet plate			
506 28 95-01	B	Nipple			
506 29 02-12	F	Guard 12"			
506 29 02-16	F	Guard 16"			
506 29 02-24	P	Guard 14"			
506 29 05-01	M	Gasket set			
506 29 09-01	L	Throttle shaft kit			
506 29 10-01	L	Throttle shaft sealing kit			
506 29 11-01	L	Choke shaft kit			
506 29 13-01	L	Jets and plugs kit			
506 29 21-01	B	Gasket			
506 29 45-01	B	Support			
506 29 50-01	B	Spark arrestor			
506 29 56-01	N	Nipple			
506 29 57-01	N	Nipple			
506 29 75-01	P	Handle			

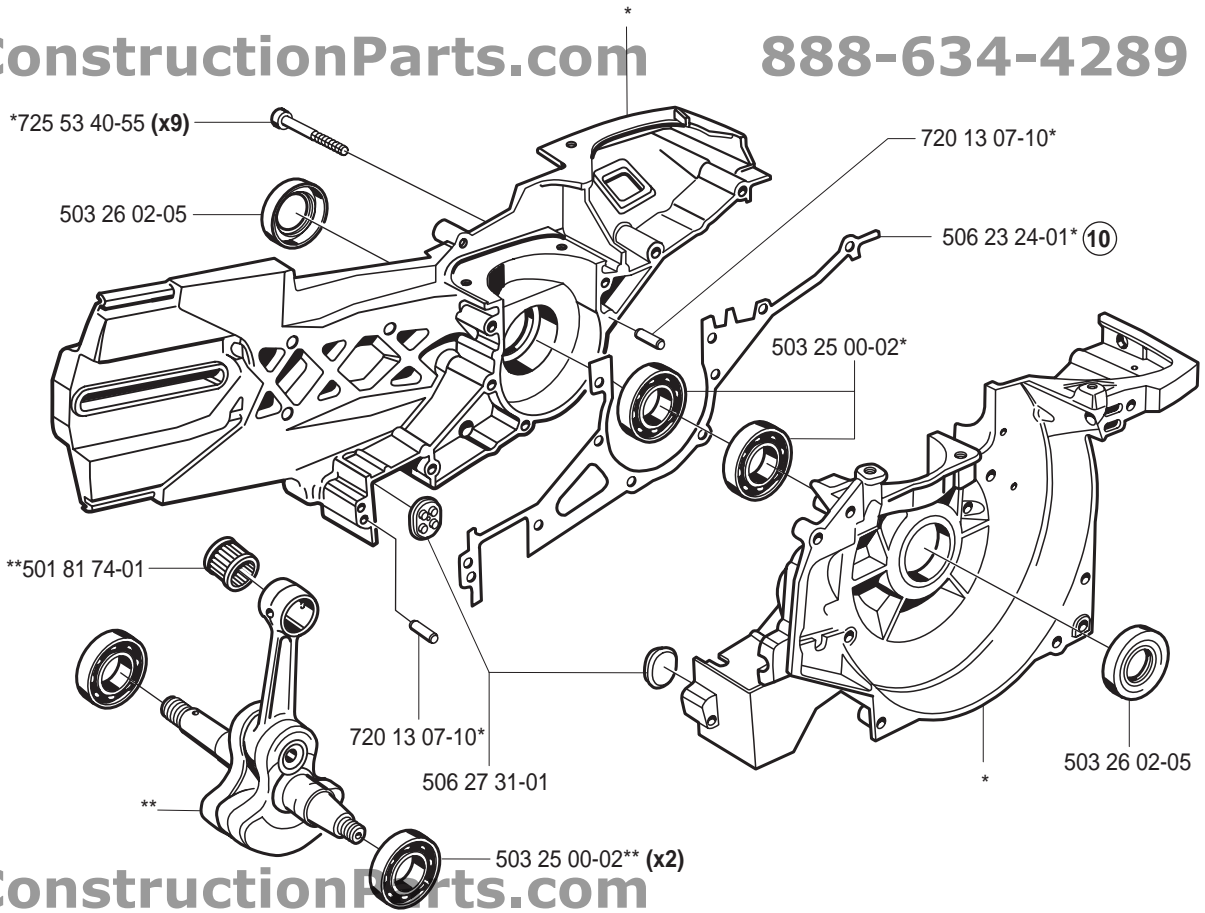
ConstructionParts.com

888-634-4289

A Crankcase compl 506 23 33-03*

ConstructionParts.com

888-634-4289



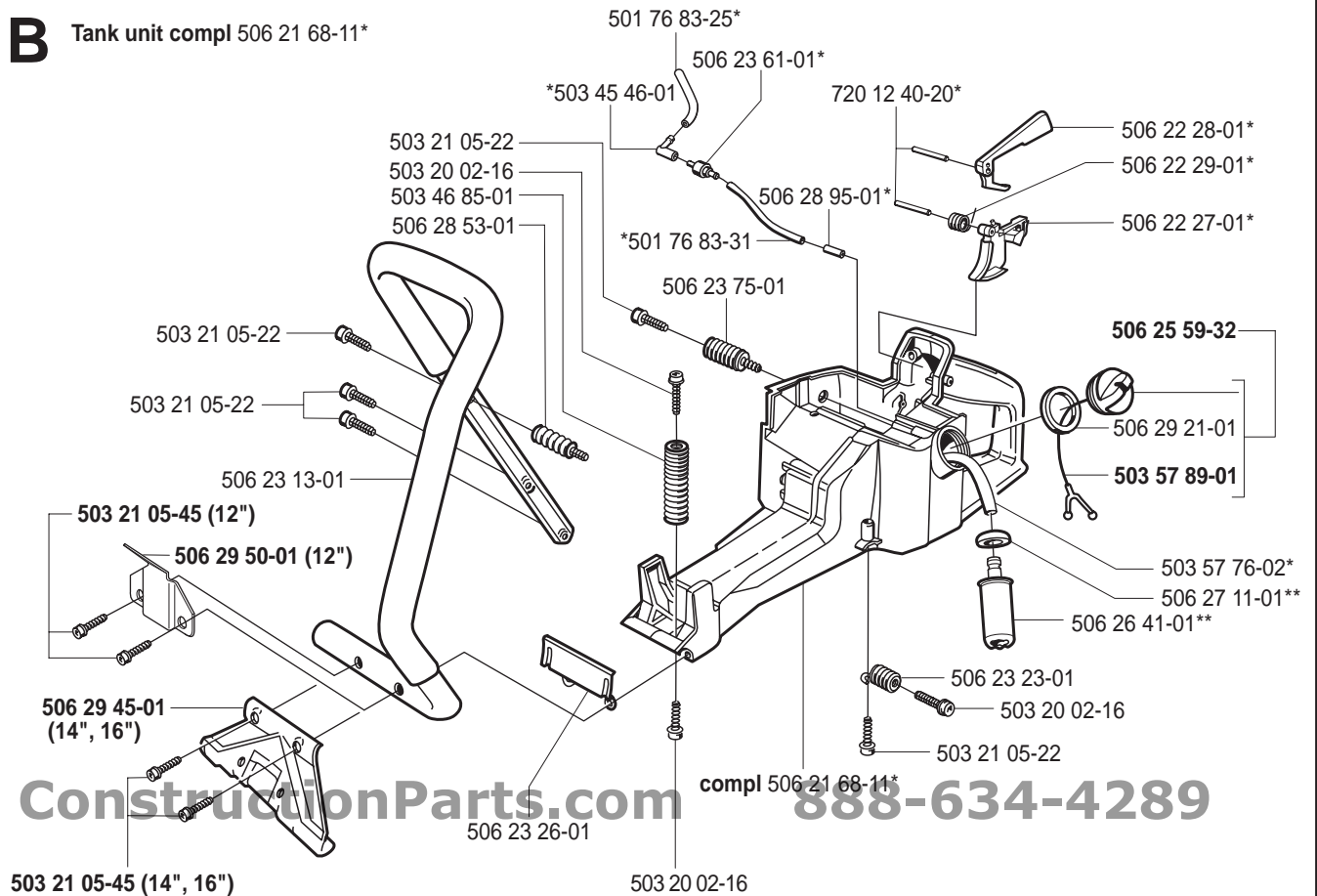
ConstructionParts.com

**compl 503 78 26-73

B Tank unit compl 506 21 68-11*

ConstructionParts.com

888-634-4289

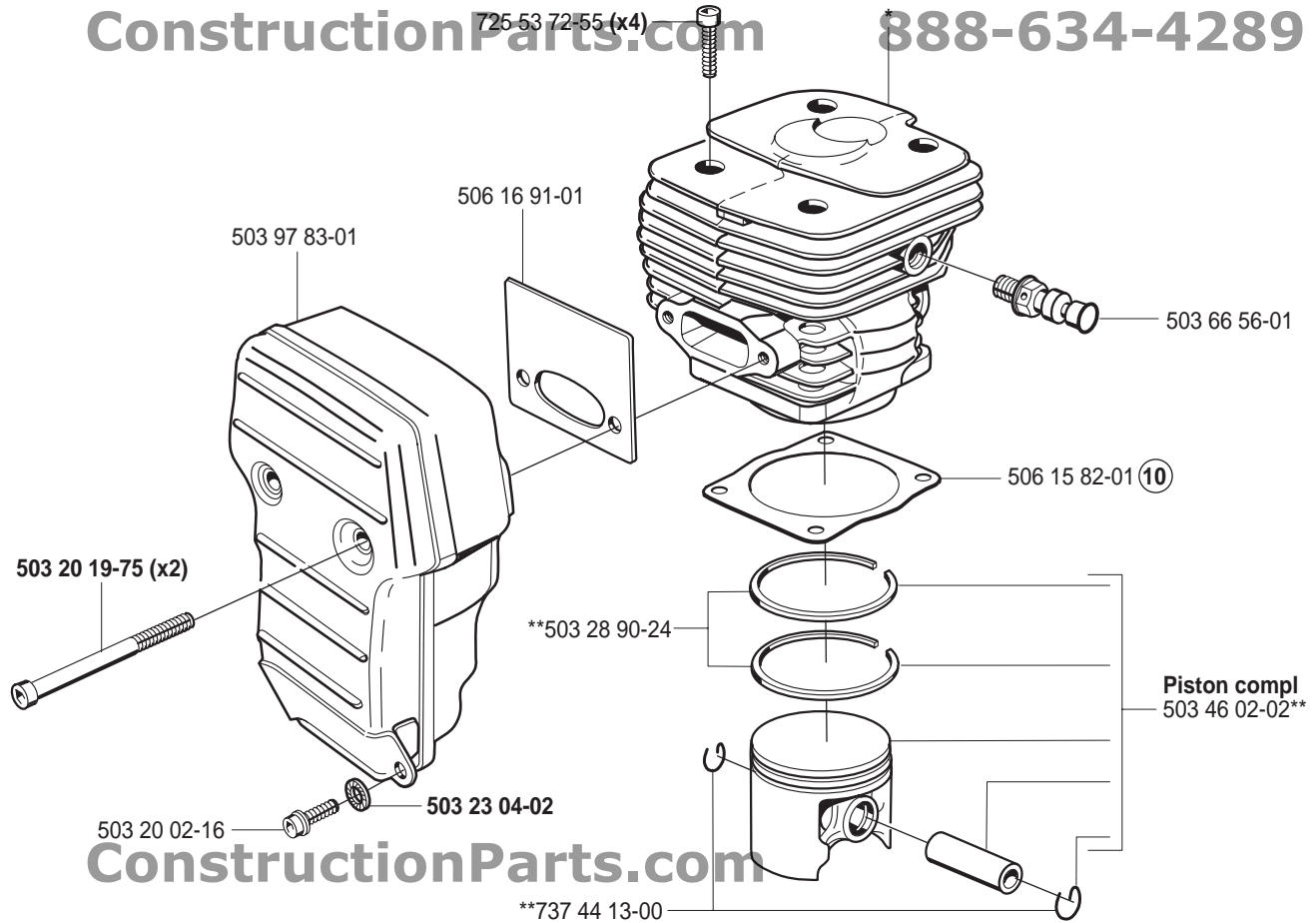


compl 506 21 68-11*

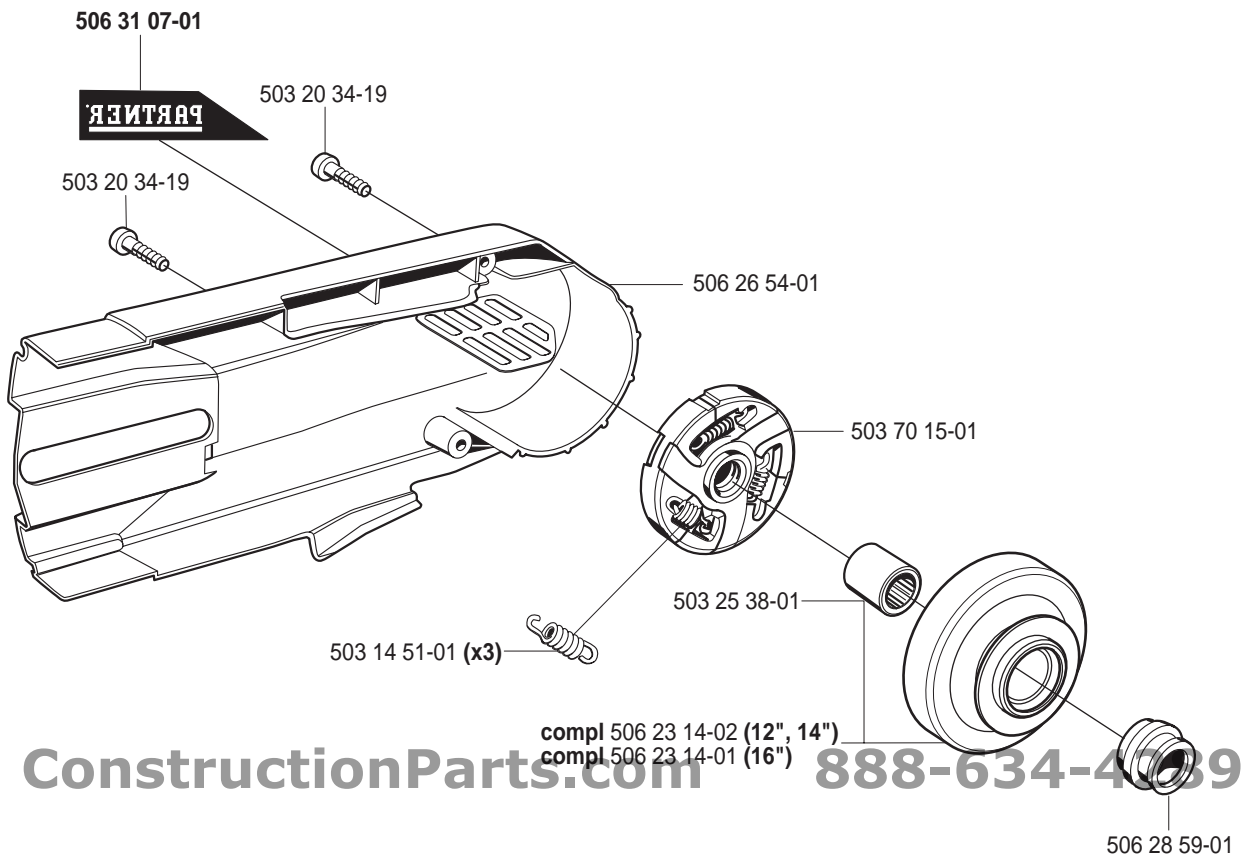
Fuel filter compl 506 26 41-11**

C Cylinder and piston compl 506 15 55-06*

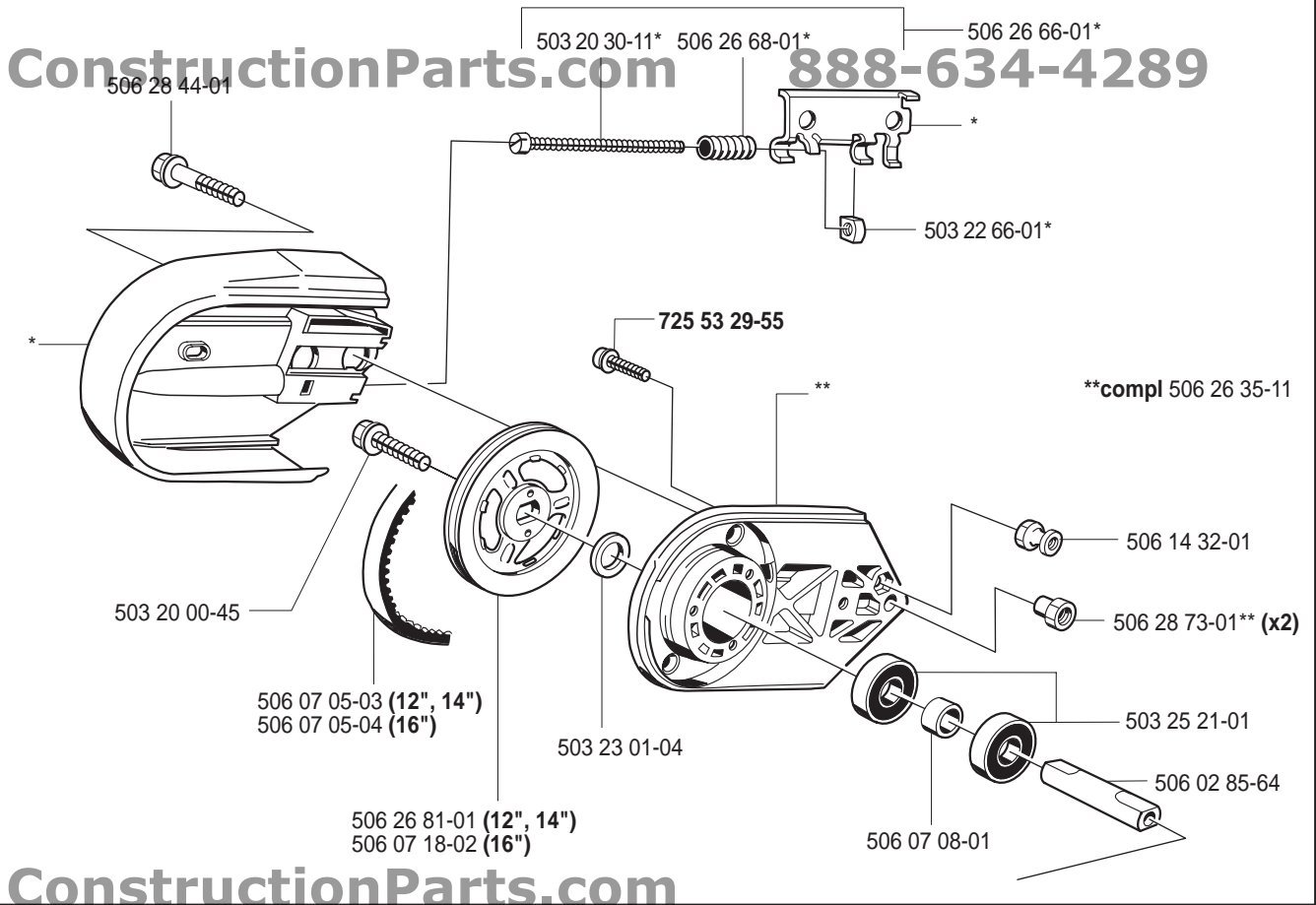
ConstructionParts.com 888-634-4289



D

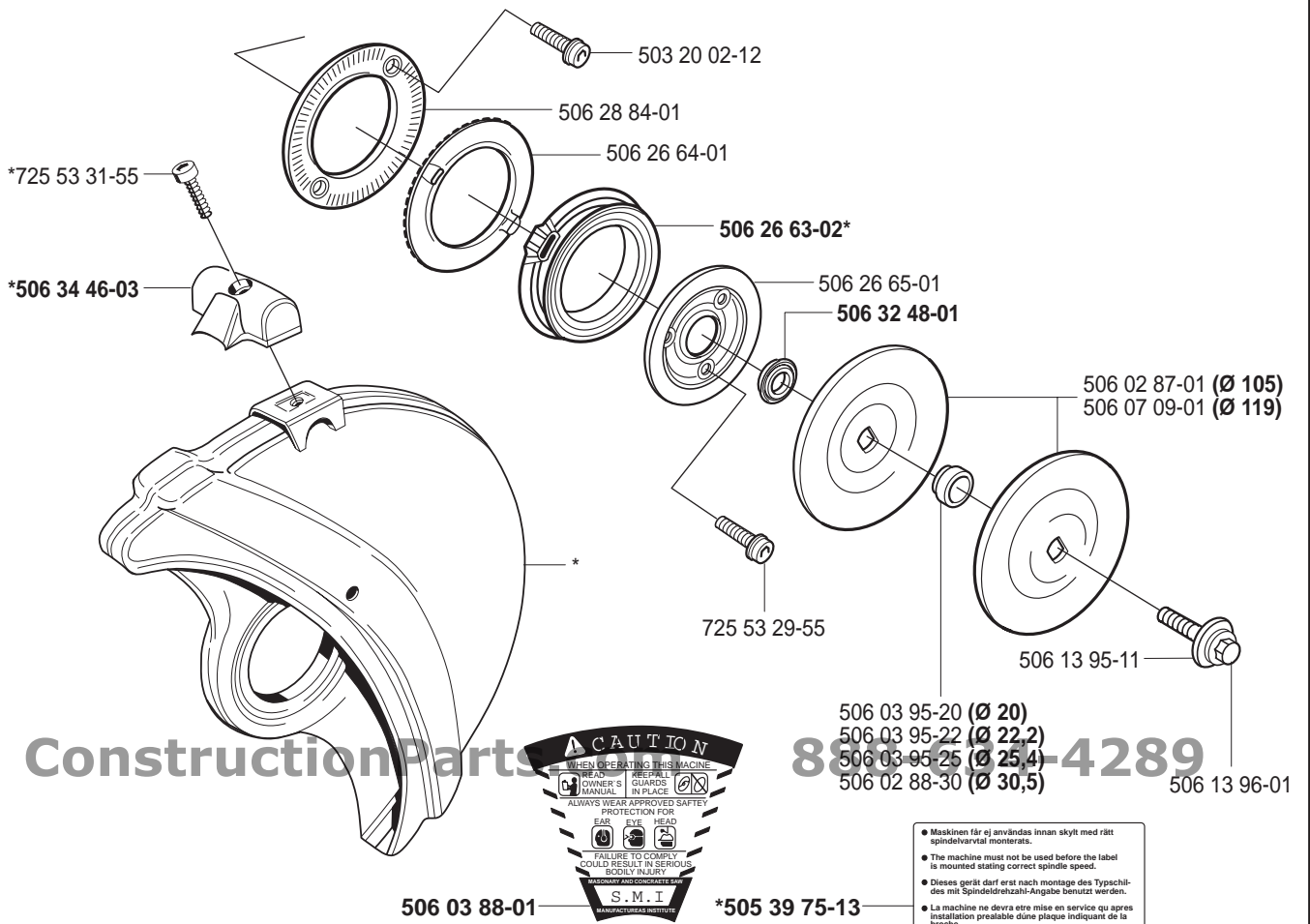


E *compl 506 27 93-01, (12", 14")
 *compl 506 27 92-01, (16")



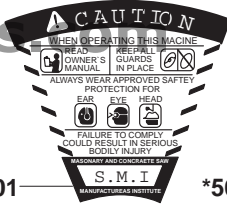
ConstructionParts.com

F *compl 506 29 02-12 (12")
 *compl 506 34 05-14 (14")
 *compl 506 29 02-16 (16")



ConstructionParts.com

888-634-4289

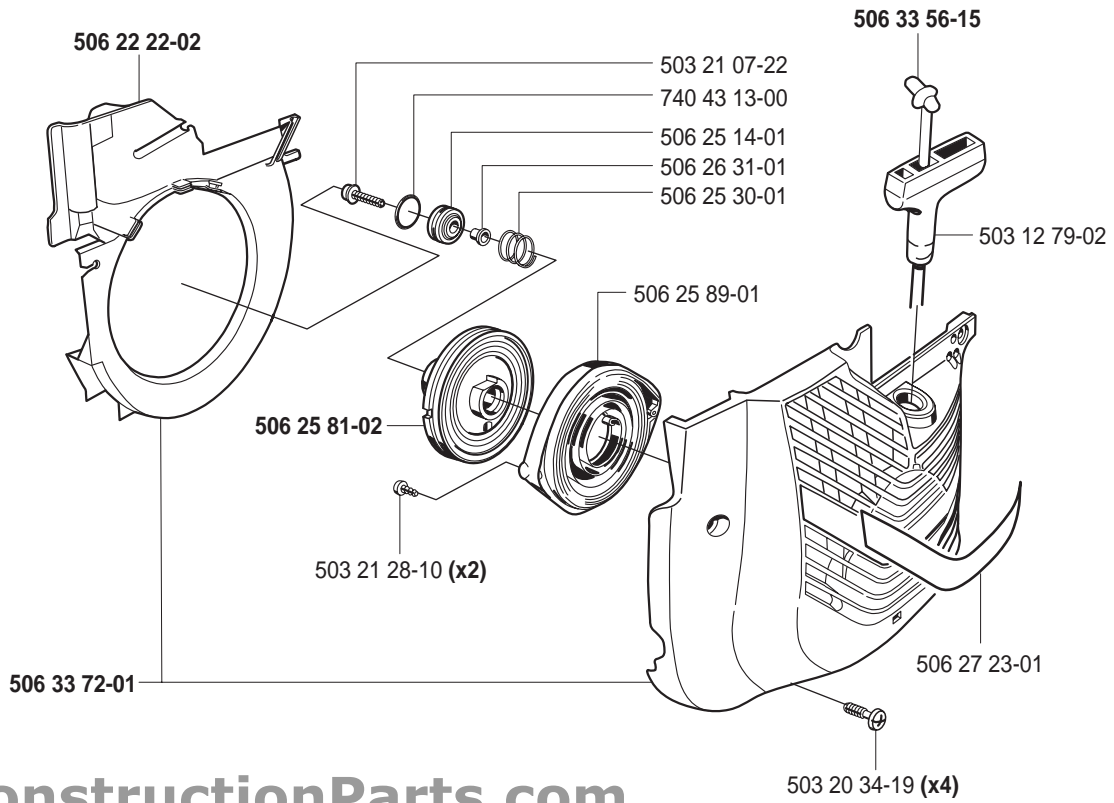


- Maskinen får ej användas innan skydd med rätt spindelvarvtal monterats.
- The machine must not be used before the label is mounted stating correct spindle speed.
- Dieses Gerät darf erst nach montage des Typschildes mit Spindelrehzahl-Angabe benutzt werden.
- La machine ne devra être mise en service qu'après installation préalable d'une plaque indiquant de la broche.

G Starter compl 506 23 59-03

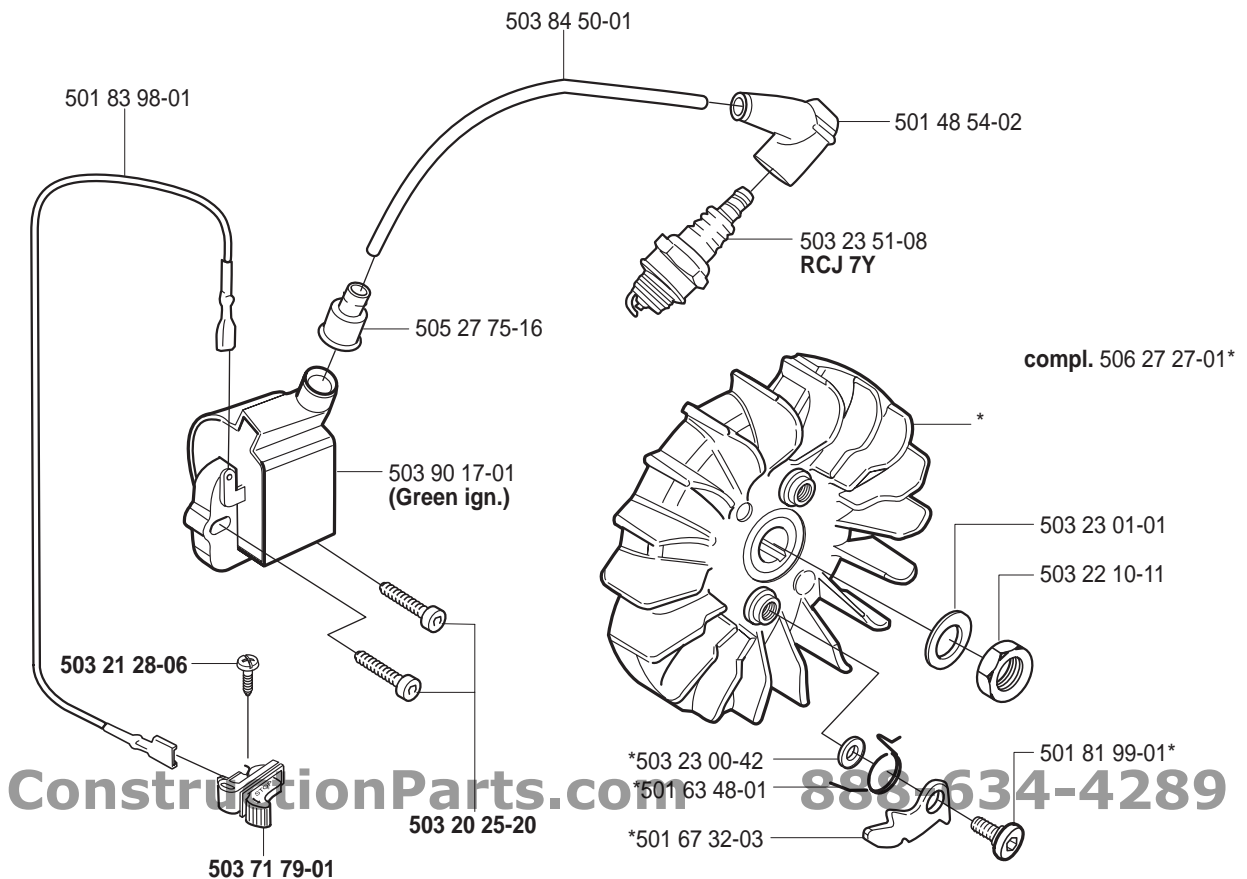
ConstructionParts.com

888-634-4289



ConstructionParts.com

H



ConstructionParts.com

888-634-4289

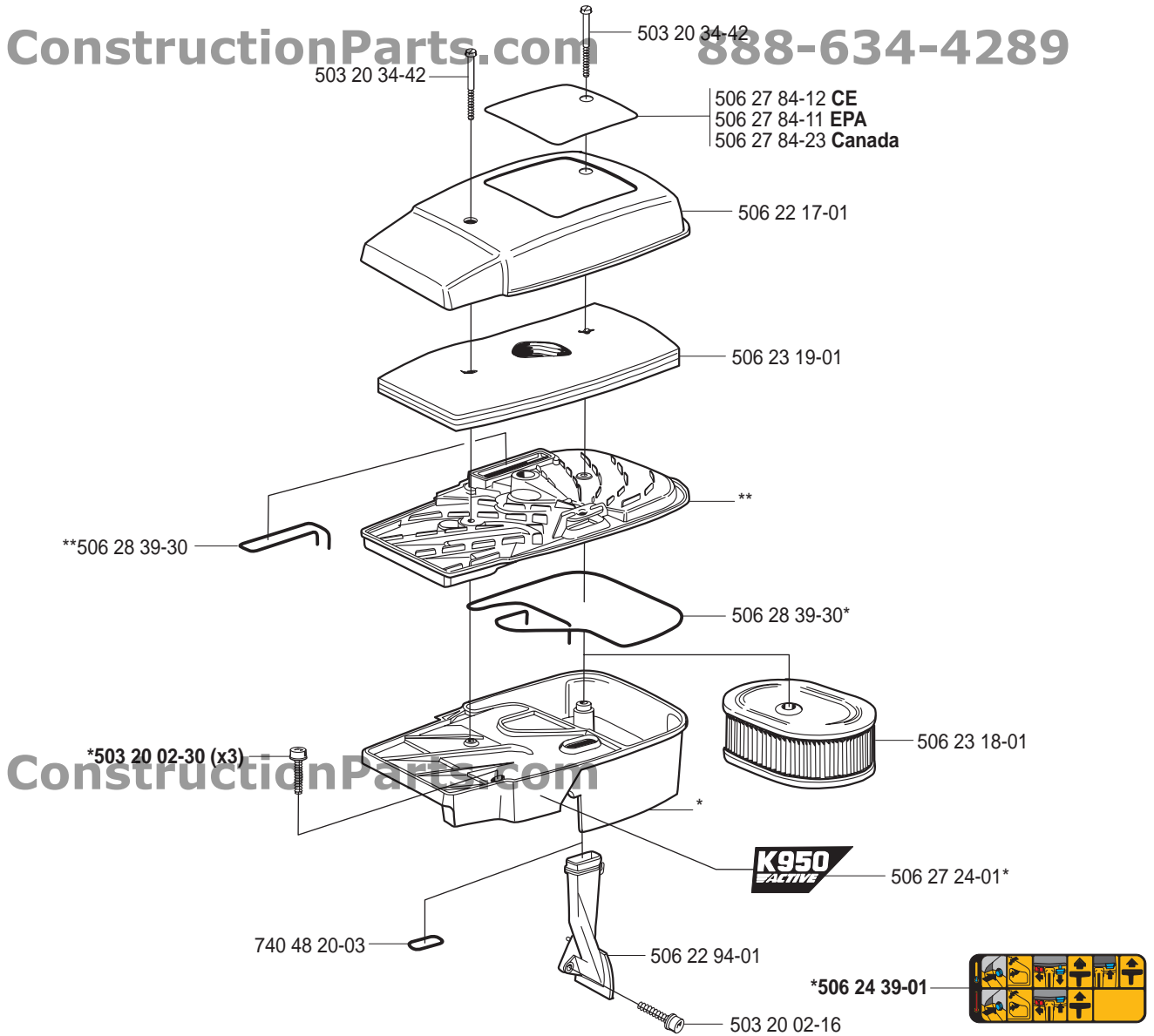
J

*compl 506 22 16-12

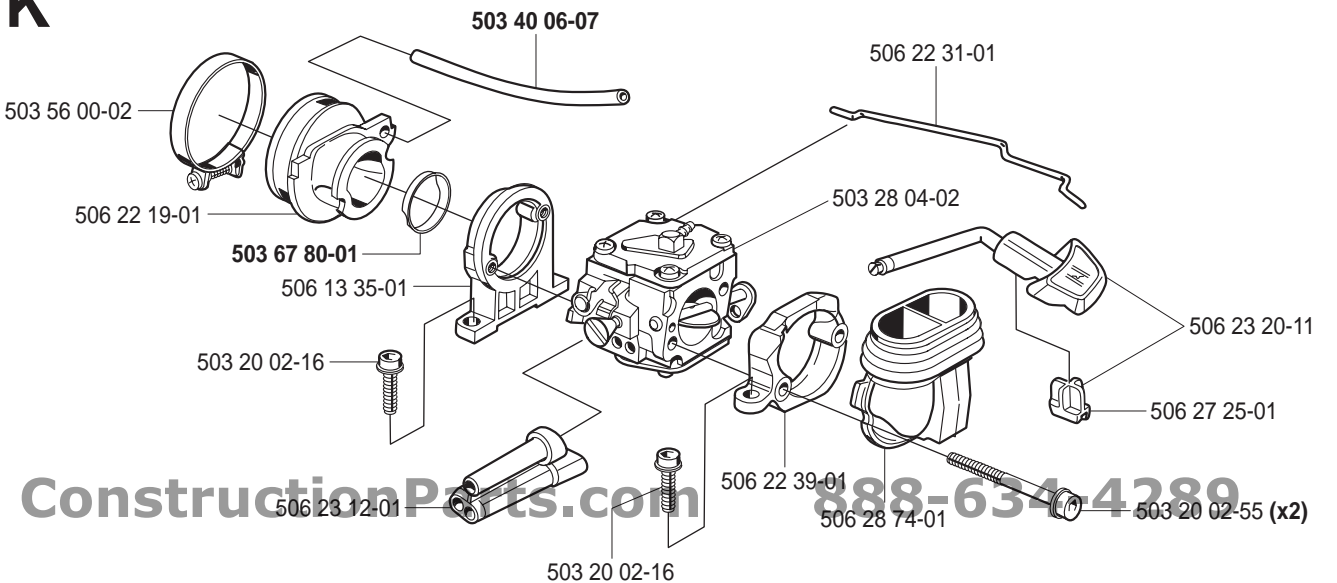
**compl 506 22 18-11

ConstructionParts.com

888-634-4289



K



ConstructionParts.com

888-634-4289

L

ConstructionParts.com

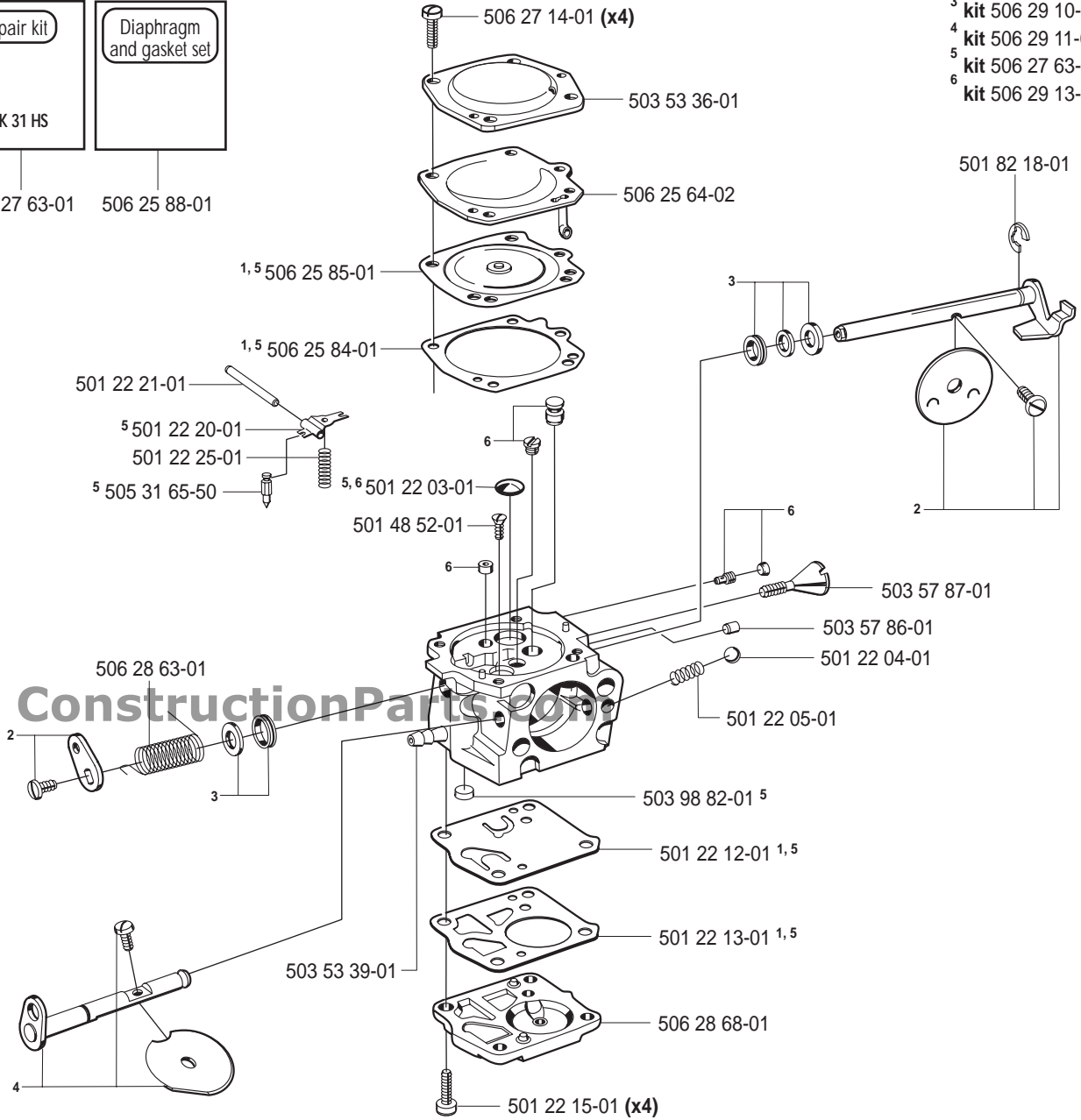
888-634-4289

- 1 kit 506 25 88-01
- 2 kit 506 29 09-01
- 3 kit 506 29 10-01
- 4 kit 506 29 11-01
- 5 kit 506 27 63-01
- 6 kit 506 29 13-01

Repair kit
 RK 31 HS

Diaphragm
 and gasket set

506 27 63-01 506 25 88-01



M

PARTNER
 Packningssats
 Gasket set
 Dichtungssatz

506 29 05-01 (10)



501 69 17-02

ConstructionParts.com

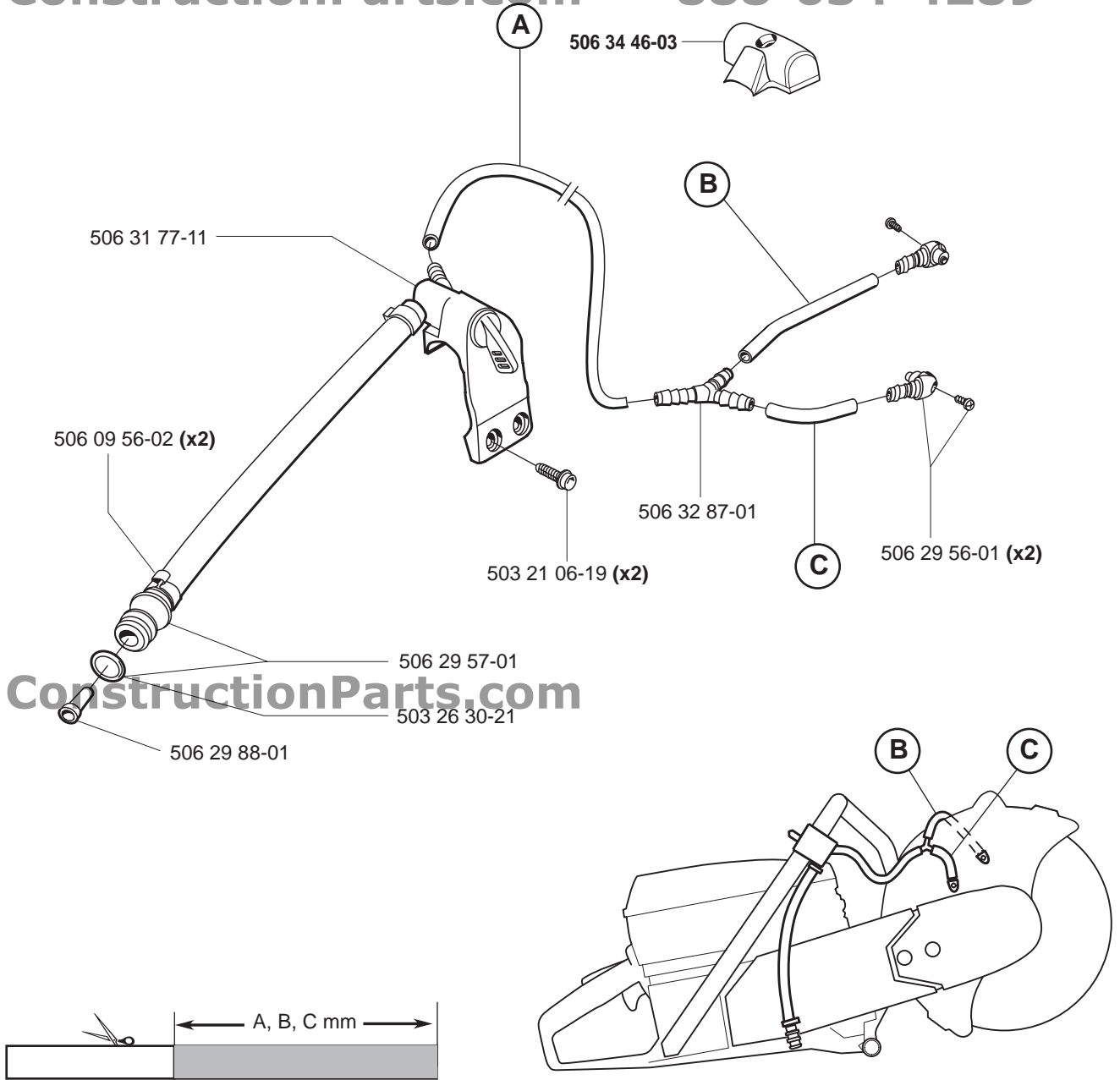
888-634-4289

N

Wet cutting kit 506 32 89-03

ConstructionParts.com

888-634-4289



Product		A (mm)	B (mm)	C (mm)
K650A-II	12"	270	210	45
K700A-II	14"	270	300	45
K950A	12"	240	45	240
	14"	240	45	280
	16"	270	45	350
K1250A	14"	280	45	280
	16"	270	45	350
K2500	16"	240	350	45
K30	12"	270	210	45
K40	14"	240	300	45

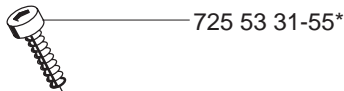
888-634-4289

P *compl 506 29 02-24

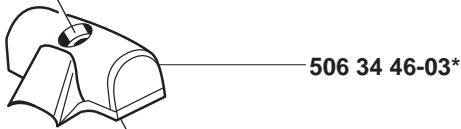
Rescue

ConstructionParts.com

888-634-4289

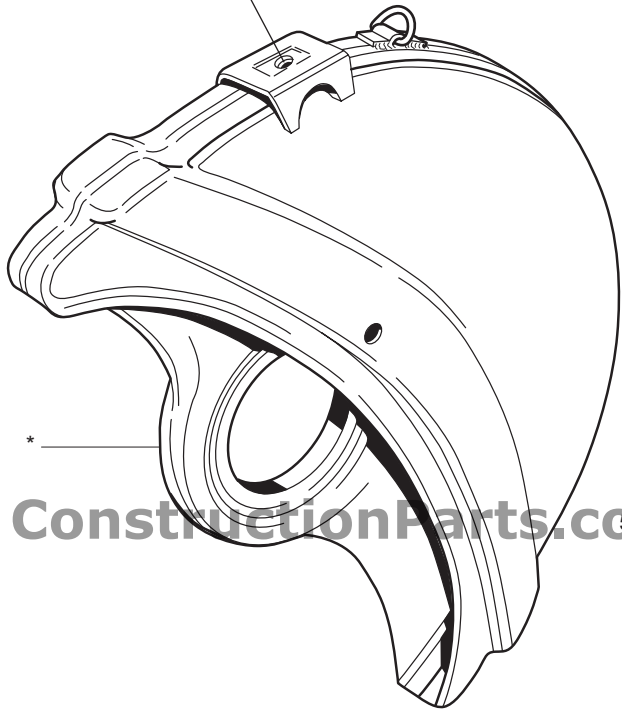


*506 30 23-01



*506 30 24-01

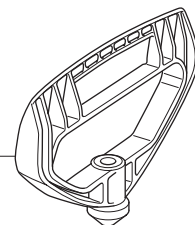
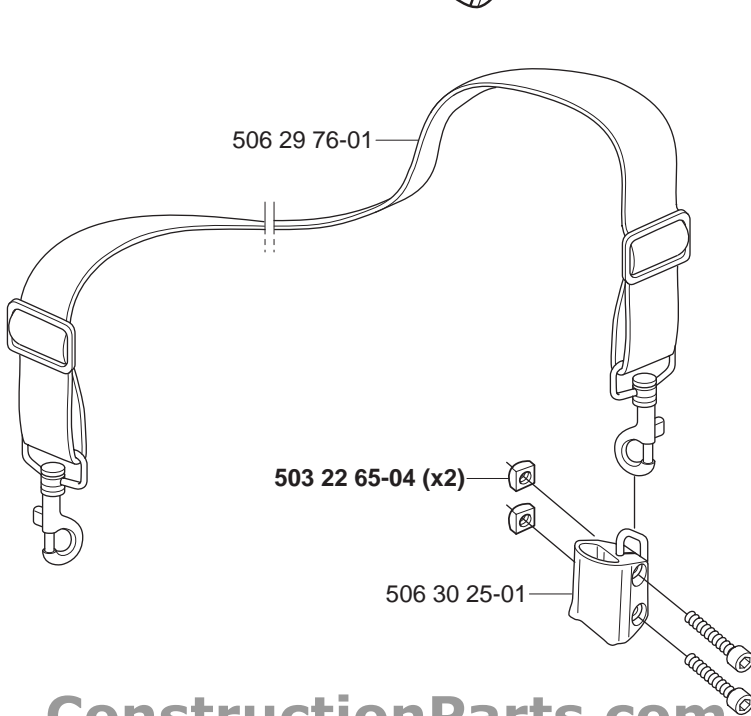
PARTNER K950 *Rescue*
Max 5400 rpm
Ø 25,4(Ø1") - Ø350(Ø14")



ConstructionParts.com

506 29 76-01

506 29 75-01



ConstructionParts.com

888-634-4289