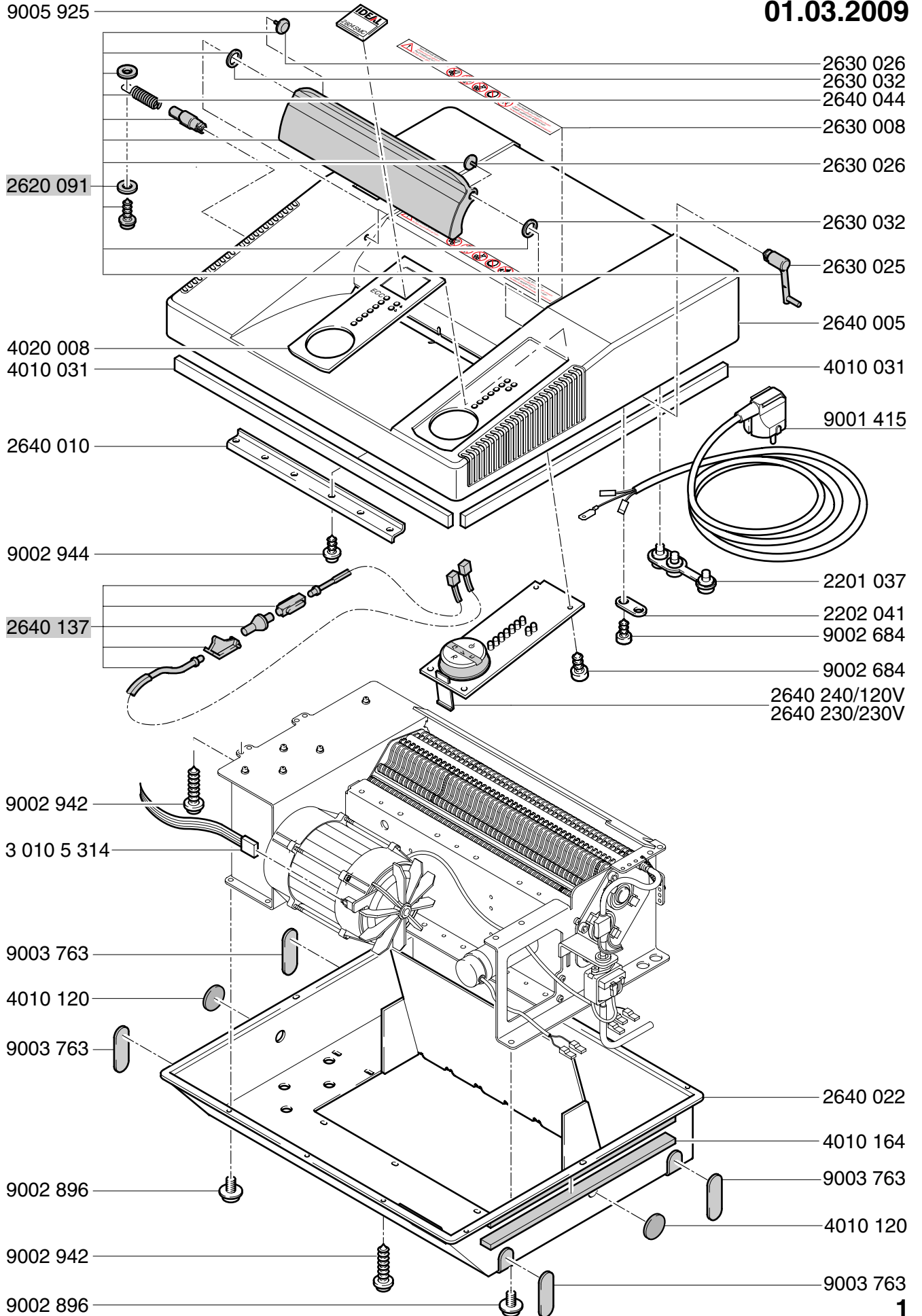


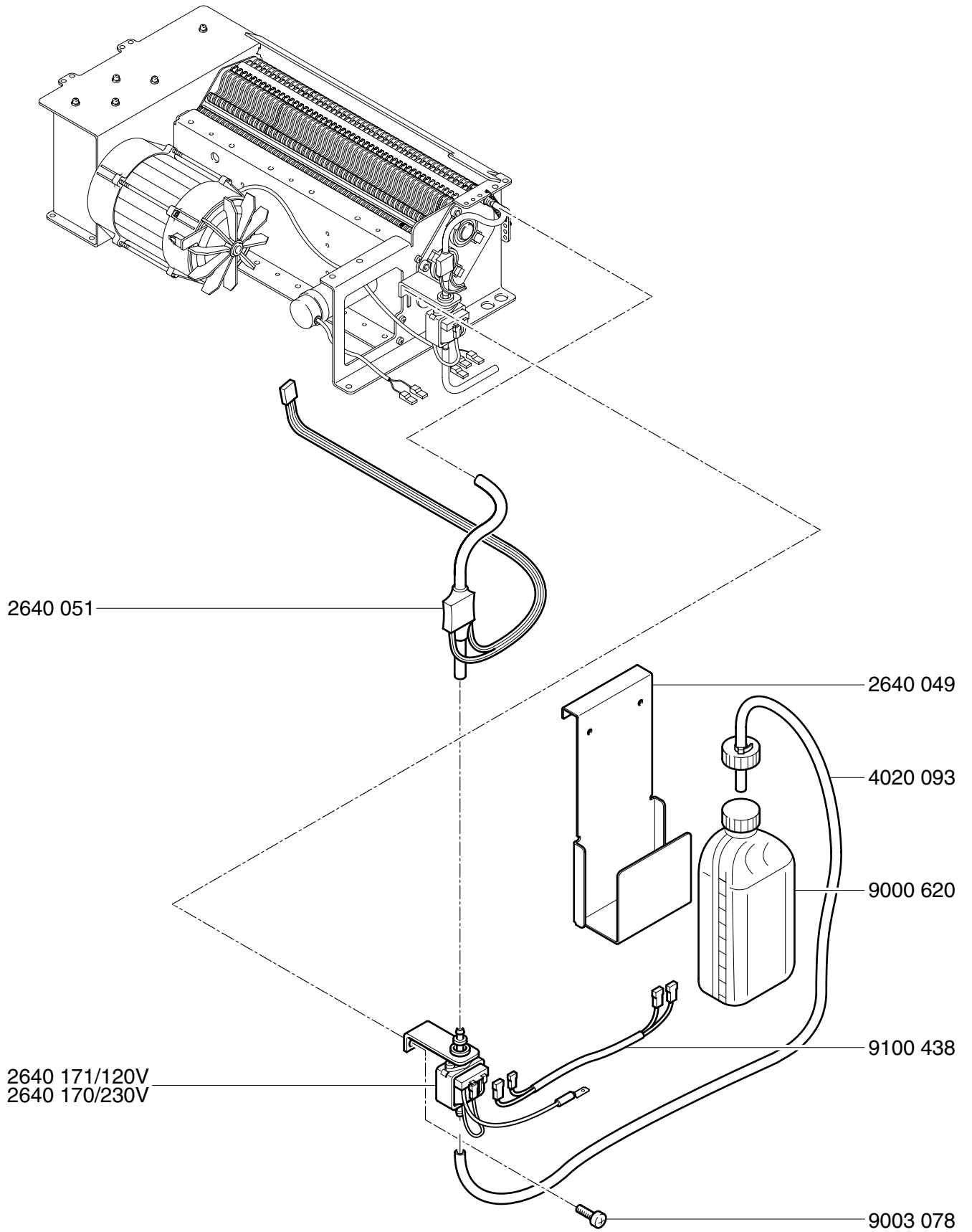
Mod.2604 Oil A

01.03.2009

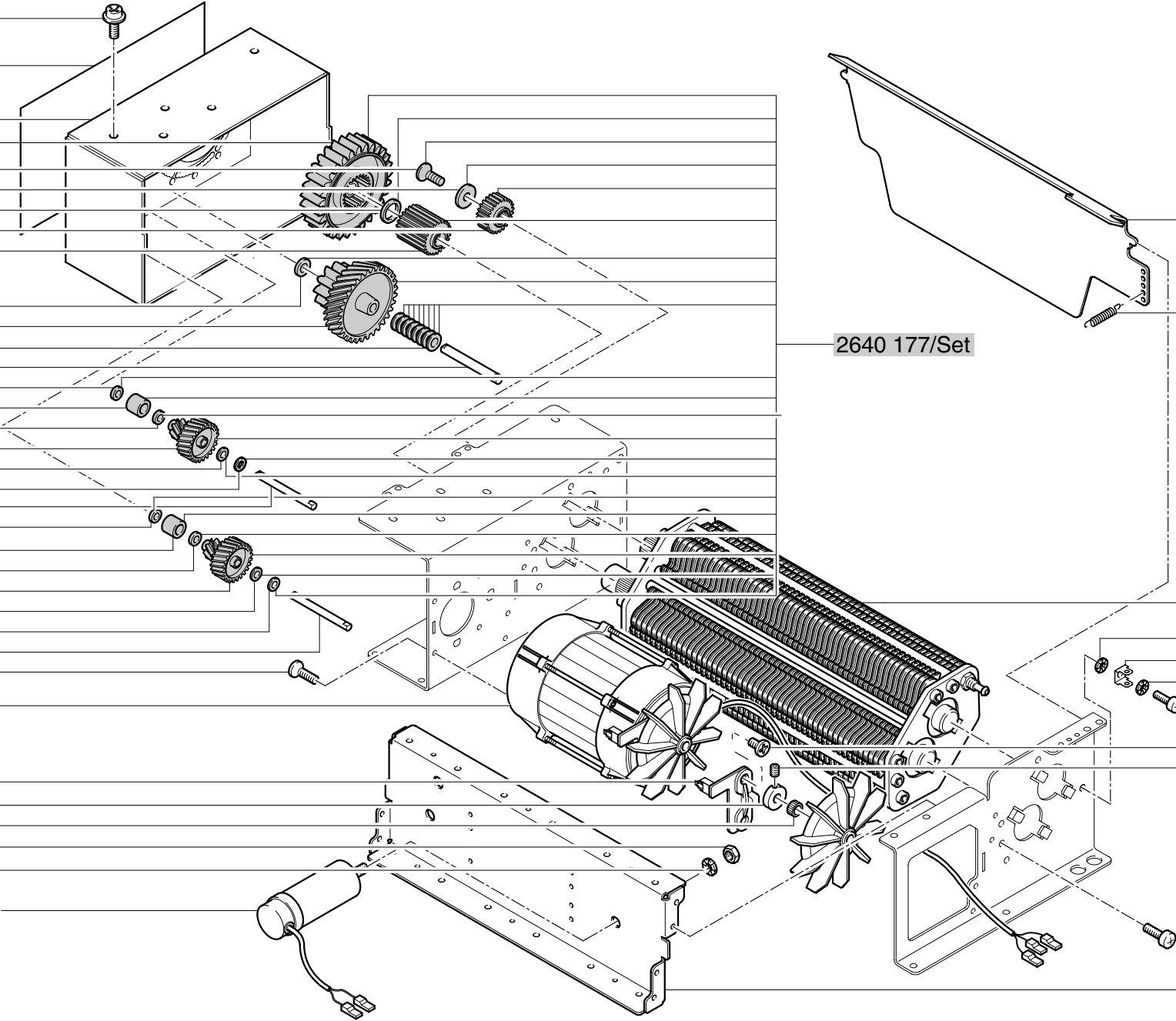


Mod.2604 Oil A

01.03.2009



- 9002 896
- 4010 084
- 4010 007
- 2640 026
- 9002 513
- 2205 513
- 9003 965
- 2640 009
- 2640 008
- 9004 550
- 4010 028
- 9004 550
- 2640 207
- 9004 549
- 4010 044
- 9004 549
- 2610 011
- 9004 549
- 9004 557
- 2640 208
- 9004 549
- 4010 044
- 9004 549
- 2610 011
- 9004 549
- 9004 557
- 2640 208
- 9005 909
- 9005 884/120V
- 9005 869/230V
- 2640 061
- 2640 014
- 9005 932
- 9001 506
- 9005 792
- 9001 442/230V
- 9001 441/120V



2640 177/Set

2640 025

9002 808

2640 194

9001 563

9005 567

9001 563

9003 084

9002 300

9004 412

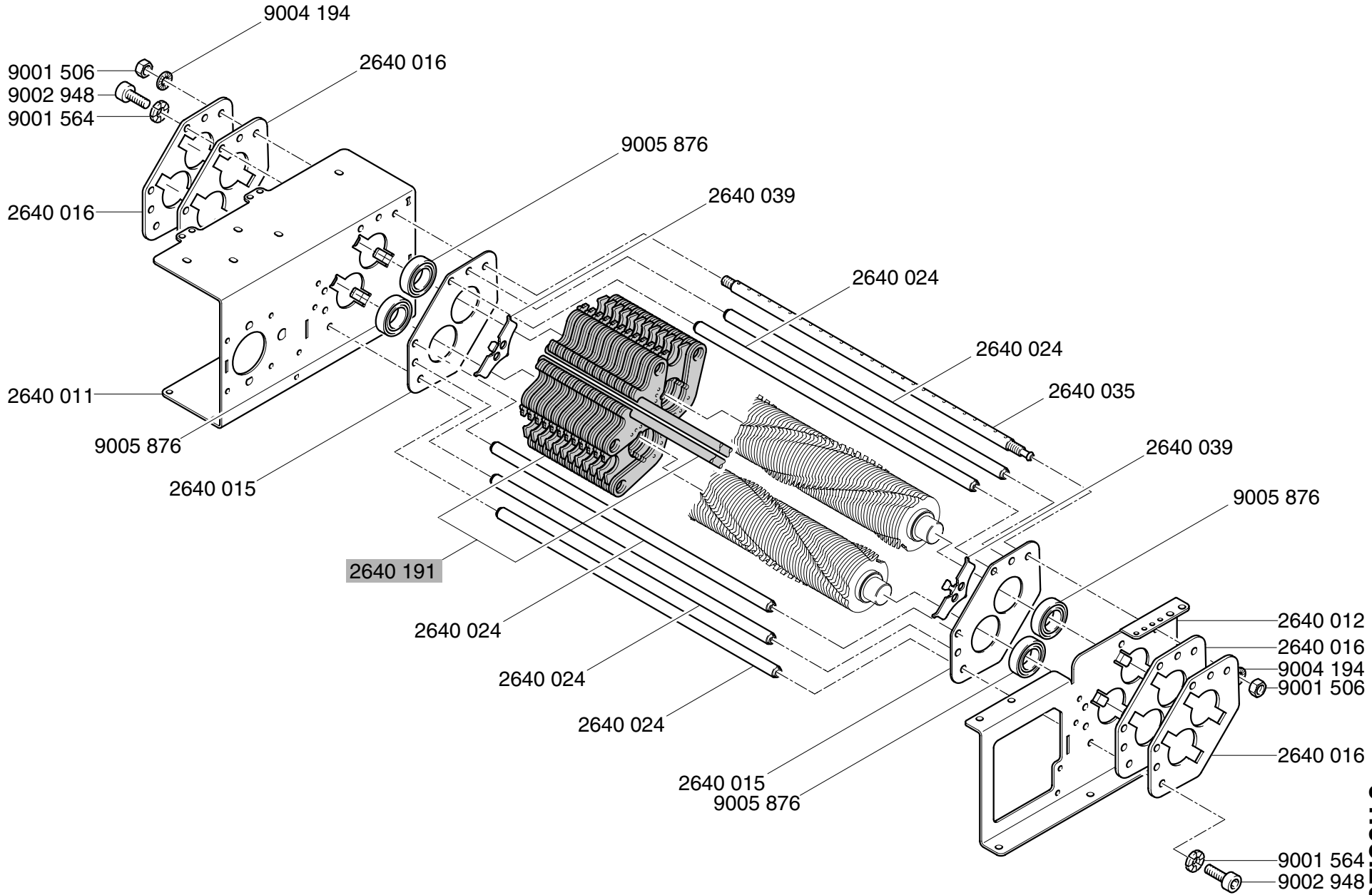
9003 078

2640 013

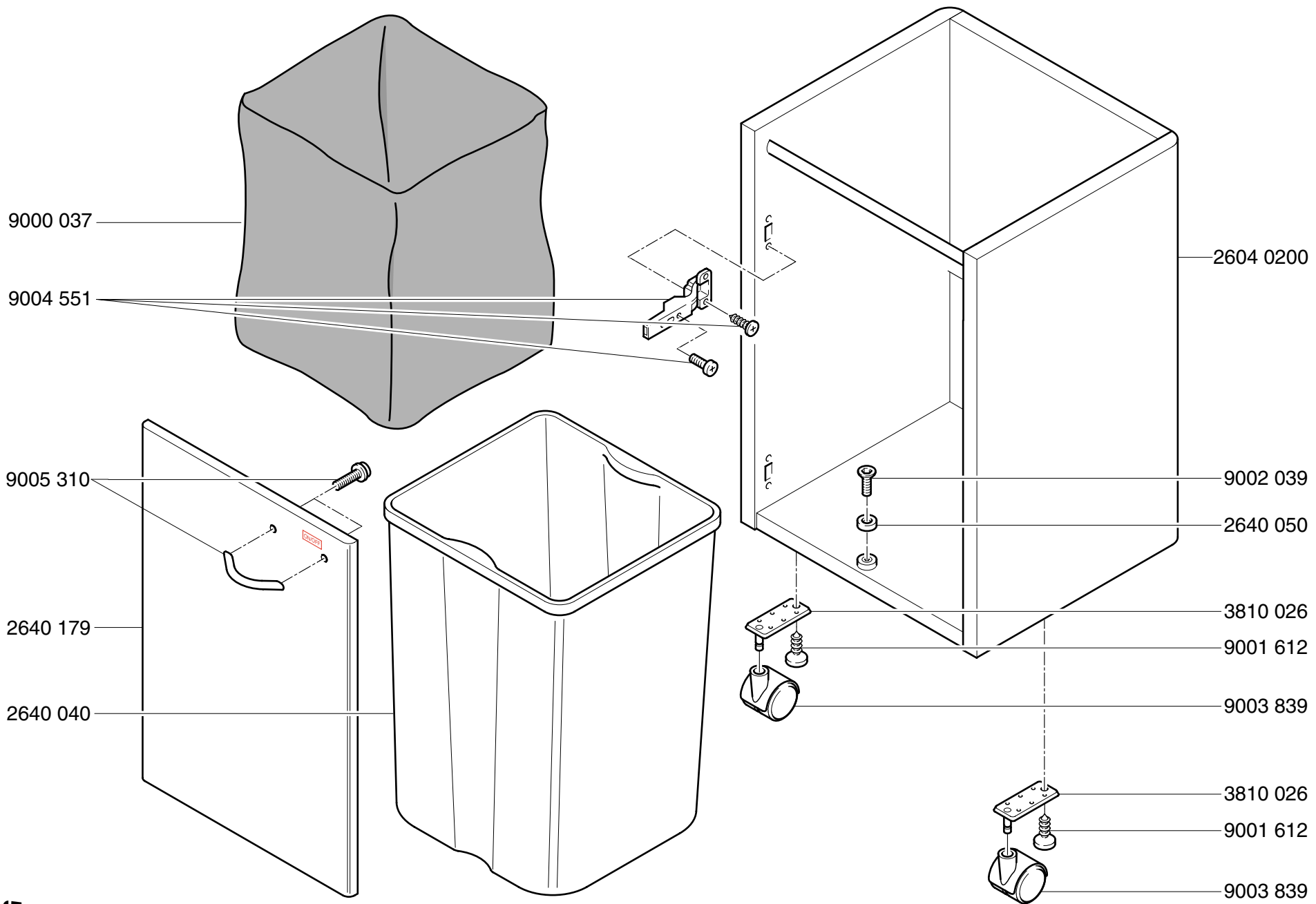
Mod. 2604 Oil A

CROSS / CUT 0,8x5mm

01.03.2009



Mod. 2604 Oil A
 CROSS / CUT
 0,8x5mm
 01.03.2009



Mod. 2604 Oil A
 CROSS / CUT
 0,8x5mm
 01.03.2009

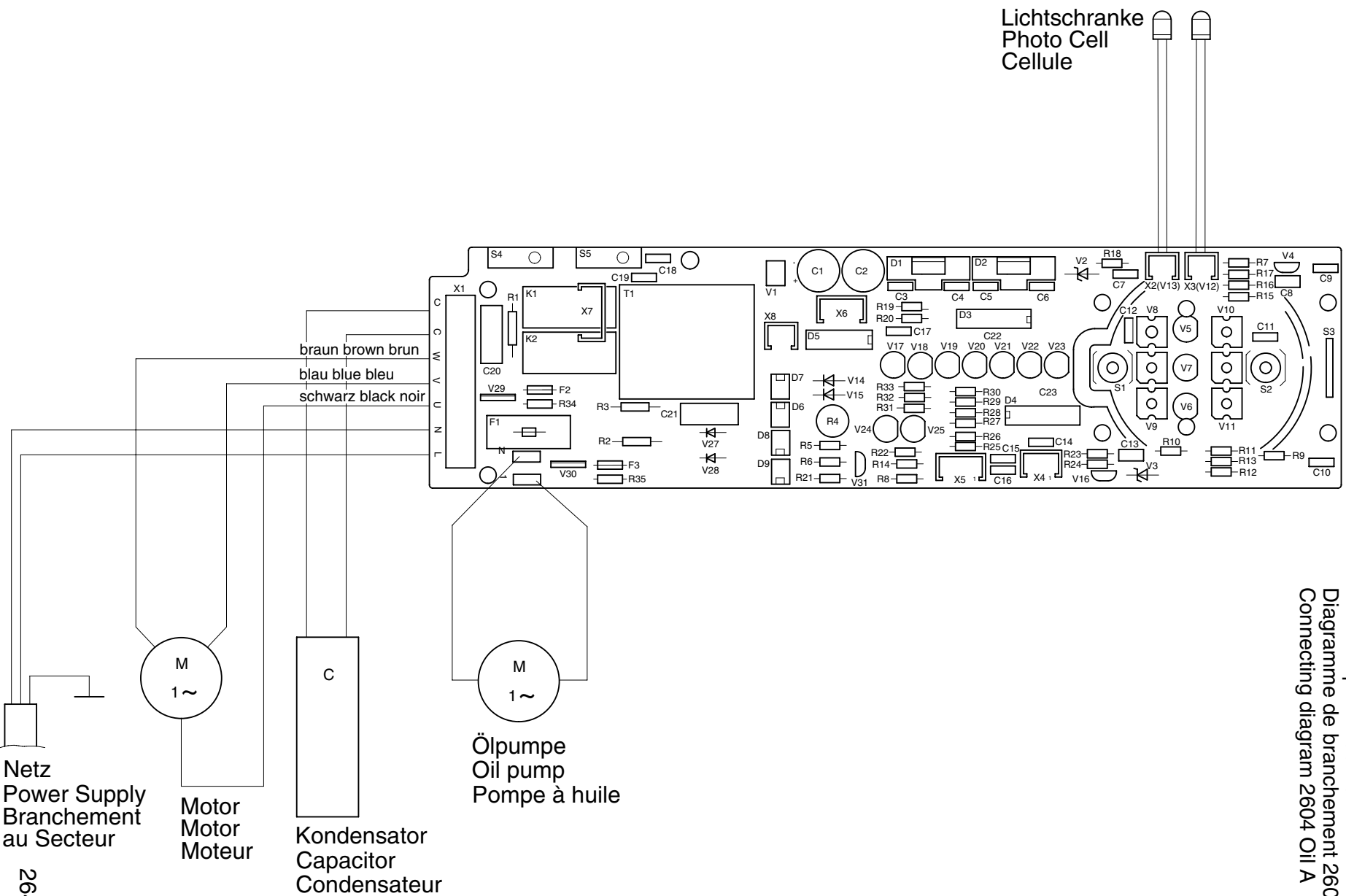
CROSS / CUT Mod. 2604 Oil A

0,8x5mm

01.03.2009

Anschlußplan 2604 Oil A
 Diagramme de branchement 2604 Oil A
 Connecting diagram 2604 Oil A

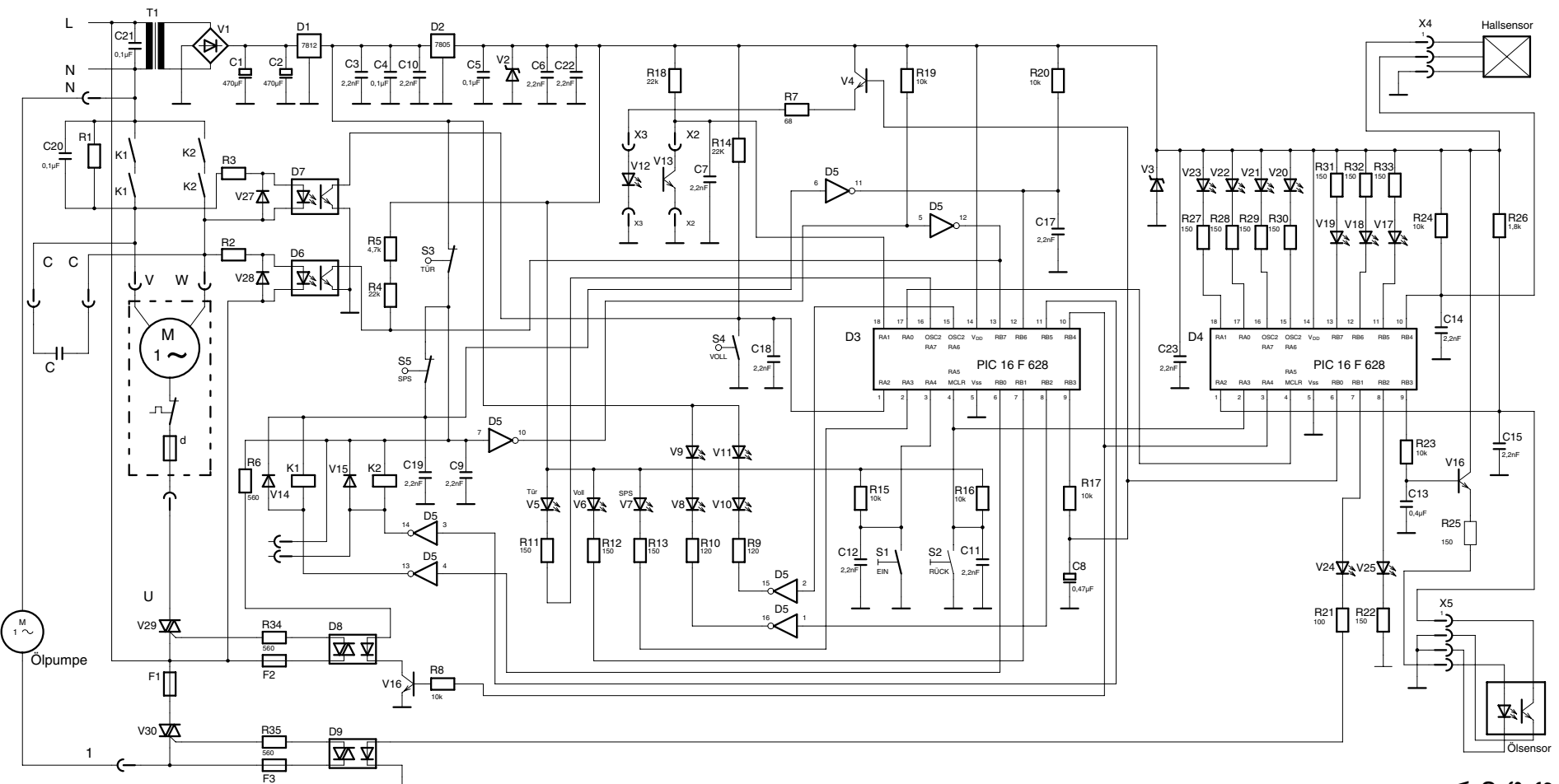
Lichtschranke
 Photo Cell
 Cellule



CROSS / CUT 0,8x5mm Mod. 2604 Oil A

01.03.2009

Stromlaufplan 2604 Oil A
 schema de
 circuit électrique 2604 Oil A
 wiring diagram 2604 Oil A



2640 174