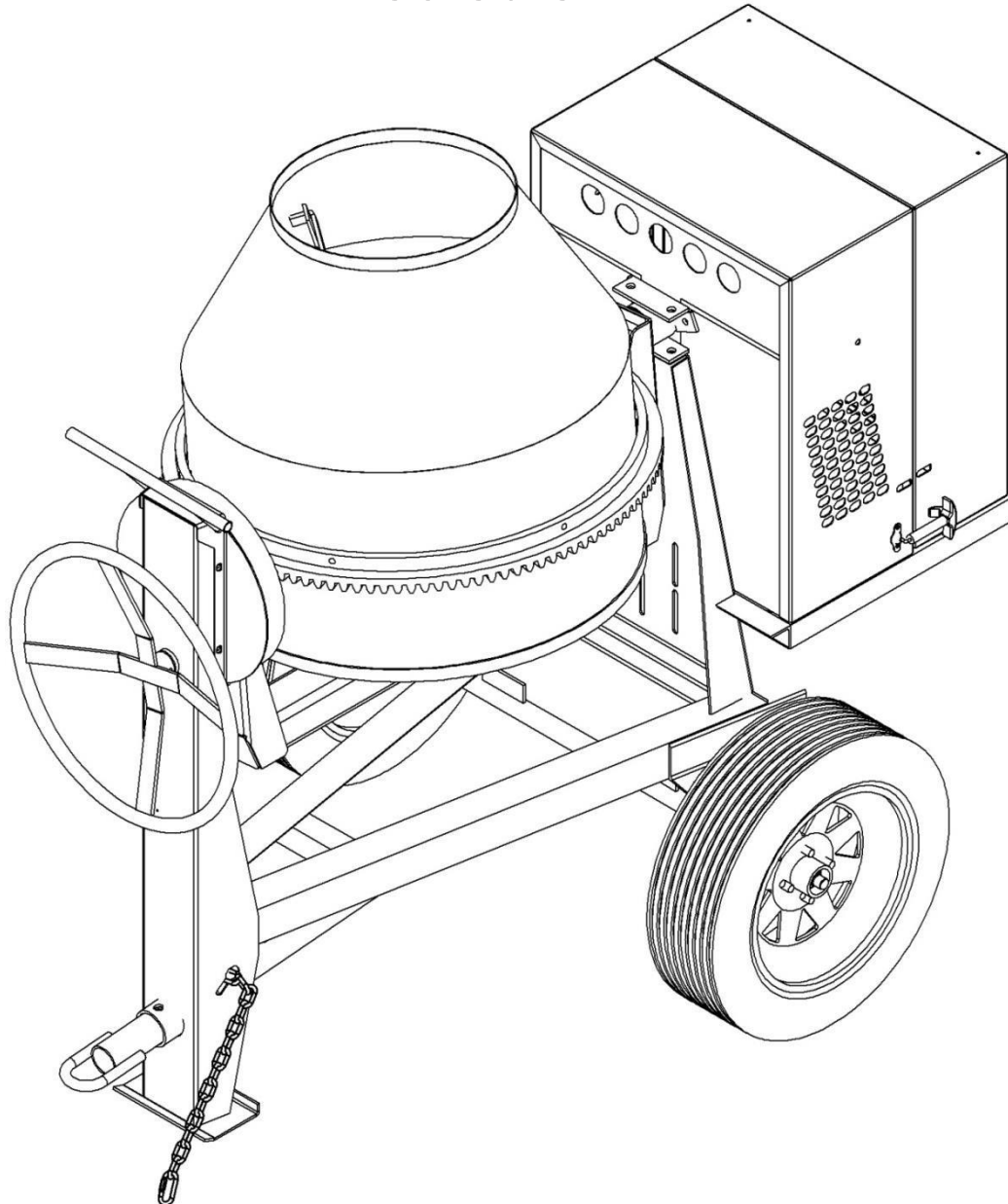


# REPAIR PARTS MANUAL CONCRETE MIXERS C6-C9-C12

SERIES	CM-Mech
BULLETIN No.	200097R7
SUPERSEDES	200087R8
DATE	Mar 2015

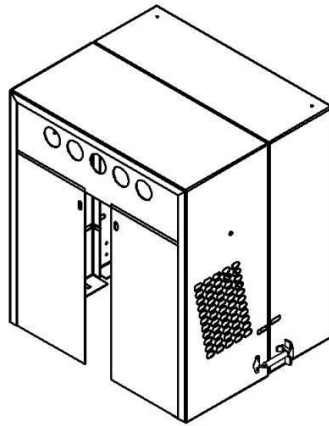
Last Rev: NOV 2020



**CROWN**  
CONSTRUCTION EQUIPMENT

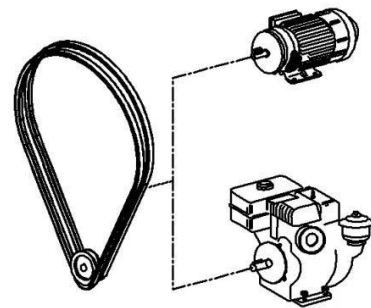
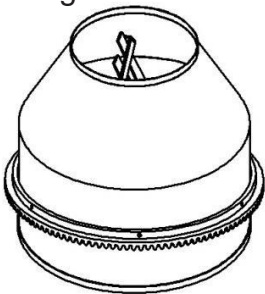
\*When ordering parts please always specify the model and serial number of the mixers as a reference.

# CONCRET MIXERS C6-C9-C12 (V-FRAME)



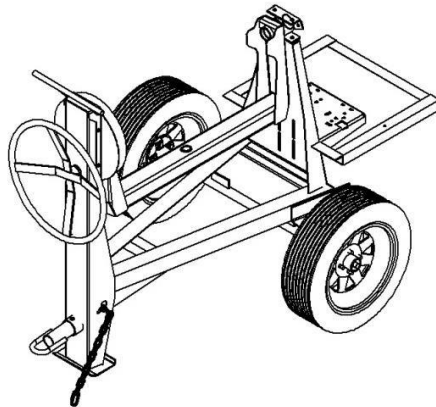
HOOD  
Page 7

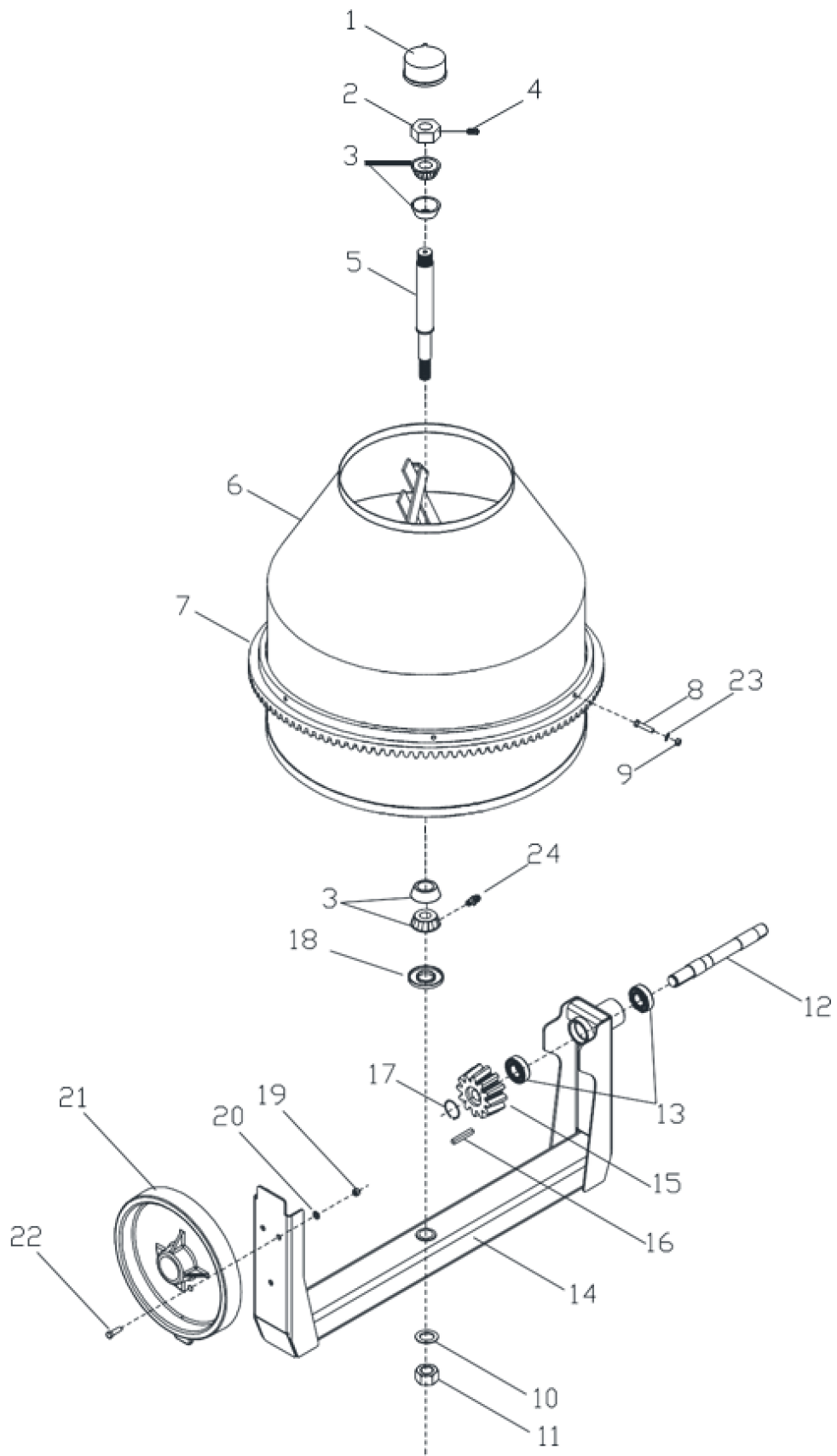
DRUM  
Page 3



DRIVE  
Page 8

FRAME  
Page 4



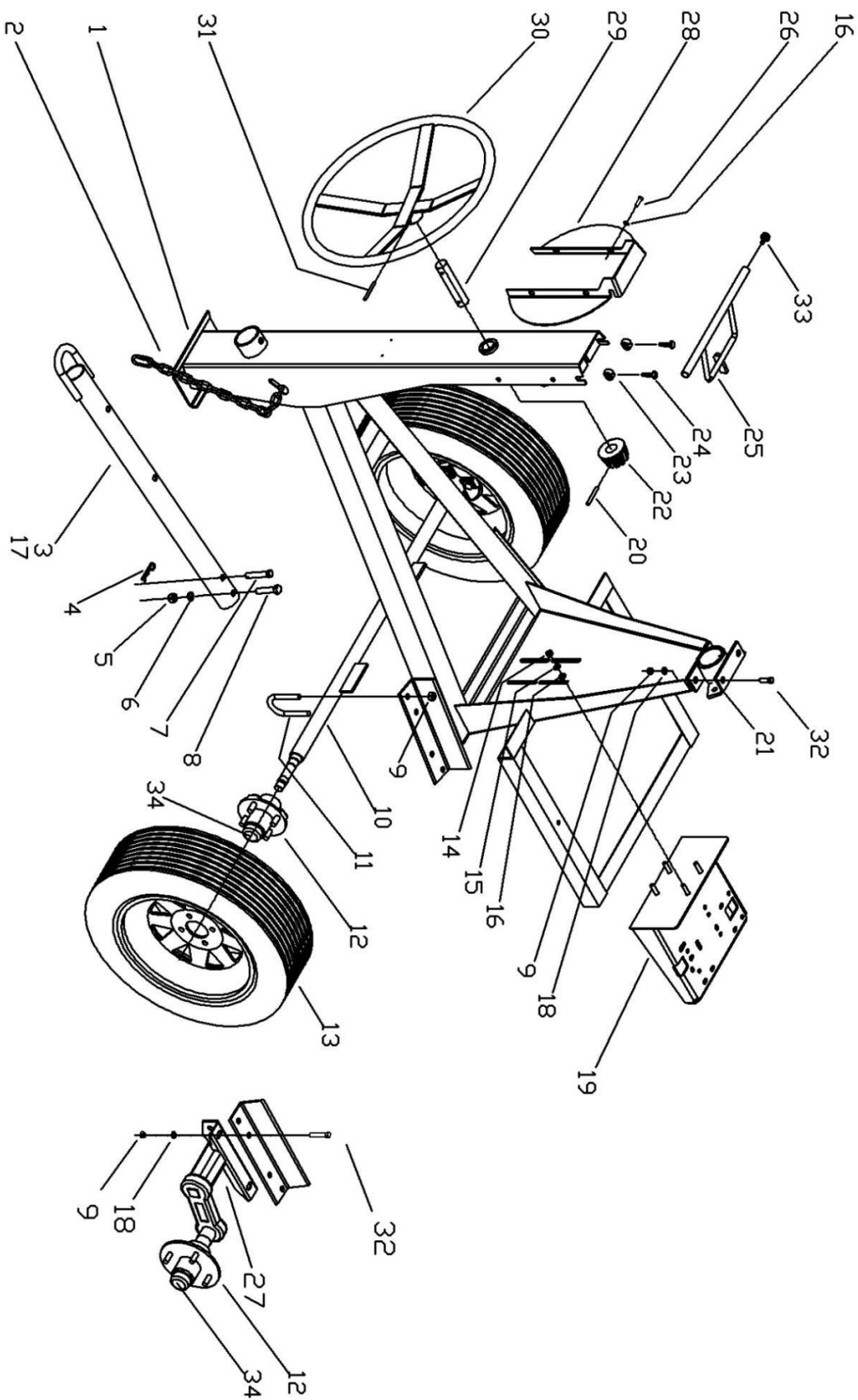


\*When ordering parts please always specify the model and serial number of the mixers as a reference.

DRUM ASSEMBLY				Models		
#	SKU #	ID #	DESCRIPTION	C6	C9	C12
1	0100FG01TQ	702033	CM INSIDE DRUM CM CAP - C118 - 702033	1	1	1
2	TCCN138MAQ	701036	HEX NUT, 1-3/8" - C117 - 701036	1	1	1
3	0000BA2788	701014	BALL BEARING, TRB CO&SL 4T-LM67048L (W/ CUP BA2788/20) - C150 - 701014	2	2	1
3	0000BA104949	701015	BALL BEARING, LM104949 FOR CM - C171 - 701015 (BEFORE 2012 CM12V	-	-	1
4	OPCR038012	702072	ALLEN SCREW 3/8 X 1/2 - 702072 - C116	1	1	1
4	0900CR01TQ-01	702034	SHAFT, BOWL C6-C9 OLD STYLE 13"L - 702034 (2010-2011)	1	1	-
5	0900CR01TQ	702035	BOWL SHAFT, C6-C9 & C12 X 12"L (NO SEAL) - 702035	1	1	-
5	0905CR01TQ	702036	BOWL SHAFT, C12 X 11-3/16" - 702036 FOR (1) BA104949 (2010-2012) & (2018)	-	-	1
6	0171CO01TQ	702037	BARE DRUM CM7/C6 (W/ PADDLES) - C119 - 702037 - FITS V&T	1	-	-
6	0902KI01TQ-1	702032	C6-V COMPLETE DRUM ASSEY (YOKE, SHAFTS, BEARING & RING GEAR) - 702032	1	-	-
6	0172CO01TQ	431479	CM9/C9 BARE DRUM (W/ PADDLES) - C120 - 431479 - FITS V&T	-	1	-
6	0904KI01TQ-1	702031	C9-V COMPLETE DRUM ASSEY (YOKE, SHAFTS, BEARING & RING GEAR) - 702031	-	1	-
6	0173CO01TQ	702039	CM12/C12 BARE DRUM (W/ PADDLES) - C121 - 702039 - FITS V&T	-	-	1
6	0905KI01TQ-1	702030	C12-V COMPLETE DRUM ASSEY (YOKE, SHAFTS, BEARING & RING GEAR) - 702030	-	-	1
7	0100FG02TQ	702040	RING GEAR (115 TH 32-7/8" DIA) ALL CM - C122 - 702040	1	1	1
8	TOCD038112	226230	HEX BOLT 3/8" X 1-1/2" - T176 - C141 - 226230	6	6	6
9	TCCS038GAL	227830	HEX LOCK NUT 3/8" - 227830 - T114 - C142	6	6	6
10	RNRX100GAL	176290	SPRING WASHER, 1" - 176290 - C511	1	1	1
11	TCCN100GAL	227920	HEX NUT, 1" - 227920	1	1	1
12	0900CR01YU	702041	DRIVE SHAFT C6-C9/C9P-C12 (9-11 X 16"L) - 702041	1	1	1
13	0000BA6205	701016	BALL BEARING, 6205 - C154 - 701016 (JEL205-100W3)	2	2	2
14	0900CO01YU	702042	C6 - C9 DRUM YOKE (V-FRAME) - 702042	1	1	-
14	0905CO01YU	702043	C12 YOKE ASSEY (V-FRAME) - 702043	-	-	1
15	0100FG02YU	702068	PINION 12 TOOTH (FOR NEW CM) - 702068 - C123	1	1	1
16	0170CC01MO	701027	KEY 1/4 X 1-1/4 - 701027 - C152 - T483 - 0000CU01TR	1	1	1
17	SM00156EXT	701029	RETAINING OMEGA RING - 1-15/16" - 701029 - C151	1	1	1
18	0100RF01TQ	702126	CM-T BOWL SHAFT OIL SEAL TC38X80X8 - C532 - 2017	1	1	1
19	TCCS012GAL	227854	HEX LOCK NUT 1/2" - T106 - 227854 - C304 - C173	3	3	3
20	RNPX012GAL	174470	PLAIN WASHER 1/2" - T105 - C172 - 174470	3	3	3
21	N/A	496760	C6-C12 TILTING GEAR (V-FRAME)	1	1	1
22	TOCD012114	226640	HEX BOLT HD 1/2 X 1-1/4 - 226640	3	3	3
23	0170LA01TR	701032	SPRING WASHER 3/8" - C140 - C701032	6	6	6
24	0000GRH200	110680	FTG, GREASE ST 1/8 NPT - 110680 - C15	1	1	1

### BOWL SHAFT & BEARING COMBINATIONS

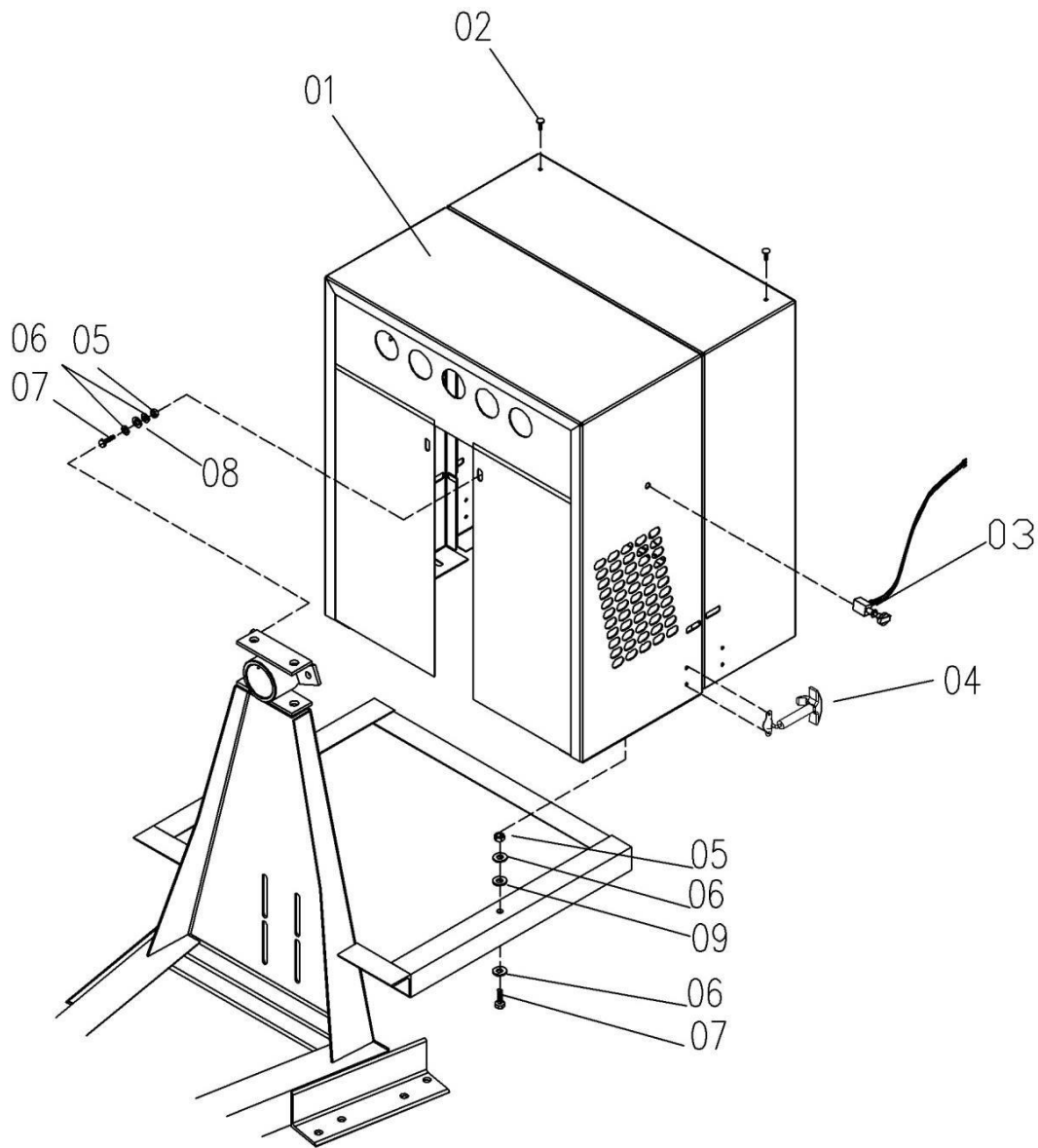
MODEL	PART# & REF	DESCRIPTION	BEARING 1	BEARING 2	YEAR
C6/C9	0900CR01YU	DRIVE SHAFT C6-C9/C9P-C12 SINCE 2010 (9-3/4") - 702041	0000BA6205	0000BA6205	2010-CURRENT
	412703	BOWL SHAFT C9 X (15-3/8")	112180 / 112380	112180 / 2380	1989-1998 (GUESS)
	411901	BOWL SHAFT, C3-C6P-C6 X 7-3/8"	NO INFO	NO INFO	(OBSOLETE)
	411901-01	BOWL SHAFT, C3-C6P-C6 X 8-3/4"	112450	112200 / 2400	1998-2002
	411895	BOWL SHAFT, C6-C9 X 9-3/4"	112450	112200 / 2400	2002-2010
	0900CR01TQ-01	BOWL SHAFT, C6-C9 OLD STYLE X 13" - 702034	0000BA2788	0000BA2788	2010-2011
	0900CR01TQ	BOWL SHAFT, C6-C9 & C12 X 12"L (NO SEAL) - 702035	0000BA2788	0000BA2788	2011-2016 (JUN)
	0900CR01TQ-A	BOWL SHAFT, C6-C9 & C12 12"L - 702035-01 W/ SEAL	0000BA2788	0000BA2788	2016 (JUL) - 2018 (NOV)
C12	0905CR01TQ	BOWL SHAFT, C12 X 11-3/16" - 702036 FOR (1) BA104949	0000BA2788	0000BA104949	2010-2012 & 2018
	0900CR01TQ	BOWL SHAFT, C6-C9 & C12 X 12"L (NO SEAL) - 702035	0000BA2788	0000BA2788	2012 (APR)-2016 (JUN)
	0900CR01TQ-A	BOWL SHAFT, C6-C9 & C12 12"L - 702035-01 W/ SEAL	0000BA2788	0000BA2788	2016 (JUL)-2018



\*When ordering parts please always specify the model and serial number of the mixers as a reference.

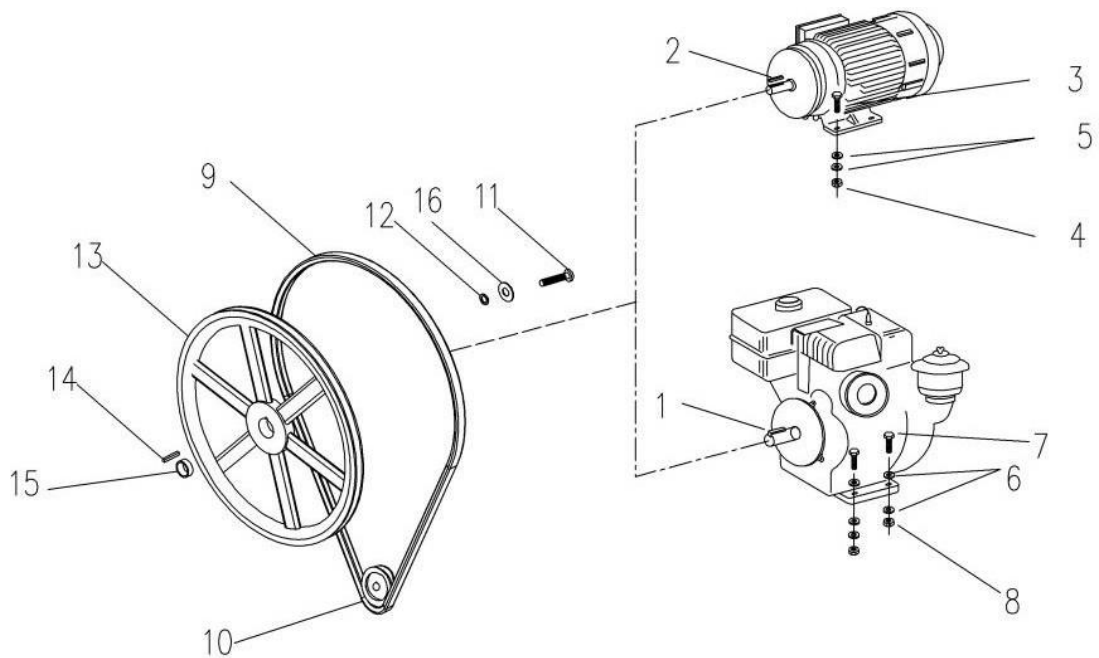
FRAME ASSEMBLY				Models		
#	SKU #	PART #	DESCRIPTION	C6	C9	C12
1	0905CO01CH	702055	C6 - C12 V-FRAME -702055	1	1	1
2	CAD3516GAL	701012	5/16 SAFETY CHAIN W/ OVAL SNAPS T501 - 609686 - 701012 - CA03316GAL	1	1	1
3*	0000CO01LZ	702056	PINTLE HITCH HORIZONTAL HOLE - T118 - 702056 - C192 (OBSOLETE)	STD	STD	STD
3	0000CO03LZ	702069	PINTLE HITCH VERTICAL HOLE - 702069 - T118 - C193 - C198	STD	STD	STD
4	0111SR01LZ	134955	3/6" COTTER PIN CP-85H - SR00036EXT - T110 - 134955	1	1	1
5	TCFN034GAL	701028	TOWING HITCH, HEX NUT, 3/4 NF - 701028 - T124 - C179 (2018)	1	1	1
6	RNRX034GAL	174510	TOWING HITCH, SPRING WASHER 3/4" - 174510 - T123	1	1	1
7	0000CR01LZ	702078	TOWING HITCH, LOCK PIN 3/4" - T121 - C169 - 496088 - 702078	1	1	1
8	TOCD034312	226272	HEX BOLT HD GR5 3/4 X 3-1/2	1	1	1
9	TCCS012GAL	227854	HEX LOCK NUT 1/2" - T106 - 227854 - C304 - C173	6	6	6
10	0130SC02RD	702058	STANDARD CM AXLE, ASSY INCLUDES HUBS - 702058 - C134 - C195	1	-	-
11	0170CO02CH	702059	CM/HM AXLE U-CLAMP C166 - 0900CR02RD -702059	2	-	-
12	0200KI03RD	702071	WHEEL HUB W/ 1" BRG L44643 & DUST CAP - 702071 - T129 (NEW STYLE)	2	2	2
13	0000CO01RD	431081	WHEEL & TIRE ASSY 165-80 R13" - T137 - 431081 - C136	OPT	OPT	2
13	0000CO02RD	431063	WHEEL & TIRE ASSY 4.8 X 12" - T137-12 - C137- 431063	2	2	-
14	TCCS038GAL	227830	HEX LOCK NUT 3/8" - 227830 - T114 - C142	4	4	4
15	RNRX038GAL	176230	LOCK WASHER 3/8" T113 - C144 -176230	4	4	4
16	RNPX038GAL	174986	PLAIN WASHER 3/8" (T112 - C139 - 174986)	8	8	8
17*	0000CO02LZ	702060	2" BALL HITCH HORIZONTAL HOLE - 702060 - T119 - C197 (OBSOLETE)	OPT	OPT	OPT
17	0000CO04LZ	702070	2" BALL HITCH VERTICAL HOLE - 702070 - T119 - C199	OPT	OPT	OPT
18	RNPX012GAL	174470	PLAIN WASHER 1/2" - T105 - C172 - 174470	2	6	6
19	N/A	496720	BASE PLATE ASSEMBLY C3-C9 (BEFORE 2011)	1	1	1
19	0900CO01BM	702062	C3-12 ADJUSTABLE BASE PLATE ASSY, NEW STYLE -702062	1	1	1
20	OOPE056134	135215	PIN, SPR COILED 5/16 X 1-3/4 - 135215	1	1	1
21	0900CO01CH	496767	C3-C12 SWIVEL BRACKET 496767	1	1	1
22	N/A	412420	PINION C3-C12, TILTING (R2) - 412420	1	1	1
23	N/A	136000	CLIPS, GRIPPER 5/16" C6-C12 - 136000	2	2	2
24	TOCU018034	162830	BOLT, 1/8 X 3/4 - 162830	2	2	2
25	N/A	702067	C6-C12 LEVER ASSY SINCE JAN 05,2015 S# 3A9S33M16F1168001	1	1	1
25*	N/A	496775	WA LEVER C6-C9 (BEFORE 2015)	1	1	1
26	TOCD038100	226210	HEX BOLT 3/8 X 1 - C138 - 226210 (ELECTRIC MOTORS)	2	2	2
27	DXA T1744440	607916	TORSION AXLE 12S-12SH-16SH-C9V-C12V	OPT	1	1
28	N/A	496778	GUARD, C6/C12 TILT GEAR (R2)	1	1	1
29	N/A	412551	TILTING SHAFT C6-C12 (1-1/4"X5-3/4")	1	1	1
30	N/A	496779	W.A. HANDWHEEL, C6-C12	1	1	1
31	N/A	135216	PIN, SPR COILED 5/16 X 2"	1	1	1
32	TOCD012134	226660	HEX BOLT 1/2 X 1-3/4" - 226660 - T189	6	6	6
33	N/A	701020	RUBBER SCREW CAP 1/2	2	2	2
34	0000RF10RD	702087	DUST CAP FOR WHEEL HUBS 1.98" (NEW STYLE) - 702087 - T136-1 - 464804 - P/N 25353844	2	2	2

\*When ordering parts please always specify the model and serial number of the mixers as a reference.



SHROUD ASSEY			Models			
#	SKU #	PART #	DESCRIPTION	C6	C9	C12
1	0900CO01GA-1	702047	NEW C3-C9 HOOD ASSY FROM S# 3A9S23N12F1168001 - 702047	1	1	1
1	N/A	496700	OLD HOOD ASSEMBLY, C3-C9 (OBSOLETE)	1	1	1
2	0000RF01GA	201544	RUBBER SCREW 1/4" FOR SHROUD - T158 - C159 - 201544	2	2	2
3	0200KI01GA	701007	ENGINE N.O KILL SWITCH RED (NO HARNESS) - 816769AS - 112500 - T195-1	1	1	1
4	0000RF02GA	701004	SHROUD HOOK ASSEMBLY - T160 - C161 - 701004 - 201543	2	2	2
5	TCCS038GAL	227830	HEX LOCK NUT 3/8" - 227830 - T114 - C142	4	4	4
6	RNPX038GAL	174986	PLAIN WASHER 3/8" (T112 - C139 - 174986)	8	8	8
7	TOCD038112	226230	HEX BOLT 3/8" X 1-1/2" - T176 - C141 - 226230	4	4	4
8	RNPX012GAL	174470	PLAIN WASHER 1/2" - T105 - C172 - 174470	2	2	2
9	0000R03FGA	701030	NEOPRENE WASHER, 1/2" ID X 2 OD X 1/16" - 701030 - C168 - C180	2	2	2

\*When ordering parts please always specify the model and serial number of the mixers as a reference.



DRIVE ASSEY			GAS			ELECTRIC		
#	SKU #	PART #	DESCRIPTION	5HP	8HP	13HP	1.5HP	2HP
1	0905CC01YU	432090	KEY, 1/4 X 2 (0905CC01YU)	-	1	1	-	-
2	N/A	432060	KEY, 3/16 X 2	1	-	-	-	-
2	N/A	432310	KEY, 5/16 X 2	-	-	-	-	1
3	TOCD056100	225980	BOLT, HEXHD, 5/16 X 1	-	-	-	4	4
3	TOCD038112	226230	BOLT, HEXHD, 3/8 X 1-1/2	-	-	-	-	-
4	TCCS056GAL	227820	NUT, 5/16 NYLON LOCK	4	-	-	4	4
5	RNPX056GAL	174990	PLAIN WASHER, 5/16	8	-	-	8	8
6	RNPX038GAL	174986	PLAIN WASHER, 3/8	1	9	9	1	1
7	TOCD038200	226250	BOLT, HEX HD, 3/8 X 2	-	4	4	-	-
7	TOCD056200	701022	BOLT, HEXHD, 5/16 X 2	4	-	-	-	-
8	TCCS038GAL	227830	NUT, 3/8 LOCK	-	4	4	-	-
9	0000BNB71	701018	BELT, B71	1	1	1	1	1
10	POFG212034	702049	PULLEY ENGINE W/SET SCREW 2-1/2 X 3/4	1	-	-	-	-
10	POFG212100	702050	PULLEY ENGINE W/ SET SCREW 2-1/2 X 1	-	1	1	-	-
10	POFG212058	702051	PULLEY ENGINE W/ SET SCREW 2-1/2 X 5/8	-	-	-	1	-
10	POFG212078	702052	PULLEY ENGINE W/ SET SCREW 2-1/2 X 7/8	-	-	-	-	1
10	POFG212118	702053	PULLEY ENGINE W/ SET SCREW 2-1/2 X 1-1/8	-	-	-	-	-
11	TOFD038100	701031	BOLT, HEXHD, 3/8 X 1 NF	1	1	1	1	1
12	RNRX038GAL	176230	WASHER, SPRING 3/8	1	1	1	1	1
13	POFG190516	702044	PULLEY 19" X 5/16" - 702044 - 2BK190H - 0900FG01YU	1	1	1	1	1
14	0905CC01YU-1	701025-1	KEY, 1/4 X 15/16	1	1	1	1	1
15	0900TU01TR	702048	BUSHING SPACER 7/8 - 702048	1	1	1	1	1
16	RNPN038ESP	701017	WASHER PLAIN 3/8 X 1-1/4	1	1	1	1	1

\*When ordering parts please always specify the model and serial number of the mixers as a reference.