

Please provide following information:

- Model number
- Serial number (if any)
- Part description and number as shown in parts list

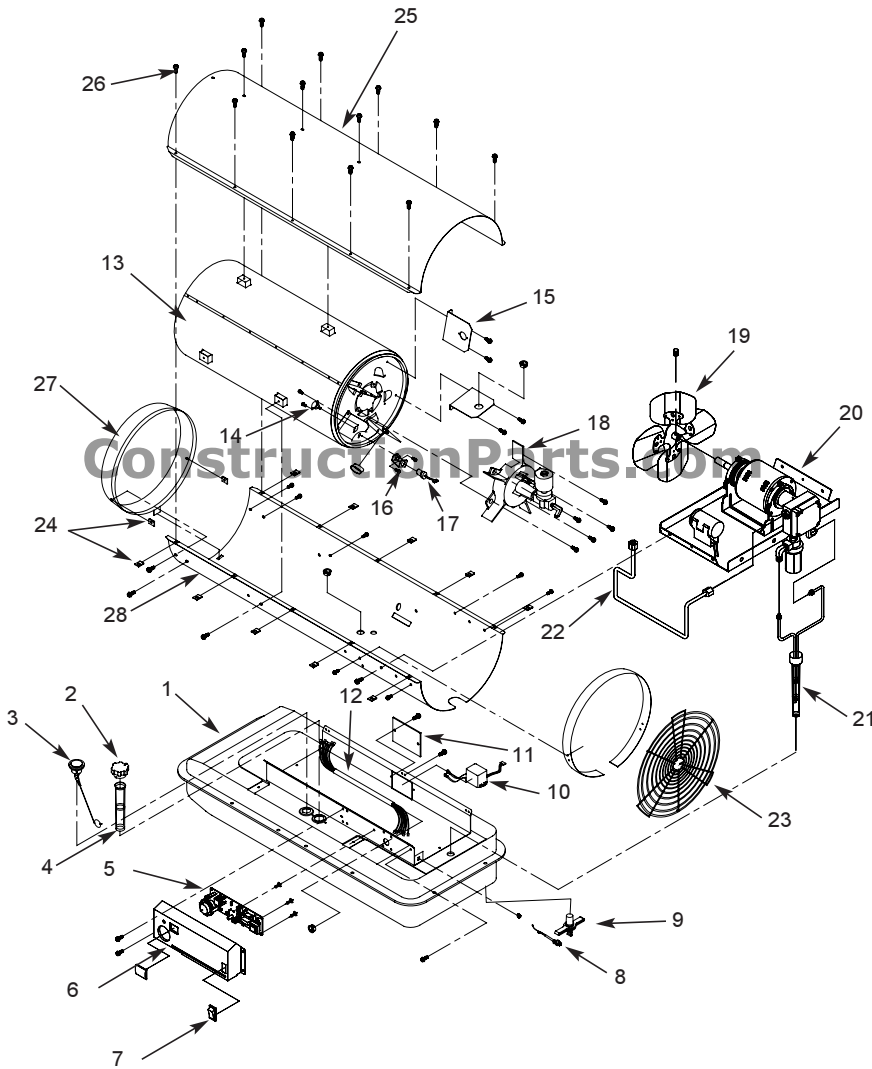


Figure 29- Repair Parts Illustration for Portable Oil-Fired Heaters Models CP650AK

## PARTS LIST CP650AK

Reference Number	Description	Part Number for Models: CP650AK
1	Fuel Tank	572148
2	Fuel Cap	572158
3	Fuel Gauge	572153
4	Fuel Filling Filter	572156
5	Main P.C.B. Assembly	572242
6	Control Cover	572302
7	Power Switch	572252
8	Power Cord	572161
9	Drain Plug	572175
10	Ignition Transformer	572300
11	Ignition Transformer Cover	572247
12	Burner Harness	572292
13	Combustion Chamber	572183
14	Temperature Limit Control	572298
15	Air Deflectors (Qty. 5)	572296
16	Photocell Bracket	572185
17	Photocell Assembly	572187
18	Burner Head Assembly	See Page 24
19	Fan Assembly	572237
20	Motor Assembly	See Page 25
21	Filler Neck Assembly	572287
22	Fuel Line	572290
23	Fan Guard Assembly	572269
24	Clip Nut (6-pack)	572284
25	Upper Shell	572304
26	Screw (12-pack)	572282
27	Outlet Cone	572294
28	Lower Shell	572168

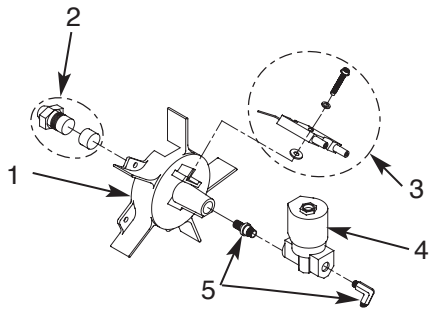
# Parts Identification

## PARTS SCHEMATIC BURNER HEAD CP400DK/CP650DK

For Repair Parts,  
call 1-800-345-~~7200~~ **7200**

Please provide following information:

- Model number
- Serial number (if any)
- Part description and number as shown in parts list



Ref. No.	Description	Part No. for Models:	
		CP400DK	CP650DK
1	Burner Head	-----572305-----	
2	Nozzle Assembly	572197	572198
3	Spark Plug Assembly	572201	572203
4	Solenoid	-----572308-----	
5	Solenoid Fittings	-----572309-----	

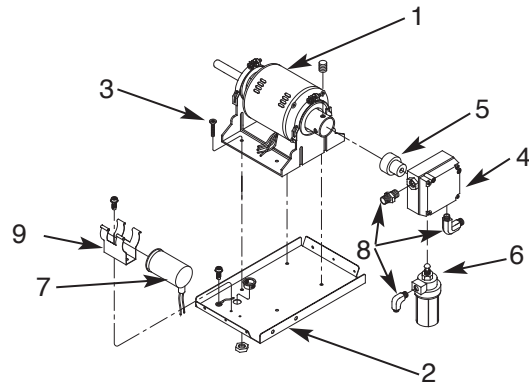
Figure 30- Burner head for CP400DK & CP650DK

# Parts Identification

## PARTS SCHEMATIC MOTOR ASSEMBLY CP400DK/CP650DK

For Repair Parts,  
 call 1-800-345-7200

Please provide following information:  
 -Model number  
 -Serial number (if any)  
 -Part description and number as shown in parts list



Ref. No.	Description	Part No. for Models:	
		CP400DK	CP650DK
1	Motor	572212	572213
2	Motor Support	572221	572222
3	Motor Hardware Kit	-----572310-----	
4	Fuel Pump	572306	572307
5	Motor/Pump Coupler Kit	-----572311-----	
6	Fuel Filter	-----572312-----	
7	Capacitor	572216	572217
8	Filter/Pump Fittings	-----572313-----	
9	Capacitor Holder	-----572250-----	

Figure 31- Motor assembly for CP400DK & CP650DK

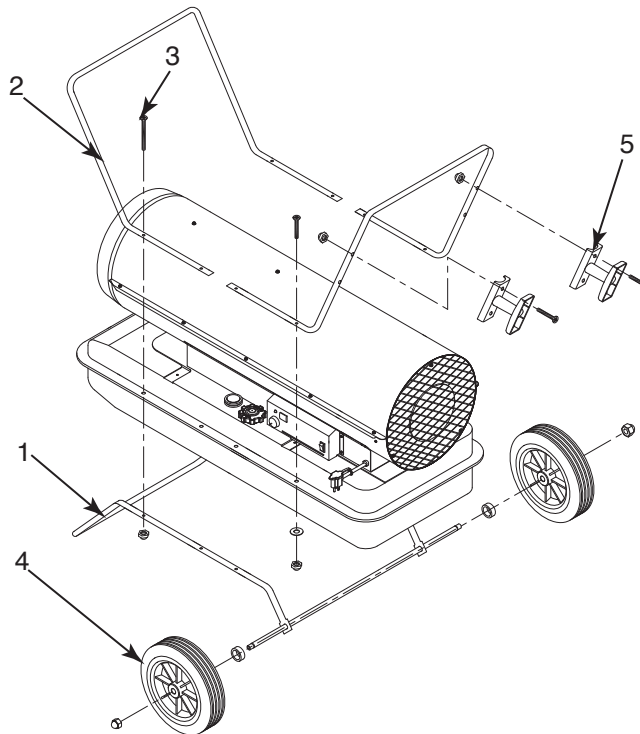
# Parts Identification

## PARTS SCHEMATIC HANDLE / WHEELS ASSEMBLY CP400DK

For Repair Parts,  
call 1-800-345-7200

Please provide following information:

- Model number
- Serial number (if any)
- Part description and number as shown in parts list



Ref. No.	Description	Part No. for Models: CP400DK
1	Wheel Support/Axle Kit	572741
2	Upper Handle Kit	572315
3	Hardware Kit	572314
4	Wheels Kit	572740
5	Cordwarp Kit	572318

Figure 32- Handle wheels assembly CP400DK

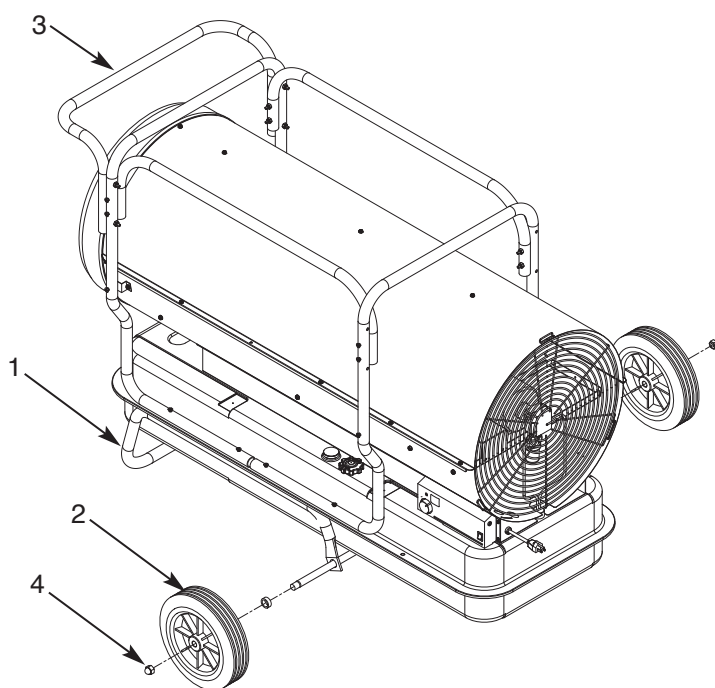
## Parts Identification

### PARTS SCHEMATIC HANDLE / WHEELS ASSEMBLY CP650DK

For Repair Parts,  
call 1-800-345-7200

Please provide following information:

- Model number
- Serial number (if any)
- Part description and number as shown in parts list



Ref. No.	Description	Part No. for Models: CP650DK
1	Wheel Support/Axle Kit	572321
2	Wheels Kit	572322
3	Upper Handle Kit	572320
4	Hardware Kit	572319

Figure 33- Handle wheels assembly CP650DK