

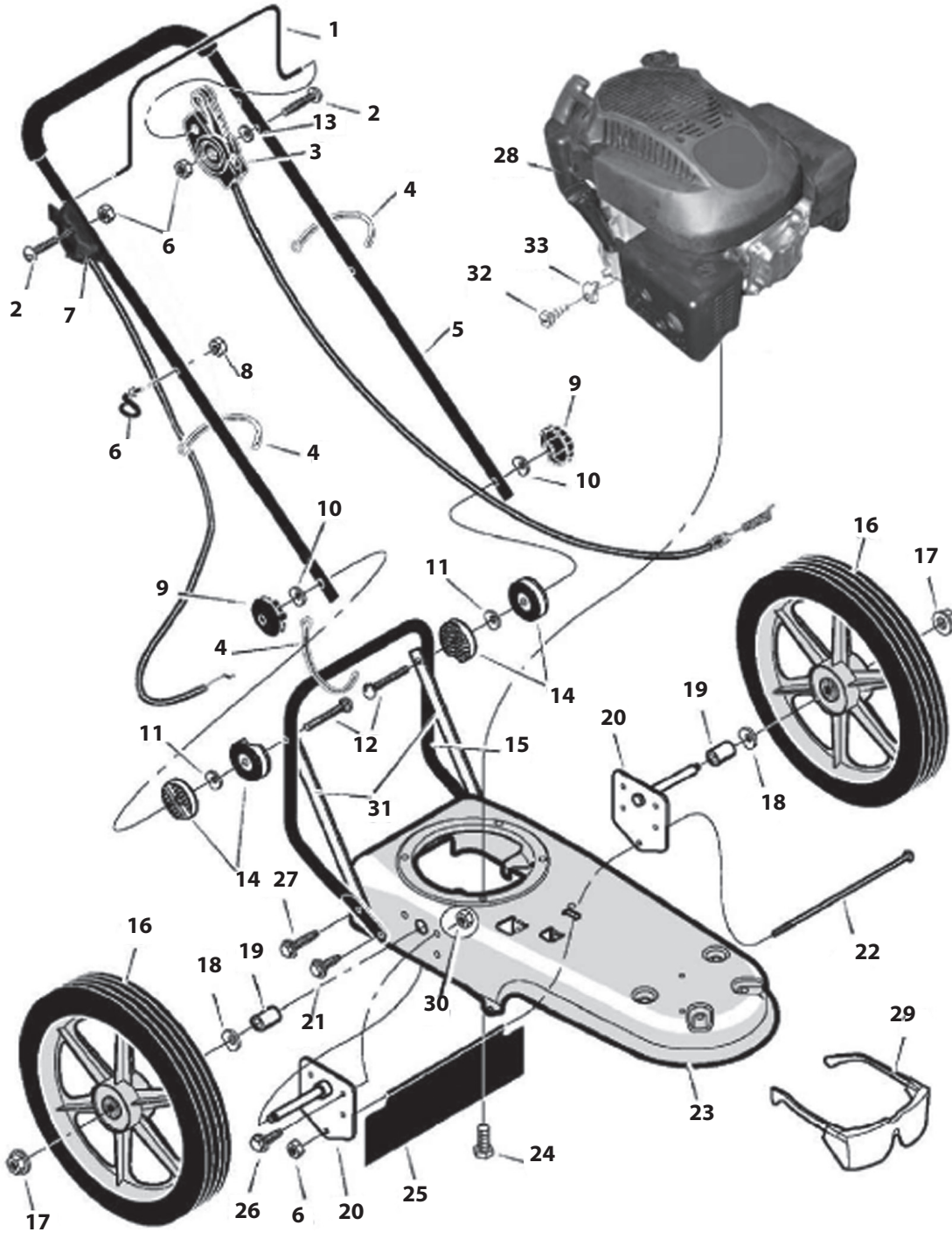
Earthquake

Operator's Manual
**Rolling String
Trimmer
600050V
600050B**



OM600050V/OM600050B
R091109
© 2009 Ardisam, Inc.
All Rights Reserved.

MAIN ASSEMBLY PARTS Base Unit





MAIN ASSEMBLY PARTS

Base Unit

| KEY # | PART NUMBER | DESCRIPTION | QTY. |
|-------|-------------|----------------------------|------|
| 1 | 60005060 | LEVER, STOP | 1 |
| 2 | 60005001 | SCREW | 1 |
| 3 | 60005019 | CABLE, CONTROL LATCHING | 1 |
| 4 | 60005048 | TIE, CABLE | 3 |
| 5 | 60005069 | HANDLEBAR | 1 |
| 6 | 60005031 | NUT | 4 |
| 7 | 60005039 | CABLE, THROTTLE (600050B) | 1 |
| | 60005032 | CABLE, THROTTLE (600050V) | 1 |
| 8 | 60005002 | GUIDE, ROPE | 1 |
| 9 | 60005020 | KNOB HANDLEBAR | 2 |
| 10 | 60005027 | WASHER | 2 |
| 11 | 60005005 | WASHER, SPRING | 2 |
| 12 | 60005006 | BOLT | 2 |
| 13 | 60005049 | SPACER | 1 |
| 14 | 60005026 | PIVOT, HANDLEBAR | 4 |
| 15 | 60005068 | HANDLEBAR, LOWER | 1 |
| 16 | 60005015 | WHEEL AND TIRE | 2 |
| 17 | 60005036 | NUT, AXLE | 5 |
| 18 | 60005029 | WASHER, SPRING | 2 |
| 19 | 60005017 | SPACER | 2 |
| 20 | 60005016 | ASSEMBLY, AXLE AND BRACKET | 2 |
| 21 | 60005067 | SCREW | 2 |
| 22 | 60005004 | BOLT, CARRIAGE | 1 |
| 23 | 60005058 | FRAME | 1 |
| 24 | 60005064 | BOLT | 4 |
| 25 | 60005018 | SHIELD, TRAILING | 1 |
| 26 | 60005061 | BOLT | 8 |
| 27 | 60005065 | SCREW | 2 |
| 28 | 60005072 | ENGINE (VIPER) | 1 |
| | 60005070 | ENGINE (BRIGGS) | 1 |
| 29 | 60005050 | GLASSES, SAFETY | 1 |
| 30 | 60005062 | NUT | 8 |
| 31 | 60005057 | SUPPORT HANDLE | 2 |
| 32 | 60005066 | SCREW | 1 |
| 33 | 60005047 | CLAMP, THROTTLE | 1 |

Trimmer

| KEY # | PART NUMBER | DESCRIPTION | QTY. |
|-------|-------------|---------------------------------|------|
| 1 | 60005036 | NUT | 5 |
| 2 | 60005042 | SCREW | 4 |
| 3 | 60005058 | DECK | 1 |
| 4 | 60005045 | SCREW | 2 |
| 5 | 60005022 | BRACKET, IDLER ASSEMBLY | 1 |
| 6 | 60005030 | BOLT | 1 |
| 7 | 60005008 | SPRING EXTENSION | 1 |
| 8 | 60005024 | SPACER ASSEMBLY, JACKSHAFT | 1 |
| 9 | 60005053 | NUT | 1 |
| 10 | 60005040 | WASHER, FLAT | 1 |
| 11 | 60005011 | PULLEY, CUTTING HEAD | 1 |
| 12 | 60005012 | SPACER, UPPER PULLEY | 1 |
| 13 | 60005003 | BELT, TRIMMER | 1 |
| 14 | 60005023 | "V" PULLEY | 1 |
| 15 | 60005013 | PULLEY, ENGINE | 1 |
| 16 | 60005014 | PULLEY, IDLER | 1 |
| 17 | 60005041 | LOC K WASHER | 1 |
| 18 | 60005028 | BOLT | 1 |
| 19 | 60005043 | SCREW | 8 |
| 20 | 60005010 | ASSEMBLY, GUARD | 1 |
| 21 | 60005063 | WASHER | 1 |
| 22 | 60005021 | SHIELD, TRIMMER | 1 |
| 23 | 60005046 | SCREW | 4 |
| 24 | 60005056 | HOUSING, JACKSHAFT | 1 |
| 25 | 60005055 | SHAFT, CUTTING HEAD | 1 |
| 26 | 60005054 | WRAP, WEED | |
| 27 | 60005051 | SCREW | 5 |
| 28 | 60005072 | ENGINE (VIPER) | 1 |
| | 60005070 | ENGINE (BRIGGS) | 1 |
| 29 | 60005059 | ASSEMBLY, CUTTER HEAD AND WRAP | 1 |
| 30 | 60005007 | SCREW, SET | 1 |
| 31 | 60005009 | LINE, TRIMMER 0.155 X 21.25 | 2 |
| 32 | 60005025 | GUIDE, METAL HEIGHT | 1 |
| 33 | 60005052 | WRENCH, T-HANDLE (IN PARTS BAG) | 1 |