

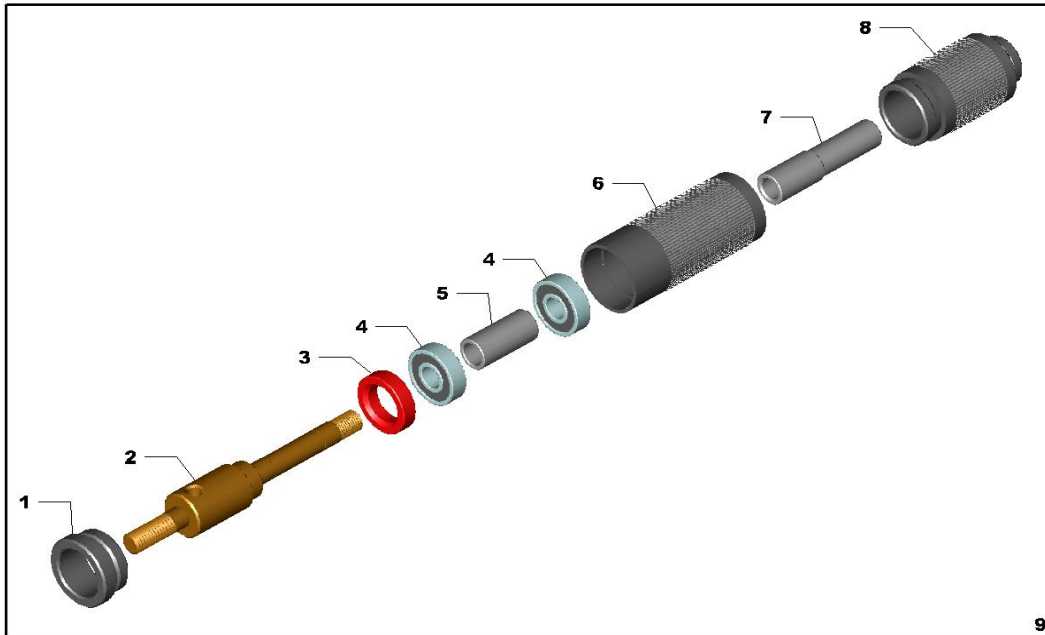


FISH SCALER

Model: Pro 30

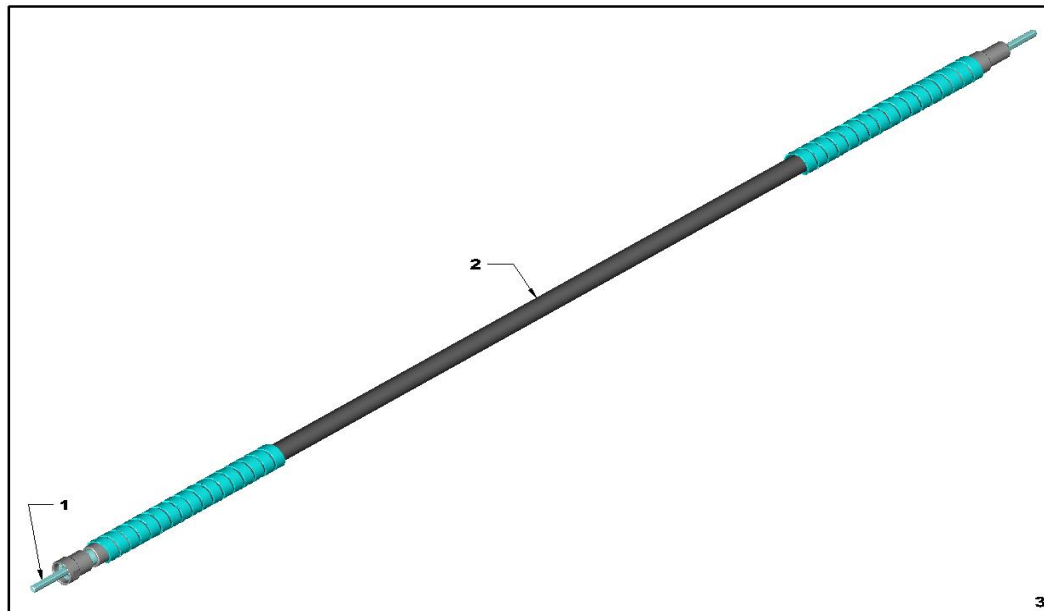


STANDARD DUTY HAND PIECE



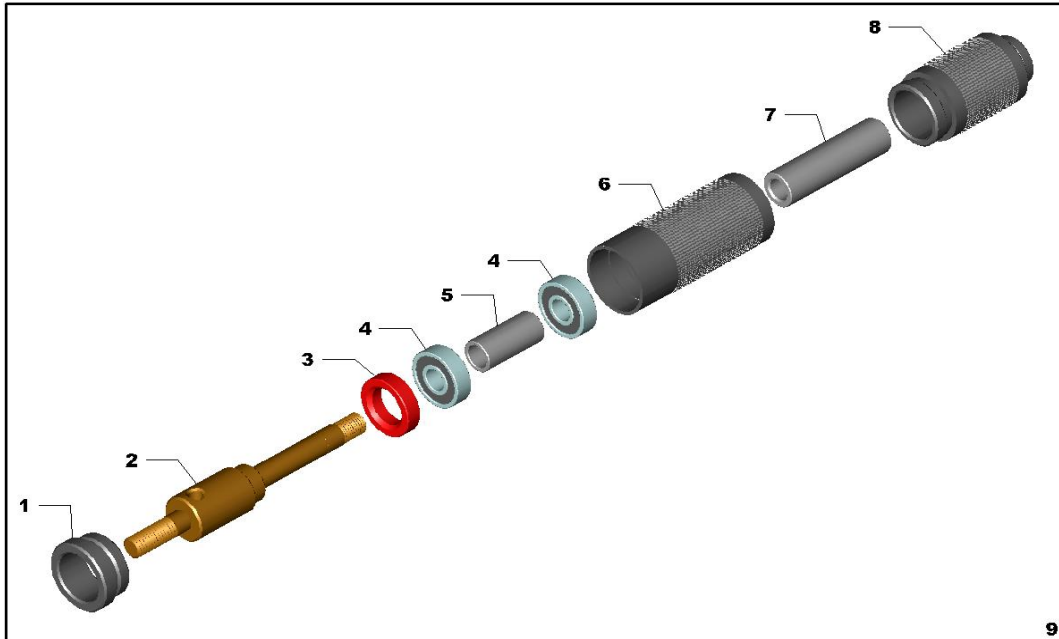
Ref.	Part No.	Description
1	305C1	CAP, BEARING
2	155BG1	SPINDLE
3	110A5	OIL SEAL
4	140C00	BEARING (2 req'd)
5	200S1	SPACER
6	105BC1	HOUSING
7	160DN1	CORE ADPATER
8	150GL1	CASING ADAPTER
9	25AE2	COMPLETE HAND PIECE

STANDARD DUTY SHAFT ASSEMBLY



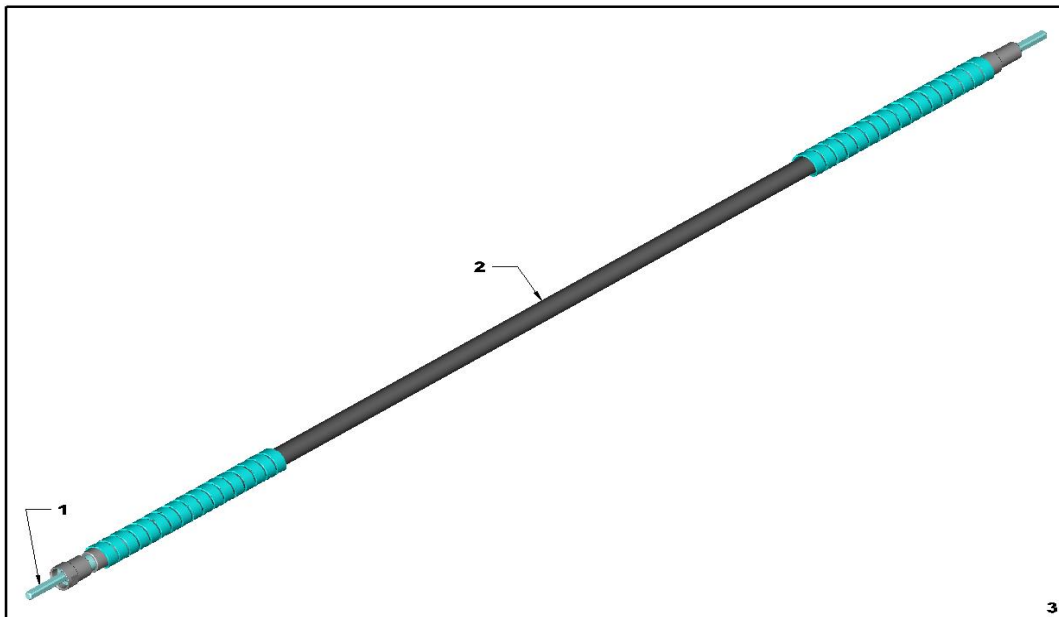
Ref.	Part No.	Description
1	250CC4	CORE
2	275BH4	CASING
3	25BB4	COMPLETE SHAFT ASSEMBLY

HEAVY DUTY HAND PIECE



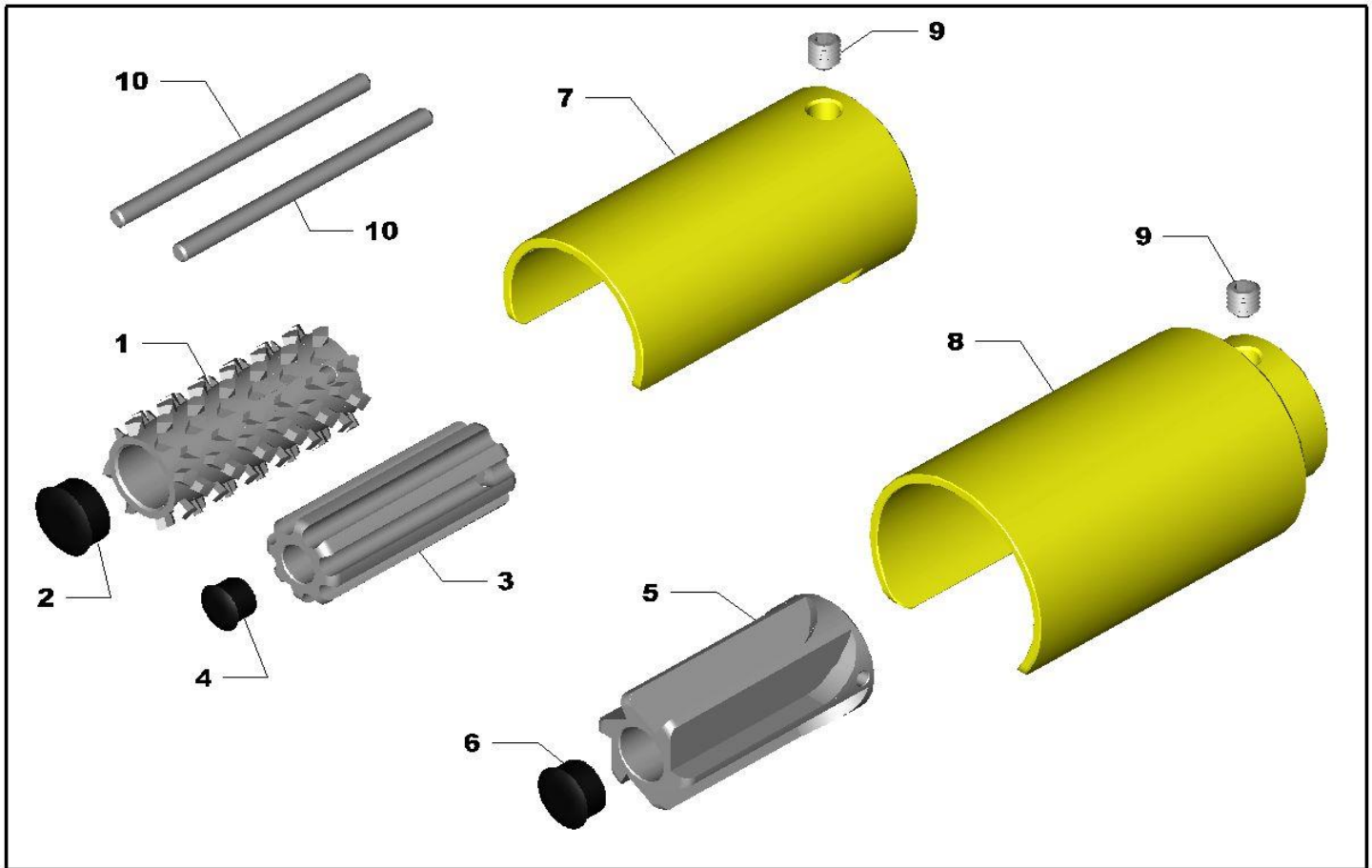
Ref.	Part No.	Description
1	305C1	CAP, BEARING
2	155BG1	SPINDLE
3	110A5	OIL SEAL
4	140C00	BEARING (2 req'd)
5	200S1	SPACER
6	105BC1	HOUSING
7	160CW2	CORE ADAPTER
8	150GL1	CASING ADAPTER
9	25AE1	COMPLETE HAND PIECE

HEAVY DUTY SHAFT ASSEMBLY



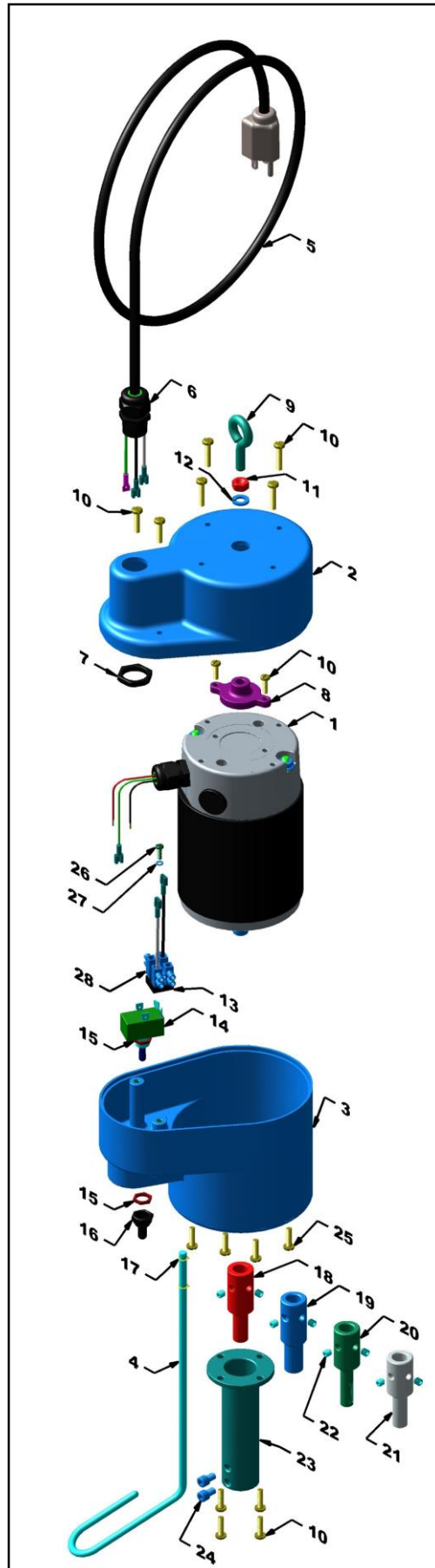
Ref.	Part No.	Description
1	250CD4	CORE
2	275BH4	CASING
3	25BC4	COMPLETE SHAFT ASSEMBLY

CUTTERS & GUARDS FOR 25AE1 & 25AE2



Ref.	Part No.	Description
1	225C1	DIAMOND PATTERN CUTTER
2	400K1	END CAP
3	225A1	8-FLUTE CUTTER
4	400H1	END CAP
5	225B1	6-FLUTE CUTTER
6	400J1	END CAP
7	270B4	GUARD (for 225A1 & 225C1)
7A	270B3	270B4 (with #9)
8	270A4	GUARD (for 225B1)
8A	270A3	270A4 (with #9)
9	190B250	SET SCREW
10	180H1	PIN (for cutter assembly, 2 req'd)

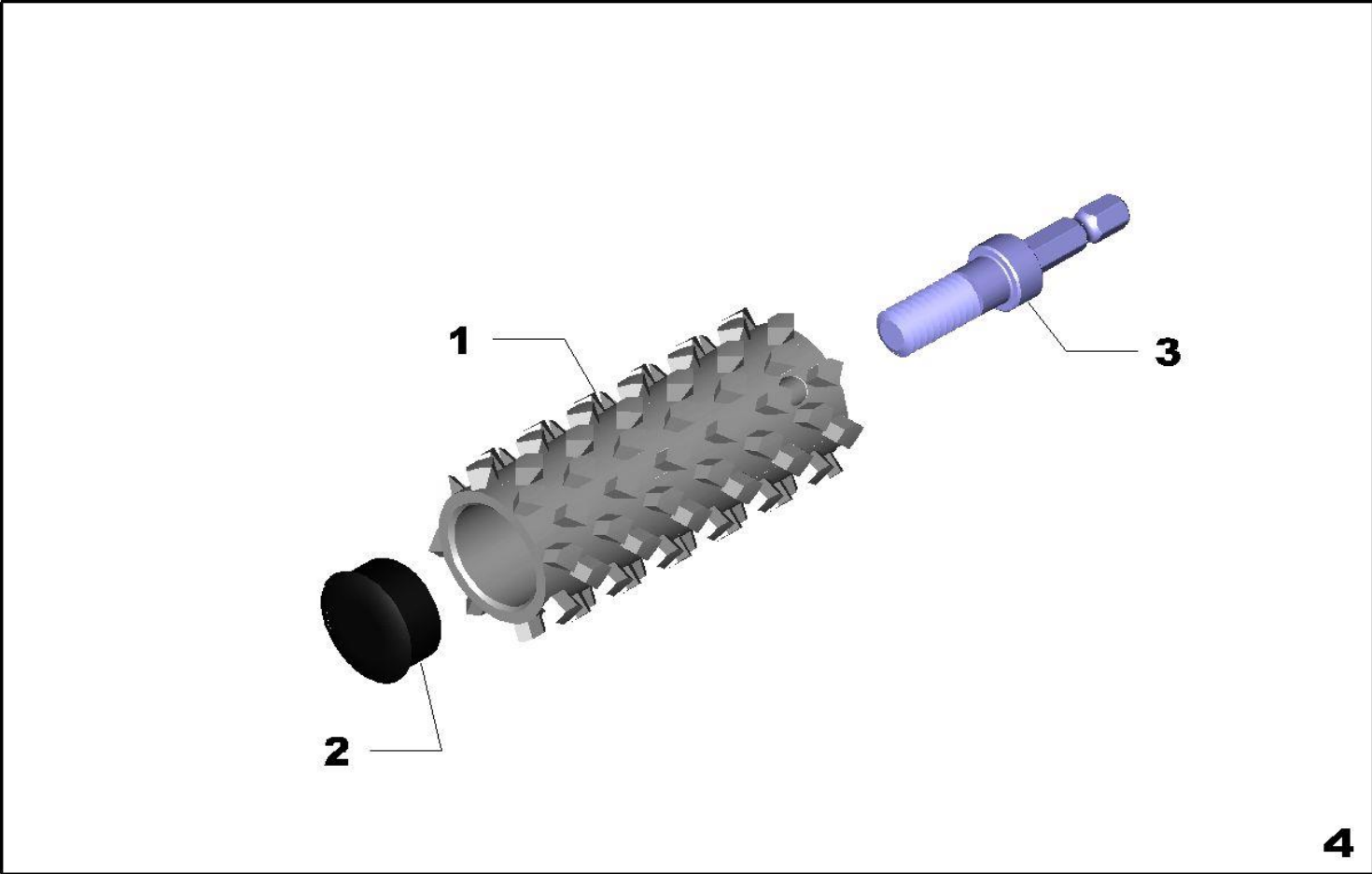
POWER UNIT ASSEMBLY (2020)



POWER UNIT ASSEMBLY (2020)

Ref.	Part No.	Description
1	555E1	ELECTRIC MOTOR (120 VDC Rectified)
	555F1	ELECTRIC MOTOR (230 VDC Rectified)
1A	555E2	COMPLETE POWER UNIT (115 Volt) {less core & casing adapters}
	555F2	COMPLETE POWER UNIT (220 Volt) {less core & casing adapters}
2	105CF1	COVER (TOP)
3	105CG1	COVER (BOTTOM)
4	485F1	HANGER
4A	485F1	HANGER, FISH SCALER (with #17)
5	505C2	ELECTRIC CORD
6	435C1	STRAIN RELIEF (with #7)
7	-----	STRAIN RELIEF NUT (1 req'd) [sold with #6]
8	485E1	HANGER, FISH SCALER
9	570A1	EYE BOLT
10	190F187	PAN HEAD SCREW
11	211A31	NUT
12	285A312	LOCK WASHER
13	705A1	RECTIFIER (ac/dc)
13A	705A2	RECTIFIER (ac/dc) Complete Assembly {with #26, #27 & #28}
14	425C1	SWITCH (comes with #15)
15	-----	NUT (2 req'd) [sold with #14]
16	430A1	WATER RESISTANT SWITCH SEAL
17	225H1	RETAINING RING (2 req'd)
18	160DW1	CORE ADAPTER (STANDARD DUTY) for 25BB4
18A	160DW2	160DW1 (with #22)
19	160DX1	CORE ADAPTER (HEAVY DUTY) for 25BC4
19A	160DX2	160DX1 (with #22)
20	160AA1	CORE ADAPTER (STANDARD DUTY) for 10K1
20A	160AA2	160AA1 (with #22)
21	160Y1	CORE ADAPTER (HEAVY DUTY) for 10L1
21A	160Y2	160Y1 (with #22)
22	190B218	SET SCREW (2 req'd with each core adapter)
23	150CC1	CASING ADAPTER
23A	150CC2	CASING ADAPTER (with #24)
24	320B237	SOCKET CAP SCREW (2 req'd)
25	190F150	PAN HEAD SCREW
26	190F650	PAN HEAD SCREW
27	285A138	LOCK WASHER
28	715A1	TERMINAL BLOCK (2 req'd)

PORTABLE FISH SCALER



Ref.	Part No.	Description
1	225C1	DIAMOND PATTERN CUTTER
2	400K1	END CAP
3	155CM1	SPINDLE
4	25BD1	PORTABLE FISH SCALER