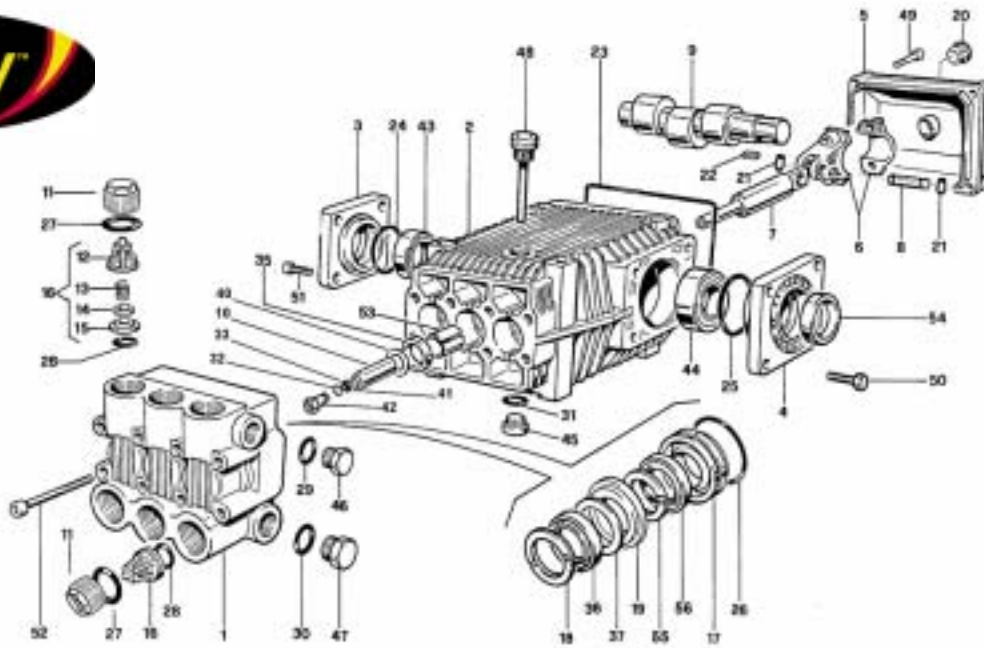


Legacy Model KKV 2311



POS NO.	PART NO.	DESCRIPTION	KIT	NO. PCS.
1	15-060084282	Pump Head, D.25		1
2	15-060091092	Pump Crankcase		1
3	15-060099092	Bearing Cover		1
4	15-060092092	Bearing Cover D.80		1
5	15-060006092	Crankcase Cover		1
6	15-069800972	ConnectingRod		3
7	15-060058512	Plunger Rod		3
8	15-060007492	Piston Pin, Dia. 15mm		3
9/2	15-060035262	Crankshaft, E=9, 30mm		1
10	15-060011182	Ceramic Piston Dia. 25mm		3
11	15-060095532	Valve Cap D.22		6
12	15-060013322	Valve Cage	40	6
13	15-970066512	Valve Spring	40	6
14	15-060014612	Valve	40	6
15	15-060025512	Valve Seat	40	1
16	15-069801973	Valves Assembly	40	6
17	15-060038532	Gland, Back Dia. 25mm	88	3
18	15-802092802	Thrust Ring Dia. 25	88, 91	3
19	15-060078532	Intermediate Ring	88	3
20	15-853515502	Oil Sight Glass		1
21	15-801099002	Circlip Dia. 15		6
22	15-806534002	Key, Rounded (8 x 7 x 35)		1
23	15-803210902	O-Ring, 2.62 x 152		1
24	15-803080702	O-Ring, 1.78 x 69.57		1
25	15-803081702	O-Ring		1
26	15-803080202	O-Ring, Dia 1.78 x 37.82	88, 91	3
27	15-803204002	O-Ring 2.62 x 23.81		6
28	15-803204002	O-Ring Dia. 22.62 x 23.81	40	6

POS NO.	PART NO.	DESCRIPTION	KIT	NO. PCS.
29	15-824140002	Gasket for Coupling, 21.2 x 26 x1		1
30	15-824230002	Gasket, 34.5 x 42 x 1		1
31	15-803204002	O-Ring		1
32	15-803058002	O-Ring		3
33	15-803902002	BKC Backring, Long Life		3
35	15-802090002	Seal, Oil (17mm)		3
36	15-802092602	Packing, "Super U" (25 x 35)	88, 91	6
37	15-060088322	Anti-Extrusion Ring	88, 91	3
40	15-060018682	Washer, Dia. 14 x 3 x 0.5		3
41	15-843646002	Washer		3
42	15-060072002	Piston Bolt		3
43	15-812848002	Bearing, Roller (35 x 72 x 17) CO		1
44	15-812870002	Bearing, Roller (35 x 80 x 21) CO		1
45	15-852687002	Galvanized Cap TCCE 3/4 Din 908		1
46	15-852629002	Plug, 1/2" G		1
47	15-852712002	Plug, 1"		1
48	15-060020322	Filler Plug w/Dipstick		1
49	15-862216002	Screw, M6x25		4
50	15-863265002	Screw, M10x2		4
51	15-862562002	Screw, M8x20		4
52	15-863590002	Galvanized Bolt M10x80 CO		8
53	15-804300002	Self Lubricating Bushing		3
54	15-802143002	Oil Seal		1
55	15-060015322	Thrust Ring Dia. 25mm	88, 91	3
56	15-802091502	High Pressure Seal Dia. 25x35x5.5	88, 91	3

	KIT 40 CHECK VALVE/O-RING	KIT 37 PLUNGER OIL SEAL	KIT 88 PACKING/ BRASS ASSY	KIT 91 PACKING ONLY
KIT BREAKDOWN				
PART #	15-40	15-37	15-88	15-91
TOTAL PCS.	12	3	24	18