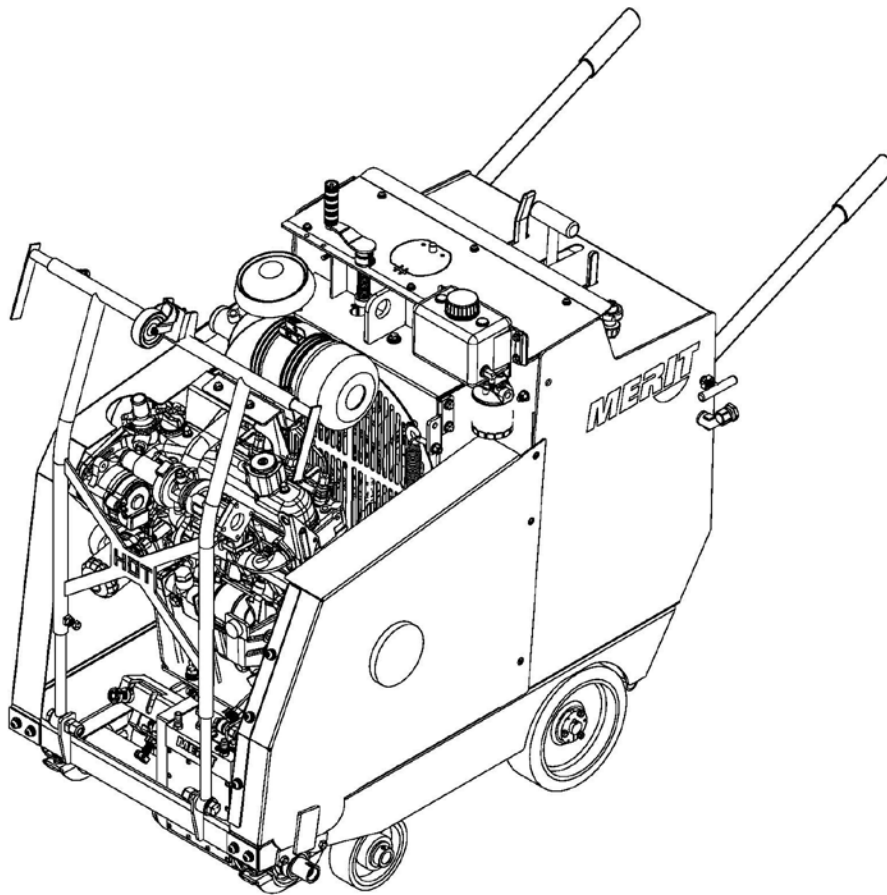


MERIT

AN **OREGON** BRAND



Replacement Parts & Accessories List



M400SS-50G-R1

Effective October 15, 2022

1

NOTICE		DO NOT OVER TIGHTEN BELTS		
NOTICE		DO NOT OVER TIGHTEN BELTS		
	WARNING	EXPOSED PULLEYS AND BELTS. DO NOT OPERATE MACHINE WITHOUT BOLTED GUARDS IN PLACE.		
	WARNING	EXPOSED PULLEYS AND BELTS. DO NOT OPERATE MACHINE WITHOUT BOLTED GUARDS IN PLACE.		
	WARNING	EXPOSED PULLEYS AND BELTS. DO NOT OPERATE MACHINE WITHOUT BOLTED GUARDS IN PLACE.		
	WARNING	EXPOSED PULLEYS AND BELTS. DO NOT OPERATE MACHINE WITHOUT BOLTED GUARDS IN PLACE.	WARNING	
	WARNING	EXPOSED PULLEYS AND BELTS. DO NOT OPERATE MACHINE WITHOUT BOLTED GUARDS IN PLACE.		
	WARNING	EXPOSED PULLEYS AND BELTS. DO NOT OPERATE MACHINE WITHOUT BOLTED GUARDS IN PLACE.	WARNING	
	WARNING	EXPOSED PULLEYS AND BELTS. DO NOT OPERATE MACHINE WITHOUT BOLTED GUARDS IN PLACE.		
	CAUTION	DO NOT SHIFT GEARS WHILE ENGINE IS RUNNING. THIS WILL CAUSE SEVERE DAMAGE TO THE EQUIPMENT.		
NOTICE		DO NOT OVER GREASE BEARINGS		
NOTICE		DO NOT OVER GREASE BEARINGS		
<p>For patent information visit: icsdiamondtools.com/patents. ©2021 ICS Blount, Inc. All Rights Reserved. WARNING: This product can expose you to chemicals including lead which is known to the State of California to cause cancer and birth defects or other reproductive harm. For more information go to: www.P65Warnings.ca.gov</p>				

Labels for all gasoline saws. Your saw may not require all labels on this sheet.

Item	Part Number	Qty per pack	Description	Qty Needed for view above
1	490378	1	SAFETY DECAL, GASOLINE SAWS	1

M400SS-50G-R1 FLAT SAW

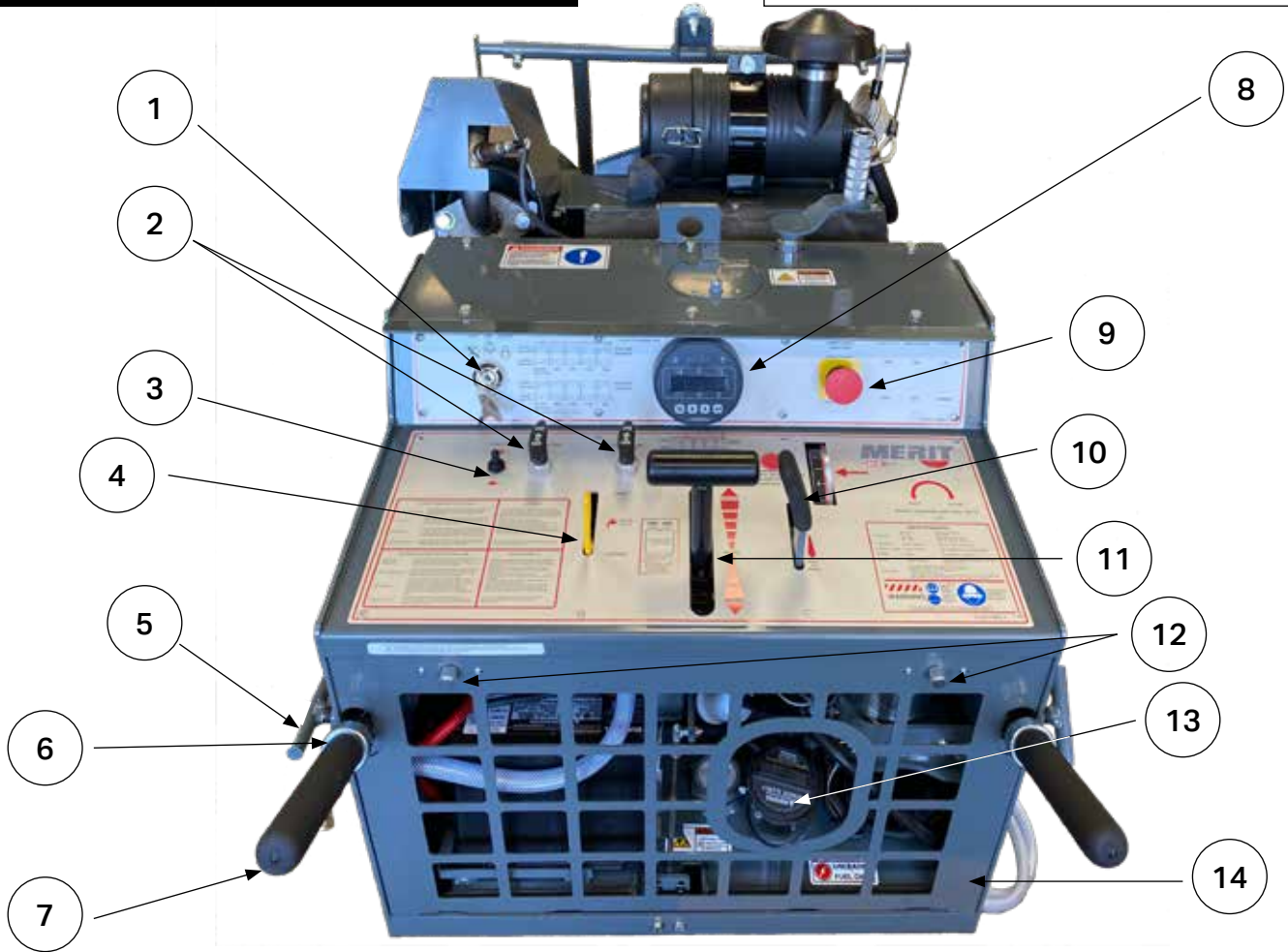
BLADE GUARDS/NIGHTLIGHT



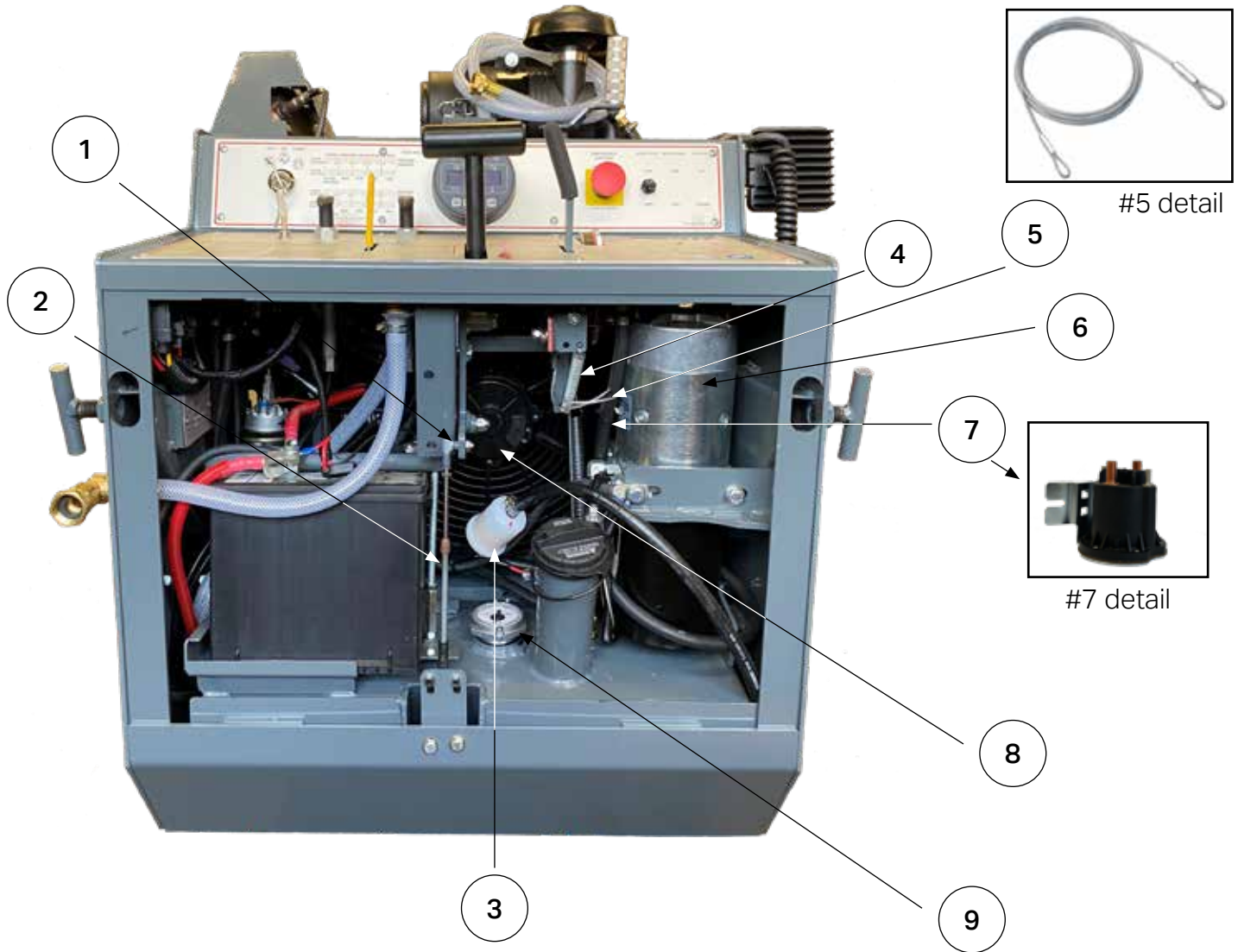
Item	Part Number	Qty per pack	Description	Qty Needed for view above
1	45172	1	RUBBER FLAP, 6 X 8	1
2	48207	1	1-1/2 BLADE WRENCH	1
3	10206	1	NYLON BUSHING, 2-5/16 IN L	1
Not shown	10205	1	NYLON BUSHING, 3-5/16 IN L	1
Not shown	12IBG	1	12" BLADE CAPACITY (12" X 2")	1
4	14IBG	1	14" BLADE CAPACITY (14" X 2")	1
Not shown	16IBG	1	16" BLADE CAPACITY (16" X 2")	1
Not shown	18IBG	1	18" BLADE CAPACITY (18" X 2")	1
Not shown	20IBG	1	20" BLADE CAPACITY (20" X 2")	1
5	21900	1	NIGHTLIGHT KIT (incl panel switch and complete harness)	1

CONTROL PANEL COMPONENTS

M400SS-50G-R1 FLAT SAW



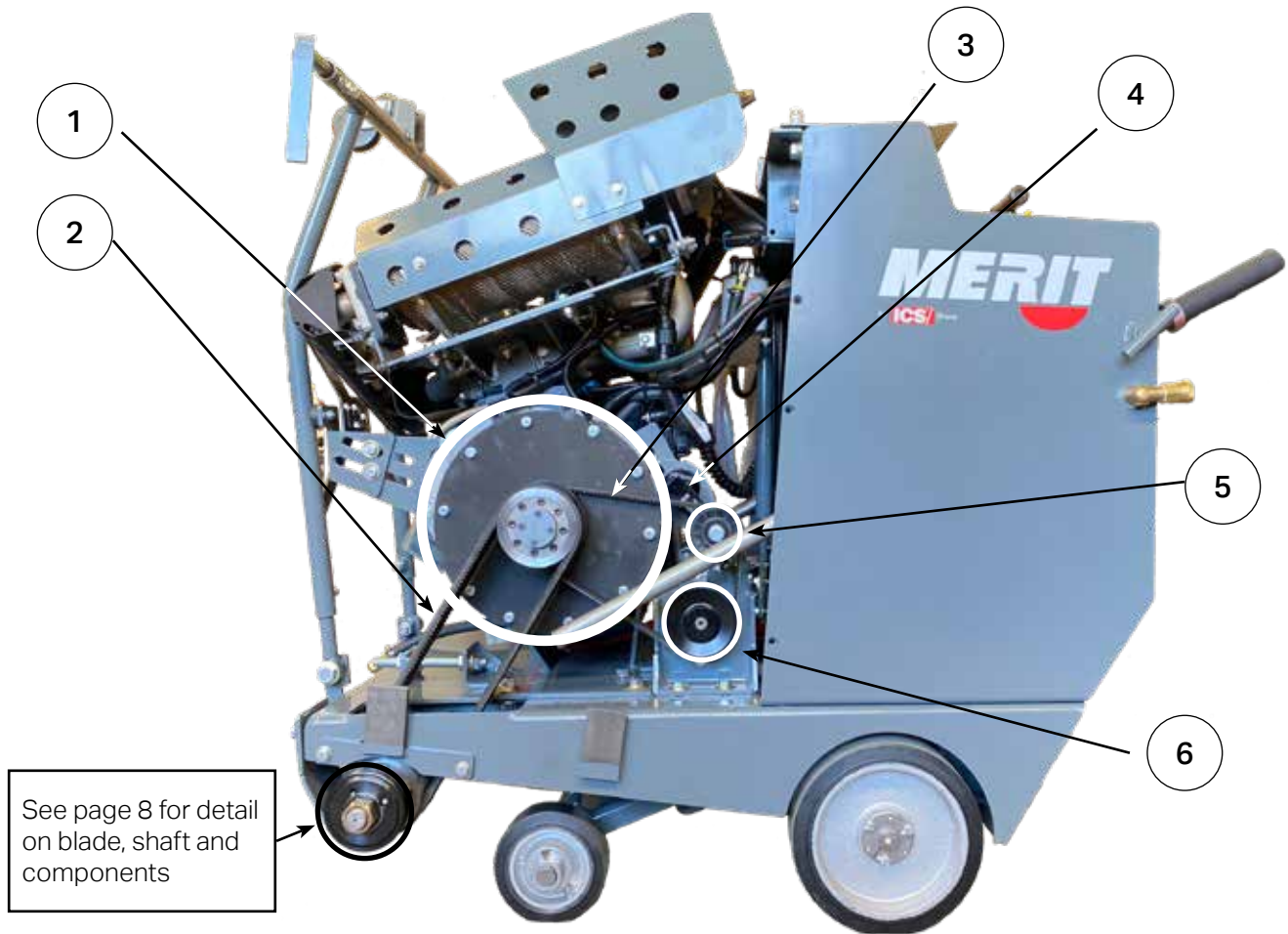
Item	Part Number	Qty per pack	Description	Qty Needed for view above
1	21129	1	KUBOTA IGNITION SWITCH ASSEMBLY (incl key)	1
2	22249	1	CABLE TWIST LOCK, 6ft	2
3 not shown	22224	1	THROTTLE SWITCH, GAS SAWS (not shown)	1
3	17167	1	SWITCH BOOT	1
4	21130	1	WATER VALVE ASSEMBLY (incl bracket & fittings)	1
5	15182RP	1	BRACKET, 5/8-11 T-LOCK	2
6	15152	1	SET COLLAR, 1" ZINC	2
7	45113	1	FOAM HANDLEBAR GRIP (handlebar not incl)	2
7 not shown	45103	1	METAL HANDLEBAR, 42" (not shown)	2
8	22163	1	DIGITAL DISPLAY CONTROLLER, KUBOTA GAS ENG	1
9	22248RP	1	"EMERGENCY SHUT-OFF (incl 2 contact blocks w/kill switch)"	1
10	21162	1	RAISE AND LOWER MECHANISM	1
11	21161	1	ASSEMBLY, FRONT MECHANISM	1
12	490084	1	PANEL LATCH, SPRING-CAM	2
13	17171	1	FUEL CAP, BLACK TETHERED, EPA COMPIANT	1
14	17202RP	1	REAR PANEL	1



Item	Part Number	Qty per pack	Description	Qty Needed for view above
1	16102	1	BALL JOINT, SPRING LOADED	1
2	22121	1	60 FORWARD/REVERSE CABLE	1
3	625133	1	FUEL FILTER ASSY, KUBOTA	1
4	41118	1	EXT SPRING, 0.50" OD X 3.75" L X 10 LBS	1
5	22153	1	"WIRE ROPE, GALVANIZED STEEL 3/32 OD please provide saw model number when ordering must order 2 of p/n 15848 with this item"	4.3ft
6	14305-B	1	HYD LIFT PUMP, SQUARE MANIFOLD NEW STYLE	1
7	490469	1	12V SOLENOID, FOR BUCHER PUMP	1
8	11129	1	ELECTRIC FAN, 16"	1
9	46109	1	FUEL GAUGE, MAGNETIC, 6" SPIRAL, 1-1/2" NPT	1
Not shown	15848	1	COMPRESSION SLEEVE	2

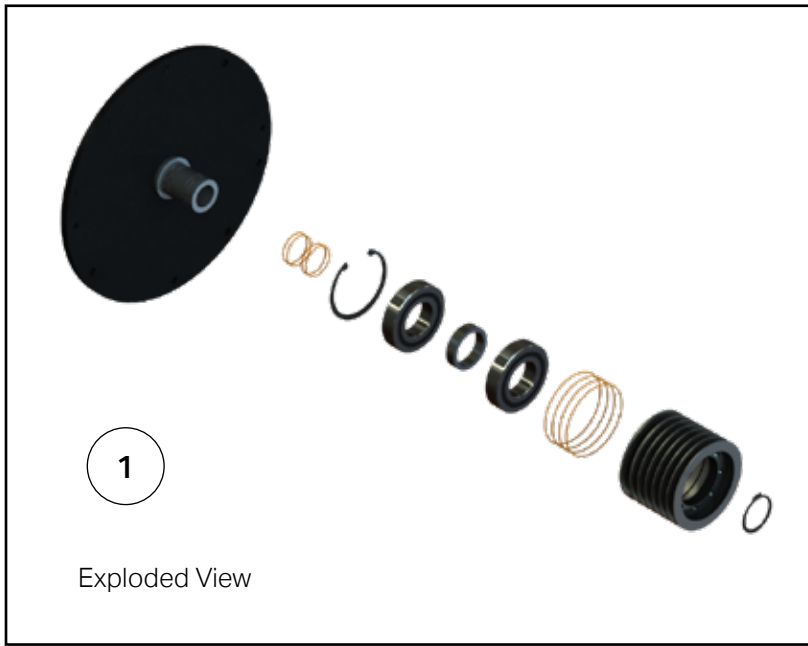
LEFT SIDE VIEW (PTO)

M400SS-50G-R1 FLAT SAW

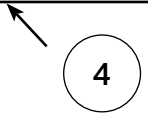
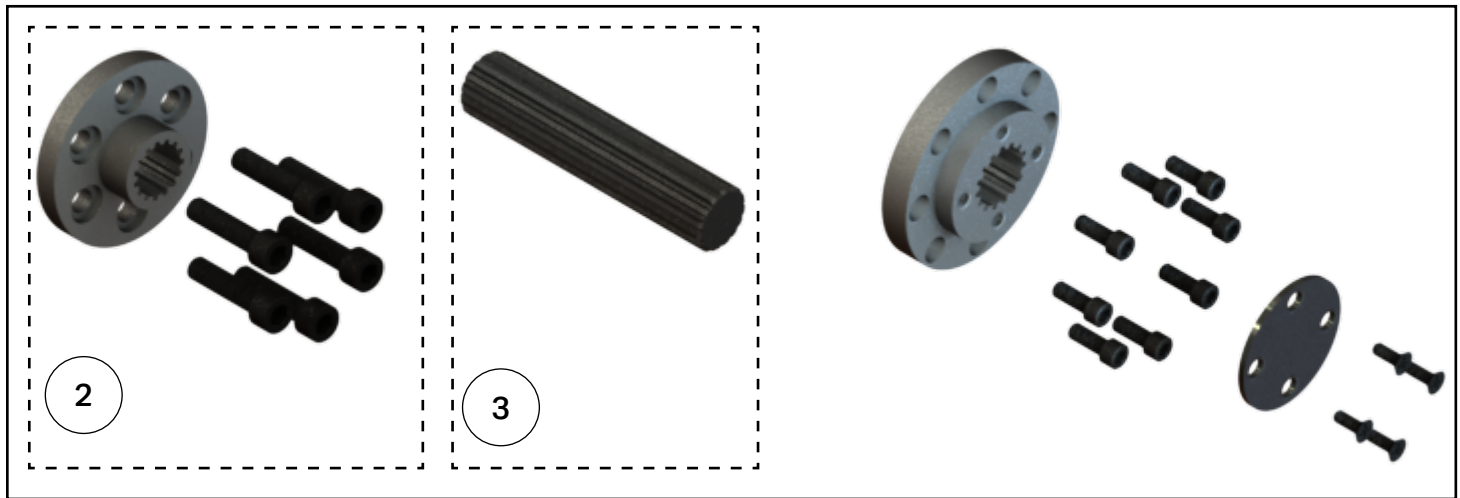


Item	Part Number	Qty per pack	Description	Qty Needed for view above
1	21126	1	PTO KIT See page 7 for list of included parts	1
2	2/3VX450	1	BELT, 2/3VX450	3
3	AX34	1	BELT, AX34	1
4	41119	1	TENSIONER, BLUE (STARTING, 2/15/18)	1
5	13978	1	TENSIONER PULLEY, 1/2 ID 3 OD 1/2 W/NYLON	1
6	13181	1	PULLEY, AK40X5/8 HYDROSTAT PUMP	1

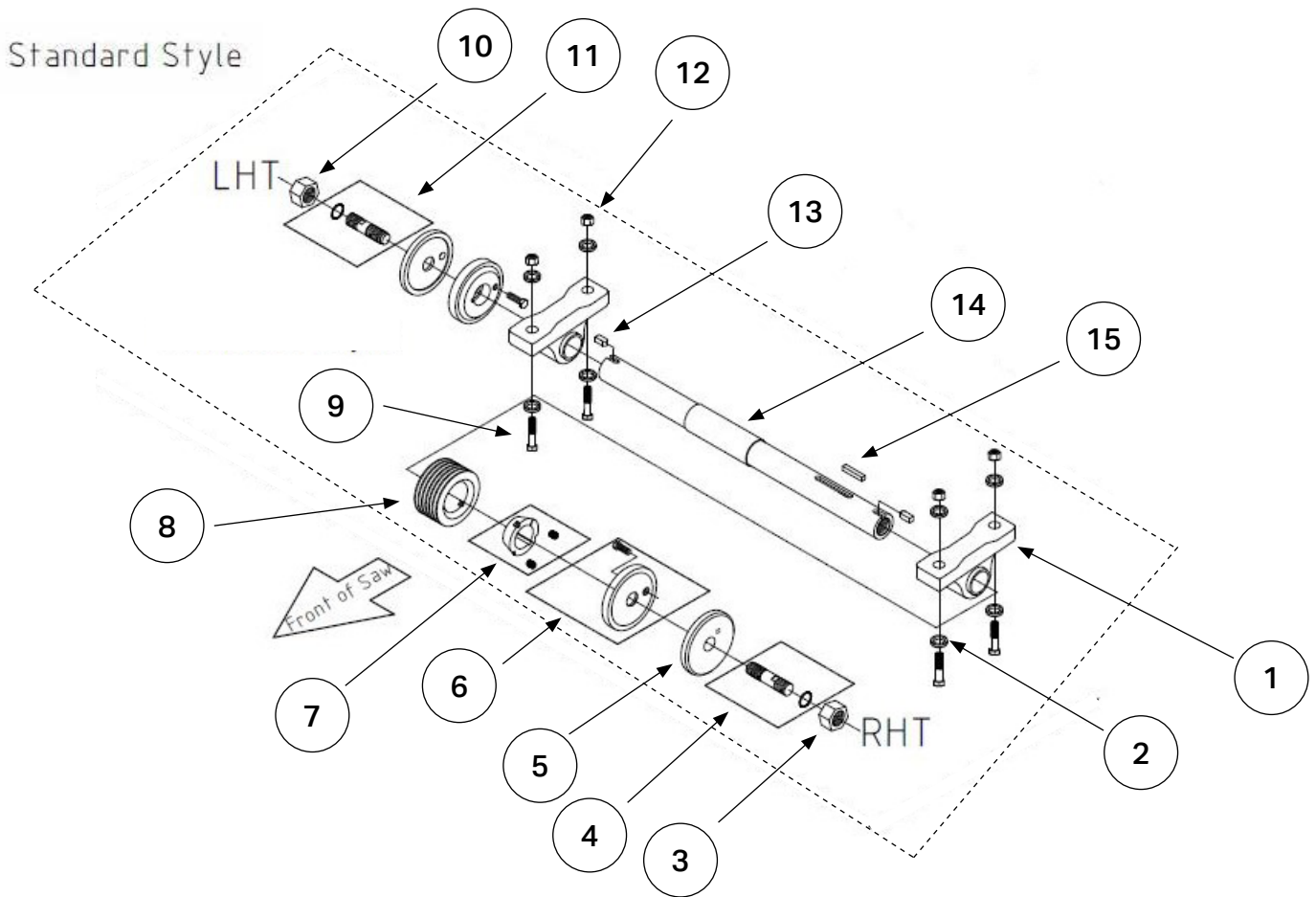
M400SS-50G-R1 FLAT SAW



SPLINED KIT & PTO KIT



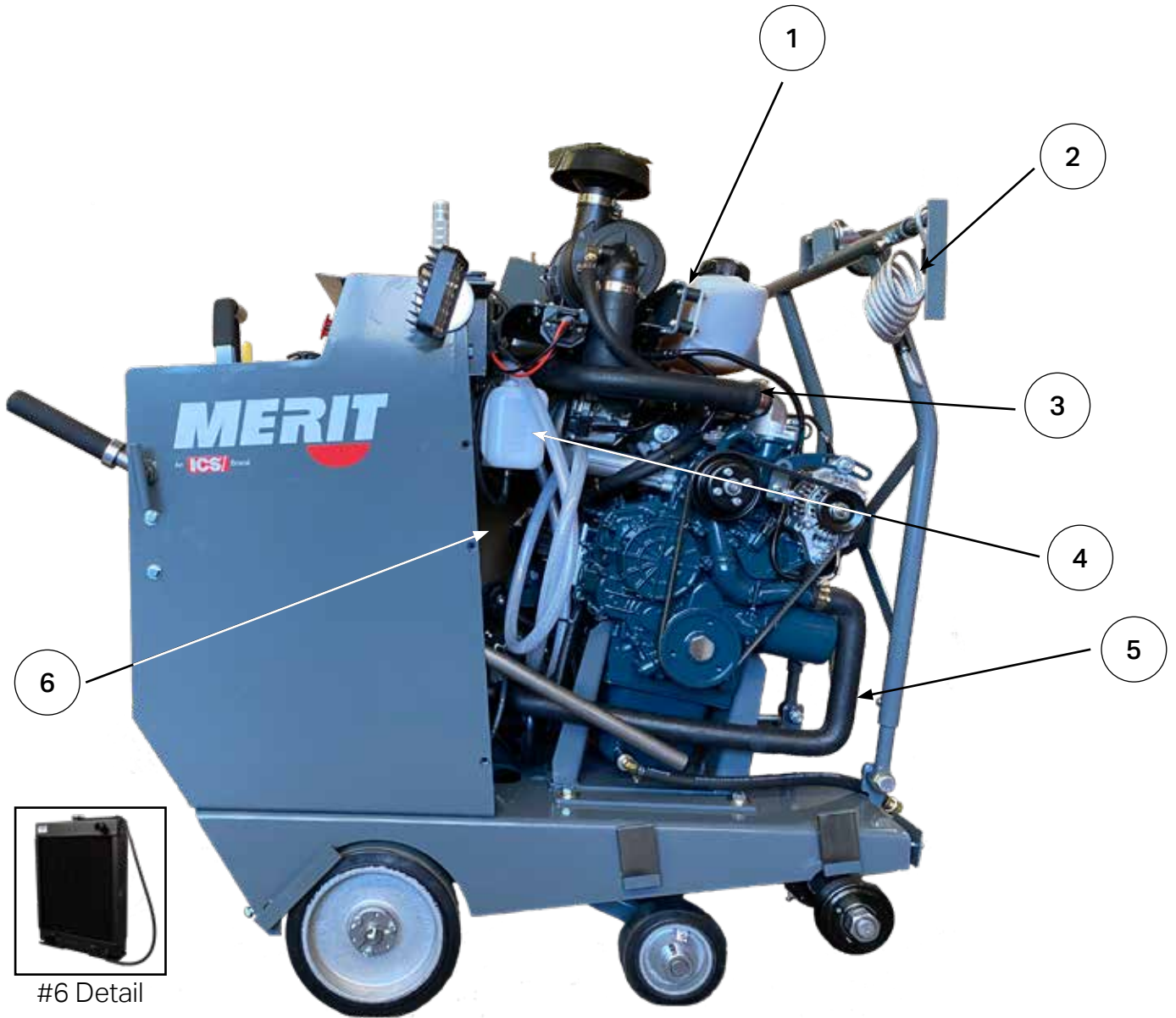
Item	Part Number	Qty per pack	Description	Qty Needed for view above
1	21126	1	PTO KIT	1
2	490002	1	SPLINED DRIVE FLANGE, 44HP/50HP (includes hardware)	1
3	10319RP	1	SPLINED DRIVE SHAFT, 4.5"	1
4	628683	1	SPLINED DRIVE KIT (includes hardware, #2 & #3)	1



Item	Part Number	Qty per pack	Description	Qty Needed for view above
1	10147	1	PILLOW BLOCK BEARING, 1-7/16	2
2	source locally		1/2 FLAT WASHER YELLOW ZINC	8
3	15199	1	BLADE NUT, RHT, 1-14 (RIGHT HAND THREAD)	1
4	15306RP	1	STUD, 1-14 X 3-1/2 RHT (STANDARD) (INCLUDES O-RING)	1
5	15155RP	1	BLADE COLLAR, 4" OUTER	1
6	15154	1	4" INNER BLADE COLLAR, 3/8 X 16 X 1-1/4 GR8 (includes locking bolt)	2
7	10186	1	TAPER LOCK BUSHING, 2012 X 1-7/16 (includes set screws)	2
8	13188	1	PULLEY, 6/3V4.10-2012	1
9	source locally		HHCS 1/2-13 X 2.25 GRADE 5 ZINC	4
10	15200	1	BLADE NUT, LHT, 1-14 (LEFT HAND THREAD)	1
11	15307RP	1	STUD, 1-14 X 3-1/2 LHT (STANDARD) (INCLUDES O-RING)	1
12	source locally		LOCKNUT, 1/2-13 NYLON INSERT	4
13	10286		SQUARE KEY, 1/4 X 9/16	2
14	10430	1	OUTPUT SHAFT, 400/SS 1S (STANDARD STYLE)	1
15	10884	1	SQUARE KEY, 3/8 X 2	1

M400SS-50G-R1 FLAT SAW

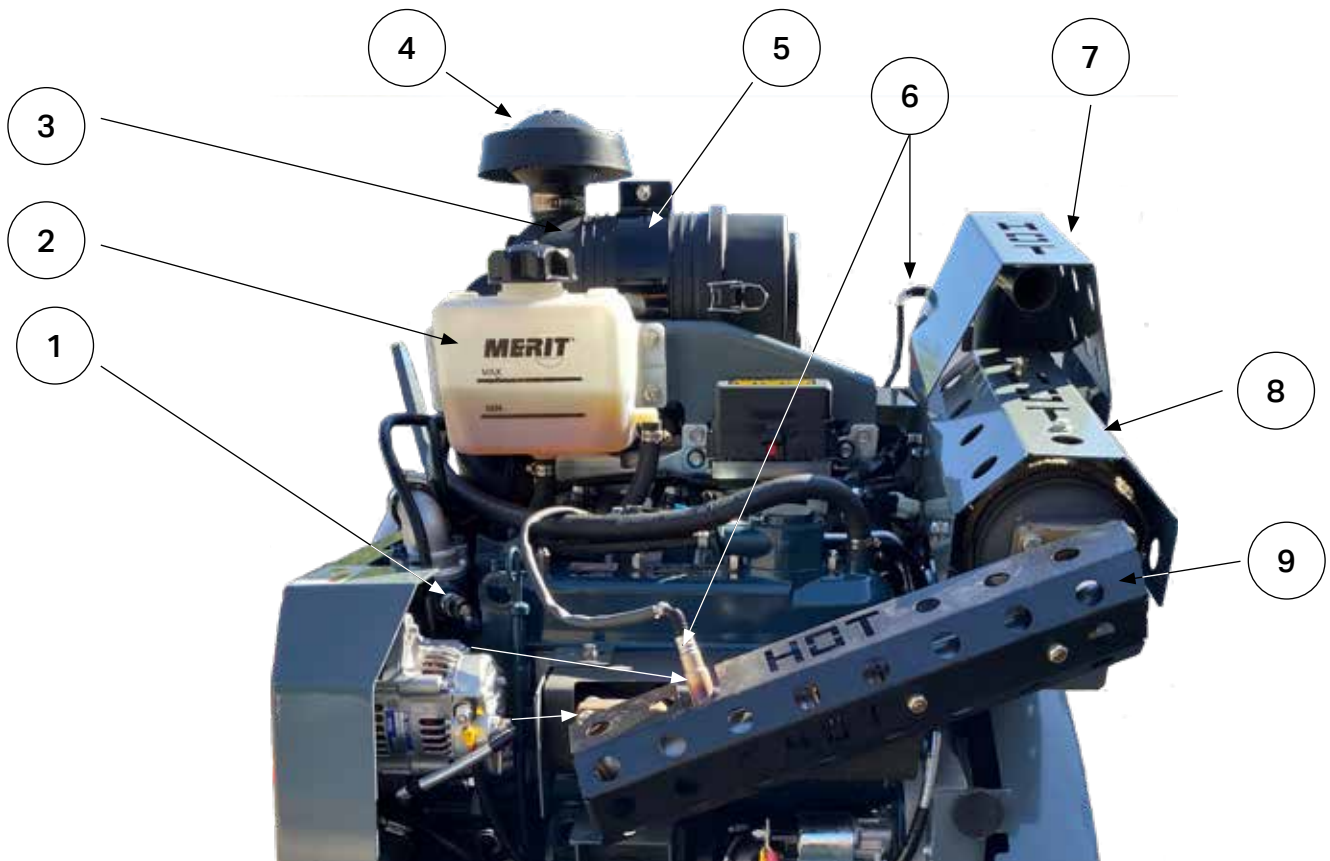
RIGHT SIDE VIEW (PTO)



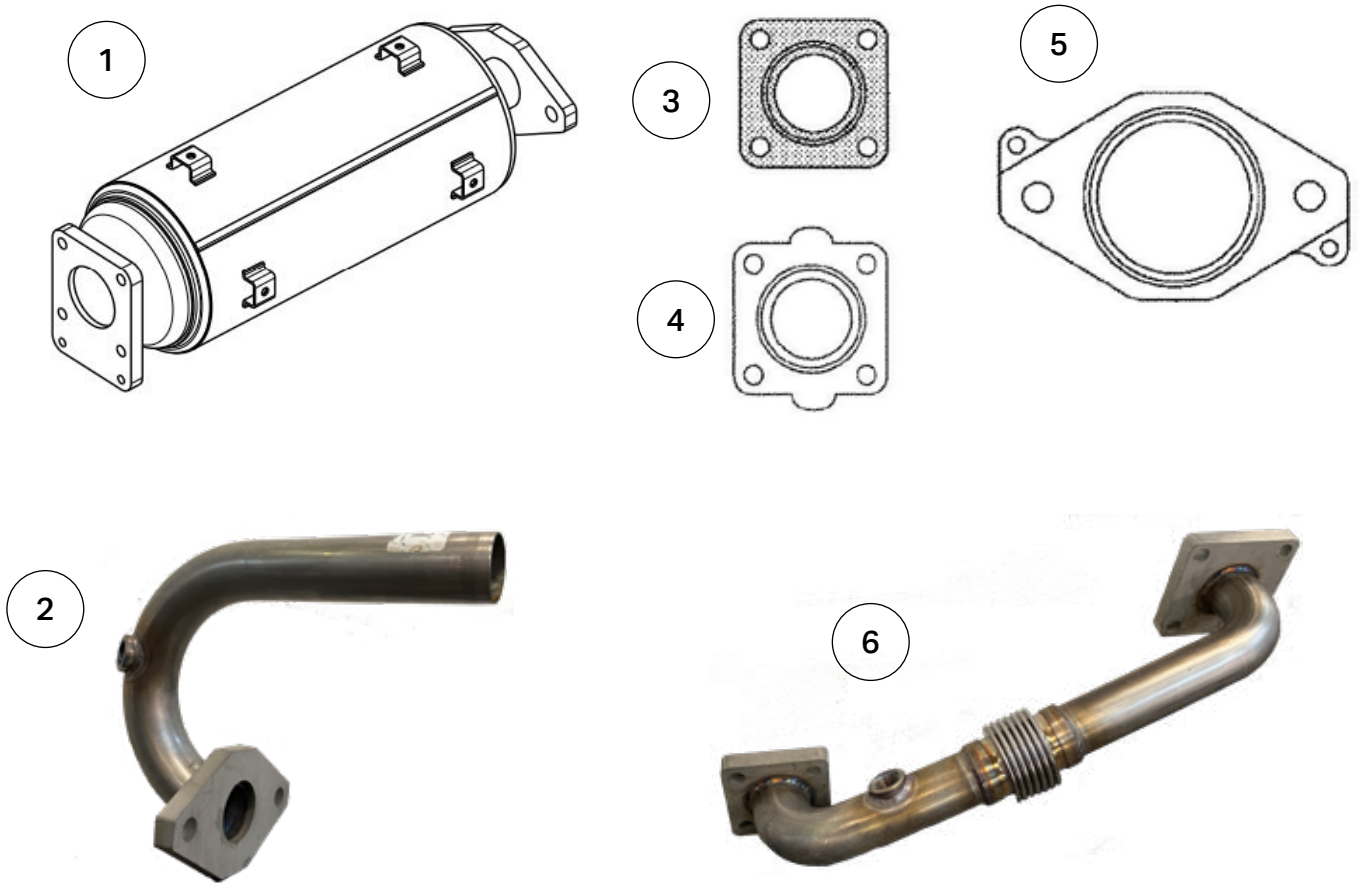
Item	Part Number	Qty per pack	Description	Qty Needed for view above
1	46213	1	VIBRATION-DAMPING MOUNT, 1/4-20 NEOPRENE	4
2	22131	1	POINTER CABLE	1
3	14300	1	RADIATOR HOSE, UPPER 400/600 KUBOTA	1
4	42102	1	COOLANT RESERVOIR	1
5	14299	1	RADIATOR HOSE, LOWER 400/600 KUBOTA	1
6	23211	1	RADIATOR, 400	1

FRONT EXHAUST SYSTEM

M400SS-50G-R1 FLAT SAW

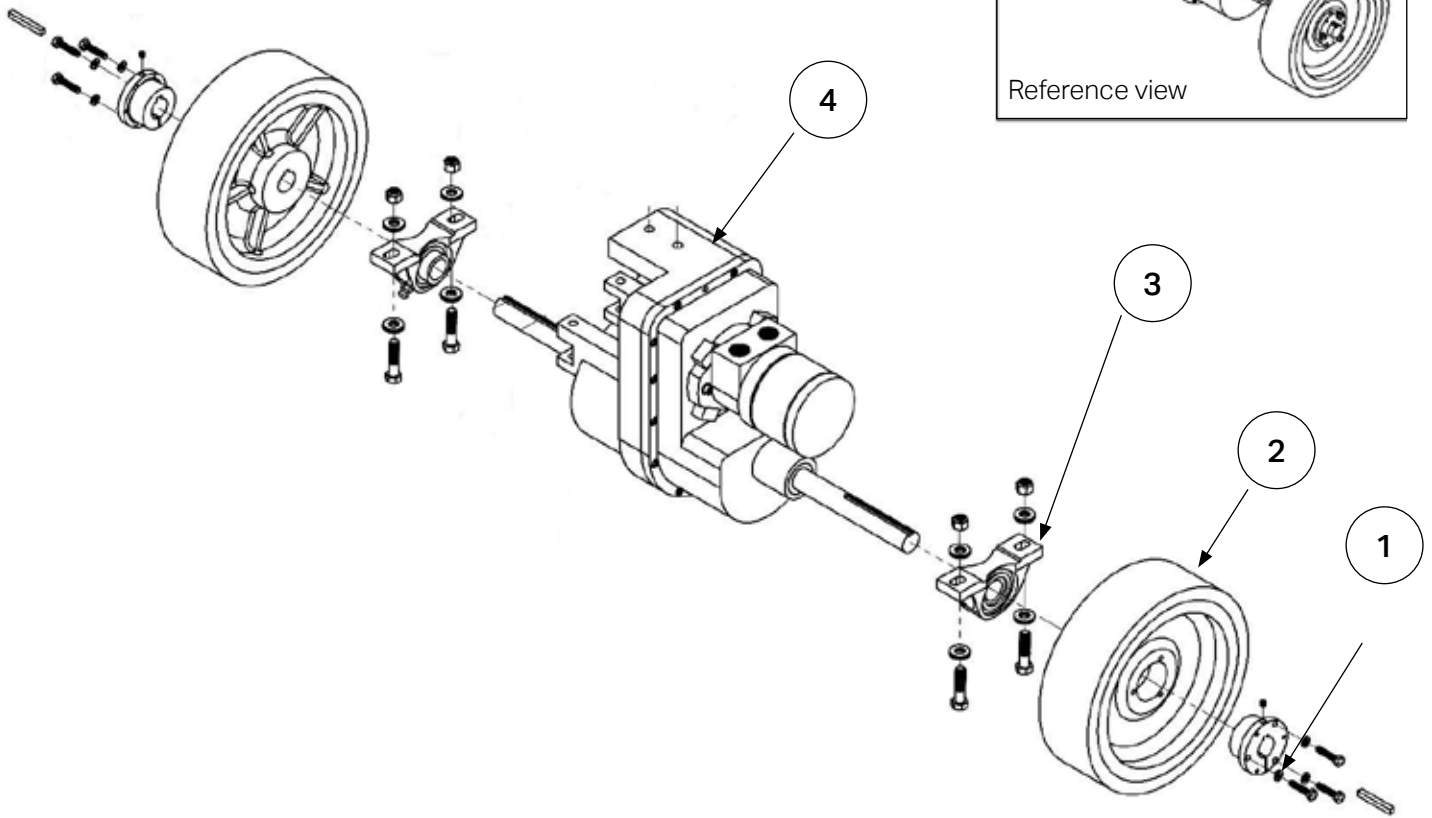


Item	Part Number	Qty per pack	Description	Qty Needed for view above
1	22845	1	THERMAL SWITCH, 185 DEGREES ON 165 OFF	1
2	42101	1	"OIL RESERVOIR TANK, 2 QUART (incl. cap. cap not sold separately)"	1
3	23162	1	AIR FILTER CLEANER ASSY W/ELEMENT (P821575 -DONALDSON)	1
4	23175	1	AIR FILTER HOOD	1
5	23176	1	AIR FILTER CLAMP	1
6	22212	1	O2 SENSOR	2
7	18387RP	1	"BRACKET, MUFFLER SECONDARY SHIELD (incl. hardware)"	1
8	23144RP	1	"BRACKET, PRIMARY CATALYST SHIELD (incl. hardware)"	1
9	18257RP	1	"HEAT SHIELD, FLEX PIPE (incl. U-bolt clamps & distorted thread lockout)"	1

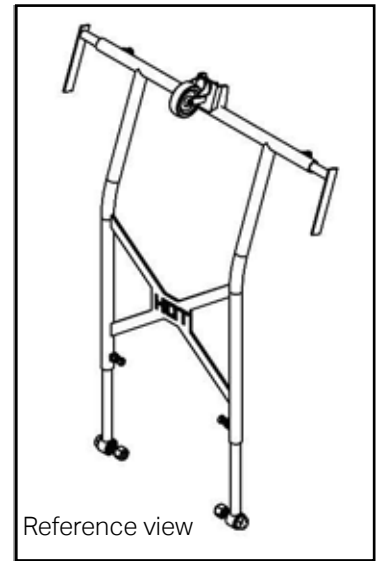
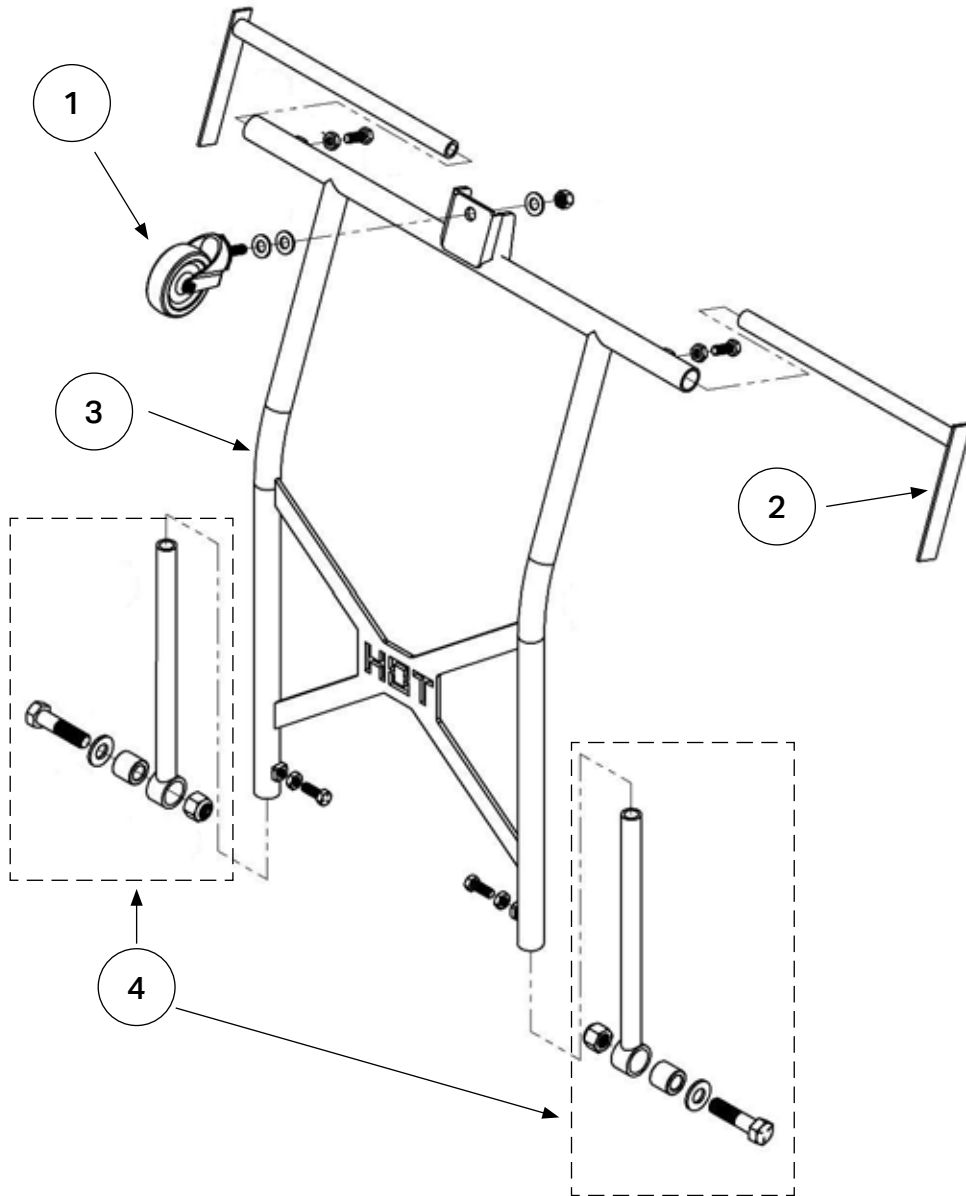


Item	Part Number	Qty per pack	Description	Qty Needed for view above
1	23895RP	1	"CATALYTIC CONVERTER, KUBOTA (kit incl hardware & heat wrap)**"	1
2	23142RP	1	TAIL PIPE KIT (kit incl gasket #5 and hardware)*	1
3	490414	1	GASKET, ENGINE TO FLEX PIPE	1
4	490181	1	GASKET, FLEX-PIPE TO CATALYST	1
5	23208	1	GASKET, CAT-TAIL PIPE	1
6	23143RP	1	FLEX PIPE KIT (kit incl. gaskets 3 & 4 and hardware)*	1

*Heat Shields and exhaust pipes sold separately.
See page 10



Item	Part Number	Qty per pack	Description	Qty Needed for view above
1	10191	1	QD BUSHING	2
2	45134	1	"REAR WHEEL, 10" X 3" X 1" TAPER BORE BLK NEOPR (part number includes one (1), recommended to purchase two (2) to maintain saw level)"	2
3	10145	1	PILLOW BLOCK BEARING, 1"	2
4	21163RP	1	ASSEMBLY, MERIT DIFFERENTIAL	1



Item	Part Number	Qty per pack	Description	Qty Needed for view above
1	45132	1	3" CASTER WHEEL, FOR POINTER	1
2	19138RP	1	BRACKET, POINTER GUIDE	2
3	18205RP	1	POINTER FRAME (does not incl castor wheel, item #1)	1
4	46123RP	2	POINTER TUBE, LOWER (comes in sets of two)	2