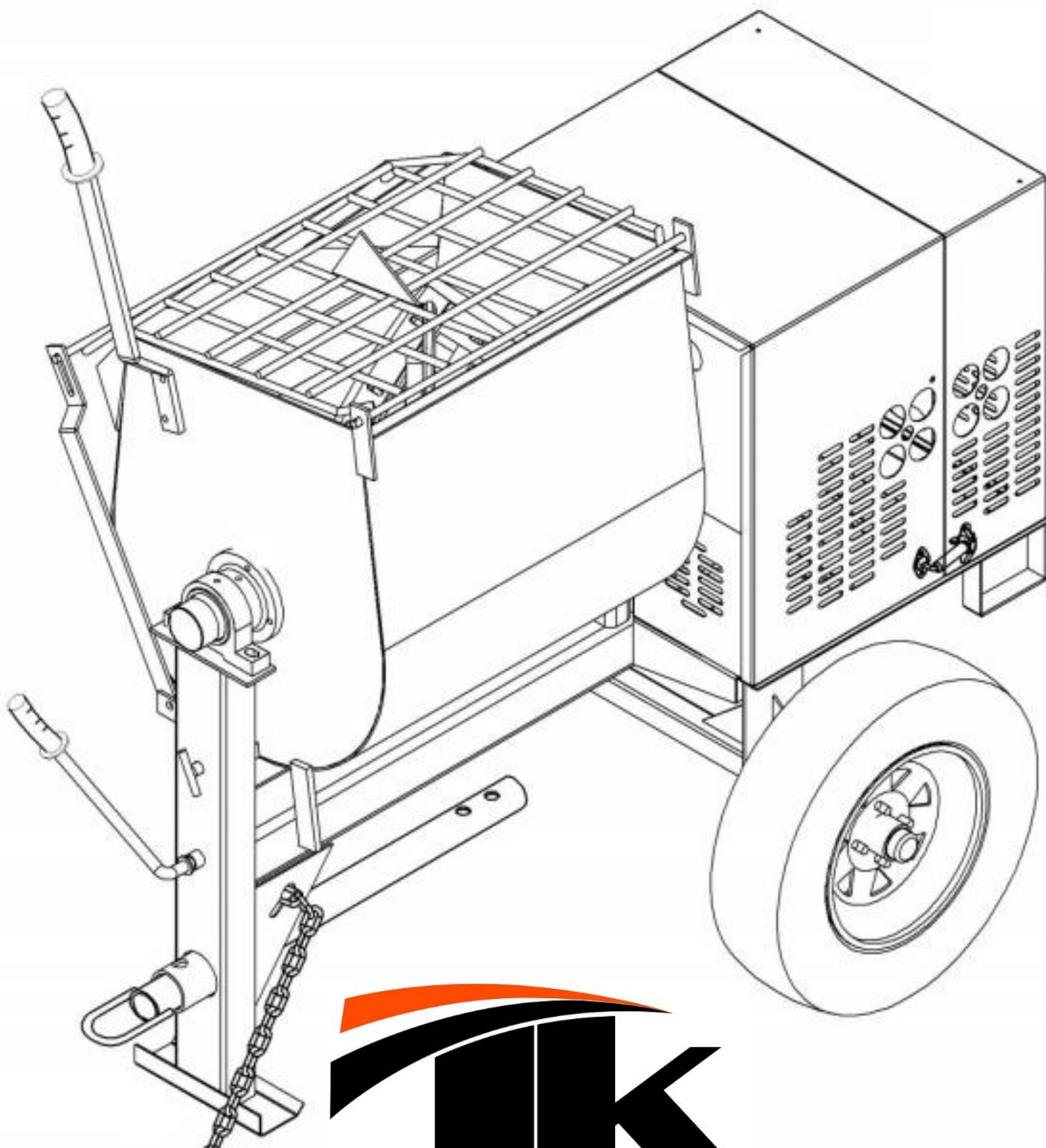
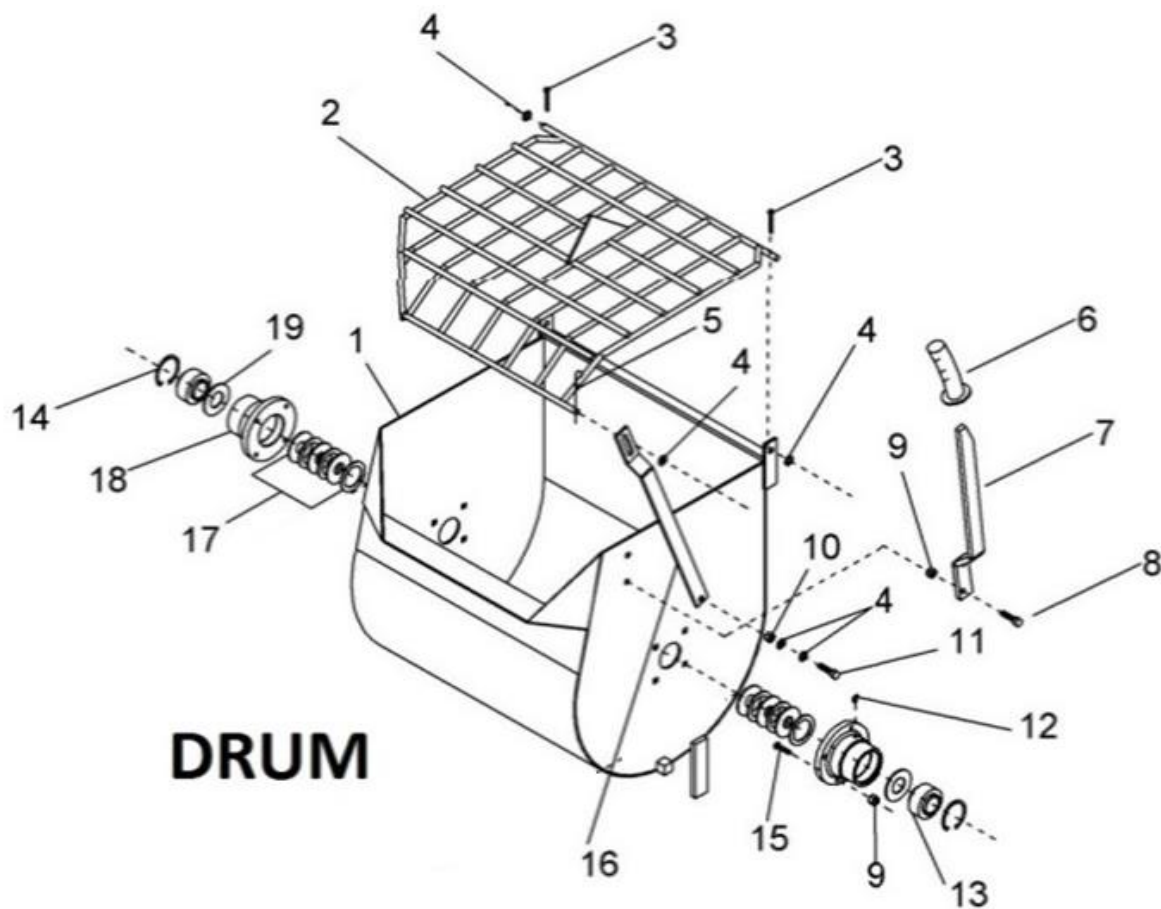


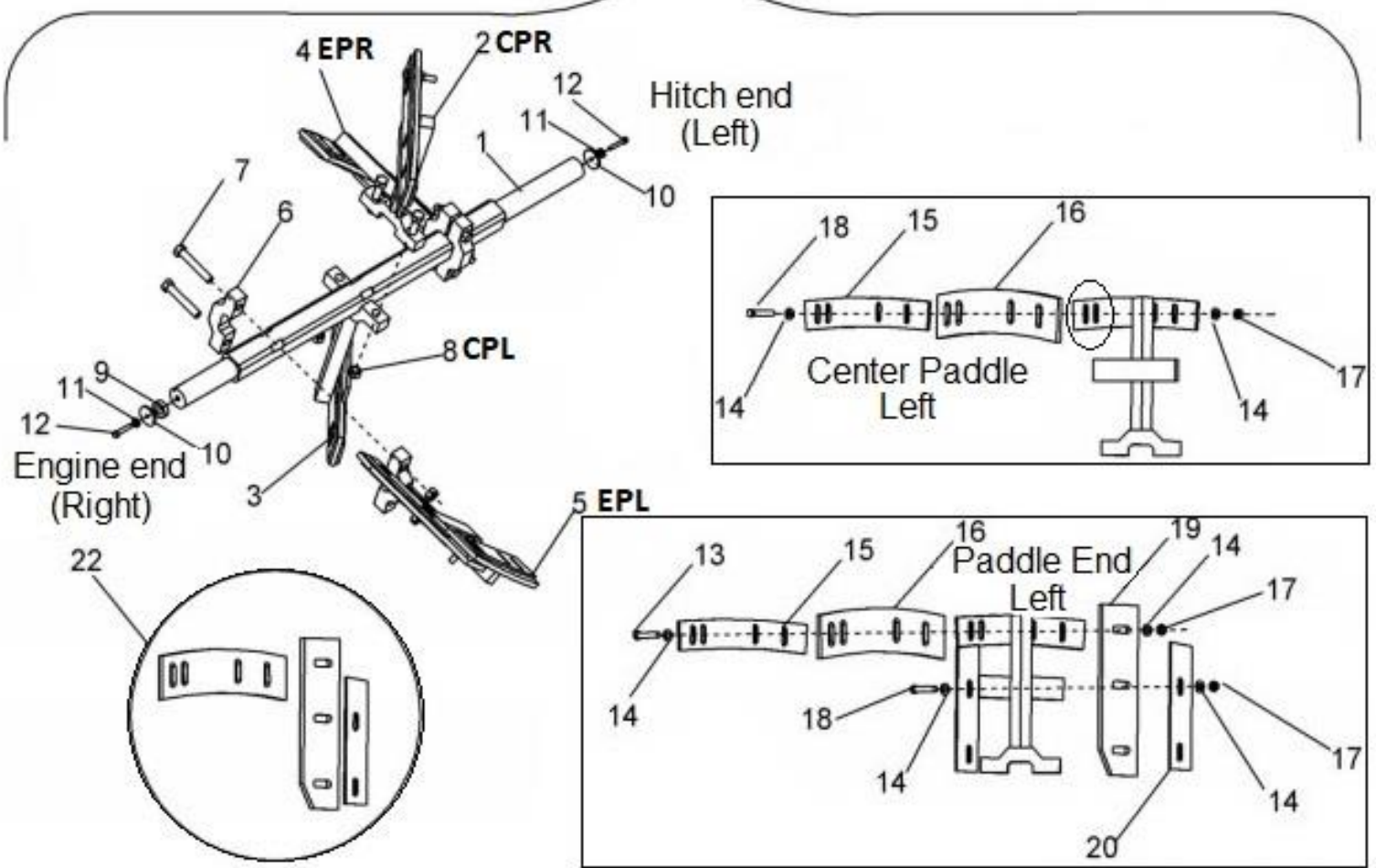
MM6 – MM8 – MM10 PARTS BREAKDOWN





DRUM ASSEMBLY						
#	SKU #	ID #	DESCRIPTION	MM6	MM8	MM10
1	0201CO01TQ	T164-1	DRUM MM6 (27-3/4") - T164-1	1		
1	0201KI01TQ	T211	DRUM ASSY COMPLETE MM6 (27-3/4") - T211	1		
1	0202CO01TQ	T302	DRUM MM8 (27-3/4") - T302		1	
1	0202KI01TQ	T212	MM8 DRUM ASSEMBLY COMPLETE (27-3/4") - T212		1	
1	0203CO01TQ	T402	DRUM MM10 (32-1/2")			1
1	0203KI01TQ	T213	DRUM ASSEMBLY COMPLETE MM10 (32-1/2")			1
2	0201CO01RJ	T167	DRUM GRID W/ BAG CUTTER MM6 - T167	1		
2	0202CO01RJ	T303	DRUM GRID W/ BAG CUTTER MM8 - T303		1	
2	0203CO01RJ	T403	DRUM GRID W/ BAG CUTTER MM10 - T403			1
3	CHA 316 2	T111	PIN COTTER, 3/16" X 2" SC3116200GAL - T111	2	2	2
4	RNPX012GAL	T105	PLAIN WASHER 1/2" - T105 - C172 - 174470	5	5	5
5	0111SR01LZ	T110	3/6" COTTER PIN CP-85H - SR00036EXT - T110 - 134955	1	1	1
*6	0000RF01RJ	T166	CONTROL & DUMPING HANDLE GRIPS - 139350 - T166 (ROUND)	1	1	1
6	0000RF01RJ-1	T166-1	CONTROL HANDLE GRIP T166-1 (FLAT)	1	1	1
7	0200CO01TQ	T168	DRUM DUMPING HANDLE W/ GRIP - T168	1	1	1
8	TOCD038112	T176	HEX BOLT 3/8" X 1-1/2" - T176 - C141 - 226230	2	2	2
9	TCCS038GAL	T114	HEX LOCK NUT 3/8" - 227830 - T114 - C142	10	10	10
10	TCCS012GAL	T106	HEX LOCK NUT 1/2" - T106 - 227854 - C304	1	1	1
11	TOCD012134	T189	HEX BOLT HD 1/2" X 1 3/4" - T189 - 226660	1	1	1
12	0000GRH045	T102	BEARING FITTING GREASE 45 DEG - T102 - 110689	2	2	2
13	0000BA20824	T175	BALL BEARING, 1746208-108 - 110450 - T175 (W/O GRS FITTING)	2	2	2
14	SM00300INT	T177	DRUM TRUNNION RETAINING RING 3" - T177	2	2	2
15	TOCL038112	T174	CARRIAGE BOLT 3/8" X 1-1/2" GR2 ZP - 117771 - 117771 - T174	8	8	8
16	0200SO01RJ	T115	DRUM DUMPING LOCK BAR 1/4 X 1-1/2 X 26-1/8 - T115	1	1	1
17	0200KI01TN	T172	DRUM HUB SEALS KIT (ONE END) - T172	2	2	2
18	0200CO01TN	T173-2	4 HOLES TRUNNION FOR 3/8" SCREWS - T173-2	2	2	2
19	0200LA01TN	T169	DRUM HUB STEEL SPACER - T169	2	2	2

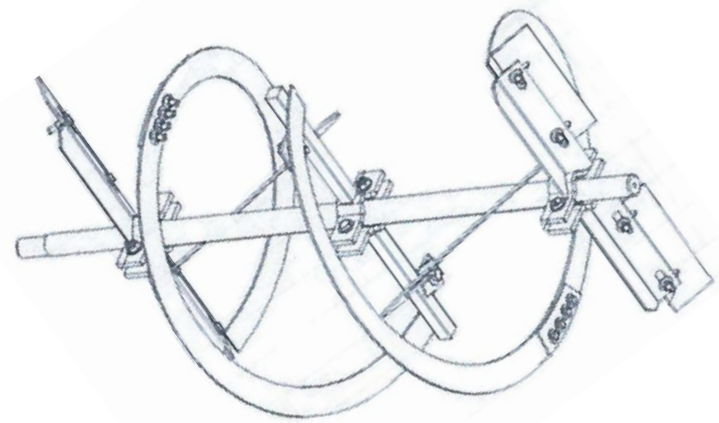
PADDLE ASSEMBLY



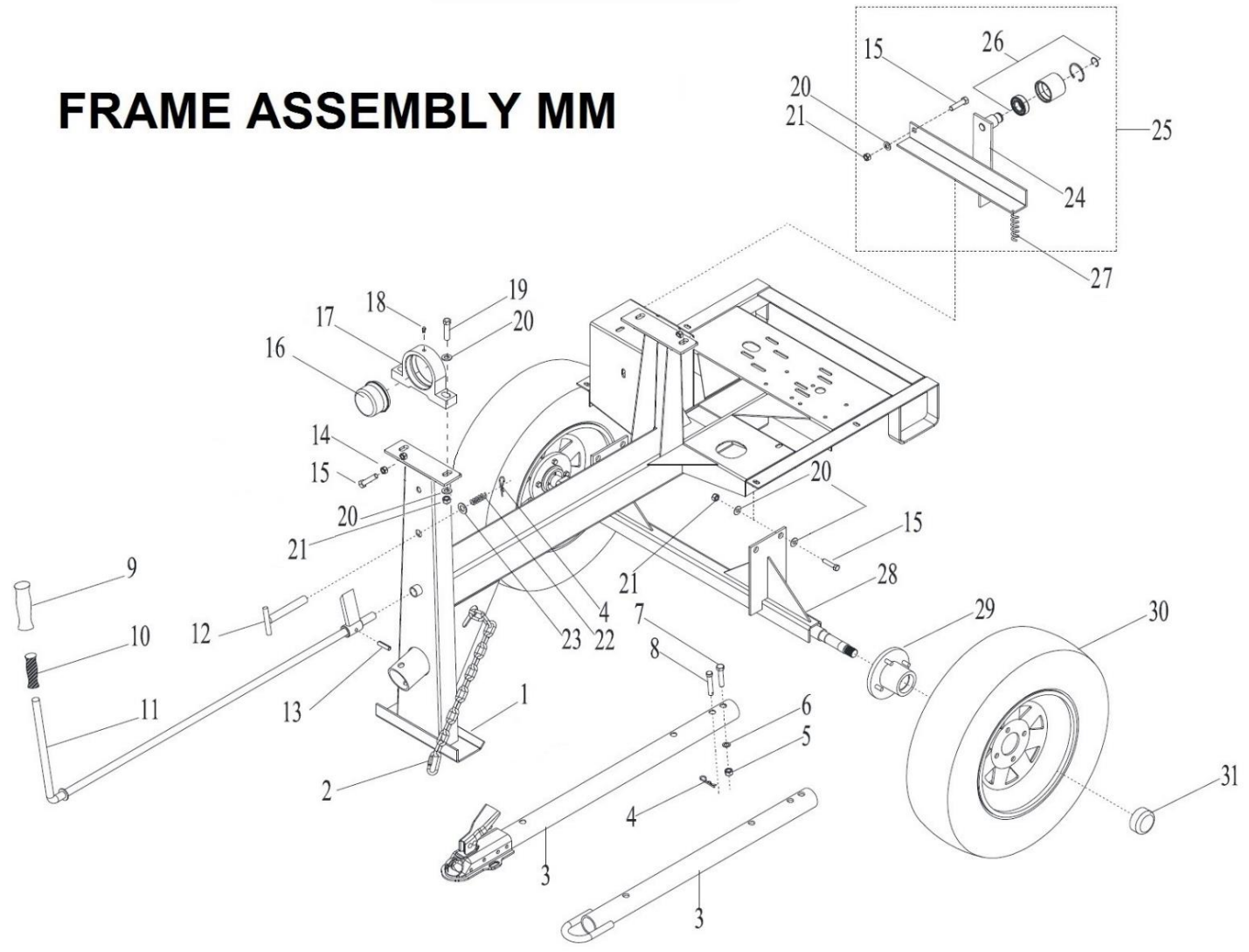
PADDLE ASSEMBLY						
#	SKU #	PART #	DESCRIPTION	MM6	MM8	MM10
1	0202CR01CH	T305	SQUARE MAIN SHAFT 1-3/4" X 38-7/8" - MM6/MM8 - T305	1	1	
1	0203CR01CH	T404	SQUARE MAIN SHAFT 1-3/4" X 43-5/8" - MM10/MM12 - T404			1
2	0201CO01AS-1	T179-2	CENTER PADDLE RIGHT ARM MM6 (1" GRIP) - T179-2	1		
2	0200CO01AS-1	T306-2	CENTER PADDLE RIGHT ARM MM8/MM10/HM12/HM16 (1" GRIP) - T306-2		1	1
3	0202CO01AS-1	T182-2	CENTER PADDLE LEFT ARM MM6 (1" GRIP) - T182-2	1		
3	0200CO02AS-1	T308-2	CENTER PADDLE LEFT ARM MM8/MM10/HM12/HM16 (1" GRIP) - T308-2		1	1
5	0201CO03AS-1	T191-2	ENGINE END, END PADDLE RIGHT ARM MM6 (1" GRIP) - T191-2	1		
4	0200SO03AS-1	T309-2	HITCH END, END PADDLE LEFT ARM MM8/MM10/HM12/HM16 (1" GRIP) - T309-2		1	1
4	0201CO02AS-1	T183-2	HITCH END, END PADDLE LEFT ARM MM6 (1" GRIP) - T183-2	1		
5	0200CO03AS-1	T314-2	ENGINE END, END PADDLE RIGHT ARM MM8/MM10/HM12/HM16 (1" GRIP) - T314-2		1	1
6	0200SO05AS-1	T188-2	PADDLE ARMS L/R BRACKETS MM6 TO MM12 (1" GRIP) - T188-2	2	2	2
7	TOCD012312	120520	HEX BOLT HD 1/2 X 3-1/2 - 120520 - 226745	6	6	6
8	TCCS012GAL	T106	HEX LOCK NUT 1/2" - T106 - 227854 - C304	6	6	6
9	0200TU01FC	T413	MAIN SHAFT BUSHING - T413	1	1	1
10	0200PL01FC	T152	MM PADDLE SHAFT PLAIN WASHER 3/16" - T152 - T162	2	2	2
11	RNRX038GAL	T113	LOCK WASHER 3/8 T113 - C144 -176230	2	2	2
12	TOFD038100	T116	HEX BOLT 3/8 X 1 NF - 226210 - T116	2	2	2
13	TOCD038200	T145	HEX BOLT HD, GR5 3/8" X 2" - 226250 - T145- C158	2	2	2
14	RNPX038GAL	T112	PLAIN WASHER 3/8" - T112 - C139 - 174986 - 701032 - C140	36	40	40
15	0201RF01AS	T180	CENTER PADDLE RUBBER BLADE MM6-MM12 - T186 - T307 - T312	4	4	4
16	0200SO01AS	T181	CENTER PADDLE STEEL BLADE 3/8" MM6 - MM12	4	4	4
17	TCCS038GAL	T114	HEX LOCK NUT 3/8" - 227830 - T114 - C142	18	20	20
18	TOCD038112	T176	HEX BOLT 3/8" X 1-1/2" - T176 - C141 - 226230	16	18	18
19	0201RF02AS	T184	END PADDLE SIDE RUBBER BLADE FOR MM6 - T184	2		
19	0200RF02AS	T310	END PADDLE SIDE RUBBER BLADE MM8/MM10/HM12/HM16 - T310		2	2
20	0201SO01AS	T185	END PADDLE SIDE STEEL BLADE 3/16 X 2 X 6-3/8 FOR MM6 - T185	2		
20	0200SO02AS	T311	END PADDLE SIDE STEEL BLADE MM80/MM12 - T311		2	2

COMPLETE PADDLE KITS						
#	SKU #	PART #	DESCRIPTION	MM6	MM8	MM10
21	0201KI01AS-1	T179-3	COMPLETE PADDLE & WIPERS SET FOR SET MM6 (1" GRIP) - T179-3	1		
21	0200KI01AS-1	T306-3	COMPLETE PADDLE & WIPERS SET MM8/MM10 (1" GRIP) - T306-3		1	1
22	0201KI03AS	T301-1	COMPLETE RUBBER BLADE KIT MM6 - T301-1	1		
22	0200KI03AS	T301	COMPLETE RUBBER BLADE KIT MM8 – MM12 - T301		1	1

SPIRAL KIT ASSEMBLY						
#	SKU #	PART #	DESCRIPTION	MM6	MM8	MM10
0	0201KI01ES	T206	MM6S SPIRAL BLADE KIT - T206	1		
0	0202KI01ES	T206-1	MM8S SPIRAL BLADE KIT - T206-1		1	
0	0203KI01ES	T206-2	MM10S SPIRAL BLADE KIT - T206-2			1

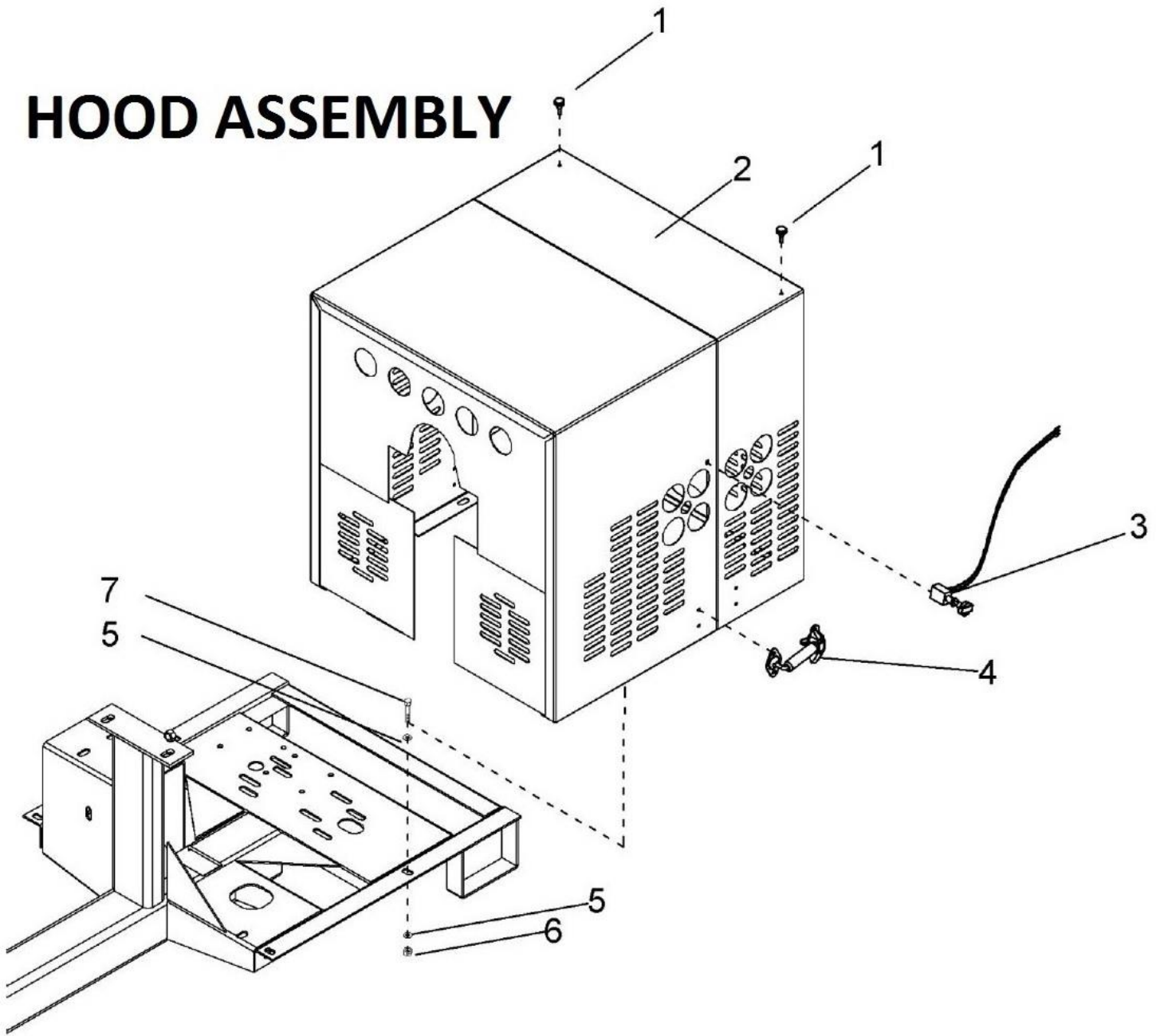


FRAME ASSEMBLY MM



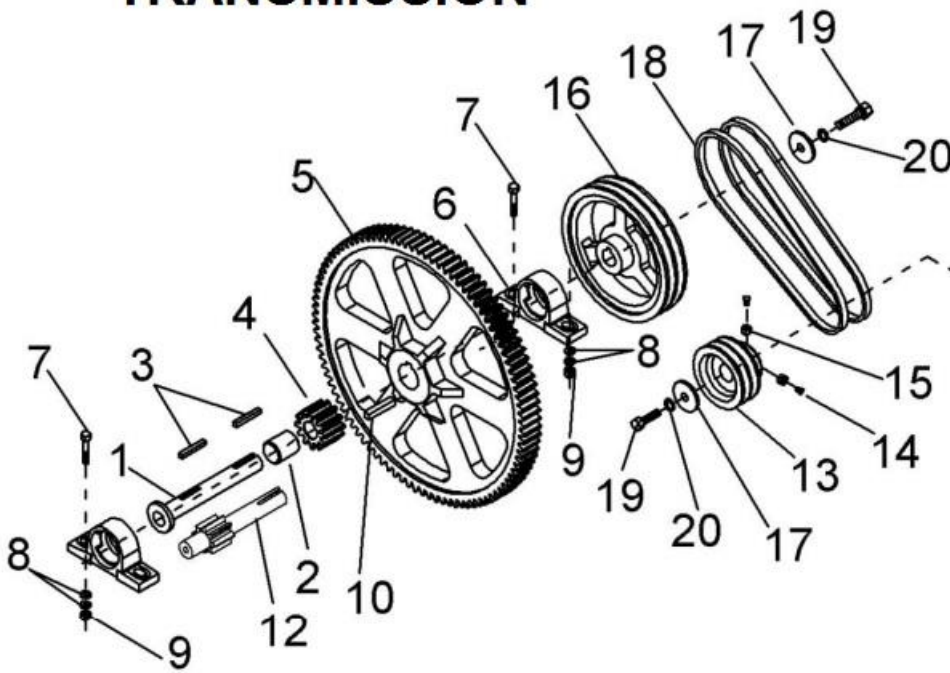
FRAME ASSEMBLY						
#	SKU #	PART #	DESCRIPTION	MM6	MM8	MM10
1	0201CO01CH	T200	FRAME MM6 (FROM S# 1 TO 4000) - T200	1		
1	0201CO01CH-1	T200-1	FRAME MM6 (FROM S# 4001 & UP) - T200-1	1		
1	0202CO01CH	T300	FRAME MM8 - T300	1	1	
1	0203CO01CH	T400	FRAME MM10 - T400			1
2	CAD3516GAL	T501	5/16 SAFETY CHAIN W/ OVAL SNAPS T501 - 609686 - 701012 - CA03316GAL	1	1	1
3	0000CO03LZ	T118-V	PINTLE HITCH VERTICAL HOLE - 702069 - T118 - C193	1	1	1
3	0000CO04LZ	T119-V	2" BALL HITCH VERTICAL HOLE - 702070 - T119	1	1	1
4	0111SR01LZ	T110	3/6" COTTER PIN CP-85H - SR00036EXT - T110 - 134955	1	1	1
5*	TCFN034GAL	T124	TOWING HITCH, HEX NUT, 3/4 NF - 701028 - T124 - C179 (OBSOLETE)	1	1	1
5	TCFN058GAL	T124-1	TOWING HITCH, HEX NUT, 5/8 NF - T124-1 - 701033	1	1	1
6*	RNRX034GAL	T123	TOWING HITCH, SPRING WASHER 3/4" - 174510 - T123 (OBSOLETE)	1	1	1
6	RNRX058GAL	T123-1	TOWING HITCH, SPRING WASHER 5/8" - T123-1 - 701032	1	1	1
7*	TOFD034312	T122	TOWING HITCH, HEX HEAD SCREW 3/4" X 3-1/2" - T122 - C148 - 226272 - 701001 (OBSOLETE)	1	1	1
7	TOFD058312	T122-1	TOWING HITCH, HEX HEAD SCREW 5/8" X 3-1/2" - T122-1 - 701035	1	1	1
8*	0000CR01LZ	T121	TOWING HITCH, LOCK PIN - T121 - C169 - 496088 - 702078 (OBSOLETE)	1	1	1
8	TOFD058312-A	T121-1	TOWING HITCH, LOCK PIN - T121-1 - 701031	1	1	1
9	0000RF01RJ	T166	CONTROL & DUMPING HANDLE GRIPS - 139350 - T166 (ROUND)	1	1	1
10	0000RF02TQ	T414	ENGAGEMENT HANDLE CHILD HAND GRIP - T414 - 701023	1	1	1
11	0200CO01CU	T117	ENGAGEMENT CONTROL HANDLE LEVER MM6/MM8 - T117	1	1	
11	0203CO01CU	T415	ENGAGEMENT CONTROL HANDLE LEVER MM10 - T415			1
12	0200CO01CH	T107	TOWING/DUMPING SPRING LOADED LOCK PIN	1	1	1
13	00PE038112	T505	CONTROL HANDLE LOCK PIN 3/8 X 1-1/2 - T505	1	1	1
14	TCCN012GAL	T190	HEX LOCK NUT 1/2" - T190 - C178 (WELDED TO FRAME)	2	2	2
15	TOCD012134	T189	HEX BOLT HD 1/2" X 1 3/4" - T189 - 226660	7	7	7
16	0000RF02CH	T126	MM DRUM BEARINGS DUST CAP - T126	1	1	1
17	00CHPI2300	T101	3" DRUM PILLOW BLOCK - T101	2	2	2
18	0000GRH045	T102	DRUM BEARING, GREASE FITTING 45 DEG - T102 - 110689	2	2	2
19	TOCD012212	T104	HEX BOLT HD 1/2" X 2-1/2" - T104 - C146 - 226690	4	4	4
20	RNPX012GAL	T105	PLAIN WASHER 1/2" - T105 - C172 - 174470	17	17	17
21	TCCS012GAL	T106	HEX LOCK NUT 1/2" - T106 - 227854 - C304	9	9	9
22	0000RF01CH	T109	TOWING/DUMPING, LOCK PIN SPRING - T109	1	1	1
23	RNPX034GAL	T108	PLAIN WASHER 3/4" X 1-1/2 - 174996 - T108 - 248277	1	1	1
24	0200CO02CU	T140	IDLER ARM BRACKET - T140 (NO IDLER BEARING)	1	1	1
25	0200CO04CU	T197	BEARING CLUTCH ASSEY WITH IDLER ARM BRACKET - T197	1	1	1
26	0200KI01CU	T197-1	BEARING IDLER CLUTCH ASSEY (NO IDLER ARM BRACKET) - T197-1	1	1	1
27	0000RF01CU	T192	ILDER ARM (CLUTCH) SPRING - T192	1	1	1
28	0200CO03RD	T125-2	STANDARD 46" AXLE MM6-MM12 (NO HUBS) - T125-2	1	1	1
28	0200CO04RD	T125-3	STANDARD 46" AXLE ASSY MM6-MM12 (INCLUDING HUBS) - T125-3	1	1	1
29	0200KI03RD	T129-1	WHEEL HUB W/ 1" BRG L44643 & DUST CAP - 702071 - T129 - C135 (NEW STYLE)	2	2	2
30	0000CO02RD	T137-12	WHEEL & TIRE ASSY 4.8 X 12" - T137-12 - C137 - 431063	2		
30	0000CO01RD	T137	WHEEL & TIRE ASSY 165-80 R13" - T137 - 431081 - C136	OP	2	2
31	0000RF10RD	T136-1	DUST CAP FOR WHEEL HUBS 1.98" (NEW STYLE) - 702087 - T136-1 - 464804	2	2	2
32*	TCMN012GAL	T138	WHEEL LUG NUT 1/2" X 20 - T138	8	8	8
33*	112210	T231	WHEEL HUB 1" BEARING L44643	2	2	2

HOOD ASSEMBLY

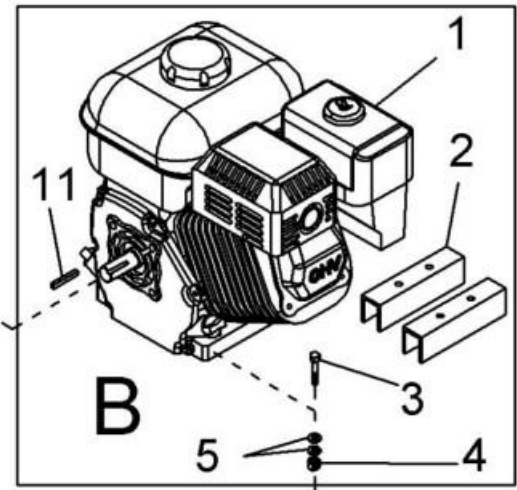


HOOD ASSEY						
#	SKU #	PART #	DESCRIPTION	MM6	MM8	MM10
1	0000RF01GA	T158	RUBBER SCREW 1/4" FOR SHROUD - T158 - C159 - 201544	2	2	2
2	0200CO01GA	T157	SQUARE SHROUD ASSEY W/KILL SWITCH MM6-MM10 - T157	1	1	1
3	1000KI04GA	T193	ENGINE KILL SWITCH ASSEY RED (WITH HARNESS) 701007 - T193	1	1	1
3	0200KI01GA	T195-1	ENGINE N.O KILL SWITCH RED (NO HARNESS) - 816769AS - 112500 - T195-1 - 290100	1	1	1
4	0000RF02GA	T160	SHROUD HOOK ASSEMBLY - T160 - C161 - 701004 - 201543	2	2	2
5	RNPX038GAL	T112	PLAIN WASHER 3/8" - T112 - C139 - 174986 - 701032 - C140	8	8	8
6	TCCS038GAL	T114	HEX LOCK NUT 3/8" - 227830 - T114 - C142	4	4	4
7	TOCD038112	T176	HEX BOLT 3/8" X 1-1/2" - T176 - C141 - 226230	4	4	4

TRANSMISSION



ENGINE



TRANSM. ASSEY						
#	SKU #	PART #	DESCRIPTION	MM6	MM8	MM10
1	0200CR01TR	T146	TRANSMISSION SHAFT 1" X 7-1/4" - T146	1	1	1
2	0200TU01TR	T205	TRANSMISSION BUSHING 1" X 1-5/8" MM6- MM10 - T205	1	1	1
3	0200CC03TR	T202	KEY 1/4" X 1-7/8" - T202 - 432340	2	2	2
3	0170CC01MO	T483	KEY 1/4 X 1-1/4 - 701027 - C152 - T483 - 0000CU01TR	2	2	2
4	0200CR04TR	T149	12 TH TRANSMISSION PINION 2-3/8" X 2 1/2" - T149	1	1	1
5	0200FG02TR	T151	96 TH TRANSMISSION BULL GEAR 14" - T151	1	1	1
6	00CHPI2100	T150	TRANSMISSION PILLOW BLOCK 1" - T150	2	2	2
7	TOCD038200	T145	HEX BOLT HD, GR5 3/8" X 2" - 226250 - T145- C158	2	2	2
8	RNPX038GAL	T112	PLAIN WASHER 3/8" - T112 - C139 - 174986 - 701032 - C140	4	4	4
9	TCCS038GAL	T114	HEX LOCK NUT 3/8" - 227830 - T114 - C142	2	2	2
10	0200CC01TR	T120	BULL GEAR KEY 3/8" X 2" - T120	1	1	1
11	0200CU02TR	T147	ENGINE KEY 1/4 FOR 8HP & 13HP - T147	OP	1	1
11	0200CU03TR	T147-1	ENGINE KEY 3/16" FOR 5HP - C514 - T147-1	1		
12	0200CR03TR	T1002	ELEC MIXER TRANSM PINION SHAFT 7-1/4" X 1" W/ 1-1/2" 8TH PINION - T1002	1	1	1
13	POFG3341002R	T154	PULLEY 3-3/4" CAL 1" X 2 GROOVES (2AK39X1) - 430990 - 702010 - T154	1	1	1
13	POFG3340342R	T154-1	PULLEY ENGINE, 2AK39 X 3/4" - 407790 - T154-1 - 702025	1 ELEC	1 ELEC	
13	POFG2120582R	T154-3	PULLEY MOTOR, 2-1/2" X 5/8" 2 GROOVES (2AK2558) - T154-3	1 ELEC		
13	POFG2120782R	T1000	PULLEY MOTOR, 2-1/2" CAL 7/8" 2 GROOVES - T1000 - 239365		1 ELEC	1 ELEC
13	POFG2121182R	T1001	PULLEY MOTOR, 2-1/2 CAL 1-1/8 X 2 GROOVES - T1001		1 ELEC	1 ELEC
14	OPCQ038100	T203	SET SCREW, 3/8 X 1" FOR 8HP - 13HP ENGINE PULLEY - T203		2	2
14	OPCQ038114	T203-1	SET SCREW 3/8" X 1-1/4" FOR 5HP ENGINE - C156 - OPCQ038114 - T203-1	2		
15	TCCN038GAL	T410	HEX NUT 3/8 NC - T410 - C142 - 227814	2	2	2
16	POFG8001002R	T153-2	PULLEY 8" CAL 1" 2 GROOVES - T153-2	1	1	1
17	0200PL01FC	T152	MM PADDLE SHAFT PLAIN WASHER 3/16" - T152 - T162	1	1	1
18	0000BNAX37	T155	GAS ENGINE TRASMISSION BELT, AX37 - T155	2	2	2
19	TOFD038100	T116	HEX BOLT 3/8" X 1" NF - 226210 - T116	1	1	1
20	RNRX038GAL	T113	LOCK WASHER 3/8" - T113 - C144 - 176230	1	1	1

ENGINE ASSEMBLY						
#	SKU #	PART #	DESCRIPTION	MM6	MM8	MM10
1	202004M	T171	ENGINE HONDA 5.5 HP GX160UQXE6 WITH 6:1 REDUCER - T171	1	1	
1	202009M	T304	ENGINE HONDA 8 HP O/A GX240 WITH 6:1 REDUCER - T304	1	1	1
2	0201PL01MO	T165	RAISING HEIGHT BRACKET FOR 5.5HP ENGINE - T165	2		
2	0201PL02MO	T484	RAISING HEIGHT 2" BRACKET FOR ELECTRIC MOTOR - T484	2	2	2
3	TOCD056300	T201	HEX BOLT HD 5/16" X 3" - 701009 - T201	4		
3	TOCD038200	C158	HEX BOLT HD, GR5 3/8" X 2" - 226250 - T145- C158		4	4
4	TCCS056GAL	T148	HEX LOCK NUT 5/16" - T148 - 227821	4		
4	TCCS038GAL	C142	HEX LOCK NUT 3/8" - 227830 - T114 - C142		4	4
5	RNPX056ESP	T198	PLAIN WASHER 5/16 I.D. X 3/4 O.D. - T198	8		
5	RNPX038GAL	C139	PLAIN WASHER 3/8" - T112 - C139 - 174986 - 701032 - C140		8	8
11			ENGINE KEY FOR 5HP ENGINE	1		
11	0200CU02TR	T147	ENGINE KEY 1/4 FOR 8HP & 13HP - T147		1	1

EXCHANGABLE DRUMS						
#	SKU #	PART #	DESCRIPTION	655	855	EM90
0	N/A	T561-L	655 EXCHANGEABLE DRUMS COMPLETE 24" LONG FOR TK PILLOW BLOCKS - T561-L	X		
0	N/A	T216-L	855 EXCHANGEABLE DRUM ASSEY 36-7/16" FOR TK PILLOW BLOCKS/HUBS - T216-L		X	
0	N/A	T215	EM-90 EXCHANGEABLE DRUM 27-3/4" - T215			X