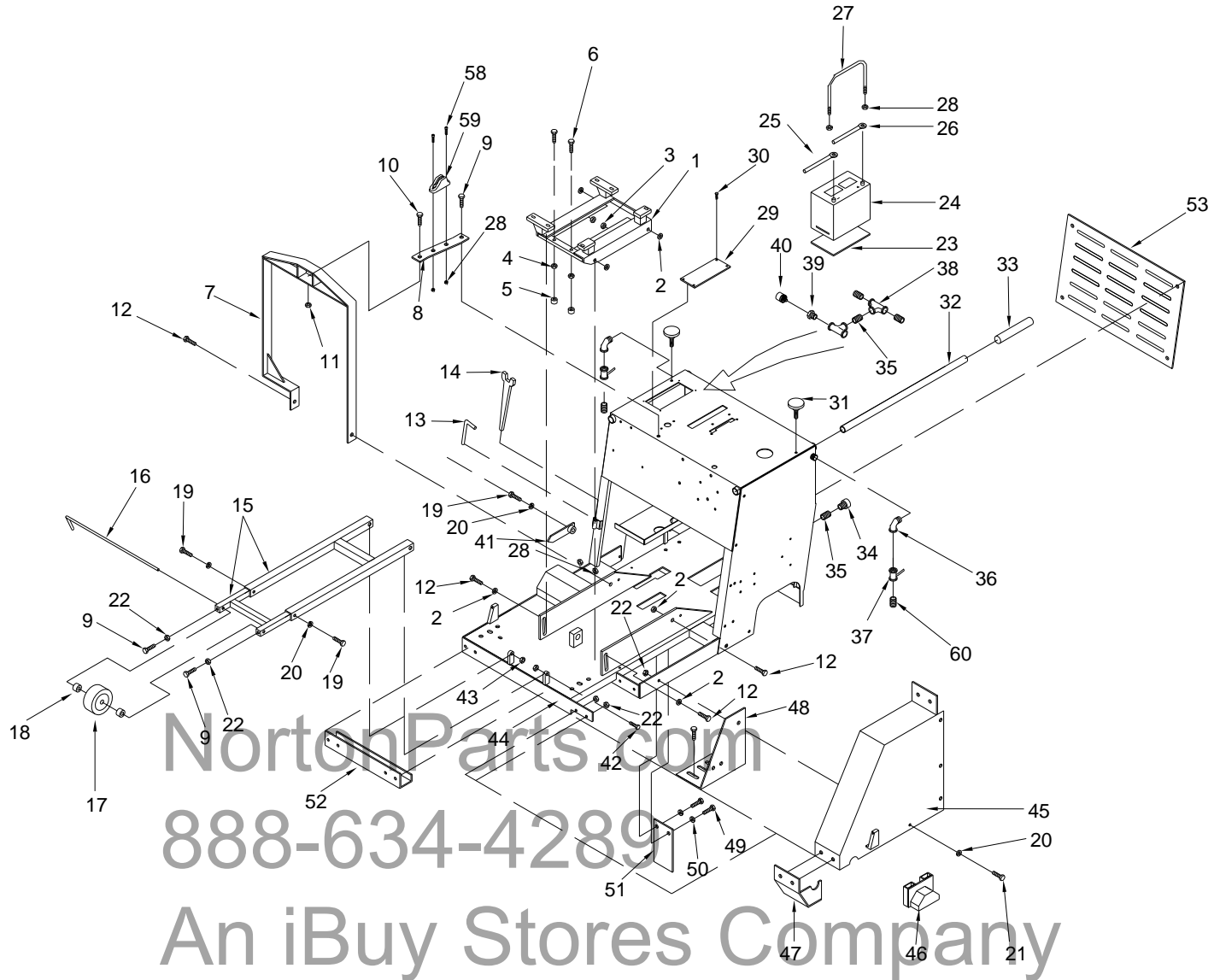


## C: Service Parts

### Main Frame Group 31HP and 61HP



## Main Frame Group 31HP and 61HP

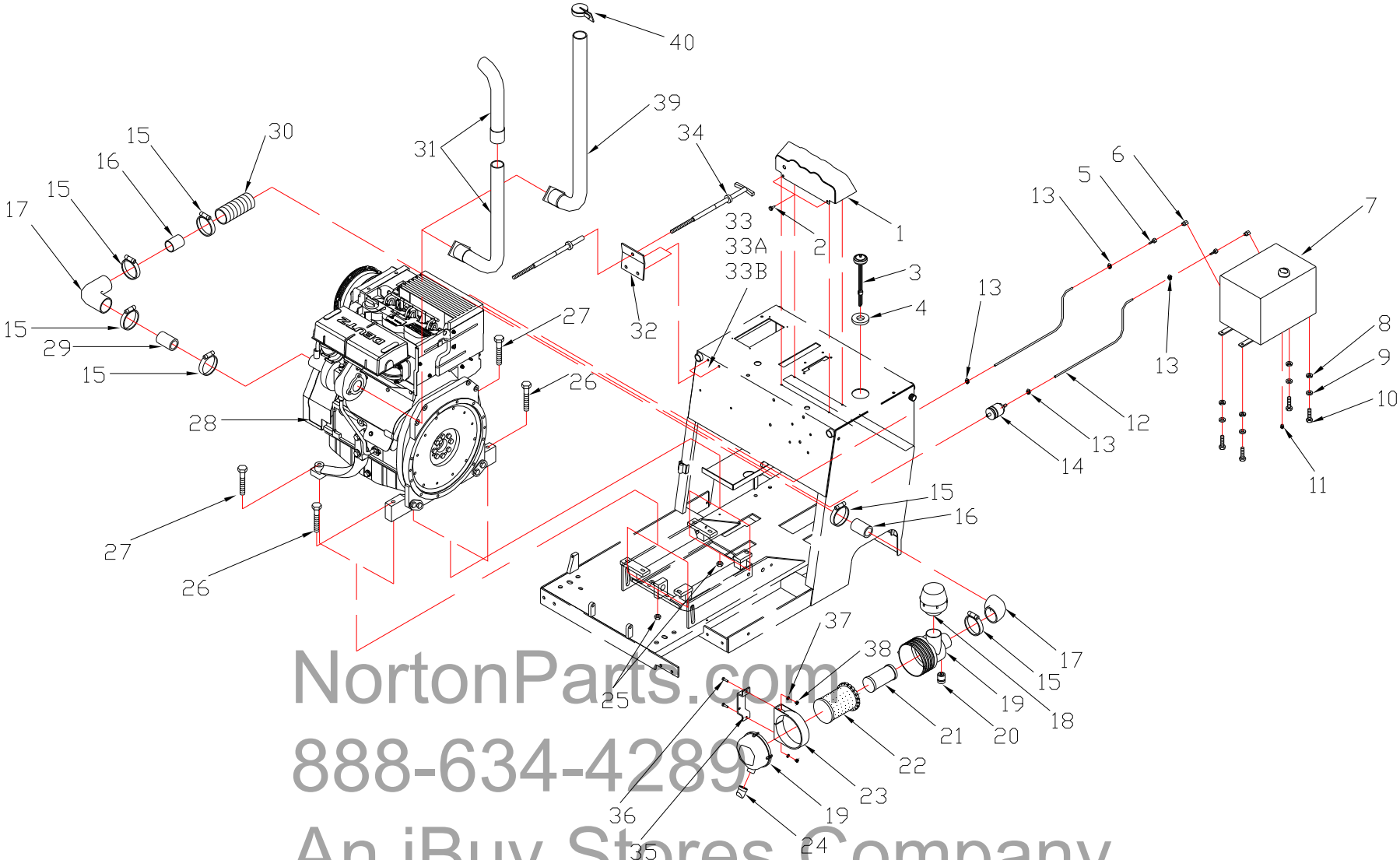
ITEM	DESCRIPTION	PART No.	ITEM	DESCRIPTION	PART No.
1	ENG. BASE WELDMENT	237338	27	BATTERY CLIP	237380
2	WASHER 5/8 SAE	8172013	28	NUT 1/4-20 HEX LOCK	8160001
3	NUT 5/8-11 HEX LOCK	8160007	29	COVER PLATE	237362
4	NUT 5/8-11 HEX	8142007	30	SCR 10-24 X 1 SOCKET HD	8042007
5	NYLON CAP	237369	31	HANDLE LOCK KNOB	N1C0002
6	SCR 5/8-11 X 5 HEX HD CAP	8041152	32	HANDLE BAR <b>GRIPS NOT INCL</b>	237350
7	LIFT FRAME	237366	33	HANDLE BAR GRIP <b>227101</b>	<del>N1C0004</del>
8	LIFT FRAME BRACE	237364	34	HOSE SWIVEL	N1D0082
9	SCR 3/8-16 X 1 1/4 HEX HD CAP	8041051	35	CLOSE NIPPLE	8411048
10	SCR 3/8-16 X 1 1/2 HEX HD CAP	8041052	36	PIPE ELBOW 1/2	N1D0016
11	NUT 3/8-16 HEX LOCK	8162003	37	WATER VALVE	N1C0021
12	SCR 5/8-11 X 2 1/2 HEX HD CAP	8041144	38	TEE 1/2" PIPE <b>OBS</b>	<del>N1D0045</del>
13	B/S LOCK PIN	N1C0094	39	REDUCER BUSHING	N1D0008
14	B/S WRENCH 15/16	N1C0112	40	WATER SAFETY SWITCH	224496
15	FRONT POINTER ASSEMBLY	237367	41	REAR POINTER	N1E0084
16	FRONT POINTER ROD	237368	42	SCR 1/2-13 X 3 HEX HD CAP	8041102
17	FRONT POINTER WHEEL <b>OBS</b>	<del>N1C0023</del>	43	NUT 1/2-13 HEX LOCK	8160005
18	COLLAR SET .500 I.D.	N1C0009	44	MAIN FRAME WELDMENT 61HP	237301
19	SCR THUMB 3/8-16 X 2	237418	44	MAIN FRAME WELDMENT 31HP	237302
20	WASHER 3/8 SPRING LOCK	8177012	45	BELT GUARD C31xx/C61xx	237312
21	SCR 3/8-16 X 1 HEX HD CAP	8041050	46	SHAFT GUARD WELDMNT	237391
22	SWITCH EMERGENCY STOP	237410	47	BELT PROTECTOR 30-48" Only	<del>237390</del> * <b>OBS</b>
23	MAT BATTERY	237429	48	BELT GUARD REINFORCEMENT	237313
24	BATTERY 12 V	-NA-	49	SCR 1/4-20 X 1 HEX HD CAP	8041006
25	BATTERY CAB. POS	237427	50	WASHER 1/4 SAE	8172007
26	BATTERY CAB. NEG	237428	51	MUD FLAP <b>OBS</b>	<del>N1C0042</del>

## Main Frame Group 31HP and 61HP

52	SHAFT COVER 61 HP	237398	56	NUT 3/8-16 HEX	8142003
52	SHAFT COVER 31 HP	237397	57	SCR 3/8-16 X 2 1/2 HEX HD CAP	8041056
53	CONSOLE REAR COVER 61 HP	237392	58	SCR 1/4-20 X 1-1/4 SOCKET HD CAP	8048093
53	CONSOLE REAR COVER 31 HP	237393	59	ROPE CLEAT	237267
54	Not Used	-NA-	60	CONNECTOR HOSE 3/4 GHTM 1/2 NPTM	N1D0287
55	Not Used	-NA-			

NortonParts.com  
 888-634-4289  
 An iBuy Stores Company

# Engine Group 61HP



NortonParts.com  
 888-634-4289  
 An iBuy Stores Company

Shown With Old Style Air Intake System. See Page 68 For New Style Air Intake System

## Engine Group 61HP

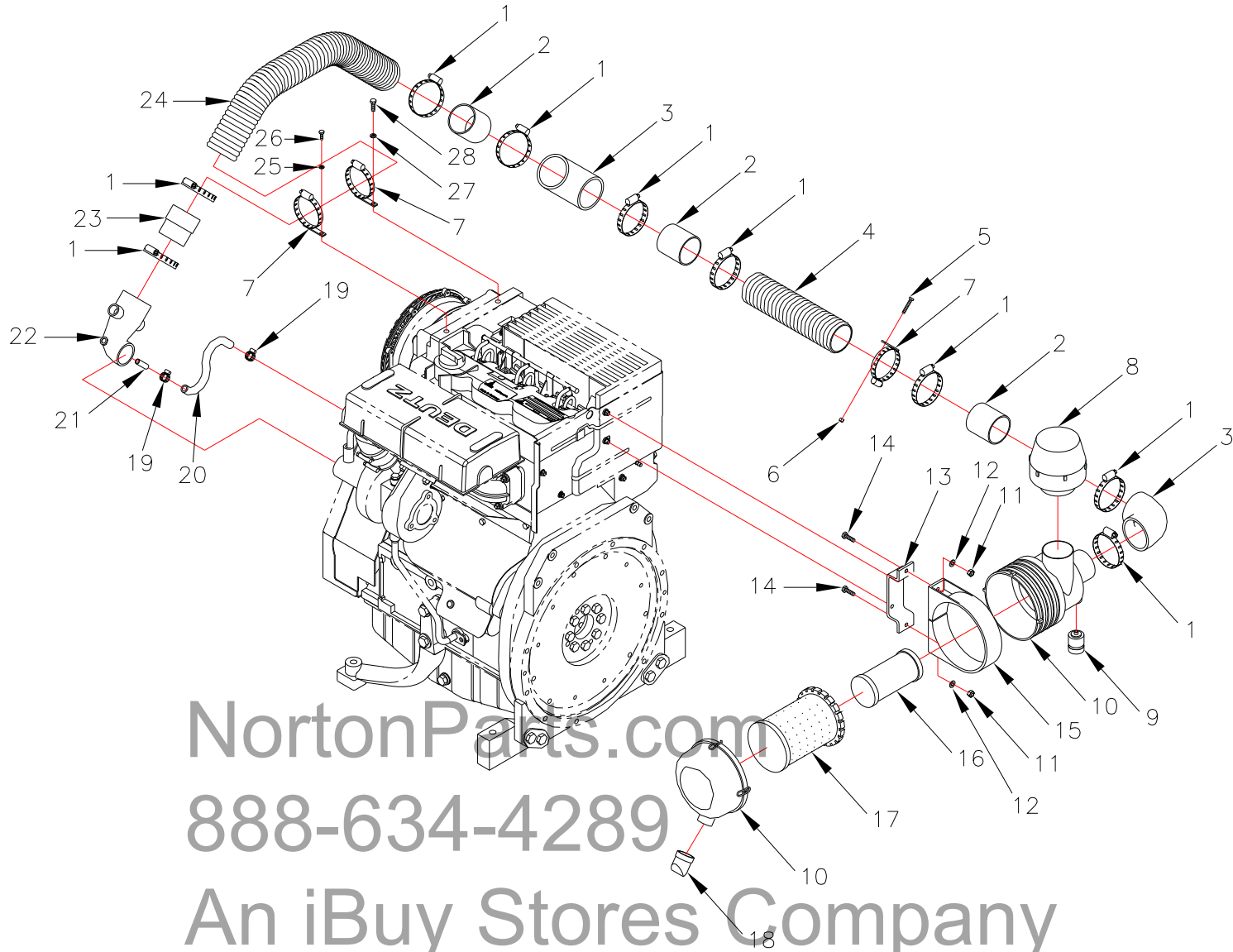
ITEM	DESCRIPTION	PART No.	ITEM	DESCRIPTION	PART No.
1	See INSTRUMENT PANEL Detail	-NA-	23	BRACKET MOUNTING AIR CLEANER <b>OBS</b>	<del>237278</del>
2	GROMMET <b>OBS</b>	<del>N1C0066</del>	24	DUST BOOT (VACUATOR VALVE)	<del>237279</del>
3	FUEL TANK CAP W/GAGE <b>OBS</b>	<del>237284</del>	25	NUT 7/16-14 HEX HEAD	8143004
4	FUEL TANK GROMMET	N1C0016	26	SCR 7/16-14 X 4 1/2 HEX HD CAP	<del>8041086</del>
5	FIT BARB HOSE 1/4FPTX5/16 <b>OBS</b>	<del>9602006</del>	27	SCR 7/16-14 X 3 1/2 HEX HD CAP	<del>8041082</del>
6	ELBOW 1/4MPT x 1/4FPT STREET BRASS	9499001	28	ENG 61 HP DEUTZ DIESEL F3L2011 Deutz Specification 74822	<del>236024</del>
7	FUEL TANK 237204	<del>237200</del>	29	COUPLER	237404
8	WASHER 5/16 SPING LOCK	8177011	30	AIR HOSE 3"ID X 47" LONG	237434
9	WASHER 5/16 SAE	8172008	31	MUFFLER COMPLETE 61HP	237411 *
10	SCR 5/16-18 X 1 HEX HD CAP	8041028	32	THROTTLE CABLE BRACKET	237336
11	PLUG HEX HEAD 1/2 MPT	237280	33	SCR 3/8-16 X 1 1/4 HEX HD CAP	8041051
12	FUEL LINE 5/16ID X 1/2"OD X 25"L <b>OBS</b>	<del>237433</del>	33A	WASHER 3/8 SPRING LOCK	8177012
13	CLAMP HOSE WORM 3/8"TO 5/8"	227126	33B	SCR 3/8-16 X 1 1/4 HEX HD CAP	8041051
14	IN-LINE FUEL FILTER	N1C0003	34	CABLE THROTTLE LOCK 5'	237241
15	BAND CLAMP 1-7/8TO5 SAE72 <b>OBS</b>	<del>235439</del>	35	MOUNT FILTER <b>OBS</b>	<del>237394</del>
16	COUPLER 3" x 3"	237403	36	SCR 5/16-18 X 1-1/4 HEX HD CAP	8041029
17	ELBOW 90° 3" x 3" 90°	237402	37	WASHER 5/16 SAE	8160002
-NA-	AIR CLEANER ASSY includes (18,19,20, 21, 22, 23,24, and 25)	X-10134	38	NUT 5/16-18 NYLOCK	8172008
18	PRE-CLEANER SYKLONE 9000R	237273	39	EXHAUST PIPE USE WITH RAIN CAP C61xx	237436
19	AIR CLEANER BODY <b>OBS</b>	<del>237274</del>	40	RAIN CAP 1-3/4"	237290
20	SERVICE INDUCATOR	<del>237275</del>			
21	AIR FILTER INNER (SAFETY)	237276			
22	AIR FILTER OUTER (PIRMARY)	<del>237277</del>			

**OBS**

888-634-4289

An IP... **\* Gasket Muffler BF3L2011 23602C**

## Air Intake C61xx Serial Number 07091070 and Higher



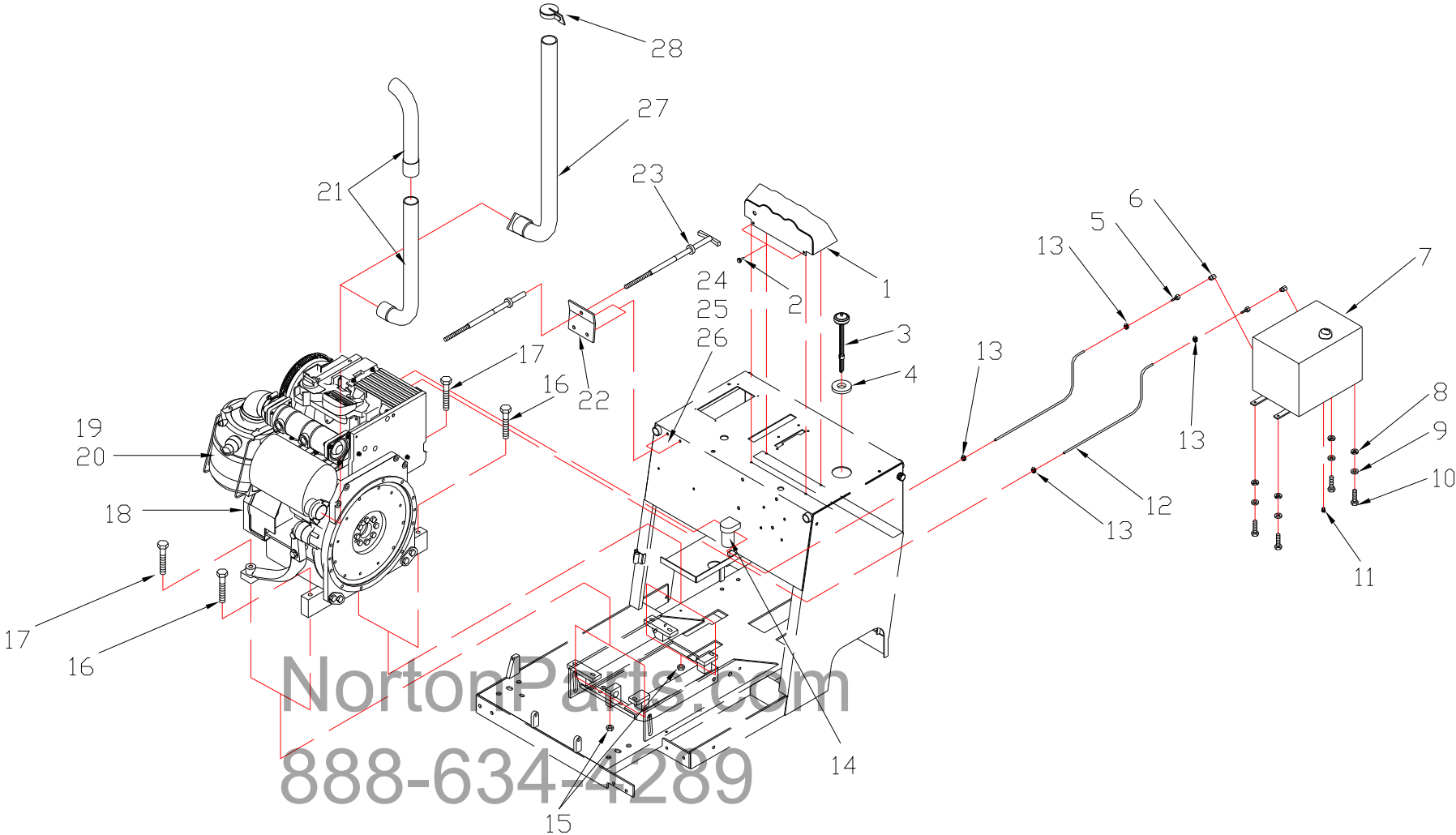
NortonParts.com  
888-634-4289  
An iBuy Stores Company

## Air Intake C61xx Serial Number 07091070 and Higher

ITEM	DESCRIPTION	PART No.	ITEM	DESCRIPTION	PART No.
1	BAND CLAMP 1-7/8 TO 5 SAE72 <b>OBS</b>	<del>235439</del>	14	SCR 5/16-18 X 1-1/4 HEX HD CAP	8041029
2	COUPLING 3"x3"	237403	15	BRACKET MOUNTING AIR CLEANER <b>OBS</b>	<del>237278</del>
3	ELBOW 90° 3"x3"	237402	16	AIR FILTER INNER (SAFETY)	237276
4	AIR HOSE 3"ID x 12" LONG <b>OBS</b>	<del>237439</del>	17	AIR FILTER OUTER (PIRMARY)	<del>237277</del> <b>OBS</b>
5	SCR 1/4-20X1 1/2 HEXHDC	8041008	18	DUST BOOT (VACUALTOR VALVE)	<del>237279</del> <b>OBS</b>
6	NUT 1/4-20 HEX LOCK NYLOK	8160001	20	TUBE 1/2"ID X 3/4"OD OIL RESISTANT BUNA	237288
7	AIR HOSE CLAMP/BRACKET C61xx <b>OBS</b>	<del>237443</del>	21	OIL VENT TUBE FROM DEUTZ ENGINE	-NA-
-NA-	AIR CLEANER ASSY C61xx includes (8, 9, 10, 15, 16, 17, 18, & 19)	X-10134	22	ELBOW TURBO INLET C61xx	237402A
8	PRE-CLEANER SYKLONE 9000R	237273	23	COUPLING 3"OD x 2-3/4"OD x 3" LONG	237404
9	SERVICE INDUCATOR <b>OBS</b>	<del>237275</del>	24	AIR HOSE 3"ID x 24" LONG	237440
10	AIR CLEANER BODY <b>OBS</b>	<del>237274</del>	25	WASHER 1/4 SPRING LOCK	8177010
11	NUT 5/16-18 NYLOCK	8160002	26	SCR 1/4-20X7/8 HEXHDCAP	8041005
12	WASHER 5/16 SAE	8172008	27	WASHER 5/16 SPRING LOCK	8177011
13	MOUNT FILTER <b>OBS</b>	<del>237394</del>	28	SCR 5/16-18 X 1 HEXHD CAP	8041028
			-NA-	AIR HOSE UPGRADE KIT Includes: ALL AIR HOSE COMPONENTS (1 qty=9, 2 qty=3, 3 qty=2, 4 qty=1, 5 qty=1, 6 qty=1, 7 qty=3, 19 qty=2, 20 qty=1, 22 qty=1, 23 qty=1, 24 qty=1)  Does not include Air Filter Assembly X-10134	237293

NortonParts.com  
 888-634-4289  
 An iBuy Stores Company

# Engine Group 31HP



NortonParts.com  
888-634-4289  
An iBuy Stores Company

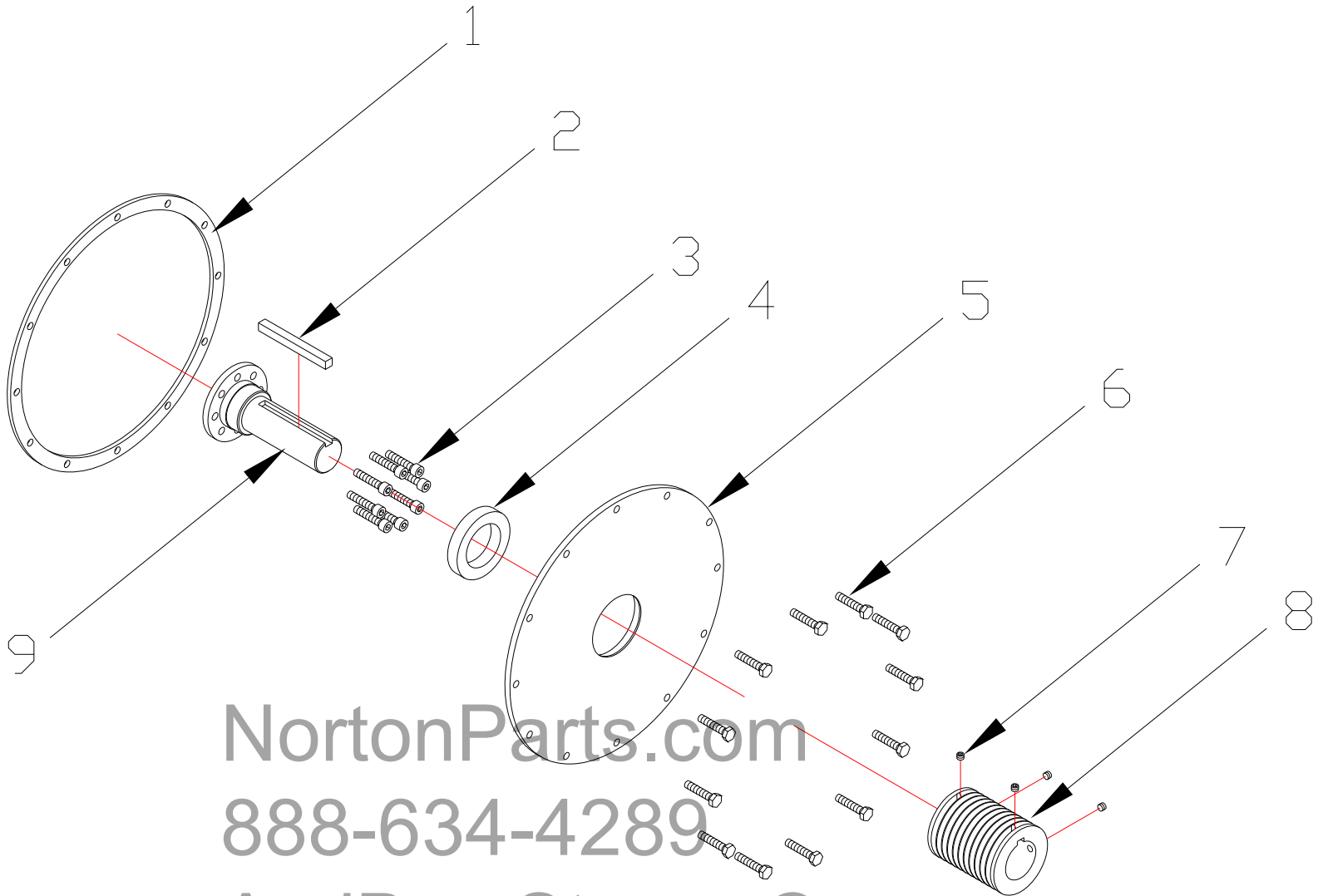
## Engine Group 31HP

ITEM	DESCRIPTION	PART No.	ITEM	DESCRIPTION	PART No.
1	See INSTRUMENT PANEL Detail	-NA-	15	NUT 7/16-14 HEX HEAD	8143004
2	GROMMET <b>OBS</b>	<del>N1C0066</del>	16	SCR 7/16-14 X 4 1/2 HEX HD CAP	<del>8041086</del> <b>OBS</b>
3	FUEL TANK CAP W/GAGE	<del>237284</del>	17	SCR 7/16-14 X 3 1/2 HEX HD CAP	<del>8041082</del>
4	FUEL TANK GROMMET	N1C0016	18	ENG 31 HP DEUTZ D. D2011L02i Deutz Specification 7622	<del>236032</del>
5	FIT BARB HOSE 1/4FPTX5/16 <b>OBS</b>	<del>9602006</del>	19	AIR FILTER ASSEMBLY 31HP	237281
6	ELBOW 1/4MPT x 1/4FPT STREET BRASS	9499001	20	AIR FILTER PRIMAERY 31HP ONLY	237282
7	FUEL TANK	237204	21	MUFFLER COMPLETE 31 HP	237412 *
8	WASHER 5/16 SPING LOCK	8177011	22	THROTTLE CABLE BRACKET	237336
9	WASHER 5/16 SAE	8172008	23	CABLE THROTTLE LOCK 5'	237241
10	SCR 5/16-18 X 1 HEX HD CAP	8041028	24	SCR 3/8-16 X 1 1/4 HEX HD CAP	8041051
11	SCR 1/2-20UNF X 1 HEX HEAD CAP <b>OBS</b>	<del>8042095</del>	25	WASHER 3/8 SPRING LOCK	8177012
12	FUEL LINE 5/16ID X 1/2"OD X 25"L	<del>237433</del>	26	SCR 3/8-16 X 1 1/4 HEX HD CAP	8041051
13	CLAMP HOSE WORM 3/8"TO 5/8"	227126	27	EXHAUST PIPE USE WITH RAIN CAP C31xx <b>OBS</b>	<del>237437</del>
14	FUEL FILTER ELEMENT 31HP ONLY	237285	28	RAIN CAP 1-3/4"	237290

\* Gasket Muffler BF3L2011  
~~236024C~~ OBS

NortonParts.com  
888-634-4289  
An iBuy Stores Company

# Stub Shaft Group 31HP and 61HP



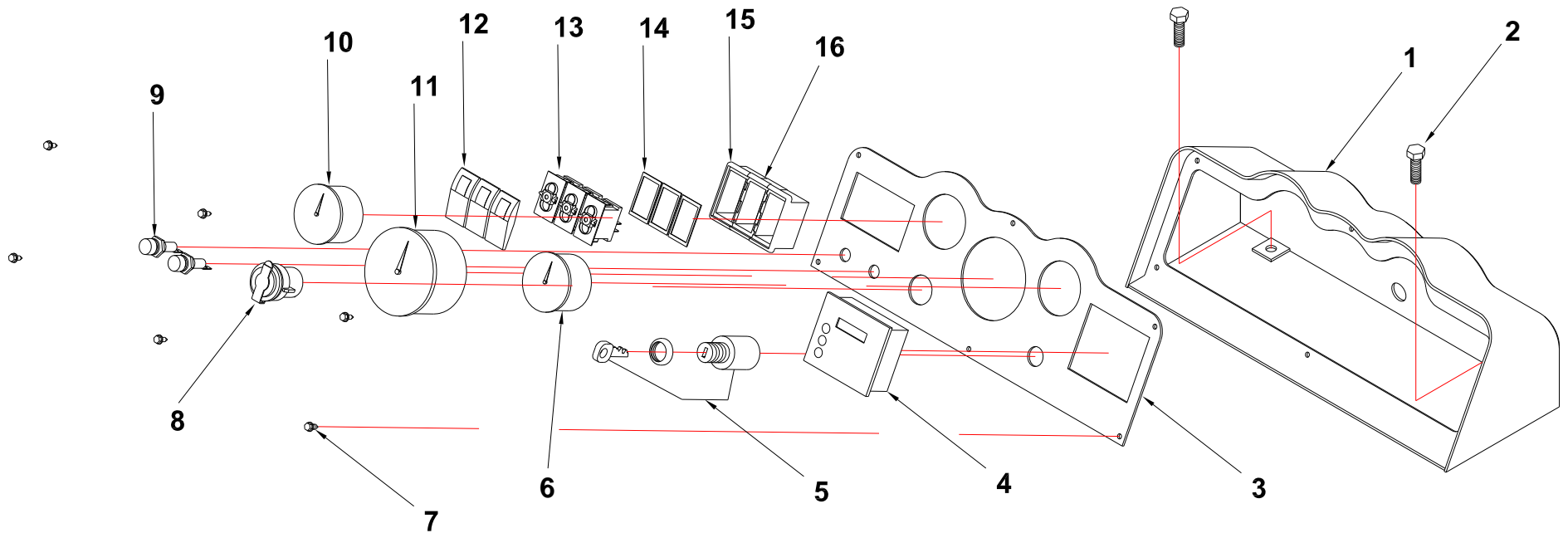
NortonParts.com  
888-634-4289  
An iBuy Stores Company

## Stub Shaft Group 31HP and 61HP

ITEM	DESCRIPTION	PART No.
1	SPACER RING BEARING PLATE	237131
2	KEY 1/2" X 1/2" X 5"	9201272
3	SCR M10 x 1.0 x 50 HEX HEAD CAP DIN912 (Sold Individually) (8 required)	237271
4	BEARING 6013C3	237432
5	BEARING PLATE	237218
6	SCR M10 X 50 1.5 DIN933 (Sold Individually) (31HP 12 required) (61HP 11 required)	237242
7	SCR 3/8-16 X 1/4" SET (Sold Individually) (4 required)	9083122
8	PULLEY 4" x 2" 11G 3VX Engine	237219
9	STUB SHAFT	237217

NortonParts.com  
 888-634-4289  
 An iBuy Stores Company

## Instrument Panel Group 31HP and 61HP



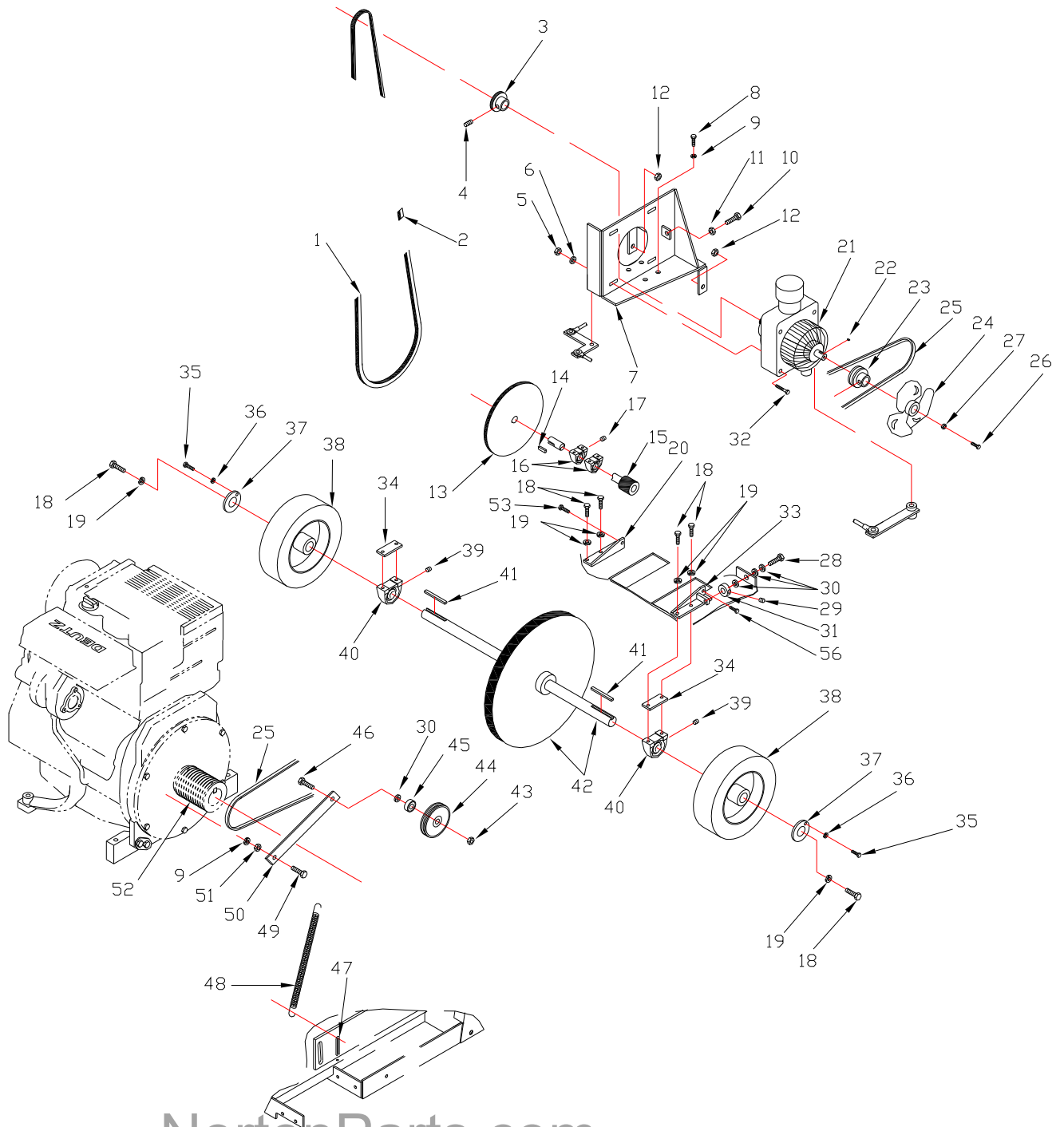
NortonParts.com  
888-634-4289  
An iBuy Stores Company

## Instrument Panel Group 31HP and 61HP

ITEM	DESCRIPTION	PART No.	ITEM	DESCRIPTION	PART No.
1	INSTRUMENT PANEL HOUSING	237226A	10	VOLT METER	237231
2	SCR 3/8-16 X 1 HEX HD CAP (Sold Individually (2 required) <b>OBS</b>	<del>9041050</del>	11	TACHOMETER <b>OBS</b>	<del>237228</del>
3	INSTRUMENT PANEL FRONT	237226B	12	SWITCH ACTUATOR (Sold Individually) (3 required)	237227A
4	CONTROL PANEL DEEP SEA	237233	13	SWITCH BODY (Sold Individually) (3 required)	237227
5	KEY SWITCH / ON OFF (Includes Key)	237234	14	GASKET SWITCH (Sold Individually) (3 required)	237227B
6	OIL PRESSURE GAGE	237232	15	MOUNTING PANEL END (Sold Individually) (2 required)	237227D
7	SCR 10-24 X 1 SOCKET HD (Sold Individually) (8 required)	8042007	16	MOUNTING PANEL MIDDLE (Sold Individually)	237227C
8	POWER POINT 12 VOLT DC <b>OBS</b>	<del>237230</del>			
9	FUSE HOLDER PANEL MOUNT (Sold Individually) (2 required)	<del>237229</del>			
-NA-	FUSE 20A 1/4x1-1/4 (For Accessories)	237270			
-NA-	FUSE 15A 1/4x 1-1/4 (For Engine)	107483			

NortonParts.com  
 888-634-4289  
 An iBuy Stores Company

# Transmission and Rear Axle Group 31HP and 61HP



NortonParts.com  
888-634-4289  
An iBuy Stores Company

## Transmission and Rear Axle Group 31HP and 61HP

ITEM	DESCRIPTION	PART No.	ITEM	DESCRIPTION	PART No.
1	# 40 DRIVE CHAIN	N1C0050	25	BELT 3VX670 (1)	237246
2	# 40 CONNECTOR LINK	N1C0051	26	SCR 10-24 X 1 ROUND HEAD	237415
3	CHAIN SPROCKET	N1C0055	27	WASHER #10 SPRING LOCK	8177007
4	SCR 1/4-20 X 1/4 SET CUP	407035	28	SCR 5/8-11 X 3-1/2 HEX HD <b>OBS</b>	<del>8041148</del>
5	NUT 3/8-16 HEX LOCK	8162003	29	SCR 5/16 X 1/4 SET <b>OBS</b>	<del>9083105</del>
6	WASHER 3/8 SAE ZN PLT	8172009	30	WASHER 5/8 SAE	8172013
7	TRANS PLATFORM 61HP	237319	31	COLLAR SET .625 I.D. <b>OBS</b>	<del>104132A</del>
7	TRANS PLATFORM 31HP	237320	32	SCR 3/8-16 X 3-1/2 HEX HD	<del>246395 8041060</del>
8	SCR 3/8-16 X 3/4 HEX HD CAP <del>8041048</del>	<del>8041049</del>	33	MOUNT FOOT, L.H.	237353
9	WASHER 3/8 SPRING LOCK	8177012	34	SPACER PLATE	N1E0074
10	SCR 5/16-18 X 2 HEX HD CAP	8041032	35	SCR 5/16-18 X 3/4 HEX HD	8041026
11	NUT 5/16-18 HEX	8142002	36	WASHER 5/16 SPRING LOCK	8177011
12	NUT 1/2-13 HEX LOCK	8160005	37	WHELL MOUNT WASHER	N1E0089
13	CHAIN SPROCKET	N1C0052	38	REAR WHEEL	N1C0061
14	KEY 3/16 X 2	9201086	39	GREASE ZERK <b>OBS</b>	<del>N1D0104</del>
15	JACKSHAFT C61xx/C31xx	237322	40	BEARING TAP BASE 1-1/4 (Sold Individually, 2 Required)	237422
16	BEARING TAP BASE 3/4" (Sold Individually 2 Required)	N1C0047	41	KEY 1/4 x 3-3/8	9201093A
17	GREASE ZERK <b>OBS</b>	<del>N1D0075</del>	42	REAR AXLE WELDMENT 31HP (Includes Large Gear)	237306
18	SCR 1/2-13 X 1-1/2 HEX HD CAP	8041096	42	REAR AXLE WELDMENT 61HP (Includes Large Gear)	237307
19	WASHER 1/2 SPRING LOCK	<del>8177014</del> <del>8176014</del>	43	NUT 5/8-11 HEX LOCK	8160007
20	MOUNT FOOT R.H.	N1E0048	44	IDLER PULLEY <b>237335</b>	<del>237342</del>
21	TRANSMISSION M6	106344	45	BEARING 99R10	237408
22	# 6 WOODRUFF KEY 1/8 x 1/2	9203009	46	SCR 5/8-11 X 2 HEX HD CAP <b>OBS</b>	<del>8041142</del>
23	TRANSMISSION PULLEY	237323	47	PIN 3/16 X 2 COTTER <b>OBS</b>	<del>8497063</del>
24	TRANSMISSION FAN	N1C0059	48	SPRING	N1C0046



1. **Speed Control Lever:**

The operator's right hand lever is the Forward/Reverse Lever. The Forward/Reverse Lever is used to control the speed and direction of the machine. The machine is equipped with a Neutral Lockout which prevents the Forward/Reverse Lever from accidentally being moved from the Neutral Position. The further the Forward/Reverse Lever is moved the faster the machine will move in that direction.

2. **Transmission Engage/Disengage Lever:**

Transmission Engage/Disengage lever has two (2) positions onto which it can be moved: Engaged position (Up) allows the transmission to operate the rear drive wheels by the means of meshing a Small Pinion Gear with a Larger Gear attached to the Rear Axle. When the Transmission Engage/Disengage Lever is moved to the Disengage (Down) position the saw can be "Free Wheeled" or moved without running the engine. **NOTE: When parking the saw, it should always be left in the Engaged position, Speed Control Lever in the neutral position, the engine OFF, and perpendicular (right angle) to the grade (hill).**



**CAUTION:** Only move the Engage the Engage/Disengage Lever when the Transmission Forward/Reverse Lever is in the Neutral Position. Engaging the Engage/Disengage Lever when the Transmission Forward/Reverse Lever is in any other position can damage the Rear Axle Drive Gears

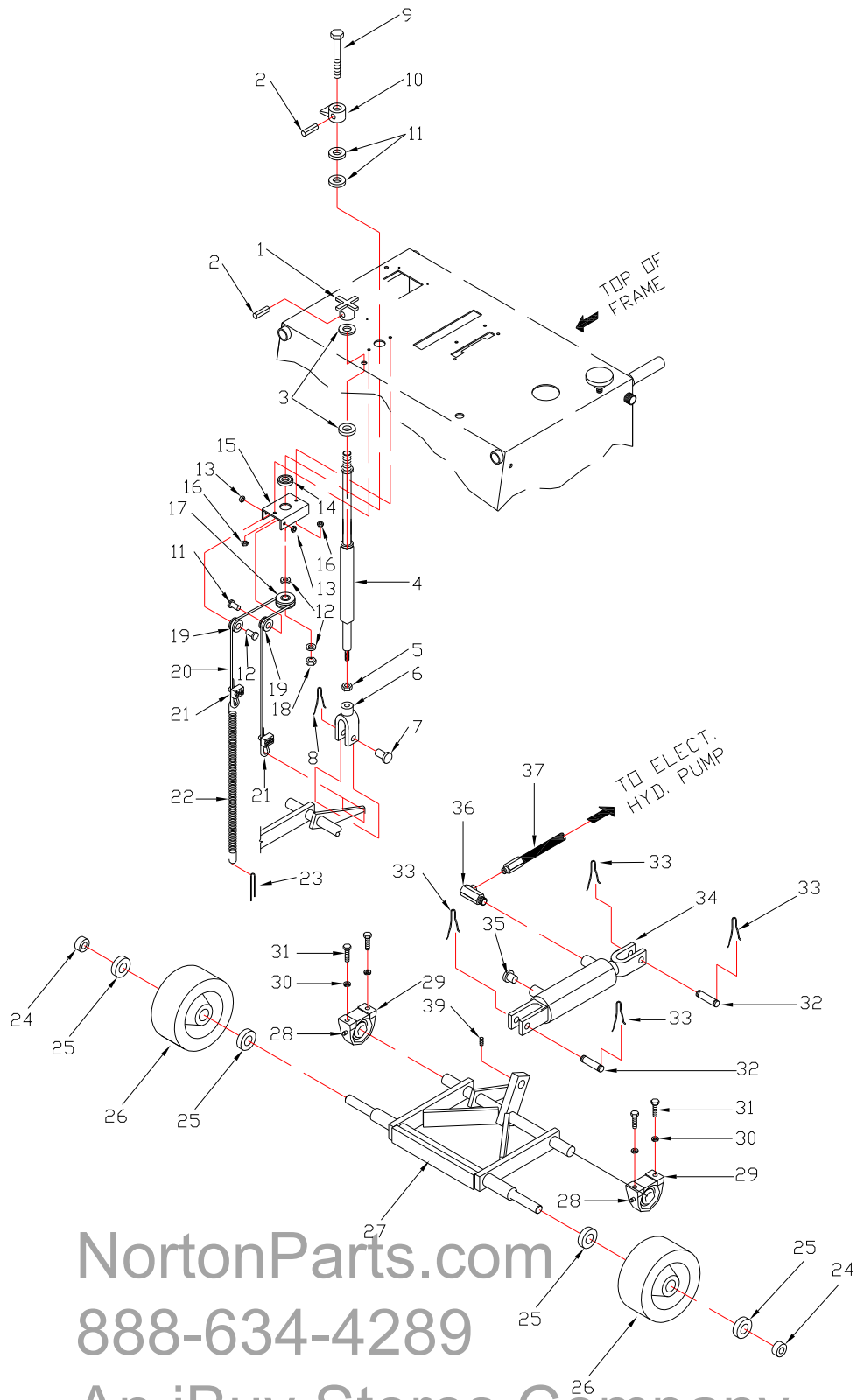
An iBuy Stores Company

## Transmission and Rear Axle Group

ITEM	DESCRIPTION	PART No.	ITEM	DESCRIPTION	PART No.
49	SCR M10 X 50 1.5 DIN933	237242	52	SEE STUB SHAFT GROUP	-NA-
50	IDLER ARM	N1E0075	53	SCR 1/2-13 X 1-3/4 HEX HD CAP	8041097
51	NUT M10 1.5 DIN933	27006			

NortonParts.com  
 888-634-4289  
 An iBuy Stores Company

# Depth Stop and Front Axle Group 31HP and 61HP



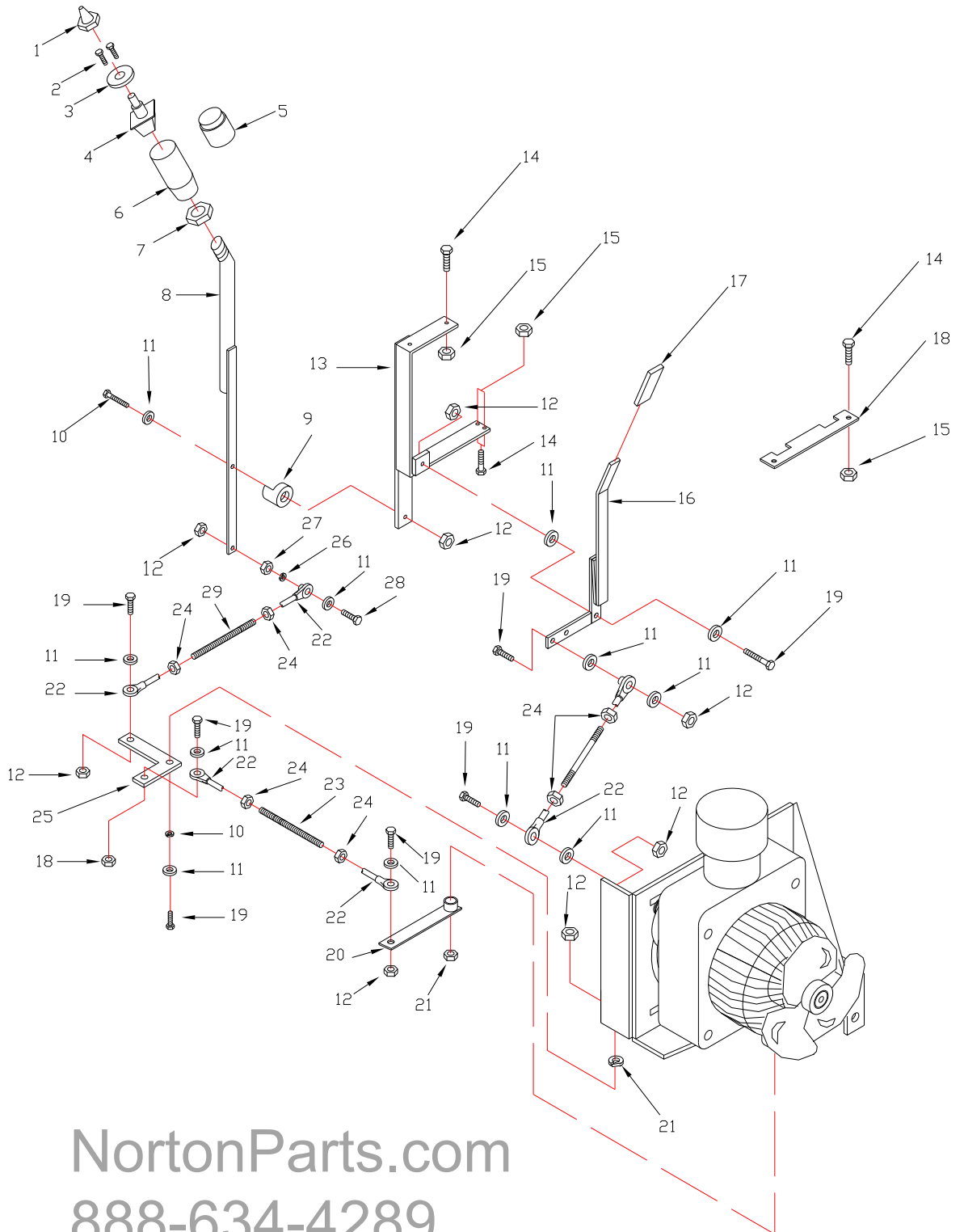
NortonParts.com  
888-634-4289  
An iBuy Stores Company

## Depth Stop and Front Axle Group 31HP and 61HP

ITEM	DESCRIPTION	PART No.	ITEM	DESCRIPTION	PART No.
1	DEPTH STOP HANDLE	N1C0078	21	CABLE CLAMP	N1C0085
2	PIN 1/8 X 1 ROLL	237406	22	SPRING	N1C0083
3	WASHER 1/2 SAE	8172011	23	COTTER PIN 3/16 X 2 <b>300445</b>	<del>237407</del>
4	DEPTH STOP	N1E0054	24	COLLAR SET 1 <b>200225A</b>	<del>N1C0087</del>
5	NUT, 1/2-13 HEX JAM	8143005	25	WASHER 1" SAE	8172017
6	CLEVIS	N1C0090	26	FRONT WHEEL 8" x 3" x 1"	N1C0847
7	CLEVIS PIN	N1D0078	27	FRONT AXLE WELD 61HP	237330
8	COTTER PIN 1/8 X 1 <b>OBS</b>	<del>N1D0079</del>	27	FRONT AXLE WELD 31HP	237331
9	SCR 3/8-16 X 2 1/2 HEX HD CAP	8041056	28	GREASE ZERK <b>OBS</b>	<del>N1D0076</del>
10	DEPTH IND. POINTER	N1E0327	29	BEARING TAP BASE 1-1/4	237422
11	SCR 1/4-20 X 1 HEX HD CAP	8041006	30	WASHER 1/2 SPRING LOCK <b>8177014</b>	<del>8176014</del>
12	WASHER 3/8 SAE ZN PLT	8172009	31	SCR 1/2-13 X 1 1/4 HEX HD CAP	8041095
13	NUT, 1/4-20 HEX LOCK	8160001	32	CYLINDER PIN	237247
14	FLANGE BEARING	N1C0077	33	HAIR PIN COTTER	237266
15	DEPTH INDICATOR MNT BR	N1E0063	34	HYDRAULIC CYLINDER <b>OBS</b>	<del>N1C0082</del>
16	NUT, 1/4 - 20 HEX HD CAP <b>8142001</b>	<del>8124001</del>	35	CYLINDER BREATHER	N1D0080
17	CABLE PULLEY	N1E0001	36	BUSHING 1/2 X 1/4 REDUCING <b>OBS</b>	<del>9510004</del>
18	NUT, 3/8-16 HEX LOCK	8162003	37	HYDRAULIC HOSE ASSY	N1C0093
19	CABLE PULLEY	N1C0076	38	SCR 3/8-16 X 1/2 SET	227107
20	DEPTH IND. CABLE	N1C0086			

NortonParts.com  
 888-634-4289  
 An iBuy Stores Company

# Controls and Lever Group



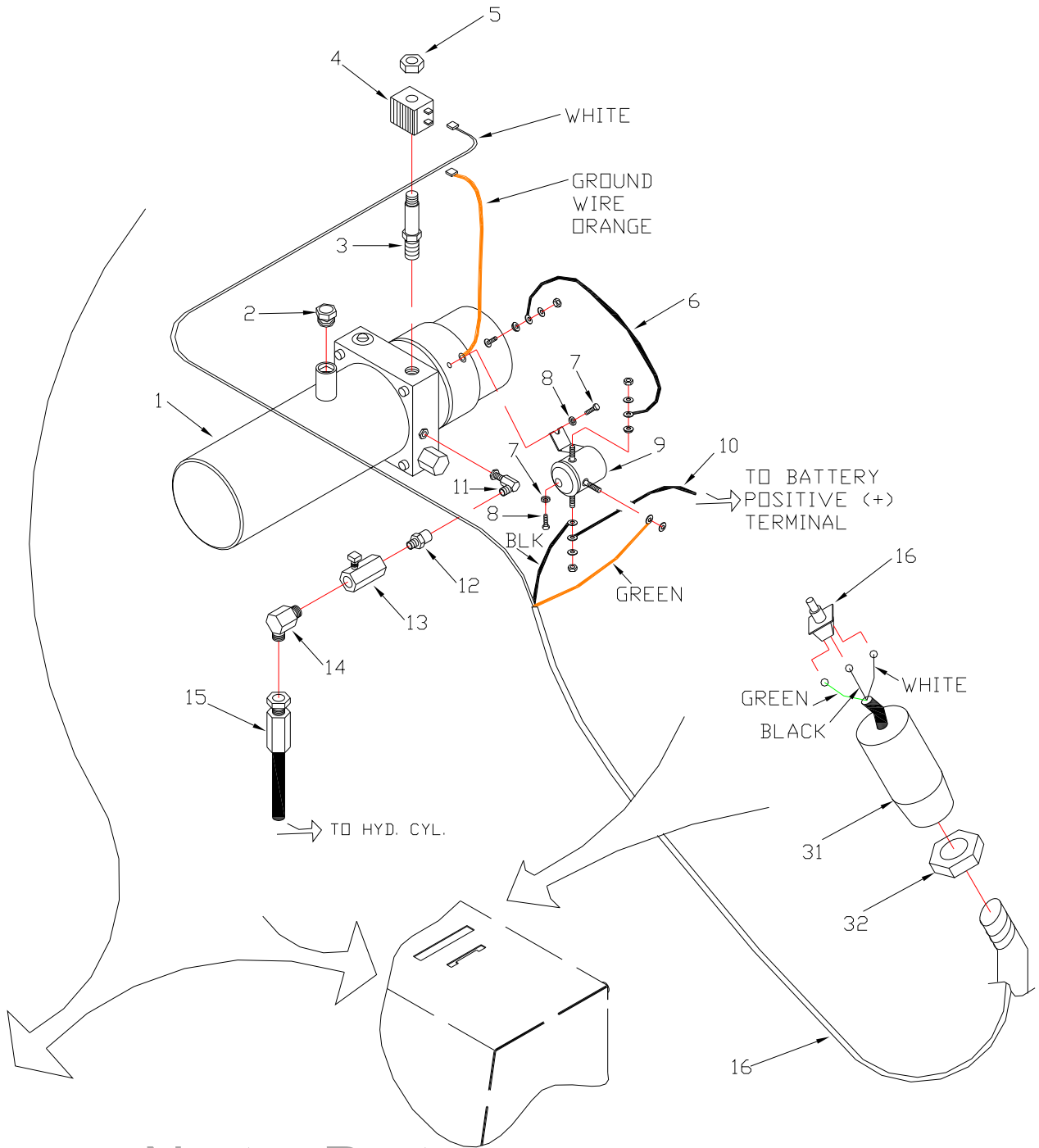
NortonParts.com  
888-634-4289  
An iBuy Stores Company

## Controls and Lever Group

ITEM	DESCRIPTION	PART No.	ITEM	DESCRIPTION	PART No.
1	SWITCH BOOT	N1C0072	22	ROD END	N1C0075
2	SCREW	N1D0240	23	THREADED ROD <b>OBS</b>	<del>N1E0080</del>
3	SWITCH MNT. PL	N1E0243	24	NUT 3/8-24 HEX JAM GR2 ZN <b>OBS</b>	<del>231054</del>
4	RAISE/LOWER SWITCH	N1C0088	25	BELL CRANK	N1E0071
5	RUBBER BOOT	N1C0375	26	WASHER 3/8 SPRING LOCK	8177012
6	SWITCH HANDLE	N1E0265	27	NUT 3/8-16 HEX	8142003
7	NUT 7/8-9 HEX JAM <b>OBS</b>	<del>8150009</del>	28	SCR 3/8-16 X 2 HEX HD CAP	8041054
8	SPEED CONTROL LEVER	237389	29	THREADED ROD	N1E0081
9	FRICTION PAD	N1E0059			
10	SCR 3/8-16 X 2 HEX HD CAP	8041054			
11	WASHER 3/8 SAE ZN PLT	8172009			
12	NUT 3/8-16 HEX LOCK	8162003			
13	LEVER SUPPORT <b>OBS</b>	<del>N1E0058</del>			
14	SCR 1/4-20 X 3/4 HEX HD CAP	8041004			
15	NUT 1/4-20 HEX LOCK	8160001			
16	ENGAGE. LEVER	237382			
17	HAND GRIP	N1C0005			
18	GATE PLATE <b>OBS</b>	<del>N1E0079</del>			
19	SCR 3/8-16 X 1 1/2 HEX HD CAP	8041052			
20	TRANS CONTROL LEVER	237321			
21	NUT 1/2-13 HEX	8143005			

NortonParts.com  
 888-634-4289  
 An iBuy Stores Company

# Electro-Hydraulic Group 31HP and 61HP



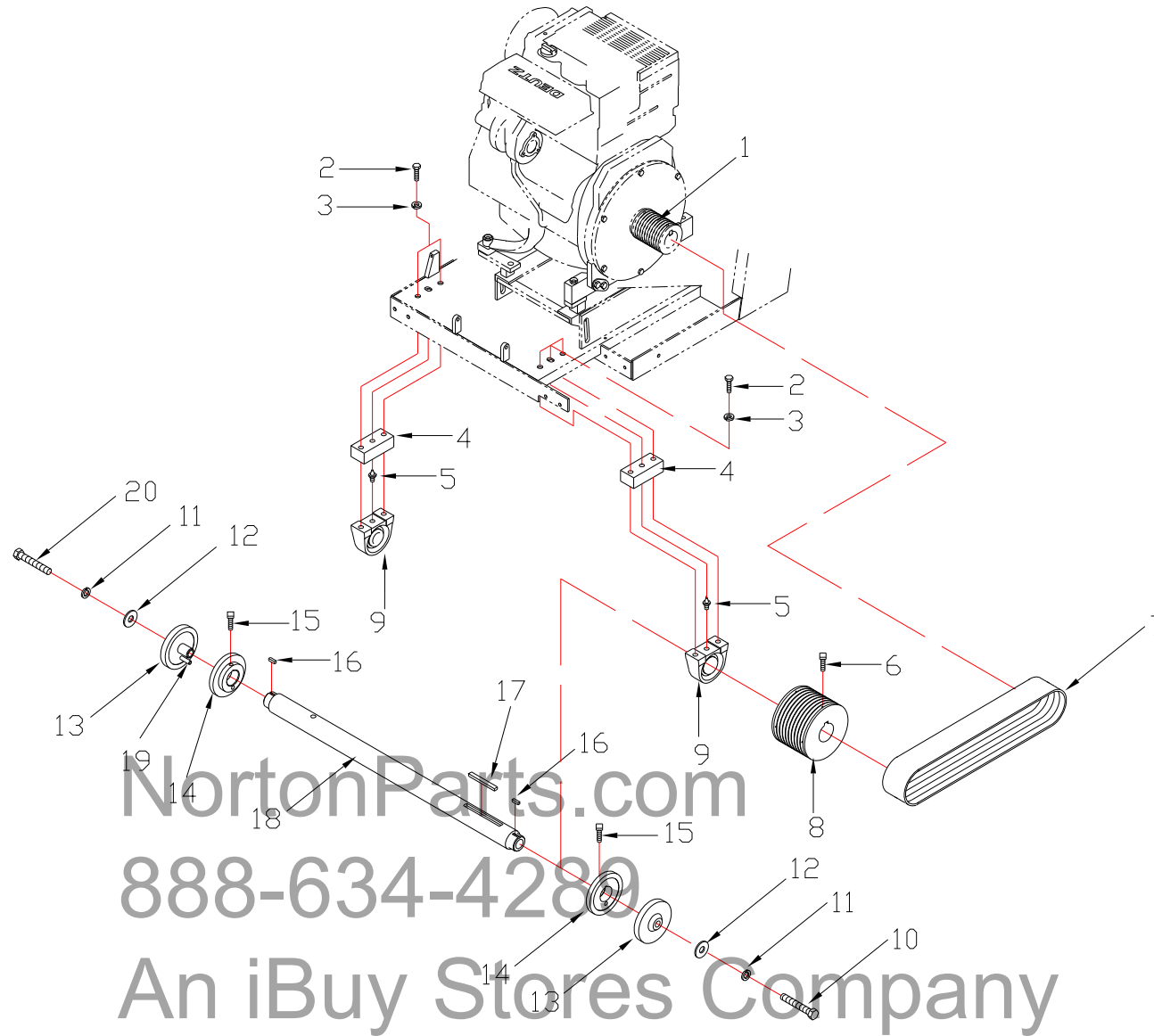
NortonParts.com  
888-634-4289  
An iBuy Stores Company

## Electro-Hydraulic Group

ITEM	DESCRIPTION	PART No.	ITEM	DESCRIPTION	PART No.
1	HYDRAULIC PUMP (FLUID: USE ATF DEXTRON B)	149001	12	HYD FITTING 1/4 <b>OBS</b>	<del>N1D0006</del>
2	BREATHER CAP 3/4MPT	237269	13	FLOW CONTROL VALVE	N1C0079
3	SOLINOID VALVE	N1C0182	14	ELBOW <b>OBS</b>	<del>N1D0007</del>
4	SOLINOID MAGNET	N1C0181	15	HYDRAULIC HOSE ASSY.	N1C0093
5	NUT <b>OBS</b>	<del>N1D0110</del>	16	RAISE / LOWER SWITCH	N1C0088
6	CABLE ASSY	N1C0183	17	SWITCH HANDLE	N1E0265
7	FLATWASHER 1/4" <b>OBS</b>	<del>N1D0111</del>	18	NUT 3/4-10 JAM	N1D0288
8	BOLT 1/4-20 x 1/2	<del>N1D0049</del>	19	WIRE ASSY	N1C0089
9	SOLINOID (MOTOR)	<del>449109</del>	31	SWITCH HANDLE	N1E0265
10	BATTERY CABLE	N1C0034	32	NUT 7/8-9 HEX JAM <b>OBS</b>	<del>8150009</del>
11	HYD FITTING/RING <b>OBS</b>	<del>N1D0001</del>			

NortonParts.com  
 888-634-4289  
 An iBuy Stores Company

# Blade Shaft Group (Non-Jackshaft) 31HP and 61HP



## B: Blade Guard Conversion Chart

Straight Drive (Non-Jackshaft Models Only)

Blade Size	14"	20"	26"	30"	36"
Engine Pulley P/N	237219	237219	237219	237219	237219
Engine Pulley OD	4" x 2" 11G 3VX	4" x 2" 11G 3VX	4" x 2" 11G 3VX	4" x 2" 11G 3VX	4" x 2" 11G 3VX
Engine Speed (RPM)	2,800 RPM	2,700 RPM	2,600 RPM	2,600 RPM	2,500 RPM
Blade Drive Belt P/N	237287	237287	237287	236021	236021
Blade Drive Belt Size	5/3VX560	5/3VX560	5/3VX560	5/3VX600	5/3VX600
Blade Shaft Pulley P/N	237221	237221	237221	237222	237222
Blade Shaft Pulley Size	4-3/8"D X 2"B 10G	4-3/8"D X 2"B 10G	4-3/8"D X 2"B 10G	7.0OD X 2"B 10G	7.0OD X 2"B 10G
Blade Shaft Speed (RPM)	2,560 RPM	2,469 RPM	2,194 RPM	1,340 RPM	1,290 RPM
Blade SFM	9,383 SFM	12,925 SFM	14,936 SFM	11,669 SFM	13,464 SFM
Inner Collar P/N	N1E0017	N1E0017	N1E0017	N1E0023	N1E0023
Inner Collar OD	4-1/2"	4-1/2"	4-1/2"	6"	6"
Outer Collar P/N	N1E0019	N1E0019	N1E0019	N1E0025	N1E0025
Outer Collar Size	4-1/2"	4-1/2"	4-1/2"	6"	6"
Transmission Belt P/N	237246	237246	237246	237246	237246
Transmission Belt Size	3VX670	3VX670	3VX670	3VX670	3VX670
Blade Guard P/N	N1B0078	N1B0079	N1B0080	N1B0081	N1B0128
Maximum Depth of Cut	4-5/8" (124 mm)	8-5/8" (219 mm)	10-5/8" (270 mm)	12-5/8" (321 mm)	14-5/8" (371 mm)



### CAUTION!

When changing blade diameters blade shaft RPM must be changed. In some cases it may be necessary to change both the pulleys and engine RPM to achieve the correct blade shaft operating rpm.

888-634-4289

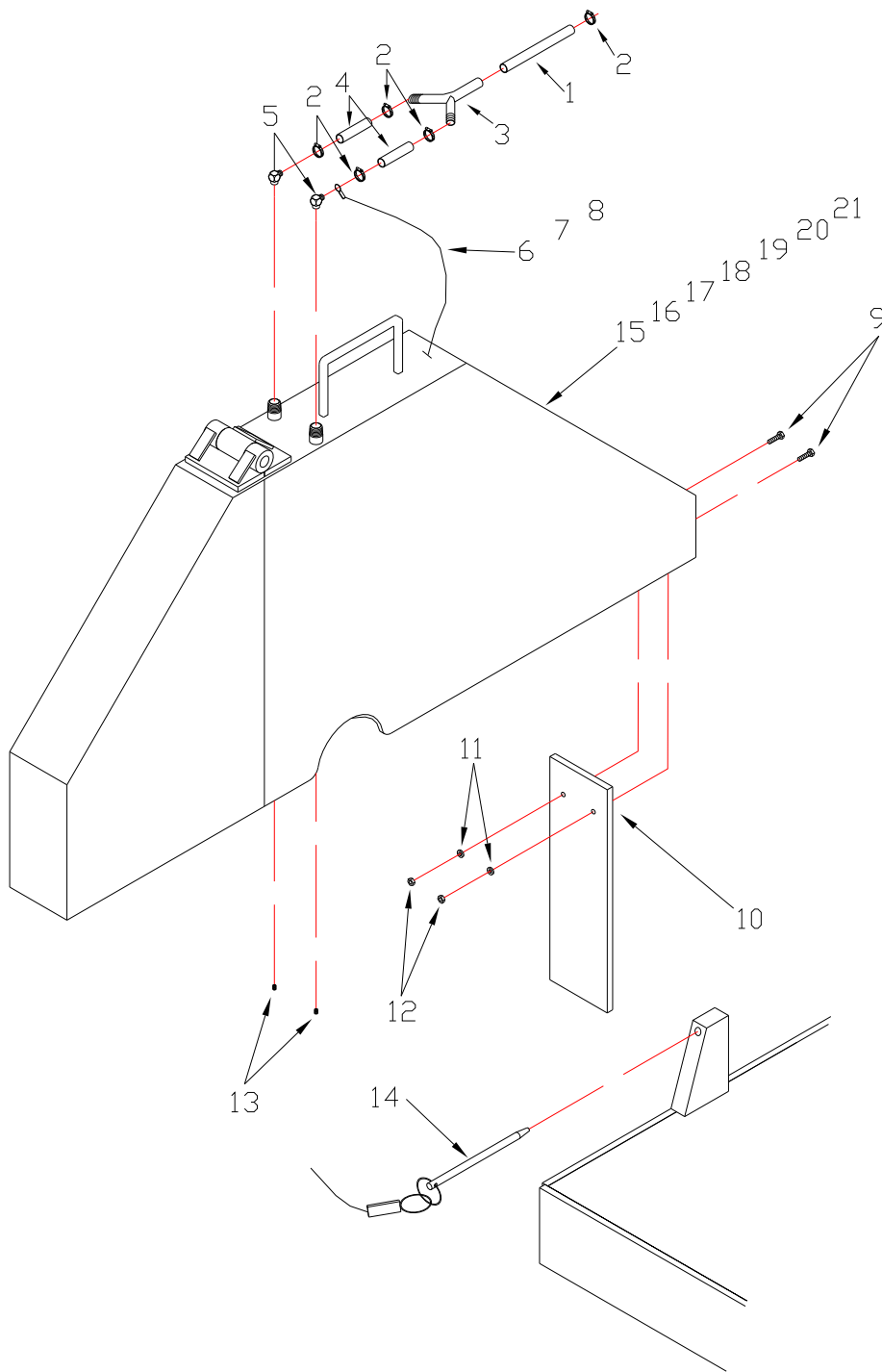
An iBuy Stores Company

## Blade Shaft Group (Non-Jackshaft)

ITEM	DESCRIPTION	PART No.	ITEM	DESCRIPTION	PART No.
1	SEE STUB SHAFT GROUP	-NA-	12	WASHER 5/8 SAE	8172013
2	SCR 5/8-11 X 2 1/2 HEX HD CAP	8041144	13	COLLAR OUTER 4-1/2" w/DRIVE PIN (14", 20", and 26" Blade Sizes)	N1E0019
3	WASHER 5/8 SPRING LOCK	8177016	13	COLLAR OUTER 6" w/DRIVE PIN (30" and 36" Blade Sizes)	N1E0025
4	PLATE BEARING SPACER <b>OBS</b>	<del>237374</del>	14	INNER COLLAR 4-1/2 (14", 20", and 26" Blade Size Only)	N1E0017
5	GREASE ZERK	N1D0077	14	INNER COLLAR 6" (30" and 36" Blade Size Only)	N1E0023
6	SCR 3/8-16 X 1/4 SET	9083122	15	SCR 1/4-20 X 1/2 SET	407035
7	BELT POWERBAND 5/3VX560 (Set of 2) (14", 20", and 26" Blade Size Only)	237287	16	KEY 1/4 X 7/8	N1E0099
	BELT POWERBAND 5/3VX600 (Set of 2) (30" and 36" Non-Jackshaft Blade Size Only)	236021	17	KEY 1/2 x 5 1/2	9201272
8	PULLEY 4-3/8"D X 2B 10G (14", 20", and 26" Blade Size Only)	237221	18	BLADESHAFT 61 HP	237225
8	PULLEY 7.0OD X 2B 10G (30" and 36" Non-Jackshaft Blade Size Only)	237222	18	BLADESHAFT 31 HP	237303
9	BEARING TAP BASE 2"	237268	19	DRIVE PIN 3/8X1-3/4"	N1C0095
10	SCR 5/8-11 X 4 RH THD (Operators Left Side of Machine)	N1D0073	20	SCR 5/8-11 X 4 LH THD (Operators Right Side of Machine)	N1D0263
11	WASHER 5/8 SPRING LOCK	8177016			

NortonParts.com  
 888-634-4289  
 An iBuy Stores Company

# Blade Guard Group



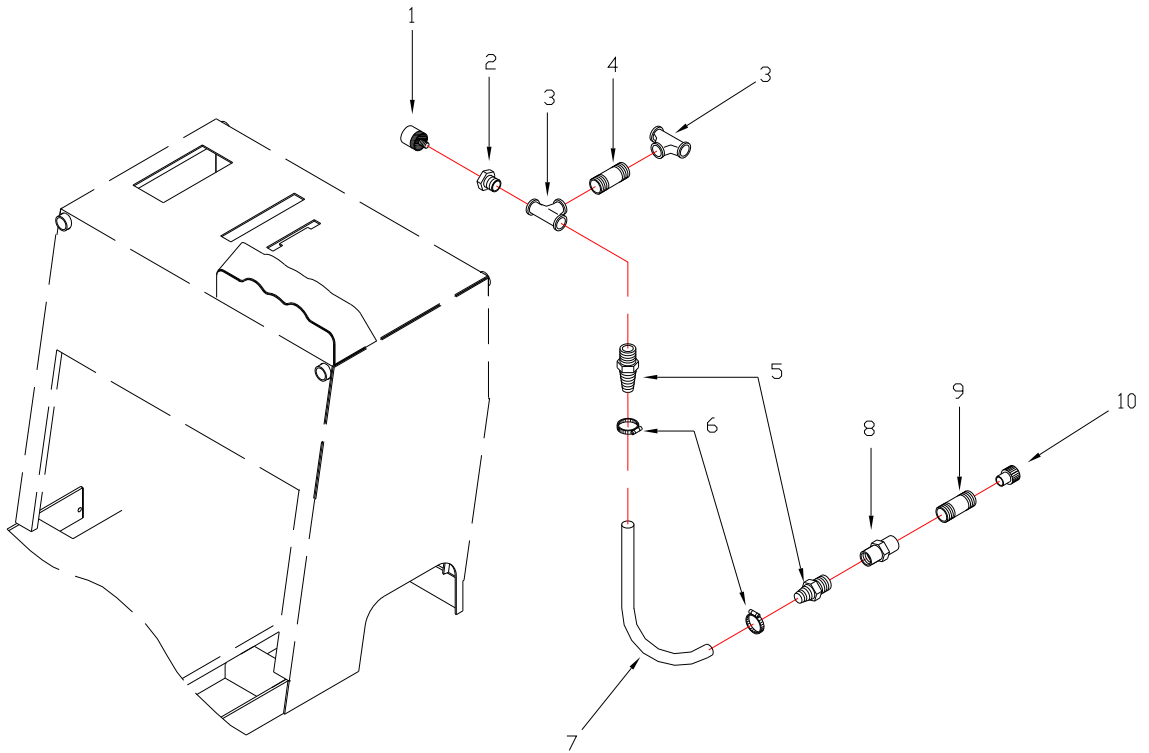
NortonParts.com  
888-634-4289  
An iBuy Stores Company

## Blade Guard Group 31HP and 61HP

ITEM	DESCRIPTION	PART No.	ITEM	DESCRIPTION	PART No.
1	WATER HOSE 1/2	N1C0114	23	BLD. GD. ASSY. 48" JACKSHAFT	N1B0085
2	HOSE CLAMP	N1C0113	-NA-	SPRING FOR BLADE GUARD (Not Shown)	N1C0476
3	Y FITTING	149154	-NA-	SCR 3/8-16 X 1 1/4 HEX HD (Not Shown)	8041051
4	WATER HOSE 1/2	N1C0114	-NA-	NUT 3/8-16 HEX (Not Shown)	8142003
5	ELBOW 1/4 <b>9499001</b>	<del>N1D0112</del>	-NA-	WASHER 3/8 SAE ZN PLT (Not Shown)	8172009
6	LANYARD 14"	N1C0116	-NA-	NUT 3/8-16 HEX LOCK (Not Shown)	8162003
7	LANYARD 18-26"	N1C0117			
8	LANYARD 30-36"	N1C0185			
9	SCR 1/4-20 X 3/4 HEX HD CAP	8041004			
10	SPLASH FLAP	N1C0115			
11	WASHER 1/4 SAE	8172007			
12	NUT 1/4-20 HEX LOCK	8160001			
13	SCR 3/8-16 X 1/2 SET	227107			
14	LOCK PIN WIRING <b>OBS</b>	<del>N1D0087</del>			
15	BLD. GD. ASSY. 14"	N1B0078			
16	BLD. GD. ASSY. 20"	N1B0079			
17	BLD. GD. ASSY. 26"	N1B0080			
18	BLD. GD. ASSY. 30" NON-JACKSHAFT	N1B0081			
19	BLD. GD. ASSY. 36" NON-JACKSHAFT	N1B0128			
20	BLD. GD. ASSY. 30" JACKSHAFT	N1B0082			
21	BLD. GD. ASSY. 36" JACKSHAFT	N1B0083			

NortonParts.com  
888-634-4289  
An iBuy Stores Company

## Water Control System Group



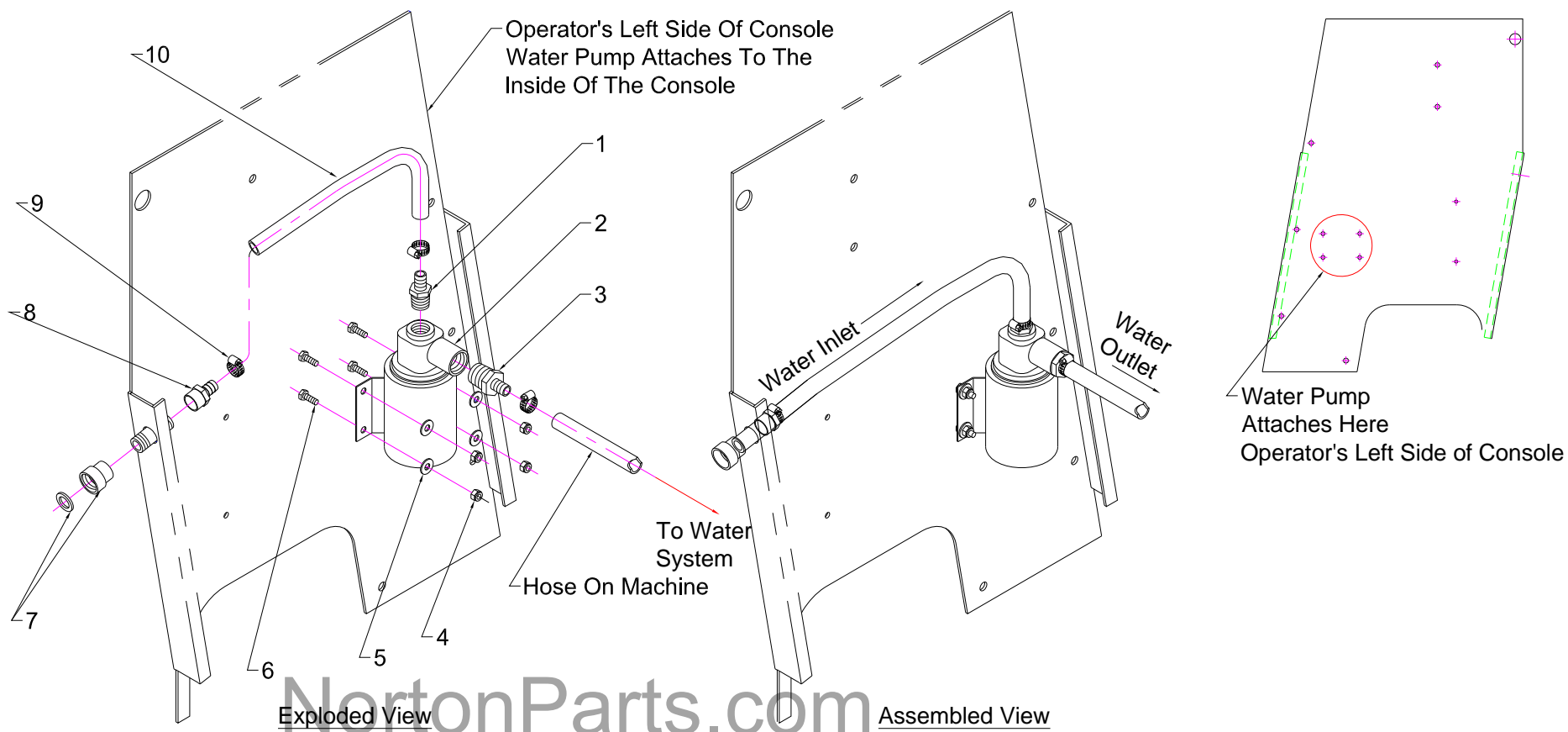
ITEM	DESCRIPTION	PART No.	ITEM	DESCRIPTION	PART No.
1	SAFETY SWITCH	224496	10	¾ FGH SWIVEL X ½FPT w/WASHER	N1D0082
2	BUSHING 1/2 X 1/8 REDUCING	<del>237420</del>			
3	TEE 1/2" PIPE	<del>N1D0045</del>			
4	NIPLE CLOSE ½ MPT	8411048			
5	HOSE BARB ½ MPT X ½ BARB	<del>N1D0100</del>			
6	HOSE CLAMP	N1C0113			
7	HOSE ½ X 50" LONG	N1C0114			
8	COUPLER 1/2"	<del>237421</del>			

NortonParts.com

888-634-4289

An iBuy Stores Company

## Optional Water Pump Group



NortonParts.com  
888-634-4289  
An iBuy Stores Company

## Optional Water Pump Group

ITEM	DESCRIPTION	PART No.	ITEM	DESCRIPTION	PART No.
1	FIT BARB ½ MPT X ½ MALE BARB	9600016	6	SCR ¼-20 UNC x ¾ HEX HEAD CAP (Sold Individually 4 Required)	8041004
2	WATER PUMP ONLY	107744	7	¾ FGH SWIVEL X ½FPT w/WASHER	N1D0082
3	FIT BARB ¾ MPT x ½ BARB	9600017	8	FIT BARB ½ FPT X ½ MALE BARB	9602012
4	NUT ¼-20 UNC HEX NYLOCK (Sold Individually 4 Required)	8160001	9	CLAMP WARM DRIVE 3/8 To 5/8 (Sold Individually 3 Required)	227126
5	WASHER ¼ SAE (Sold Individually 4 Required)	8172007	10	HOSE ½ID X ¾OD X 48" 18" Required (Sold In 48" Lengths)	0042521

**NOTE:** Water Pump Kit 237243 items# 1, 2, 3, 4, 5, 6, 8, 9, 10 are includes all items listed above. Items number 7 & 8: N1D0082 ¾ FGH SWIVEL X ½FPT w/WASHER and 9602012 FIT BARB ½ FPT X ½ MALE BARB are NOT include with the Water Pump Kit 237243, use the units currently installed on the machine.

NortonParts.com  
 888-634-4289  
 An iBuy Stores Company

**Saint-Gobain Abrasives, Inc.**

2270 West Washington Street  
Stephenville, TX 76401-3798

Phone: 800-554-8003

254-918-2310

Fax: 800-443-1092

254-918-2312



# WARNING

Some dust created by power sanding, sawing, grinding, drilling, and other construction activities contains chemicals known to cause cancer, birth defects or other reproductive harm. Some examples of these chemicals are:

- Lead from lead-based paints,
- Crystalline silica from bricks and cement and other masonry products, and
- Arsenic and chromium from chemically-treated lumber.

Your risk from these exposures varies, depending on how often you do this type of work. To reduce your exposure to these chemicals: work in a well ventilated area, and work with approved safety equipment, such as those dust masks that are specially designed to filter out microscopic particles.