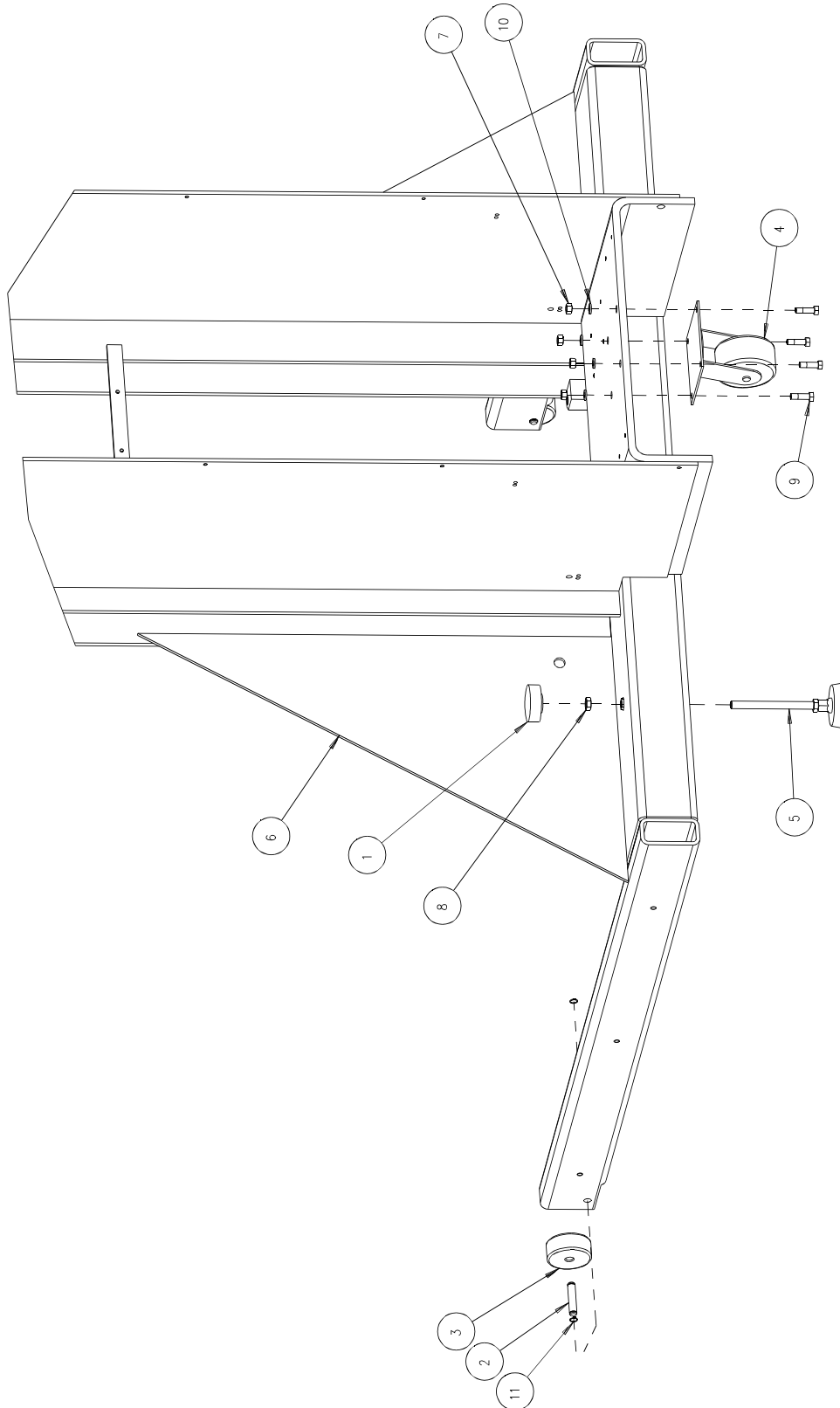


7.4 67000 Powerlift II- Mechanical

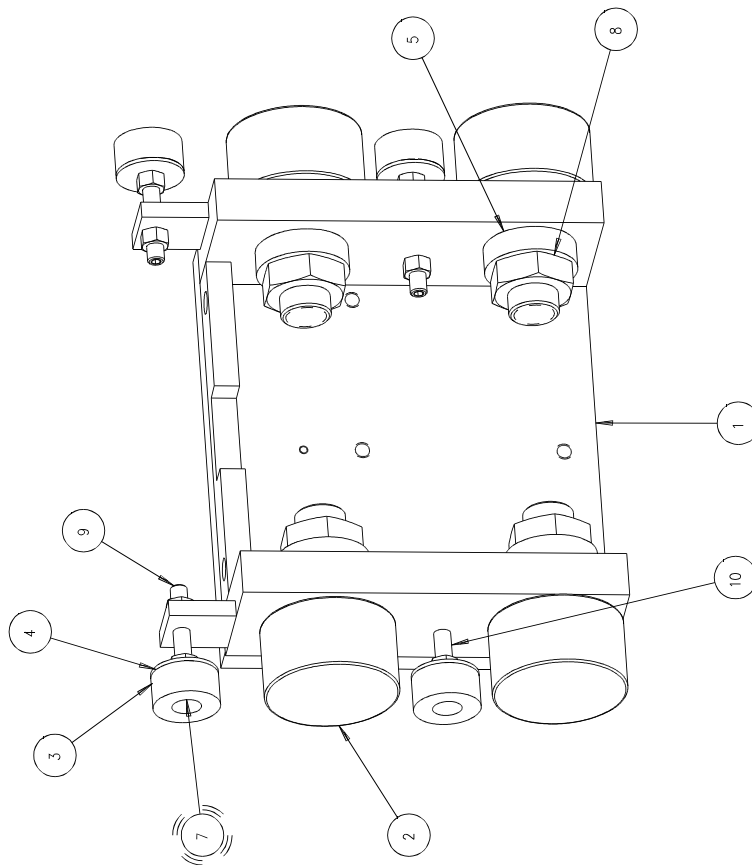
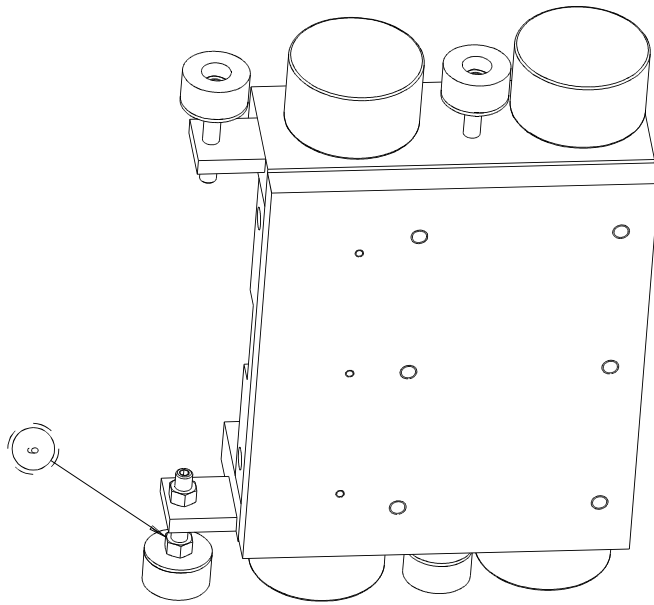
7.4.1 67000 Powerlift II Main Assembly, Sht. 1



67000 Powerlift II Main Assembly, Sht. 1

NO.	PART NO.	DESCRIPTION	QTY
1	5710	KNOB	2
2	47063	PIN- CLAMP CYLINDER CLEVIS	2
3	51020	WHEEL	2
4	51029	CASTER	1
5	51035	FOOT ASSEMBLY	2
6	67001	FRAME- POWERLIFT II	1
7	H-6417-6	NUT - 3/8-16 HEX	4
8	H-6424-8	NUT - 1/2-13 HEX JAM	2
9	H-6913-610	SCREW - 3/8-16 X 1-1/4 HEX HEAD CAP	4
10	H-7327-12	WASHER - 3/8 MEDIUM LOCK	4
11	S-1073-50	RETAINING RING	4

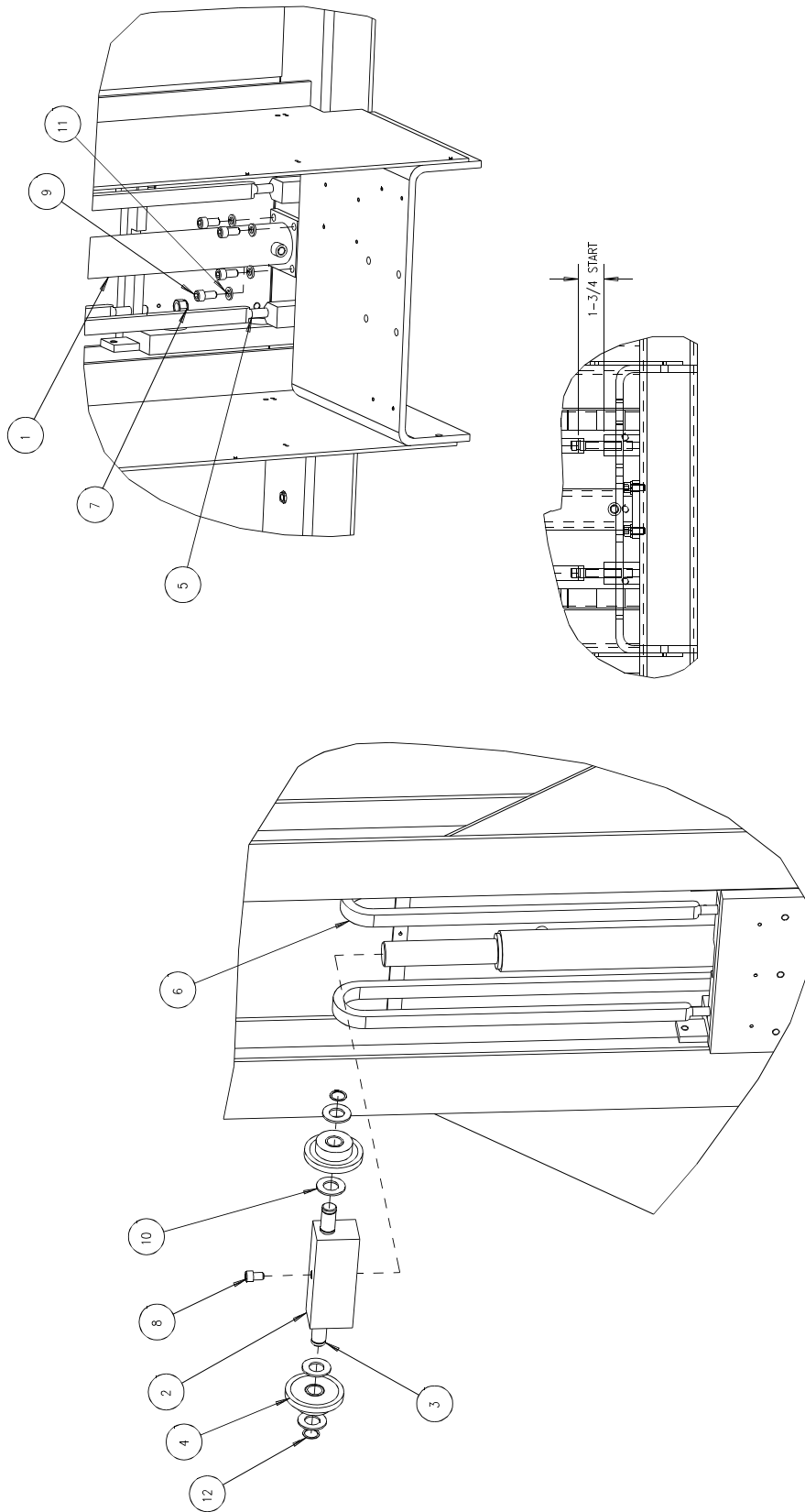
7.4.2 67000 Powerlift II Main Assembly, Sht. 2



67000 Powerlift II Main Assembly, Sht. 2

NO.	PART NO.	DESCRIPTION	QTY
1	67023	CARRIAGE- MACHINED	1
2	67025	TRACK ROLLER	4
3	67038	GIB DISK	4
4	67041	1/2" WASHER- SPECIAL	4
5	67042	SPACER	4
6	H-6417-8	NUT - 1/2-13 HEX	8
7	H-6424-8	NUT - 1/2-13 HEX JAM	4
8	H-6428-24	NUT - 1-1/2"-12 HEX JAM	4
9	H-6940-856	SCREW - 1/2-13 X 3-1/2 FLAT SOC SET	2
10	H-6940-872	SCREW - 1/2-13 X 4-1/2 FLAT SOC SET	2

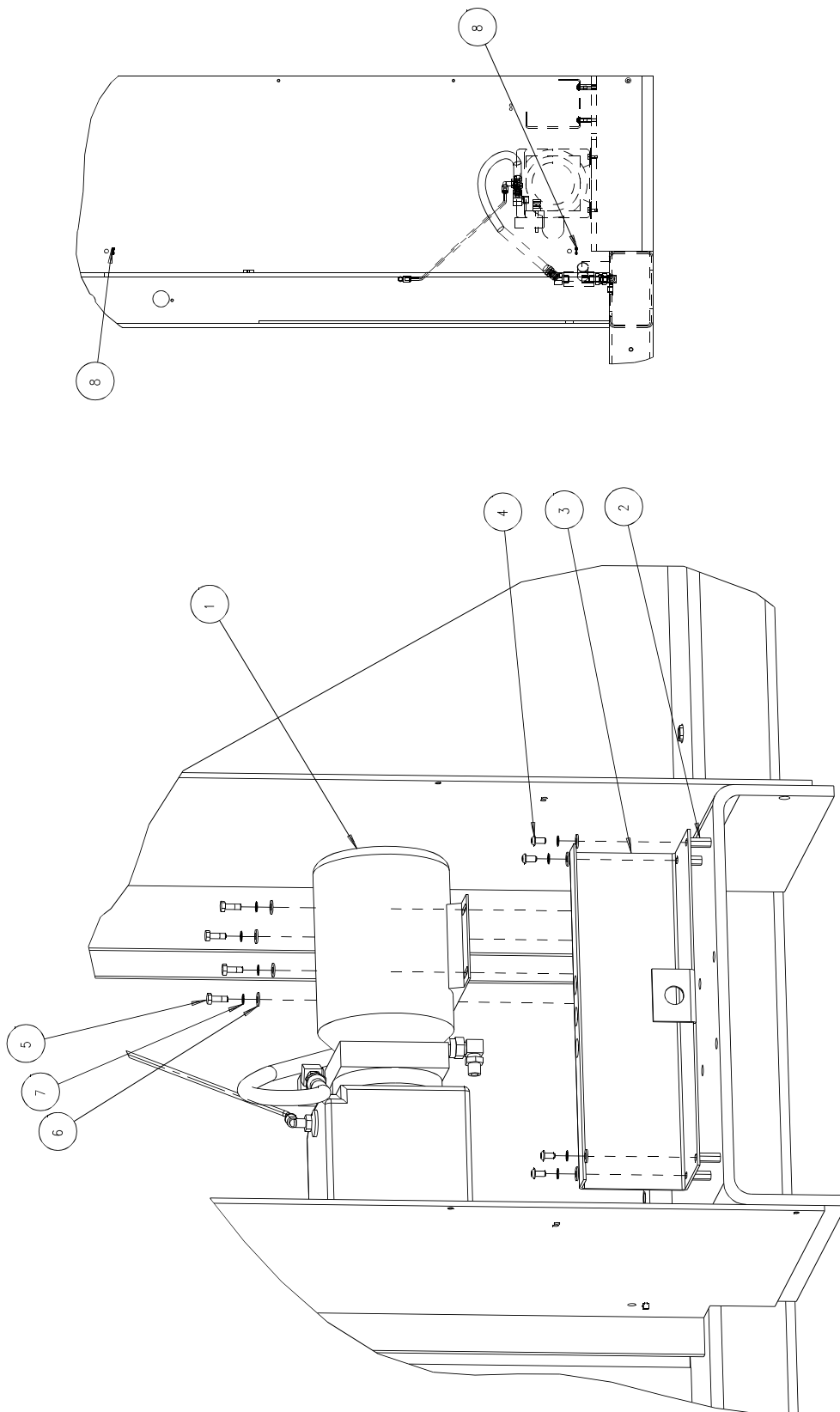
7.4.3 67000 Powerlift II Main Assembly, Sht. 3



67000 Powerlift II Main Assembly, Sht. 3

NO.	PART NO.	DESCRIPTION	QTY
1	51014-1	CYLINDER ASSEMBLY	1
2	67015	SPROCKET SHAFT BLOCK	1
3	67016	SPROCKET SHAFT	1
4	67018	SPROCKET ASSEMBLY	2
5	67024	CHAIN TERMINATOR	4
6	67026	CHAIN- #60 X 59-1/4	2
7	H-6417-10	NUT - 5/8-11 HEX	2
8	H-6918-806	SCREW - 1/2-13 X 3/4 SOCKET HEAD CAP	1
9	H-6918-808	SCREW - 1/2-13 X 1 SOCKET HEAD CAP	4
10	H-7321-16	WASHER - 1" SAE PLAIN	4
11	H-7327-16	WASHER - 1/2 MEDIUM LOCK	4
12	S-1073-100	RETAINING RING	2

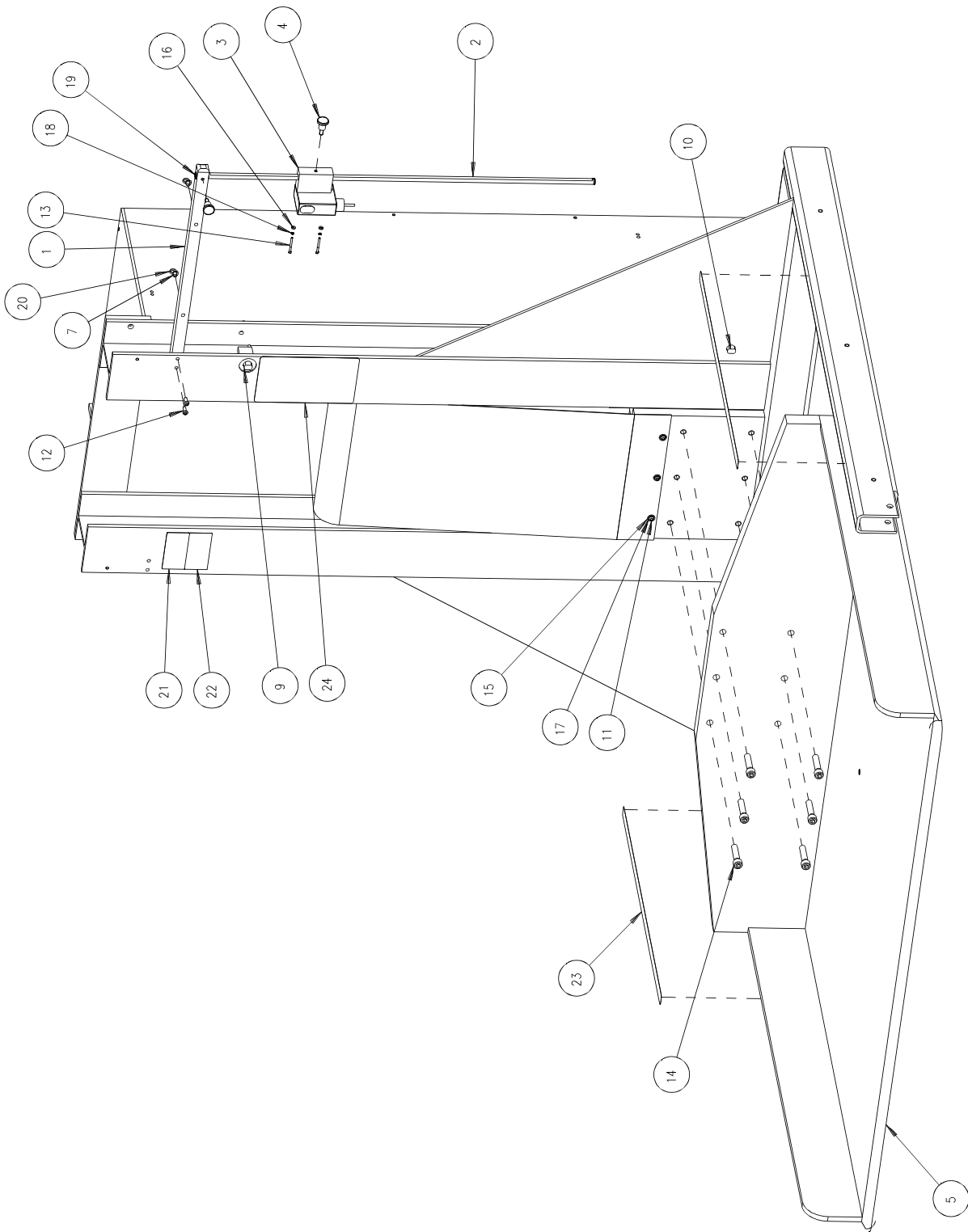
7.4.4 67000 Powerlift II Main Assembly, Sht. 4



67000 Powerlift II Main Assembly, Sht. 4

NO.	PART NO.	DESCRIPTION	QTY
1	51061	HYDRAULIC POWER UNIT	1
2	E-1152-51	STANDOFF	4
3	EE-2942-1	POWER PANEL ASSEMBLY	1
4	H-6910-404	SCREW - 1/4-20 X 1/2 BUTTON HEAD CAP	4
5	H-6913-406	SCREW - 1/4-20 X 3/4 HEX HEAD CAP	4
6	H-7321-4	WASHER - 1/4 SAE PLAIN	8
7	H-7324-8	WASHER - 1/4 INT TOOTH	8
8	S-1694	TYRAP	2

7.4.5 67000 Powerlift II Main Assembly, Sht. 5



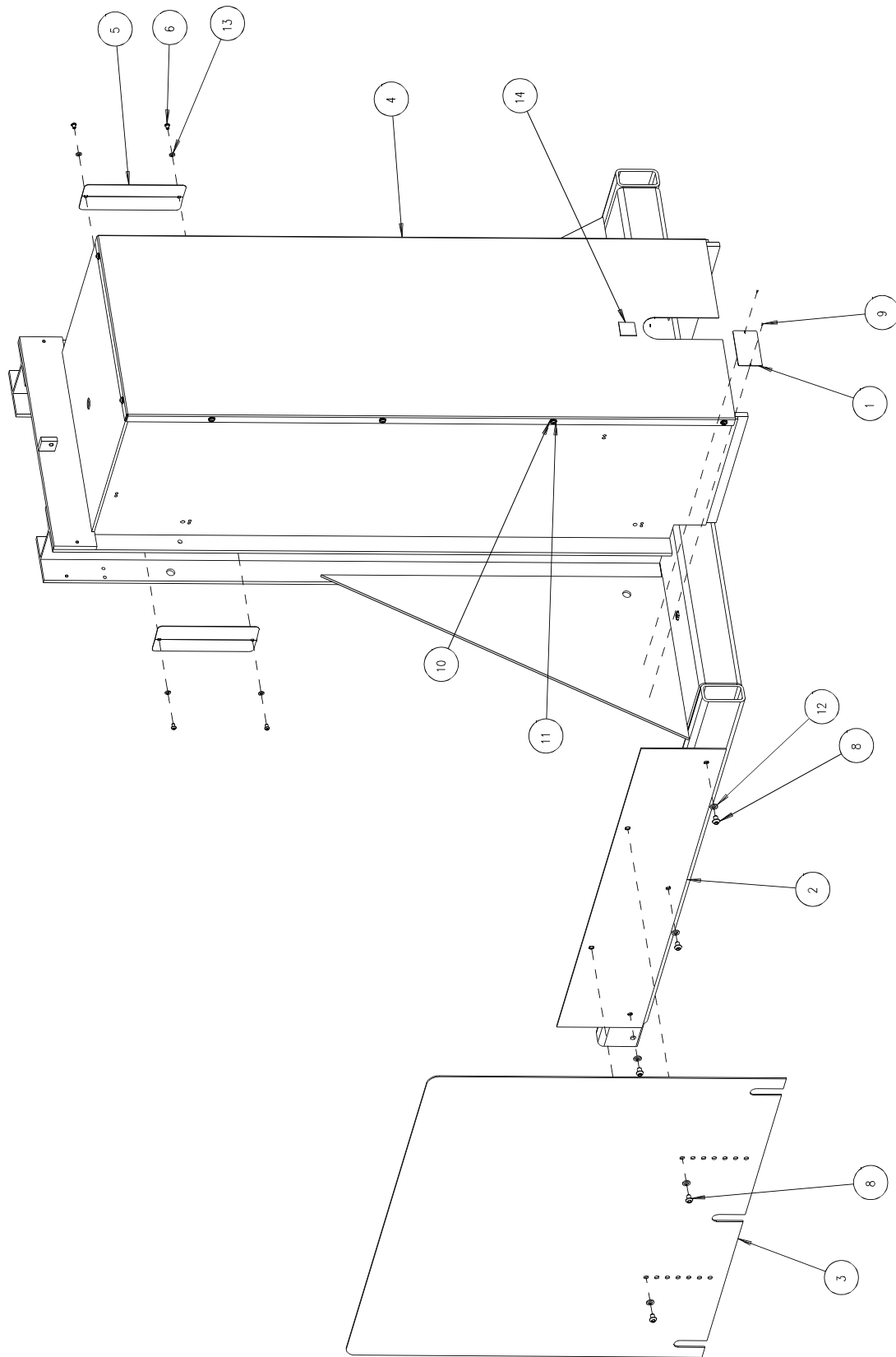
67000 Powerlift II Main Assembly, Sht.5

NO.	PART NO.	DESCRIPTION	QTY
1	51041-1	ARM- PHOTO-SENSOR	1
2	51042	ROD- PHOTO-SENSOR	1
3	51043	BLOCK- PHOTO-SENSOR	1
4	51056	KNOB ASM.	2
5	67030	PLATFORM ASSEMBLY	1
6	67031	CHAIN COVER	1
7	E-2883	ANCHOR- TYRAP	2
8	EE-2946-1	PHOTOELECTRIC SENSOR	1
9	EE-3243-1	PHOTO SENSOR ASM- UPPER LIMIT	1
10	EE-3243-2	PHOTO SENSOR ASM- LOWER LIMIT	1
11	H-6910-404	SCREW - 1/4-20 X 1/2 BUTTON HEAD CAP	6
12	H-6910-406	SCREW - 1/4-20 X 3/4 BUTTON HEAD CAP	2
13	H-6918-63212	SCREW - #6-32 X 1-1/2 SOCKET HEAD CAP	2
14	H-6918-818	SCREW - 1/2-13 X 2-1/4 SOCKET HEAD CAP	6
15	H-7321-4	WASHER - 1/4 SAE PLAIN	6
16	H-7321-#6	WASHER - #6 SAE PLAIN	2
17	H-7324-8	WASHER - 1/4 INT TOOTH	6
18	H-7324-#6	WASHER - #6 INT TOOTH	2
19	S-1073-50	RETAINING RING	2
20	S-1694	TYRAP	2
21	S-1781-176	LABEL- MAX CAPACITY	1
22	S-1781-177	LABEL- CENTER LOAD	1
23	S-1781-97	LABEL	2
24	S-1781-99	LABEL	1

67000 Powerlift II Main Assembly, Sht. 6

NO.	PART NO.	DESCRIPTION	QTY
1	11288	NYLON WASHER	2
2	51014-1	CYLINDER ASSEMBLY	1
3	51046	COVER- TOP	1
4	51052-1	CONTROL ARM ASM	1
5	51068	PIVOT BLOCK	1
6	56523	POLYETHYLENE TAPE	24.5"
7	A-11074	FOOT - RUBBER	2
8	H-5254-812	SCREW - 1/2 X 1-1/2 SHSS	1
9	H-5254-814	SCREW - 1/2 X 1-3/4 SHSS	1
10	H-6423-4	NUT - 1/4-20 HEX KEP	2
11	H-6424-4	NUT - 1/4-20 HEX JAM	2
12	H-6424-6	NUT - 3/8-16 HEX JAM	1
13	H-6910-404SS	SCREW - 1/4-20 X 1/2 BUT. HEAD CAP STAINLESS	4
14	H-6913-606	SCREW - 3/8-16 X 3/4 HEX HEAD CAP	1
15	H-6918-404	SCREW - 1/4-20 X 1/2 SOCKET HEAD CAP	2
16	H-6938-440	SCREW - 1/4-20 X 2-1/2 CUP SOC SET	2
17	H-7321-8	WASHER - 1/2 SAE PLAIN	2
18	S-1781-96	LABEL	1

7.4.7 67000 Powerlift II Main Assembly, Sht. 7

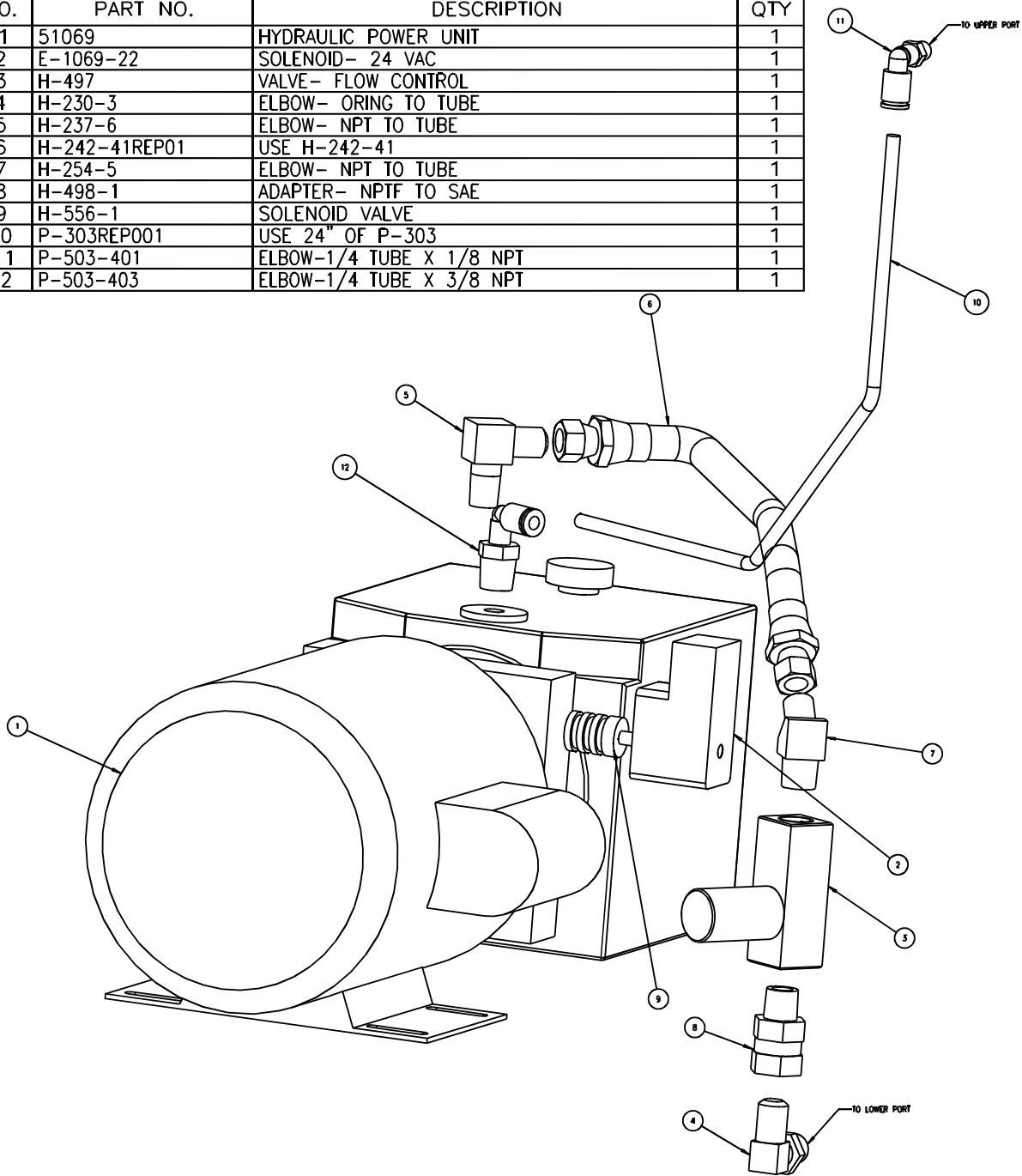


67000 Powerlift II Main Assembly, Sht 7

NO.	PART NO.	DESCRIPTION	QTY
1	14050	SERIAL PLATE	1
2	67032	PINCH GUARD MOUNT	1
3	67033	PINCH GUARD	1
4	67036	REAR COVER	1
5	67043	ACCESS HOLE COVER	2
6	H-6910-403	SCREW - 1/4-20 X 3/8 BUTTON HEAD CAP	4
7	H-6910-404	SCREW - 1/4-20 X 1/2 BUTTON HEAD CAP	10
8	H-6910-604	SCREW - 3/8-16 X 1/2 BUTTON HEAD CAP	5
10	H-6924-004	SCREW - #0 X 1/4 DRIVE SCREW	2
11	H-7321-4	WASHER - 1/4 SAE PLAIN	10
12	H-7324-8	WASHER - 1/4 INT TOOTH	10
13	H-7327-12	WASHER - 3/8 MEDIUM LOCK	5
14	H-7327-8	WASHER - 1/4 MEDIUM LOCK	4
15	S-1781-50	LABEL - ELECTRIC SHOCK	1

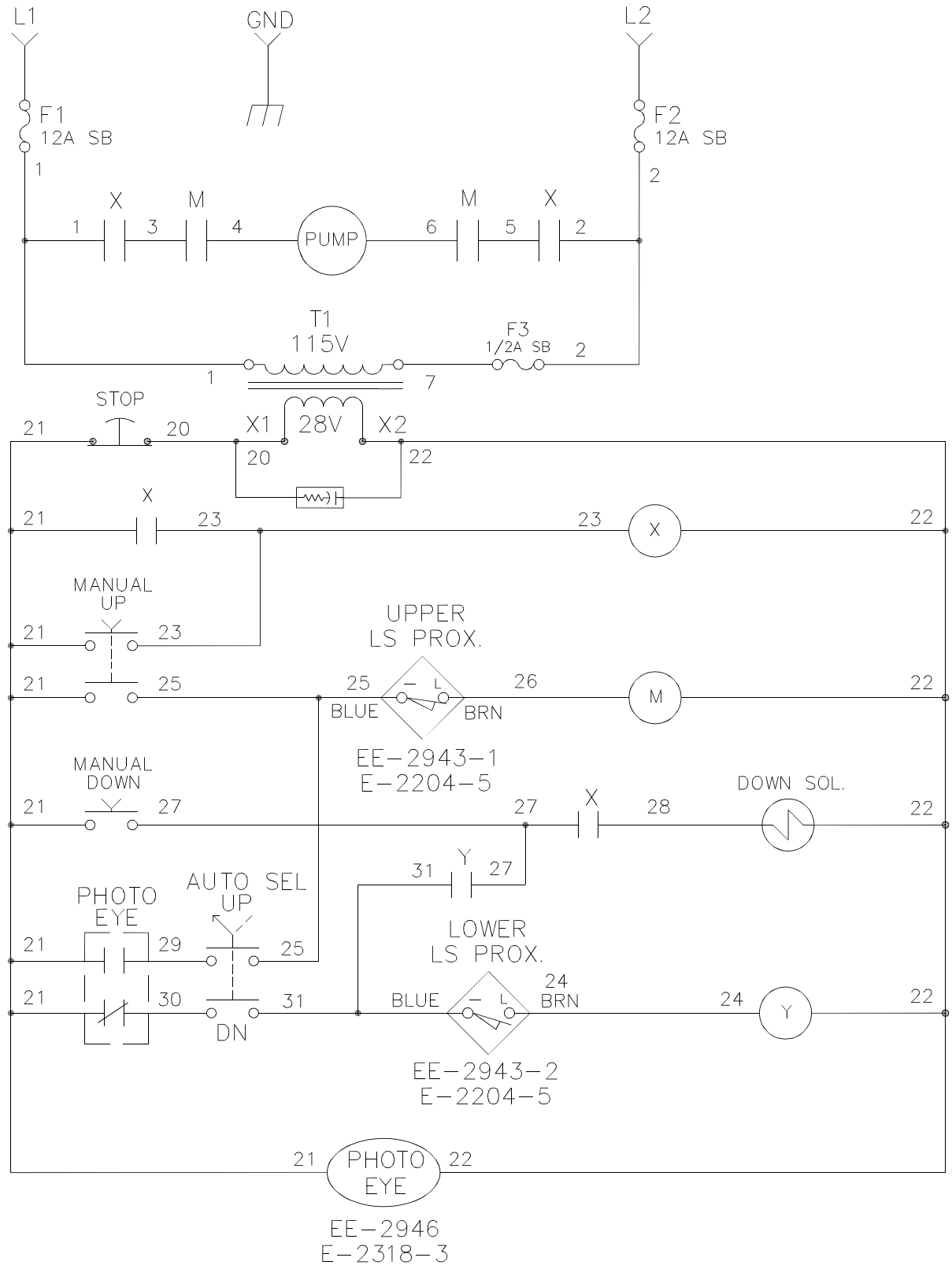
7.4.8 51061 Hydraulic Power Unit Assembly

NO.	PART NO.	DESCRIPTION	QTY
1	51069	HYDRAULIC POWER UNIT	1
2	E-1069-22	SOLENOID- 24 VAC	1
3	H-497	VALVE- FLOW CONTROL	1
4	H-230-3	ELBOW- ORING TO TUBE	1
5	H-237-6	ELBOW- NPT TO TUBE	1
6	H-242-41REP01	USE H-242-41	1
7	H-254-5	ELBOW- NPT TO TUBE	1
8	H-498-1	ADAPTER- NPTF TO SAE	1
9	H-556-1	SOLENOID VALVE	1
10	P-303REP001	USE 24" OF P-303	1
11	P-503-401	ELBOW-1/4 TUBE X 1/8 NPT	1
12	P-503-403	ELBOW-1/4 TUBE X 3/8 NPT	1

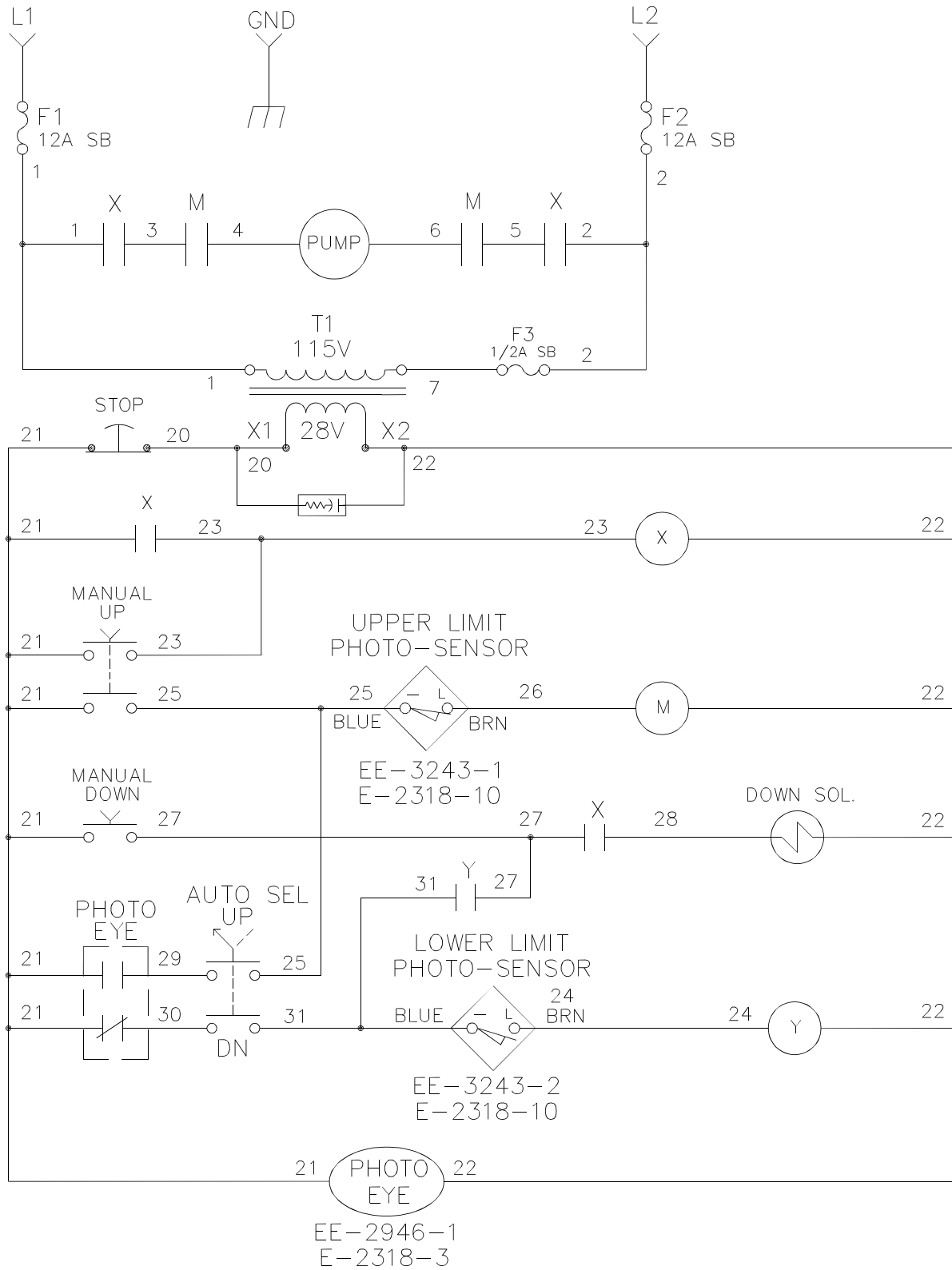


7.5 Electrical

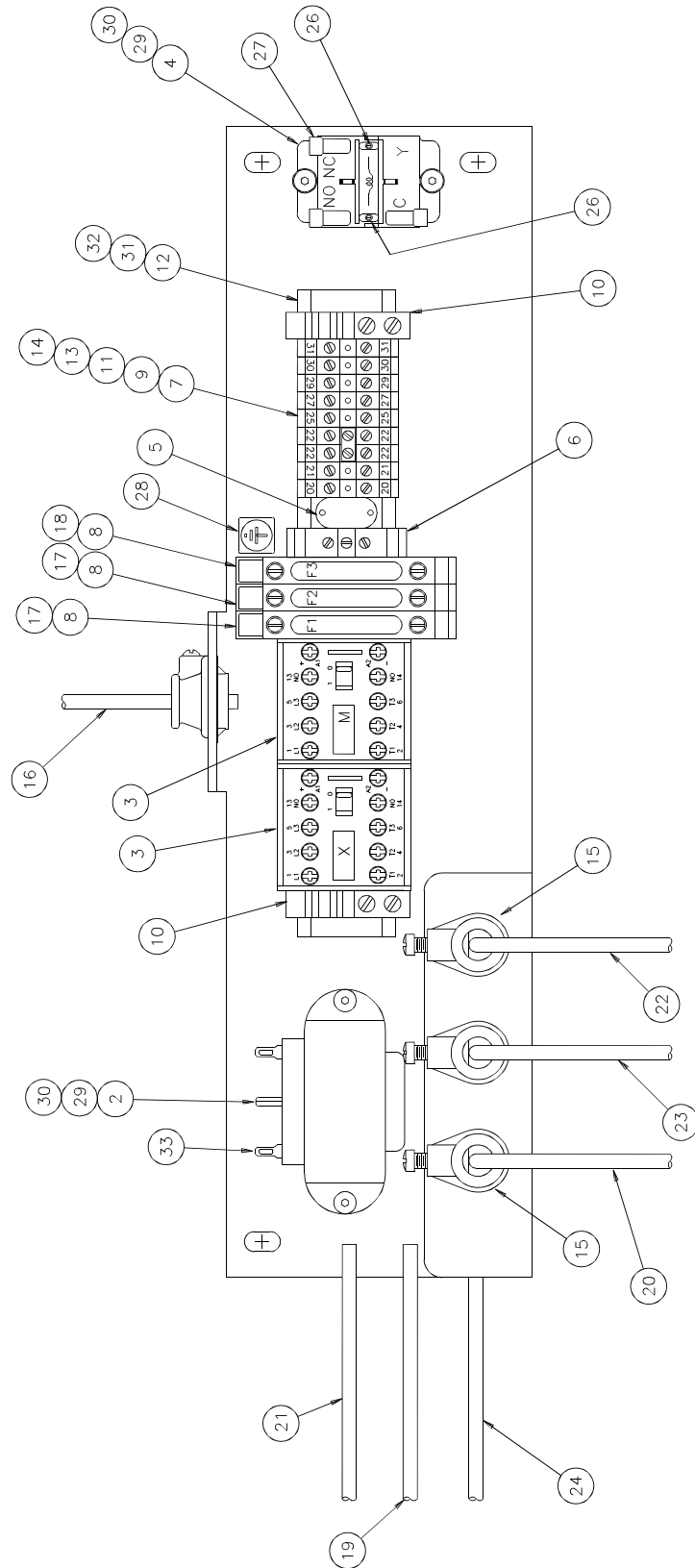
7.5.1 E-2944 Basic Machine Schematic- Powerlift I



7.5.2 E-2944-1 Basic Machine Schematic- Powerlift II



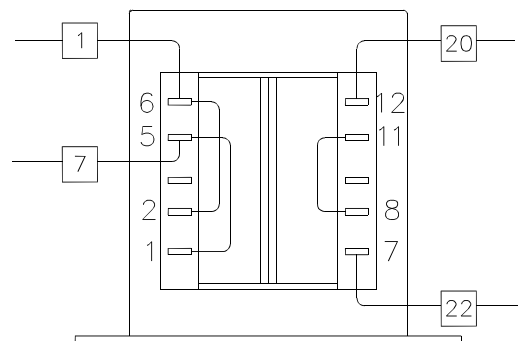
7.5.3 EE-2942 Rev. "G" Power Panel Assembly (Parts Detail)- Powerlift I



7.0 Appendix A- Maintenance Guide

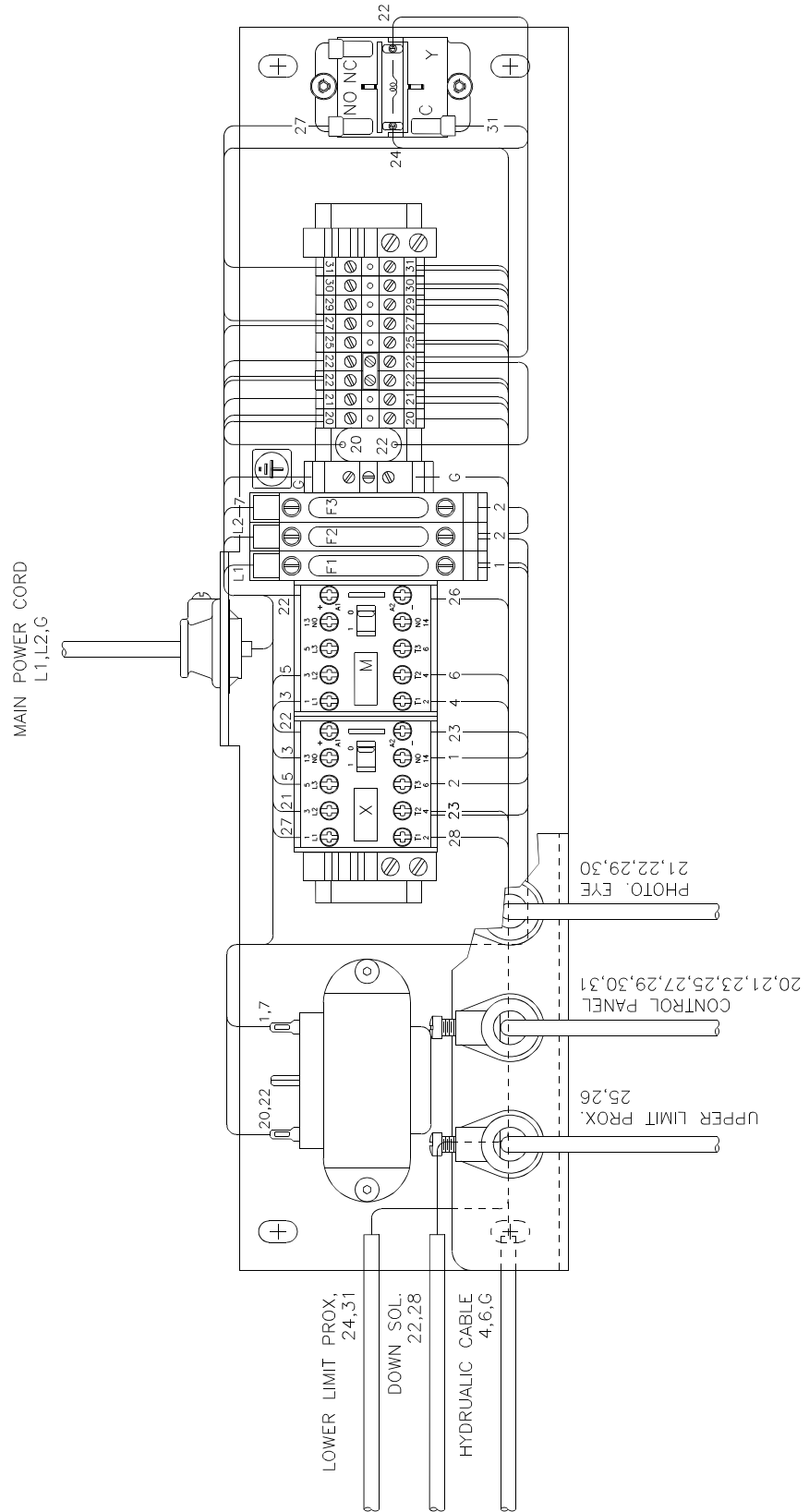
7.5.4 EE-2942 Rev. "G" Power Panel Assembly (Parts List)- Powerlift I

NO.	PART NO.	DESCRIPTION OF ACCESSORIES	QTY
1	51051	PANEL - POWER	1
2	E-1623-12	TRANS. - 115V/230VAC PRIM., 28VAC SEC.	1
3	E-2403-4	RELAY	2
4	E-2232-1	RELAY	1
5	E-1736-2	QUENCHARC - LEADED	1
6	E-2068-3	TERMINAL BLOCK - GROUNDING	1
7	E-2068-8	TERMINAL BLOCK - #10 GA. WIRE	9
8	E-1974-9	TERMINAL BLOCK - FUSEHOLDER, GLASS	3
9	E-2069-3	END PLATE	1
10	E-2070-1	END BRACKET	2
11	E-2507-2	FIXED BRIDGE - 2 POLE	1
12	E-1977-15	RAIL - TERMINAL, 9" LONG	1
13	E-1356-123	MARKING STRIP	1
14	E-1356-124	MARKING STRIP	1
15	S-1350-16	BUSHING - STRAIN RELIEF	4
16	E-717	CABLE - POWER, #16 GA. 3 COND. 12' LONG	1
17	E-889-37	FUSE - GLASS, 12 AMP SLO-BLO (F1 & 2)	2
18	E-889-12	FUSE - GLASS, 1/2 AMP SLO-BLO (F3)	1
19	EE-2821-7	CABLE ASSEMBLY - HYD. CUT SOL	1
20	EE-2943-1	PROX. SWITCH ASSEMBLY - UPPER LIMIT	1
21	EE-2943-2	PROX. SWITCH ASSEMBLY - LOWER LIMIT	1
22	EE-2946	PHOTO. EYE SENSOR - SWITCH ASSEMBLY	1
23	EE-2945	CABLE ASSEMBLY - CONTROL ARM (PL1)	REF
24	E-2727-1	CABLE - #16 GA. (EURO) 3 COND. 24" LONG	1
25	E-709-R	WIRE - #18 GA. RED MTW	AS NEEDED
26	E-1214-51	CONNECTOR - .187 QUICK DISC.	3
27	E-1214-60	CONNECTOR - 1/4" QUICK DISC. 90°	3
28	S-1781-42	LABEL - GROUND SYMBOL	1
29	H-6910-83203	SCREW - #8-32 X 3/8 BUT HD CAP	4
30	H-7324-#8	WASHER - #8 INT. TOOTHLOCK	4
31	H-6910-102403	SCREW - #10-24 X 3/8 BUT HD CAP	2
32	H-7324-#10	WASHER - #10 INT. TOOTHLOCK	2
33	E-1214-43	CONNECTOR - .187 QUICK DISC. 90°	4
34	E-1285-10	WIRE - #22 GA. HOOK-UP 3" LONG	3

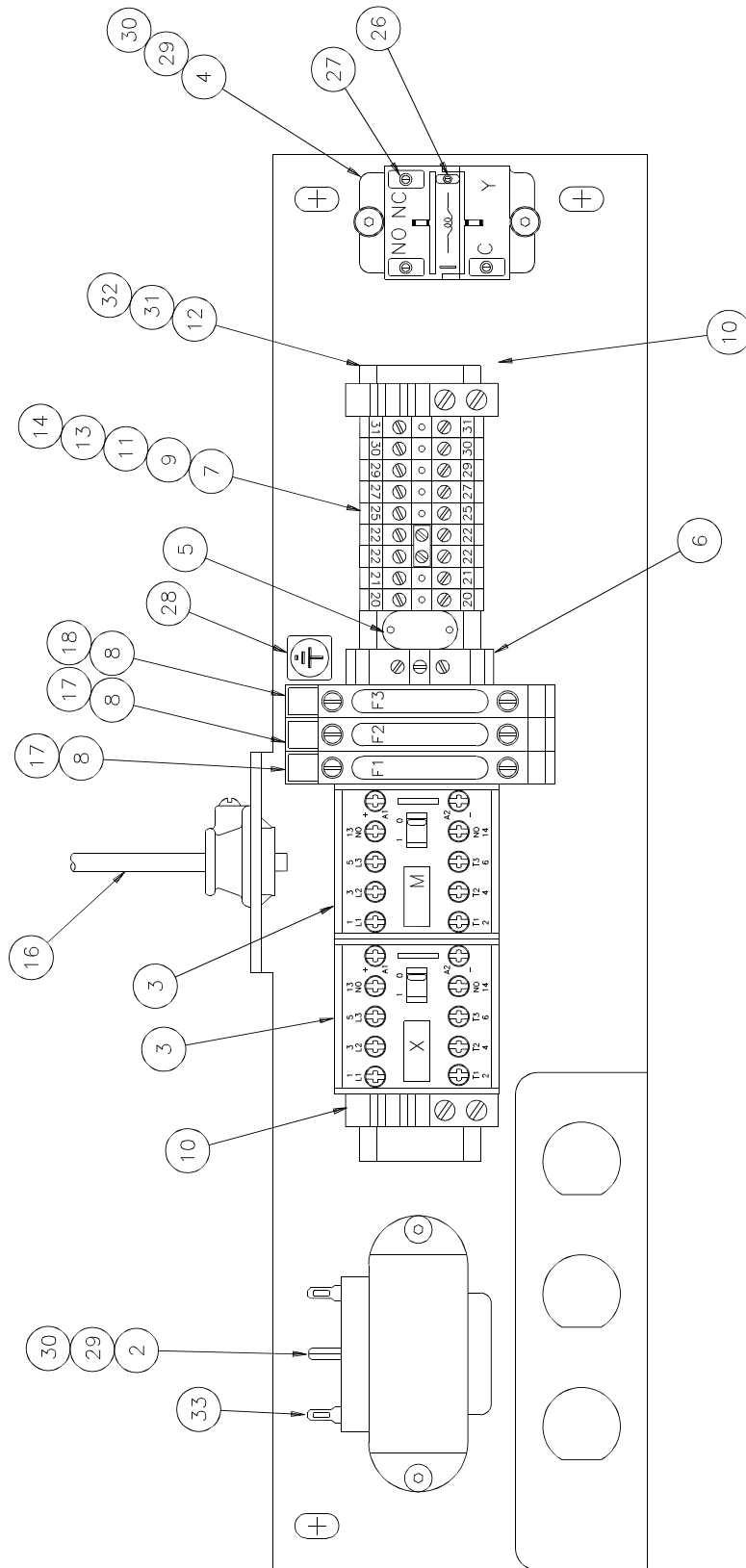


TRANSFORMER
WIRING DETAIL

7.5.5 EE-2942 Rev. "G" Power Panel Assembly (Wiring Detail)- Powerlift I

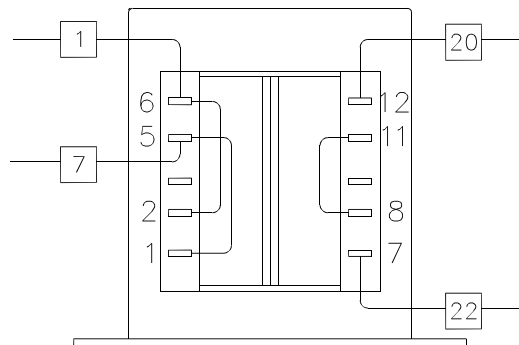


7.5.6 EE-2942-1 Rev. "A" Power Panel Assembly (Parts Detail)- Powerlift II



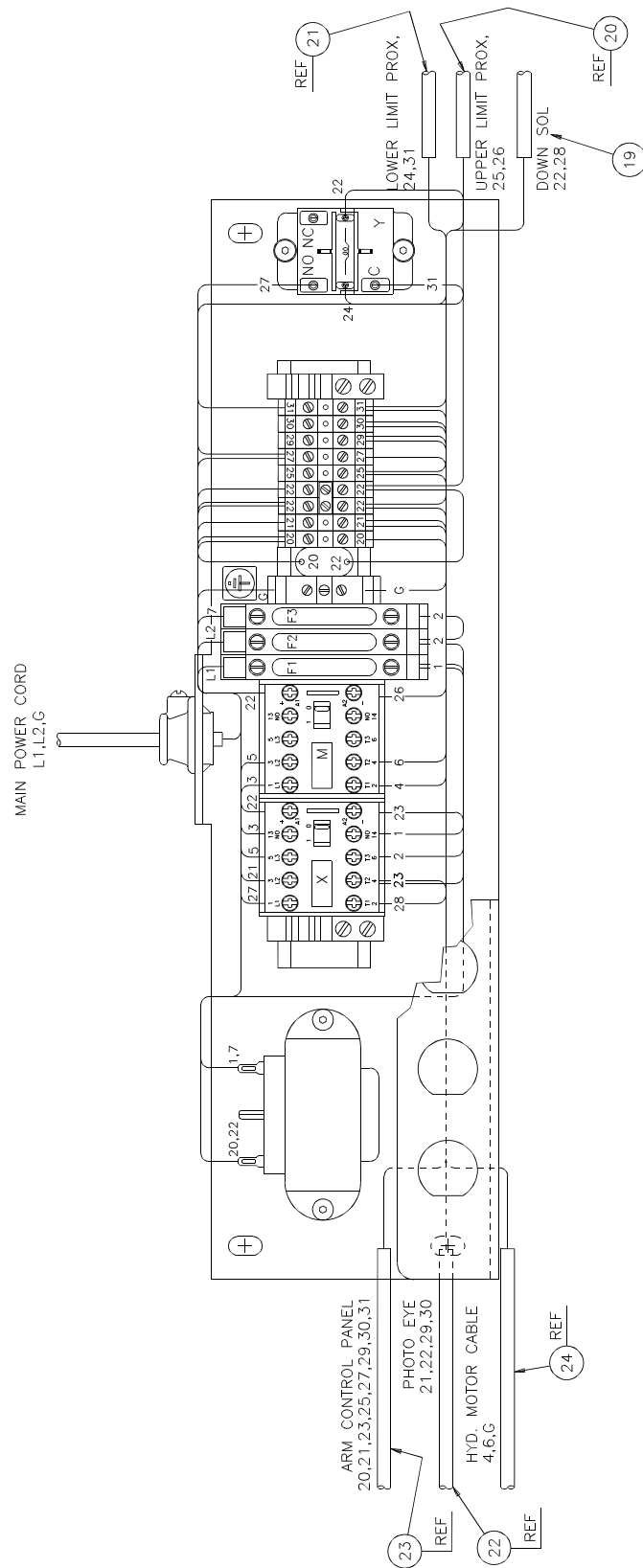
7.5.7 EE-2942-1 Rev. "A" Power Panel Assembly (Parts List)- Powerlift II

NO.	PART NO.	DESCRIPTION OF ACCESSORIES	QTY
1	51051	PANEL - POWER	1
2	E-1623-12	TRANS. - 115V/230VAC PRIM., 28VAC SEC.	1
3	E-2403-4	RELAY	2
4	E-2232-1	RELAY	1
5	E-1736-2	QUENCHARC - LEADED	1
6	E-2068-3	TERMINAL BLOCK - GROUNDING	1
7	E-2068-8	TERMINAL BLOCK - #10 GA. WIRE	9
8	E-1974-9	TERMINAL BLOCK - FUSEHOLDER, GLASS	3
9	E-2069-3	END PLATE	1
10	E-2070-1	END BRACKET	2
11	E-2507-2	FIXED BRIDGE - 2 POLE	1
12	E-1977-15	RAIL - TERMINAL, 9" LONG	1
13	E-1356-123	MARKING STRIP	1
14	E-1356-124	MARKING STRIP	1
15	S-1350-16	BUSHING - STRAIN RELIEF	1
16	E-717	CABLE - POWER, #16 GA. 3 COND. 12' LONG	1
17	E-889-37	FUSE - GLASS, 12 AMP SLO-BLO (F1 & 2)	2
18	E-889-12	FUSE - GLASS, 1/2 AMP SLO-BLO (F3)	1
19	EE-2821-7	CABLE ASSEMBLY - HYD. CUT SOL	1
20	EE-3243-1	PHOTO-SENSOR SWITCH ASM. - UPPER LIMIT	REF
21	EE-3243-2	PHOTO-SENSOR SWITCH ASM. - LOWER LIMIT	REF
22	EE-2946-1	PHOTO. EYE SENSOR - SWITCH ASSEMBLY	REF
23	EE-2945-1	CABLE ASSEMBLY - CONTROL ARM (PL2)	REF
24	EE-3254	CABLE ASM. - HYDRAULIC MOTOR POWER	REF
25	E-709-R	WIRE - #18 GA. RED MTW	AS NEEDED
26	E-1214-51	CONNECTOR - .187 QUICK DISC.	1
27	E-1214-65	CONNECTOR - 1/4" FULLY INS. QUICK DISC.	7
28	S-1781-42	LABEL - GROUND SYMBOL	1
29	H-6910-83203	SCREW - #8-32 X 3/8 BUT HD CAP	4
30	H-7324-#8	WASHER - #8 INT. TOOTHLOCK	4
31	H-6910-102403	SCREW - #10-24 X 3/8 BUT HD CAP	2
32	H-7324-#10	WASHER - #10 INT. TOOTHLOCK	2
33	E-1214-43	CONNECTOR - .187 QUICK DISC. 90°	4
34	E-1285-10	WIRE - #22 GA. HOOK-UP 3" LONG	3

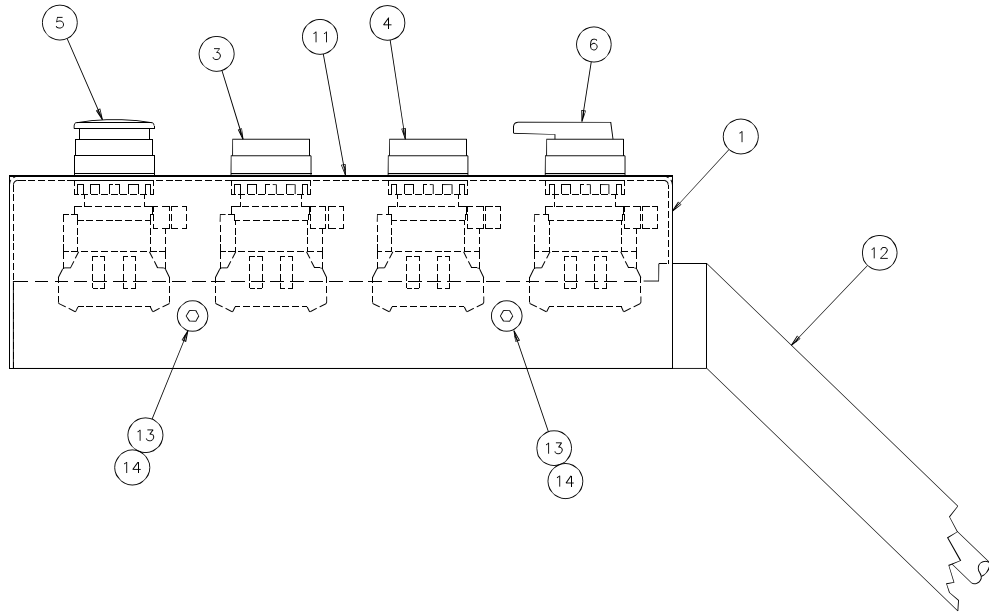


TRANSFORMER
WIRING DETAIL

7.5.8 EE-2942-1 Rev. "A" Power Panel Assembly (Wiring Detail)- Powerlift II



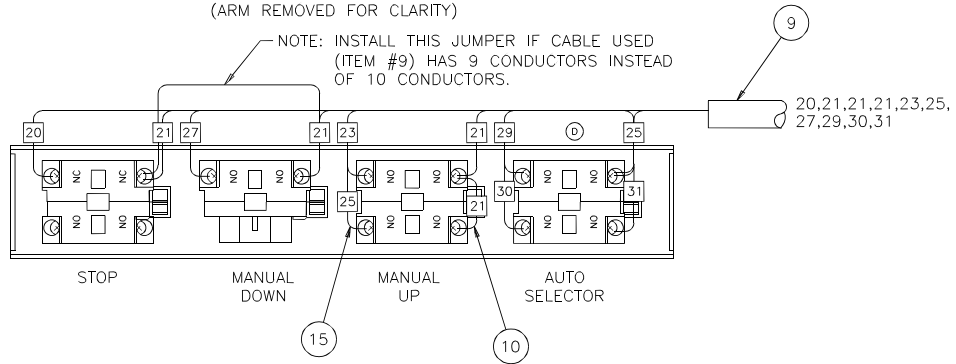
7.5.9 51052 Rev. "A" Control Arm Assembly- Powerlift I



WIRING DETAIL

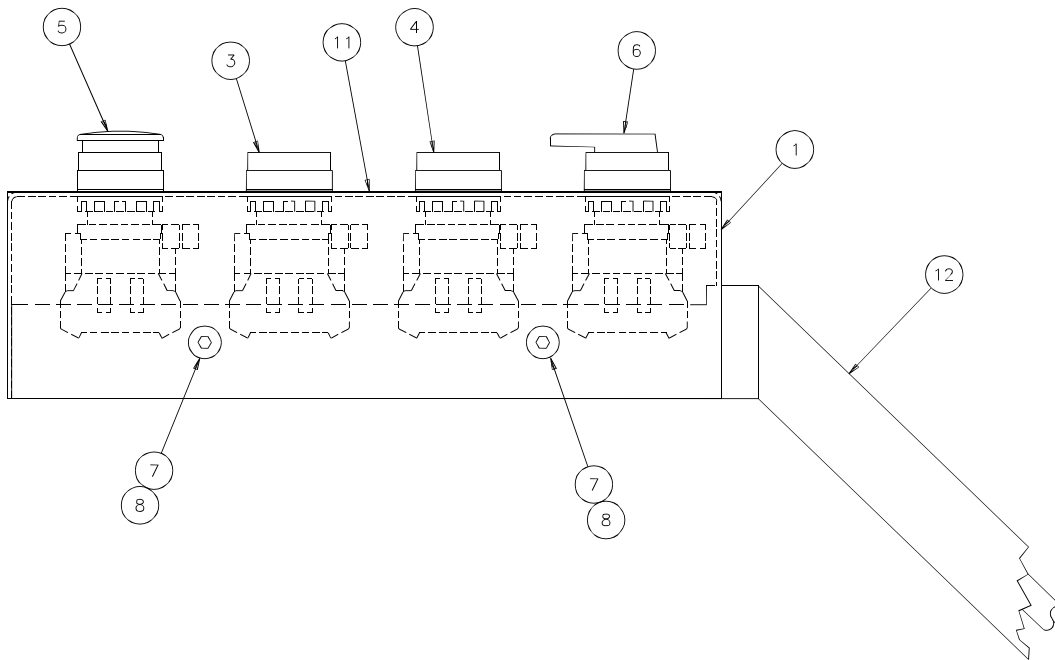
(ARM REMOVED FOR CLARITY)

NOTE: INSTALL THIS JUMPER IF CABLE USED (ITEM #9) HAS 9 CONDUCTORS INSTEAD OF 10 CONDUCTORS.



NO.	PART NO.	DESCRIPTION OF ACCESSORIES	QTY
1	51055	BOX - SWITCH	1
2			
3	E-3073	SWITCH - PUSHBUTTON (GREEN) (1 NO)	1
4	E-3073-1	SWITCH - PUSHBUTTON (GREEN) (2 NO)	1
5	E-3127-5	SWITCH - MUSHROOM HD PB (1 NC/1 NO)	1
6	E-3073-7	SWITCH - SELECTOR (2 NO)	1
7			
8			
9	EE-2945	CABLE ASM. - CONTROL ARM	1
10	E-709-R	WIRE - #18 GA. RED MTW - 4" LONG (#21)	1
11	S-1781-95	LABEL - SWITCH BOX	1
12	51058	ARM ASSEMBLY - CONTROL	1
13	H-6910-404SS	SCREW - 1/4-20 X 3/8 BUT HD STAINLESS	4
14	H-7324-8	WASHER - 1/4" INT. TOOTHLOCK	4
15	E-709-R	WIRE - #18 GA. RED MTW - 6" LONG (#25)	1

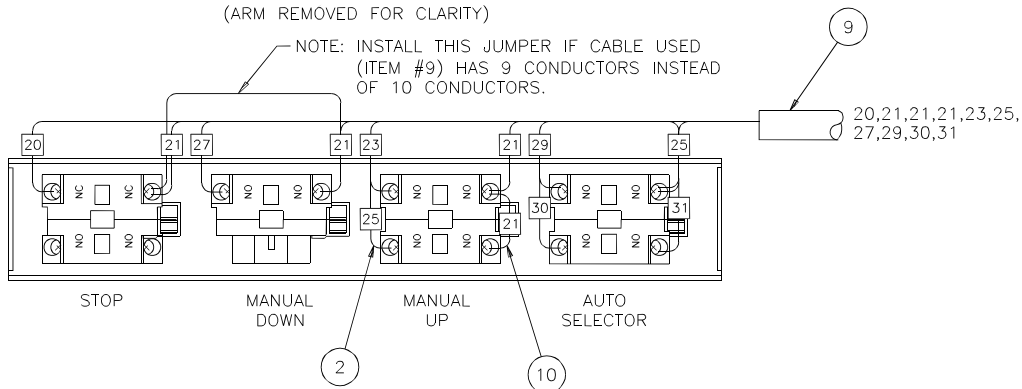
7.5.10 51052-1 Rev. "B" Control Arm Assembly- Powerlift II



WIRING DETAIL

(ARM REMOVED FOR CLARITY)

NOTE: INSTALL THIS JUMPER IF CABLE USED (ITEM #9) HAS 9 CONDUCTORS INSTEAD OF 10 CONDUCTORS.



NO.	PART NO.	DESCRIPTION OF ACCESSORIES	QTY
1	51055	BOX - SWITCH	1
2	E-709-R	WIRE - #18 GA. RED MTW - 6" LONG (#25)	1
3	E-3073	SWITCH - PUSHBUTTON (GREEN) (1 NO)	1
4	E-3073-1	SWITCH - PUSHBUTTON (GREEN) (2 NO)	1
5	E-3127-5	SWITCH - MUSHROOM HD PB (1 NC/1 NO)	1
6	E-3073-7	SWITCH - SELECTOR (2 NO)	1
7	H-6910-404SS	SCREW - 1/4-20 X 1/2 BUT HD STAINLESS	4
8	H-7324-8	WASHER - 1/4" INT. TOOTHLOCK	4
9	EE-2945-1	CABLE ASM. - CONTROL ARM	1
10	E-709-R	WIRE - #18 GA. RED MTW - 4" LONG (#21)	1
11	S-1781-95	LABEL - SWITCH BOX	1
12	51058-1	ARM ASSEMBLY - CONTROL	1