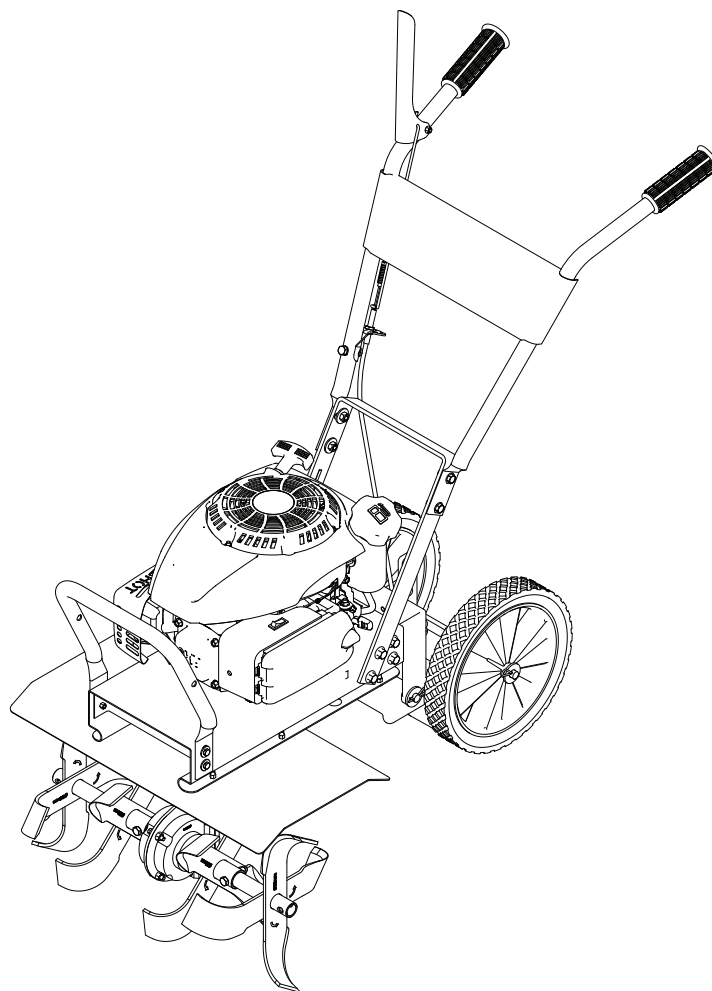




Operator's Manual
Original Operating Instructions

BADGER Front Tine Tiller

SN



PRODUCT NUMBER:

20908 (model shown)
24736

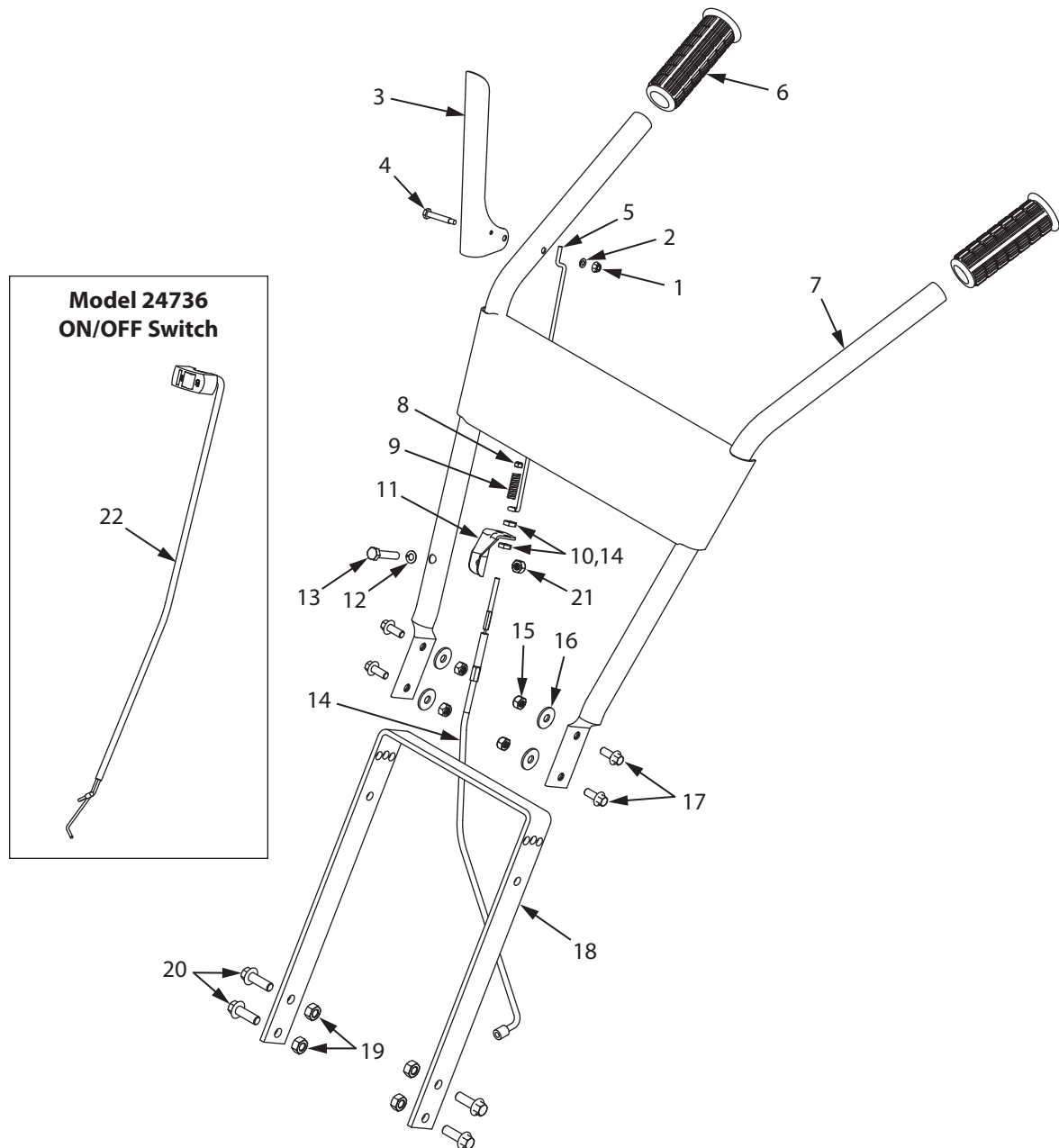
ENGINE:

**KOHLER 6.75 FT-LBS GROSS TORQUE
BRIGGS & STRATTON 7.25 FT-LBS GROSS TORQUE**



P/N: 22745
ECN: 11380
REV3: 10/24/16
© 2016 Ardisam, Inc.
All Rights Reserved

ILLUSTRATED PARTS BREAKDOWN: HANDLEBAR ASSEMBLY

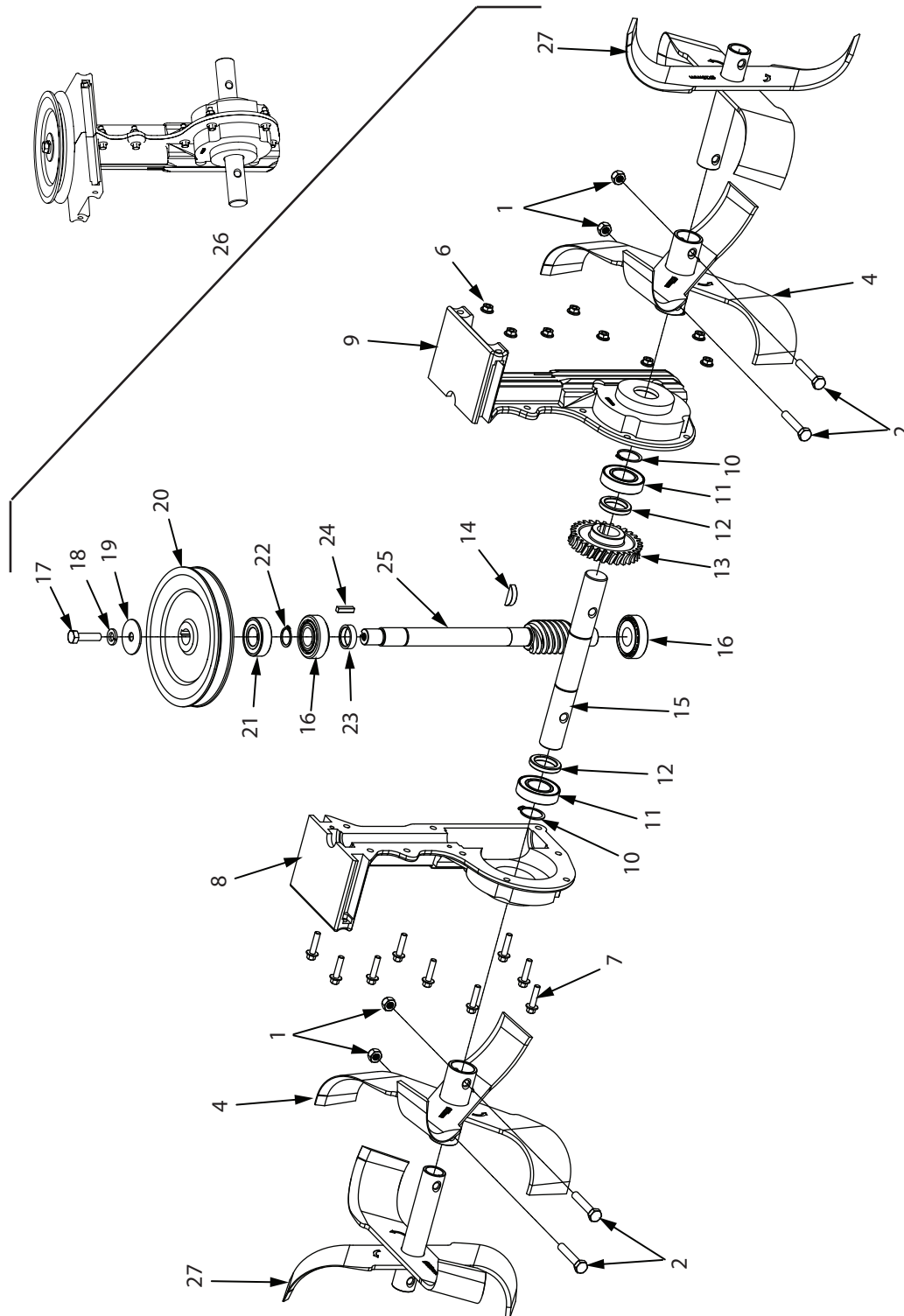


ILLUSTRATED PARTS BREAKDOWN: HANDLEBAR ASSEMBLY

ITEM NO.	PART #	DESCRIPTION	QTY.
1	3248	NUT M5 X 0.8 NYLOCK	1
2	3308	WASHER FLAT M5 X 15 X 1.75	1
3	53650	LEVER, CONTROL	1
4	13159	BOLT M5 X 0.75 X 7 HEX HEAD SHOULDER 6 X 32MM	1
5	20841	LINK 317 MM	1
6	13833	COMFORT GRIP 1	2
7	13811	HANDLEBAR WELDMENT	1
8	IN58	NUT M5 X 0.8 NYLOCK	1
9	53620	SPRING, COMPRESSION FORWARD ARM	1
10	4620	JAM NUT M8 X 1.25	2
11	53629	BRACKET, CABLE MOUNT	1
12	W1200114	WASHER M8 X 1.9	1
13	12770	BOLT M8 X 1.25 X 40 HEX HEAD	1

ITEM NO.	PART #	DESCRIPTION	QTY.
14	20827	KIT CABLE M5 END M8 MOUNT 905.5 MM LONG	1
15	400023	NUT M8 NYLOCK	4
16	3245	WASHER M8 X 24X 2.2MM	4
17	13906	BOLT M8 X 1.25 X 20	4
18	3358	MOUNT, HANDLEBAR	1
19	W1265V0903	NUT M10 X 1.5 NYLOCK	4
20	20819	BOLT M10 X 1.5 X 30 HEX HEAD	4
21	13508	NUT M8 X 1.25	1
MODEL 24736 SPECIFIC PARTS			
22	25394	ON/OFF SWITCH W/WIRES	1

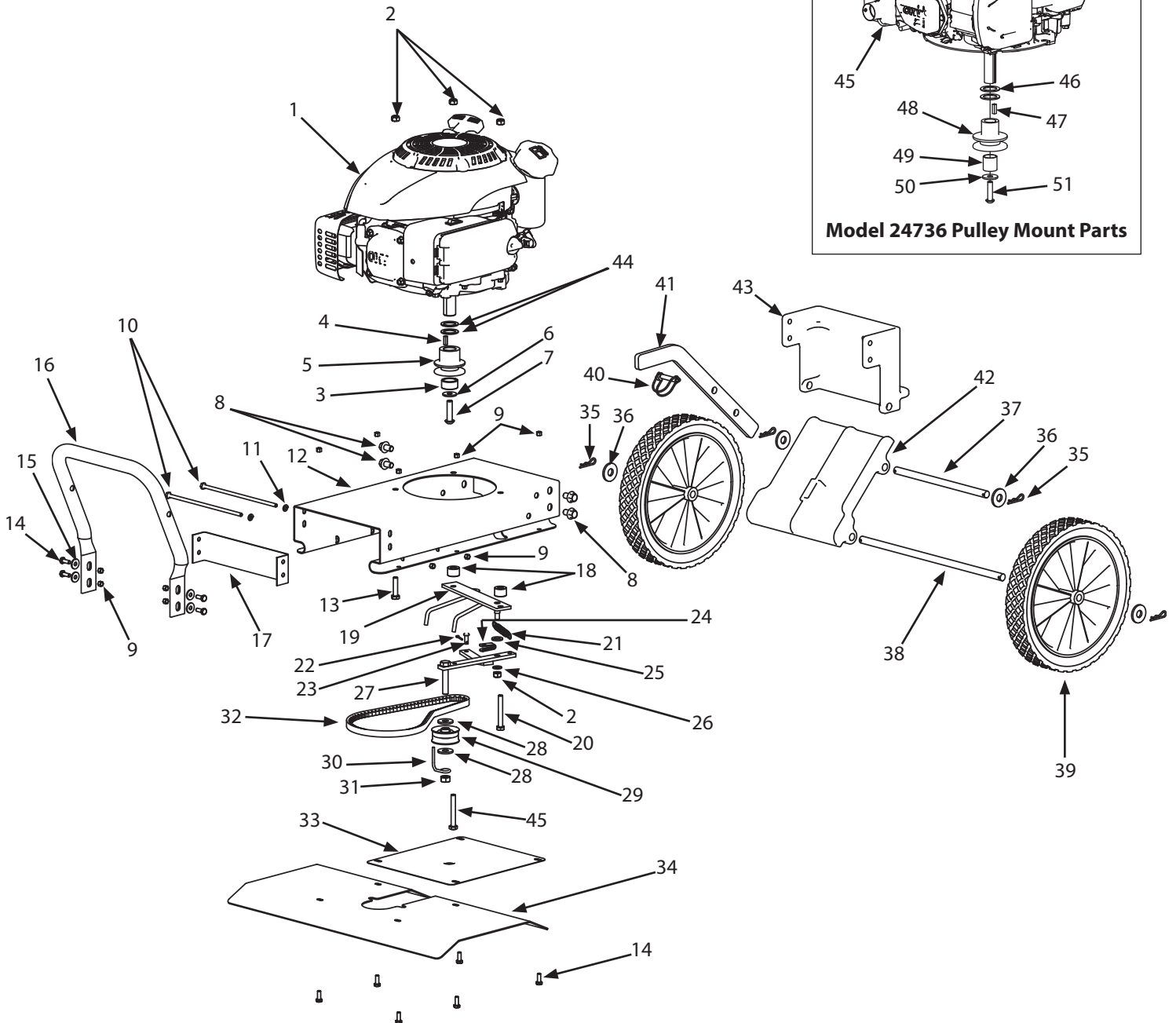
ILLUSTRATED PARTS BREAKDOWN: TINES AND TRANSMISSION ASSEMBLY



ILLUSTRATED PARTS BREAKDOWN: TINES AND TRANSMISSION ASSEMBLY

ITEM NO.	PART #	DESCRIPTION	QTY.
1	400023	NUT M8 NYLOCK	4
2	3316	BOLT M8 X 1.25 X 45 HEX HEAD	4
3	13905	TINE OUTER RIGHT	1
4	13903	TINE INSIDE	2
5	13904	TINE OUTSIDE LEFT	1
6	13599	NUT M6 X 1.0 NYLOCK	9
7	13600	BOLT M6 X 1.0 X 25 HEX HEAD	9
8	--	ORDER PART NUMBER 13586 TRANSMISSION	1
9	--	ORDER PART NUMBER 13586 TRANSMISSION	1
10	1810	SNAP RING 1 INCH	2
11	13902	BEARING, BALL 25MM ID 6005RS	2
12	14421	SPACER 25MM X 35MM X 5.43MM THICK	2
13	13615	GEAR, BRONZE 25MM ID 6MM KEY 30 TEETH FT	1
14	17990	KEY 6X10 X25MM HALFMOON	1
15	13612	TINE SHAFT 25MM OD 6MM KEY	1
16	3220	BEARING 20X47X15.2 TAPERED ROLLING 30204	2
17	17991	BOLT M8 X 1.25 X 30 HEX HEAD	1
18	1916965	WASHER SPRING LOCK 3/8"	1
19	803	WASHER 5/16 ID X 1-1/2" OD FLAT 16 GA	1
20	13619	PULLEY, TRANSMISSION, SINGLE GROOVE	1
21	3309	BEARING 20MM ID X 42MM OD 6004 2RS	1
22	8924	RETAINING RING 3/4" EXTERNAL	1
23	13590	SPACER, ROUND STEEL 26 X 20.22 X 6.8MM	1
24	17989	KEY 5MM X 5MM X 20MM	1
25	13610	DRIVESHAFT WORM 20MM OD	1
26	13586	TRANSMISSION 7.5:1 WORM BRASS 25MM SHAFT	1
27	21825	BOX, OUTER TINES, WHEEL SHAFT, DRAG STAKE	1

ILLUSTRATED PARTS BREAKDOWN: ENGINE AND CHASSIS PARTS



ILLUSTRATED PARTS BREAKDOWN: ENGINE AND CHASSIS PARTS

ITEM NO.	PART #	DESCRIPTION	QTY.
1*	—	ENGINE KOHLER XT 675 149CC	1
2	400023	NUT M8 NYLOCK	4
3	20894	ENGINE SPACER 23 X 30 X 14 MM	1
4	3364	KEY, SQUARE 3/16" X 5/8"	1
5	20907	PULLEY SINGLE GROOVE ENGINE 4L	1
6	3245	WASHER M8 X 24 X 2.2 MM	1
7	21035	BOLT 3/8-24 X 1.5 SOCKET HEAD	1
8	20820	BOLT M10 X 1.5 X 16 HEX HEAD	4
9	4650	NUT M6 X 1.0 NYLOCK	12
10	20824	BOLT M6 X 1.0 X 190 HEX HEAD	2
11	18130	WASHER M6 X 1.5 SPRINGLOCK	2
12	3130A	FRAME ENGINE MOUNT	1
13	20816	BOLT M8 X 1.25 X 35 HEX HEAD	1
14	17986	BOLT M6 X 1.0 X 16 HEX HEAD	10
15	20148	WASHER M6 X 18 X 1.6 FLAT	4
16	3335	ARM LOWER HANDLEBAR	1
17	3371	COVER 4 HOLE	1
18	744	SPACER FORWARD ARM 10.5 X 22 X 14.5 MM	2
19	20834	BELT GUIDE AND MOUNT	1
20	20144	BOLT M8 X 1.25 X 60 HEX HEAD	2
21	1407	SPRING, FORWARD ARM	1
22	53398	PIN, COTTER 2MM X 16 MM	1
23	1416	PIN CLEVIS 6.3 X 16.8 MM	1
24	53596B	YOKE ZINC PLATED CLEVIS	1
25	2431	WASHER M10 X 20 X 2	1
26	400024	WASHER M8 8.4 X 16 X 1.6	1
27	20835	FORWARD ARM	1

ITEM NO.	PART #	DESCRIPTION	QTY.
28	W1200126	WASHER M10 X 28 X 2.8	2
29	1413	PULLEY, REVERSE IDLER	1
30	22563	WIREFORM BELT CATCH	1
31	W1265V0903	NUT M10 X 1.5 NYLOCK	1
32	22633	BELT V 4L 12 X 675 TOOTH	1
33	3275	SHIELD FRONT TINE FRAME	1
34	3128	TINE SHIELD	1
35	20173	COTTER PIN 2.5 X 35 MM	4
36	50175	WASHER 12MM TILLER	4
37	3332	SHAFT TAIL PIVOT	1
38	3331	SHAFT, WHEEL	1
39	1714252	WHEEL & TIRE ASSY 11.0 X 1.75	2
40	18039	PIN LOCK 8MM X 40 MM	1
41	3157	DRAG STAKE FRONT TINE	1
42	3330	TAIL MOUNT, LOWER	1
43	20799	TAIL MOUNT UPPER	1
44	21246	SPACER 22.5 X 31.9 X 1.5 MM	2
MODEL 24736 SPECIFIC PARTS			
45*	—	ENGINE BRIGGS & STRATTON 725	1
46	21246	SPACER 22.5 OD X 31.9 ID X 1.5 MM	2
47	3364	KEY SQUARE 3/16 X 5/8	1
48	3178	PULLEY SINGLE GROOVE ENGINE 4L OFFSET	1
49	741	SPACER DRIVE PULLEY .900 IN	1
50	3245	WASHER M8 X 24 X 2.0MM	1
51	23172	BOLT 5/16-24 X 1-1/4	1

*See engine manual for ordering engine service parts