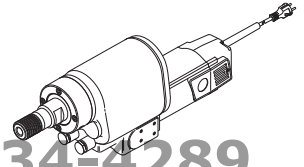


DIMAS



ConstructionParts.com

888-634-4289

IPL, DIMAS DM310, 2003-03, 531 07 99-06

DIMAS DM310

Reservdelar

Spare parts

Ersatzteile

Pieces de rechange

Piezas de repuesto

Ricambi

Peças
sobresselente

ConstructionParts.com

ConstructionParts.com

888-634-4289

531 07 99-06

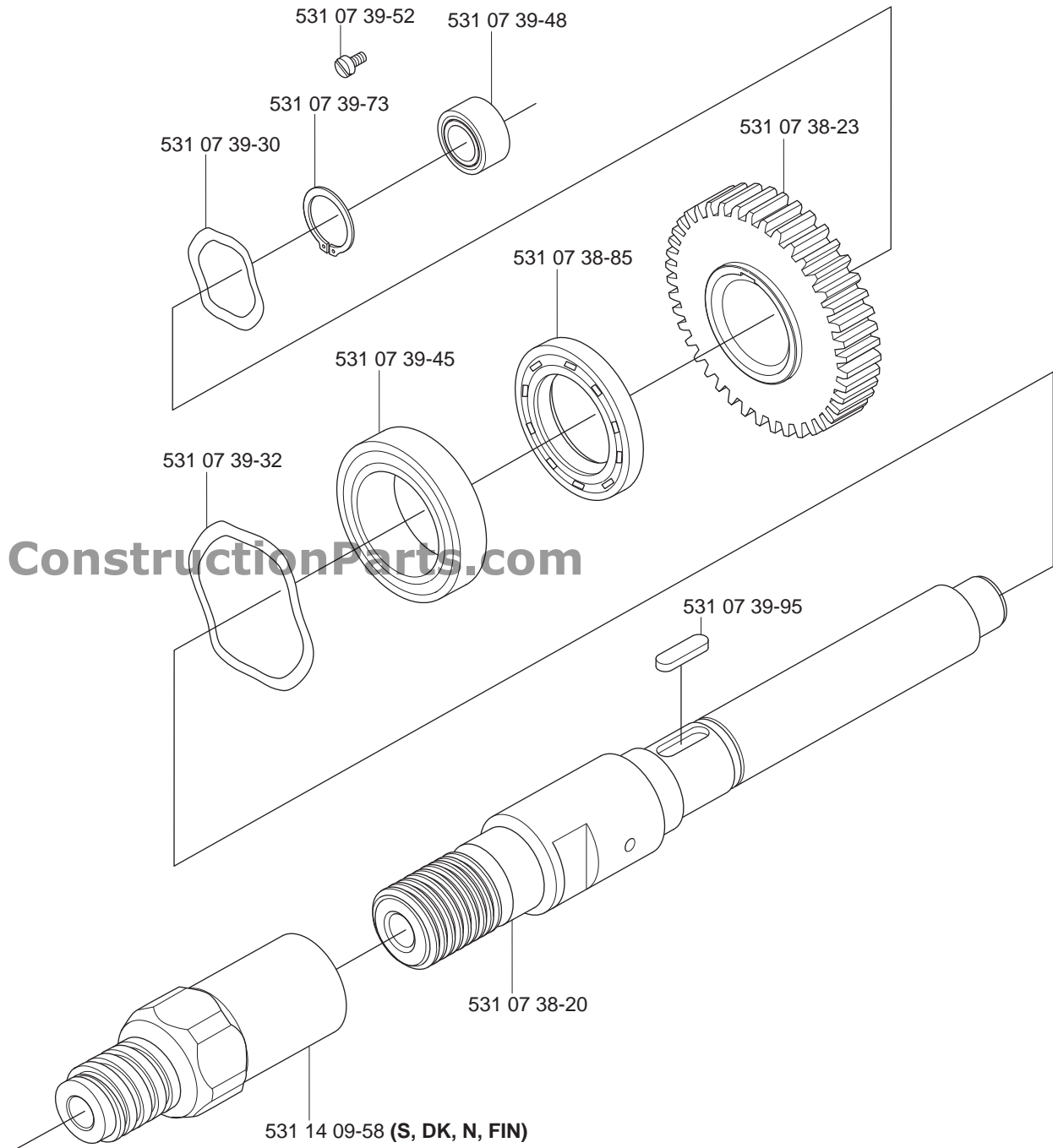
DIMAS

No.	Pos.	Description	No.	Pos.	Description
503 21 20-01	H	Screw	531 07 39-57	E	Screw
503 21 20-02	H	Screw	531 07 39-59	E	Screw
503 25 10-04	F	Ball bearing	531 07 39-60	E	Screw
503 26 60-01	E	Quick coupler	531 07 39-62	H	Screw
503 78 22-04	G	Decal	531 07 39-66	G	Spring washer
505 53 03-00	H	Cable clamp	531 07 39-72	F	Retaining ring
505 53 03-03	H	Rubber bushing	531 07 39-73	A	Retaining ring
505 53 03-07	G	Air stream director	531 07 39-81	BD	Key
505 53 03-14	F	Rubber bushing	531 07 39-82	D	Rubber ring
505 53 03-42	H	Capacitor	531 07 39-84	F	Rubber ring
505 53 03-51	F	Ball bearing shim	531 07 39-85	D	Rubber ring
505 53 03-56	H	Cable 110v	531 07 39-87	G	Washer
506 22 51-10	G	Field coil 110v	531 07 39-91	F	Radial sealing
506 22 51-20	G	Field coil 230v	531 07 39-93	D	Locking screw
506 22 52-01	G	Ground connection	531 07 39-95	A	Flat key
506 22 53-01	G	Screw	531 07 39-99	B	Tube pin
506 22 54-01	H	Screw	531 07 40-46	H	Elgard 110v
506 22 58-02	G	Carbon brush	531 07 42-59	E	Adapter
531 03 12-76	E	Bolt	531 07 42-60	E	Washer
531 07 38-03	H	Inspection cover	531 14 09-50	E	Waterhose compl
531 07 38-04	H	Inspection cover	531 14 09-51	J	Spanner 32mm
531 07 38-05	B	Bar	531 14 09-55	G	Decal
531 07 38-06	E	Bearing cover	531 14 09-57	H	Elgard 230v
531 07 38-10	G	Brush rocker compl	531 14 09-58	A	Adapter
531 07 38-12	H	Switch house	531 14 09-59	B	Bushing
531 07 38-13	H	Switch cap	531 14 09-60	B	Washer
531 07 38-14	H	Dust guard	531 14 09-61	E	Decal
531 07 38-17	D	Handle	531 14 09-65	D	Rubber ring
531 07 38-20	A	Output shaft	531 14 09-66	H	Cable 230v PRCD
531 07 38-21	C	Spline shaft	531 14 09-68	B	Gear wheel compl
531 07 38-22	B	Gear shaft	531 14 09-69	B	Gear shaft rep set
531 07 38-23	A	Gear wheel	531 14 09-70	C	Gear wheel compl
531 07 38-24	C	Gear wheel	531 14 09-71	C	Spline shaft rep set
531 07 38-25	B	Gear wheel	531 14 09-72	F	Armature 110v
531 07 38-27	D	Gear shaft	531 14 09-73	F	Armature 230v
531 07 38-28	D	Bushing	531 14 09-74	F	Sealing ring
531 07 38-29	E	Sliding axle	723 22 84-85	G	Screw
531 07 38-30	E	Slide rod	725 52 91-55	G	Screw
531 07 38-31	C	Gear wheel compl	732 21 14-01	G	Locking nut
531 07 38-33	B	Pressure washer	735 11 36-50	G	Washer
531 07 38-35	E	Gearbox	735 11 46-50	GH	Spring washer
531 07 38-36	E	Fan casing			
531 07 38-37	E	Gasket			
531 07 38-38	E	Guiding tube			
531 07 38-44	G	Motor casing			
531 07 38-49	E	Magnetic bolt			
531 07 38-79	E	Fibre washer			
531 07 38-84	C	Wire device			
531 07 38-85	A	Radial sealing			
531 07 38-91	H	Switch			
531 07 38-94	E	U-sleeve			
531 07 38-95	E	Decal			
531 07 38-97	D	Pressure screw			
531 07 38-98	D	Spring			
531 07 39-02	H	Elgard 120v			
531 07 39-24	F	Support washer			
531 07 39-25	C	Support ring			
531 07 39-26	C	Support ring			
531 07 39-27	B	Spring washer			
531 07 39-29	F	Arched washer			
531 07 39-30	A	Ball bearing shim			
531 07 39-32	A	Ball bearing shim			
531 07 39-43	BC	Ball bearing			
531 07 39-44	F	Ball bearing			
531 07 39-45	A	Ball bearing			
531 07 39-48	A	Needle bearing			
531 07 39-49	BC	Axial washer			
531 07 39-50	BC	Needle bearing			
531 07 39-51	D	Screw			
531 07 39-52	AF	Screw			

A

ConstructionParts.com

888-634-4289



ConstructionParts.com

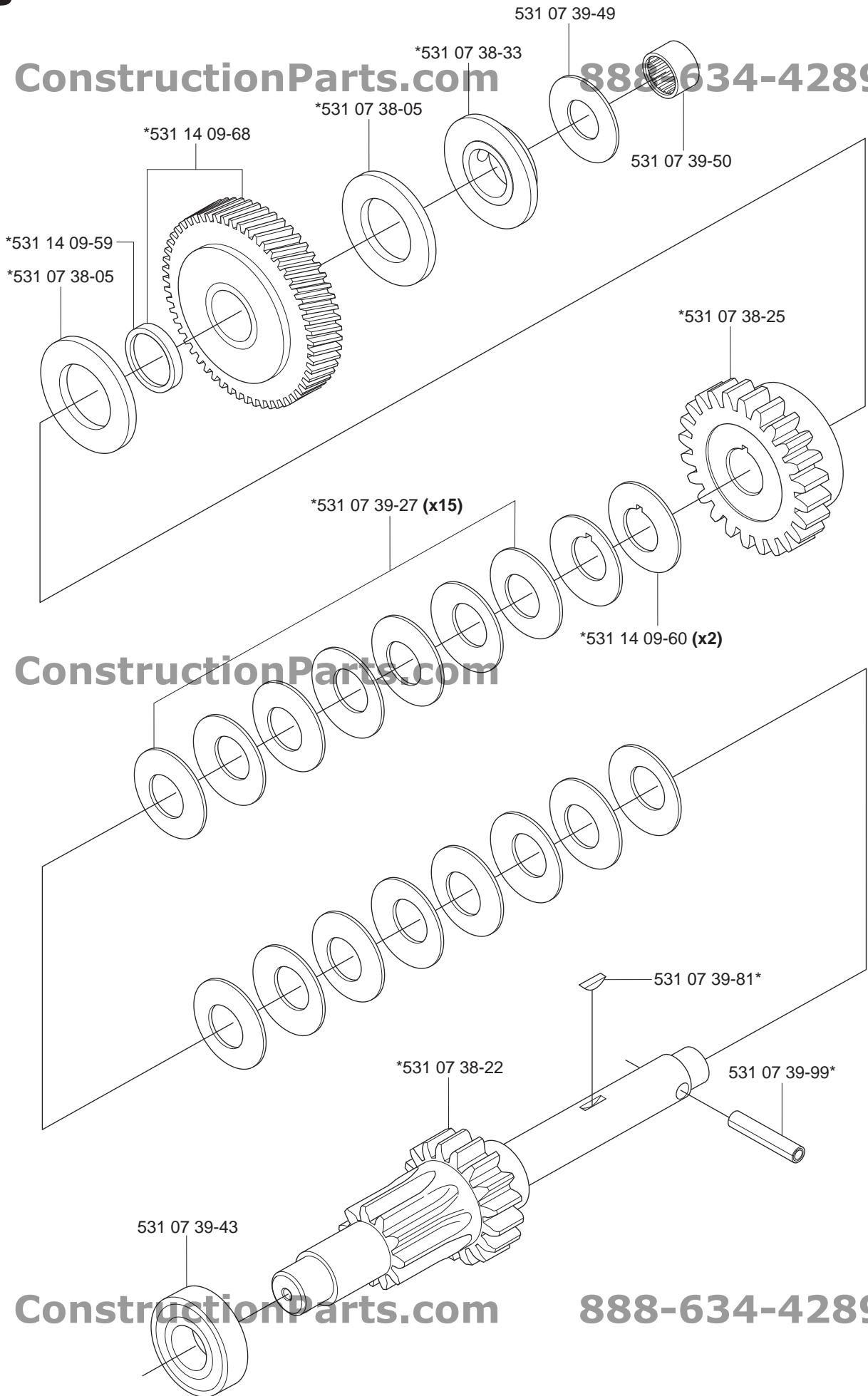
888-634-4289

B

*compl 531 14 09-69

ConstructionParts.com

888-634-4289

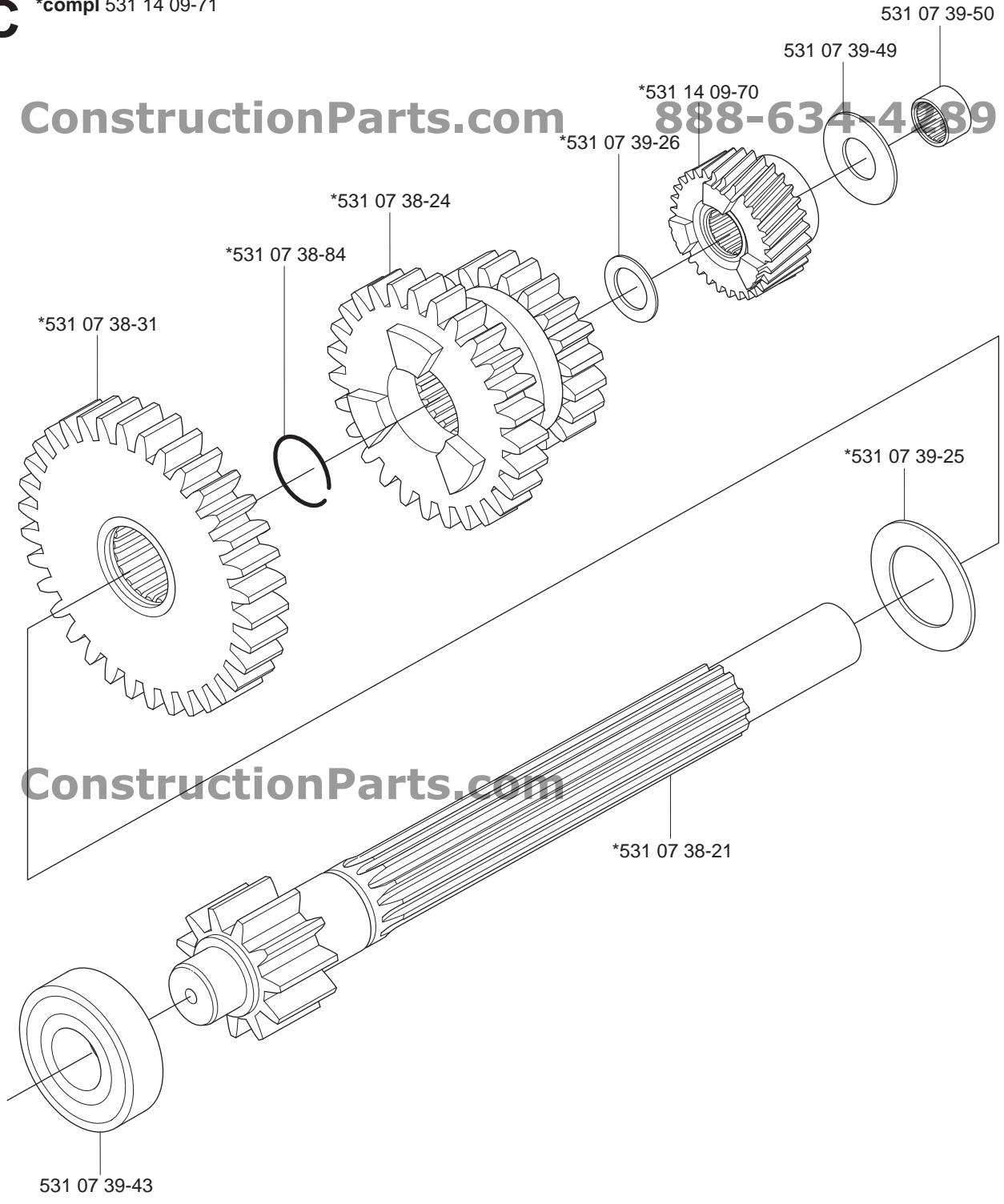


C

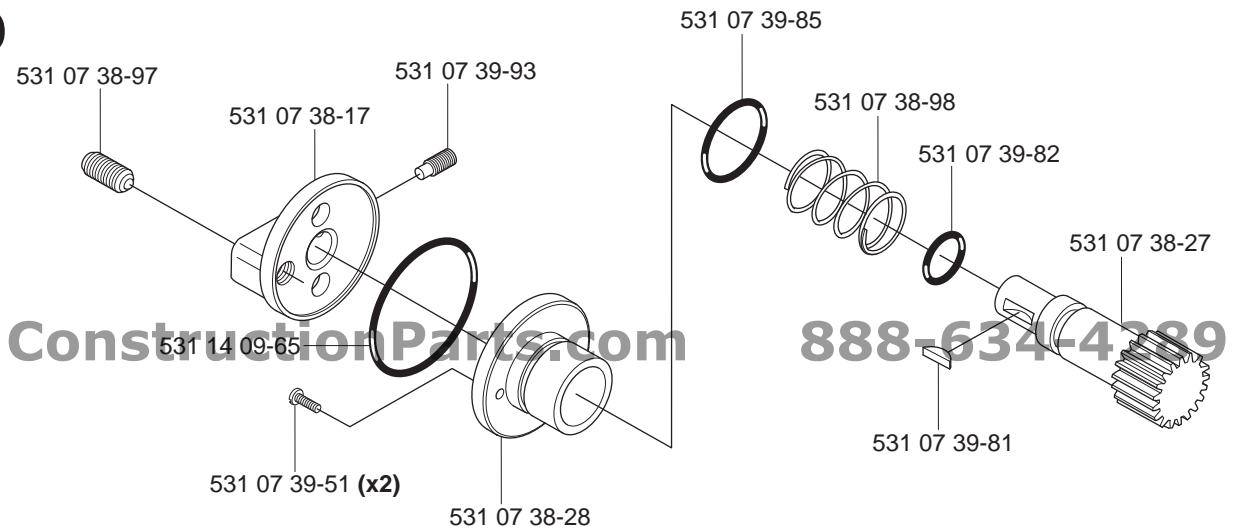
*compl 531 14 09-71

ConstructionParts.com

888-634-4389

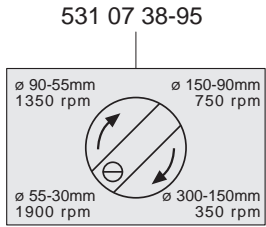
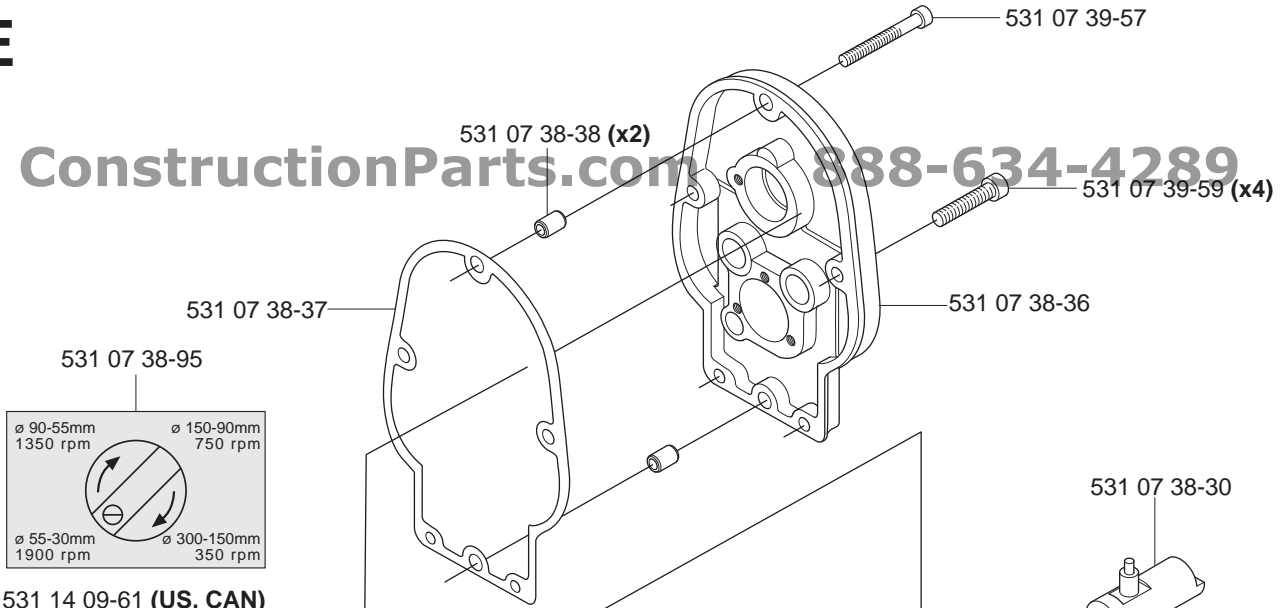


D

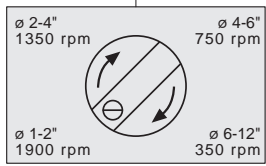


E

ConstructionParts.com 888-634-4289



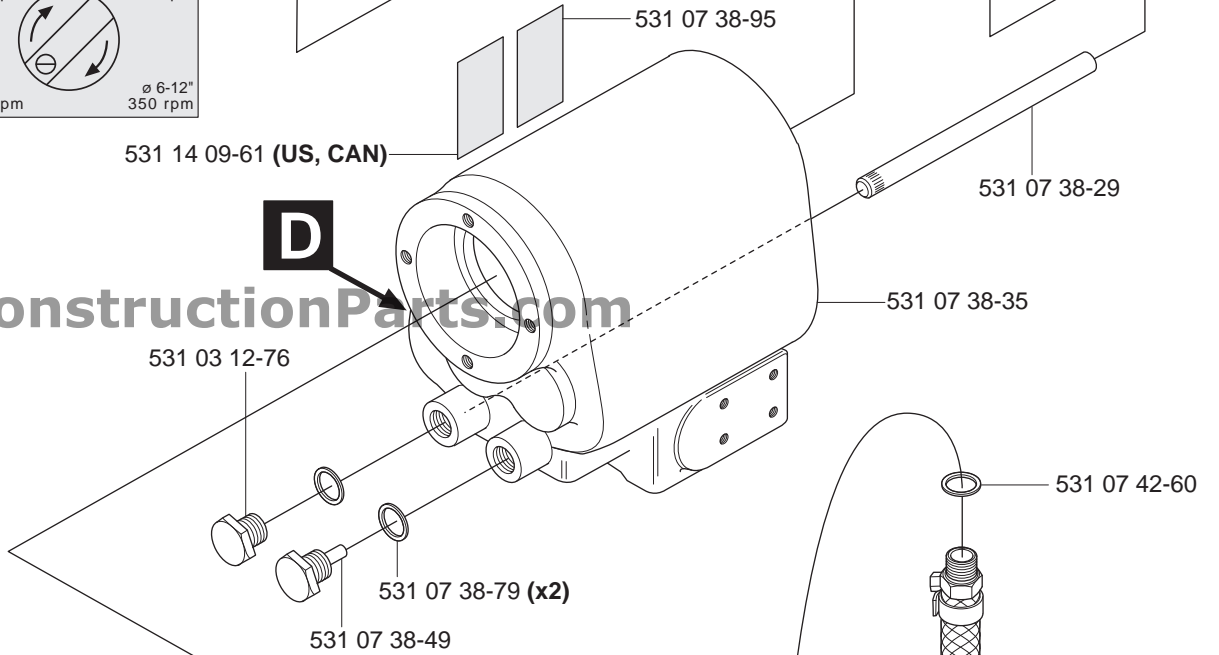
531 14 09-61 (US, CAN)



531 14 09-61 (US, CAN)

D

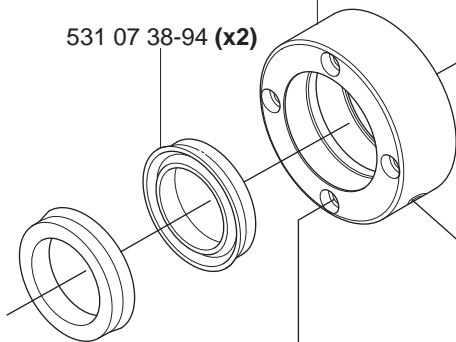
ConstructionParts.com



*compl 531 14 09-50

531 07 38-06

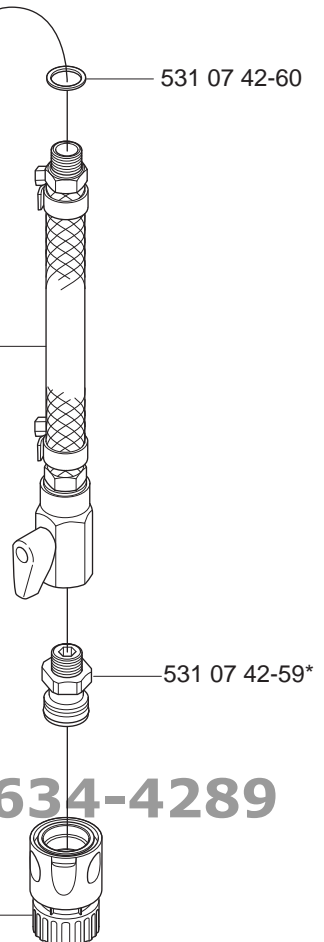
531 07 38-94 (x2)



531 07 39-60 (x4)

ConstructionParts.com 888-634-4289

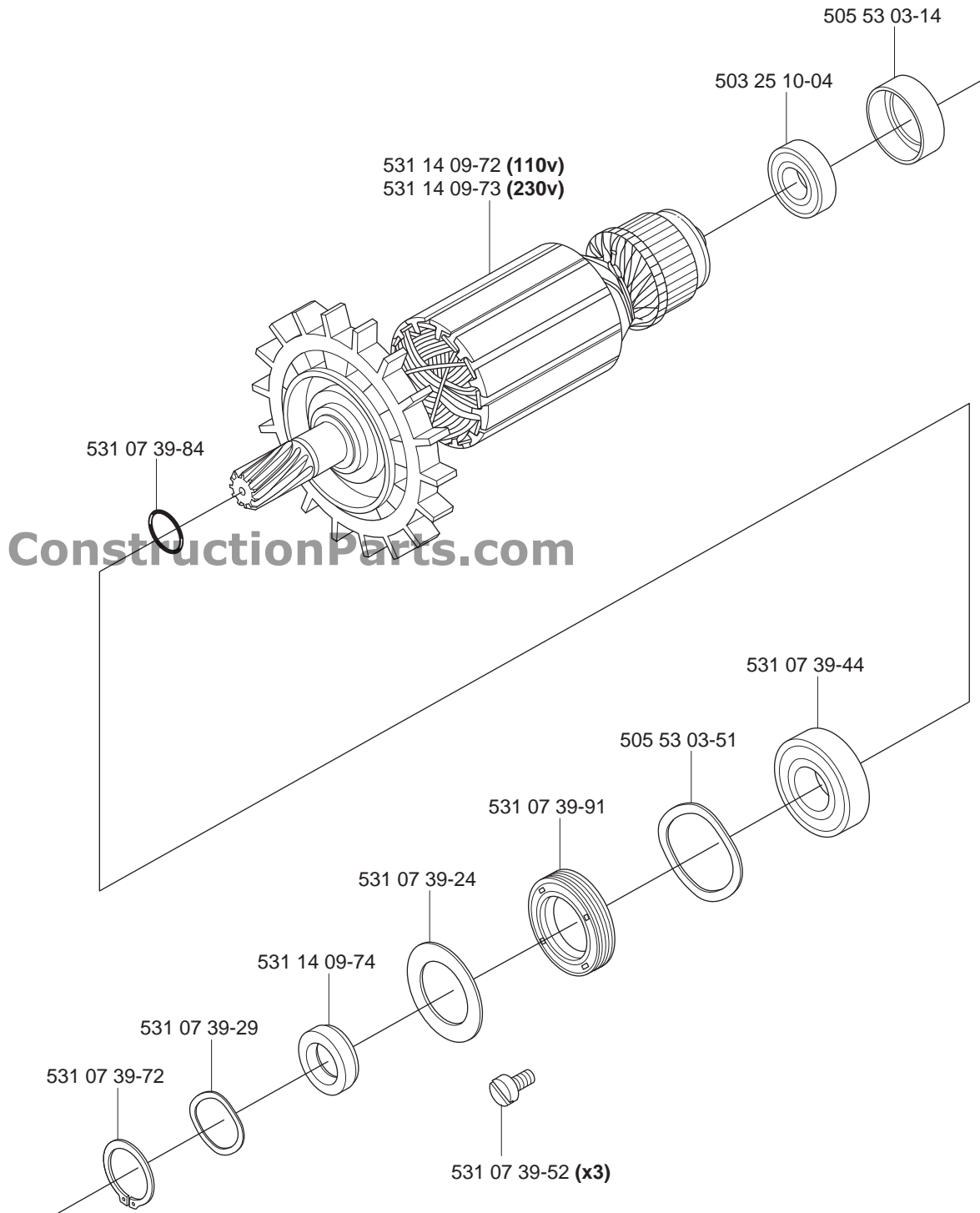
503 26 60-01 (US, CAN)



F

ConstructionParts.com

888-634-4289



ConstructionParts.com

888-634-4289

G

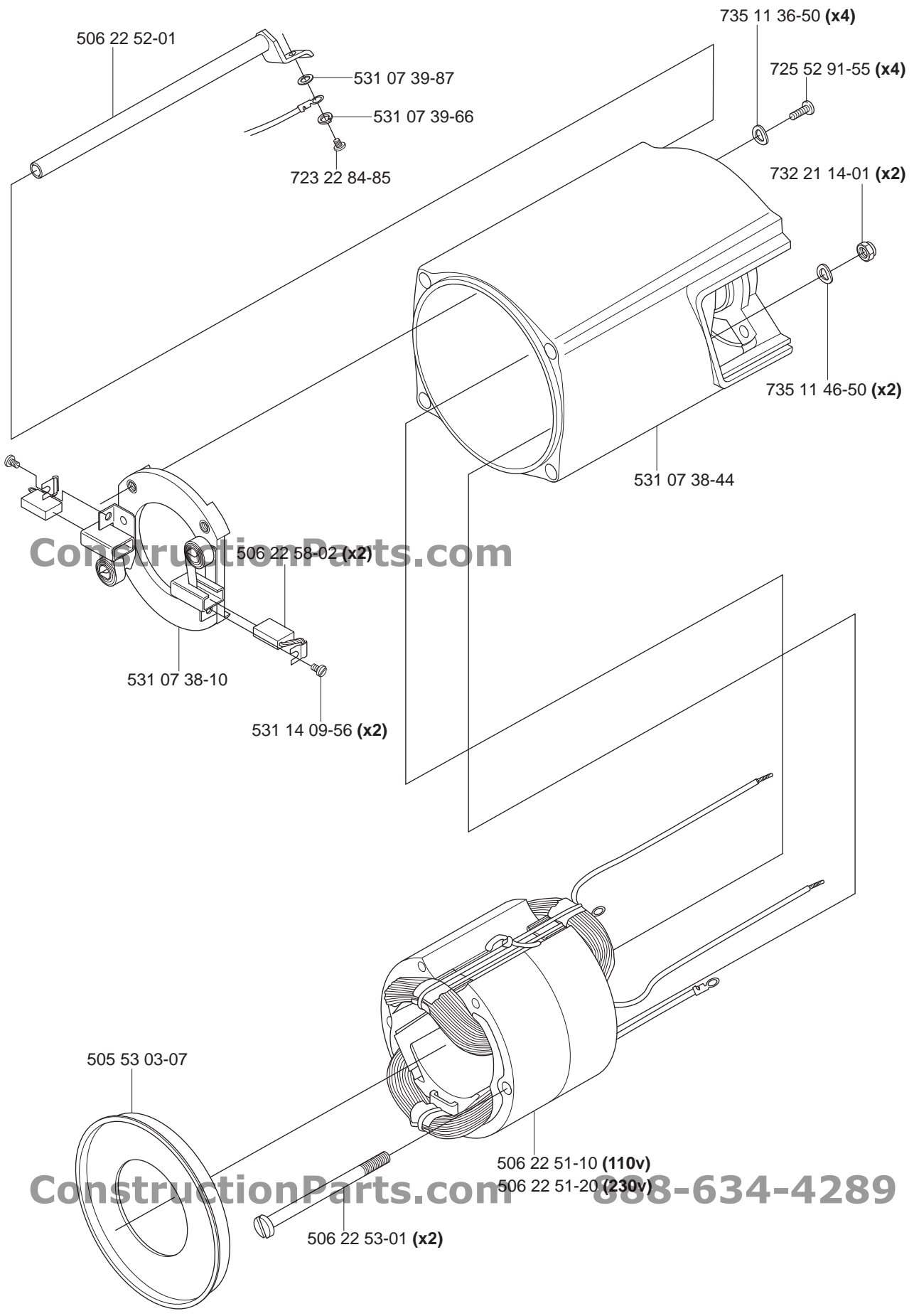
531 14 09-55



ConstructionParts.com

888-634-4289

503 78 22-04



ConstructionParts.com

ConstructionParts.com

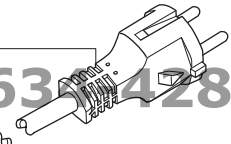
888-634-4289

H

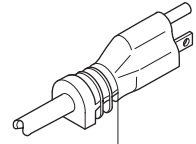
ConstructionParts.com

888-634-4289

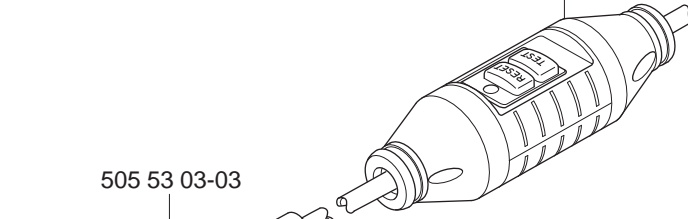
531 14 09-66 (230v)



505 53 03-56 (110v)

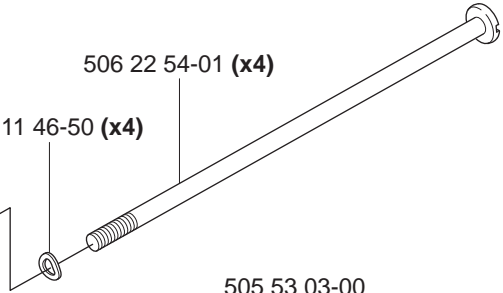


505 53 03-03

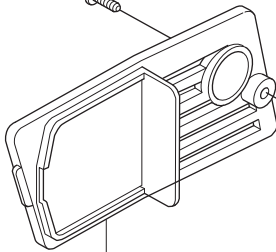


506 22 54-01 (x4)

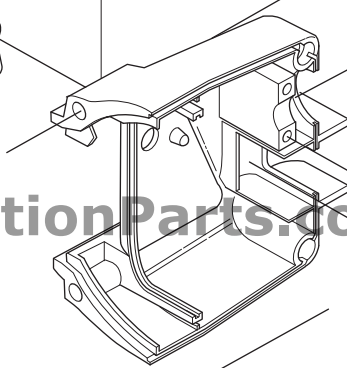
735 11 46-50 (x4)



531 07 39-62

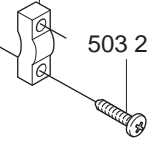


531 07 38-13



505 53 03-00

503 21 20-01 (x2)

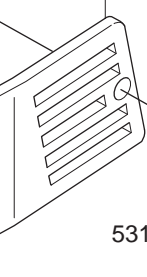


ConstructionParts.com

531 07 38-03

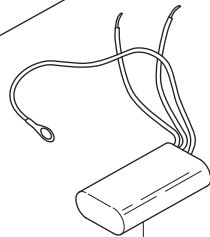
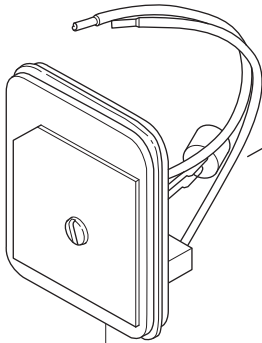
503 21 20-02 (x2)

531 07 38-04



531 07 38-12

531 07 39-62

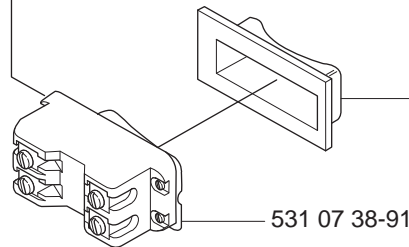


505 53 03-42 (230v)

531 07 40-46 (110v)

531 07 39-02 (120v)

531 14 09-57 (230v)



531 07 38-14

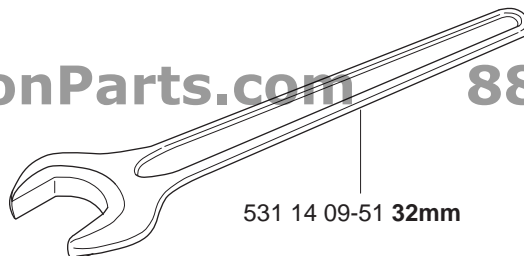
531 07 38-91

J

Accessories
Zubehöre
Accessories
Accessorios
Tillbehör

ConstructionParts.com

888-634-4289



531 14 09-51 32mm