



PARTS LIST FOR *JCW-2403-0MHB/RB*

Engine Oil Grade:	Honda/Subaru: SAE 10W-30 Above 40°F=SAE 30 Below 40°F=SAE10W-30
Engine Oil Capacity:	Honda: 20 oz. Subaru: 20 oz.
Pump Oil Grade:	Mi-T-M Pump Oil #AW-4085-0016
Pump Oil Capacity:	14 oz.
Nozzle Size:	3.5

This Parts Listing has been compiled for your benefit. You can be assured your Mi-T-M Cold Water Pressure Washer was constructed and designed with quality and performance in mind using over 25 years experience in the pressure washer business. Each component has been rigorously tested to insure the highest level of acceptance.

The contents of this Parts Listing are based on the latest product information available at the time of publication. Mi-T-M reserves the right to make changes in price, color, materials, equipment, specifications or models at any time without notice.

WARNING

THIS IS A PROFESSIONAL HIGH PRESSURE, COLD WATER PRESSURE WASHER. CAUTION SHOULD BE OBSERVED WHEN USING OR REPAIRING THIS UNIT! READ AND FOLLOW THE SAFETY WARNINGS LISTED BELOW BEFORE ATTEMPTING ANY REPAIRS ON THIS PRESSURE WASHER!

SAFETY WARNINGS

1. NEVER alter or modify the equipment. Be sure any accessory items and system components being used will withstand the pressure developed. Use only genuine Mi-T-M parts for repair of your pressure washer. Failure to do so can cause hazardous operating conditions and will VOID warranty.
2. NEVER make adjustments on machinery while the unit is connected to the engine without first removing the ignition cables from the spark plugs. Turning over the machinery by hand during adjustment or cleaning might start the machinery, causing serious injury to the operator.
3. Know how to stop and bleed pressures quickly. Be thoroughly familiar with controls.
4. Before servicing the unit, turn unit off, relieve the water pressure and allow the unit to cool down. Do not make repairs while the unit is running. Service in a clean, dry, flat area.
5. After testing the machine, DO NOT leave the pressurized unit unattended. Shut off the unit and release trapped pressure before leaving.

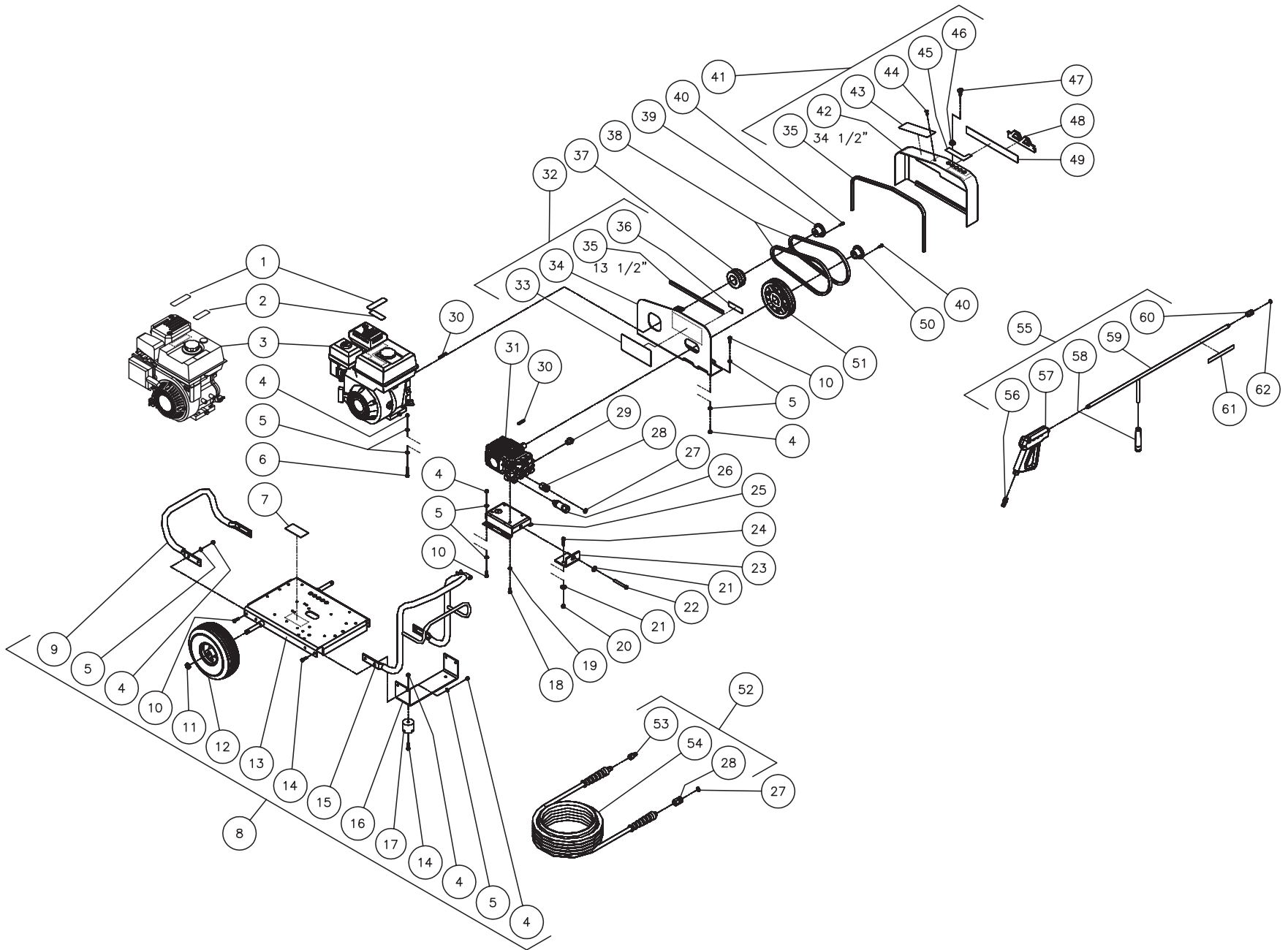
Table of Contents

SPECIFICATIONS	3
FRAME ASSEMBLY	4
PUMP ASSEMBLY (3-0228)	6
UNLOADER ASSEMBLY (8-0456)	8

SPECIFICATIONS

MODEL NUMBER	JCW-2403-0MHB	JCW-2403-0MRB
Operating Pressure (PSI/Bar):	2400/165	
High Pressure Nozzle:	3.5	
Water Volume (GPM/lpm):	2.8/10.6	
Engine:	Honda	Subaru
Horsepower	6.5	7.0
Engine Type	4 Stroke, Overhead Valve, Single Cylinder	4 Stroke, Overhead Cam, Single Cylinder
Oil Type	SAE 10W 30	
Oil Capacity (oz./liters)	20/6	
Low Oil Protection	Oil Alert™	Oil Sensor
Fuel Type	Unleaded Gasoline 86 Octane Minimum	
Fuel Capacity (gallon/ liters)	.95/3.6	
Starting	Recoil	
Maximum No Load RPM	3600	
Pump:	Belt Driven, Oil Bath, Triplex Piston	
Oil Type	Mi-T-M Pump Oil #AW-4085-0016	
Oil Capacity (oz./liters)	14/41	
Plungers	Ceramic	
Manifold	Forged Brass	
Valves	Stainless Steel	
Unloader	Adjustable	
Thermal Relief Valve	Relieves heated water during unloader bypass stage	
Unit Net Weight (Lbs/kg)	121/54.5	
Unit Shipping Weight (Lbs/kg)	171/77.5	
Unit Net Dimension (In/cm)	37.5L x 22W x 25H/95L x 56W x 63.5H	
Unit Shipping Dimension (In/cm)	40L x 26W x 34H/101.5L x 66W x 86H	

FRAME ASSEMBLY



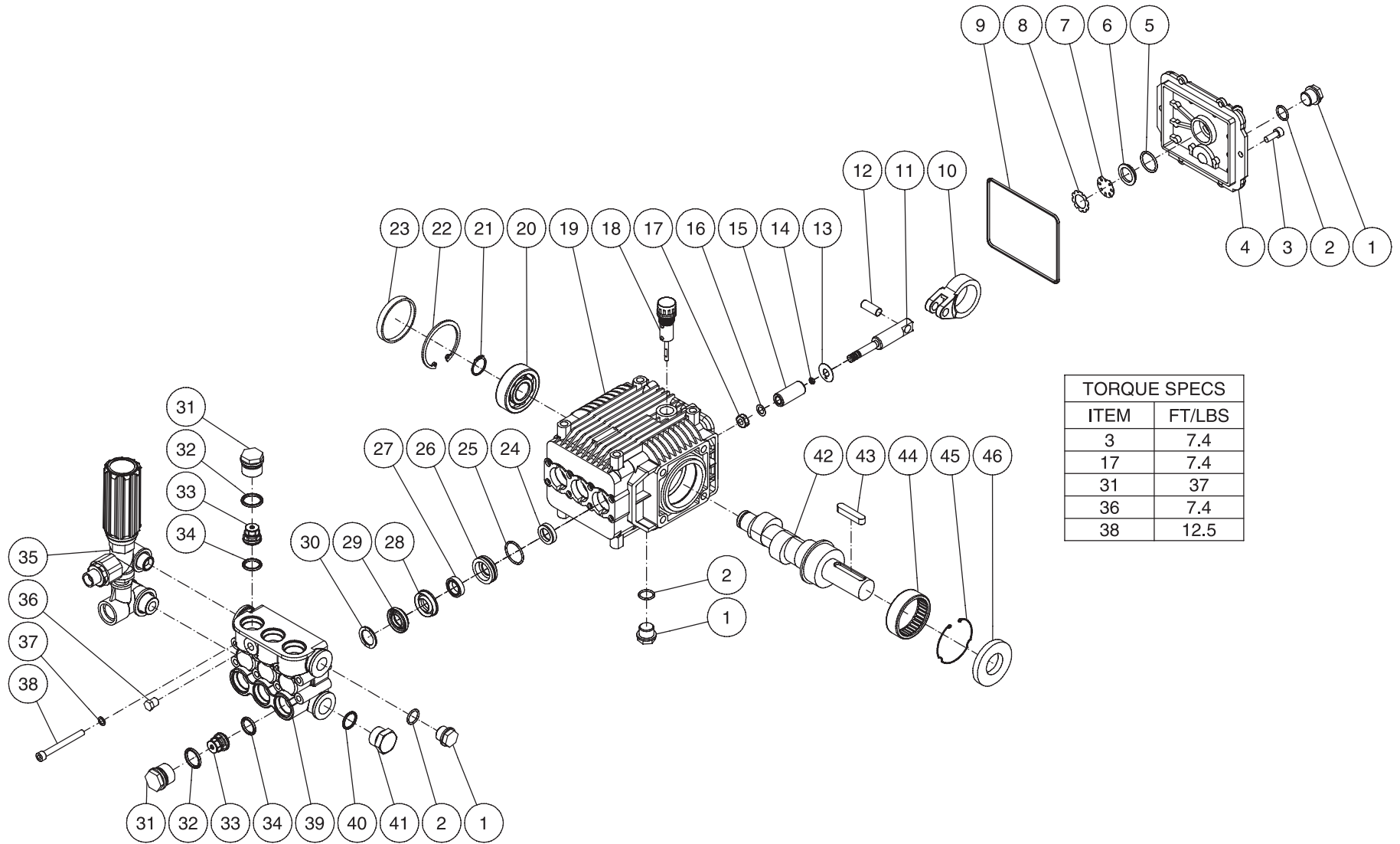
JCW-2403-0MHB/R-032213-MLK

FRAME ASSEMBLY

REF #	DESCRIPTION	PART #	QTY	REF #	DESCRIPTION	PART #	QTY
1	Decal- Warning: Risk of Burns (See 71-1031)	N/A	1	34	Beltguard Back Assembly (See 851-0213)	N/A	1
2	Decal- Caution: Risk of Fire (See 71-1031)	N/A	1	35	Edging *(Four Feet Required)	33-0020	1
3	Engine- Honda (JCW-2403-0MHB)	1-0088	1	36	Decal- Warning: Beltguard (See 71-1031)	N/A	1
-	Engine- Subaru (JCW-2403-0MRB)	1-0133	1	37	Sheave	10-0029	1
4	Locknut	30-0157	22	38	Belt	11-0023	2
5	Flatwasher	28-0003	32	39	Bushing	9-0009	1
6	Bolt	27-0070	4	40	Bolt	27-0015	4
7	Decal- Data Plate	N/A	1	41	Beltguard Cover Assembly (Inc. 35, 42-46)	851-0313	1
8	Base Assembly (Inc. 4, 5, 9-17)	851-0212	1	42	Beltguard Cover (See 851-0313)	N/A Sep.	1
9	Rear Handle	7-0103A01	1	43	Decal- Operation (See 71-1031)	N/A	1
10	Bolt	27-0067	12	44	Fastener	33-0197	1
11	Nut	30-0117	2	45	Decal- Nozzles 0, 15, 25, 40 (See 71-1031)	N/A	1
12	Wheel	14-0130	2	46	Grommet	33-0001	5
13	Baseplate	5-0184A01	1	47	Nozzle- 0003	18-0392	1
14	Bolt	27-0068	6	-	Nozzle- 1503	18-0393	1
15	Front Handle	7-0100A01	1	-	Nozzle- 2503	18-0395	1
16	Underbracket	13-0002A01	1	-	Nozzle- 4003	18-0396	1
17	Isolator	14-0008	2	48	Decal- #3M (See 71-1031)	N/A	1
18	Bolt	27-8884	4	49	Decal- Mi-T-M Stripe (See 71-1031)	N/A	1
19	Lockwasher	29-0054	4	50	Bushing	9-0017	1
20	Locknut	30-0159	2	51	Sheave	10-0035	1
21	Flatwasher	28-0023	3	52	Hose Assembly (Inc. 28, 53, 54)	851-0338	1
22	Bolt	27-0576	1	53	Quick Connect Plug	17-0006	1
23	Angle Tightener Bracket	13-0005A01	1	54	Hose	15-0209	1
24	Bolt	27-0118	2	55	Gun/Wand Assembly (Inc. 56-60-62)	851-0095	1
25	Pump Bracket	5-0133A01	1	56	Quick Connect Plug	17-0005	1
26	Inlet Filter	19-0206	1	57	Trigger Gun	16-0001	1
27	O-ring	25-0123	2	58	Wand Grip	7-0002	1
28	Socket	17-0004	2	59	Wand	16-0418	1
29	Thermal Relief Valve	22-0005	1	60	Quick Connect Socket	17-0001	1
30	Key	43-0073	1	61	Decal- Warning: Risk of Injection (See 71-1031)	N/A	1
31	Pump	3-0228	1	62	O-ring	25-0122	1
32	Beltguard Back Assembly (Inc. 33-36)	851-0213	1		Decal Kit	71-1031	
33	Decal- Warning/Caution (See 71-1031)	N/A	1				

*Must Order in One Foot Lengths

PUMP ASSEMBLY (3-0228)



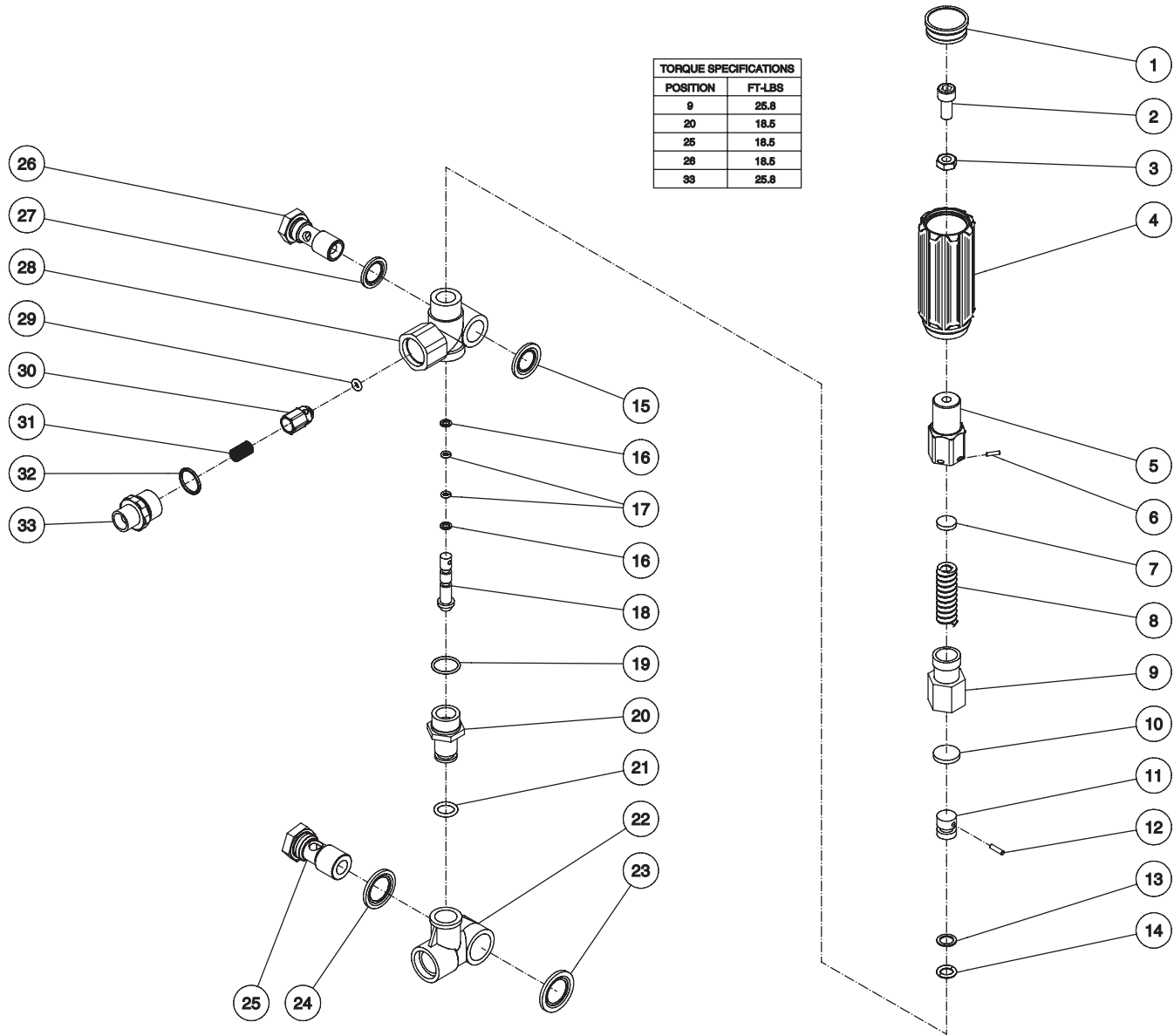
TORQUE SPECS	
ITEM	FT/LBS
3	7.4
17	7.4
31	37
36	7.4
38	12.5

3-0228-080905-JJT

PUMP ASSEMBLY (3-0228)							
REF. #	DESCRIPTION	PART #	QTY.	REF. #	DESCRIPTION	PART #	QTY.
1	Plug	39-0086	3	26	Retainer	46-0726	3
2	O-ring	25-0325	3	27	Low Pressure Seal (See 70-0181)	N/A Sep.	3
3	Bolt	27-8888	6	28	Packing Retainer	46-0728	3
4	Crankcase Cover	46-0719	1	29	V-Packing (See 70-0181)	N/A Sep.	3
5	O-ring	25-0370	1	30	Support Ring (See 70-0182)	N/A Sep.	3
6	Oil Sight Glass	46-0670	1	31	Valve Cap	39-0087	6
7	Reflector	46-0824	1	32	O-ring	25-0160	6
8	Retainer	46-0671	1	33	Single Valve Assembly (See 70-0161)	N/A Sep.	6
9	O-ring	25-0398	1	34	O-ring	25-0386	6
10	Connecting Rod	46-0720	3	35	Unloader	8-0456	1
11	Plunger Rod	46-0722	3	36	Plug	39-0097	1
12	Piston Pin	46-0721	3	37	Lockwasher	29-0153	8
13	Washer	28-1027	3	38	Bolt	27-8875	8
14	O-ring	25-0371	6	39	Manifold	46-0730	1
15	Piston	46-0723	3	40	O-ring	25-0372	1
16	Washer	26-0187	3	41	Plug	39-0088	1
17	Nut	30-6016	3	42	Crankshaft	46-0754	1
18	Oil Dipstick	39-0090	1	43	Key	43-0091	1
19	Crankcase	46-0724	1	44	Bearing	48-0059	1
20	Bearing	48-0063	1	45	Retaining Ring	46-0667	1
21	Retaining Ring	46-0732	1	46	Oil Seal	26-0250	1
22	Retaining Ring	46-0676	1		High Pressure Seal Kit (Inc. 3 each 25, 27, 29)	70-0181	
23	Bearing Cap	46-0725	1		Support Ring Kit (Includes 3 each 30)	70-0182	
24	Oil Seal	N/A	3		Valve Kit (Includes 6 each 33)	70-0161	
25	O-ring	25-0399	3				

UNLOADER ASSEMBLY (8-0456)

TORQUE SPECIFICATIONS	
POSITION	FT.-LBS
9	25.8
20	18.5
25	18.5
28	18.5
33	25.8



UNLOADER ASSEMBLY (8-0456)							
REF. #	DESCRIPTION	PART #	QTY.	REF. #	DESCRIPTION	PART #	QTY.
1	Unloader Cap	7-0142	1	18	Piston	8-0442	1
2	Bolt	27-8433	1	19	O-ring	25-0389	1
3	Nut	30-3025	1	20	Nipple	8-0441	1
4	Unloader Knob	7-0141	1	21	O-ring	25-0388	1
5	Adjustment Barrel	8-0476	1	22	Inlet Bypass Adapter	8-0437	1
6	Pin	8-0477	1	23	Washer	8-0439	1
7	Spring Button	8-0475	1	24	Washer	8-0440	1
8	Spring	49-0132	1	25	Adapter	8-0438	1
9	Spring Guide	8-0474	1	26	Adapter	8-0448	1
10	Spring Button	8-0445	1	27	Washer	8-0449	1
11	Poppet	8-0443	1	28	Unloader Body	8-0451	1
12	Pin	8-0444	1	29	O-ring	25-0391	1
13	Back-up Ring	25-0396	1	30	Check Valve	8-0454	1
14	O-ring	25-0390	1	31	Check Valve Spring	49-0123	1
15	Washer	8-0450	1	32	O-ring	25-0372	1
16	Back-up Ring	25-0395	2	33	Adapter Nipple	24-0159	1
17	O-ring	25-0371	2		Unloader Repair Kit (Inc. 13, 14, 16, 17, 19, 21, 29)	70-0180	

Manufactured by Mi-T-M
8650 Enterprise Drive, Peosta IA 52068
563-556-7484/ Fax 563-556-1235