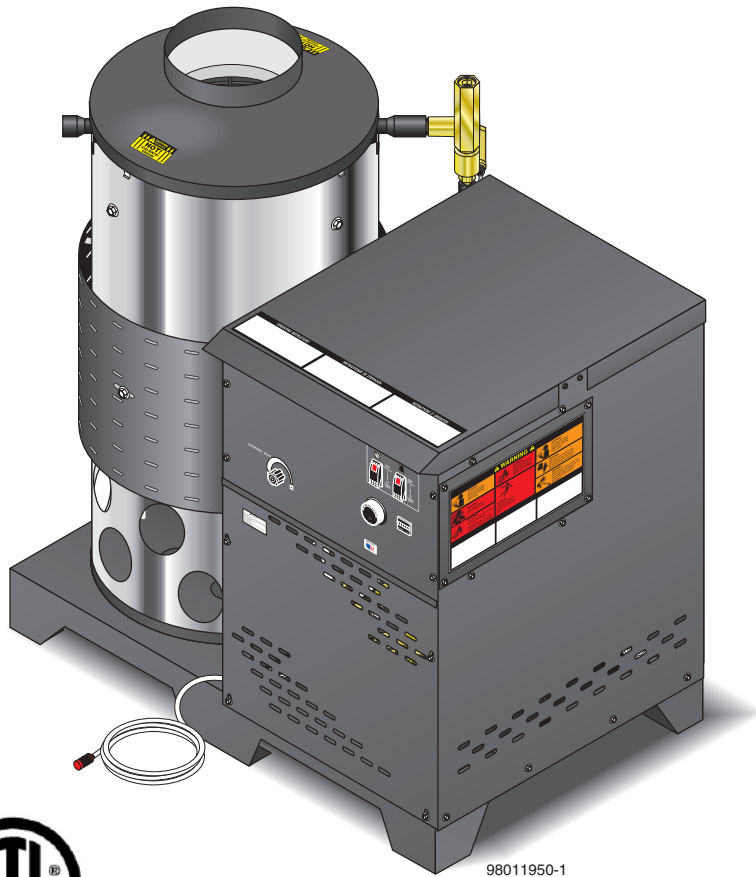




HNG

OPERATOR'S MANUAL

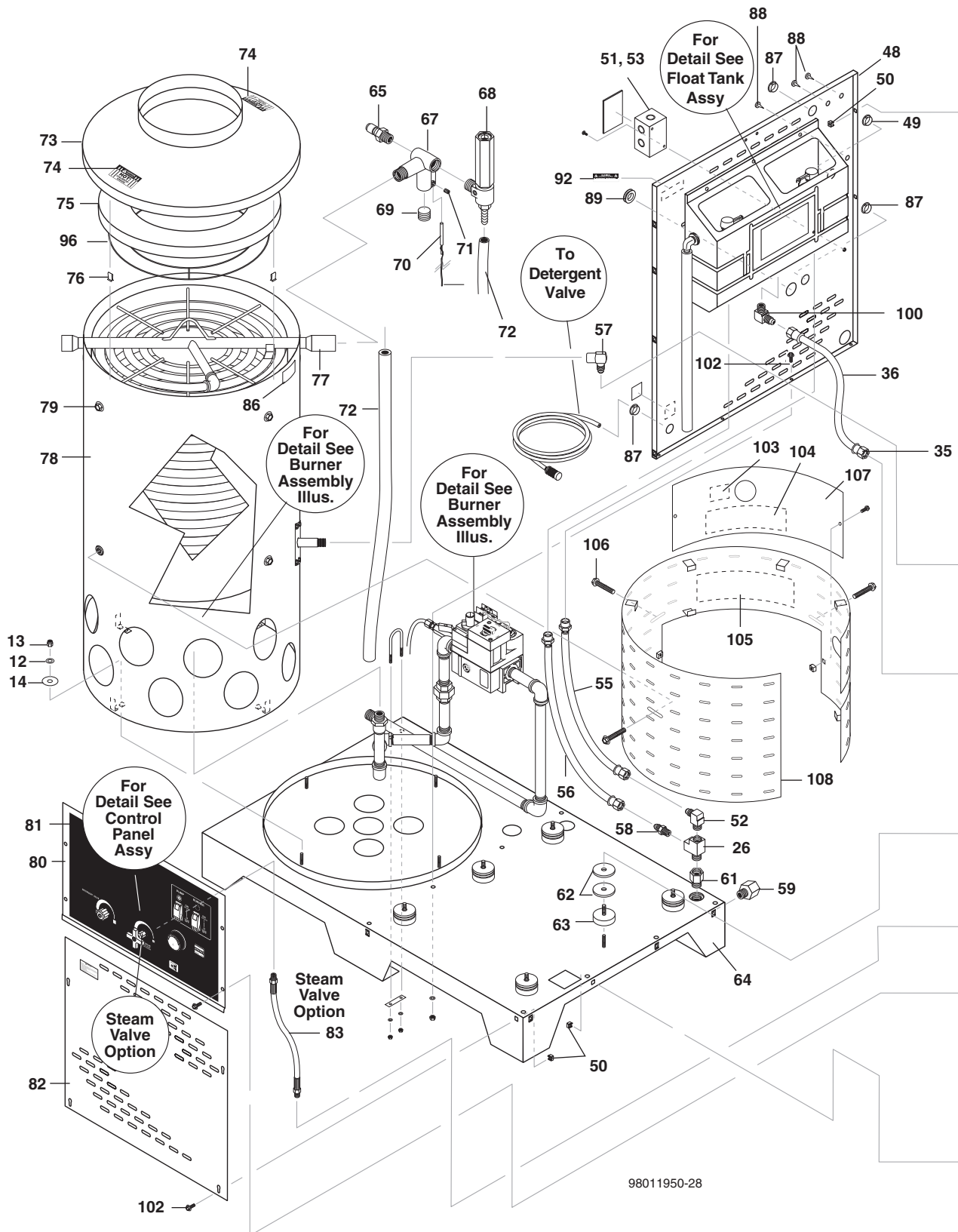


98011950-1



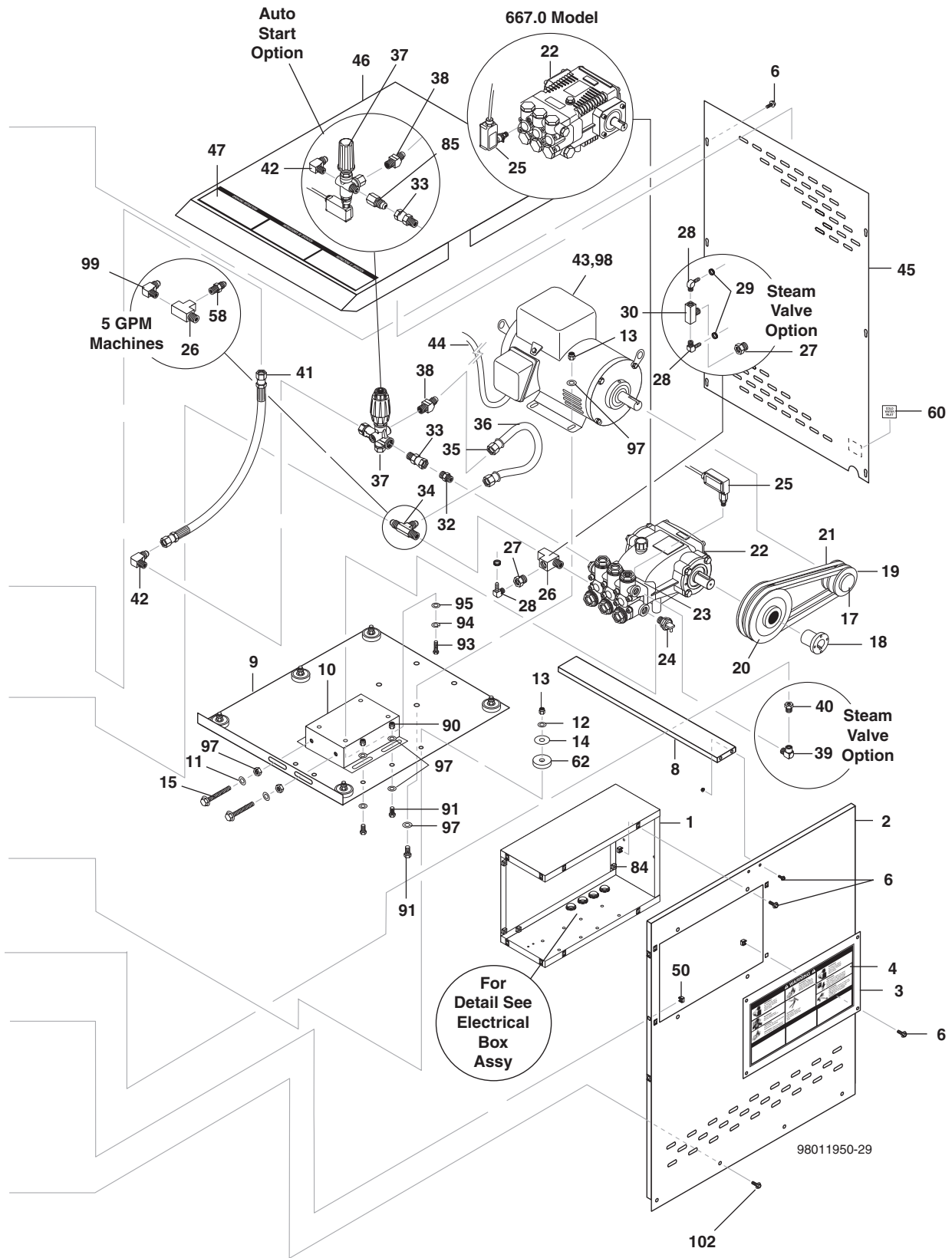
<u>MODEL #</u>	<u>ORDER #</u>	<u>MODEL #</u>	<u>ORDER #</u>
HNG-352007A	1.109-667.0	HNG-353007A	1.109-672.0
HNG-402007A	1.109-668.0	HNG-353007B	1.109-673.0
HNG-502007A	1.109-669.0	HNG-503007B	1.109-674.0
HNG-502007B	1.109-670.0	HNG-503007C	1.109-675.0
HNG-502007C	1.109-671.0	HNG-503007F	1.109-676.0

EXPLODED VIEW



98011950-28

EXPLODED VIEW



EXPLODED VIEW PARTS LIST

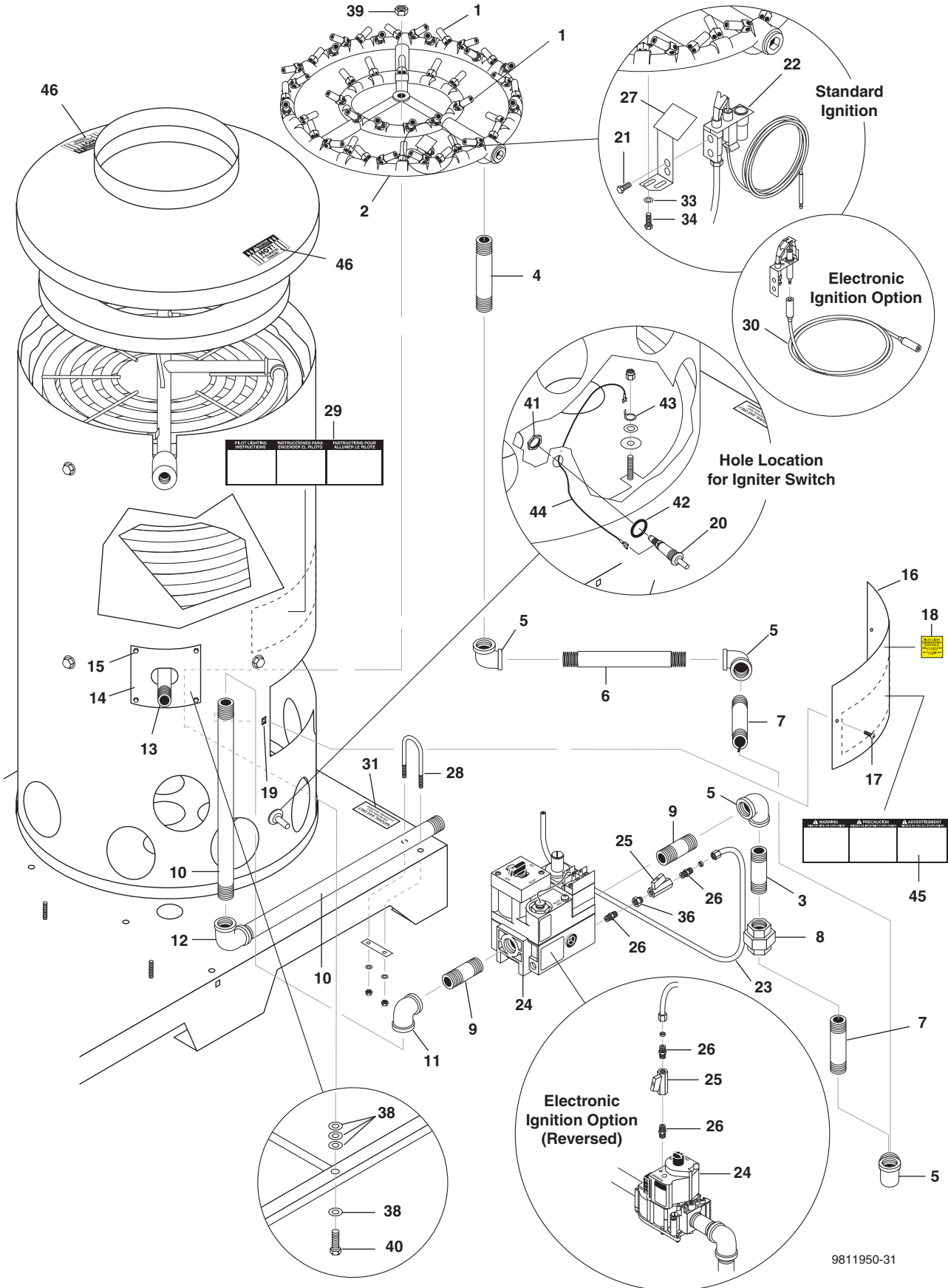
ITEM	PART NO.	DESCRIPTION	QTY	ITEM	PART NO.	DESCRIPTION	QTY
1	9.802-969.0	Box, Electrical	1	35	9.802-151.0	Swivel, 1/2" JIC Fem, Push-On (667.0, 668.0, 672.0, 673.0)	2
2	9.802-981.0	Panel, Front	1		9.802-152.0	Swivel, 3/4" SAE Fem, Push-On	2
3	8.912-583.0	Cover, E-Box Access	1	36	9.802-259.0	Hose, 1/2", Push-On (667.0, 668.0, 672.0, 673.0)	36"
4	9.800-012.0	Label, Warning	1		9.802-261.0	Hose, 3/4", Push-On	36"
6	9.802-754.0	Screw, 1/4" x 1/2" HH NC, Whiz Loc (667.0, 668.0, 672.0, 673.0)	32 30	37	8.750-299.0	Unloader, VRT 3, 8 GPM @ 4500 PSI	1
8	9.802-987.0	Brace, Panel	1		9.802-362.0	Unloader, 8 GPM @3650 PSI UB8 with switch (Autostart/ Stop)	1
9	9.803-130.0	Platform, Motor 3/16"	1	38	9.802-133.0	Elbow, 1/2" JIC x 3/8", 45°	1
10	9.803-131.0	Rail, Pump or Generator Combo	1	39	8.706-207.0	Elbow, 3/8", Street (Steam Option)	1
11	9.802-789.0	Nut, 3/8" Hex, NC	3	40	8.706-297.0	Bushing, 3/8" x 1/4" Steel (Steam Option)	1
12	9.802-807.0	Washer, 3/8" SAE, Flat	22	41	9.802-241.0	Hose, 3/8" x 25", 2 Wire, Pressure Loop	1
13	9.802-779.0	Nut, 3/8", ESNA, NC	14	42	9.802-039.0	Elbow, 1/2" JIC, 3/8", 90°	1
14	9.802-811.0	Washer, 3/8" x 1-1/2", Fender, SAE	14	43		Motor, See Specifications Pages	
15	9.802-735.0	Bolt, 3/8" x 5-1/2", Tap	2	44	9.802-427.0	Cord, Electric, 12/3 SOWA (667.0)	111"
16	9.802-792.0	▲ Nut, Cage, 3/8" x 12 Gauge	8		9.802-436.0	Cord, Service, SEO, 10/3 Coleman (668.0)	111"
17		Bushing, See Specifications Pages			9.802-425.0	Cord, Service, SO, 8/3 Coleman (669.0, 672.0)	111"
18		Bushing, See Specifications Pages			9.802-437.0	Cord, Service, SEO 10/4 (670.0, 673.0)	111"
19		Pulley, See Specifications Pages			9.802-426.0	Cord, Service, 8/4 (674.0)	111"
20		Pulley, See Specifications Pages			9.802-429.0	Cord, Service, 12/4 (671.0, 675.0, 676.0)	111"
21		Belt, See Specifications Pages		45	9.802-985.0	Panel, Side, Left	1
22		Pump, See Specifications Pages		46	9.802-984.0	Panel, Top	1
23	9.802-632.0	Cap, Valve, w/1/4" Gauge Port, All Except 667	1	47	9.800-030.0	Label, Operating Instructions	1
24	8.707-256.0	Pump Protector, 1/2"	1	48	9.802-978.0	Panel, Rear	1
25	9.802-458.0	Switch, Pressure N/O, 1/4" NPT SS	1	49	9.802-105.0	Plug, Plastic, 7/8"	1
26	8.706-860.0	Tee, 1/2" Street (669.0, 670.0, 671.0)	2 3	50	9.802-794.0	Nut, Cage, 1/4" x 12 Gauge (669.0, 670.0, 671.0, 674.0, 675.0, 676.0)	40 38
27	8.706-915.0	Bushing, Reducer, 1/2" x 1/4"	1				
28	8.706-958.0	Hose Barb, 1/4" Barb x 1/4" Pipe, 90° (Steam Option)	1 2	51	9.802-484.0	Box, Junction 3 Hole, 3/4"	1
29	8.709-069.0	Clamp, Screw, #4	3	52	9.802-131.0	Elbow, 1/2" JIC x 1/2", 90°	1
30	8.706-854.0	Tee, 1/4" Branch Male (Steam Option)	1	53	9.802-483.0	Cover Plate, Junction Box, 2" x 4"	1
32	9.802-036.0	Nipple, 1/2" JIC, 3/8" Pipe	1		9.800-040.0	▲ Ground Label	1
33	9.802-048.0	Swivel, 1/2" JIC Female, 3/8" Male	1	55	9.802-257.0	Inlet Hose, 30", Water Supply	1
34	9.802-134.0	Tee, 1/2" x 1/2" JIC 51# (667.0, 668.0, 672.0, 673.0)	1	56	9.802-258.0	Inlet Hose, 45", Water Supply	1

EXPLODED VIEW PARTS LIST

ITEM	PART NO.	DESCRIPTION	QTY	ITEM	PART NO.	DESCRIPTION	QTY
57	9.802-043.0	Elbow, 1/2" JIC x 1/2" Female, 90°	1	90	9.802-779.0	Nut, 3/8" ESNA (667.0) (668.0, 669.0, 670.0, 671.0, 672.0, 673.0, 674.0, 675.0, 676.0)	6
58	9.802-128.0	Nipple, 1/2" JIC, 1/2" MPT Pipe (667.0, 671.0) (672.0, 673.0)	2 1		9.802-776.0	Nut, 5/16" ESNA (667.0)	8 4
59	9.802-146.0	Swivel, 1/2" MP x 3/4" GHF, w/Strainer	1	91	9.802-720.0	Bolt, 3/8" (667.0) (669.0, 670.0, 671.0, 674.0, 675.0)	4 5
60	9.800-020.0	Label, Cold Water Inlet	1		8.718-618.0	(668.0, 672.0, 673.0) Bolt, 5/16" (667.0)	8 4
61	8.706-984.0	Adapter, 1/2" x 1/2" Pipe	1	92	9.800-016.0	Label, Disconnect Power Supply	1
62	9.802-067.0	Bumper Pad, Engine	18	93	9.802-741.0	Bolt, 8mm x 16mm Hex Head	4
63	9.802-066.0	Pad, Soft Rubber, 50 DURO	6	94	9.802-813.0	Washer, 5/16" Lock Split Ring	4
64	9.802-977.0	Assy, Frame	1	95	8.718-980.0	Washer, 5/16" Flat	4
65	9.802-171.0	Nipple, 3/8" MPT x 3/8" NPT, Male	1	96	8.719-940.0	Retainer Ring, Insulation	1
66	9.802-041.0	Elbow, 3/8" Steel, Street, 45°	1	97	9.802-807.0	Washer, 3/8" (667.0) (668.9, 669.0, 670.0, 671.0, 672.0, 673.0, 674.0, 675.0, 676.0)	12 16
67	9.149-003.0	Discharge Manifold	1		8.718-980.0	Washer, 5/16" (667.0)	8
68	8.902-433.0	Valve, Safety Relief USA	1	98	9.802-520.0	▲ Strain Relief, 3/4" (668.0)	1
69	8.706-248.0	Plug 3/8"	1		9.802-522.0	▲ Strain Relief, 1" (669.0, 670.0, 671.0, 672.0, 673.0, 674.0, 675.0, 676.0)	1
70	8.750-094.0	Thermostat, 302°F	1	99	9.802-132.0	Elbow, 3/4" JIC x 1/2" MPT (669.0, 670.0, 671.0, 674.0, 675.0, 676.0)	1
71	9.196-012.0	Screw 10/24" x 1/4	1	100	9.802-131.0	Elbow, 1/2 JIC x 1/2 MPT (667.0, 668.0, 672.0, 673.0)	1
72	8.711-785.0	Hose, 3/8" Push-On	40"		9.802-132.0	Elbow, 3/4" JIC x 1/2" MPT (669.0, 670.0, 671.0, 674.0, 675.0, 676.0)	1
73	9.802-976.0	Top, Burner Wrap, 20"	1	101	9.800-020.0	Label, Cold Water Inlet	1
74	9.800-006.0	Label, Hot/Caliente w/Arrows Warning	2	102	9.802-753.0	Screw, 1/2" x 3/4" HH NC Whiz Loc	12
75	8.930-140.0	Insulation, Tank Head, 20", 10" Opening	1	103	9.800-028.0	Label, Pilot Light Hole	1
76	9.802-825.0	Clip, Retaining, U-Type	4	104	8.932-962.0	Label, Burner Instructions	1
77	9.803-135.0	Coil, Dura, 20" Diameter, SCH. 80	1	105	9.800-031.0	Label, Pilot Light Warning	1
78	8.917-568.0	Wrap, Outer Assy, 20" Coil	1	106	9.802-727.0	Bolt, 3/8" x 1-1/34" Tap (669.0, 670.0, 671.0, 674.0, 675.0, 676.0)	3
79	9.802-720.0	Bolt, 3/8" x 1", NC HH	8	107	8.930-335.0	Cover, Outer Heat Shield (669.0, 670.0, 671.0, 674.0, 675.0, 676.0)	1
80	9.802-989.0	Cover, Control Panel, Black	1	108	8.930-190.0	Shield, Heat, NG (669.0, 670.0, 671.0, 674.0, 675.0, 676.0)	1
81	8.900-904.0	Label, Control Panel, Logo	1				
	8.900-905.0	Label, Control Panel, Remote Logo	1				
82	9.802-986.0	Panel, Side, Right	1				
83	9.802-231.0	Hose, 1/4" x 36", 2 Wire, Gauge Hose (Steam Option)	1				
84	9.802-793.0	Nut, Cage, 1/4" x 16 Gauge	4				
85	9.802-037.0	Nipple, 1/2" JIC, 3/8" Female	1				
86	9.800-021.0	Label, Hot Water Outlet	1				
87	9.802-104.0	Bushing, 1" Snap	3				
88	9.802-068.0	Plug, Rubber	3				
89	9.802-065.0	Grommet, 1-5/16" Rubber	1				

▲ Not Shown

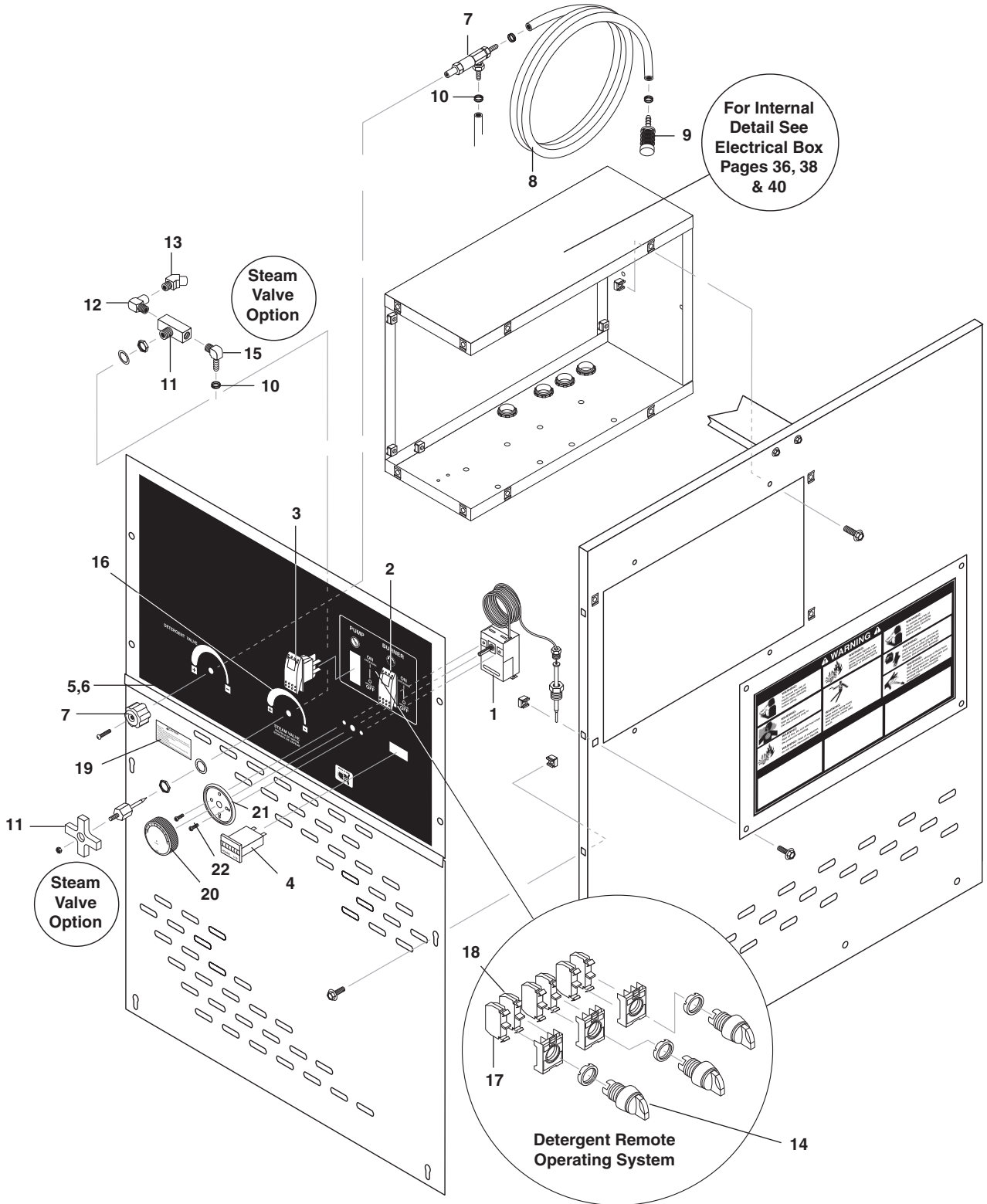
BURNER ASSEMBLY



BURNER ASSEMBLY PARTS LIST

ITEM	PART NO.	DESCRIPTION	QTY	ITEM	PART NO.	DESCRIPTION	QTY
1	8.710-216.0	Jet, Orifice, #54, (Natural Gas, 3.5 & 3.9)	44	23	9.802-911.0	Tubing, Aluminum, 600/RI, 1/4" Dead Soft (Elec.) (Millivolt)	36" 25"
	8.717-377.0	Jet, Orifice, #63, (Propane)	44	24	9.803-615.0	Valve, Gas VS820A (Millivolt)	1
	8.710-215.0	Jet, Orifice, #52, (Natural Gas, 4.8 & 5.0)	44		9.803-616.0	Valve, Gas VR8304 (Electronic Ignition)	1
2	8.718.055.0	Burner Ring Assy, X 44 w/ #54 Jets, (Natural Gas, 3.5 & 3.9)	1	25	9.802-178.0	Valve, Ball, 1/4" Female x 1/4" Female, UL #12	1
	8.718-060.0	Burner Ring, Assy, X 44 w/ #63 Jets, (Propane)	1	26	9.802-159.0	Connector, 1/4" Tube x 1/4" MPT (Millivolt) (Electric Ignition)	2 1
	8.725-894.0	Burner Ring Assy, X 44 w/ #52 Jets, (Natural Gas, 4.8 & 5.0)	1	27	8.719-957.0	Splash Guard	1
3	8.706-108.0	Nipple, 3/4" x 3 -1/2", Black Pipe	1	28	9.802-718.0	U-Bolt, 5/16" x 1", Pipe	1
4	8.706-087.0	Nipple, 3/4" x 4", Black Pipe	1	29	9.800-031.0	Label, Pilot Light Warning	1
5	9.802-027.0	Elbow, 3/4", Black, 90°	4	30	8.905-681.0	Ignition Cable 60" (Electric Ignition)	1
6	8.706-109.0	Nipple, 3/4" x 7", Black Pipe	1	31	8.932-964.0	Label, Natural Gas	1
7	9.802-019.0	Nipple, 3/4" x 2", Black	2	32	9.803-516.0	Nipple, 3/4" x 5" Black Pipe	2
8	9.802-049.0	Union, 3/4", Black Pipe	1	33	9.802-802.0	Washer, 1/4", Flat	2
9	9.802-017.0	Nipple, 3/4" x Close, Black	1	34	8.718-582.0	Bolt, 1/4" x 1/2", NC, HH	2
10	9.802-971.0	Nipple, 1" NPT x 15", Black, SCH. 40	2	35	9.803-563.0	Connector, 1/4" Tube x 1/8" MPT (Elec. Ign.)	1
11	9.802-028.0	Elbow, 1" x 3/4", Reducing, Black	1	36	8.706-910.0	Bushing, 1/4" x 1/8", Pipe	1
12	9.802-026.0	Elbow, 1", Black, 90°	1	37	9.802-582.0	Ignition Cable 60" (Electric Ignition)	1
13	9.802-014.0	Nipple, 1/2" x 3", Galvanized SCH. 80	1	38	9.802-807.0	Washer, 3/8", Flat	4
14	9.803-132.0	PHW/VNG Insulation Retainer Plate	1	39	9.802-781.0	Nut , 3/8", NC, Whiz-loc	1
15	9.802-798.0	Screw, #10 x 1/2", TEK	4	40	9.802-769.0	Bolt , 3/8" x 1-3/4" NC, Whiz-loc	1
16	9.802-975.0	Cover, Burner Access, 20" Coil	1	41	9.802-683.0	NUT, 18mm X 1.5mm BLK	1
17	9.802-764.0	Screw, 10/32" x 3/4", Hex Wash SL Mach/Blk	2	42	9.802-679.0	Washer, Panel Adapter, Piezo 1244-26	1
18	9.800-028.0	Label, Pilot Light Hole	1	43	9.802-682.0	Tab, GND	1
19	9.802-791.0	Nut, Cage, 10/32" x 16 Gauge	2	44	9.802-681.0	Wire, 15" Assembly	1
20	9.802-678.0	Ignitor, Piezo #1244-42	1	45	8.932-962.0	Label, Burner Instructions	1
21	9.802-772.0	Screw, 10/32 x 1/4	2	46	9.800-006.0	Label, Hot/Calente	2
22	9.803-617.0	Pilot, Natural Gas Pilot A3-S, #77623 (Millivolt)	1				
	9.803-610.0	Pilot, Ignitor (Electric Ignition)	1				
	9.803-611.0	Thermopile, 47"	1				

CONTROL PANEL EXPLODED VIEW

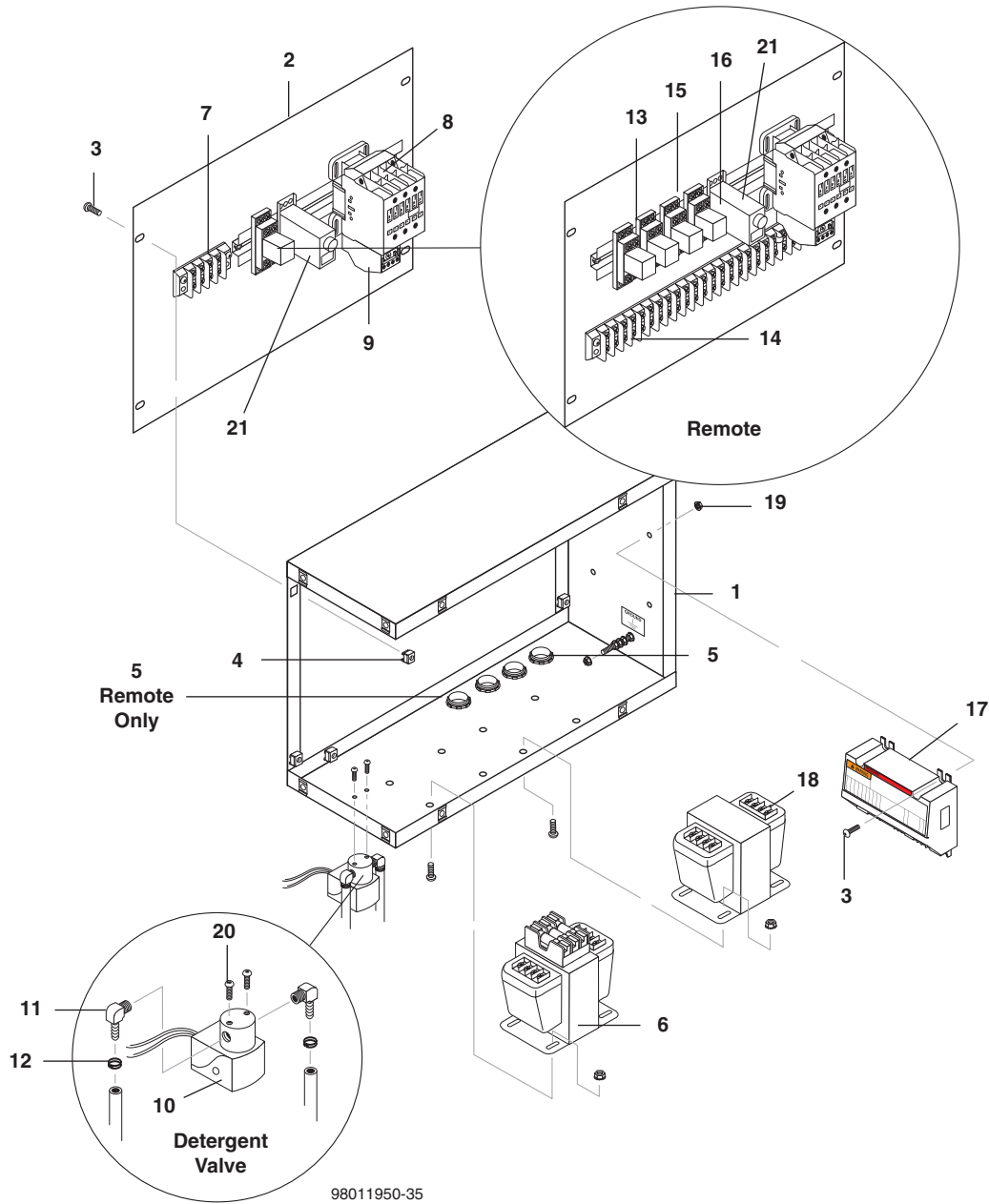


98011950-33

CONTROL PANEL PARTS LIST

ITEM	PART NO.	DESCRIPTION	QTY
1	8.750-094.0	Thermostat, Adjustable 302°F	1
2	9.802-451.0	Switch, Rocker, Carling w/ Green Lens	2
3	9.802-452.0	Switch, Rocker, Carling Red Actuator (Time Delay)	1
4	9.802-283.0	Hour Meter	1
5	9.802-064.0	Grommet, Rubber, Nozzle Holder	4
6	Nozzle (See Hose and Spray Gun Assembly)		1
7	9.802-188.0	Valve, Metering, 1/4" Hose	1
8	9.802-251.0	Tube, 1/4" x 1/2", Clear Vinyl	10 ft.
9	8.707-058.0	Strainer, 1/4" w/Check Valve	1
10	6.390-126.0	Clamp, Hose, .46 - .54	3
11	9.802-187.0	Valve, Flow Control/Metering (Steam Option)	1
12	8.706-200.0	Elbow, 1/4" Street, (Steam Option)	1
13	9.802-031.0	Elbow, 45°, 1/4" Street (Steam Option)	1
14	8.751-914.0	Switch, Selector	3
15	8.706-958.0	Hose Barb, 1/4" Barb x 1/4" Pipe, 90° (Steam Option)	1
16	9.800-029.0	Label, Steam Valve (Steam Option)	3
17	8.751-912.0	Block, Contact, N/C	3
18	8.751-913.0	Block, Contact, N/O	3
19	9.800-049.0	Label, Manufacturer's Cleaning Solution	1
20	8.750-096.0	Knob, Thermostat 302° F	1
21	8.712-190.0	Bezel, Plastic	1
22	8.718-779.0	Screws, 4mm x 6mm	2

TIME DELAY ELECTRICAL BOX EXPLODED VIEW

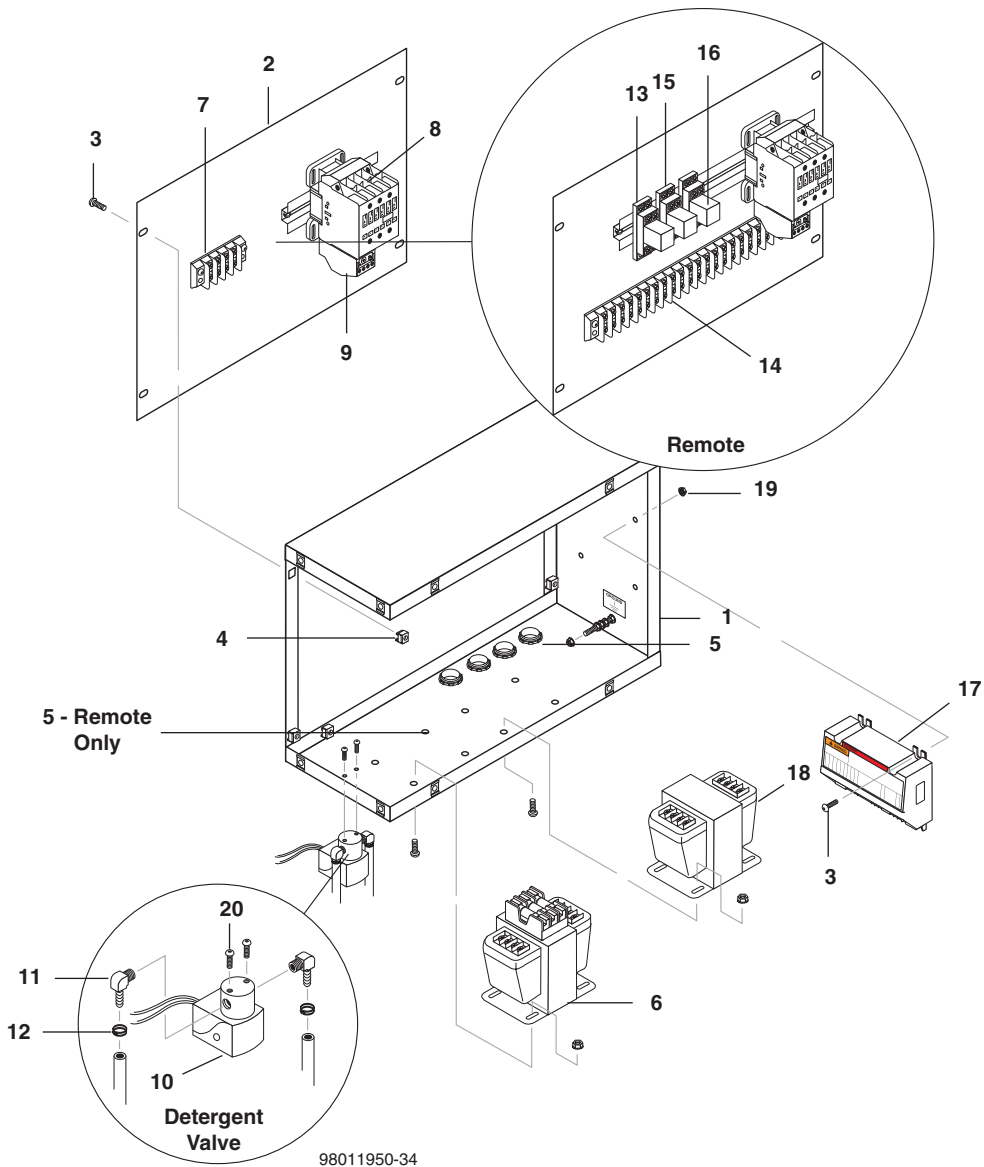


TIME DELAY ELECTRICAL BOX PARTS LIST

ITEM	PART NO.	DESCRIPTION	QTY
1	9.802-969.0	Box, Electrical	1
2	9.802-970.0	Panel, Electrical Box Side	1
	9.800-040.0	▲ Ground Label	1
3	9.802-759.0	Screw, 10/32" x 1/2" BHSOC Black	20
4	9.802-791.0	Nut, Cage, 10/32" x 16 Gauge	4
5	9.802-520.0	Strain Relief, 3/4" (Remote Option)	3 1
6	Fuses, See Specifications Pages		
7	9.802-491.0	Block, Terminal, 4 Pole	1
8	Contactor, See Specifications Pages		
9	Overload, See Specifications Pages		
10	9.802-532.0	Valve, Deter. Less Solenoid (Remote)	1
	9.802-533.0	Solenoid Coil, 120V (Remote)	1
11	8.706-955.0	Hose Barb, 1/4" Barb x 1/4" Pipe, 90° (Remote)	2
12	8.709-069.0	Clamp, Screw, #4 (Remote)	2
13	9.802-457.0	Din Rail, 35 mm (Remote)	4" 8"
14	9.802-493.0	Block Terminal, 16 Pole (Remote)	1
15	9.802-467.0	Base, Relay, SH2B-05, IDEC (Remote)	3
16	9.802-468.0	Relay, 120V, RH2B-UL-AC120 (Remote)	3
17	9.803-613.0	Ignition, Electronic Control	1
18	9.802-553.0	Transformer, Micron, 120/240V-24V, . 050 KVA, Electronic Ignition	1
19	9.802-695.0	Nut, 10/32", Keps	17
20	9.802-772.0	Screw 10/32" x 1/4" (Remote)	2
21	8.751-306.0	Timer, Multi-Function 24V-120V/240V 5A	1

▲ Not Shown

STANDARD ELECTRICAL BOX EXPLODED VIEW & PARTS LIST

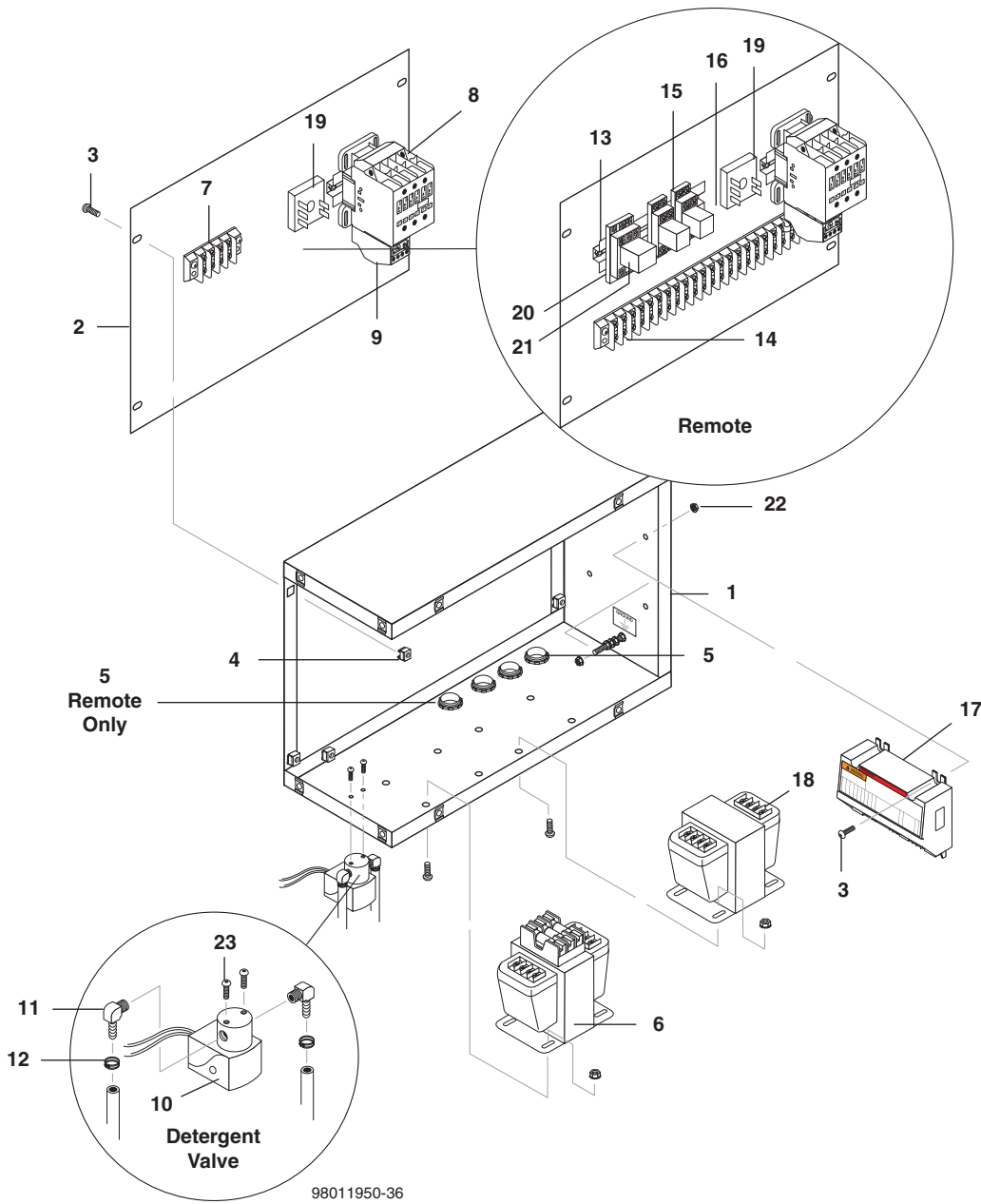


STANDARD ELECTRICAL BOX PARTS LIST

ITEM	PART NO.	DESCRIPTION	QTY
1	9.802-969.0	Box, Electrical	1
2	9.802-970.0	Panel, Electrical Box Side	1
	9.800-040.0	▲ Ground Label	1
3	9.802-759.0	Screw, 10/32" x 1/2" BHSOC Black	16
4	9.802-791.0	Nut, Cage, 10/32" x 16 Gauge	4
5	9.802-520.0	Strain Relief, 3/4" (Remote Option)	3 1
6	Fuse, See Specifications Pages		
7	9.802-491.0	Block, Terminal, 4 Pole	1
8	Contactor, See Specifications Pages		
9	Overload, See Specifications Pages		
10	9.802-532.0	Valve, Detergent Less Solenoid (Remote)	1
	9.802-533.0	Solenoid Coil, 120V (Remote)	1
11	8.706-958.0	Hose Barb, 1/4" Barb x 1/4" Pipe, 90° (Remote)	2
12	8.709-069.0	Clamp, Screw, #4 (Remote)	2
13	9.802-457.0	Din Rail, 35 mm (Remote)	4" 8"
14	9.802-493.0	Block Terminal, 16 Pole (Remote)	1
15	9.802-467.0	Base, Relay, SH2B-05, IDEC (Remote)	3
16	9.802-468.0	Relay, 120V, RH2B-UL-AC120 (Remote)	3
17	9.803-613.0	Ignition, Electronic Control	1
18	9.802-553.0	Transformer, Micron, 120/240V-24V,.050KVA, Electronic Ignition	1
19	9.802-695.0	Nut, 10/32", Keps	17
20	9.802-772.0	Screw 10/32" x 1/4" (Remote)	2

▲ Not Shown

AUTO START ELECTRICAL BOX EXPLODED VIEW

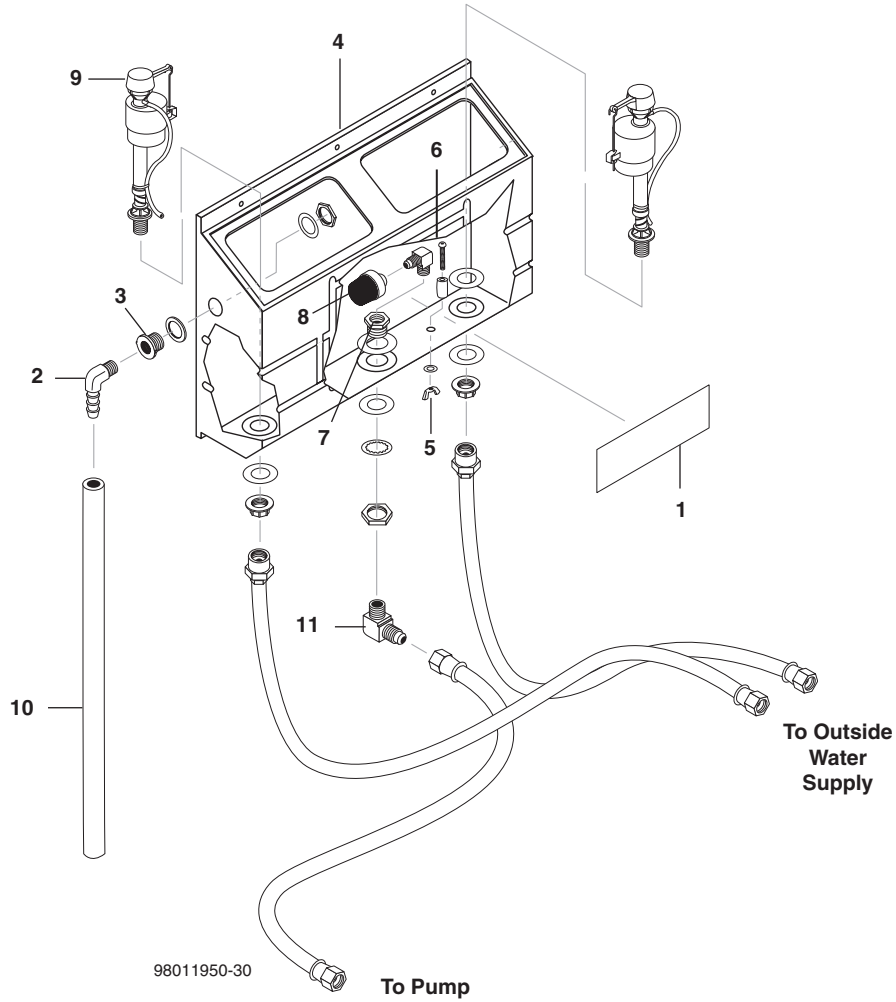


AUTO START ELECTRICAL BOX PARTS LIST

ITEM	PART NO.	DESCRIPTION	QTY
1	9.802-969.0	Box, Electrical	1
2	9.802-970.0	Panel, Electrical Box Side	1
	9.800-040.0	▲ Label, Ground	1
3	9.802-759.0	Screw, 10/32" x 1/2" BHSOC Black	20
4	9.802-791.0	Nut, Cage, 10/32" x 16 Gauge	4
5	9.802-520.0	Strain Relief, 3/4" (Remote)	3 1
6	Fuses, See Specifications Pages		
7	9.802-491.0	Block, Terminal, 4 Pole	1
8	Contactor, See Specifications Pages		
9	Overload, See Specifications Pages		
10	9.802-532.0	Valve, Deter. Less Solenoid (Remote)	1
	9.802-533.0	Solenoid Coil, 120V (Remote)	1
11	8.706-955.0	Hose Barb, 1/4" Barb x 1/4" Pipe, 90° (Remote)	2
12	8.709-069.0	Clamp, Hose, UNI .46 - .54 (Remote)	2
13	9.802-457.0	Din Rail, 35 mm (Remote)	4" 8"
14	9.802-493.0	Block Terminal, 16 Pole (Remote)	1
15	9.802-467.0	Base, Relay, SH2B-05, IDEC (Remote)	2
16	9.802-468.0	Relay, 120V, RH2B-UL-AC120 (Remote)	2
17	9.803-613.0	Ignition, Electronic Control	1
18	9.802-553.0	Transformer, Micron, 120/240V-24V, .050 KVA Electronic Ignition	1
19	9.802-472.0	Timer, Solid State 120V, 5-60 Min. (Auto Start)	1
20	8.752-146.0	Relay, Socket, (Remote)	1
21	8.752-141.0	Relay, Latch, (Remote)	1
22	9.802-695.0	Nut, 10/32", Keps	17
23	9.802-772.0	Screw, 10/32" X 1/4"	2

▲ Not Shown

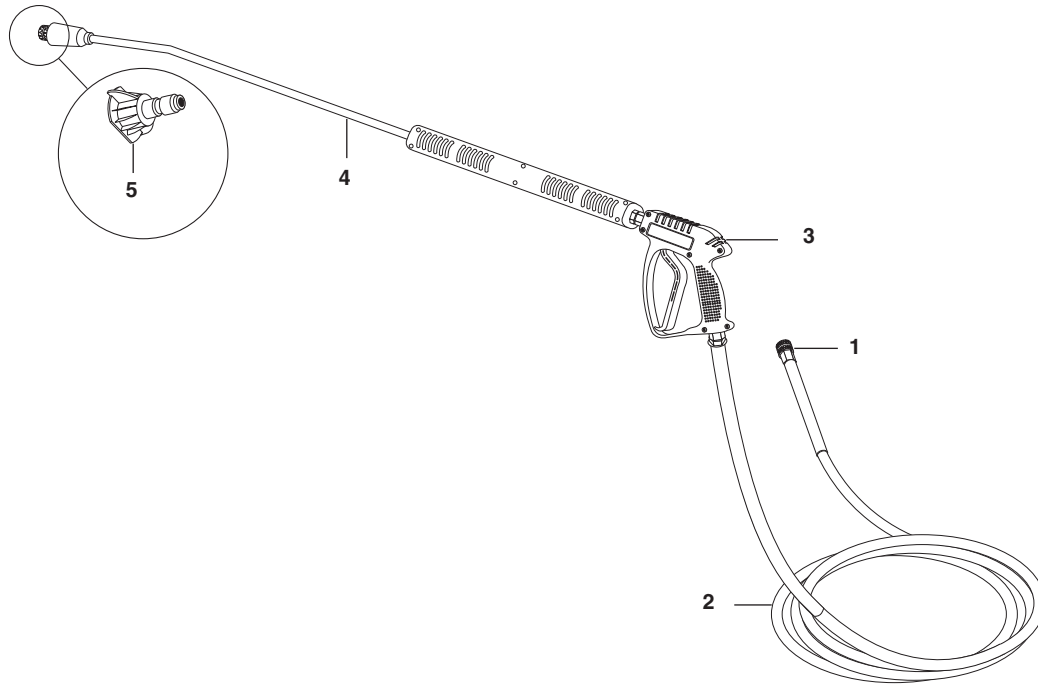
FLOAT TANK ASSEMBLY



FLOAT TANK PARTS LIST

ITEM	PART NO.	DESCRIPTION	QTY	ITEM	PART NO.	DESCRIPTION	QTY
1	8.932-985.0	Label, Stripe 17"	1	8	8.707-061.0	Strainer, 1/2" Basket	1
2	9.802-050.0	Adapter, 3/4" x 3/4" MT x Insert, 90°	1	9	9.802-185.0	Valve, Float Tank, Vertical	2
3	9.802-052.0	Bulkhead, 3/4" Polypropylene	1	10	9.802-261.0	Hose, 3/4" Push-On	24"
4	9.802-084.0	Tank, Plastic Universal Float	1	11	9.802-131.0	Elbow, 1/2" JIC x 1/2" (667.0, 668.0, 672.0, 673.0)	1
5	9.802-106.0	Plug, Float Tank	1		9.802-132.0	Elbow, 3/4" JIC x 1/2" MPT (669.0, 670.0, 671.0, 674.0, 675.0, 676.0)	1
6	9.802-131.0	Elbow, 1/2" JIC x 1/2", 90°	1				
7	8.707-000.0	Connector, 1/2" Anchor	1				

HOSE & SPRAY GUN ASSEMBLY



98011950-32

HOSE & SPRAY GUN PARTS LIST

ITEM	PART NO.	DESCRIPTION	QTY	ITEM	PART NO.	DESCRIPTION	QTY
1	9.802-166.0	Coupler, 3/8" Female	1	8.712-356.0	Nozzle, 4005, White (667.0)	1	
2	8.917-057.0	Hose 3/8" x 50', 1 Wire	1	8.712-369.0	Nozzle, 0007, Red (669.0, 670.0)	1	
3	8.710-384.0	Gun, ST-1500, 5000 PSI 10.4 GPM	1	8.712-370.0	Nozzle, 0507, Yellow (669.0, 670.0)	1	
4	9.803-805.0	Lance, Spray, Insulated	1	8.712-371.0	Nozzle, 2507, Green (669.0, 670.0)	1	
5	8.712-357.0	Nozzle, 0005.5, Red (668.0, 674.0, 675.0, 676.0)	1	8.712-372.0	Nozzle, 4007, White (669.0, 670.0)	1	
	8.712-358.0	Nozzle, 1505.5, Yellow (668.0, 674.0, 675.0, 676.0)	1	8.712-345.0	Nozzle, 0004, Red (672.0, 673.0)	1	
	8.712-359.0	Nozzle, 2505.5, Green (668.0, 674.0, 675.0, 676.0)	1	8.712-346.0	Nozzle, 1504, Yellow (672.0, 673.0)	1	
	8.712-360.0	Nozzle, 4005.5, White (668.0, 674.0, 675.0, 676.0)	1	8.712-347.0	Nozzle, 2504, Green (672.0, 673.0)	1	
	8.712-353.0	Nozzle, 0005, Red (667.0)	1	8.712-348.0	Nozzle, 4004, White (672.0, 673.0)	1	
	8.712-354.0	Nozzle, 1505, Yellow (667.0)	1				
	8.712-355.0	Nozzle, 2505, Green (667.0)	1				

SPECIFICATIONS

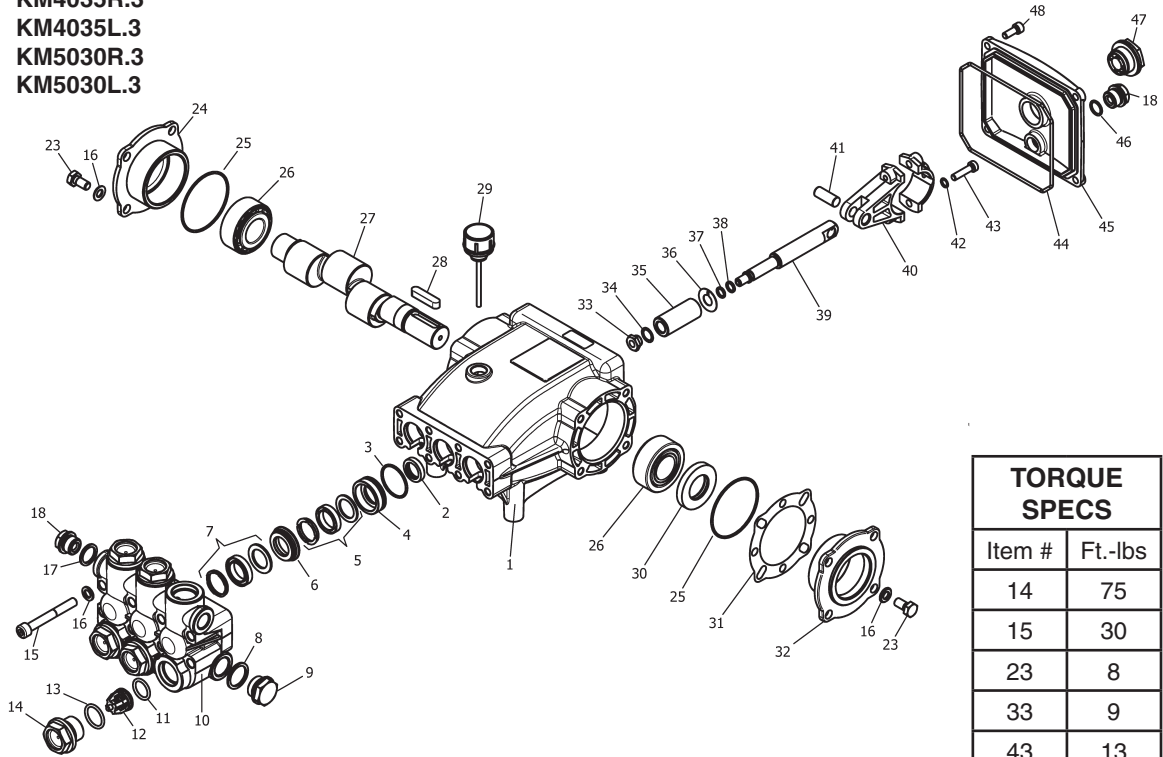
Model	PUMP						MOTOR					
	Pump Model	Pump #	Pulley	Pulley Description	Pump Bushing	Bushing Pt#	Motor Pt #	HP	Voltage/ Hertz	Motor Pulley	Pulley Pt #	Motor Bushing
1.109-667.0	KD4020	9.804-019.0	9.802-374.0	2AK74H	24MM	9.802-402.0	9.802-341.0	5	230v 1ph/60Hz	2AK30H	9.803-298.0	Hx3/4
1.109-668.0	KM4035	8.751-189.0	9.802-374.0	2AK74H	24MM	9.802-402.0	9.802-336.0	6	230v 1ph/60Hz	2AK54H	8.715-550.0	Hx1-1/8
1.109-669.0	KM5030	8.751-191.0	9.802-388.0	2BK67H	24MM	9.802-402.0	8.715-097.0	7.5	230v 1ph/60Hz	2BK60H	9.802-387.0	Hx1-3/8
1.109-670.0	KM5030	8.751-191.0	9.802-388.0	2BK67H	24MM	9.802-402.0	8.751-014.0	7.5	230V 3ph/60Hz	2BK57H	9.803-299.0	Hx1-3/8
1.109-671.0	KM5030	8.751-191.0	9.802-388.0	2BK67H	24MM	9.802-402.0	8.751-014.0	7.5	460V 3ph/60Hz	2BK57H	9.803-299.0	Hx1-3/8
1.109-672.0	KM4035	8.751-189.0	9.802-388.0	2BK67H	24MM	9.802-402.0	8.715-097.0	7.5	230v 1ph/60Hz	2BK45H	9.802-385.0	Hx1-3/8
1.109-673.0	KM4035	8.751-189.0	8.751-591.0	2BK70H	24MM	9.802-402.0	8.751-014.0	7.5	230V 3ph/60Hz	2BK45H	9.802-385.0	Hx1-3/8
1.109-674.0	KM5030	8.751-191.0	9.802-388.0	2BK67H	24MM	9.802-402.0	8.751-015.0	10	230V 3ph/60Hz	2BK55H	8.715-585.0	Hx1-3/8
1.109-675.0	KM5030	8.751-191.0	9.802-388.0	2BK67H	24MM	9.802-402.0	8.751-015.0	10	460V 3ph/60Hz	2BK55H	8.715-585.0	Hx1-3/8
1.109-676.0	KM5030	8.751-191.0	9.802-388.0	2BK67H	24MM	9.802-402.0	8.751-011.0	10	575V 3ph/60Hz	2BK55H	8.715-585.0	Hx1-3/8

SPECIFICATIONS

	MOTOR					CONTROLS				
	Bushing PT#	Belts Size(Qty.)	Belt Pt#	Motor Contactor	Motor Overload	Trans- former	Primary Fuse	Primary Fuse Pt#	Secondary Fuse	Secondary Fuse Pt#
667.0	9.802-398.0	AX36 (2)	9.802-408.0	8.724-276.0	N/A	9.802-552.0	1 AMP	8.933-007.0	8/10	9.802-464.0
668.0	9.802-400.0	AX36 (2)	9.802-408.0	8.724-276.0	N/A	9.802-552.0	1 AMP	8.933-007.0	8/10	9.802-464.0
669.0	9.802-401.0	BX36 (2)	8.715-697.0	8.724-281.0	8.724-306.0	9.802-552.0	1 AMP	8.933-007.0	8/10	9.802-464.0
670.0	9.802-401.0	BX36 (2)	8.715-697.0	8.724-272.0	8.724-305.0	9.802-552.0	1 AMP	8.933-007.0	8/10	9.802-464.0
671.0	9.802-401.0	BX36 (2)	8.715-697.0	8.724-268.0	8.724-312.0	9.802-552.0	1 AMP	8.933-007.0	8/10	9.802-464.0
672.0	9.802-401.0	BX34 (2)	8.715-695.0	8.724-276.0	8.724-306.0	9.802-552.0	1 AMP	8.933-007.0	8/10	9.802-464.0
673.0	9.802-401.0	BX34 (2)	8.715-695.0	8.724-272.0	8.724-305.0	9.802-552.0	1 AMP	8.933-007.0	8/10	9.802-464.0
674.0	9.802-401.0	BX36 (2)	8.715-697.0	8.724-281.0	8.724-305.0	9.802-552.0	1 AMP	8.933-007.0	8/10	9.802-464.0
675.0	9.802-401.0	BX36 (2)	8.715-697.0	8.724-272.0	8.724-304.0	9.802-552.0	1 AMP	8.933-007.0	8/10	9.802-464.0
676.0	9.802-401.0	BX36 (2)	8.715-697.0	8.724-272.0	8.724-312.0	9.803-668.0	1 AMP	8.933-007.0	8/10	9.802-464.0

KM.3 SERIES PUMP EXPLODED VIEW

- 8.751-186.0 KM3540R.3
- 8.751-187.0 KM4030R.3
- 8.751-188.0 KM4030L.3
- 8.751-189.0 KM4035R.3
- 8.751-190.0 KM4035L.3
- 8.751-191.0 KM5030R.3
- 8.751-192.0 KM5030L.3



TORQUE SPECS	
Item #	Ft.-lbs
14	75
15	30
23	8
33	9
43	13
48	7.6

KM.3 SERIES PUMP EXPLODED VIEW PARTS LIST

ITEM	PART NO.	DESCRIPTION	QTY	ITEM	PART NO.	DESCRIPTION	QTY
1	8.751-216.0	Crankcase	1	23	9.802-944.0	Screw, Hex, 8mm x18mm	8
2*	See Kits Below	Plunger Oil Seal	3	24	8.717-210.0	Closed Bearing Housing	1
3*	See Kits Below	O-Ring Ø1.78 x 31.47	3	25	9.803-192.0	O-Ring Ø1.78 x 60.05	2
4*	See Kits Below	Pressure Ring	3	26	8.933-011.0	Tapered Roller Bearing	2
5*	See Kits Below	U-Seal	3	27	8.751-222.0	Crankshaft (5030,3540)	1
6*	See Kits Below	Intermediate Ring	3		8.751-223.0	Crankshaft (4030, 4035)	1
7*	See Kits Below	U-Seal	3	28	9.803-167.0	Crankshaft Key	1
8	9.803-199.0	Washer, Copper	1	29	9.802-921.0	Oil Dip Stick	1
9	9.802-926.0	Plug, Brass 1/2	1	30	9.803-140.0	Crankshaft Seal	1
10	8.751-218.0	Manifold Head	1	31	9.803-178.0	Shim	2
11*	See Kits Below	O-Ring Ø2.62 x 17.13	6	32	8.717-209.0	Bearing Housing	1
12*	See Kits Below	Valve Assembly	6	33*	See Kits Below	Plunger Nut, M8	3
13*	See Kits Below	O-Ring Ø2.62 x 20.29	6	34*	See Kits Below	Copper Spacer	3
14	9.802-928.0	Valve Plug	6	35*	See Kits Below	Plunger (4035)	3
15	9.802-938.0	Manifold Stud Bolt	8		See Kits Below	Plunger (4030, 5030)	3
16	9.802-884.0	Washer	16		See Kits Below	Plunger (3540)	3
17	9.803-198.0	Copper Washer 3/8	1				
18	9.802-925.0	Brass Plug 3/8	1				

KM.3 SERIES PUMP EXPLODED VIEW PARTS LIST

ITEM	PART NO.	DESCRIPTION	QTY
36*	See Kits Below	Copper Spacer	3
37*	See Kits Below	O-Ring Ø1.78 x 7.66	3
38*	See Kits Below	Teflon Ring	3
39	8.751-224.0	Plunger Rod	3
40	9.803-158.0	Connecting Rod	3
41	8.751-228.0	Connecting Rod Pin	3
42	9.803-218.0	Spring Washer	6
43	9.803-238.0	Connecting Rod Screw	6
44	8.933-016.0	O-Ring, Ø2.62 x 126.67	1
45	8.751-229.0	Crankcase Cover	1
46	9.803-197.0	O-Ring, Ø1.78 x 14	1
47	9.803-202.0	Sight Glass 3/4	1
48	9.802-939.0	Cover Screw	5

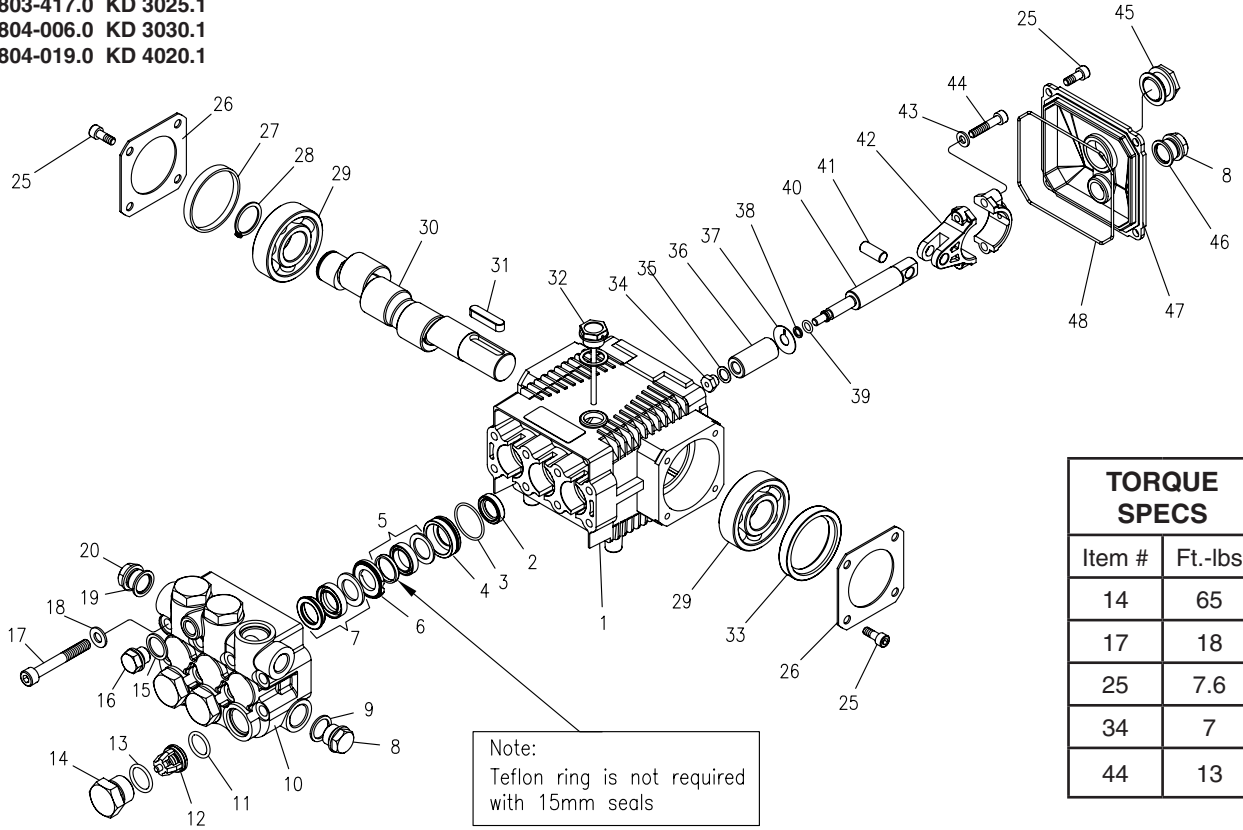
* Available in kit (See below)

REPAIR KIT NO.	8.725-360.0	8.725-362.0	8.725-358.0	8.725-361.0	8.725-363.0	8.725-359.0
KIT DESCRIPTION	Plunger Seal 4035 18mm	Plunger Seal 4030 5030 20mm	Plunger Seal 3540 15mm	Complete Seal Packing 4035 18mm	Complete Seal Packing 4030 5030 20mm	Complete Seal Packing 3540 15mm
ITEM NUMBERS INCLUDED	3, 5, 7	3, 5, 7	3, 5, 7	3, 4, 5, 6, 7	3, 4, 5, 6, 7	3, 4, 5, 6, 7
NO. OF CYLINDERS KIT WILL SERVICE	3	3	3	1	1	1

REPAIR KIT NO.	8.751-237.0	8.751-238.0	8.933-023.0	9.802-603.0	9.802-609.0
KIT DESCRIPTION	Plunger 4035 18mm	Plunger 4030 5030 20mm	Plunger 3540 15mm	Complete Valve	Plunger Oil Seals
ITEM NUMBERS INCLUDED	33, 34, 35, 36, 37, 38	33, 34, 35, 36, 37, 38	33, 34, 35, 36, 37, 38	11, 12, 13	2
NO. OF CYLINDERS KIT WILL SERVICE	1	1	1	6	3

KD.1 SERIES PUMP EXPLODED VIEW

9.803-417.0 KD 3025.1
 9.804-006.0 KD 3030.1
 9.804-019.0 KD 4020.1



KD.1 SERIES PUMP EXPLODED VIEW PARTS LIST

ITEM	PART NO.	DESCRIPTION	QTY	ITEM	PART NO.	DESCRIPTION	QTY
1	9.803-938.0	Crankcase	1	11*	See Kits	O-Ring Ø1.78 x 15.54	6
2*	See Kits	Plunger Oil Seal	3	12*	See Kits	Valve Assembly	6
3*	See Kits	O-Ring Ø1.78 x 28.30	3	13*	9.803-948.0	O-Ring Ø2.62 x 18.77	6
4*	See Kits	Pressure Ring 15mm (3030)	3	14	9.803-949.0	Valve Plug	6
	See Kits	Pressure Ring 18mm (4020, 3025)	3	15	9.803-950.0	Copper Washer 1/4	1
5*	See Kits	U-Seal, 15mm (3030)	3	16	9.803-951.0	Brass Plug G1/4	1
	See Kits	U-Seal, 18mm (4020, 3025)	3	17	9.803-952.0	Manifold Stud Bolt	8
6*	See Kits	Intermediate Ring 15mm (3030)	3	18	9.802-884.0	Washer	8
	See Kits	Intermediate 18mm (4020, 3025)	3	19	9.803-198.0	Copper Washer 3/8	1
7*	See Kits	Intermed. Ring 15mm (3030)	3	20	9.802-925.0	Brass Plug 3/8	2
	See Kits	Intermed. Ring 18mm (4020, 3025)	3	25	9.802-939.0	Screw	12
8	9.802-926.0	Brass Plug 1/2"	1	26	9.803-953.0	Bearing Cover	2
9	9.803-199.0	Copper Washer 1/2"	1	27	9.803-954.0	Bearing Seal	1
10	9.803-946.0	Manifold Housing	1	28	9.802-914.0	Snap Ring	1
				29	9.803-955.0	Ball Bearing	2
				30	9.803-956.0	Crankshaft	1
				31	9.803-167.0	Crankshaft Key	1
				32	9.803-957.0	Oil Dipstick	1

KD.1 SERIES PUMP PARTS LIST (CONT)

ITEM	PART NO.	DESCRIPTION	QTY
33	8.933-010.0	Crankshaft Seal	1
34*	See Kits	Plunger Nut	3
35*	See Kits	Copper Spacer	3
36*	See Kits	Plunger, 15mm (3030)	3
	See Kits	Plunger, 18mm (4020, 3025)	3
37*	See Kits	Copper Spacer	3
38*	See Kits	O-Ring Ø1.78 x 5.28	3
39*	See Kits	Teflon Ring	3
40*	See Kits	Plunger Rod	3
41	9.803-965.0	Connecting Rod Pin	3
42	9.803-966.0	Connecting Rod	3
43	9.803-218.0	Spring Washer	6
44	8.933-020.0	Connecting Rod Screw	6
45	9.803-202.0	Sight Glass	1
46	9.803-197.0	Gasket	1
47	9.803-968.0	Crankcase Cover	1
48	9.803-969.0	O-Ring Ø2.62 x 107.62	1

* Available in kit (See below)

REPAIR KIT NUMBER	8.725-354.0	8.725-356.0	8.725-355.0	8.725-357.0	9.803-934.0	9.803-935.0
KIT DESCRIPTION	Plunger Seal 15mm 3030	Plunger Seal 18mm 3025 4020	Complete Seal Packing, 15mm 3030	Complete Seal Packing, 18mm 3025 4020	Plunger 15mm 3030	Plunger 18mm 3025 4020
ITEM NUMBERS INCLUDED	3, 5, 7	3, 5, 7	3, 4, 5, 6, 7	3, 4, 5, 6, 7	34, 35, 36, 37, 38, 39, 40	34, 35, 36, 37, 38, 39, 40
NUMBER OF CYLINDERS KIT WILL SERVICE	3	3	1	1	1	1

REPAIR KIT NUMBER	9.803-936.0	9.803-937.0
KIT DESCRIPTION	Complete Valve	Plunger Oil Seals
ITEM NUMBERS IN- CLUDED	11, 12, 13	2
NUMBER OF CYLINDERS KIT WILL SERVICE	6	3