

EXPLODED VIEW PARTS LIST

ITEM	PART NO.	DESCRIPTION	QTY	ITEM	PART NO.	DESCRIPTION	QTY
1	90-2004	Nut, Jam, ESNA, NC, 5/8"	2	27	6-01060	Cord, w/GFCI, 120V/20 Amp, 36' (3-11024D)	1
2	90-4005	Washer, Flat, SAE, 5/8"	4		6-0105	Cord, Service 12/4 (353007C; 4-20024B,C; 402007B,C; 4-30024C; 503007C; 5-30024C)	15 ft.
3	4-0307	Tire & Wheel Cmpl, Steel 6" (All Models except 3-11024)	2		6-01059	Cord w/GFCI, 240V/30Amp 36' (402007A, 4-20024A)	1
	4-0303	Wheel & Tire Assembly, 4" Tube, (3-11024)	2		6-0109	Cord, Service, 10/4 (353007B; 4-30024B)	15 ft.
4	95-07101130	Handle, Bumper, 1-1/4", Chrome Plated	1		6-010690	GFCI, 240V, 40A, 1 PH, 37' Cord (353007A; 4-30024A)	1
5	90-4002	Washer, Flat, SAE, 3/8" (BT, PE3-11024)	28		6-01021	Cord, Service, 8/4 (503007B; 5-30024B)	15 ft.
		(All Other PE Models)	30	28	6-0108	Cord, Service, SEO, 10/3 (402007A; 4-20024A)	2.75 ft.
6	90-2002	Nut, ESNA, NC, 3/8" (BT, PE3-11024)	16		6-0104	Cord Service SEO, 12/3 (3-11024D)	2 ft.
		(All Other PE Models)	14		6-0105	Cord, Service, SEO, 12/4 (353007C; 402007B,C; 4-20024B,C; 4-30024C; 5-30024C; 503007C)	2.75 ft.
7	90-10220	Bolt, 3/8" x 3-1/2", Tap	2		6-0109	Cord, Service, SEO, 10/4 (353007B; 4-30024B)	2.75 ft.
8	8.719-905.0	Bracket, Belt Tension	1		6-0102	Cord, Service SEO 8/3 (353007A; 4-30024A)	4.66 ft.
9	90-1999	▲Screw, 10/32" x 3/4" (402007A, 4-20024A)	3		6-01021	Cord, Service SEO, 8/4 (5-30024B; 503007B)	2.75 ft.
10	95-07101219	Bracket, Foot, Black (PE)	1	29	6-051595	Fitting, STRT, LQ Tite, Plastic (353007B,C; 402007A,B,C; 4-20024A,B,C; 4-30024B,C; 5-30024C; 503007C)	2
	95-07101219R	Bracket, Foot, Red (BT)	1		6-05170	Strain Relief, Water Tight (5-30024B, 503007B)	2
11	92-102	Foot Assembly (Items 11-17)	2	30	2-0103	Grommet, Rubber, 1/8"	5
12a	90-1023	Bolt, 3/8" x 5", NC	2	31	4-12804000	Nozzle, SAQC MEG 0004 Red (4-30024; 353007)	1
12b	90-40125	Washer, 3/8" x 1", Steel	2		4-12804015	Nozzle, SAQC MEG 1504 Yellow (4-30024; 353007)	1
13	2-01041	Pad, Soft Rubber	2		4-12804025	Nozzle, SAQC MEG 2504 Green (4-30024; 353007)	1
14	90-4015	Washer, 2-1/2" x 7/16", Flat Washer	2		4-12804040	Nozzle, SAQC MEG 4004 White (4-30024; 353007)	1
15	95-07161114A	Tube, Foot, Bolt PC	2		4-12805500	Nozzle SAQC MEG 0005.5 Red (3-11024, 503007, 5-30024)	1
16	90-5009	Spring, Foot, Compression	2		4-12805515	Nozzle, SAQC MEG 15055 Yellow (3-11024, 503007, 5-30024)	1
17	2-0107	Bellows, Leg (Boot)	2		4-12805525	Nozzle, SAQC MEG 25055 Green (3-11024, 503007, 5-30024)	1
18	95-07101216	Frame, Black, Welded (PE3-11024D)	1		4-12805540	Nozzle, SAQC MEG 4055 White (3-11024, 503007, 5-30024)	1
	95-07101222	Frame, Large, Black, Welded (All Other PE Models)	1				
	95-07101222R	Frame, Large, Red (BT)	1				
19	11-0364	Label, BT	1				
	10-99060	Label, PE	1				
20	95-07101145	Handle, 1-1/4", Chrome	1				
21	6-05172	Locknut, 3/4"	2				
22	2-2007	Nipple, 3/4" x 3/8" Male	1				
23	95-07101021	Bracket, Electrical Box (All Models except 353007A, 4-30024A)	1				
	95-07101022	Bracket, Electrical Box (353007A, 4-30024A)	1				
24	10-08018	Label, Warning Service Cord	1				
25	2-0106	Cushion, Pump	2				
26	Unloader, See Specifications Pages						

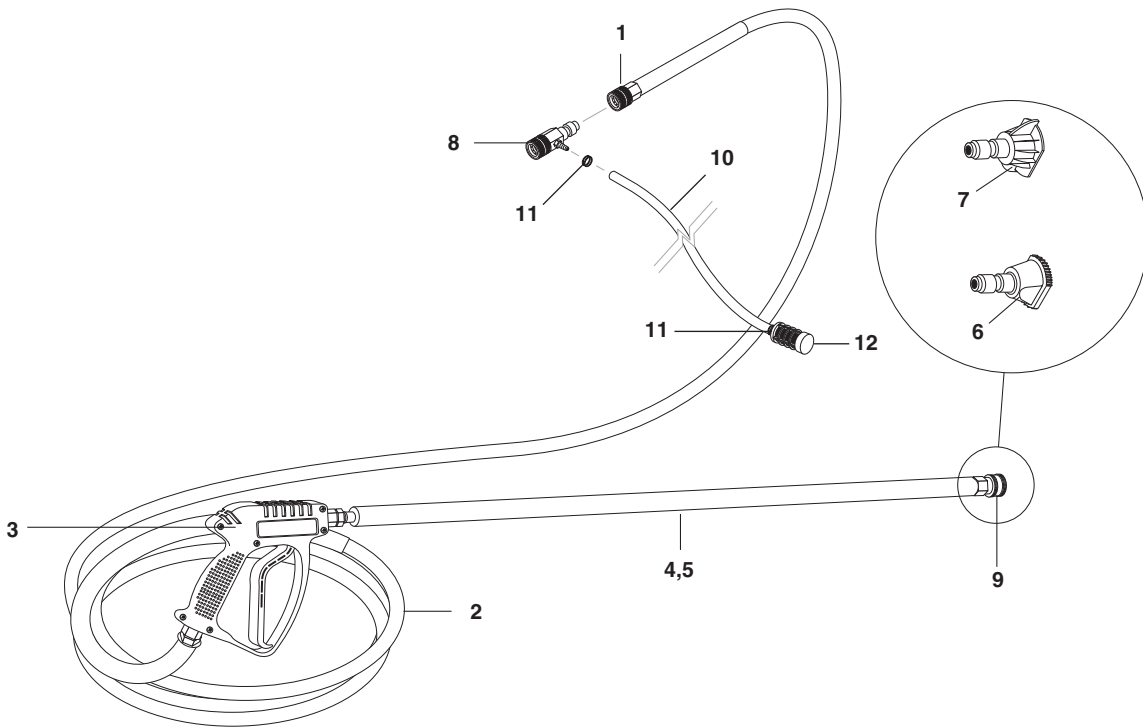
EXPLODED VIEW PARTS LIST

ITEM	PART NO.	DESCRIPTION	QTY	ITEM	PART NO.	DESCRIPTION	QTY	
31	4-12806000	Nozzle, SAQC MEG 0506 Red (4-20024, 402007)	1	52	95-07101211	Back Plate, Belt Guard, Large (All Models Except 3-11024)	1	
	4-12806015	Nozzle, SAQC MEG 1506 Yellow (4-20024, 402007)	1		95-07101213	Back Plate, Belt Guard, Small (3-11024)		1
	4-12806025	Nozzle, SAQC, Meg 2506 Green (4-20024, 402007)	1	53	2-01171	Belt Guard, Small (PE3-11024)	1	
	4-12806040	Nozzle, SAQC MEG 4006 White (4-20024, 402007)	1		2-01172	Belt Guard, Large (PE)		1
32	4-16540	Nozzle, Brass, Soap	1	2-0117201	Belt Guard, Large (BT)	1		
33	2-1902	Strainer, Inlet Garden Hose	1	54	90-1007	Bolt, 5/16" x 1" NC, HH	2	
34	2-10942	Swivel, 1/2" MP x 3/4" GHF	1	55	10-020PE	▲ Label, PE	1	
35	6-05154	Strain Relief, Plastic, LQ Tite (3-11024) 1	1	56	10-2031100	▲ Label, 3-1100	1	
	6-05181	▲ Locknut, 1/2" (3-11024)			10-2042000	▲ Label, 4-2000	1	
36	Overload, See Specifications Pages		1		10-2043000	▲ Label, 4-3000	1	
	Contactor, See Specifications Pages				10-2053000	▲ Label, 5-3000	1	
38	90-1991	Screw, 10/32" x 1/2" (3-11024D, 4-02007A, 402007A)	4	57	Pump, See Bushing Specifications Pages		1	
		(353007A, 4-30024A)	7	58	Motor, See Bushing Specifications Pages			
	39	90-017	(353007B,C; 402007B,C; 503007B,C; 4-20024B,C; 4-30024B,C; 5-30024B,C)	5	59	Motor, See Pulley Specifications Pages		1
			Nut, 10/32" Keps (4-20024A, 402007A; 353007B,C; 402007B,C; 503007B,C; 4-20024B,C; 4-30024B,C; 5-30024B,C)	6	60	Pump, See Pulley Specifications Pages		
(3-11024D)	7		61	Belt, See Specifications Pages		1		
(353007, 4-30024A)	10		62	6-03911	Lid, Plastic, Carlon (3-11024)		1	
40	2-300816	Pump Protector, 3/8", PTP (All Models Except 3-11024)	1	63	6-03904	Enclosure, Fiberglass, Nema 4X (except 3-11024, 35007A, 4-30024A)	1	
	2-300812	Pump Protector 1/4" 145° (3-11024)	1		6-03909	Box, Plastic 10" x 8" x 6" (353007, 4-30024A)		1
41	Pump, See Specifications Pages		1	64	10-08015A	Label, OFF/ON for Push Button (All Models Except 3-11024)	1	
42	Motor, See Specifications Pages			65	10-08021	Label, Disconnect Power Supply	1	
43	90-1007	Bolt, 5/16" x 1", NC HH (3-11021)	4	66	6-2021	Switch, Green Push Button, CH E22PB3 (All Models Except 3-11024)	1	
	90-1017	Bolt, 3/8" x 1-1/4", NC HH (All Models Except 3-11021)	4		67	6-2001		Block, Contact, N/O, CH E22B2 (All Models Except 3-11024)
44	90-4001	Washer, 5/16" Flat (3-11021)	4	68	6-2022	Switch, Red Push Button, CH E22EB2 (All Models Except 3-11024)	1	
	90-4002	Washer, 3/8" Flat (All Models Except 3-11021)	4		69	6-2000		Block, Contact, N/C, CH E22B1 (All Models Except 3-11024)
45	90-2001	Nut, 5/16" ESNA (3-11021)	4	70	6-021595	Din Rail (All Models Except 3-11024D)	4"	
	90-2002	Nut, 3/8" ESNA (All Models Except 3-11021)	4	71	6-03910	Box, Electric (3-11024 only)	1	
46	90-4001	Washer, 5/16" Flat	6	72	2-1044	Plug, Brass 1/8" (353007, 402007, 503007)	1	
47	90-2001	Nut, 5/16" ESNA, NC	3	73	6-051595	Strain Relief, STRT, LQ Tite Large, 3/4" (3-11024)	1	
48	90-1020	Bolt, 3/8" x 2", NC HH	8		6-05172	▲ Locknut, 3/4" (3-11024)		1
49	90-4000	Washer, 1/4" Flat, SAE	4	74	6-020204	Switch, 2 Pos., 1-3 PH (3-11024)	1	
50	90-2000	Nut, 1/4" ESNA, NC	2	75	90-1016	Bolt, 3/8" x 1", NC	4	
51	90-1006	Bolt, 5/16" x 3/4", NC HH	1					

EXPLODED VIEW PARTS LIST

ITEM	PART NO.	DESCRIPTION	QTY	ITEM	PART NO.	DESCRIPTION	QTY
76	90-2007	Nut, 3/8" Hex NC	2	95	6-051595	▲ Strain Relief, Watertite (3-11024D; 353007B,C; 4-20024A,B,C; 4-30024B,C; 402007A,B,C)	1
77	11-1042	Label, Ground	1	6-051700	▲ Strain Relief, 1" Metal (4-30024A, 5-30024C, 503007C, 353007A)	1	
78	2-1042	Tee, 1/2" (4-20024, 4-30024, 5-30024)	1	6-051701	Strain Relief, 1" (5-30024B, 503007B)	1	
79	4-02110000	Hose, 1/2" Push-On (4-20024, 4-30024, 5-30024)	1.3 ft.	96	6-05181B	▲ Lock Nut, 3/4" (3-11024D; 353007B,C; 4-20024A,B,C; 4-30024B,C; 402007A,B,C)	1
80	2-1105	Swivel, 1/2" JIC Fem, Push-On (4-20024, 4-30024, 5-30024)	2	6-05182	Locknut, 1" (353007A; 4-30024A; 503007B,C; 5-30024B,C)	1	
81	2-1062	Elbow, 1/2" JIC x 1/2", 90° (4-20024, 4-30024, 5-30024)	1	97	6-05170	Strain Relief, 3/4 Watertight (353007A, 4-30024A)	1
82	4-02047720	Hose, 3/8" x 20", 2 Wire, Pressure Loop (4-20024, 4-30024, 5-30024)	1	98	6-051595	Strain Relief, 3/4 Watertight Plastic (353007A, 4-30024A)	1
83	2-0053	Elbow, 1/2" JIC x 3/8", 90° (4-20024, 4-30024, 5-30024)	1	99	9.800-049.0	Label, Manufacturer's Cleaning Solution	1
84	2-0051	Nipple, 1/2" JIC x 3/8", Pipe (4-20024, 4-30024, 5-30024)	1	100	10-99055	Label (PE)	1
85	2-0006	Nipple, 3/8", Hex (4-20024, 4-30024, 5-30024)	1	11-0332	Label (BT)	1	
86	95-07101216/B	Block, Unloader, 3/8" x 3/8", Brass (4-20024, 4-30024, 5-30024)	1	101	95-07290068	Stand-Off Electrical Box (353007A, 4-30024A)	1
87	2-1060	Elbow, 1/2" x 3/8", 90° (4-20024, 4-30024, 5-30024)	1	102	90-1028	Eye Bolt, 1/4" x 1"	2
88	90-1020	Bolt, 3/8" x 2", NC HH (4-20024, 4-30024, 5-30024)	2	103	90-5004	Spring, Pull, Belt Guard	1
89	90-10343	Bolt, 10mm x 20mm, HH (All Models except 3-11024)	4	104	11-1042	▲ Label, Ground (Motor)	1
	90-1030	Bolt, 8mm x 16mm HH (3-11024)	4	105	4-011184	Chemical Injector Assy.	1
90	90-400910	Washer, 7/16" Lock, Split (All Models except 3-11024)	4	106	90-1994	Screw, 10/32" x 1-1/4" Ground (All Models Except 3-11024D)	1
	90-4009	Washer, 3/8", Lock, Split Ring (3-11024)	4	90-100030	Screw, 10/32" x 3/4" Ground (3-11024D)	1	
91	90-4007	Washer, 3/8" x 1-1/2", Fender (All Models Except 3-11024)	6	107	10-08016	Label, Indoor Use	1
	90-4006	Washer, 5/16" x 1-1/4" Fender (3-11024)	6	108	10-9999	Label, Clear Lexan	1
92	6-05172	▲ Locknut, 3/4" Conduit (353007A, 4-30024A)	2			▲ Not Shown	
93	95-07102382	Hanger, Hose & Wand	1				
94	90-20012	Nut, 5/16" Whiz Loc, Flange	2				

HOSE & SPRAY GUN ASSEMBLY



HOSE & SPRAY GUN ASSEMBLY PARTS LIST

ITEM	PART NO.	DESCRIPTION	QTY	ITEM	PART NO.	DESCRIPTION	QTY
1	2-2002	Coupler, 3/8" Female	1	6	4-16540	Brass Soap Nozzle	1
	2-0121	▲ Quick Coupler O-Ring Large	1		7		Nozzle, See Page 16, Item #31
2	8.739-072.0	Hose 3/8" x 50', 1-Wire, Tuff-Skin (PE Models)	1	8	3-12021	Injector, Chem, Non-Adj, 3-5 GPM	1
	8.739-148.0	Hose 3/8" x 50', 1-Wire, Blue, Tuff-Flex (BT Models)	1		9	2-2000	Coupler, 1/4" Female
3	4-01212	Spray Gun, Shut-off (PE Models)	1	2-0119		▲ Quick Coupler O-Ring Small	1
	4-01246	(BT Models)	1		10	4-02080000	Tube, 1/4" x 1/2" Clear Vinyl 6 ft.
4	4-0110410	Wand, Straight, Assy (PE Models)	1	11		2-9040	Clamp, Hose
	4-011053	Wand, SS (PE Models)	1		12	2-1904	Strainer, 1/4" Hose Barb
	4-0110322	Wand w/Side Grip, Assy (BT Models)	1	▲ Not Shown			
	4-011032	Wand w/Side Grip (BT Models)	1				
5	4-011231	Cover, Wand (PE Models)	1				

SPECIFICATIONS

PARTS SPECIFICATIONS

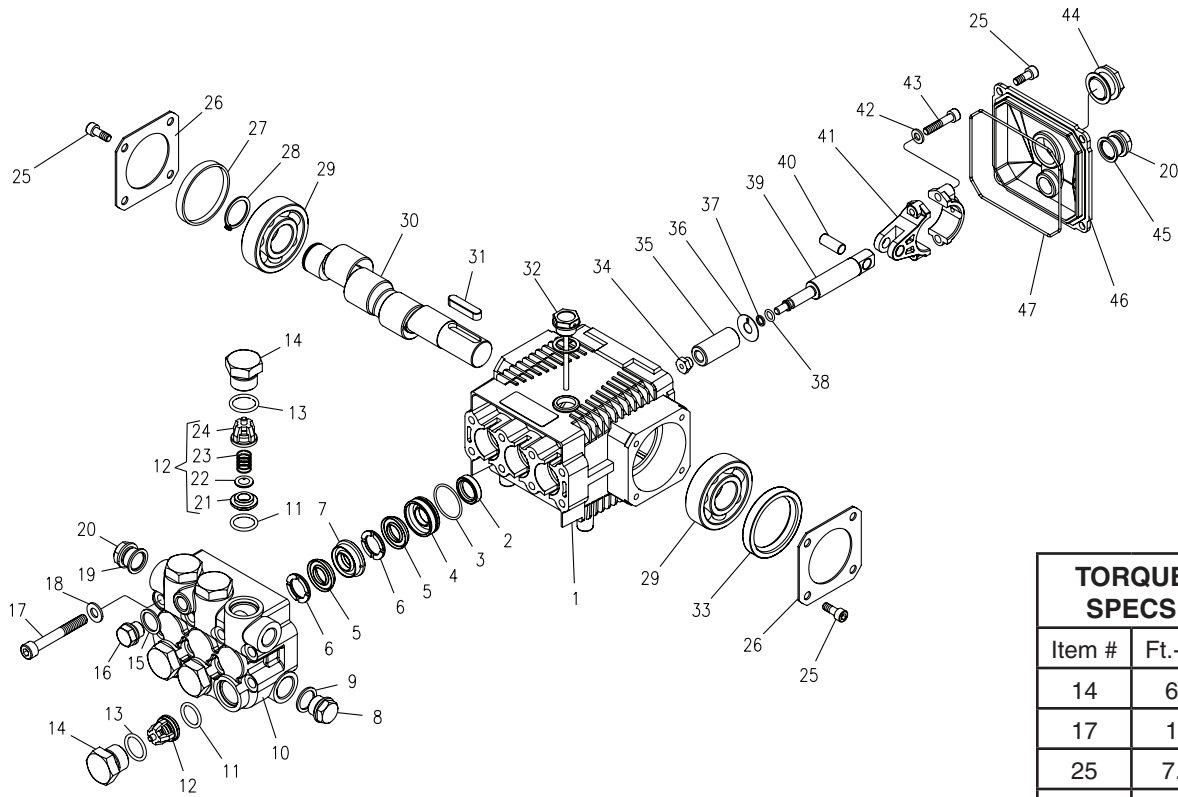
Model	PUMP						MOTOR			
	Pump	Pump Part No.	Unloader Part No.	Pump Pulley	Pump Pulley Part No.	Pump Bushing	Bushing Part No.	Motor Size	Motor Voltage/ph	Motor Hz
3-11024D	LD3030	5-1709	5-3329	AK74H	5-40107401	24MM	5-512024	2HP	120V/1PH	60
4-20024A	LT5030	5-1728	5-3208	2AK84H	5-40208401	25MM	5-512025	6.2HP	230V/1PH	60
4-20024B	LT5030	5-1728	5-3208	2AK84H	5-40208401	25MM	5-512025	6.2HP	230V/3PH	60
4-20024C	LT5030	5-1728	5-3208	2AK84H	5-40208401	25MM	5-512025	6.2HP	460V/3PH	60
4-30024A	LT5030	5-1728	5-3208	2BK90H	5-40509001	25MM	5-512025	7.5HP	230V/1PH	60
4-30024B	LT5030	5-1728	5-3208	2BK90H	5-40509001	25MM	5-512025	7.5HP	230V/3PH	60
4-30024C	LT5030	5-1728	5-3208	2BK90H	5-40509001	25MM	5-512025	7.5HP	460V/3PH	60
5-30024B	LT5030	5-1728	5-3208	2BK65H	5-40506501	25MM	5-512025	10HP	230V/3PH	60
5-30024C	LT5030	5-1728	5-3208	2BK65H	5-40506501	25MM	5-512025	10HP	460V/3PH	60
402007A	SM4030	5-1410	5-3330	2AK74H	5-40207401	24MM	5-512024	6.2HP	230V/1PH	60
402007B	SM4030	5-1410	5-3330	2AK74H	5-40207401	24MM	5-512024	6.2HP	230V/3PH	60
402007C	SM4030	5-1410	5-3330	2AK74H	5-40207401	24MM	5-512024	6.2HP	460V/3PH	60
353007A	SM4030	5-1410	5-3330	2BK70H	5-40507001	24MM	5-512024	7.5HP	230V/1PH	60
353007B	SM4030	5-1410	5-3330	2BK70H	5-40507001	24MM	5-512024	7.5HP	230V/3PH	60
353007C	SM4030	5-1410	5-3330	2BK70H	5-40507001	24MM	5-512024	7.5HP	460V/3PH	60
503007B	SM5030	5-1415	5-3330	2BK52H	5-40505201	24MM	5-512024	10HP	230V/3PH	60
503007C	SM5030	5-1415	5-3330	2BK52H	5-40505201	24MM	5-512024	10HP	460V/3PH	60

SPECIFICATIONS

MOTOR (CON'T)									
Model	Motor Model	Motor Pulley	Pulley Part No.	Motor Bushing	Bushing Part No.	Belt Size	Belt Part No.	Contactactor Part No.	Overload Part No.
3-11024D	5-1047	AK32X5/8"	5-40103258	N/A	N/A	AX35 (1)	5-602035	N/A	N/A
4-20024A	5-10401	2AK46H	5-40204601	HX1-1/8"	5-511113	AX42 (2)	5-602042	8.724-282.0	N/A
4-20024B	5-1011	2AK46H	5-40204601	HX1-1/8"	5-511113	AX42 (2)	5-602042	8.724-273.0	8.724-304.0
4-20024C	5-1011	2AK46H	5-40204601	HX1-1/8"	5-511113	AX42 (2)	5-602042	8.724-271.0	8.724-312.0
4-30024A	5-1013	2BK40H	5-40504001	HX1-3/8"	5-511138	BX42 (2)	5-604042	8.724-282.0	8.724-307.0
4-30024B	5-10145	2BK40H	5-40504001	HX1-3/8"	5-511138	BX42 (2)	5-604042	8.724-273.0	8.724-305.0
4-30024C	5-10145	2BK40H	5-40504001	HX1-3/8"	5-511138	BX42 (2)	5-604042	8.724-271.0	8.724-312.0
5-30024B	5-1018	2BK36H	5-40503601	HX1-3/8"	5-511138	BX38 (2)	5-604038	8.724-277.0	8.724-305.0
5-30024C	5-1018	2BK36H	5-40503601	HX1-3/8"	5-511138	BX38 (2)	5-604038	8.724-278.0	8.724-312.0
402007A	5-10401	2AK46H	5-40204601	HX1-1/8"	5-511113	AX40 (2)	5-602040	8.724-282.0	N/A
402007B	5-1011	2AK46H	5-40204601	HX1-1/8"	5-511113	AX41 (2)	5-602041	8.724-273.0	8.724-304.0
402007C	5-1011	2AK46H	5-40204601	HX1-1/8"	5-511113	AX41 (2)	5-602041	8.724-271.0	8.724-312.0
353007A	5-1013	2BK36H	5-40503601	HX1-3/8"	5-511138	BX37 (2)	5-604037	8.724-282.0	8.724-307.0
353007B	5-10145	2BK36H	5-40503601	HX1-3/8"	5-511138	BX37 (2)	5-604037	8.724-273.0	8.724-305.0
353007C	5-10145	2BK36H	5-40503601	HX1-3/8"	5-511138	BX37 (2)	5-604037	8.724-271.0	8.724-312.0
503007B	5-1018	2BK45H	5-40504501	HX1-3/8"	5-511138	BX36 (2)	5-604036	8.724-277.0	8.724-305.0
503007C	5-1018	2BK45H	5-40504501	HX1-3/8"	5-511138	BX36 (2)	5-604036	8.724-278.0	8.724-312.0

PUMP EXPLODED VIEW

5-1709



TORQUE SPECS	
Item #	Ft.-lbs
14	65
17	18
25	7.6
34	7
43	13

PUMP EXPLODED VIEW PARTS LIST

ITEM	PART NO.	DESCRIPTION	QTY	ITEM	PART NO.	DESCRIPTION	QTY
1	70-020292	Crankcase	1	16	70-160121	Brass Plug G1/4	1
2*	See Kits Below	Plunger Oil Seal	3	17	70-180118	Manifold Stud Bolt	8
3*	70-060181	O-Ring Ø1.78 x 28.30	3	18	70-140001	Washer	8
4*	70-120131	Pressure Ring 15mm	3	19	70-060306	Copper Washer 3/8	1
5*	See Kits Below	"V" Seal, 15mm	6	20	70-160117	Brass Plug 3/8	2
6*	70-030048	Support Ring 15mm	6	25	70-180112	Screw	12
7*	70-030049	Intermed. Ring 15mm	3	26	70-020318	Bearing Cover	2
8	70-160120	Brass Plug 1/2"	1	27	70-020502	Bearing Seal	1
9	70-060307	Copper Washer 1/2"	1	28	70-150003	Snap Ring	1
10	70-160228	Manifold Housing	1	29	70-021300	Ball Bearing	2
11*	70-060155	O-Ring Ø1.78 x 15.54	6	30	70-000605	Crankshaft	1
12*	See Kits Below	Valve Assembly	6	31	70-020604	Crankshaft Key	1
13*	70-060122	O-Ring Ø2.62 x 18.77	6	32	70-160012	Oil Dipstick	1
14	70-160147	Valve Plug	6	33	70-000110	Crankshaft Seal	1
15	70-060308	Copper Washer 1/4	1	34*	70-030211	Plunger Nut	3

PUMP EXPLODED VIEW PARTS LIST

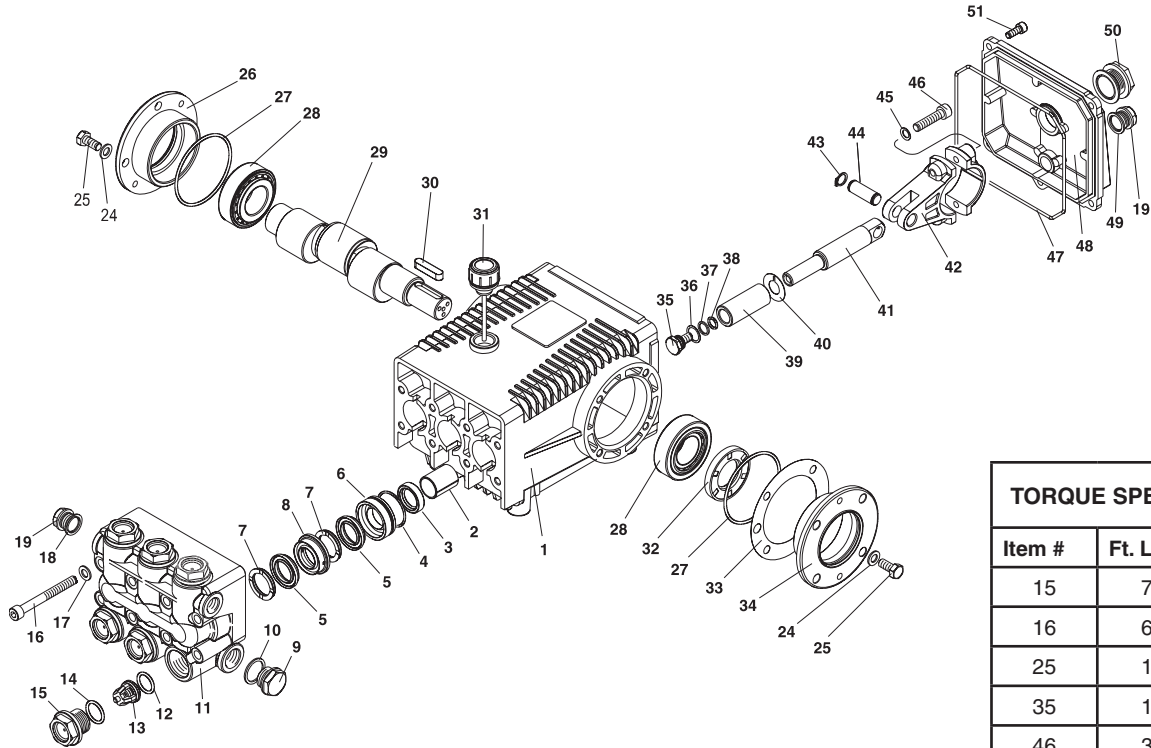
ITEM	PART NO.	DESCRIPTION	QTY
35*	70-120023	Plunger, 15mm	3
36*	70-140027	Copper Spacer	3
37*	70-060130	O-Ring Ø1.78 x 5.28	3
38*	70-000913	Teflon Ring	3
39*	70-000320	Plunger Rod	3
40	70-150204	Connecting Rod Pin	3
41	70-010008	Connecting Rod	3
42	70-140102	Spring Washer	6
43	70-180132	Connecting Rod Screw	6
44	70-070005	Sight Glass	1
45	70-060302	Gasket	1
46	70-020352	Crankcase Cover	1
47	70-060104	O-Ring Ø2.62 x 107.62	1

* Available in kit (See below)

REPAIR KIT NUMBER	70-261408	70-261409	70-261404	70-260028	70-260826
KIT DESCRIPTION	*Plunger Seal 15mm	**Complete Seal Packing	Plunger 15mm	Complete Valve	Plunger Oil Seals
ITEM NUMBERS INCLUDED	3, 5, 6	2, 3, 4, 5, 6, 7	34, 35, 36, 37, 38	11, 12, 13	2
NUMBER OF CYLINDERS KIT WILL SERVICE	3	1	1	6	3

PUMP EXPLODED VIEW AND PARTS LIST

5-1728



TORQUE SPECS	
Item #	Ft. Lbs.
15	75
16	60
25	18
35	10
46	30
51	7.6

PUMP EXPLODED VIEW PARTS LIST

ITEM	PART NO.	DESCRIPTION	QTY	ITEM	PART NO.	DESCRIPTION	QTY
1	70-020210	Crankcase	1	17	70-140301	Washer	8
2	70-060200	Plunger Guide	3	18	70-060306	Copper Washer 3/8"	1
3*	See Kit Below	Plunger Oil Seal	3	19	70-160117	Brass Plug 3/8"	1
4*	70-060108	O-Ring Ø1.78 x 31, 47	3	24	70-140001	Washer	8
5*	See Kit Below	"V" Seal, Plunger	6	25	70-180203	Hexagonal Screw	8
	See Kit Below	"V" Seal Plunger	6	26	70-050054	Closed Bearing Housing	1
6*	70-120107	Pressure Ring (6035)	3	27	70-060100	O-Ring Ø2.62 x 71.12	2
	70-120108	Pressure Ring (5030)	3	28	70-020004	Roller Bearing, Tapered	2
7*	70-030000	Support Ring (6035)	6	29	70-000487	Crankshaft (6035)	1
	70-030001	Support Ring (5030)	6		70-000488	Crankshaft (4035)	1
8*	70-030012	Intermed. Ring (6035)	3	30	70-020604	Crankshaft Key	1
	70-030013	Intermed. Ring (5030)	3	31	70-160007	Oil Dip Stick	1
9	70-160120	Brass Plug, 1/2"	1	32	70-000100	Crankshaft Seal	1
10	70-060307	Copper Washer 1/2"	1	33	70-030100	Shim	2
11	70-160217	Manifold Head	1	34	70-050053	Bearing Housing	1
12*	70-060119	O-Ring Ø2.62 x 17.13	6	35*	70-180000	Plunger Bolt	3
13*	See Kit Below	Valve Assembly	6	36*	70-140013	Copper Spacer	3
14*	70-060165	O-Ring Ø2.62 x 20.29	6	37*	70-060102	O-Ring Ø1.78 x10.82	3
15	70-160130	Valve Plug	6	38*	70-000902	Teflon Ring	3
16	70-180136	Manifold Stud Bolt	8				

PUMP EXPLODED VIEW PARTS LIST (CONT)

ITEM	PART NO.	DESCRIPTION	QTY
39*	See Kit Below	Plunger (6035)	3
	See Kit Below	Plunger (5030)	3
40*	70-140014	Copper Spacer	3
41	70-000300	Plunger Rod	3
42	70-010000	Connecting Rod	3
43	70-150000	Snap Ring	6
44	70-150200	Connecting Rod Pin	3
45	70-140103	Spring Washer	6
46	70-180101	Connecting Rod Screw	6
47	70-060185	O-Ring Ø2.62 x 152.07	1
48	70-020351	Crankcase Cover	1
49	70-060302	Gasket, G3/8	1
50	70-070005	Sight Glass G3/4	1
51	70-180112	Cover Screw	5

* Part available in kit (See below)

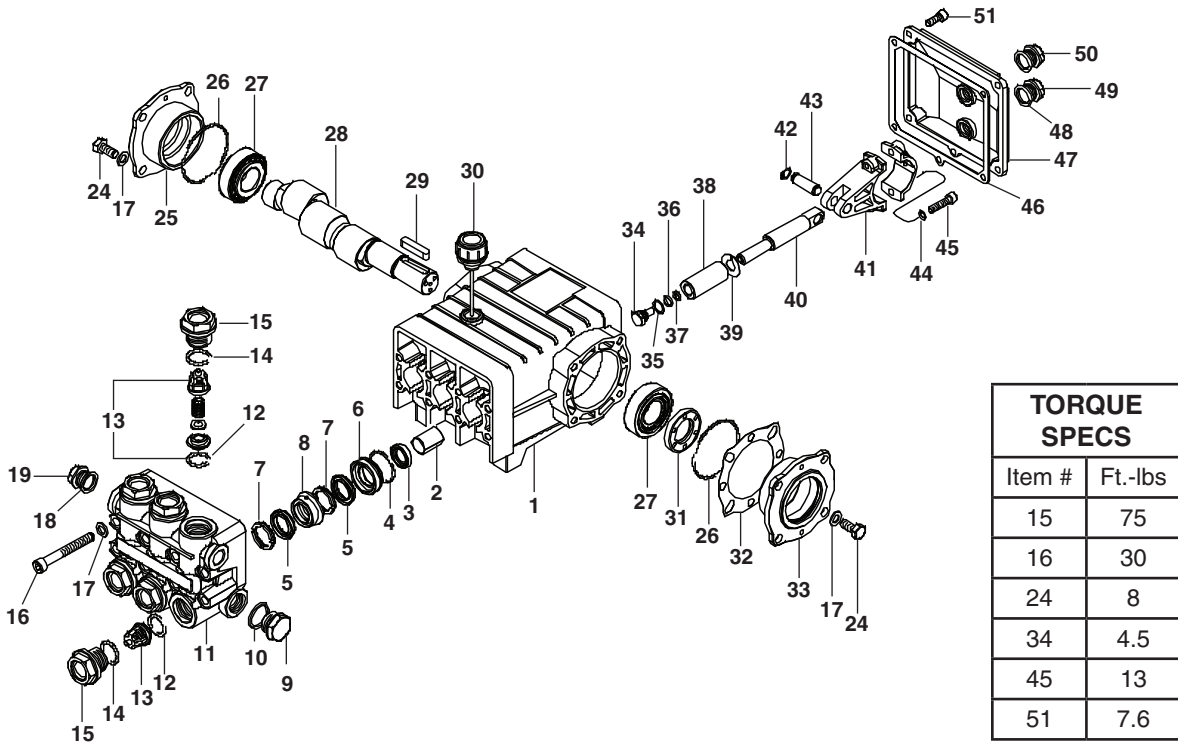
REPAIR KIT NUMBER	70-260020	70-260110*	70-261211	70-260811**	70-260024	70-260112	70-260007	70-260023
KIT DESCRIPTION	Plunger Seal 6035	Plunger Seal 5030	Complete Seal Packing 6035	Complete Seal Packing 5030	Plunger -6035	Plunger 5030	Complete Valve (all pumps)	Plunger Oil Seals (all pumps)
ITEM NUMBERS INCLUDED	4, 5, 7	4, 5, 7	3, 4, 5, 6, 7, 8	3, 4, 5, 6, 7, 8	35, 36, 37, 38, 39, 40	35, 36, 37, 38, 39, 40	12, 13, 14	3
NUMBER OF CYLINDERS KIT WILL SERVICE	3	3	1	1	1	1	6	3

* High Heat, Use 70-262922 T-5030H/R

** High Heat, Use 70-262921LT-5030H/R

PUMP EXPLODED VIEW AND PARTS LIST

5-1410
5-1415



PUMP EXPLODED VIEW PARTS LIST

ITEM	PART NO.	DESCRIPTION	QTY	ITEM	PART NO.	DESCRIPTION	QTY
1	70-020209	Crankcase	1	9	70-160120	Brass Plug 1/2"	1
2	70-060201	Plunger Guide	3	10	70-060307	Copper Washer 1/2"	1
3*	See Kits Below	Plunger Oil Seal	3	11	70-160216	Manifold Head	1
4*	70-060107	O-Ring Ø1.78 x 31,47	3	12*	70-060119	O-Ring Ø2.62 x 17.13	6
5*	See Kits Below	"V" Seal (4035)	6	13*	See Kits Below	Valve Assembly	6
	See Kits Below	"V" Seal (4030, 5030)	6	14*	70-060165	O-Ring Ø2.62 x 20.29	6
	See Kits Below	"V" Seal (3540)	6	15	70-160130	Valve Plug	6
6*	70-120106	Pressure Ring 18mm (4035)	3	16	70-180103	Manifold Stud Bolt	8
	70-120105	Pressure Ring 20mm (4030, 5030)	3	17	70-140001	Washer	16
	70-120120	Pres Ring 15mm (3540)	3	18	70-060306	Copper Washer 3/8	1
7*	70-030007	Support Ring 18mm (4035)	6	19	70-160117	Brass Plug 3/8	1
	70-030009	Support Ring 20mm (4030, 5030)	6	24	70-180203	Hexagonal Screw	8
	70-030027	Support Ring 15mm (3540)	6	25	70-050051	Closed Bearing Housing	1
8*	70-030011	Intermed. Ring 18mm (4035)	3	26	70-060163	O-Ring Ø1.78 x 60.05	2
	70-030010	Intermed. Ring 20mm (4030, 5030)	3	27	70-020003	Tapered Roller Bearing	2
	70-030020	Intermediate Ring 15m (3540)	3	28	70-000485	Crankshaft (5030,3540)	1
					70-000486	Crankshaft (4030,4035/H)	1
				29	70-020604	Crankshaft Key	1

PUMP EXPLODED VIEW PARTS LIST (CONT)

ITEM	PART NO.	DESCRIPTION	QTY
30	70-160006	Oil Dip Stick	1
31	70-000102	Crankshaft Seal	1
32	70-030102	Shim	2
33	70-050050	Bearing Housing	1
34*	70-180001	Plunger Bolt	3
35*	70-140012	Copper Spacer	3
36*	70-060103	O-Ring Ø1.78 x 7.66	3
37*	70-000904	Teflon Ring	3
38*	See Kits Below	Plunger (4035, 4035H)	3
	See Kits Below	Plunger (4030, 5030)	3
	See Kits Below	Plunger (3540)	3
39*	70-140015	Copper Spacer	3
40	70-000301	Plunger Rod	3
41	70-010001	Connecting Rod	3
42	70-150001	Snap Ring	6
43	70-150201	Connecting Rod Pin	3
44	70-140102	Spring Washer	6
45	70-180105	Connecting Rod Screw	6
46	70-060009	Cover Gasket	1
47	70-020350	Crankcase Cover	1
48	70-060302	Gasket, G3/8	1
49	70-160117	Brass Plug 3/8	1
50	70-070001	Sight Glass G3/8	1
51	70-180112	Cover Screw	5
52	70-000929	▲ Bach Ring 1/2" (4035H)	3

* Available in kit (See below) ▲ Not Shown

REPAIR KIT NUMBER	70-261216	70-260821	70-260824	70-261210	70-260810	70-260825	70-261217	70-260822	70-260823	70-260007	70-260027
KIT DESCRIPTION	*Plunger Seal 4035	Plunger Seal 4030 5030	Plunger Seal 3540	**Complete Seal Packing 4035	Complete Seal Packing 4030 5030	Complete Seal Packing 3540	Plunger 4035 4035H	Plunger 4030 5030	Plunger 3540	Complete Valve	Plunger Oil Seals
ITEM NUMBERS INCLUDED	4, 5, 7	4, 5, 7	4, 5, 7	3, 4, 5, 6, 7, 8	3, 4, 5, 6, 7, 8	3, 4, 5, 6, 7, 8	34, 35, 36, 37, 38, 39	34, 35, 36, 37, 38, 39	34, 35, 36, 37, 38, 39	12, 13, 14	3
NUMBER OF CYLINDERS KIT WILL SERVICE	3	3	3	1	1	1	1	1	1	6	3

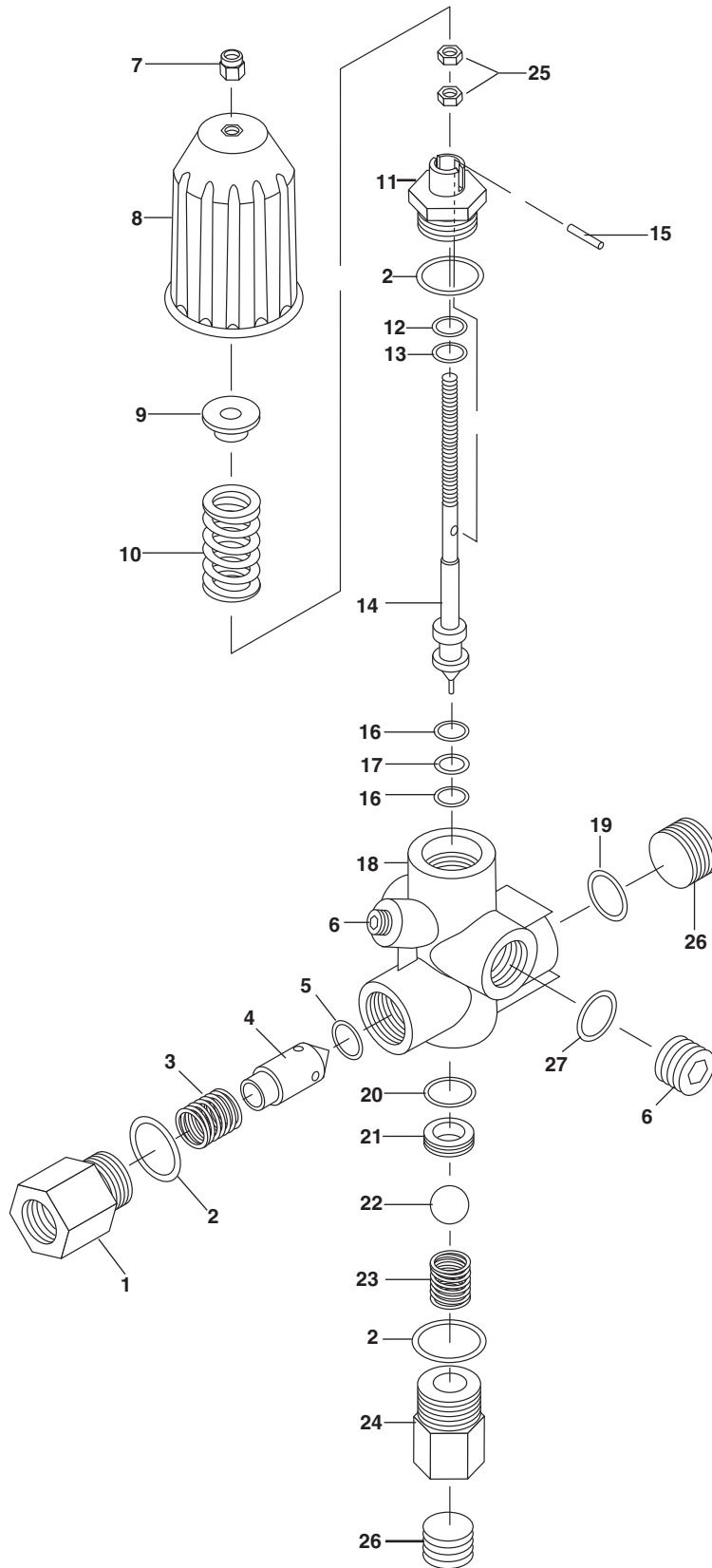
* For 4035H High Heat Packings, Use 70-261212

**Fo 4035H High Heat Packings, Use 70-261213

AR-AL UNLOADER EXPLODED VIEW AND PARTS LIST

AR - AL 607 #9.802-367.0

7-8 Gpm, 4200 Psi



AR-AL UNLOADER EXPLODED VIEW AND PARTS LIST

ITEM	PART NO.	DESCRIPTION	QTY	ITEM	PART NO.	DESCRIPTION	QTY
1	83-005150010	Check Connector	1	15	83-005106301	Spring Pin	1
2	83-005060108	‡ O-Ring 2068	3	16	83-005000101	Back Ring	2
3	83-005100002	Shutter Spring	1	17	83-005060101	‡ O-Ring 2050	1
4	83-004120000	Shutter	1	18	83-005020003	Body By Pass 1/4 G-F	1
5	83-004060109	‡ O-Ring 631290 SH	1	18	83-005020026	Body By Pass 3/8 G-F	1
6	83-005170102	1/4 G Plug	1	19	83-005060200	3/8 Gasket	1
7	83-005030101	M8 Lock Nut	1	20	83-001060129	‡ O-Ring 2043	1
8	83-005100100	Knob	1	21	83-001060200	‡ Seat	1
9	83-005150101	Washer	1	22	83-001160000	‡ Ball	1
10	83-005400403	4000 PSI Spring (Black)	1	23	83-005100003	Ball Spring	1
11	83-005150011	Stem Guide Union	1	24	83-005150009	Seat Union	1
12	83-005000102	‡ Back Ring	2	25	83-005030200	M8 Nut	2
13	83-005060106	‡ O-Ring 2031	1	26	83-005170101	3/8G Plug	2
14	83-005160502	Stem AL606	1	27	83-005060201	Gasket	1
14	83-005160514	Stem AL607	1		83-005650213	‡ Repair Kit	

Unloader Adjustment Procedures

1. Remove lock nut (Item 7).
2. Remove adjustment knob (Item 8).
3. Loosen the (2) nuts (Item 25), move them upward on stem (Item 14) till you see 4 or more threads below the nut.
4. Re-attach adjusting knob (Item 8).
5. Start machine. Open the trigger of the spray gun. Increase pressure by turning adjustment knob (Item 8) clockwise till pressure is at the desired operating pressure.
6. Remove the adjustment knob (Item 8), tighten the lower nut (items 25) tightly against the upper nut (Items 25). Re-attach adjustment knob (Item 8) and screw down until contact is made with the nuts (Items 25). Screw down lock nut (Item 7) onto the stem (Item 14) until the stem (Item 14) threads cut into the nylon insert of the lock nut (Item 7).

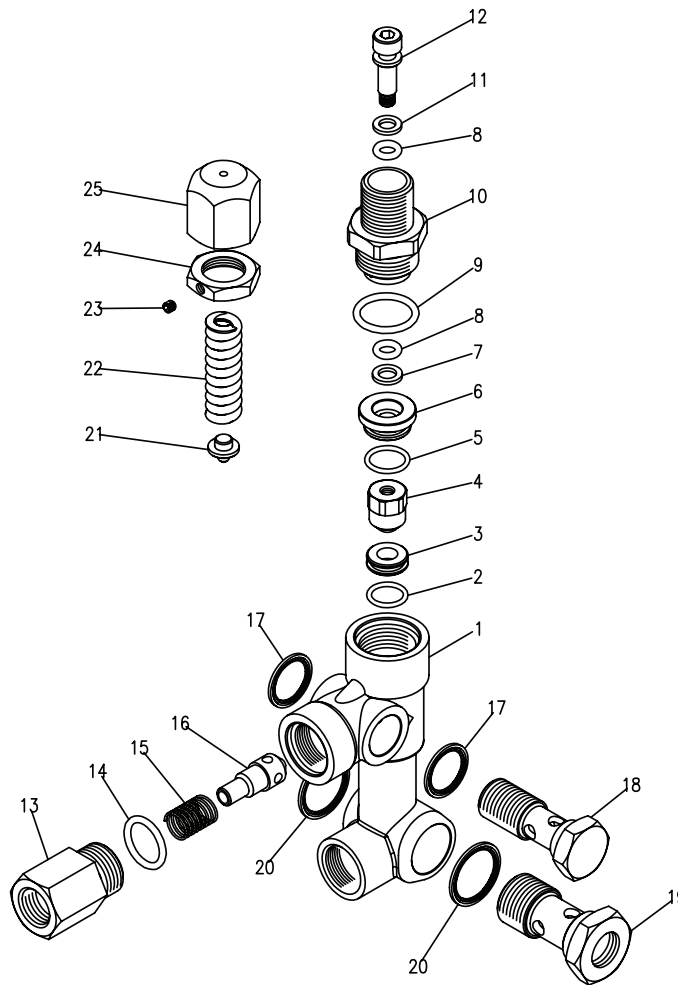
*If adjustment knob (Item 8) **DOES NOT** make contact with upper nut (Items 25), remove adjusting knob (Item 8), re-adjust (raise) nuts (Items 25) on stem (Item 14) and re-attach adjustment knob (Item 8), then repeat step #6.

If adjustment knob (Item 8) **DOES make contact with upper nut; release the trigger of the spray gun and watch the pressure gauge for the pressure increase (“spike”). This “spike” **SHOULD NOT** exceed 500 psi above the operating pressure. If “spike” pressure exceeds the 500 psi limit, remove the adjusting knob (Item 8) and re-adjust (lower) the nuts (Items 25) on the stem (Item 14). Re-attach the adjusting knob (Item 8), then repeat step #6.

VBA35 UNLOADER EXPLODED VIEW

#5-3329

#5-3330



VBA35 UNLOADER EXPLODED VIEW PARTS LIST

ITEM	PART #	DESCRIPTION	KIT	QTY	ITEM	PART #	DESCRIPTION	KIT	QTY
1	70-020444	Body Valve		1	16	70-110207	Poppet	B	1
	70-020452	Body Valve		1	17	70-140802	Seal Washer 3/8		2
2	70-060141	O-Ring	A, C	1	18	70-180004	Hollow Bolt, 3/8		1
3	70-150316	Seat	C	1	19	70-180008	Hollow Bolt 1/2		1
4	70-450401	Ball, Sub-assy	C	1	20	70-140803	Seal Washer 1/2		2
5	70-060114	O-Ring	A	1	21	70-120212	Plate	C	1
6	70-010111	Guide Bushing		1	22	70-090037	Spring	C	1
7	70-000919	Teflon Ring	A	1	23	70-180304	Set Screw		1
8	70-060170	O-Ring	A	2	24	70-030209	Nut		1
9	70-060162	O-Ring	A	1	25	70-090520	Brass Handle		1
10	70-140734	Connector		1					
11	70-000918	Teflon Ring	A	1	Kit A	70-262813	O-Ring Repair Kit		
12	70-120611	Stem	C	1	Kit B	70-262814	Outlet Kit		
13	70-140702	Connector, Female		1	Kit C	70-262815	Stem Repair Kit		
14	70-060119	O-Ring	A, B	1					
15	70-090004	Spring	B	1					