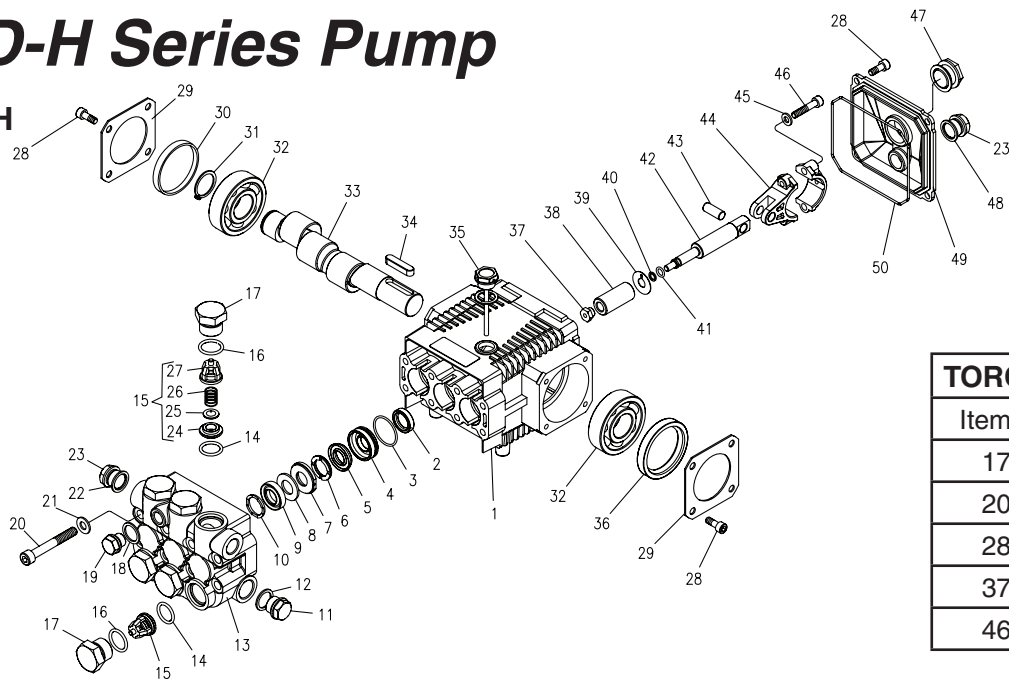




GD-H Series Pump

5-1906 GD 3030H



TORQUE SPECS	
Item #	Ft.-lbs
17	65
20	18
28	7.6
37	7
46	13

PARTS LIST

ITEM	PART NO.	DESCRIPTION	QTY	ITEM	PART NO.	DESCRIPTION	QTY
1	70-020292	Crankcase	1	28	70-180112	Screw	12
2*	See Kits Below	Plunger Oil Seal	3	29	70-020318	Bearing Cover	2
3*	70-060181	O-Ring Ø1.78 x 28.30	3	30	70-020502	Bearing Seal	1
4*	70-120131	Pressure Ring 15mm	3	31	70-150003	Snap Ring	1
5*	See Kits Below	"U"Seal, 15mm	6	32	70-021300	Ball Bearing	2
6*	70-030048	Support Ring 15mm	6	33	70-000605	Crankshaft	1
7*	70-030052	Intermed. Ring 15mm	3	34	70-020604	Crankshaft Key	1
8*	70-000933	Ring, Teflon 15mm	3	35	70-160012	Oil Dipstick	1
9*	70-000222	"U" Seal 15mm	3	36	70-000110	Crankshaft Seal	1
10*	70-030029	Ring, Support 15mm	3	37*	70-030211	Plunger Nut	3
11	70-160120	Brass Plug 1/2"	1	38*	70-120023	Plunger, 15mm	3
12	70-060307	Copper Washer 1/2"	1	39*	70-140027	Copper Spacer	3
13	70-160228	Manifold Housing	1	40*	70-060130	O-Ring Ø1.78 x 5.28	3
14*	70-060155	O-Ring Ø1.78 x 15.54	6	41*	70-000913	Teflon Ring	3
15*	See Kits Below	Valve Assembly	6	42*	70-000320	Plunger Rod	3
16*	70-060122	O-Ring Ø2.62 x 18.77	6	43	70-150204	Connecting Rod Pin	3
17	70-160147	Valve Plug	6	44	70-010008	Connecting Rod	3
18	70-060308	Copper Washer 1/4	1	45	70-140102	Spring Washer	6
19	70-160121	Brass Plug G1/4	1	46	70-180132	Connecting Rod Screw	6
20	70-180118	Manifold Stud Bolt	8	47	70-070005	Sight Glass	1
21	70-140001	Washer	8	48	70-060302	Gasket	1
22	70-060306	Copper Washer 3/8	1	49	70-020352	Crankcase Cover	1
23	70-160117	Brass Plug 3/8	2	50	70-060104	O-Ring Ø2.62 x 107.62	1

* Available in kit (See below)

REPAIR KITS

REPAIR KIT NUMBER	70-261412	70-261413	70-261404	70-260028	70-260826
KIT DESCRIPTION	*Plunger Seal 15mm GD-3030H	**Complete Seal Packing GD-3030H	Plunger 15mm GD-3030H	Complete Valve	Plunger Oil Seals
ITEM NUMBERS INCLUDED	3, 5, 6, 8, 9, 10	2, 3, 4, 5, 6, 7, 8, 9, 10	37, 38, 39, 40, 41	14, 15, 16	2
NUMBER OF CYLINDERS KIT WILL SERVICE	3	1	1	6	3