

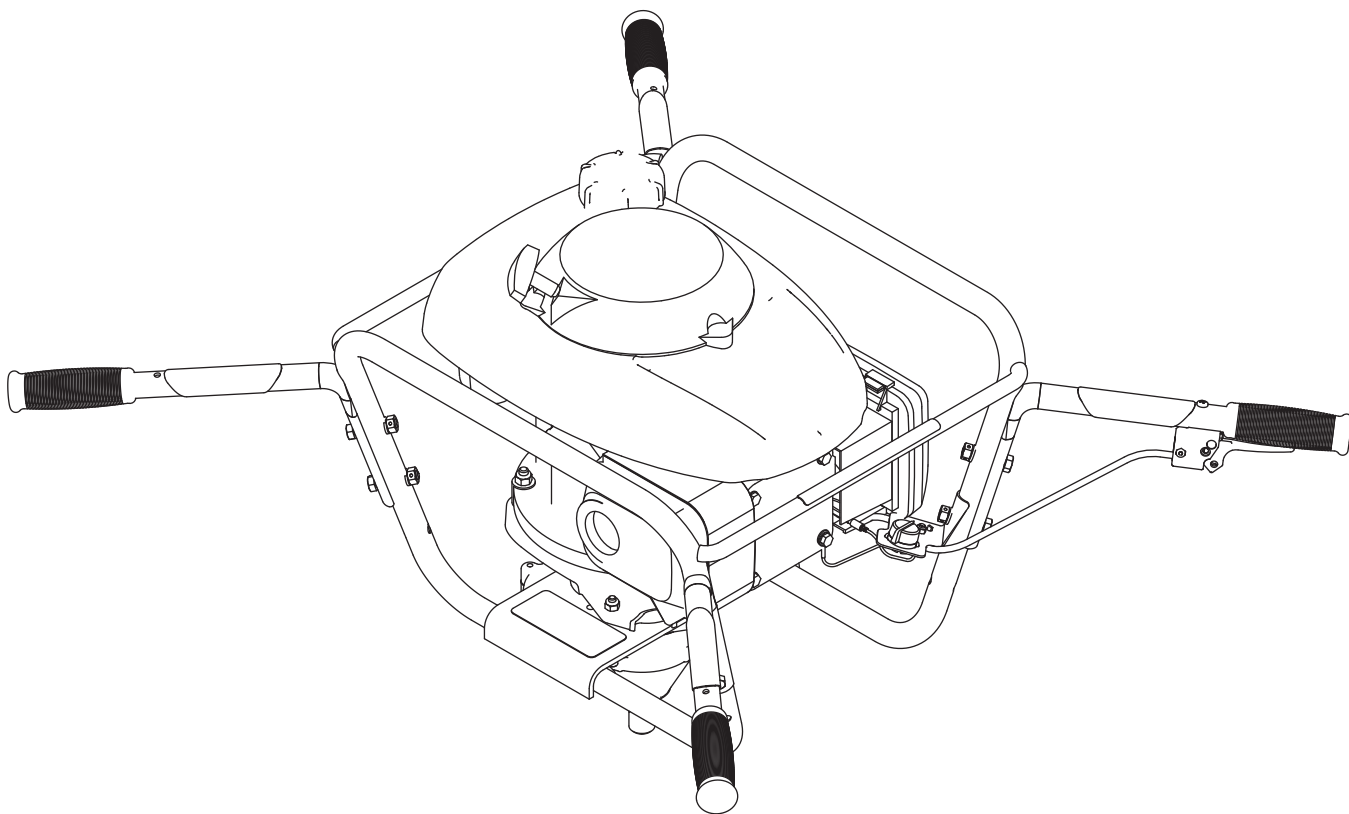


Illustrated Parts Breakdown
Illustration des pièces détachées

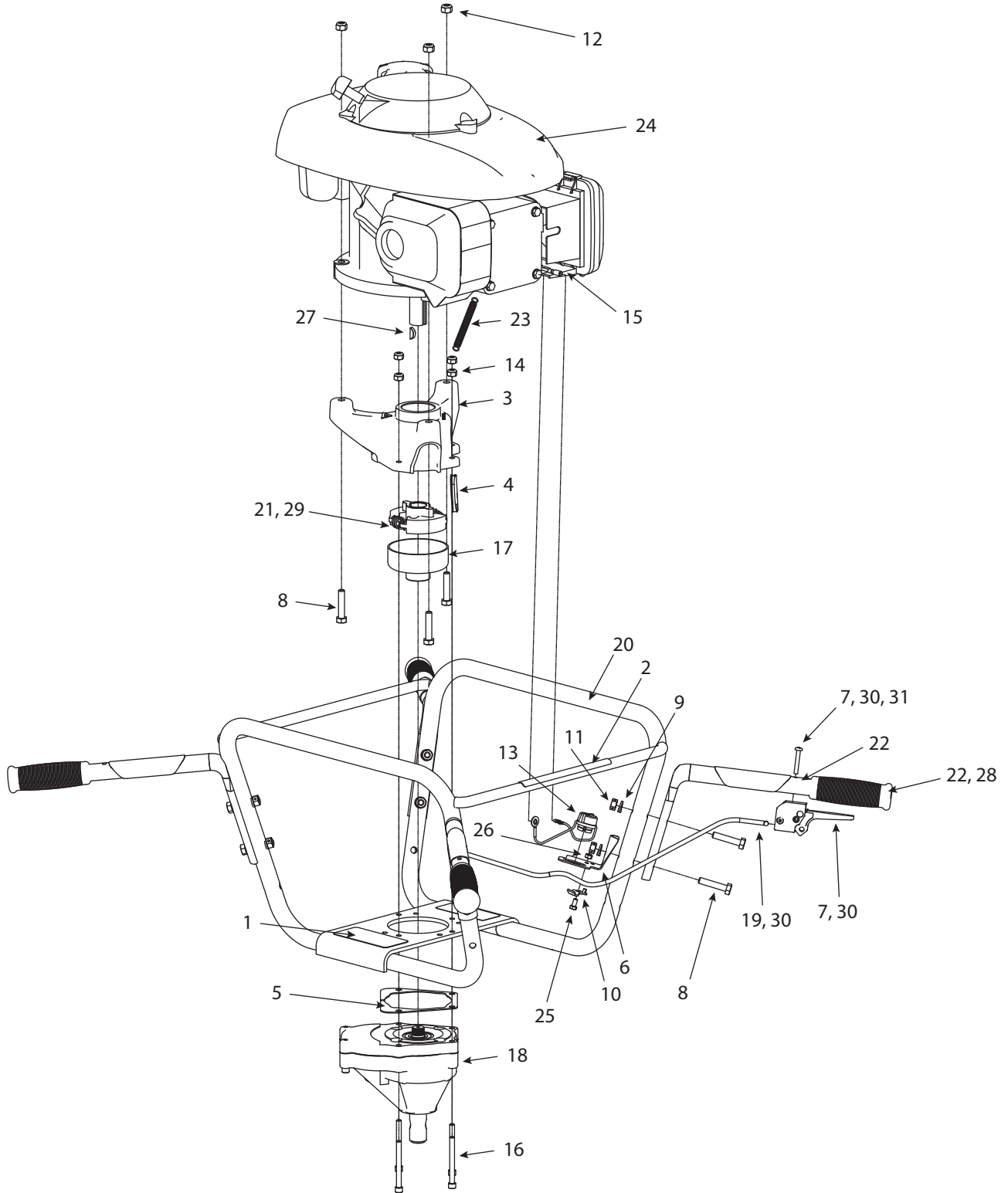
9800H™
2-Man Earth Auger Powerhead

Model Numbers, Numéros de modèle :
9800H

S/N

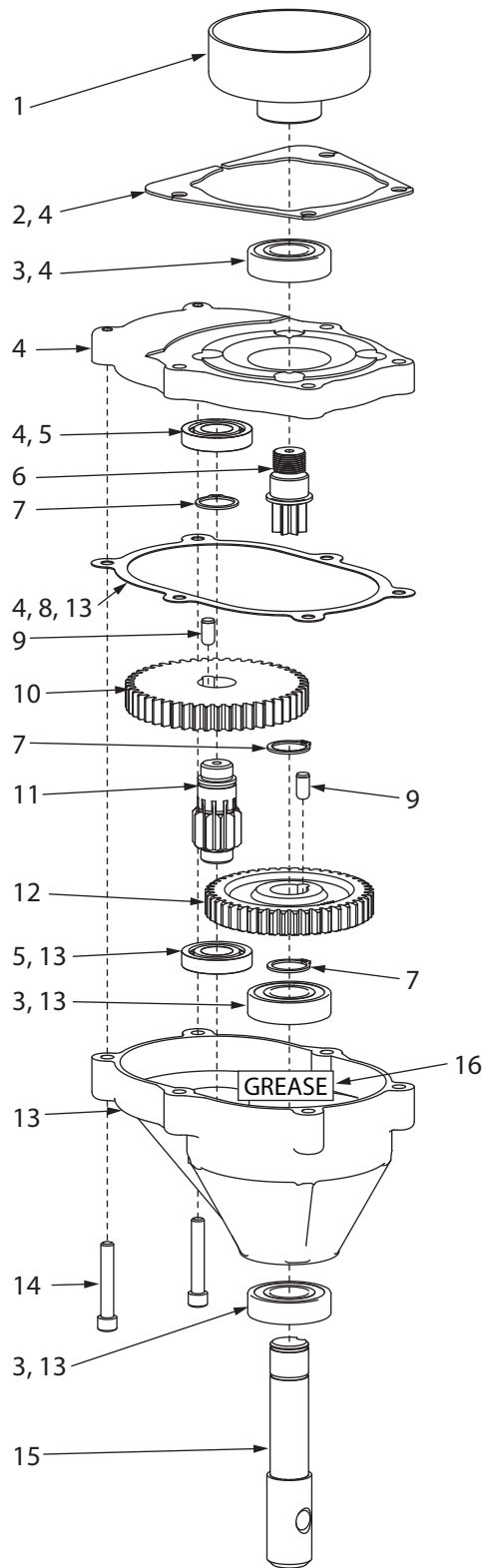


ILLUSTRATED PARTS BREAKDOWN - Engine Frame Group
ILLUSTRATION DES PIÈCES DÉTACHÉES - Groupe moteur-châssis



REF NO.	PART NO.	DESCRIPTION	QTY.
REP.	N° RÉF.	DESCRIPTION	QTÉ
1	19139	DECAL WARNING	1
2	19140	DECAL "THIS SIDE UP"	1
3	22632	ADAPTER	1
4	22664	ADAPTER COVER	1
5	3004149	SHIM TRANSMISSION	1
6	30816	SWITCH BRACKET	1
7	4819	TRIGGER	1
8	503	BOLT 5/16-18 X 1-1/2 IN	11
9	504	WASHER 5/16 IN	8
10	53596A	CLAMP	1
11	60G56	NUT 5/16-18 IN	8
12	60G5NY	NUT 5/16-18 IN NYLOCK	3
13	67069	ON/OFF SWITCH	1
14	67538	NUT 1/4-20 IN	4
15	720081	BULLET TERMINAL	1
16	8935	BOLT 1/4-20 X 2-1/2 IN	4
17	9016	CLUTCH DRUM	1
18	98005	TRANSMISSION	1
19	9805A	THROTTLE CABLE	1
20	28046	FRAME WITH WARNING DECALS	1
21	9825	CLUTCH ROTOR	1
22	9827	HANDLE WITH GRIP	4
23	9832	SPRING THROTTLE CONTROL	1
24	*	HONDA 160CC ENGINE	1
25	IB5810	BOLT M5X0.8X10 MM	1
26	IN58	NUT M5X0.8 MM	1
27	WK6	KEY	1
28	9211	HANDLE GRIP	4
29	9020A	CLUTCH SPRING	2
30	9806	THROTTLE CABLE WITH TRIGGER	1
31	4814	10-24 x 1-1/4 IN	1

ILLUSTRATED PARTS BREAKDOWN - Transmission Group
ILLUSTRATION DES PIÈCES DÉTACHÉES - Groupe réducteur

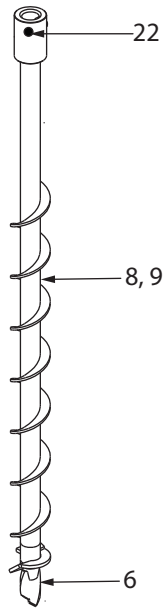


17
30573
 MANUAL BAG

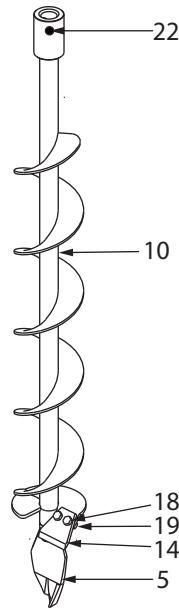
18
21922
 PARTS BAG

REF NO.	PART NO.	DESCRIPTION	QTY.
REP.	N° RÉF.	DESCRIPTION	QTÉ
1	9016	CLUTCH DRUM	1
2	3004149	SHIM TRANSMISSION	1
3	8922	BEARING R12 X 3/4 IN	3
4	75300	TRANSMISSION TOP	1
5	8923	BEARING R10 X 5/8 IN	2
6	9814	GEAR 7T	1
7	8924	RING 3/4 IN	3
8	8919	GASKET	1
9	8915	DOWEL PIN 1/4 IN X 1/2 IN	2
10	8914	GEAR 48T	1
11	9214A	GEAR 10T	1
12	8912	GEAR 44T	1
13	75600	TRANSMISSION LOWER	1
14	8929	BOLT 1/4-20 X 1-1/2 IN	2
15	8913	OUTPUT SHAFT	1
16	11468	GREASE EP2 MOLYBDENUM 1/2 LB	1
17	30573	MANUAL BAG	1
18	21922	PARTS BAG	1

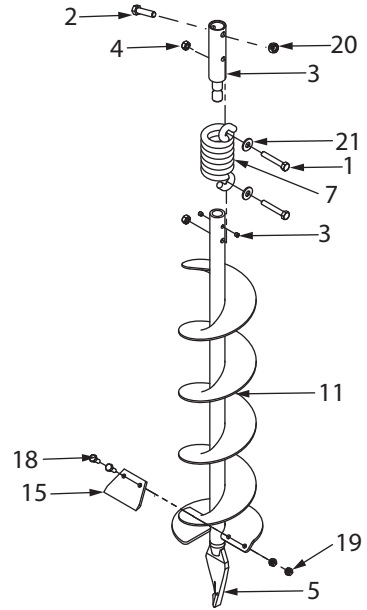
ILLUSTRATED PARTS BREAKDOWN - Auger Accessories
ILLUSTRATION DES PIÈCES DÉTACHÉES - Accessoires de tarière



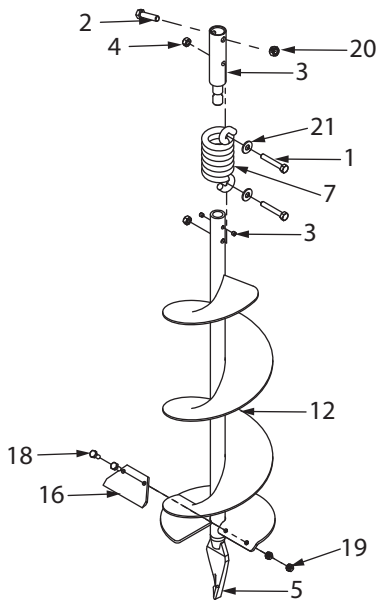
*Optional Accessory,
 Accessoires en option :*
EA2F, EA3F



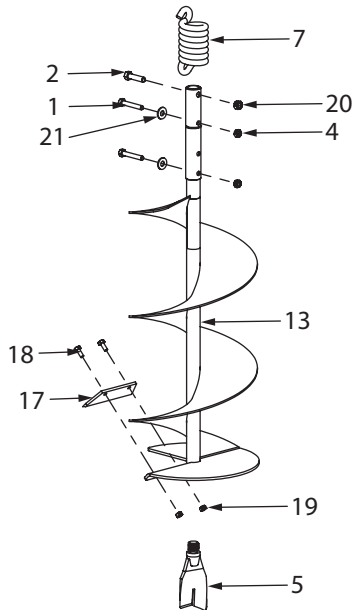
*Optional Accessory,
 Accessoires en option :*
EA4F



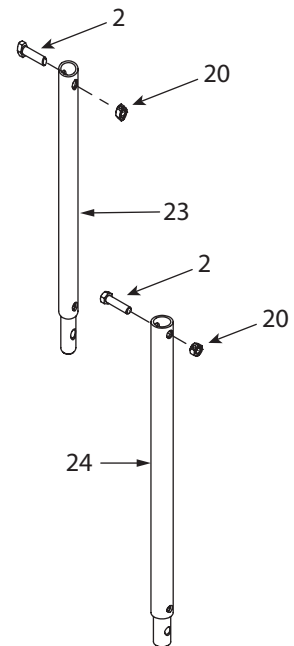
*Optional Accessory,
 Accessoires en option :*
EA6F



*Optional Accessory,
 Accessoires en option :*
EA8F



*Optional Accessory,
 Accessoires en option :*
EA10F



*Optional Accessory,
 Accessoires en option :*
EXT12, EXT18

REF NO.	PART NO.	DESCRIPTION	QTY.
REP.	N° RÉF.	DESCRIPTION	QTÉ
1	1423	BOLT 5/16-18 X 2 IN	2
2	1433	BOLT 3/8-16 X 1-1/2 IN	1
3	22142	SHOCK TOP WITH SCREWS	1
4	60G56	NUT 5/16-18	2
5	8958HD	FISHTAIL POINT	1
6	8970	EARTH POINT	1
7	8980	SHOCK SPRING	1
8	EA2F	EARTH AUGER 2 IN WITH POINT	1
9	EA3F	EARTH AUGER 3 IN WITH POINT	1
10	EA4F	EARTH AUGER 4 IN WITH POINT	1
11	EA6F	EARTH AUGER 6 IN WITH POINT	1
12	EA8F	EARTH AUGER 8 IN WITH POINT	1
13	EA10F	EARTH AUGER 10 IN WITH POINT	1
14	EB4	EARTH BLADE 4 IN	1
15	EB6	EARTH BLADE 6 IN	1
15	EB6HD	EARTH BLADE (HEAVY DUTY) 6 IN	1
16	EB8	EARTH BLADE 8 IN	1
16	EB8HD	EARTH BLADE (HEAVY DUTY) 8 IN	1
17	EB10	EARTH BLADE 10 IN	1
17	EB10HD	EARTH BLADE (HEAVY DUTY) 10 IN	1
18	EBOLT	BOLT 1/4-28 X 5/8 IN	2
19	ENUT	NUT 1/4-28	2
20	2104	NUT 3/8-16	1
21	WF516	WASHER 5/16 IN	2
22	8955	BOLT 3/8-16 X 1-1/4 IN	1
23	EXT12	EXTENSION 12 IN	1
24	EXT18	EXTENSION 18 IN	1