

# PARTS MANUAL



*Mikasa* **SERIES**  
**MODEL MTR-80L**  
**TAMPING RAMMER**  
**(ROBIN EC-10G ENGINE)**

Revision #9 (10/29/20)

**THIS MANUAL MUST ACCOMPANY THE EQUIPMENT AT ALL TIMES.**

**MIKASA MTR-80L —  
Tamping Rammer**

Table Of Contents ..... 2  
Explanation Of Codes In Remarks Column ..... 4  
Suggested Spare Parts ..... 5  
Name Plate And Decals ..... 6-7  
Crankcase and Engine Assembly ..... 8-9  
Guide Cylinder and Foot assembly ..... 10-11  
Tank and Handle Assembly ..... 12-13

**ROBIN EC-10G STD  
ENGINE**

Crankcase and Cylinder Assembly ..... 14-15  
Crankshaft and Piston Assembly ..... 16-17  
Governor Assembly ..... 18-19  
Muffler and Blower Assembly ..... 20-21  
Carburetor and Air Cleaner Assembly ..... 22-23  
Recoil Starter Assembly ..... 24-25  
Magento Assembly ..... 26-27

**NOTE**

*Specification and part number  
are subject to change without  
notice.*

# EXPLANATION OF CODE IN REMARKS COLUMN

How to read the marks and remarks used in this parts book.

## Items Found In the “Remarks” Column

Serial Numbers-Where indicated, this indicates a serial number range (inclusive) where a particular part is used.

Model Number-Where indicated, this shows that the corresponding part is utilized only with this specific model number or model number variant.

## Items Found In the “Items Number” Column

All parts with same symbol in the number column, \*, #, +, %, or ■, belong to the same assembly or kit.

### NOTE

If more than one of the same reference number is listed, the last one listed indicates newest (or latest) part available.

### NOTE

*The contents of this catalog are subject to change without notice.*

# MTR-80L SUGGESTED SPARE PARTS

## MTR-80L Mikasa Rammer 1 to 3 Units

Qty.	PIN	Description
10	GRS2	Grease, high temp.
3	0650140010	Spark plug
1	956300060	Lever, throttle assy.
1	501302060	Wire, throttle
1	0643000101	Drain Cock
2	505015060	Nipple, A-grease
2	505015070	Nipple, B-grease
1	301910081	Tank cap assy.
1	954300390	Fuel cock
3	301419750	Filter, in-line fuel
1	959401750	Stopper for wire
1	402010110	Spring, return throttle
3	1063270407	Element, air cleaner
1	0669900207	Button, stop (S/N C1092 & Below)
1	0660000370	Switch, stop (S/N C1093 & Above)

## MTR-80L Mikasa Rammer 3 to 5 Units

Qty.	PIN	Description
10	GRS2	Grease, high temp.
3	0650140010	Spark plug
2	956300060	Lever, throttle assy.
2	501302060	Wire, throttle
1	0643000101	Drain Cock
2	505015060	Nipple, A-grease
2	505015070	Nipple, B-grease
1	301910081	Tank cap assy.
2	954300390	Fuel Cock
5	301419750	Filter, in-line fuel
2	959401750	Stopper for wire
2	402010110	Spring, return throttle
4	1063270407	Element, air cleaner
1	0669900207	Button, stop (S/N C1092 & Below)
1	1066230207	Kit, carburetor
1	0660000370	Switch, stop (S/N C1093 & Above)

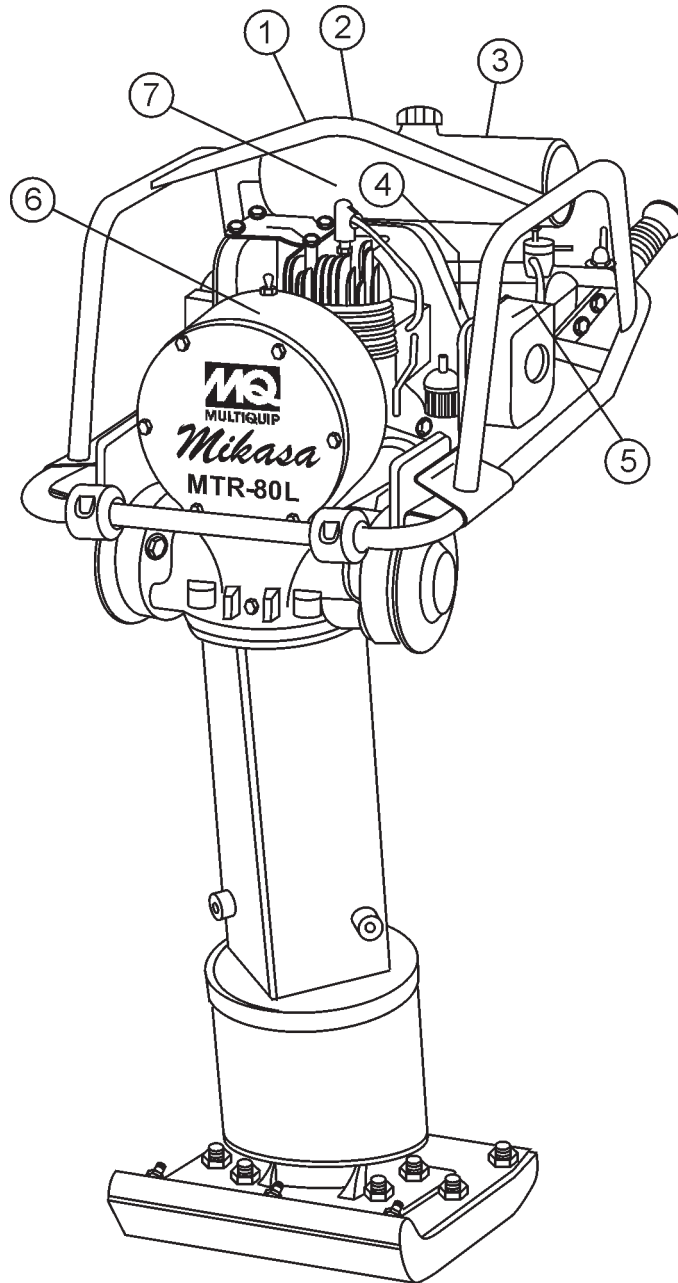
## MTR-80L Mikasa Rammer 5 to 10 Units

Qty.	PIN	Description
10	GRS2	Grease, high temp.
10	0650140010	Spark plug
1	0655000051	Cap, spark plug
3	956300060	Lever, throttle assy.
3	501302060	Wire, throttle
2	0643000101	Drain cock
4	505015060	Nipple, A-grease
4	505015070	Nipple, B-grease
2	301910081	Tank cap assy.
2	954300390	Fuel cock
10	301419750	Filter, in-line fuel
3	959401750	Stopper for wire
3	402010110	Spring, return throttle
2	1069900107	Gasket set
2	1062350107	Ring set, standard
10	1063270407	Element, air cleaner
3	0669900207	Button, stop (S/N C1092 & Below)
2	1066230207	Kit, carburetor
3	0660000370	Switch, stop (S/N C1093 & Above)
3	0642001410	Bowl, fuel cock
3	954405080	Fuel filter, tank cap

## MTR-80L Mikasa Rammer 10+ Units

Qty.	PIN	Description
20	GRS2	Grease, high temp.
14	0650140010	Spark plug
2	0655000051	Cap, spark plug
4	956300060	Lever, throttle assy.
4	501302060	Wire, throttle
5	0643000101	Drain cock
6	505015060	Nipple, A-grease
6	505015070	Nipple, B-grease
3	301910081	Tank cap assy.
3	954300390	Fuel cock
12	301419750	Filter, in-line fuel
4	959401750	Stopper for wire
4	402010110	Spring, return throttle
3	1069900107	Gasket set
3	1062350107	Ring set, standard
12	1063270407	Element, air cleaner
4	0669900207	Button, stop (S/N C1092 & Below)
4	1066230207	Kit, carburetor
1	1066251600	Carburetor
4	0642001410	Bowl, fuel cock
4	954405080	Fuel filter, tank cap
1	1065081310	Recoil starter assembly
3	0660000370	Switch, stop (S/N C1093 & Above)
1	301421360	Clutch assembly
1	1063272800	Air cleaner assembly

# MTR-80L— NAME PLATE AND DECALS



# MTR-80L— NAMEPLATE AND DECALS

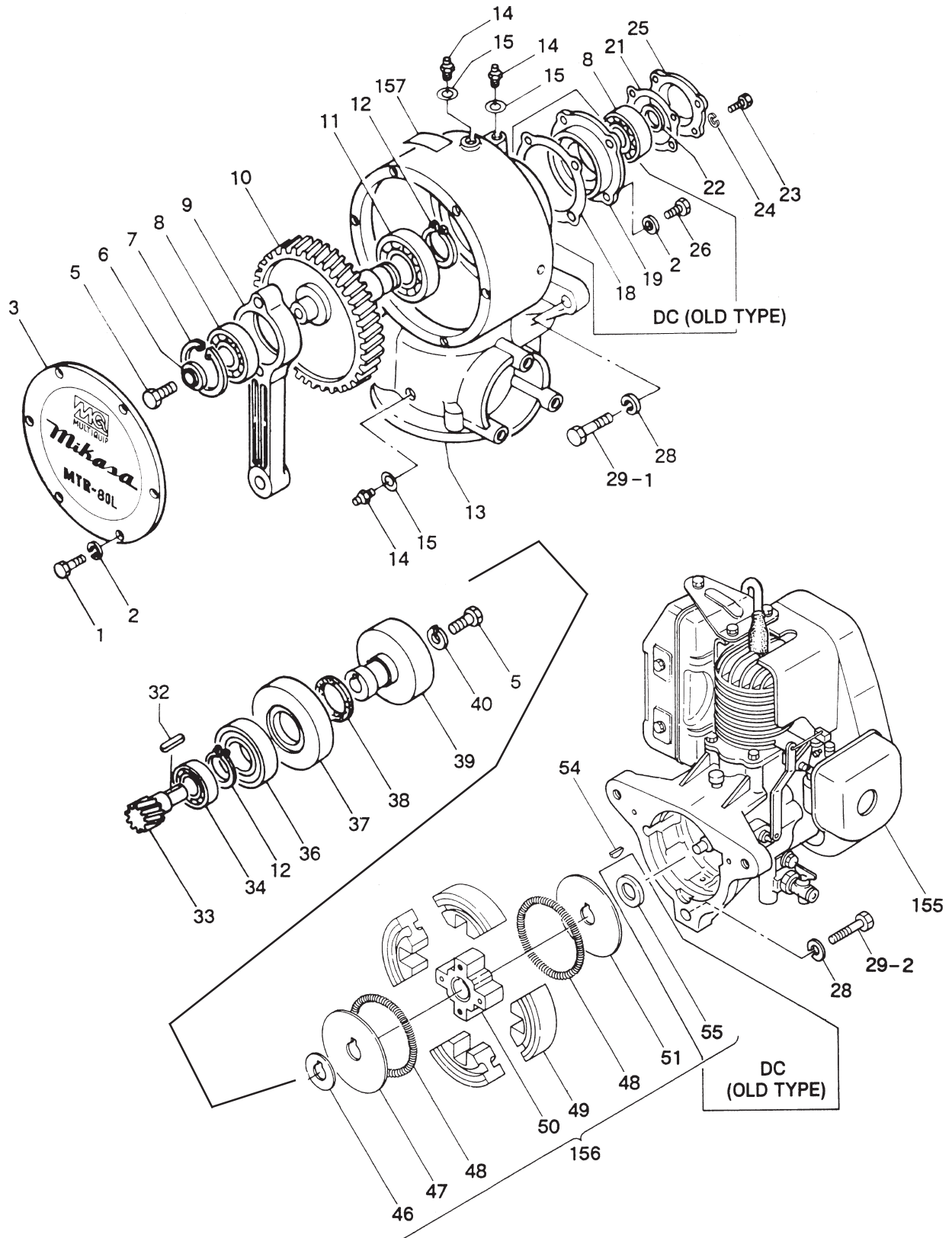
## NAME PLATE AND DECALS

<u>NO</u>	<u>PART NO</u>	<u>PART NAME</u>	<u>QTY.</u>	<u>REMARKS</u>
1*	920200500	DECAL: MIXED FUEL	1	NPA-50
2*	920203290	DECAL: CAUTION READ	1	NPA-329
3*	920201810	DECAL: CAUTION	1	NPA-181
5*	920203990	DECAL: FUEL SHUT-OFF	1	NPA-399
6		PLATE, SERIAL NO.	1	CONTACT MQ SERVICE DEPT. W/MODEL & S/N
7*	920202630	DECAL: MIKASA LOGO	1	NAP-263
10	DCLMTR-80L	KIT, DECAL .....	1 .....	INCLUDES ITEMS W/*

SEE DECAL ILLUSTRATIONS ON PAGE 8.

# MTR-80L — CRANKCASE AND ENGINE ASSY.

CRANKCASE AND ENGINE ASSY.



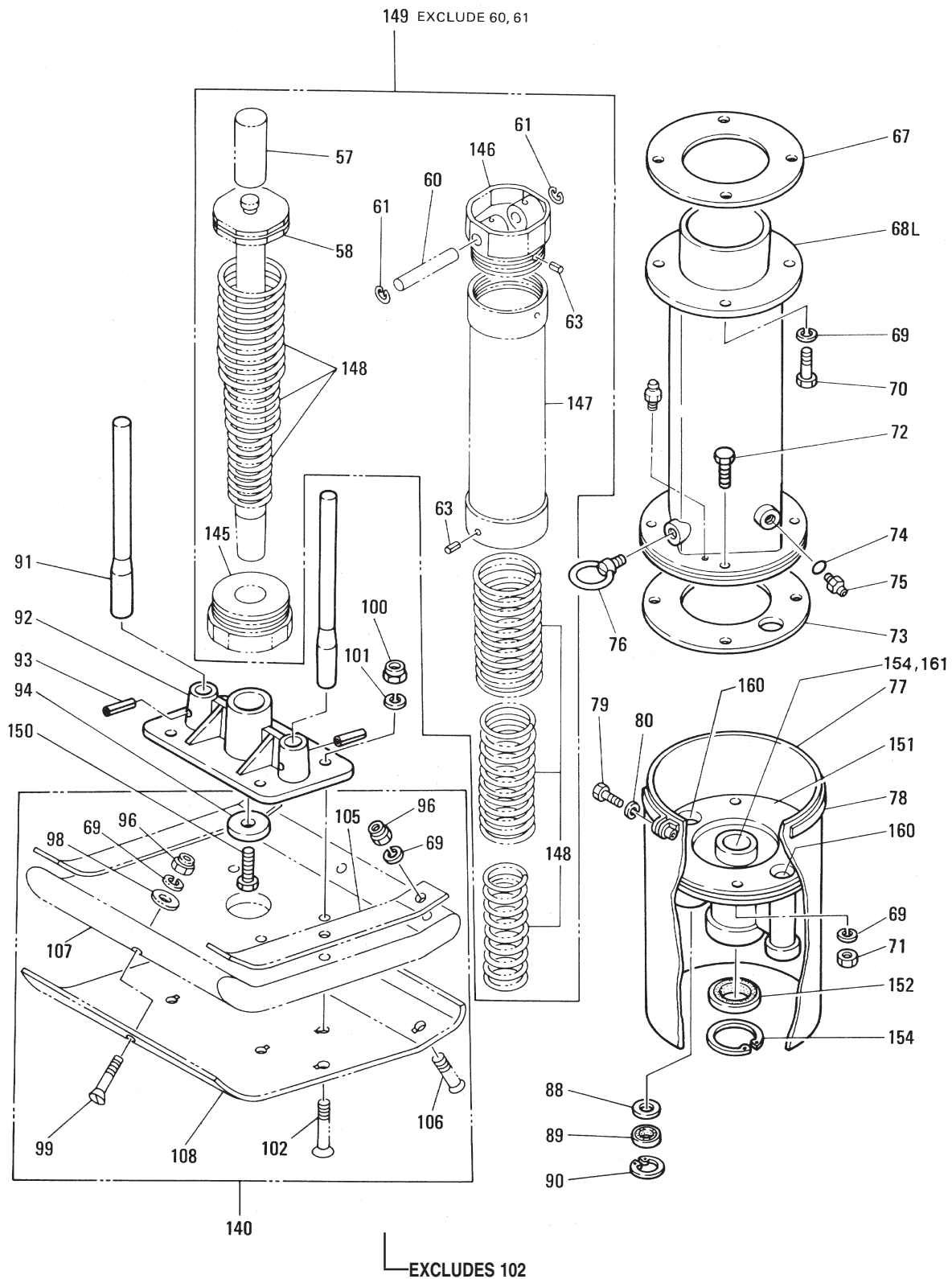
# MTR-80L — CRANKCASE AND ENGINE ASSY.

## CRANKCASE AND ENGINE ASSY.

<u>NO.</u>	<u>PART NO.</u>	<u>PART NAME</u>	<u>QTY.</u>	<u>REMARKS</u>
1	2008020	BOLT 8X16 .....	6	REPLACES 001200816 AND 0017108016
2	030208200	WASHER SW M8	10	
2	030208200	WASHER SW M8 .....	6	QC
3	301205230	FRONT COVER MTR-80L	1	
3	301300060	FRONT COVER MTR-80G	1	
5	011008020	BOLT 8X20 H .....	2	REPLACES 001210820
6	301010050	LOCK WASHER, 8X32 .....	1	BELOW S/N C9661
6	952400690	WASHER 9X35X4.5 .....	1	S/N C9661 AND ABOVE
6	030208200	WASHER LOCK 8MM .....	1	S/N C9661 AND ABOVE
7	080100620	STOP RING R-62	1	
8	042006305	BEARING 6305ZZ	2	
9	301300530	CONNECTING ROD	1	
10	301300120	CRANK GEAR .....	1	BELOW S/N C9661
10	301300126	CRANK GEAR .....	1	S/N C9661 AND ABOVE
11	041006307	BEARING 6307Z	1	
12	080200350	STOP RING S-35	2	
13	301010071	CRANK CASE MTR-80L	1	
13	301010080	CRANK CASE MTR-80G	1	
14	505015060	GREASE FITTING A MTR-80L	3	
14	505015070	GREASE FITTING B MTR-80-G	1	
15	920100200	PLATE, GREASE MARK .....	3	IN KIT DCL 80L
18	301010110	PACKING, BEARING HOLDER .....	1	DC
19	301010120	BEARING HOLDER .....	1	DC
21	301010130	PACKING, BEARING COVER	1	
22	080200250	STOP RING S-25	1	
23	001200616	BOLT 6X16	4	
23	011706020	BOLT 6X20 H, SW .....	4	REPLACES 002210620
24	030206150	WASHER SW M6 .....	4	DC
25	301441360	BEARING COVER .....	1	REPLACES 301010140
26	2008020	BOLT 8X16 .....	4	DC REPLACES 001200816 AND 0017108016
28	030210250	WASHER SW M10	3	
29	001211040	BOLT 10X40 H .....	3	DC
29-1	0105051045	BOLT 10X45 H .....	2	OX
29-2	012210035	BOLT 10X35 H .....	1	OX
32	951010060	KEY 5X5X32	1	
33	301010160	PINION	1	
34	042006205	BEARING 6205ZZ	1	
36	042006207	BEARING 6207ZZ	1	
37	301441350	SPACER, CLUTCH DRUM .....	1	REPLACES 301010170 & 301321460
38	301010180	FELT RING	1	
39	352437870	CLUTCH DRUM .....	1	REPLACES 301010190
40	301010200	LOCK WASHER 8X25	1	
46*	301010210	LOCK WASHER, CLUTCH	1	
47*	943060020	CLUTCH GUIDE/B	1	
48*	943030020	CLUTCH SPRING	2	
49*	943020020	CLUTCH SHOE	4	
50*	943050050	CLUTCH BOSS	1	
51*	943060010	CLUTCH GUIDE/A	1	
54	0053204201	WOODRUFF KEY .....	1	REPLACES 951403420
55	301420750	SPACER 15X21X4T, CLUTCH .....	1	DC BELOW S/N V4260
155	911101005	ENGINE ASSY. EC10G .....	1	REPLACES 911101008
156	301421360	CLUTCH ASSY./C812A .....	1	INCLUDES ITEMS W/*
157		PLATE, SERIAL NO. ....	1	CONTACT MQ SERVICE DEPT. W/MODEL & S/N

# MTR-80L — CYLINDER GUIDE AND FOOT ASSY.

## CYLINDER GUIDE AND FOOT ASSY.



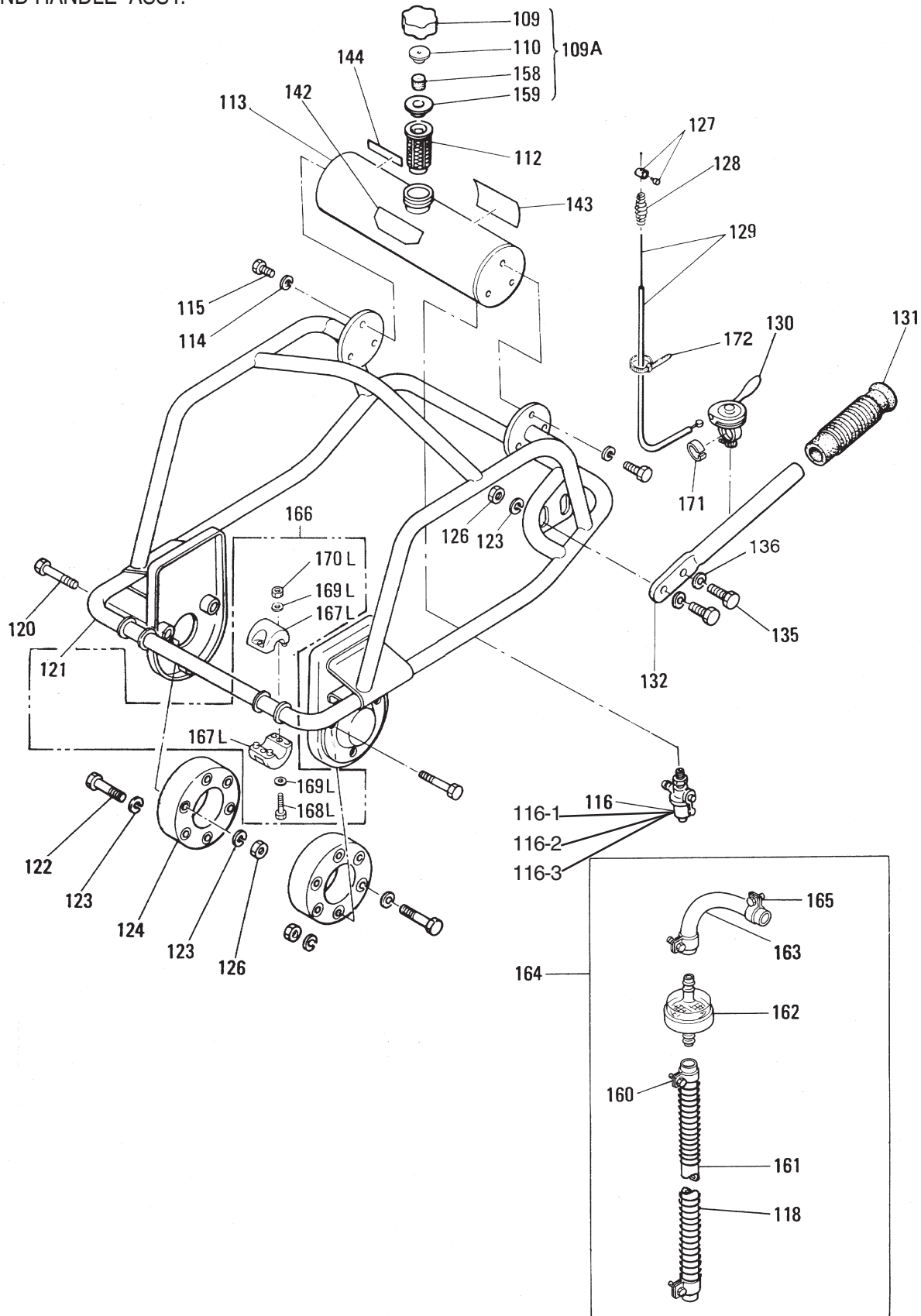
# MTR-80L — CYLINDER GUIDE AND FOOT ASSY.

## CYLINDER GUIDE AND FOOT ASSY.

<u>NO.</u>	<u>PART NO.</u>	<u>PART NAME</u>	<u>QTY.</u>	<u>REMARKS</u>
57#	301010310	PROTECTOR RUBBER	1	
58#	301300520	SPINDLE ROD	1	
60	301010340	CYLINDER PIN	1	
61	080100150	STOP RING R-15 .....	2	REPLACES 301010350
63#	025404010	SPRING PIN 4X10W .....	4	DC
67	301010380	PACKING, GUIDE CYL. (TOP)	1	
68	301100422	GUIDE CYLINDER .....	1	REPLACES 301100420
69*	030210250	WASHER SW M10	16	
70	001211032	BOLT 10X32 H	4	
70	012210035	BOLT 10X35 H .....	4	XO REPLACES 001211035
71	020310080	NUT M10	4	
72	001211032	BOLT 10X32 H	4	
72	001211040	BOLT 10X40 H .....	4	OX
73	301010410	PACKING, GUIDE CYL. (BOTTOM)	1	
74	920100200	PLATE, GREASE MARK	3	
75	505015060	GREASE FITTING A/MQ	3	
76	301010420	EYE BOLT M12X20 .....	1	DC
77	301304990	DUST SLEEVE	1	
78	301010450	STRAP .....	1	REQUIRES 79,80, AND NUT P/N 020108060
79	011208030	BOLT 8X25 T .....	1	REPLACES 001400830
80	030208200	WASHER SW M8	1	
88	301010460	RUBBER SPACER	2	
89	065101030	DUST SEAL DKI-183069	2	
90	080100300	STOP RING R-30	2	
91	301010480	GUIDE SPINDLE	2	
92	301010490	FOOT PLATE	1	
93	025306032	SPRING PIN 6X32 .....	2	REPLACES 025406032
94	301400080	LOCK WASHER	1	
96%	021110120	NYLON NUT M10 .....	8	REPLACES 022711012
98*	506404060	WASHER 11X34X3.2 .....	2	REPLACES 301010540
99*	015110055	SUNK HEAD BOLT 10X55 H .....	5	INCL'S ITEM W/% REPLACES 001611051
100\$	021112140	NYLON NUT M12 .....	4	REPLACES 022711214
101	030212300	WASHER SW M12	4	
102	015112060	SUNK HEAD BOLT 12X70 H .....	4	INCL'S ITEM W/\$ REPL. 001611254 & 015112075
105*	301010550	FOOT FITTING	2	
106*	015110055	SUNK HEAD BOLT 10X55 H .....	3	INCL'S ITEM W/% REPLACES 001611051
107*	301010560	FOOT 11-3/4 (W) X 14 (L) STD.	1	
107		FOOT 14" .....	1	OPTION SOLD THROUGH UNIT SALES DEPT. REPLACES 301010990
108*	301010570	METAL SHT. 11-3/4 (W) X 14 (L) STD.	1	
108		METAL SHEET 14" .....		NO LONGER AVAILABLE SEPARATELY
140	301910030	FOOT ASSY. 300W-6T 11-3/4" W/HOLE .....	1	INCLUDES ITEMS W/*
145#	301300150	CYLINDER CAP (BOTTOM)	1	
146#	301300136	CYLINDER CAP (TOP) .....	1	REPLACES 301300130
147#	301300140	SPRING CYLINDER	1	
148#	301300110	MAIN SPRING (A,B,C)	2	
149	301910050	SPRING CYLINDER ASSY. ....	1	INCLUDES ITEMS W/#
150	001121440	BOLT 14X40 T,P1.5	1	
151	301106210	DOUBLE GUIDE CP (W/BUSH) .....	1	INCLUDES ITEMS W/+
152	065103020	DUST SEAL DKI-3446710	1	
154+	080100470	STOP RING R-47 .....	2	REPLACES 080510470
160+	301406100	SLEEVE DOUBLE GUIDE	2	
161+	301424060	BUSHING (B) DOUBLE GUIDE	1	

# MTR-80L — TANK AND HANDLE ASSY.

## TANK AND HANDLE ASSY.



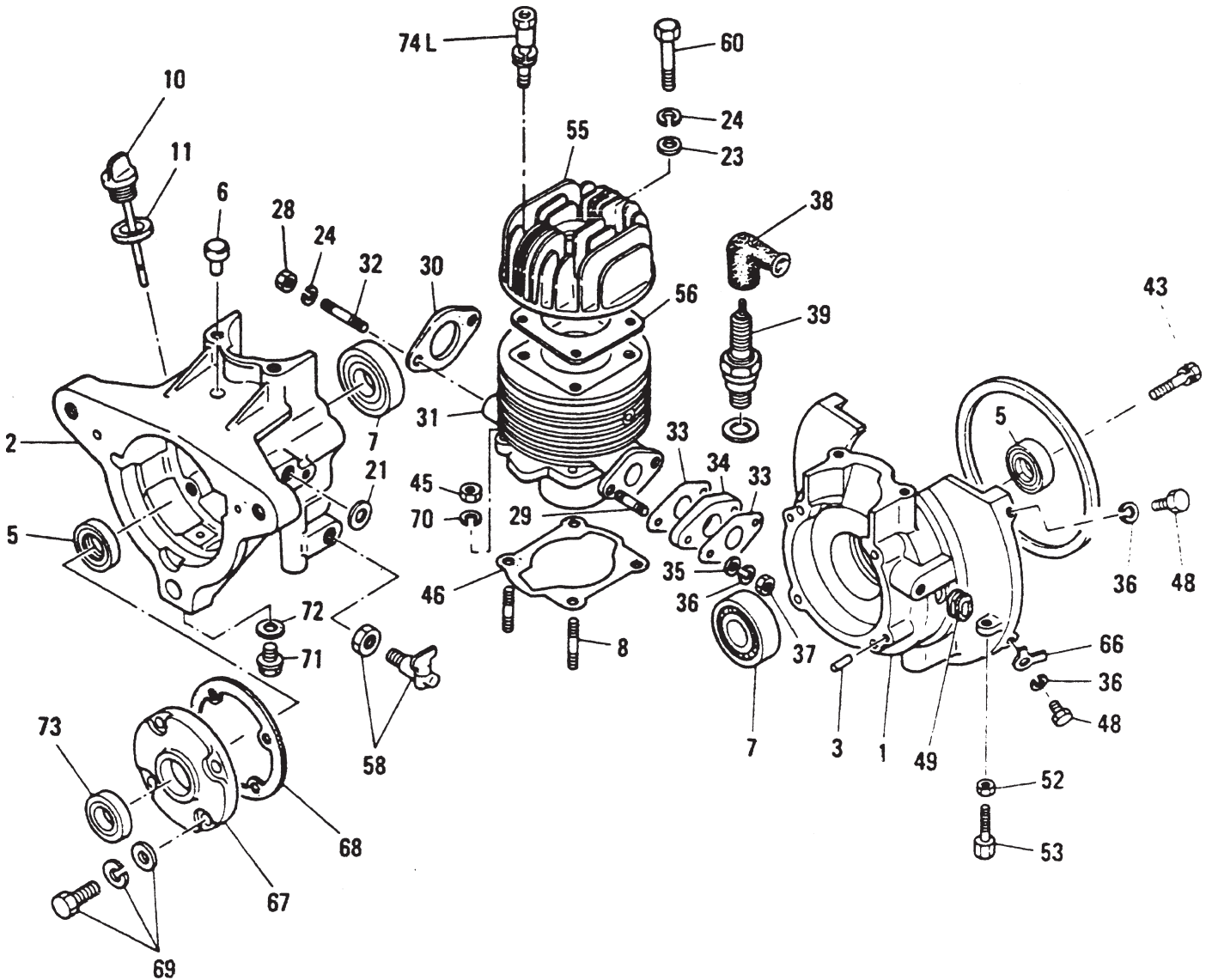
# MTR-80L — TANK AND HANDLE ASSY.

## TANK AND HANDLE ASSY.

<u>NO.</u>	<u>PART NO.</u>	<u>PART NAME</u>	<u>QTY.</u>	<u>REMARKS</u>
109A	301910081	TANK CAP ASSY .....	1	INCLUDES ITEMS W/*
109*	953404280	TANK CAP .....	1	00 REPLACES 301010740
110*	301420050	PLATE	1	
112	954405080	FUEL FILTER .....	1	REPLACES 301010760
113	301010780	FUEL TANK 1		
114	030208200	WASHER SW M8	6	
115	001200815	BOLT 8X15	6	
116	954300390	FUEL COCK ASSY .....	1	INCLUDES ITEMS W/# REPLACES 301322990
116-1#	0642001410	CUP, FUEL COCK	1	
116-2#	0642001420	SCREEN, FUEL COCK	1	
116-3#	0642001430	RUBBER PACKING, FUEL COCK	1	
118+	301420540	PROTECT SPRING 10X180	1	
120	001201081	BOLT 10X58	6	
121%	301105270	HANDLE 80L	1	
122	001201050	BOLT 10X50	6	
123	030210250	WASHER SW M10	14	
124	301010810	RUBBER COUPLING	2	
126	020310080	NUT M10	8	
127	959401750	WIRE STOPPER, ASSY.	1	
128	402010110	RETURN SPRING .....	1	REPLACES 301010950
129	301010900	THROTTLE WIRE-80G	1	
129	501302060	THROTTLE WIRE-80L .....	1	REPLACES 301312630
130	956300060	THROTTLE LEVER ASSY.	1	
131	301010830	RUBBER GRIP	1	
132	301010840	SIDE HANDLE	1	
135	001211030	BOLT 10X30 H	2	
136	031110160	WASHER PW M10	2	
142■	920202630	DECAL, TRADE MARK/RAMMER .....	1	REPLACES 920100340
143■	920201810	DECAL, CAUTION	1	
144■	920200500	DECAL, MIXED FUEL	1	
158*	301010850	SPONGE	1	
159*	301010860	LEAK STOPPER	1	
160+	301420730	HOSE CLAMP 11 .....	2	REPLACES 303010490
160+	301420730	HOSE BAND (8)	4	
161+	301420330	FUEL HOSE R-170 (8")	1	
161+	302420320	FUEL HOSE (3") .....	1	REPLACES 301419760
162+	301419750	FUEL FILTER	1	
163+	302420320	FUEL HOSE	1	
164	301910090	FUEL HOSE ASSY .....	1	INCLUDES ITEMS W/+
165+	301420730	HOSE CLAMP	2	
166	301910100	HANDLE ASSY. 80L W/ROLLER .....	1	INCLUDES ITEMS W/%
167%	301421840	ROLLER	4	
168%	001200525	BOLT 5X25	4	
169%	031105080	WASHER PW M5	8	
170%	020305040	NUT	4	
171	959403750	RUBBER SLIP STOP	1	
172	2267510103	CLAMP	1	
■	DCL80	DECAL KIT	1	INCLUDES ITEMS W/■ AND P/N 920100980 E/G RPM IN CRANKCASE AND ENGINE ITEM 15

# ROBIN EC-10G ENGINE — CRANKCASE AND CYLINDER ASSY.

CRANKCASE AND CYLINDER ASSY.



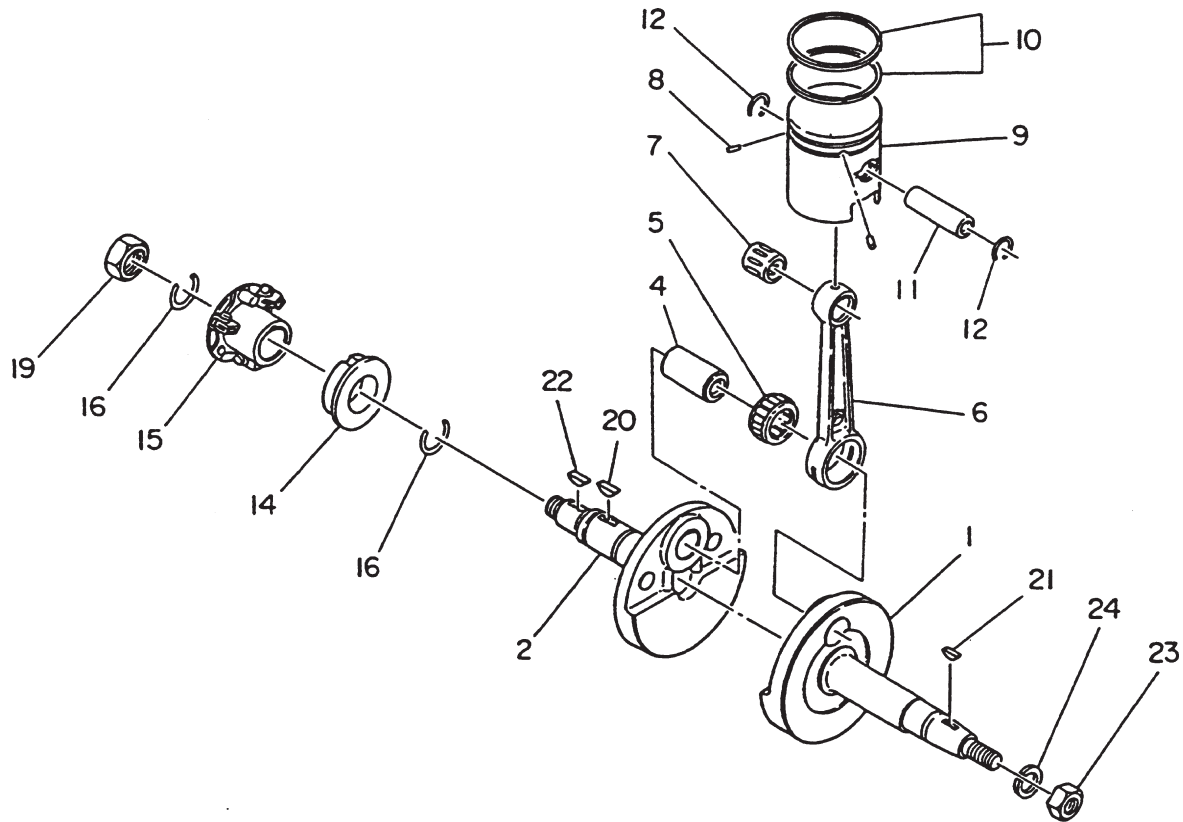
# ROBIN EC-10G ENGINE — CRANKCASE AND CYLINDER ASSY.

## CRANKCASE AND CYLINDER ASSY.

<u>NO.</u>	<u>PART NO.</u>	<u>PART NAME</u>	<u>QTY.</u>	<u>REMARKS</u>
1	1061030501	CRANKCASE ASSY.....	1	INCLUDES ITEMS W/#, REPLACES 1061030211 & 1061030131
5#	0440200010	OIL SEAL TB20328	3	
6	0670070100	AIR BREATHER	1	
7#	0600200020	BEARING 6204 C3	2	
8#	0105070010	STUD	4	
10	1066360601	OIL GAUGE CP. ....	1	INCLUDES ITEMS W/+
11+	0210160010	GASKET	1	
21#	0440080010	OIL SEAL VC8144	1	
23	0031008000	WASHER	2	
24	030208200	SPRING WASHER 8MM .....	4	REPLACES 0032008000
28	020108060	NUT 8MM .....	2	REPLACES 0021908000
29	0013106301	STUD BOLT	2	
30%	1063510201	GASKET CP. EXHAUST	1	
31	1061240901	CYLINDER CP. ....	1	INCLUDES ITEMS W/%, REPLACES 1061240511
32	0013108301	STUD BOLT	2	
33%	1063500103	GASKET	2	
34	1063290203	INSULATOR	1	
35	0031006000	WASHER	2	
36	030206150	SPRING WASHER 6MM .....	6	REPLACES 0032006000
37	020106050	NUT 6MM .....	2	REPLACES 0022706000
38	0655000051	SPARK PLUG CAP .....	1	REPLACES 0655000050
39	0650140010	SPARK PLUG NGK B-4	1	
43#	0011406350	BOLT AND WASHER ASSY.	4	
45	0170070020	NUT	4	
46*	1061500123	GASKET CYLINDER	1	
48	0016606120	BOLT	4	
49	0241070090	GROMMET	1	
52	020106050	NUT 6MM .....	1	REPLACES 0022706000
53	0149060040	ADJUSTING SCREW	1	
55	1061300113	CYLINDER HEAD	1	
56*	1061510111	GASKET CP HEAD	1	
58	0643000101	DRAIN COCK .....	1	REPLACES 0643000100
60	0103080010	BOLT HEAD	2	
66	0205060010	LOCK WASHER	4	
67	1061160111	CRANK CASE COVER	1	
68*	1061500203	GASKET CASE COVER	1	
69	0011406160	BOLT AND WASHER ASSY.	4	
70	0302088200	SPRING WASHER	4	
71	0401080020	PLUG .....	1	REPLACES 0401080010
72	0210080010	GASKET DRAIN	1	
74L	0130080071	BOLT AND WASHER ASSY.	2	
*	1069900107	GASKET SET .....	1	INCLUDES ITEMS W/*
73	0440200010	OIL SEAL	3	

# ROBIN EC-10G ENGINE — CRANKSHAFT AND PISTON ASSY.

CRANKSHAFT AND PISTON ASSY.



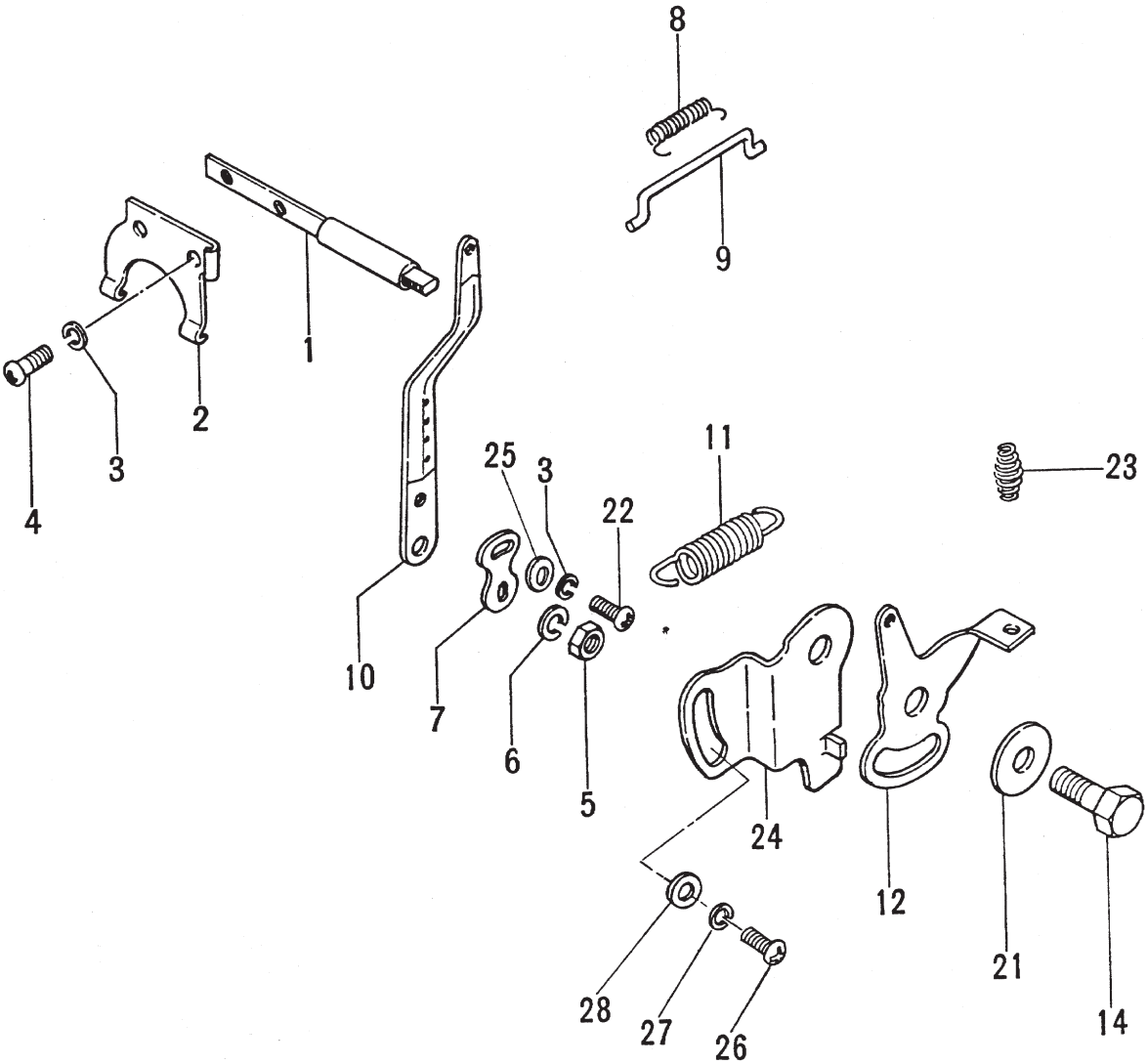
# ROBIN EC-10G ENGINE — CRANKSHAFT AND PISTON ASSY.

## CRANKSHAFT AND PISTON ASSY.

<u>NO.</u>	<u>PART NO.</u>	<u>PART NAME</u>	<u>QTY.</u>	<u>REMARKS</u>
1	1062020210	CRANKSHAFT ASSY. ....	1	INCLUDES 2,4-6
7	0610120010	NEEDLE BEARING	1	
9	1062340111	PISTON COMPL, STD .....	1	INCLS. 8
9	1062340211	PISTON COMPL, 0.25 MM O/S .....	1	INCLS. 8, REPLACES 1062340201
9	1062340311	PISTON COMPL, 0.50 MM O/S .....	1	INCLS. 8, REPLACES 1062340301
10	1062350107	PISTON RING SET, STD	1	
10	1062350207	PISTON RING SET, 0.25 MM O/S	1	
10	1062350307	PISTON RING SET, 0.50 MM O/S	1	
11	1062330113	PISTON PIN	1	
12	0565120010	CLIP	2	
14	1064190303	GOVERNOR SLEEVE	1	
15	1064170201	GOVERNOR PLATE COMPL.	1	
16	0565200020	CLIP	2	
19	0173120010	LOCK NUT	1	
20	0053204201	WOODRUFF KEY .....	1	REPLACES 0323040010
21	0053204201	WOODRUFF KEY	1	
22	0053204201	WOODRUFF KEY	1	
23	0170100010	NUT	1	
24	030210250	SPLIT WASHER 10MM .....	1	REPLACES 0032010000

# ROBIN EC-10G ENGINE — GOVERNOR ASSY.

GOVERNOR ASSY.



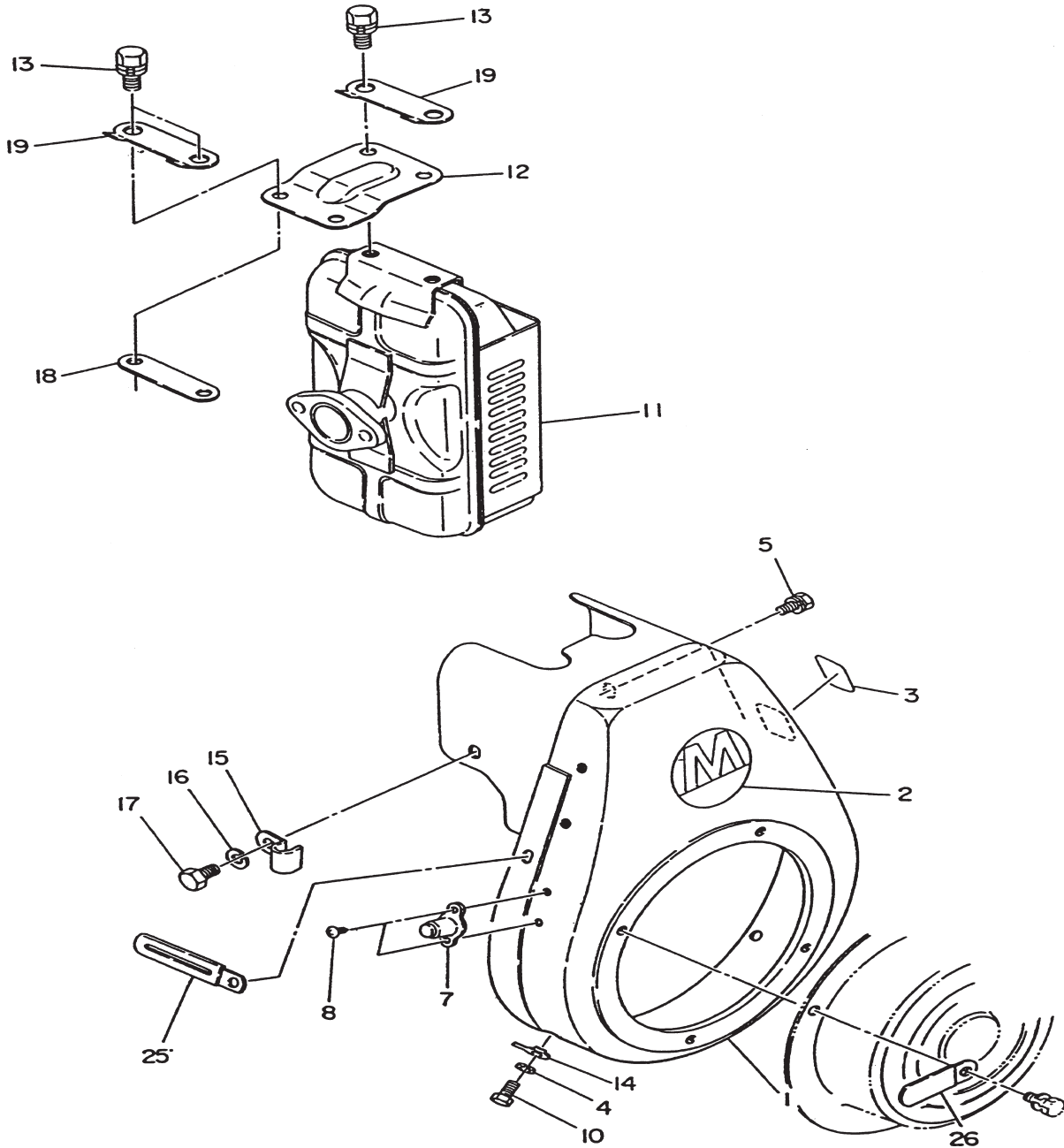
# ROBIN EC-10G ENGINE — GOVERNOR ASSY.

## GOVERNOR ASSY.

<u>NO.</u>	<u>PART NO.</u>	<u>PART NAME</u>	<u>QTY.</u>	<u>REMARKS</u>
1	1064220103	GOVERNOR SHAFT	1	
2	1064210113	GOVERNOR YOKE	1	
3	0032004000	WASHER, SPRING	3	
4	0043504060	SCREW .....	2	REPLACES 0043104060
5	020106050	NUT .....	1	REPLACES 0022706000
6	030206150	SPRING WASHER 6MM .....	1	REPLACES 0032006000
7	1064240101	ADJUSTING PLATE	1	
8	1064280113	ROD SPRING .....	1	REPLACES 1064280111
9	1054270111	GOVERNOR ROD	1	
10	1064230111	GOVERNOR LEVER .....	1	REPLACES 1064230101
11	1054250103	GOVERNOR SPRING .....	1	REPLACES 1054250101
12	1064330620	GOVERNOR CONTROL .....	1	REPLACES 1054330109
14	0043108160	SCREW .....	1	REPLACES 0011708160
22	0043504080	SCREW AND WASHER ASSY. ....	1	REPLACES 0043604080
23	402010110	COIL SPRING .....	1	REPLACES 0830000010
24	1064350400	STOP PLATE .....	1	REPLACES 1054350121
25	0031004000	WASHER	1	
26	0043606100	SCREW AND WASHER ASSY. ....	1	REPLACES 0043106100
27	030206150	WASHER .....	1	REPLACES 0032006000
28	0031106000	WASHER	1	

# ROBIN EC-10G ENGINE — MUFFLER AND BLOWER ASSY.

## MUFFLER AND BLOWER ASSY.



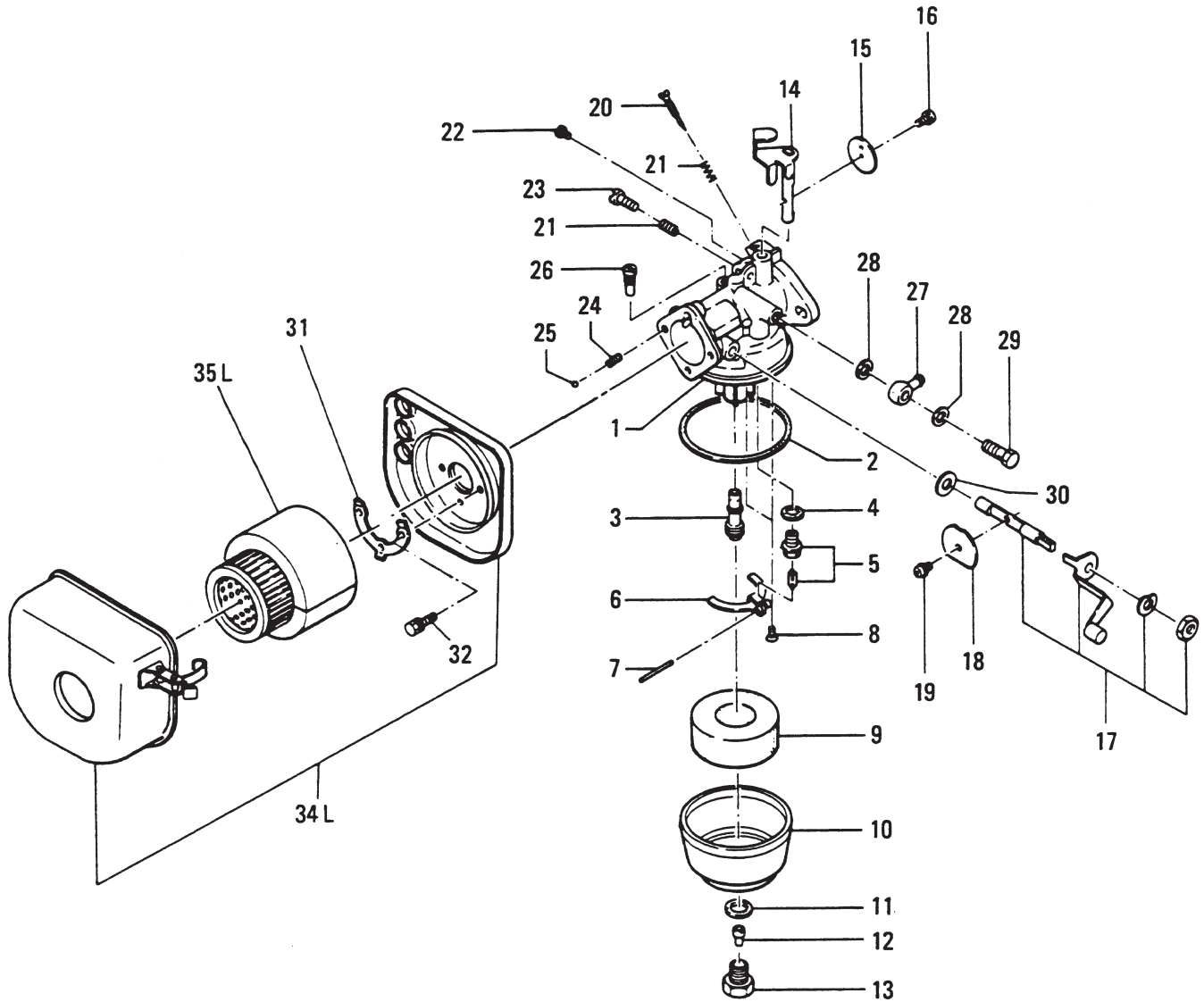
# ROBIN EC-10G ENGINE — MUFFLER AND BLOWER ASSY.

## MUFFLER AND BLOWER ASSY.

<u>NO.</u>	<u>PART NO.</u>	<u>PART NAME</u>	<u>QTY.</u>	<u>REMARKS</u>
1	1065184601	BLOWER HOUSING COMPL. ....	1	INCLUDES ITEMS W/*
2*	920100240	LABEL .....	1	REPLACES 2069170103
3*	1069181533	LABEL ENGINE NAME	1	
4	030206150	SPRING WASHER .....	4	REPLACES 0032006000
5	0016606120	BOLT AND WASHER ASSY. ....	2	REPLACES 0011006120
7	0662000011	STOP BUTTON .....	1	S/N C-1092 & BELOW
7A	0660000370	SWITCH, STOP .....	1	ABOVE S/N C-1092
8	0043504080	TAPPING SCREW .....	2	S/N C-1092 & BELOW REPLACES 0150040010
8A	0043504120	SCREW/WASHER .....	2	ABOVE S/N C-1092
11	1063011801	MUFFLER CP	1	
12	1063560401	BRACKET MUFFLER	1	
13	0011308160	BOLT AND WASHER ASSY.	4	
14	0205060010	LOCK WASHER	4	
15	1067501701	CLAMP COMPL.	1	
16	030208200	SPRING WASHER 8MM .....	1	REPLACES 0032008000
17	0016508120	BOLT	1	
18	1063530201	SPACER	1	
19	1056510121	LOCK WASHER	2	
25	1507520103	CLAMP	1	
26	2267510103	CLAMP	1	

# ROBIN EC-10G ENGINE — CARBURETOR AND AIR CLEANER ASSY.

CARBURETOR AND AIR CLEANER ASSY.



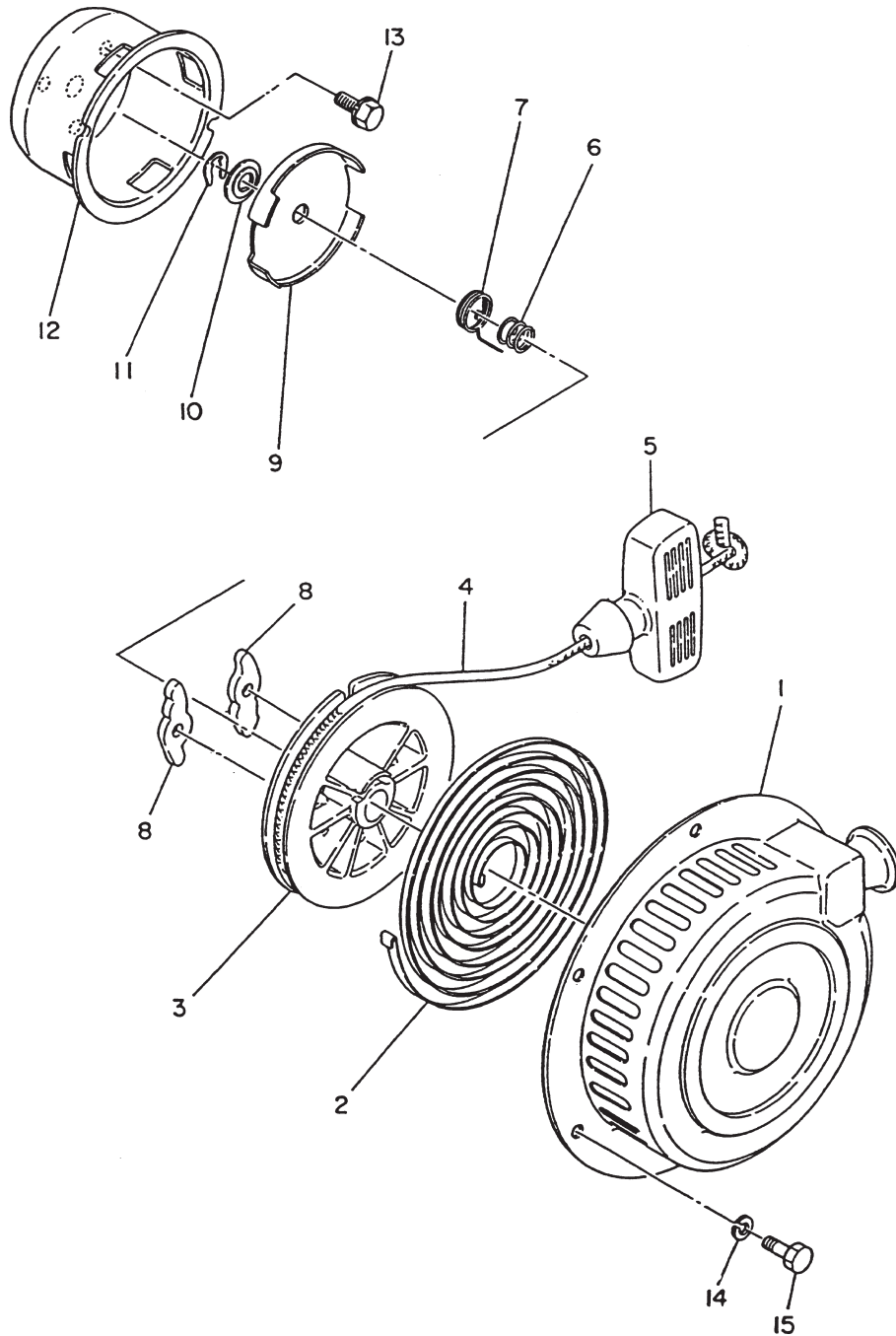
# ROBIN EC-10G ENGINE — CARBURETOR AND AIR CLEANER ASSY.

## CARBURETOR AND AIR CLEANER ASSY.

<u>NO.</u>	<u>PART NO.</u>	<u>PART NAME</u>	<u>QTY.</u>	<u>REMARKS</u>
1	1066251600	CARBURETOR ASSY. ....	1	INCLUDES ITEMS W/#
2#*	1066254708	PACKING, CHAMBER	1	
3#	1066244208	MAIN NOZZLE BV18/235	1	
4#*	1066238108	PACKING	1	
5#*	1286250008	NEEDLE VALVE (1.5DIA)	1	
6#	1066251108	FLOAT ARM	1	
7#	1066251608	PIN, FLOAT	1	
8#	1306235808	SCREW	1	
9#	1066250808	FLOAT	1	
10#	1066238908	FLOAT CHAMBER BODY	1	
11#*	2066243108	PACKING	1	
12#*	2076240308	REVERSE MAIN JET (82.5)	1	
13#	2066235008	BOLT	1	
14#	1066253408	SHAFT ASSY. (THROTTLE)	1	
15#	1616253508	THROTTLE VALVE	1	
16#	2096235108	SPRING WASHER CROSS SCREW	1	
17#	1066252428	SHAFT ASSY. CHOKE .....	1	REPLACES 1066255308
18#	1066255408	CHOKE VALVE	1	
19#	2096235108	SPRING WASHER CROSS SCREW	1	
20#*	1066243608	PILOT SCREW	1	
21#*	2066244608	SPRING	2	
22#	1066235708	GUIDE SCREW	1	
23#	1066235808	SCREW	1	
24#	2096244608	SPRING	1	
25#	2096235308	STEEL BALL	1	
26#*	2076242008	PILOT JET	1	
27	0521060100	BANJO .....	1	NOT INCLUDED W/CARBURETOR
28#*	2076234508	WASHER	2	
29#	2096233508	BANJO BOLT	1	
30#*	5806083210	SEAL .....	1	REPLACES 1066239208
31	1063520101	LOCK WASHER .....	1	REPLACES 1063520111
32	0011305100	BOLT AND WASHER ASSY.	3	
34L	1063272800	AIR CLEANER ASSY. SQUARE 80L ...	1	INCLUDES ITEMS W/+ REPLACES 1063271720
34G	1063271210	AIR CLEANER ASSY. ROUND 80G ....	1	INCLUDES ITEMS W/%
35L+	1063270407	ELEMENT SET, F/SQ. TYPE 80L	1	
35G%	1063260207	ELEMENT SET, F/ROUND TYPE 80G	1	
*	1066230207	KIT, CARBURETOR, MTR-80L .....	1	INCLUDES ITEMS W/*

# ROBIN EC-10G ENGINE — RECOIL STARTER ASSY.

RECOIL STARTER ASSY.



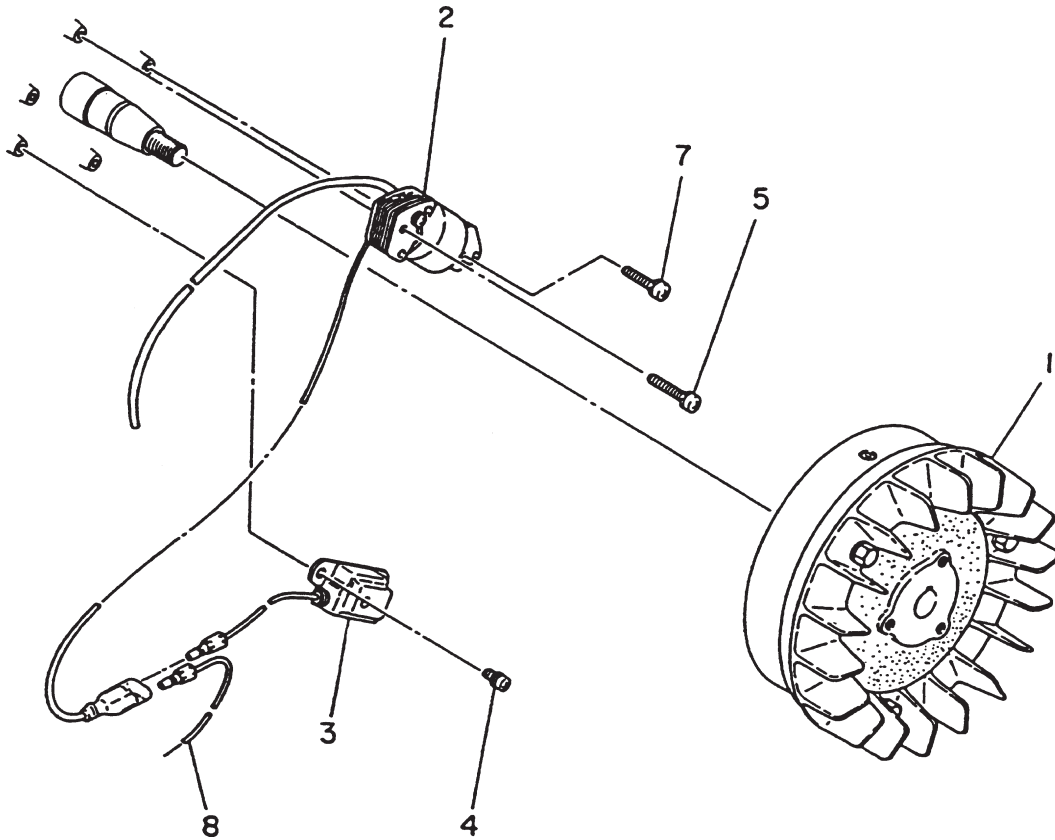
# ROBIN EC-10G ENGINE — RECOIL STARTER ASSY.

## RECOIL STARTER ASSY.

<u>NO.</u>	<u>PART NO.</u>	<u>PART NAME</u>	<u>QTY.</u>	<u>REMARKS</u>
1	1065081310	RECOIL STARTER ASSY. ....	1	INCLUDES ITEMS W/*
2*	1065011608	SPIRAL SPRING	1	
3*	1065018418	REEL COMPLETE	1	
4*	1065011308	STARTER ROPE	1	
5*	2065010108	STARTER KNOB COMPLETE	1	
6*	1065013208	FRICTION SPRING	1	
7*	1065013618	RETURN SPRING	1	
8*	1065012818	RATCHET	2	
9*	1065014408	FRICTION PLATE	1	
10*	1065018508	THRUST WASHER	1	
11*	1065018608	CLAMP	1	
12*	1065018318	STARTING PULLEY	1	
13	0016606120	BOLT AND WASHER ASSY. ....	3	REPLACES 0011006120
14	030206150	SPRING WASHER 6MM .....	4	REPLACES 0032006000
15	0016606120	BOLT	4	

# ROBIN EC-10G ENGINE — MAGNETO ASSY.

MAGNETO ASSY.



# ROBIN EC-10G ENGINE — MAGENTO ASSY.

## MAGNETO ASSY.

<u>NO.</u>	<u>PART NO.</u>	<u>PART NAME</u>	<u>QTY.</u>	<u>REMARKS</u>
		MAGNETO ASSY. ....		NO LONGER AVAILABLE OLD P/N 1067021000
1	1067017508	FLYWHEEL COMPLETE	1	
2	1067011018	GENERATING ASSY. TCI .....	1	REPLACES 1067011008
3	1067024708	T.C.I. UNIT	1	
4	0011305100	BOLT AND WASHER ASSY.	2	
5	0043504250	SCREW AND WASHER ASSY.	1	
7	0043504200	SCREW AND WASHER ASSY.	1	
8	1067330101	WIRE COMPLETE	1	