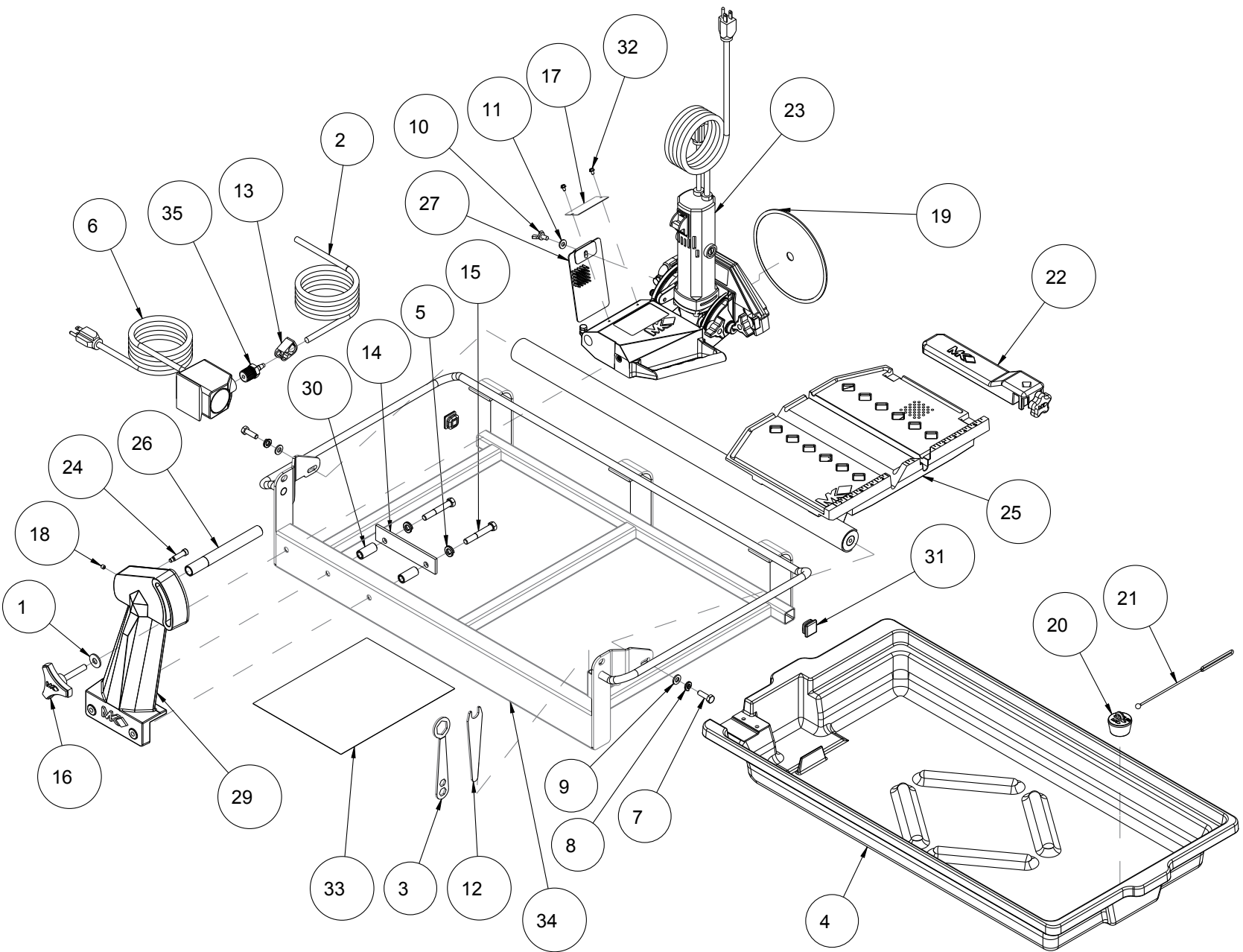

MK-770EXP TILE SAW

PARTS LIST



Revision 207	05.2015
Manual Part No. 160434	

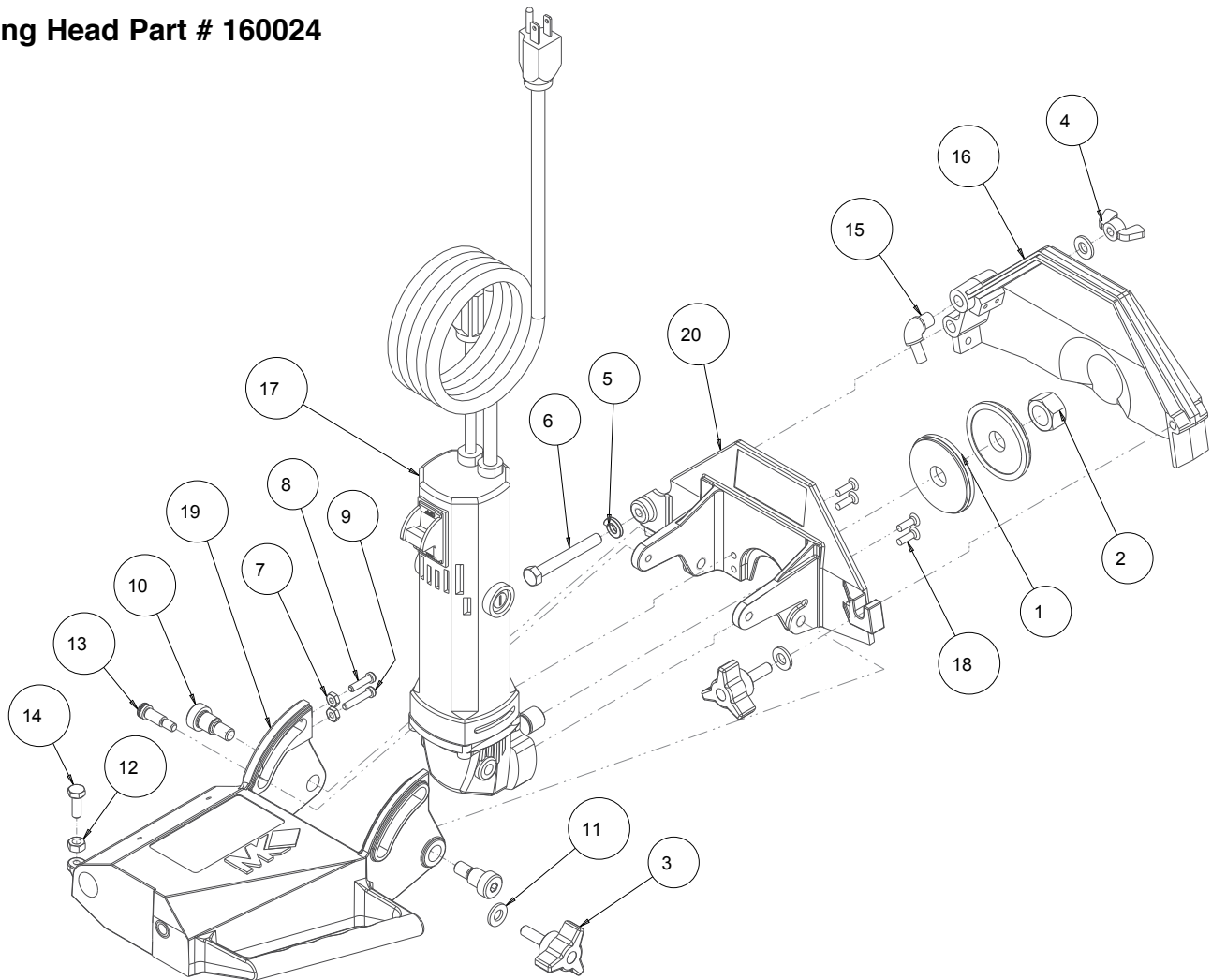
Frame Assembly Part # 160267



Frame Assembly Part # 160267

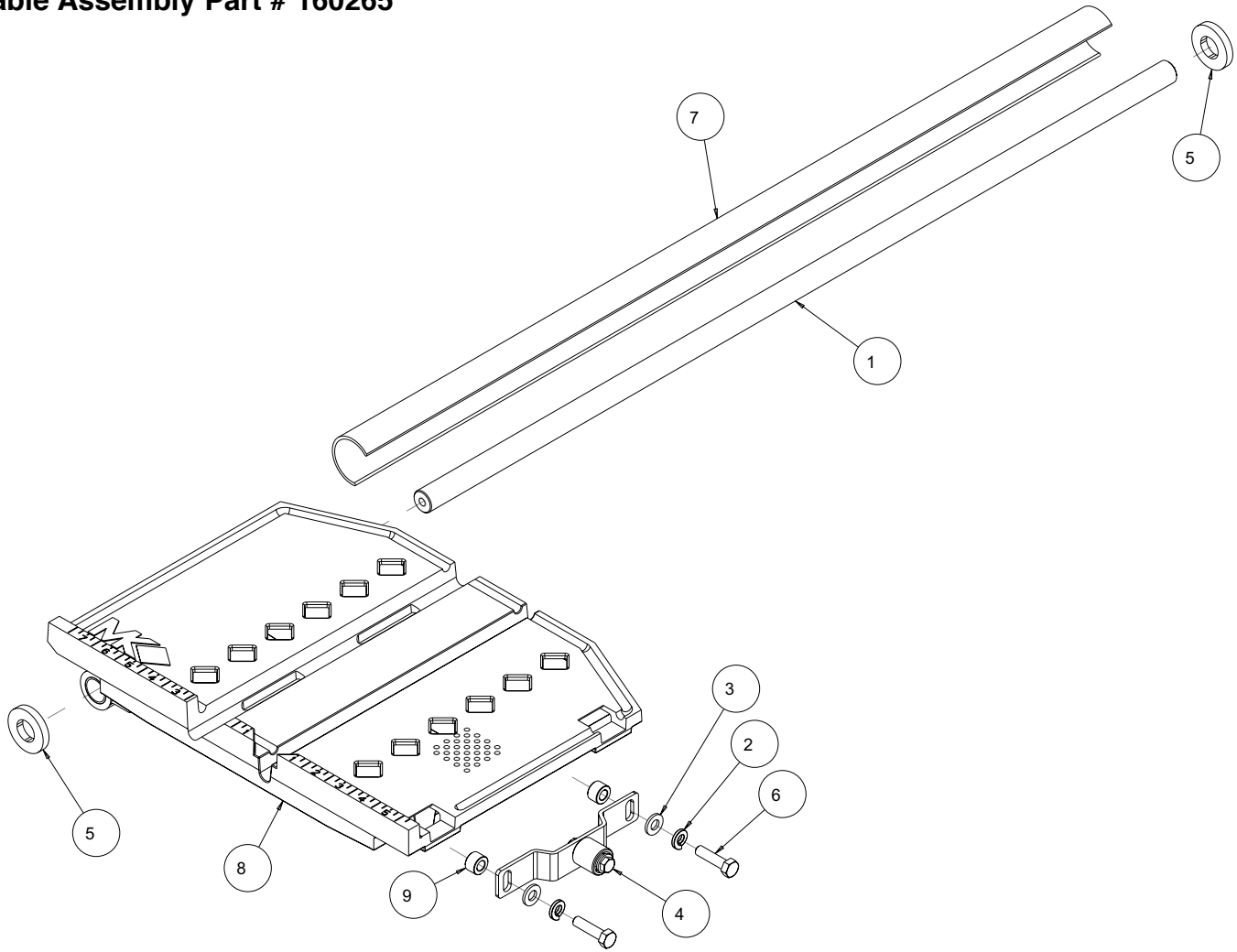
ITEM	DESCRIPTION	PART #	QTY.
1	WASHER, FLAT, USS, 3/8	101360	1
2	HOSE, VINYL, 1/4X3/8 (6.0")	132951	1
3	WRENCH, TILE SAW NUT 15/16	134684	1
4	PAN, PLASTIC MK-101F	150634	1
5	WASHER, LOCK, SPLIT, 3/8	150925	2
6	PUMP, WATER 115V/60HZ UL/CSA	151271-VP	1
7	SCREW, HEX HD, 5/16-18X1	151743	2
8	WASHER, LOCK, SPLIT, 5/16	151747	2
9	WASHER, FLAT, SAE, 5/16	151754	2
10	SCREW, WING, 1/4-20X1/2	151888	1
11	WASHER, FLAT, SAE, 1/4	151915	1
12	WRENCH, TILES AW, 11/16 OPEN END	153450	1
13	CLAMP, HOSE, 1/4-1/2 FLOW	154394	1
14	PLATE, PRESSURE	155671	1
15	SCREW, 3/8-16 X 2-1/2 HEX HEAD CAP	156030	2
16	KNOB, TRI PLASTIC MK-770 2-1/4	156770-04	1
17	TAG, SERIAL NUMBER, BLANK	157500-RW	1
18	SCREW, SOC HD SET 1/4-20 X 1/4	157528	1
19	MK-HDTCM WET 7X060X7/8 CONT	157913	1
20	DRAIN PLUG, W/RING	159529	1
21	STRAP, 9" DRAIN PLUG	159530	1
22	RIP GUIDE, LARGE DIE CAST	159751	1
23	ASSY, CUTTING HEAD, 120V	160042	1
24	SCREW, SHOULDER, 5/16X1	160045	1
25	ASSY, TABLE, 770EXP	160265	1
26	PIN, PIVOT, 770EXP	160265	1
27	GUARD, SPLASH	160310	1
28	ASSY, CARTON MK-770EXP	160433	1
29	CASTING, POST, 770EXP DC-COM	160450	1
30	SPACER, 5/8 X .385 X 1.4	160654	2
31	PLUG, PLASTIC, 1 SQ-14-20-GA	160727-1	2
32	SCREW, QUICK DRIVE, #8-32X1/4	162850	2
33	SHEET, WARNING LABELS, TILE SAW	166012	1
34	FRAME, 10" TILE SAW, 18" RIP	168021	1
35	ADAPTER, 1/2 NPT X 1/4 BARB	168261	1

Cutting Head Part # 160024



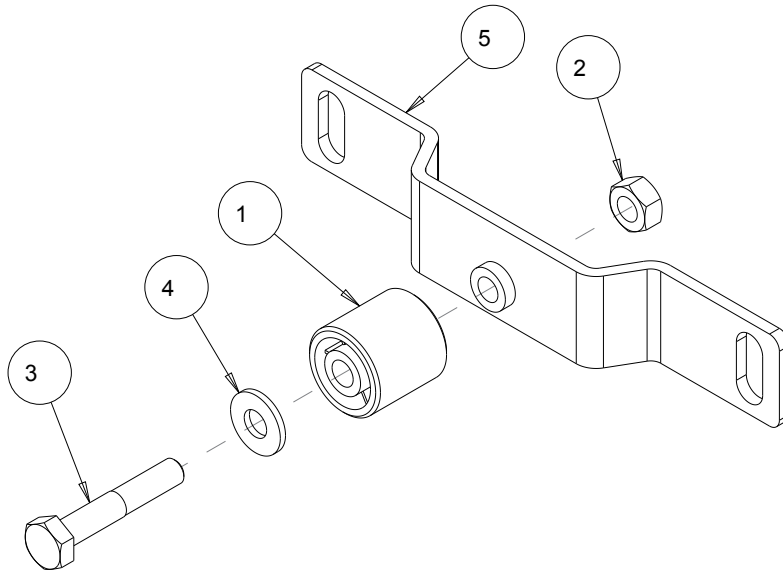
ITEM	DESCRIPTION	PART #	QTY.
1	FLANGE, OUTER, 2-3/8	135830	2
2	NUT, HEX, 5/8-18	135848	1
3	KNOB, DAVIES, 5/16-18 X 1	151681	2
4	NUT, WING, NYLK, 5/16-18	151746	1
5	WASHER, LOCK, SPLIT, 5/16	151747	1
6	BOLT, HEX HD TAP, 5/16-18X2-1/2	151748	1
7	NUT, HEX, 10-24	151749	2
8	SCREW, FIL HD, SLT, #10-24X3/4	151750	1
9	SCREW, FIL HD, SLT, #10-24X1	151751	1
10	SCREW, SHOULDER, 1/2X1/2	151753	2
11	WASHER, FLAT, SAE, 5/16	151754	3
12	NUT, HEX, 1/4-20	151893	1
13	SCREW, SHOULDER, 5/16X5/8	152137	1
14	SCREW, HEX HD, 1/4-20X3/4	152370	1
15	ELBOW, 1/8 MNPT X 1/4 BARB 90DEG	154652	1
16	CASTING, BLD GRD, 7 INCH BLADE (COMP)	154811	1
17	MTR, ELECT, 7.4AMP 120V	156428-R	1
18	SCREW, FLAT HD 10-32 X 5/8"	157554	4
19	CASTING, COMMON PART, CTTG HD-C	159937	1
20	CASTING, MTR MOUNT, COMMON-COMP	159941	1

Table Assembly Part # 160265



ITEM	DESCRIPTION	PART #	QTY.
1	BAR, GUIDE PLATED MK-101	134759	1
2	WASHER, LOCK, SPLIT, 5/16	151747	2
3	WASHER, FLAT, SAE, 5/16	151754	2
4	ASSY, WHEEL BRKT TSAW	151756	1
5	SPACER, GUIDE BAR COVER, COMMON	152393	2
6	SCREW, HEX HD, 5/16-18X1-1/4	153950	2
7	COVER, GUIDE BAR, 120 DEG	158403	1
8	CASTING, TABLE, 370/770EXP-COMP	159939	1
9	SPACER, 5/8 X 5/16 X 5/8	160264	2

Roller Part # 151756



ITEM	DESCRIPTION	PART #	QTY.
1	WHEEL, ROLLER TSAW	151799	1
2	NUT, HEX HEAD 1/4-20 X 1-1/2"	151893	1
3	SCREW, HEX HEAD 1/4-20 X 1-1/2"	151914	1
4	WASHER, FLAT, SAE, 1/4	151915	1
5	BRACKET, ROLLER WHEEL	154021	1

ITEM	NUMBER	DESCRIPTION	
1.	139295	MK-200, 7 x 5/8 Arbor	
2.	139311	MK-215, 7 x 5/8 Arbor	
3.	153293	MK-315, 7 x 5/8 Arbor	
5.	134577-MK	Dual 45° Flat Angle Guide	
6.	134569-MK	90° Protractor	
7.	152792	Dressing Stone	
8.	160488	Side Table	
9.	151889	Folding Stand	