
BX-3 MASONRY SAW PARTS LIST

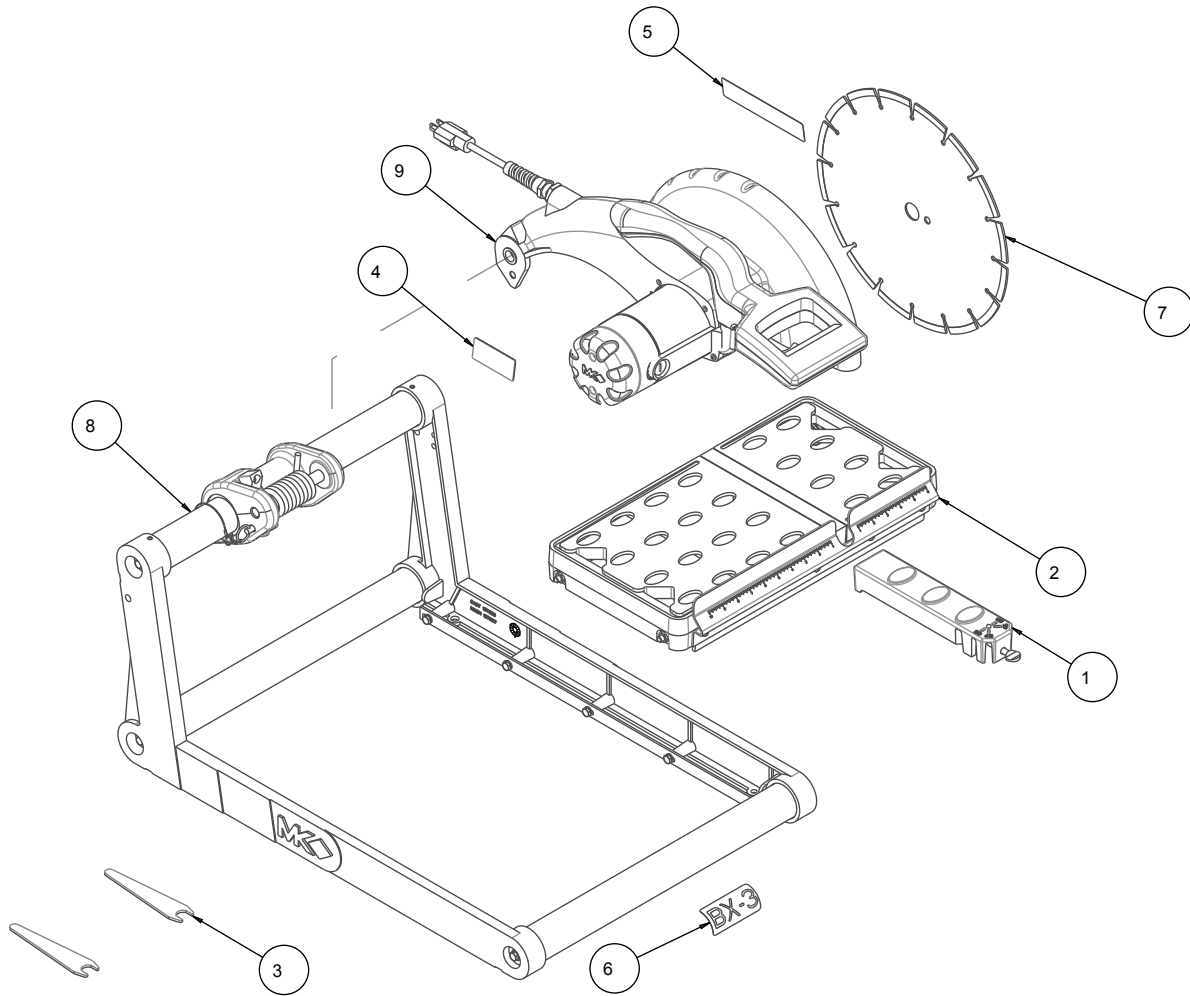
MODELS
BX-3 (Dry)

PART #
157721X



Revision 108	12.2019
Manual Part No. 158168	

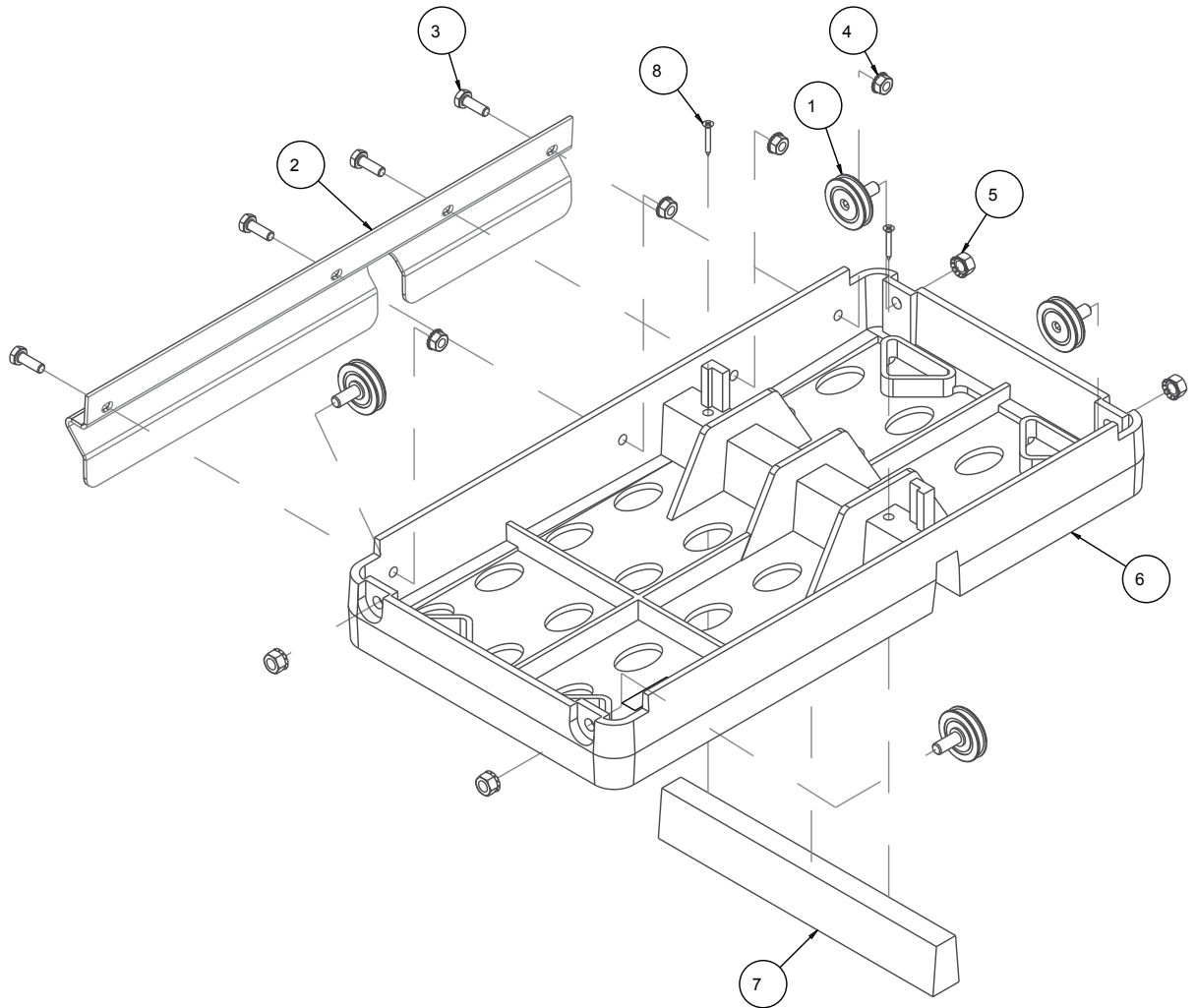
BX-3 SAW - P/N 157721X



BX-3 SAW - P/N 157721X

Item	Description	Part #	Qty
1	RIP GUIDE, BRICK/BLOCK SAW	132332-MK	1
2	ASSY, CONVYR CART	133082	1
3	WRENCH, TILSAW, 11/16 OPEN END	153450	1
4	TAG, SERIAL NUMBER, BLANK	157500-rw	1
5	LABEL, BRICK XTREME	157958	1
6	LABEL, BX3	157959	1
7	CONTRACTOR GRADE 14X125X1 10MM	166308	1
8	ASSY, FRAME, BX3	171265	1
9	ASSY, CUTTING HEAD, BX3	171266	1

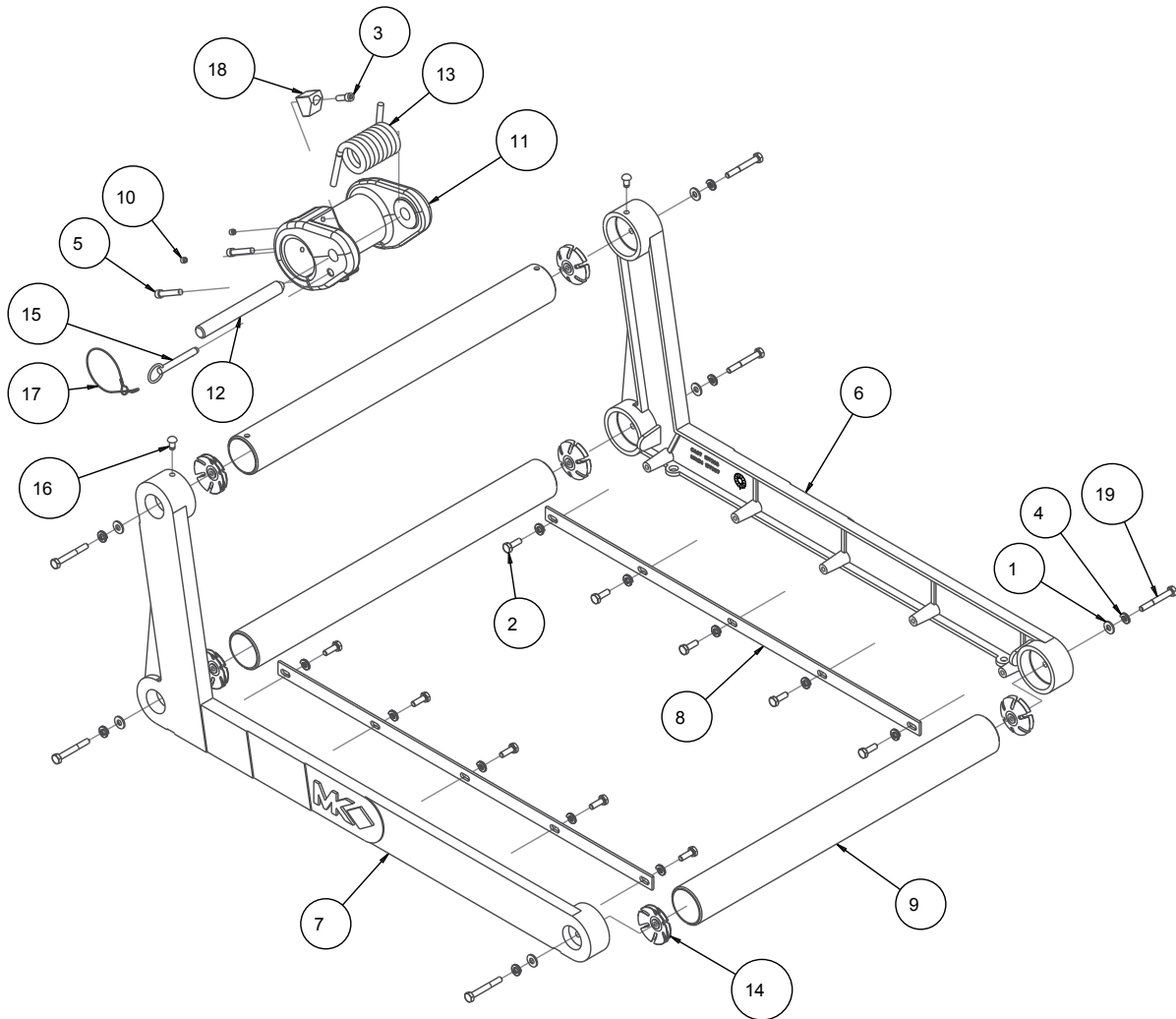
ASSY, CONVYR CART BX-3 - P/N 133082



ASSY, CONVYR CART BX-3 - P/N 133082

Item	Description	Part #	Qty
1	WHEEL, CONVEYOR CART	133090	4
2	BACKSTOP, CONVEYOR CART	134387	1
3	SCREW, HEX HD, 1/4-20 X3/4	152370	4
4	NUT, HEX, TW, 1/4-20	153941	4
5	NUT, HEX TW, 5/15-18	153942	4
6	TABLE, D.C. COMP	158144	1
7	WOOD STRIP, TABLE INSERT	158283	1
8	SCREW, DRYWL, FLAT, HD #6X1	159906	2

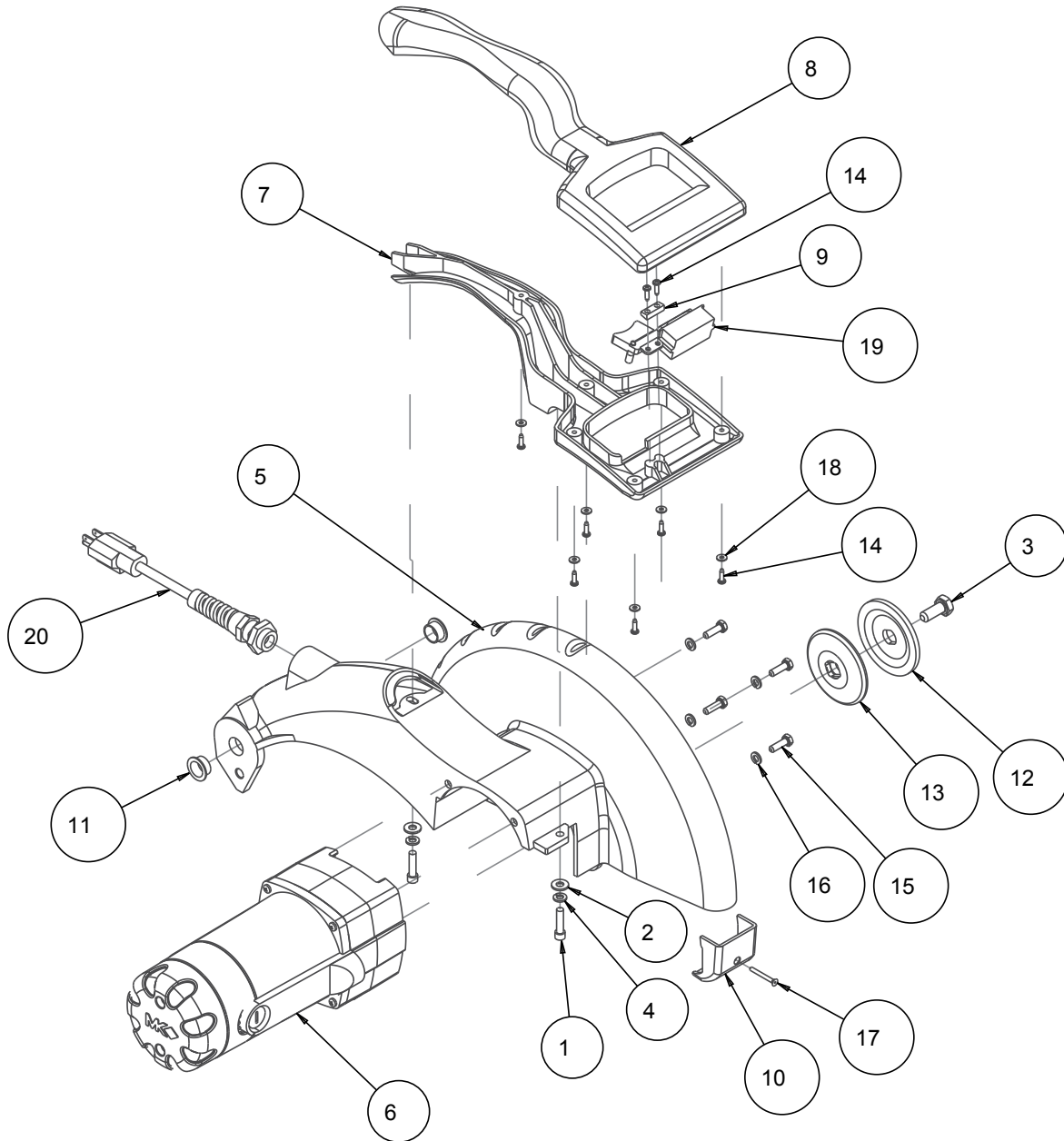
ASSY, FRAME BX-3 - P/N 171265



ASSY, FRAME BX-3 - P/N 171265

Item	Description	Part #	Qty
1	WASHER, FLAT, SAE, 1/4	151915	6
2	SCREW, HEX HD, 1/4-20X3/4	152370	10
3	SCREW, 1/4-20 X 3/4 SOCKET HEAD CAP	152587	1
4	WASHER, LOCK, SPLIT, 1/4	152591	16
5	SCREW, SOC HD CAP, 1/4-20 X 1	154683	2
6	DC FRAME, RIGHT (COMP)	157367	1
7	DC FRAME, LEFT (COMP)	157369	1
8	RAIL, TABLE GUIDE	157383	2
9	SUPPORT, HORIZ FRAME	157384	3
10	SCREW, SET, 1/4-20X 1/4	157528	2
11	CLAMP, PIVOT (COMP)	157593	1
12	PIN, PIVOT	157645	1
13	SPRING, TORSION	157702	1
14	TUBE CONNECTOR 1/4-20	157930	6
15	PIN, DETENT, W/RING PULL	157933	1
16	STUD, GROOVED, #16X1/2	158071	2
17	LANYARD, 3/64X8" GALVNZD STEEL	158072	1
18	BLOCK, STOP	158226	1
19	SCREW, HEX HD 1/4-20 X 2	158282	6

BX-3 - ASSY, CUTTING HEAD P/N 171266



SUBSTITUTION TABLE		157599	157801-C
P/N	DESCRIPTION		
171266-W	ASSY, CUT HEAD, BX3-WET	157599-W	SAME

BX-3 - ASSY, CUTTING HEAD P/N 171266

Item	Description	Part #	Qty
1	SCREW, SOC HD CAP, 1/4-20 X 1	151049	2
2	WASHER, FLAT, SAE, 1/4	151915	2
3	SCREW, M10X1/5 HEX HD CAP	152272	1
4	WASHER, LOCK, SPLIT, 1/4	152591	2
5	ARM, MOTOR MOUNT (COMP)	157599	1
6	MTR, 115V, 15A, AC	157801-C	1
7	HANDLE, LOWER	157875	1
8	HANDLE, UPPER	157874	1
9	PLATE, SWITCH MOUNTING	157876	1
10	WIRE COVER, BX3	157880	1
11	BUSHING, FLANGE	157932	2
12	FLANGE, OUTER	158105	1
13	FLANGE, Ø 3.0 INNER	158106	1
14	SCREW, PAN HD, M3.5X12MM	158156	8
15	SCREW, HEX HEAD CAP, M6X1X20MM	158158	4
16	WASHER, LOCK, SPLIT, M6	158159	4
17	SCREW, FLAT HD, ALN, #6-32X1-1/4	158160	1
18	WASHER, FLAT, SAE, #6	158231	6
19	ASSY, SWITCH	158323-MK	1
20	HARNESS, WIRE	158329-R	1