



HEARTH PRODUCTS



MP-420D



MP-360D

RETAIN THESE INSTRUCTIONS FOR FUTURE REFERENCE

VEUILLEZ GARDER CE MANUEL POUR RÉFÉRENCE FUTURE.

NATIONAL FIREPLACE INSTITUTE



CERTIFIED

www.nficertified.org

We recommend that our woodburning hearth products be installed and serviced by professionals who are certified in the U.S. by the National Fireplace Institute® (NFI) as NFI Woodburning Specialists or who are certified in Canada by Wood Energy Technical Training (WETT).



Tested & Listed By



Beaverton Oregon USA

OMNI-Test Laboratories, Inc.

OTL Report No. (MP-360D) #116-F-35-2 (MP-420D) #116-F-37-2

HOMEOWNER'S CARE AND OPERATION INSTRUCTIONS

MERIT® PLUS SERIES

36" and 42" Indoor/Outdoor Wood-Burning Fireplaces
P/N 875029M Rev. B 10/2011

MODELS

MP-360D

MP-420D

The information contained in this manual applies to all model fireplaces identified on this page. This information will help you obtain safe and dependable service from your Lennox fireplace system. Keep this document in a safe place for future reference.

Before you start your first fire, read this Care and Operations Manual carefully to be sure you understand your fireplace system completely. Failure to follow these suggestions could result in hazardous operation or fireplace malfunction, creating a serious potential for personal injury and/or property damage.

If you have any questions regarding the safe use or operation of your fireplace, contact your local Lennox distributor, or your contractor / builder.

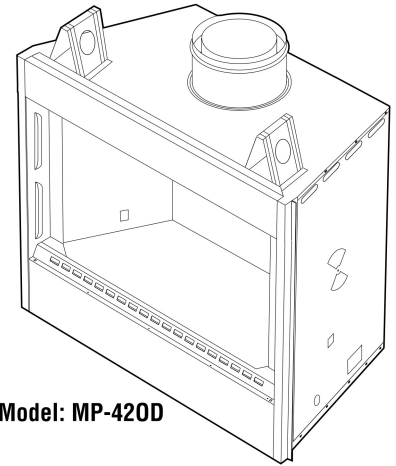
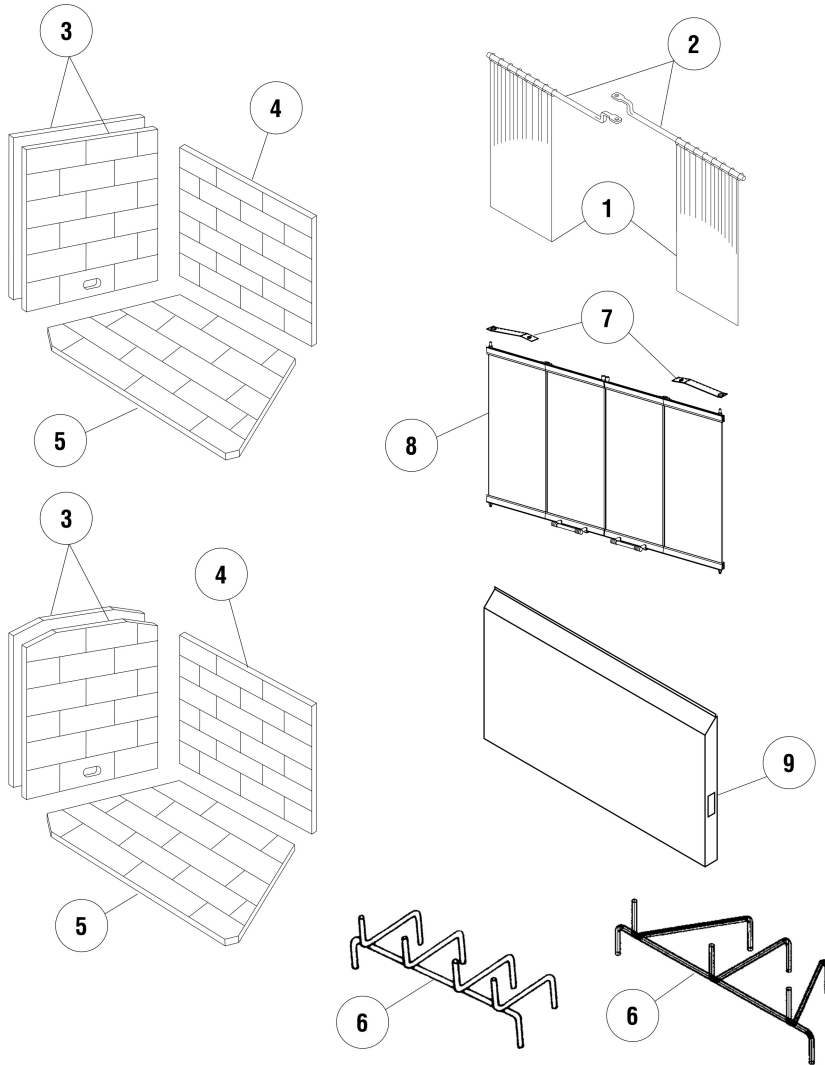
A French manual is available upon request. Order P/N 875029CF.

Ce manuel d'installation est disponible en francais, simplement en faire la demande. Numéro de la pièce 875,029CF.

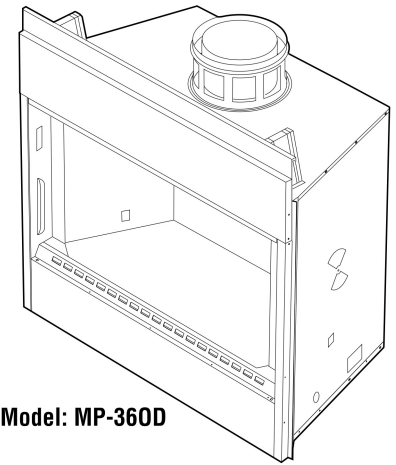
WARNING: EXERCISE CAUTION WHEN OPERATING IF INSTALLED OUTDOORS. DO NOT BURN LARGE FIRES. ATMOSPHERIC CHANGES MAY CAUSE UNEXPECTED GUSTS OF WIND. FLAMES AND ASHES MAY BE BLOWN OUT OF THE FIREPLACE. KEEP THE SCREEN CURTAINS CLOSED AT ALL TIMES AFTER FEEDING THE FIRE.

AVERTISSEMENT: EXERCISE GARANTIE WHEN OPERATING IF THIS APPLIANCE IS INSTALLED OUTDOORS. BROAD C NOT BURN FIRES. ATMOSPHERIC EXCHANGES MAY CAUSES UNEXPECTED GUSTS OF WIND. FLAMES AND ASHES MAY BE BLOWN OUT OF THE FIREPLACE. KEEP THE SCREEN CURTAINS CLOSED AT ALL.

REPLACEMENT PARTS



Model: MP-420D



Model: MP-360D

Item No.	Description	Model: MP-360D		Model: MP-420D	
		Part No.	Qty.	Part No.	Qty.
	Wood Fireplace Assembly	H1933	1	H1934	1
1.	Firescreen	H1963	2	H1971	2
2.	Rod, Screen	88L95	2	88L95	2
3.	Refractory, Side	LB-96795	2	LB-96798	2
4.	Refractory, Rear	LB-96796	1	LB-96799	1
5.	Refractory Base	LB-96794	1	LB-96797	1
6.	Grate	H1962	1	H1973	1
7.	Spring, Support	H1965	1	H1965	1
8.	Bi-Fold Door, Brushed Stainless	H1937	1	H1938	1
9.	Weather Cover, Brushed Stainless	H1935	1	H1936	1

NOTE: DIAGRAMS & ILLUSTRATIONS ARE NOT TO SCALE.