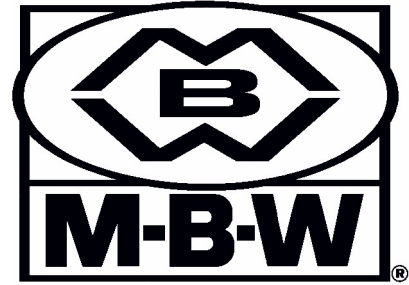


# OPERATOR'S SAFETY AND SERVICE MANUAL



## EXA ROLLERS

This manual covers the following serial numbers and higher for each model listed:

EXA18 / EXAL18 . . . . . 4030065



## BOOM MOUNTED VIBRATORY WHEELS

**MBW, Inc.**  
250 Hartford Rd • PO Box 440  
Slinger, WI 53086-0440  
Phone: (262) 644-5234  
Fax: (262) 644-5169  
Email: [mbw@mbw.com](mailto:mbw@mbw.com)  
Website: [www.mbw.com](http://www.mbw.com)

**MBW (UK) Ltd.**  
Units 2&3 Cochrane Street  
Bolton BL3 6BN  
England, UK  
Phone: 44 (0) 01204 387784  
Fax: 44 (0) 01204 387797  
E-mail: [mbwuk@btinternet.com](mailto:mbwuk@btinternet.com)

**MBW FRANCE S.A.R.L.**  
Z.A. d'Outreville  
11 Rue Jean Baptiste Néron,  
60540 BORNEL  
France  
Email: [mbwfrance@free.fr](mailto:mbwfrance@free.fr)  
Phone: +33 (0) 3 44 07 15 96  
Fax: +33 (0) 3 44 07 41 28

L13020 / 11.13 C  
©MBW, Inc. 2013  
Printed in the USA

## OPERATING INSTRUCTIONS

1. Back Pressure in return lines MUST NOT EXCEED 200 PSI.
2. Hydraulic Requirements:  
Pressure 1500–3000 psi  
Volume 10–40 GPM
3. Check for loose hardware after every 20 hours of operation.
4. Do not run exciter when attachment is not in contact with backfill.
5. Not recommended for use on excavators over 20,000 lbs.

15861

10861

U.S. PATENT 5,244,306  
U.S. PATENTS PENDING

13066

13066

MBW INC.  
250 HARTFORD ROAD  
P.O. BOX 440  
SLINGER, WI 53086  
PHONE: 262-644-5234  
FAX: 262-644-5169

# EXAPTL 18

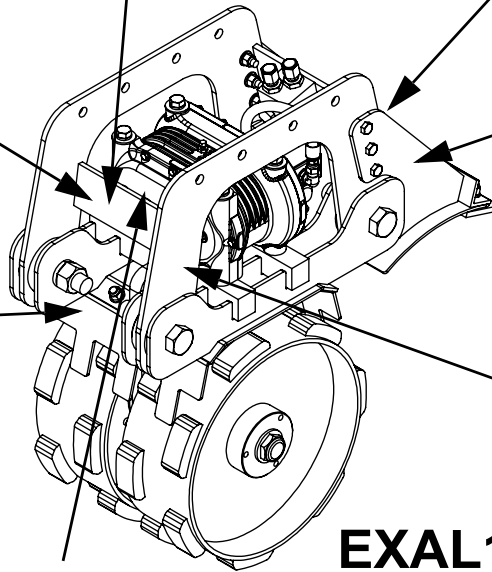
15860



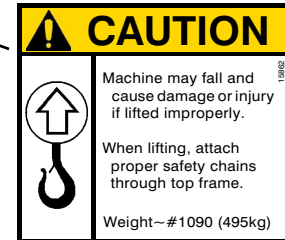
09867 \*



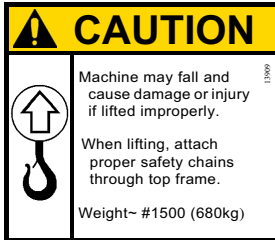
13019



## EXAL18



15862



13909



09311\*

MBW INC.  
250 HARTFORD ROAD  
P.O. BOX 440  
SLINGER, WI 53086  
PHONE: 262-644-5234  
FAX: 262-644-5169

# EXA 18

13718

13718

U.S. PATENT 5,244,306  
U.S. PATENTS PENDING

13066

13066



09867\*

## OPERATING INSTRUCTIONS

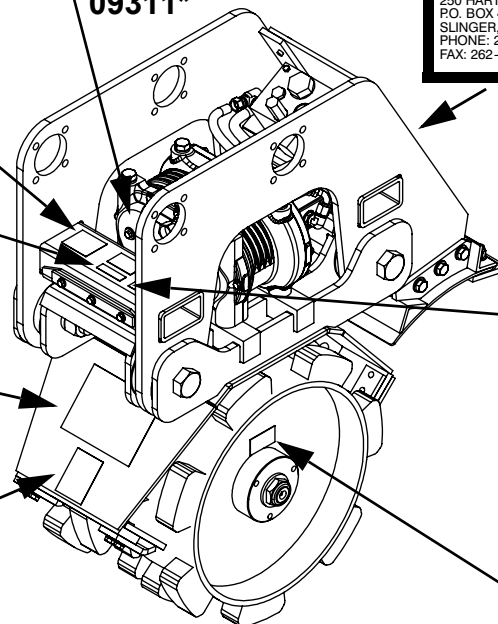
1. Back Pressure in return lines MUST NOT EXCEED 200 PSI.
2. Hydraulic Requirements:  
Pressure 1500–3000 psi  
Volume 10–40 GPM
3. Check for loose hardware after every 20 hours of operation.
4. Do not run exciter when attachment is not in contact with backfill.
5. Not recommended for use on excavators over 50,000 lbs.

13719

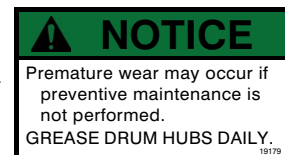
13719



13019



## EXA18

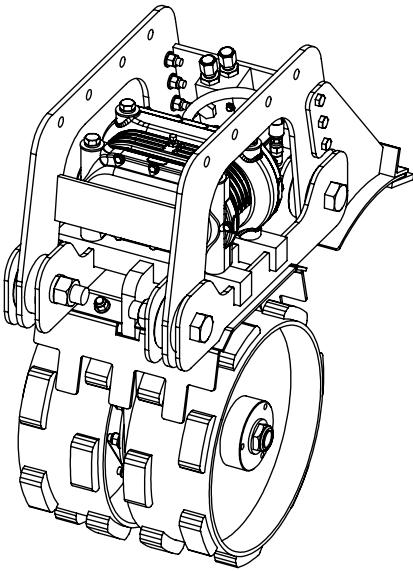


19179

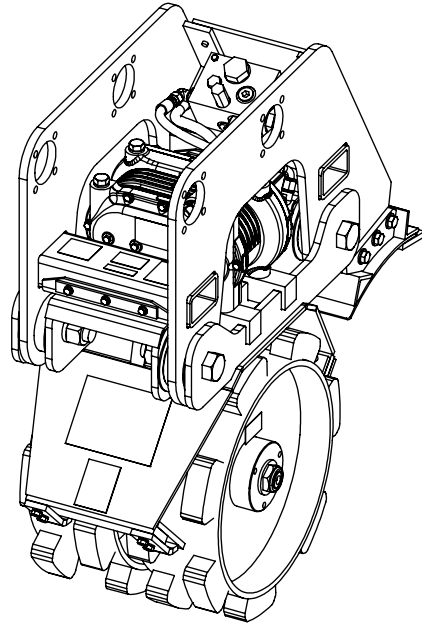
Safety Decals (Decal Set #13047)

\*NOT IN DECAL SET

# SPECIFICATIONS



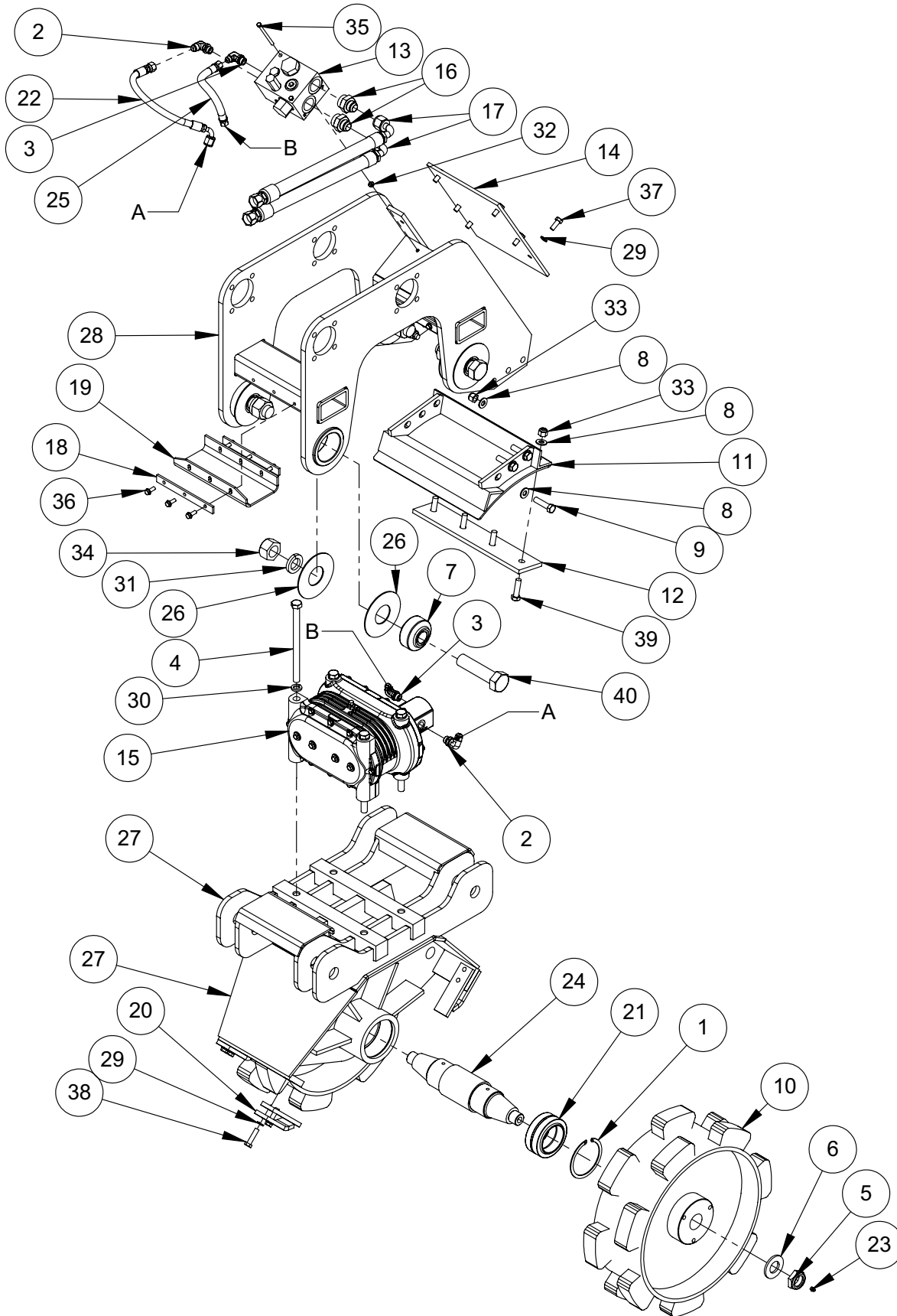
EXAL18 FLAT TOP



EXA18 PIN MOUNT

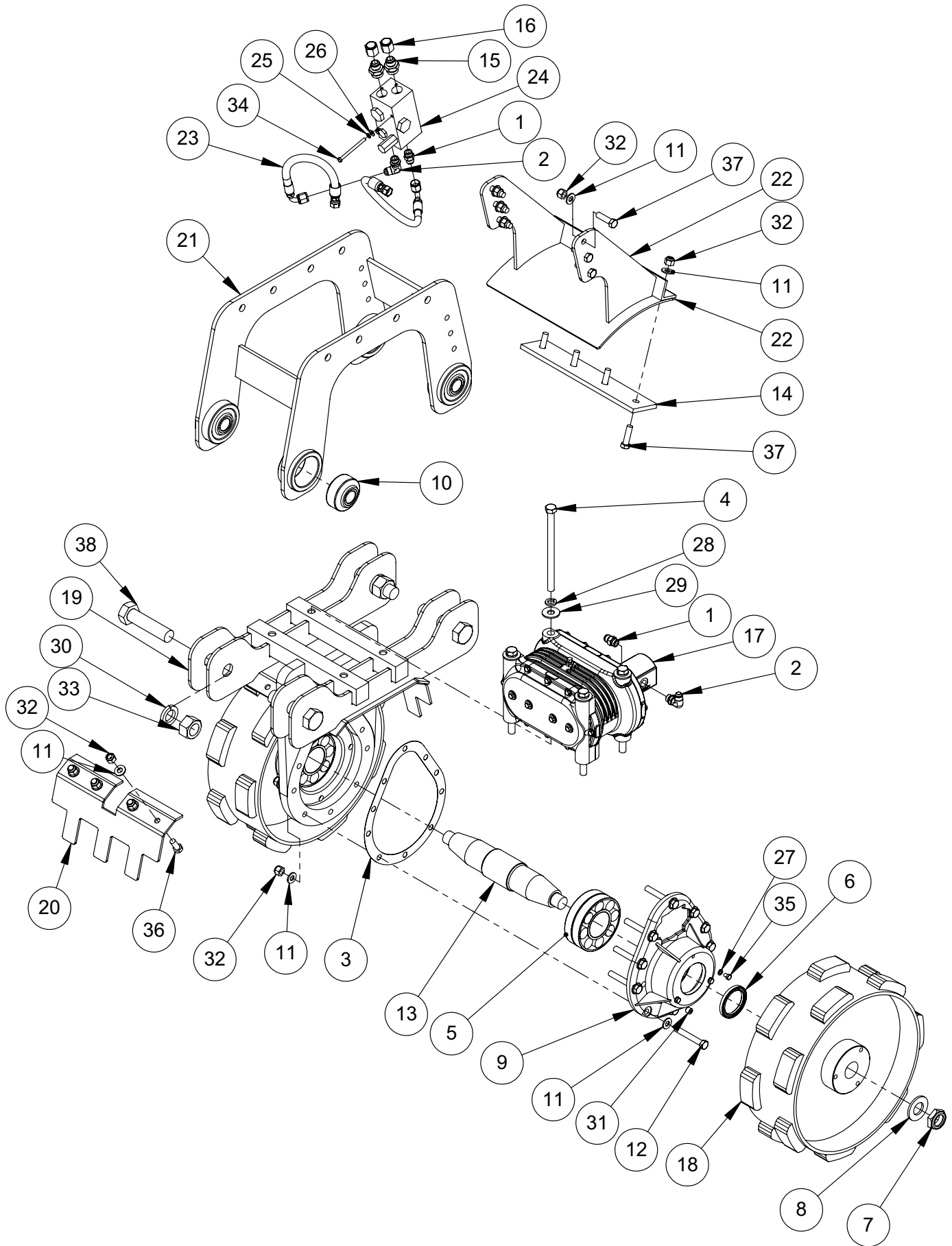
	EXAL18	EXA18
<b>Static Weight</b>	1090 LBS (553 KG)	1515 LBS (687 KG)
<b>Working Width</b>	18" (46 cm)	
<b>Drum Diameter</b>	25" (64 cm)	
<b>Length</b>	41" (104 cm)	43" (110 cm)
<b>Height</b>	47" (119 cm)	48" (122 cm)
<b>Exciter Speed</b>	2600 vpm	2600 vpm
<b>Centrifugal force</b>	5800 lbf(26kN)	
<b>Compaction Depth</b>	24" (610 cm)	
<b>Hydraulic requirements:</b>		
<b>Minimum Pressure:</b>	1500 psi	
<b>Volume:</b>	10-40gpm (38-190 Lpm)	10-70 gpm (38-265 Lpm)

Specifications subject to change without notice



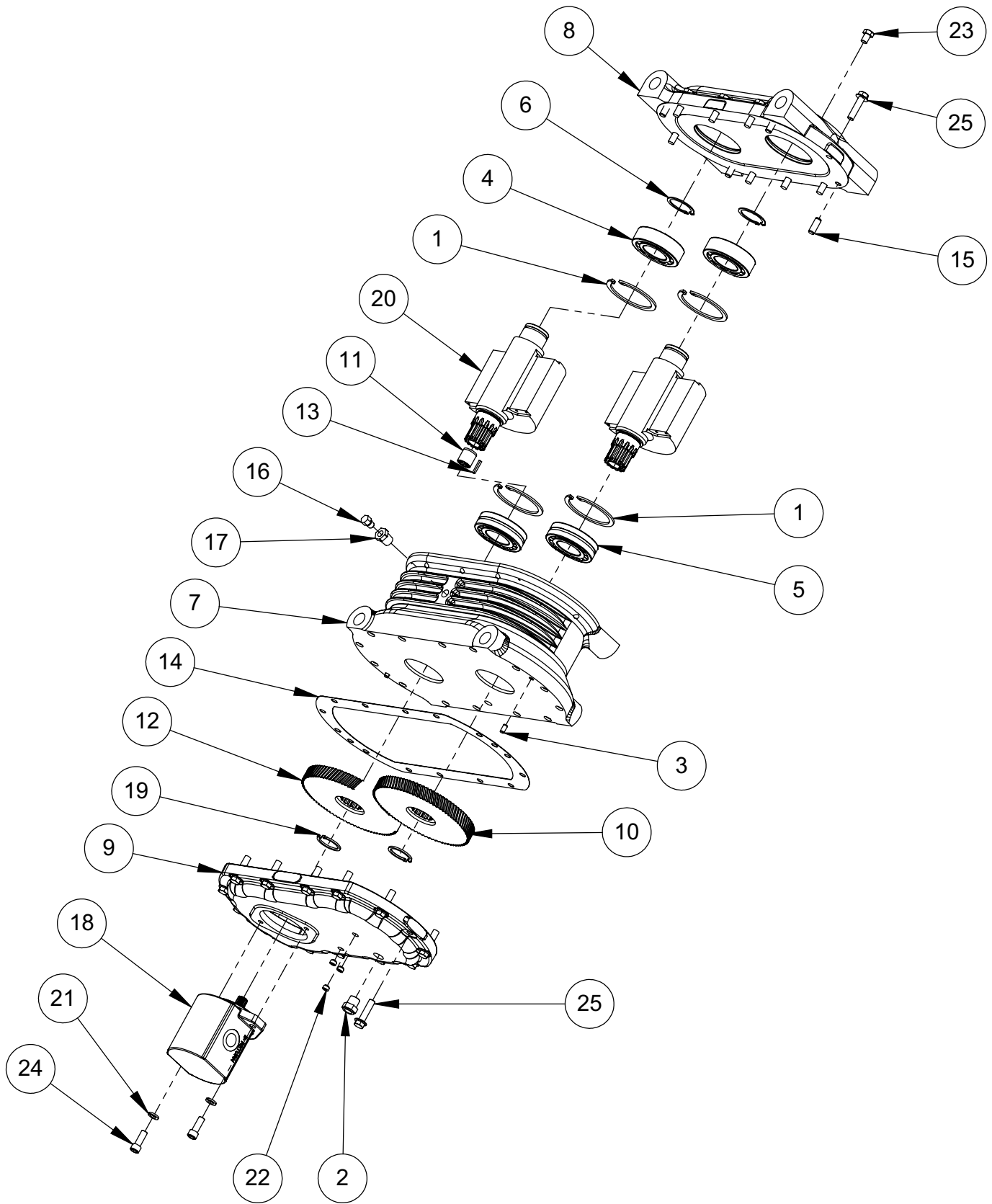
**EXA18 Main Assembly**

ITEM	PART NO.	DESCRIPTION	QTY
1.	08025	RETAINING RING, INT N5000-500	2
2.	08226	FITTING, ELBOW	2
3.	08730	FITTING, ELBOW	2
4.	09750	HHCS, 3/4-16 X 11	4
5.	09935	NUT, STOP ELASTIC, THIN 1-1/2-12	2
6.	09936	WASHER	2
7.	12681	MOUNT, TORSION	4
8.	13451	WASHER, 5/8 STRUCTUAL	16
9.	13454	HHCS, 5/8-18 X 2-1/2	6
10.	13633	DRUM, 18" PADDED	2
11.	13638	BLADE, 18" EXA	1
12.	13644	BLADE, SCRAPER, 18"	1
13.	20446	VALVE, FLOW REG, EXA18	1
14.	13901	COVER, FRONT EXA	1
15.	13911	EXCITER, EXA18	1
16.	14817	FITTING,	2
17.	18845	HOSE, 1 x 18, SHORT ELBOW	2
18.	18812	STRIP, CLAMPING	4
19.	18817	MAT, RUBBER	2
20.	18837	SCRAPER TOOTH, WELDED, 2.0	4
21.	19290	BEARING, SPHERICAL PLAIN	2
22.	20807	HOSE, HYDRAULIC	1
23.	20809	GREASE FITTING, 1/8 NPT	2
24.	20810	AXLE, EXA18	1
25.	20811	HOSE, HYDRUALIC RETURN	1
26.	20812	WEAR SHIM	8
27.	20813	LOWER FRAME, EXA18	1
28.	20820	FRAME, UPPER EXA (PIN MOUNT)	1
29.	20445 F08LW	FRAME, UPPER EXA (FLAT TOP) LOCKWASHER, 1/2	1 14
30.	F12LW	LOCKWASHER, 3/4	4
31.	F24LW	LOCKWASHER, 1-1/2	4
32.	F0518FN	NUT, FLANGE WHIZ-LOCK 5/16-18	2
33.	F1018ELN	LOCKNUT, 5/8-18 NYLOC	10
34.	F2406HN	NUT, HEX 1-1/2-6	4
35.	F051836HCS	HHCS, 5/16-18 X 4-1/2	2
36.	F061608FWS	FWLS, 3/8-16 X 1	12
37.	F081310HCS	HHCS, 1/2-13 X 1-1/4	6
38.	F081316	HHCS, 1/2-13 X 2	8
39.	F101818	HHCS, 5/8-18 X 2-1/4	4
40.	F240648HCS	HHCS, 1-1/2-6 X 6	4



**EXAL18 Main Assembly**





**Exciter**

