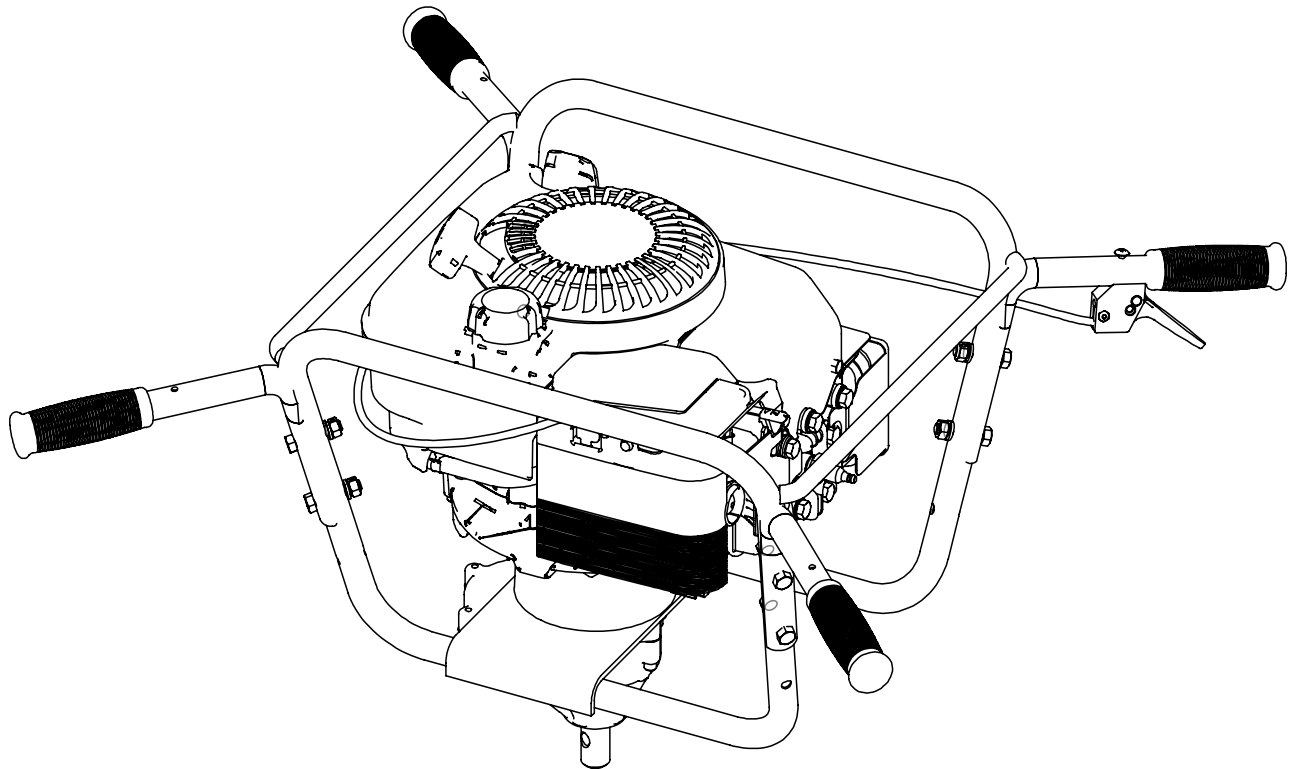




Operator's Manual  
Original Operating Instructions  
**Two-Man  
Earth Auger Powerhead  
9800 Series**

SN

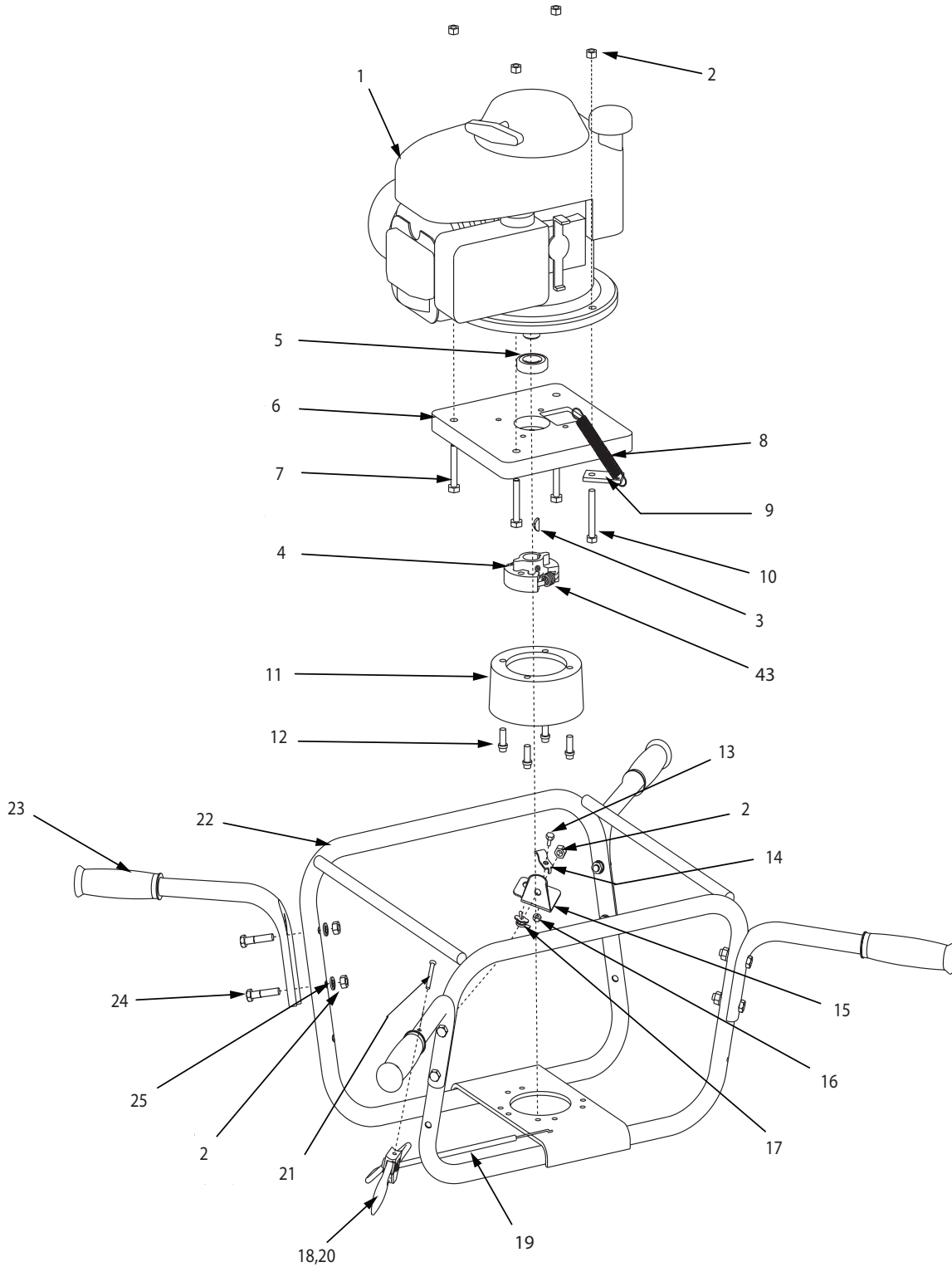


Includes models:  
9800B  
9800H  
9800BCE (European)

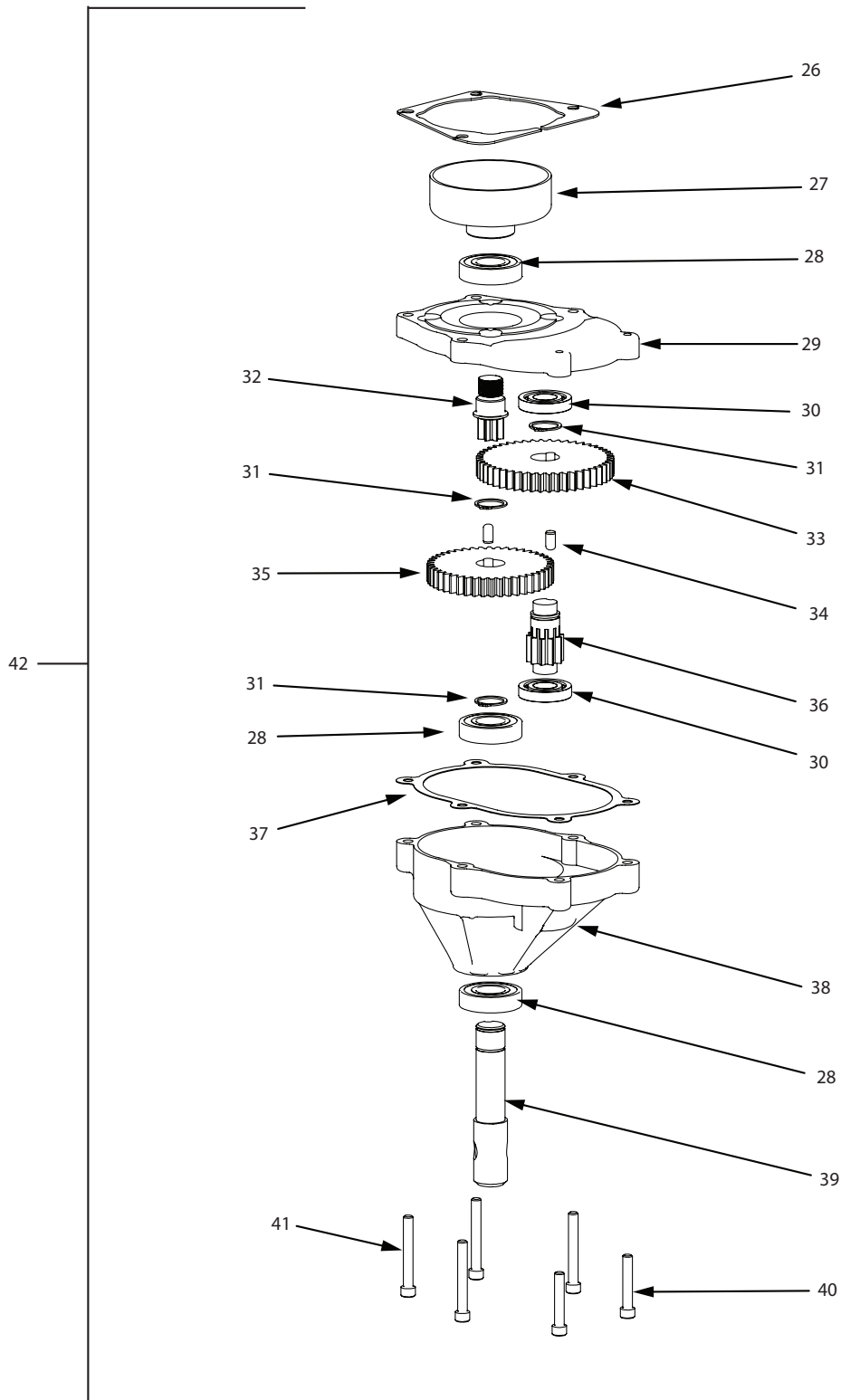


P/N: 19713  
ECN:10322  
REV1: 05/01/14  
© 2014 Ardisam, Inc.  
All Rights Reserved

## 9800B/9800BCE/9800H EARTH AUGER POWERHEAD ILLUSTRATED PARTS BREAKDOWN



## 9800B/9800BCE/9800H EARTH AUGER POWERHEAD ILLUSTRATED PARTS BREAKDOWN



**9800B/9800BCE/9800H EARTH AUGER POWERHEAD ILLUSTRATED PARTS BREAKDOWN**

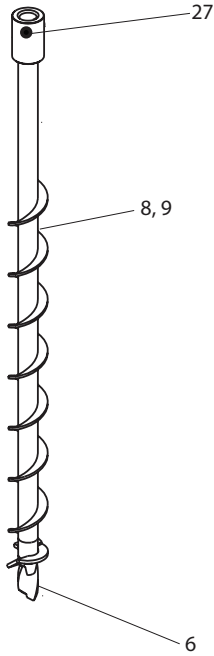
ITEM NO.	PART NO.	DESCRIPTION	QTY.
1	*	ENGINE, BRIGGS 675 SERIES (9800B)	1
	*	ENGINE, BRIGGS 675 SERIES CE (9800BCE)	1
	*	ENGINE, 160CC HONDA (9800H)	1
2	60G56	NUT, LOCK, (5/16-18 BI-WAY) (9800B, 9800BCE)	8
	60G56	NUT, LOCK, (5/16-18 BI-WAY) (9800H MODEL)	12
3	WK6	KEY, WOODRUFF (#6, 5/32 X 5/8")	1
4	9825	ROTOR CENTRIFUGAL CLUTCH	1
5	9822	BEARING, BALL (R14-2RS) (9800H ONLY)	1
6	9840	PLATE ADAPTER, MOUNTING RING (9800H ONLY)	1
7	1423	BOLT, (5/16-18 X 2" HHCS GR5) (9800H ONLY)	3
8	9832	SPRING, THROTTLE CONTROL (9800H ONLY)	1
9	53664	TAB, THROTTLE (9800H ONLY)	1
10	48300	BOLT, (5/16 X-18 X 2 1/4" HHCS GR5) (9800H ONLY)	1
11	9837A	MOUNT RING COMPLETE 9800 SERIES	1
12	420	BOLT, (5/16-24 X 3/4" PFCS)	4
13	IB5810	BOLT, (5MM X 0.8 X 10MM HH) (9800H ONLY)	1
14	53596A	CLAMP, CABLE (YELLOW ZINC) (9800H ONLY)	1
15	9841	BRACKET, THROTTLE CABLE CLAMP (9800H ONLY)	1
16	IN58	NUT, (5MM X 0.8 X 10MM HH) (9800H ONLY)	1
17	60G70	SWITCH, TOGGLE, (ON-OFF) (9800H ONLY)	1
18	4819	TRIGGER ASSEMBLY, LONG THROW (INCLUDES P/N 4814) (9800H ONLY)	
19	9805A	CABLE (NO TRIGGER) (9800H ONLY)	
20	9801	CABLE THROTTLE W/TRIGGER (9800B/9800BCE ONLY)	
21	4814	BOLT, (10-24 X 1 1/4" PHILLIPS TRUSS HEAD)	1
22	9819	WELDMENT, FRAME 9800	1
23	9827	HANDLE AND THROTTLE GRIP 9800	4

ITEM NO.	PART NO.	DESCRIPTION	QTY.
24	503	BOLT (5/16-18 X 1-1/2 HH)	8
25	504	LOCKWASHER SPRING (5/16")	8
26	3004149	SHIM, (9800 TRANSMISSION TOP)	1
27	9016	CLUTCH DRUM, (3" THREADED) (9800H ONLY)	1
	9018	CLUTCH DRUM, (3" THREADED SHORT) (9800B, 9800BCE ONLY)	1
28	8922	BEARING, BALL (R12 DOUBLE LIP)	3
29	75300	KIT, GEAR CASE, UPPER HALF (INCLUDES BEARINGS 8922, 8923, SHIM 3004149, AND GASKET 8919)	1
30	8923	BEARING, BALL R10	2
31	8924	RING, SNAP EXTERNAL (3/4")	3
32	9814	GEAR, PINION (7 TOOTH THREADED)	1
33	8914	GEAR, (48 TOOTH HARD)	1
34	8915	DOWEL PIN, STEEL (1/4 X 1/2")	2
35	8912	GEAR, (44 TOOTH 3/4 HOLE)	1
36	9214A	GEAR, (10 TOOTH CLUSTER PINION, HT)	1
37	8919	GASKET, POWERHEAD TRANSMISSION	1
38	75600	KIT, GEAR CASE, LOWER HALF, (INCLUDES BEARINGS 8922, 8923, AND POWERHEAD TRANSMISSION GASKET 8919)	1
39	8913	SHAFT, OUTPUT (7/8")	1
40	8929	BOLT, (1/4-20 X 1 1/2" SHCS)	2
41	8935	BOLT, (1/4-20 X 2 1/2" SHCS)	4
42	9800BTRANKIT	KIT, TRANSMISSION ASSEMBLY (9800B/9800BCE ONLY)	1
	98005	KIT, TRANSMISSION ASSEMBLY (9800H ONLY)	1
43	9020A	SPRING, CENTRIFUGAL CLUTCH	2

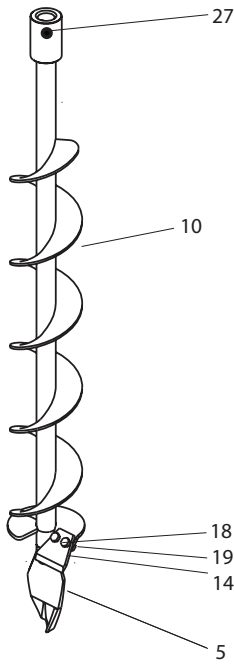
\* Contact you local engine dealer for parts and service. Contact information can be found in the engine manual accompanying this product.

## AUGER PARTS ILLUSTRATED PARTS BREAKDOWN

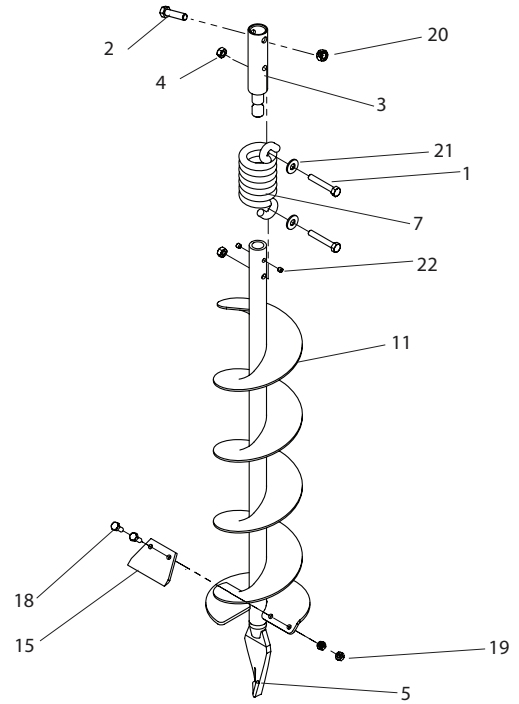
EA2F, EA3F



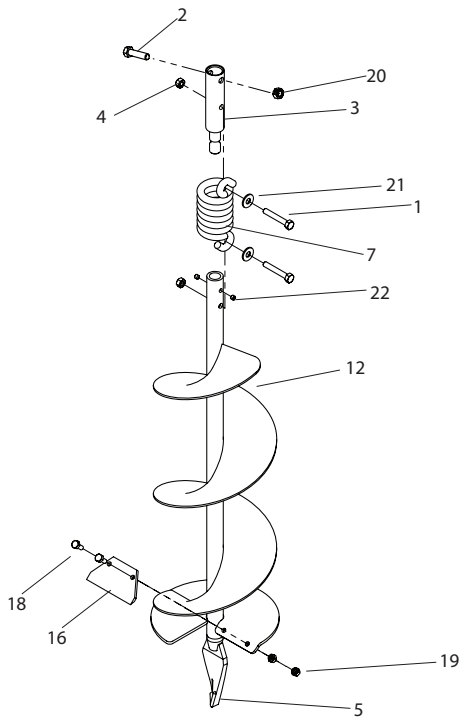
EA4F



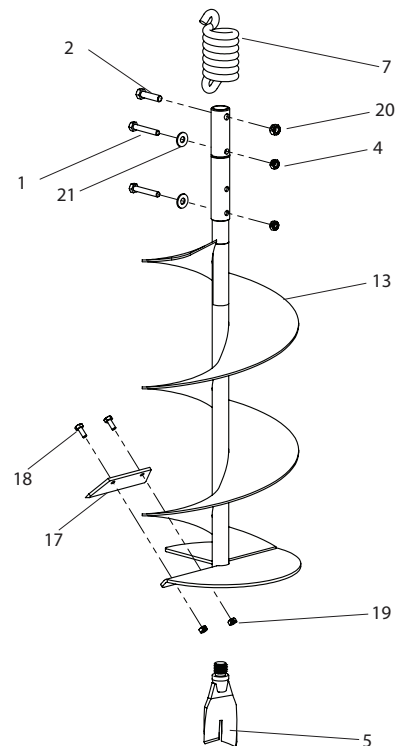
EA6F



EA8F

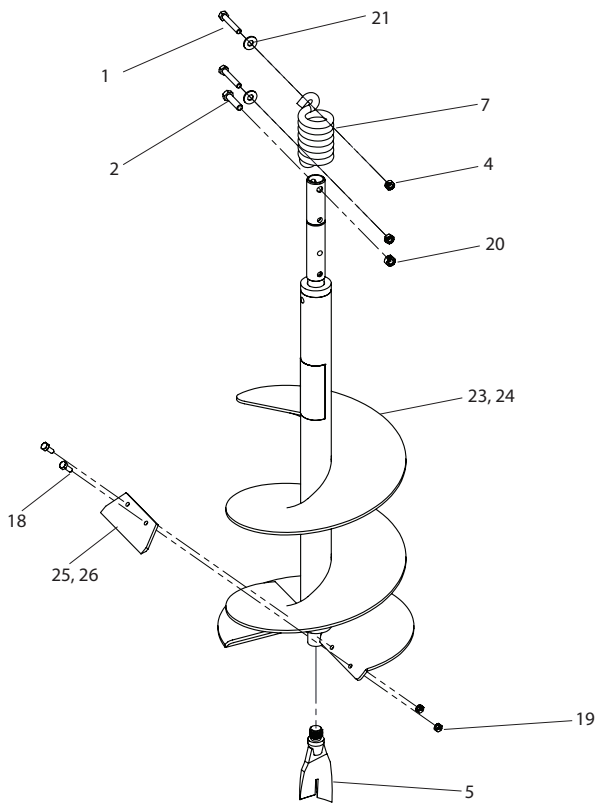


EA10F

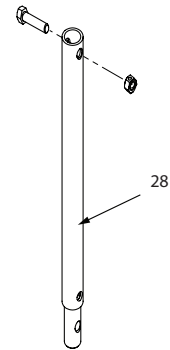


## AUGER PARTS ILLUSTRATED PARTS BREAKDOWN

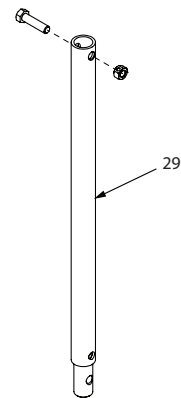
### EA12F, EA14F



### EXT12



### EXT18



ITEM NO.	PART NO.	DESCRIPTION	QTY.
1	1423	BOLT-HHCS, 5/16-18 X 2", GRADE 5 (AUGER SHOCK SPRING)	2
2	1433	BOLT-HHCS, 3/8-16 X 1-1/2" (AUGER TO POWERHEAD)	2
3	53684	SHOCK TOP 1-PC (USED ON 6" AND 8" EARTH AUGERS)	1
4	60G56	NUT-HEX 2-WAY REVERSIBLE LOCK- NUT, 5/16-18	2
5	8958HD	FISHTAIL POINT (USED ON 4" OR LARGER EARTH AUGER)	1
6	8970	EARTH POINT (USED ON 2" & 3" EARTH AUGER)	1
7	8980	SHOCK SPRING (USED ON 6" AND LARGER EARTH AUGERS)	1
8	EA2F	EARTH AUGER, 2" W/FISHTAIL POINT	1
9	EA3F	EARTH AUGER, 3" W/FISHTAIL POINT	1
10	EA4F	EARTH AUGER, 4" W/FISHTAIL POINT	1
11	EA6F	EARTH AUGER, 6" W/FISHTAIL POINT	1
12	EA8F	EARTH AUGER, 8" W/FISHTAIL POINT	1
13	EA10F	EARTH AUGER, 10" W/FISHTAIL POINT	1
14	EB4	EARTH BLADE, 4" (INCLUDES EBOLT & ENUT)	1
15	EB6	EARTH BLADE, 6" (INCLUDES EBOLT & ENUT)	1
	EB6HD	HEAVY DUTY EARTH BLADE, 6" (INCLUDES EBOLT & ENUT)(IMPROVED DESIGN)	1
16	EB8	EARTH BLADE, 8" (INCLUDES EBOLT & ENUT)	1
	EB8HD	HEAVY DUTY EARTH BLADE, 8" (IN- CLUDES EBOLT & ENUT) (IMPROVED DESIGN)	1
17	EB10	EARTH BLADE, 10" (INCLUDES EBOLT & ENUT)	1
	EB10HD	HEAVY DUTY EARTH BLADE, 10" (INCLUDES EBOLT & ENUT) (IMPROVED DESIGN)	1
18	EBOLT	BOLT-HEX, 1/4-28 X 5/8", GRADE 5 (EARTH BLADE TO AUGER)	2
19	ENUT	NUT-NYLOC, 1/4-28	2
20	2104	NUT HEX LOCKING, 3/8-16	2
21	WF516	WASHER-FLAT, 5/16"	2
22	715	SET SCREW 1/4-20 X 1/4 SCPC BLK OXIDED	2

ITEM NO.	PART NO.	DESCRIPTION	QTY.
23	EA12F	EARTH AUGER, 12" W/FISHTAIL POINT	1
24	EA14F	EARTH AUGER, 14" W/FISHTAIL POINT	1
25	EB12	EARTH BLADE, 12" (INCLUDES EBOLT & ENUT)	1
26	EB14	EARTH BLADE, 14" (INCLUDES EBOLT & ENUT)	1
27	8955	BOLT 3/8-16 X 1-1/4 SHCS	1
28	EXT12	DEPTH EXTENSION, 12"	1
29	EXT18	DEPTH EXTENSION, 18"	1