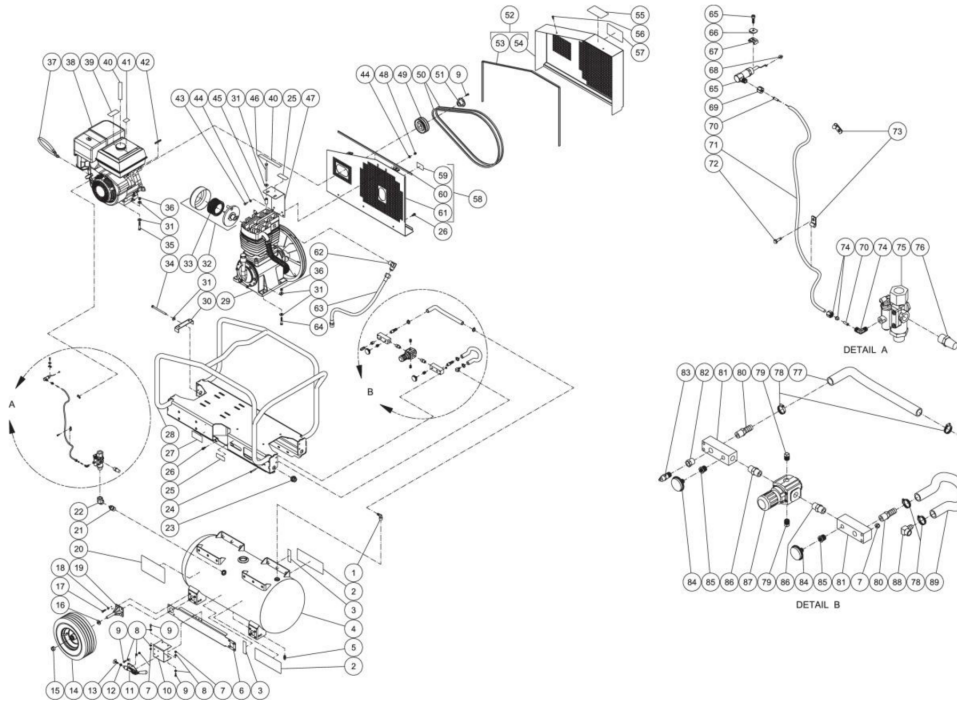




AM2-PH13-30M

TANK ASSEMBLY



Id	Item #	Description	Quantity
1	23-0418	ELBOW	1
2	34-0828	DECAL- MI-T-M AIR COMPRESSOR	1
3	N/A Sep.	DECAL- TANK DRAIN (SEE 34-9016)	2
4	N/A	AIR TANK ASSEMBLY	1
5	23-0312	PETCOCKS	1
6	20-0668A01	BREAK BRACKET	2
7	30-0155	LOCKNUT	12
8	28-0002	WASHER	16
9	27-0015	SCREW	10
10	20-0669A01	BREAK BRACKET HAT	1
11	33-0400	TOGGLE CLAMP	1
12	30-0004	HEX NUT	1
13	27-9550	ELEVATOR BOLT	1
14	14-0006	WHEEL	4
15	33-0351	COLLAR	4

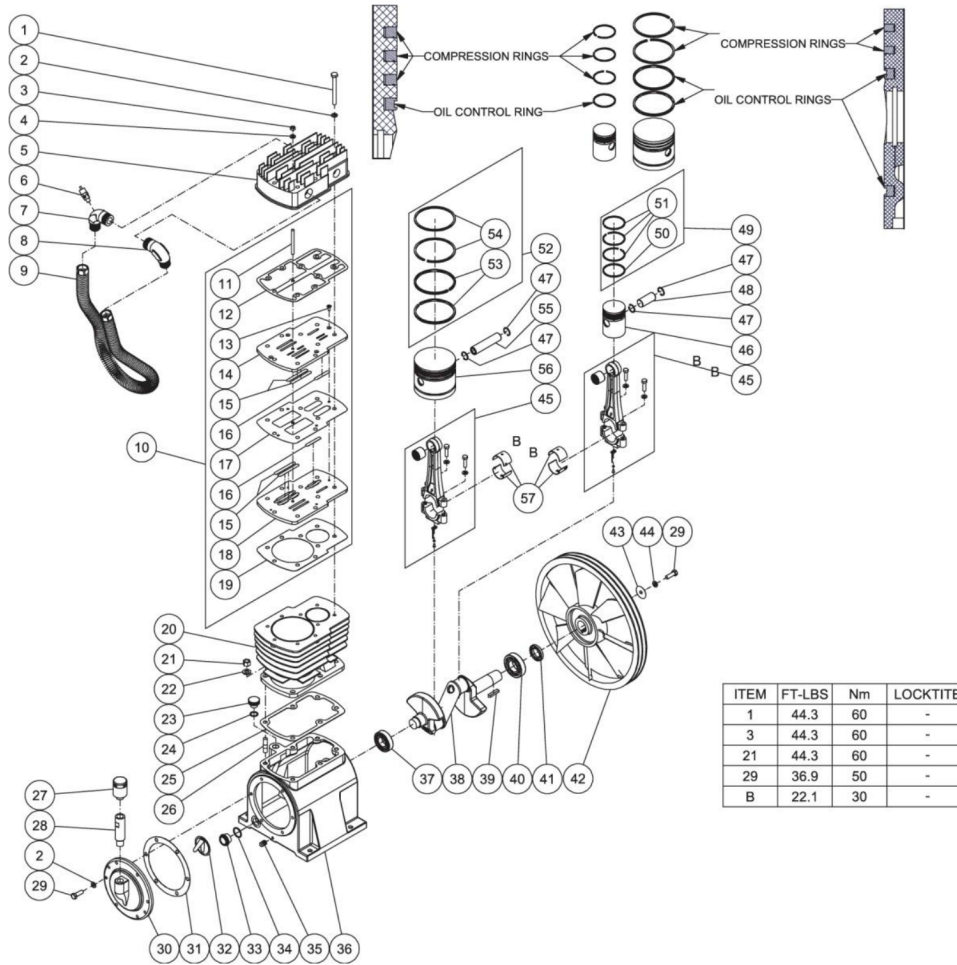
Id	Item #	Description	Quantity
16	28-0008	WASHER	4
17	27-0067	BOLT	16
18	29-0007	LOCKWASHER	16
19	20-861A01	AXLE STUB BRACKET	4
20	N/A Sep.	DECAL- DANGER/WARNING/CAUTION (SEE 34-9016)	1
21	24-0283	NIPPLE	1
22	24-0284	ELBOW	1
23	24-0274	BULKHEAD FITTING	1
24	27-0019	BOLT	4
25	N/A Sep.	DECAL- WARNING: RISK OF BURNS (SEE 34-9016)	2
26	27-9524	BOLT	15
27	N/A	DECAL- DATA PLATE	1
28	5-0250A01	ROLL CAGE ASSY	1
29	3-0304	PUMP	1
30	20-0650A01	BELT TENSIONER PLATE	1
31	28-0023	FLATWASHER	19
32	19-0237	FILTER CANISTER (INC. 33)	1
33	19-0226	FILTER	1
34	27-0133	BOLT	1
35	27-0122	BOLT	4
36	30-0159	LOCKNUT	8
37	70-0358	DRAINZIT DRAIN ASSEMBLY	1
38	1-0086	ENGINE- HONDA	1
39	N/A Sep.	DECAL- MUFFLER HOT (SEE 34-9016)	1
40	N/A Sep.	DECAL- CHECK OIL TAPE (SEE 34-9016)	2
41	N/A Sep.	DECAL- ENGINE FUEL (SEE 34-9016)	1
42	43-0078	KEY	1
43	27-0066	SCREW	2
44	28-0003	WASHER	4
45	20-1020A52	SPACER	2
46	27-8074	BOLT	2
47	13-0192A01	BELTGUARD STABILIZER BRACKET	1
48	30-0157	LOCKNUT	2
49	10-0025	SHEAVE	1
50	11-0069	DRIVE BELT	2
51	9-0005	BUSHING	1
52	854-0088	BELTGUARD ASSEMBLY (INC. 53, 54)	1
53	33-0020	EDGING *(SIX FEET REQUIRED)	1
54	N/A Sep.	BELTGUARD COVER (SEE 854-0088)	1

Id	Item #	Description	Quantity
55	N/A Sep.	DECAL- OPERATING INSTRUCTIONS (SEE 34-9016)	1
56	33-0197	FASTENER	2
57	N/A Sep.	DECAL- MAINTENANCE INSTRUCTIONS (SEE 34-9016)	1
58	854-0087	BELTGUARD BACK ASSEMBLY (INC. 59-61)	1
59	N/A Sep.	DECAL- WARNING: BELTGUARD IN PLACE (SEE 34-9016)	1
60	33-0020	EDGING *(THREE FEET REQUIRED)	1
61	N/A	BELTGUARD BACK ASSEMBLY	1
62	24-0285	ELBOW	1
63	15-0278	HOSE	1
64	27-0121	BOLT	4
65	33-0413	THROTTLE CONTROL	1
66	N/A	THROTTLE CLAMP	1
67	45-0084	THROTTLE ENGINE CLIP	1
68	62-0126	THROTTLE CONTROL ADAPTER	1
69	23-0315	COMPRESSION NUT	1
70	23-0425	TUBE SUPPORT	2
71	15-0238	HOSE *(THREE FEET REQUIRED)	1
72	27-3064	SCREW	1
73	N/A	THROTTLE CLIP	2
74	23-0316	ELBOW	1
75	22-0394	PILOT VALVE	1
76	24-0286	EXHAUST MUFFLER	1
77	15-0007	HOSE *(TWO FEET REQUIRED)	1
78	42-0011	HOSE CLAMP	4
79	24-0009	PLUG	2
80	23-0105	HOSE BARB	2
81	51-0033	MANIFOLD	2
82	23-0017	BUSHING	1
83	22-0267	PRESSURE RELIEF VALVE	1
84	22-0271	PRESSURE GAUGE	2
85	23-0111	REDUCER	2
86	24-0010	NIPPLE	2
87	22-0395	ADJUSTABLE REGULATOR	1
88	23-0050	ELBOW	1
89	15-0007	HOSE *(ONE FOOT REQUIRED)	1
	34-9016	DECAL KIT (INC. 3, 20, 25, 39-41, 55, 57, 59)	
		*MUST ORDER IN ONE FOOT LENGTHS	



AM2-PH13-30M

PUMP ASSEMBLY



Id	Item #	Description	Quantity
1	27-8072	BOLT	9
2	28-1059	COPPER WASHER	15
3	30-0058	NUT	1
4	28-1011	WASHER	1
5	46-1318	PUMP HEAD	1
6	22-0362	LP SAFETY VALVE	1
7	24-0310	OUTLET ELBOW W/PORT	1
8	24-0311	OUTLET ELBOW	1
9	46-1319	INTERCOOLER TUBE	1
10	70-0505	VALVE PLATE GASKETS/REEDS (INC. 11-19)	1

Id	Item #	Description	Quantity
11	N/A	STUD	1
12	N/A	GASKET	1
13	N/A	SCREW	4
14	N/A	UPPER VALVE PLATE	1
15	N/A	LP REED VALVE	4
16	N/A	HP REED VALVE	2
17	N/A	GASKET	1
18	N/A	LOWER VALVE PLATE	1
19	N/A	GASKET	1
20	46-1320	CYLINDER	1
21	N/A	HEX NUT	6
22	N/A	LOCKWASHER	6
23	46-1281	OIL FILL CAP	1
24	25-0160	O-RING	1
25	N/A	GASKET	1
26	N/A	STUD	6
27	46-1276	BREATHER ASSY	1
28	46-1277	BREATHER PIPE	1
29	N/A	BOLT	7
30	46-1278	REAR CRANKCASE COVER	1
31	N/A	GASKET	1
32	46-1279	OBSTRUCT OIL NET	1
33	46-1280	OIL LEVEL SIGHT GLASS	1
34	25-0150	O-RING	1
35	24-0009	PLUG	1
36	46-1321	PUMP CRANKCASE	1
37	48-0024	BALL BEARING	1
38	46-1322	PUMP CRANKSHAFT	1
39	43-0125	KEY	1
40	48-0014	BALL BEARING	1
41	N/A	OIL SEAL	1
42	10-0141	FLYWHEEL	1
43	N/A	WASHER	1
44	29-0055	LOCKWASHER	1
45	70-0506	KIT - CONNECTING ROD ASSY	2
46	46-1323	HP PISTON	1
47	46-1324	PISTON PIN SNAP RING	4
48	46-1325	HP PISTON PIN	1
49	70-0507	KIT - HP PISTON RINGS	1

Id	Item #	Description	Quantity
50	N/A	OIL RING	1
51	N/A	COMPRESSION RING	3
52	70-0508	KIT - LP PISTON RINGS	1
53	N/A	OIL RING	2
54	N/A	COMPRESSION RING	2
55	46-1326	LP PISTON PIN	1
56	46-1327	LP PISTON	1
57	46-1328	CONNECTING ROD BUSHING	4
KIT	70-0509	PUMP GASKETS KIT (INC. 12, 17, 19, 25, 31)	1