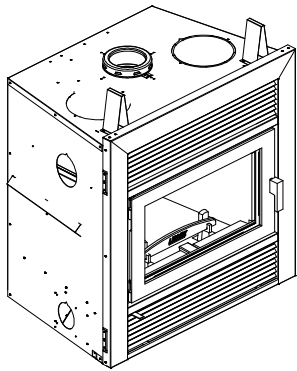
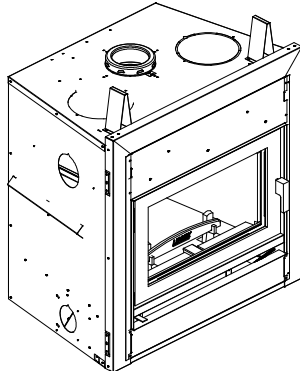




## HEARTH PRODUCTS



Shown with louver kit installed



Shown with clean face kit installed

A French manual is available upon request. Order P/N 506223-27.

Ce manuel d'installation est disponible en français, simplement en faire la demande. Numéro de la pièce 506223-27.

**THIS UNIT REQUIRES THE INSTALLATION OF A FINISHING KIT. SEE "PARTS REQUIRED" SECTION FOR DETAILS**

**Fireplace, Also For Use In  
Manufactured Homes With Solid Fuel Only.**



### WARNING

- Hot! Do not touch! The glass and surfaces of this appliance will be hot during operation and will retain heat for a while after shutting off the appliance. Severe burns may result.
- Carefully supervise children in the same room as appliance.

- If small children are present in the home, it is recommended that this appliance be fitted with an adjustable safety gate or barrier screen.



Listed to standards:  
ULC-S610 & UL-127  
Report No. 3011202  
EPA Cert. No. 537

# INSTALLATION AND OPERATION INSTRUCTIONS

## Brentwood™ LV

EPA Wood-Burning Fireplaces  
P/N 506023-13 REV. C 05/2013



### MODEL

### Brentwood LV

This installation manual will enable you to obtain a safe, efficient and dependable installation of your fireplace system. Please read and understand these instructions before beginning your installation.

Do not alter or modify the fireplace or its components under any circumstances. Any modification or alteration of the fireplace system, including but not limited to the fireplace, chimney components and accessories, may void the warranty, listings and approvals of this system and could result in an unsafe and potentially dangerous installation.

IHP wood-burning fireplaces are designed for use as a supplemental heater. They are not intended for continuous use as a primary heat source.

**SAVE THESE INSTRUCTIONS  
FOR FUTURE REFERENCE**

### WARNING

- The fireplace cannot be operated without a door or firescreen. Consult your dealer to select the correct door or firescreen.
- Important! To assure proper alignment of glass doors: Install this fireplace in a square and plumb condition, using shims as necessary at sides and/or bottom.
- Install the fireplace only as described in these instructions.

NATIONAL  
FIREPLACE  
INSTITUTE



www.nficertified.org

We recommend that our woodburning hearth products be installed and serviced by professionals who are certified in the U.S. by the National Fireplace Institute® (NFI) as NFI Woodburning Specialists or who are certified in Canada by Wood Energy Technical Training (WETT).



## OPTIONAL INSTALLATION ACCESSORIES

Installation Accessories	
Description	Cat./Part No.
<b>Finishing Kits (Required - Order Separately)</b>	
Louver kit	LOUVRECF
<b>OR</b>	
Clean face kit	CAPPINGCF
<b>Outside Air Kit (Required - included w/fireplace)</b>	
Outside Air Coupler to connect outside air UZI to fireplace, UZIAD	UZIAD
Outside Air Ducting - includes 4" insulated flex x 10' long, UZI	UZI
<b>Gravity Kits (REQUIRED WITH CLEAN FACE KIT)</b>	
Gravity Kit - Complete double ducting system w/adaptor including: 2 elbows 90°, 2 telescopic lengths, 2 grill supports and 2 black grills, 7B30ZK-1	H8947
<b>Gravity Kit Accessories</b>	
Elbow 90°, 8" dia., 7B26ZE90	H8948
Elbow 45°, 8" dia., 7B26ZE45	H8949
Telescopic length, 8" dia. (15" to 26"), 7B26ZLA	H8950
Adjustable length 8" dia (2" - 5"), 7B26ZL2A	H8951
Length two (2) feet, 8KL2	H8954
Length one (1) feet, 8KL1	H8953
Wall radiation shield, 8" I.D., 7B26ZR	H8952

Fireplace Kits	
Description	Cat./Part No.
Blower motor speed control (wall mount), VRUW	VRUW
Rigid Firescreen	BUCFZN
<b>Central Forced Air Kit Accessories ❶</b>	
Central Forced Air Kit, Central forced air kit including: blower (BISZY), flex adaptor (BISAF), 2 clamps, variable speed control (VRUW), thermo-disk (VTU), fan to flexible pipe adaptor (BISAVF), back draft damper (BISBD), aluminium tape, BISFWK-1	BISFWK-1
Flexible pipe 5" I.D. x 15 ft. Long, 5FLEX15	5FLEX15
Flexible pipe 5" I.D. x 30 ft. Long, 5FLEX25	5FLEX25
Heating and cooling thermostat, 24V, HCTW	HCTW

❶ **Not tested under EPA certification. If installed, this appliance no longer qualifies for EPA certification.**

## REPLACEMENT PARTS - BRENTWOOD™ LV

Brentwood™ LV		
Item #	Description	Cat./Part No.
1	Baffle refractory (2 pieces)	PR-IS02205
2	Back refractory	PR-SR2996
3	Right side refractory	PR-SR2997D
4	Left side refractory	PR-SR2997G
5	Bottom refractory	PR-SR2201
6	Front refractory, right side - ash lip	PR-SR2202D
7	Front refractory, left side - ash lip	PR-SR2202G
8	Secondary air tube	PR-SR2271
9	Bracket, secondary air tube lock	PR-SR2214
	Facing:	
10	Top trim	PR-SR3033
11	Bottom trim	PR-SR3020
12	Top frame	PR-SR2995
13	Left side frame	PR-SR2994G
14	Right side frame	PR-SR2994D
15	Fireplace top	PR-SR2500
16	Fireplace left side	PR-SR2502
17	Fireplace right side	PR-SR2503
18	Fireplace back	PR-SR2499
19	Touch-up paint, aerosol, black metallic SBMB6309	H8159
20	Louvers, upper and lower (set of 2)	LOUVRECF
21	Complete door	PR-SR3003LV
22	Wooden door handle	PR-SR2856
23	Door handle rod and lock	PR-SR2855
24	Ceramic glass panel	PR-SR3004
25	Gasket, door, 77-3/4" (3/4" dia.)	PR-SR18230
26	Gasket, glass, 74" (3/16" x 1")	PR-SR1685J
27	Hinge assembly, fireplace and door	PR-SR1933
28	Blower (heat activated on/off, pre-wired)	UZY6
29	Snap Disc, Blower	VTU
30	Andiron (2)	PR-SR2324
31	Cast iron log retainer bar	PR-SR2323
---	Blower 250 CFM for central forced air kit, BISZY	BISZY
---	Blower variable speed control with decorative wall plate for (BISZY), VRUW	VRUW
---	Thermo-disk, on/off blower control (for BISZY), VTU	VTU
---	Blower to flexible pipe adaptor, BISAVF	BISAVF
---	Backdraft damper, BISBD	BISBD
---	Fireplace to Flex adaptor and 2 clamps, BISAF	BISAF

Contact an IHP dealer to obtain any of these parts. Never use substitute materials not approved by IHP. Use of non-approved parts can result in poor performance and safety hazards.

## SPECIFICATIONS

Cat. No.	Model
H8295	Brentwood™ LV

Product Reference Information	
Weight	385 lbs
Height	36"
Width	36"
Depth	24-1/2"
Firebox W x H x D - measured in front	22" x 11-3/4" x 12"
Chimney weight ASHT (6" dia)	6.25 lb per linear foot
Chimney weight AC (6" dia)	3.25 lb per linear foot

### CLEARANCE TO COMBUSTIBLES

The following clearances meet the minimum requirements for a safe installation:

**Side wall:** 24" (610 mm) measured from the fireplace side.

**Ceiling:** 6' 8" (2,032 mm) measured from the base of the fireplace.

#### Fireplace enclosure:

**Bottom:** 0"

**Side:** 0" to spacer

**Back:** 0" to spacer

**Top:** Do not fill the space above the fireplace with any material (Except the wood framing. See **Page 11, Figure 11**).

**Chimney:** 2" (50 mm)

**Mantel:** 45" (1143 mm) measured from the base of the fireplace.

REPLACEMENT PARTS - BRENTWOOD™ LV

