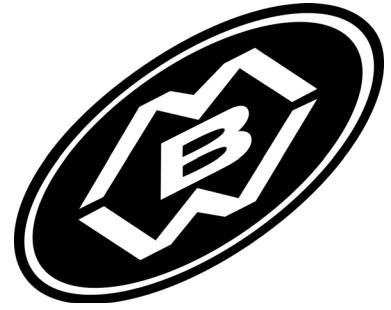


OPERATOR'S SAFETY AND SERVICE MANUAL



SCREEDEMON

This manual covers the following serial numbers
and higher for each model listed:

EWS500.....6020001



WET SCREED

MBW, Inc.
250 Hartford Rd • PO Box 440
Slinger, WI 53086-0440
Phone: (262) 644-5234
Fax: (262) 644-5169
Email: mbw@mbw.com
Website: www.mbw.com

MBW Europe Ltd.
Units 2&3 Cochrane Street
Bolton BL3 6BN
England, UK
Phone: +44 (0) 1204 387784
Fax: +44 (0) 1204 387797
E-mail: saleseurope@mbw.com
Website: mbweurope.com

L22331 / 03.21.E
©MBW, Inc. 2021
Printed in the USA



22159



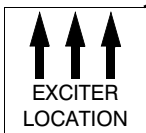
21746

For best performance use Milwaukee Tool's M18™ REDLITHIUM™ HIGH OUTPUT™ batteries.

22158 (inside cover)

EWS500

22333



17768

WARNING
Operating, servicing and maintaining this equipment can expose you to chemicals, including engine exhaust, phthalates and lead, which are known to the state of California to cause cancer and birth defects or other reproductive harm. Avoid breathing engine exhaust. Do not operate equipment in confined areas. For more information go to www.P65Warnings.ca.gov

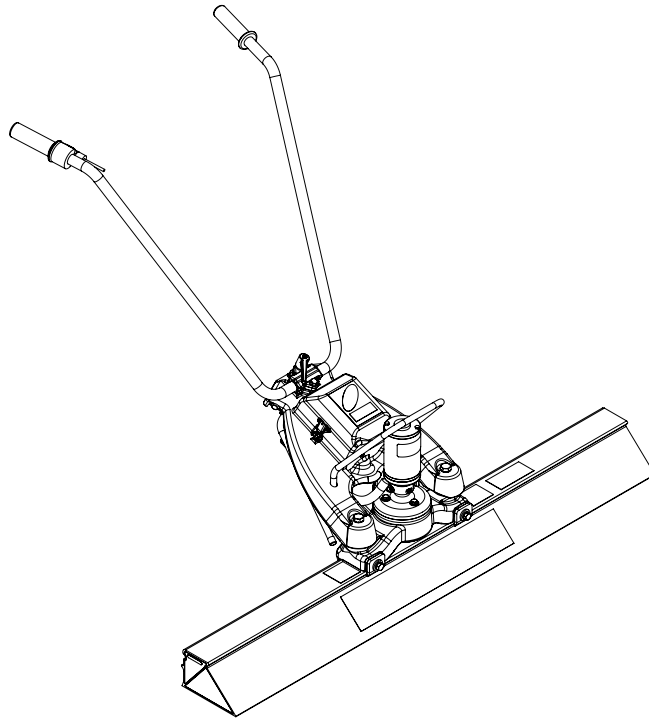
21820

SCREEDEMON

17769

Safety Decals

SPECIFICATIONS

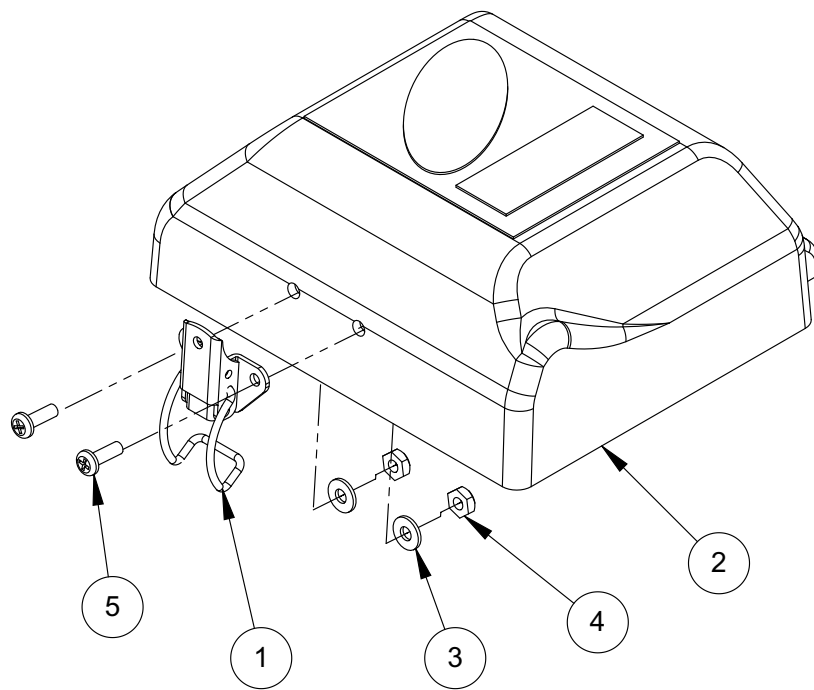


	500M
Operating Weight	33.5 lbs (15.2 kg) including 12 amp hr battery

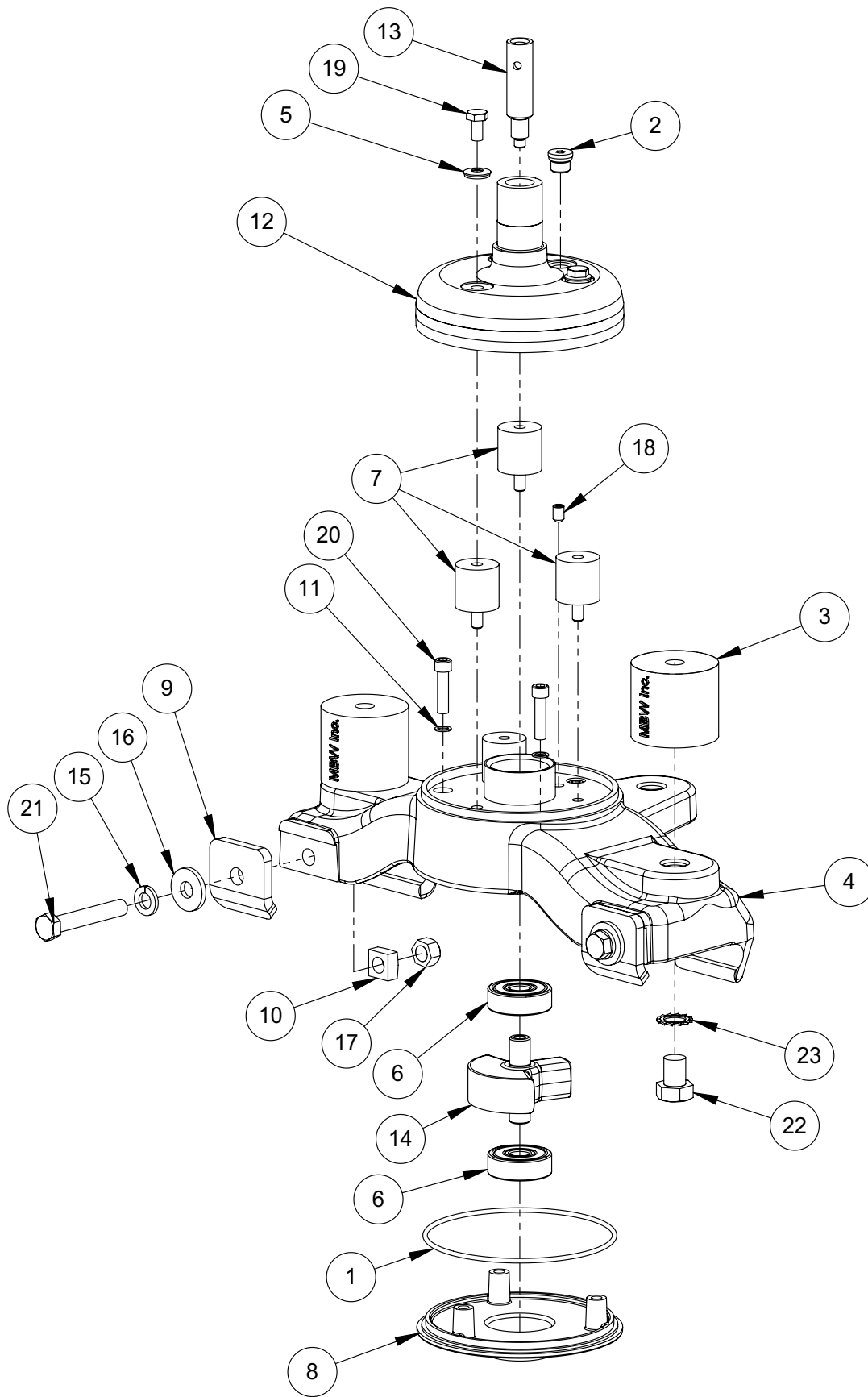
Blade Specifications

Part #	Width	Weight
17804	4 ft (1.21 m)	8.1 lb (3.7 kg)
17806	6 ft (1.83 m)	12.1 lb (5.5 kg)
17808	8 ft (2.44 m)	16.1 lb (7.3 kg)
17810	10 ft (3.05 m)	20.1 lb (9.1 kg)
17812	12 ft (3.66 m)	24.0 lb (10.9 kg)
17814	14 ft (4.27 m)	28.0 lb (12.7 kg)
17816	16 ft (4.88 m)	32.0 lb (14.5 kg)
17818	18 ft (5.49 m)	36.0 lb (16.3 kg)
17820	20 ft (6.10 m)	40.0 lb (18.1 kg)
17824	24 ft (7.32 m)	47.9 lb (21.7 kg)

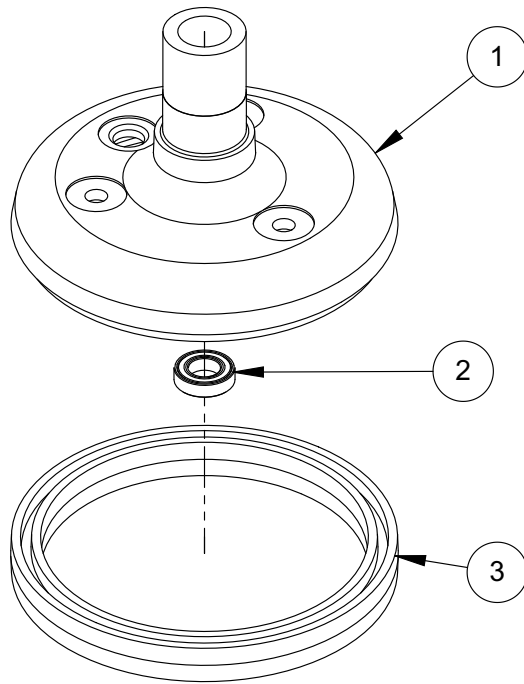
Specifications subject to change without notice



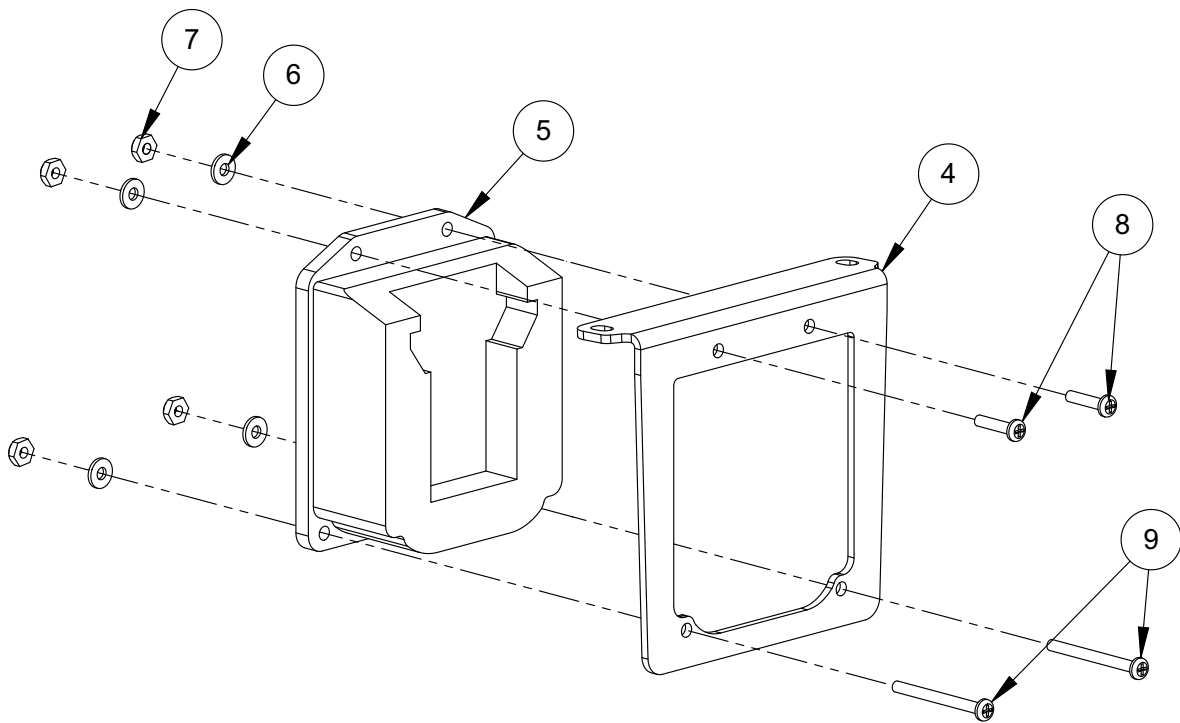
Cover Assembly



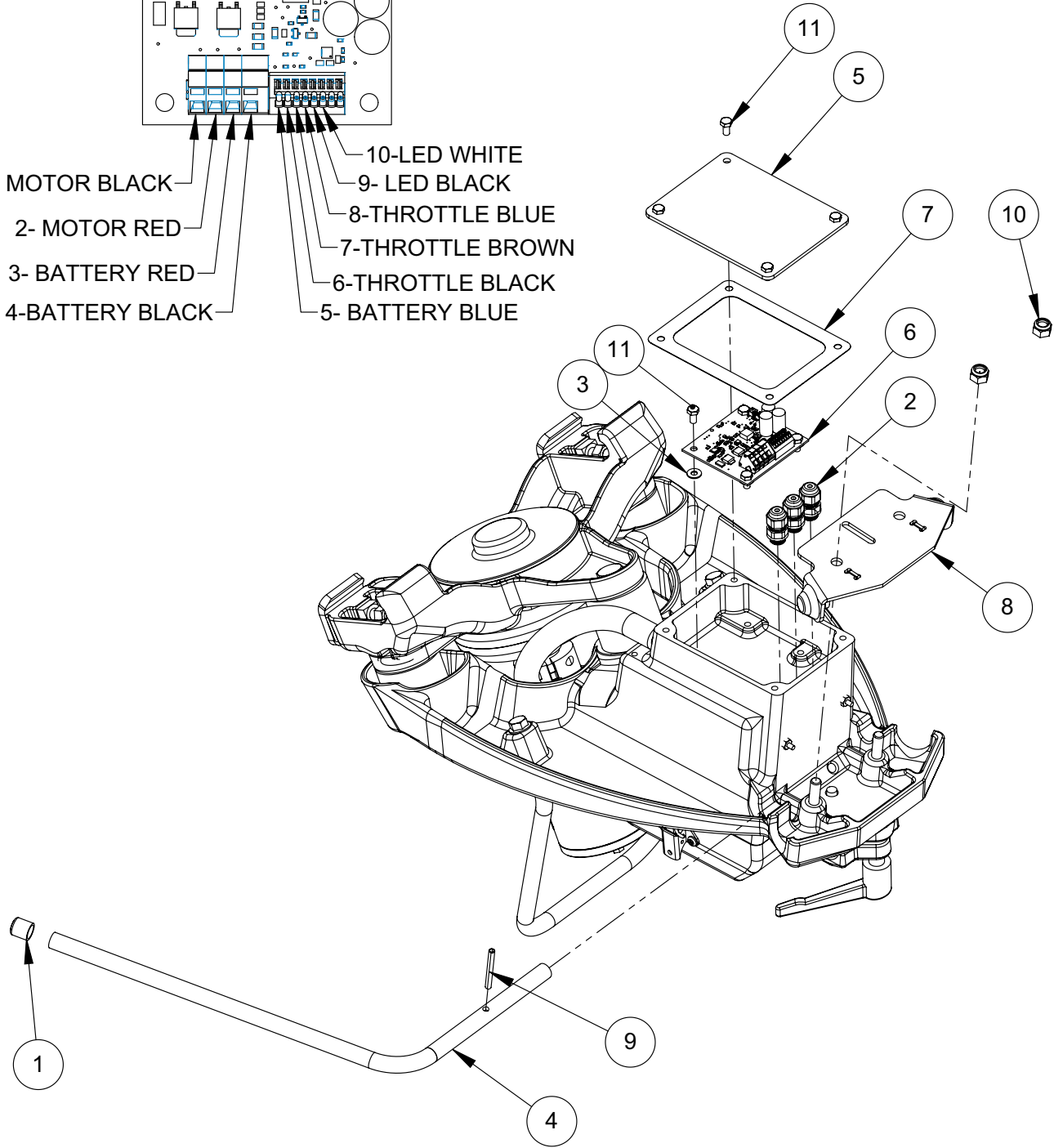
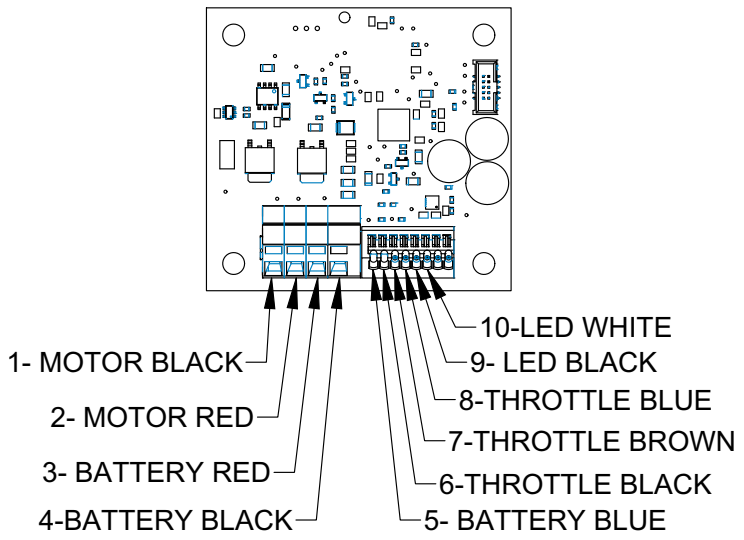
Exciter Assembly



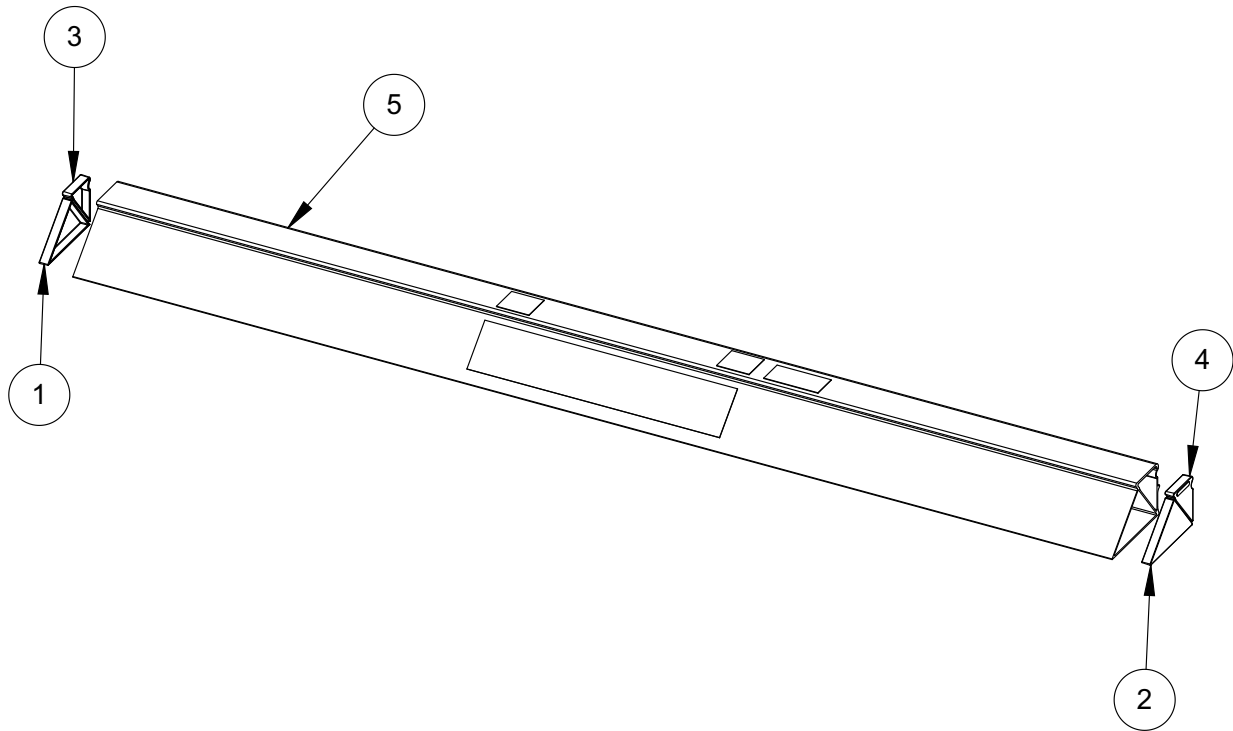
Motor Mount



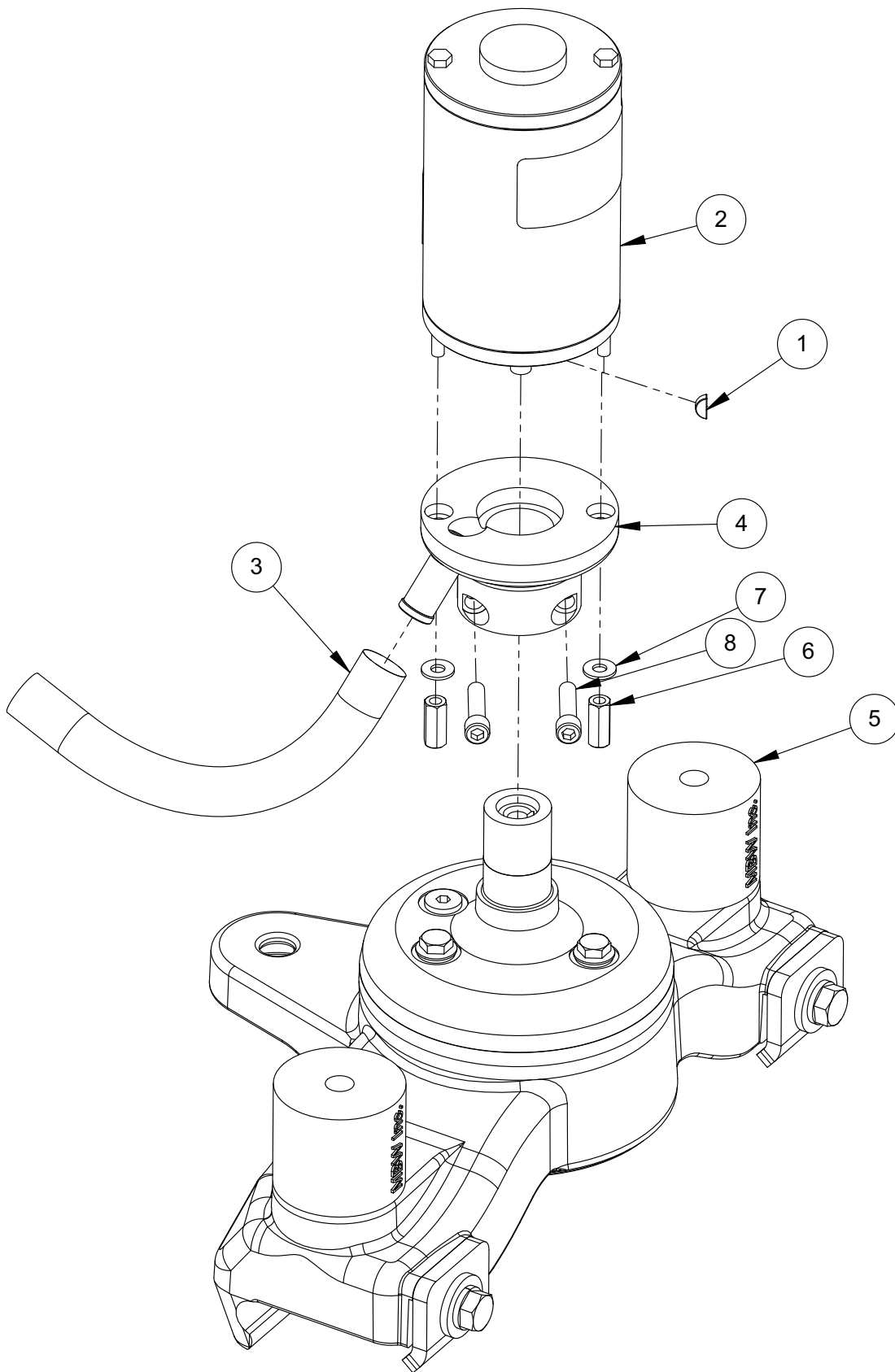
Battery Mount



Electrical Assembly



Screed Board Assembly



Motor Assembly

