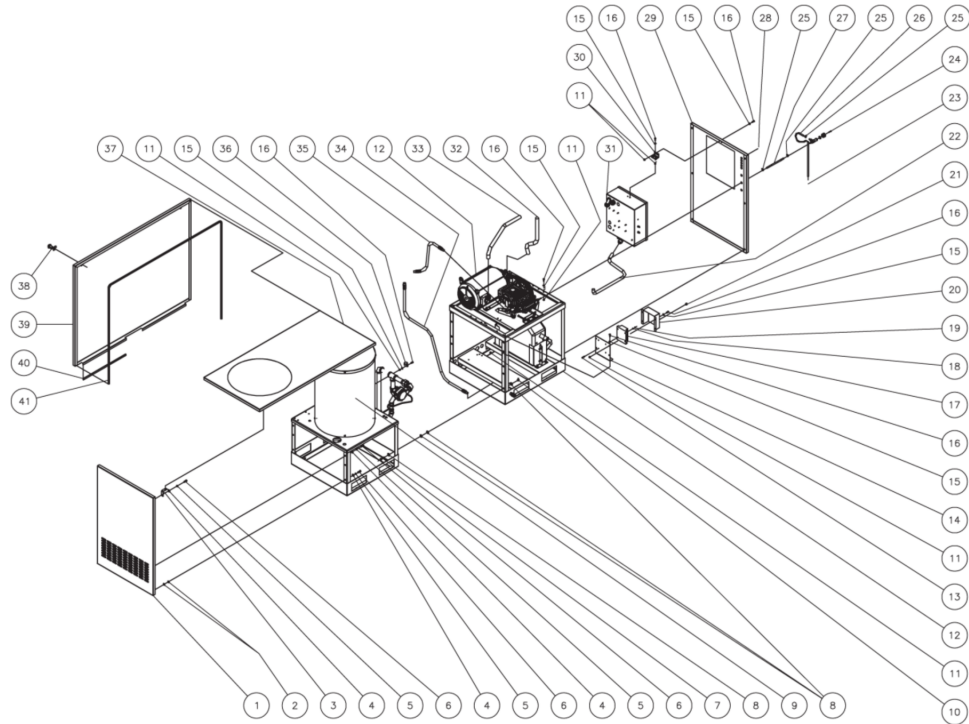




HG-1805-1230 / HG-1805-1230 (sn:15045001-99999999)

FRAME ASSEMBLY



Id	Item #	Description	Quantity	Rev	Comments
1	20-0640A18	NATURAL GAS SIDE END PANEL	1		
2	28-0003	WASHER	8		
3	13-0102A18	ANGLE SUPPORT	4		
4	28-0022	WASHER	16		
5	29-0007	LOCKWASHER	16		
6	27-0067	BOLT	16		
7	27-0119	BOLT	4		
8	28-0023	FLATWASHER	16		
9	N/A SEP.	BURNER ASSEMBLY (SEE EXPLODED DRAWING)	1		
10	30-0159	LOCKNUT	4		
11	30-0155	LOCKNUT	13		
12	N/A SEP.	MOTOR BASE ASSEMBLY (SEE EXPLODED DRAWING)	1		
13	27-8807	BOLT	2		

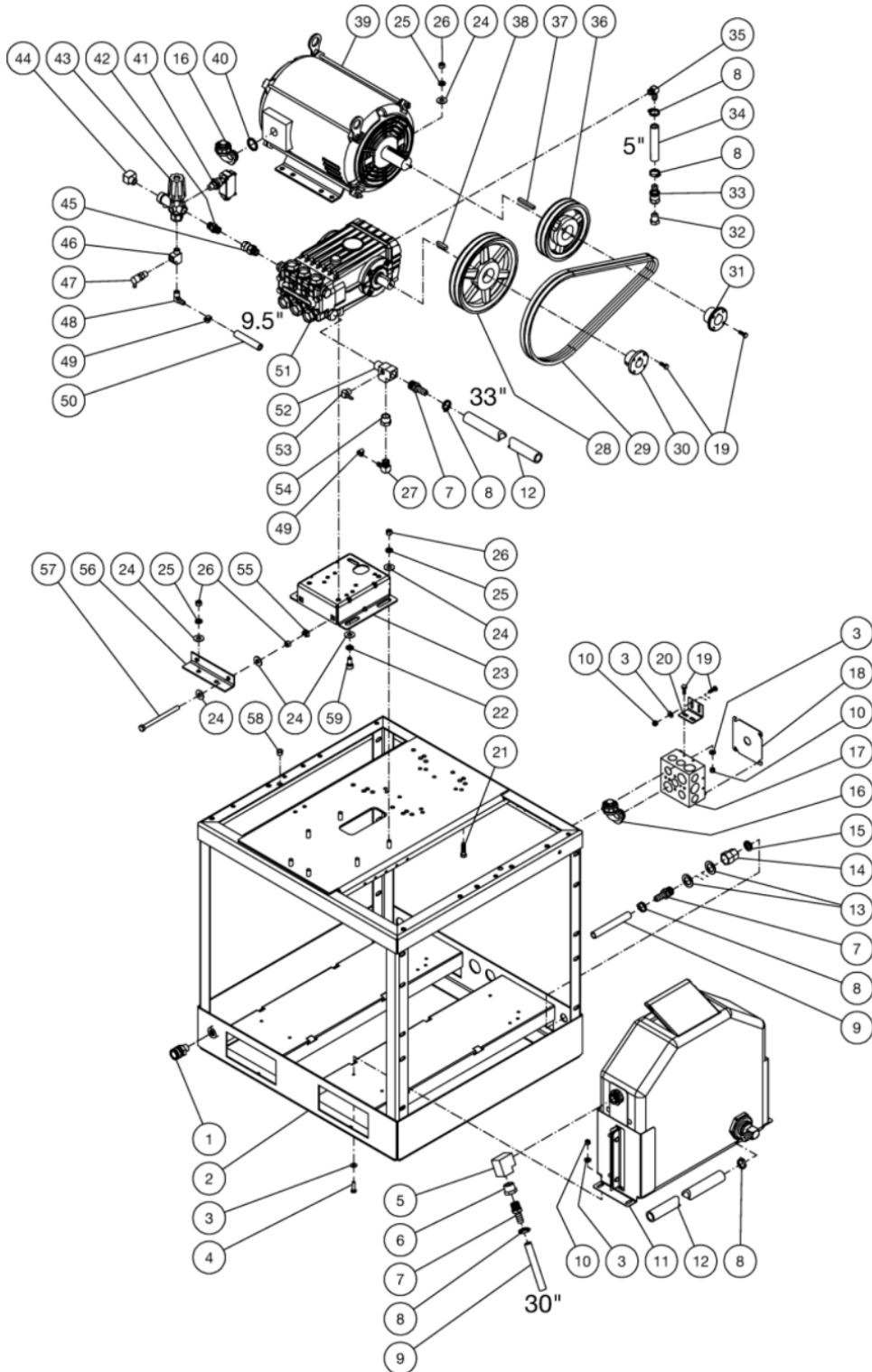
Id	Item #	Description	Quantity	Rev	Comments
14	20-0657A18	BRACKET	1		
15	28-0002	WASHER	13		
16	27-0015	BOLT	13		
17	32-0319	IGNITION MODULAR	1		
18	28-1009	LOCKWASHER	2		
19	30-6001	NUT	2		
20	20-0656A18	IGNITOR COVER	1		
21	9-0092	BUSHING	1		
22	32-0253	CONDUIT *(FOUR FEET REQUIRED)	1		
23	19-0056	DETERGENT STRAINER W/CHECK	1		
24	22-0226	DETERGENT VALVE	1		
25	42-0004	CLAMP WORM	3		
26	15-0021	DETERGENT HOSE *(SIX FEET REQUIRED)	1		
27	15-0079	DETERGENT HOSE *(ONE FOOT REQUIRED)	1		
28	33-0001	GROMMET	6		
29	20-0637A18	NATURAL GAS E-BOX END PANEL	1		
30	20-0626A18	E-BOX BRACKET	1		
31	N/A SEP.	THREE PHASE ELECTRIC BOX ASSEMBLY (SEE EXPLODED DRAWING)	1		
31	N/A SEP.	SINGLE PHASE ELECTRIC BOX ASSEMBLY (SEE EXPLODED DRAWING)	1		
32	32-0486	CONDUIT *(TWO FEET REQUIRED)	1		
33	32-0486	CONDUIT *(TWO FEET REQUIRED)	1		
34	15-0186	HIGH PRESSURE HOSE ASSEMBLY - COIL OUTLET TO OUTLET Q.C.	1		
35	15-0194	HIGH PRESSURE HOSE ASSEMBLY- PUMP OUTLET TO COIL INLET	1		
36	33-0291	HOSE CLAMP	1		
37	20-0638A18	TOP PANEL	1		
38	33-0128	LATCH	4		
39	20-0639A18	NATURAL GAS SIDE PANEL	2		
40	33-0020	TRIMLOCK	4		
41	33-0129	TRIMLOCK W/SEAL	2		

*MUST ORDER IN ONE FOOT LENGTHS



HG-1805-1230 / HG-1805-1230 (sn:15045001-99999999)

MOTOR BASE



Id	Item #	Description	Quantity	Rev	Comments
1	17-0007	QUICK CONNECT SOCKET	1		
2	5-0173A18	MOTOR/ PUMP BASE	1		
3	28-0002	WASHER	12		
4	27-0016	BOLT	4		
5	23-0391	ELBOW	1		
6	23-0023	BUSHING	1		
7	23-0045	BARB (2004/3004)	3		
7	23-0045	BARB (1805/3005)	2		
7	23-0036	BARB (1805/3005)	1		
8	42-0011	HOSE CLAMP (2004/3004)	6		
8	42-0011	HOSE CLAMP (1805/3005)	2		
8	42-0003	CLAMP WORM (1805/3005)	2		
9	15-0007	HOSE *(THREE FEET REQUIRED)	1		
10	30-0155	LOCKNUT	8		
11	N/A	FLOAT TANK ASSEMBLY	1		
12	15-0033	HOSE *(THREE FEET REQUIRED) (1805/3005)	1		
12	15-0007	HOSE *(THREE FEET REQUIRED) (2004/3004)	1		
13	28-0051	WASHER	2		
14	23-0001	SWIVEL	1		
15	19-0001	FILTER	1		
16	32-0487	CONDUIT ELBOW	2		
16	32-0488	CONDUIT STRAIGHT 3/4" (1805/2004-0E3G/4G)	1		
16	32-0487	CONDUIT 90 ELBOW 3/4" (1805/2004-0E3G/4G)	1		
17	32-0310	JUNCTION BOX	1		
18	33-0017	BLANK COVER	1		
19	27-0015	BOLT	8		
20	20-0626A18	BRACKET	1		
21	27-0118	BOLT	4		
22	29-0055	LOCKWASHER	4		
23	5-0153A18	PUMP HAT	1		
24	28-0023	WASHER	15		
25	29-0008	LOCKWASHER	10		
26	30-0006	NUT	12		
27	23-0074	ELBOW	1		
28	10-0007	SHEAVE	1		
29	11-0005	BELT (1805/3005)	2		
29	11-0008	BELT - AX40 (2004)	2		
29	11-0057	BELT - AX39 (2004)	2		
30	9-0017	BUSHING	1		

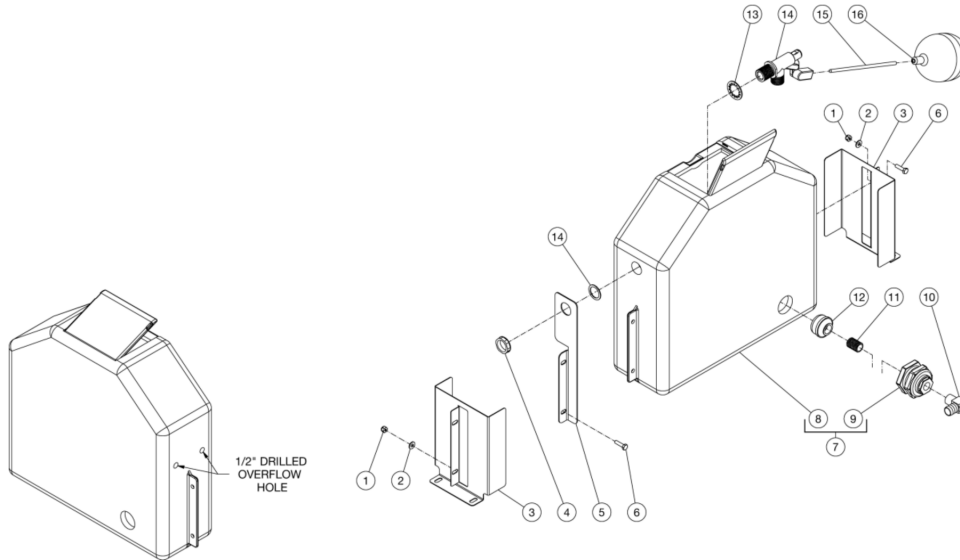
Id	Item #	Description	Quantity	Rev	Comments
31	9-0010	BUSHING (1805/2004)	1		
31	9-0008	BUSHING (3004/3005)	1		
32	23-0411	PLUG	1		
33	23-0360	HOSE BARB	1		
34	15-0305	HOSE *(ONE FOOT REQUIRED)	1		
35	23-0119	ELBOW	1		
36	10-0104	SHEAVE (1805/3005)	1		
36	10-0036	SHEAVE 2AK56H (2004)	1		
36	10-0041	SHEAVE 2AK54H (3004)	1		
37	43-0174	KEY	1		
38	43-0048	KEY	1		
39	2-0110	MOTOR - 8HP (3004-0E3G/4G)	1		
39	2-0107	MOTOR 6HP 230V 1PH ODP (1805/2004-0E2G)	1		
39	2-0108	MOTOR 6HP 230V 3PH ODP (1805/2004-0E3G/4G)	1		
39	2-0109	MOTOR 8HP 230V 1PH ODP (3004-0E2G)	1		
39	2-0111	MOTOR 8HP 575V 3PH ODP (3004-0E5G)	1		
39	2-0112	MOTOR 10HP 230V 3PH ODP (3005-0E3G/4G)	1		
39	2-0113	MOTOR 10HP 575V 3PH ODP (3005-0E5G)	1		
39	2-0124	MOTOR 6HP 200V 1PH ODP (1805/2004-0E8G)	1		
39	2-0125	MOTOR 8HP 200V 1PH ODP (3004-0E8G)	1		
39	2-0127	MOTOR 6HP 200V 3PH ODP (1805/2004-0E9G)	1		
39	2-0129	MOTOR 8HP 200V 3PH ODP (3004-0E9G)	1		
39	2-0130	MOTOR 10HP 200V 1PH ODP (3005-0E8G)	1		
39	2-0131	MOTOR 10HP 200V 3PH ODP (3005-0E9G)	1		
39	2-0132	MOTOR 10HP 230V 1PH ODP (3005-0E2G)	1		
40	26-0314	GASKET	1		
41	22-0171	PRESSURE SWITCH	1		
42	24-0002	NIPPLE	1		
43	8-0361	UNLOADER	1		
44	23-0034	ELBOW	1		
45	24-0037	SWIVEL	1		
46	23-0127	TEE	1		
47	22-0408	HEAT DUMP VALVE	1		
48	23-0123	ELBOW	1		
49	42-0004	CLAMP WORM	2		
50	15-0020	HOSE *(TWO FEET REQUIRED)	1		
51	3-0202	PUMP	1		
52	23-0388	STREET TEE	1		
53	23-0054	ELBOW	1		

Id	Item #	Description	Quantity	Rev	Comments
54	23-0016	REDUCER BUSHING	1		
55	30-6025	CLIP NUT	2		
56	20-0584A18	TENSION BRACKET	1		
57	27-0133	BOLT	2		
58	9-0028	SNAP BUSHING	1		
59	27-8471	BOLT	4		



HG-1805-1230 / HG-1805-1230 (sn:15045001-99999999)

FLOAT TANK

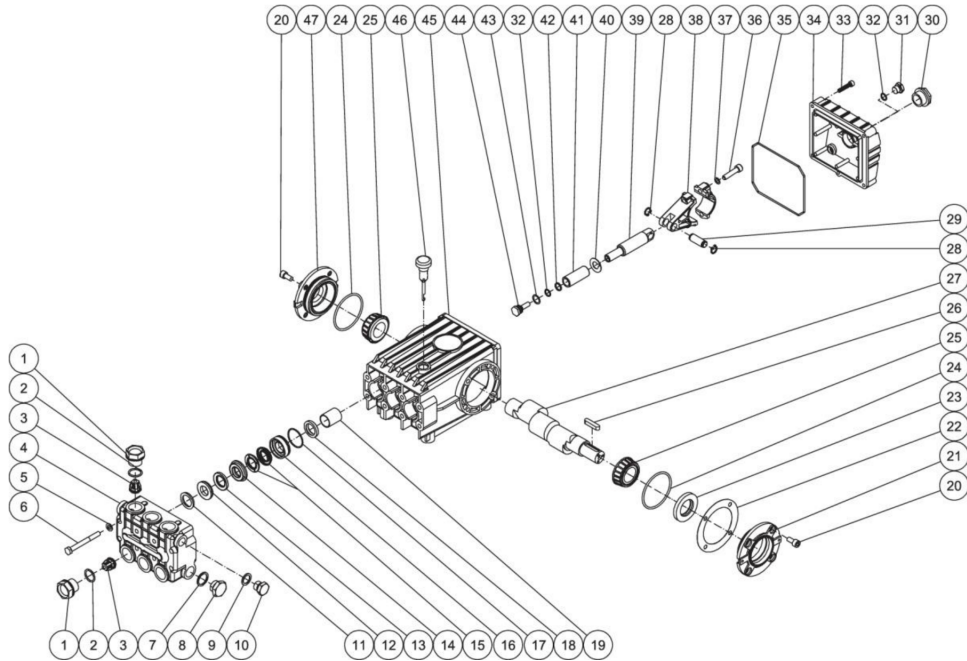


Id	Item #	Description	Quantity	Rev	Comments
1	30-0155	LOCKNUT	4		
2	28-0002	WASHER	4		
3	20-0586A18	BRACKET / FLOAT TANK	2		
4	23-0428	LOCKNUT	1		
5	20-0912A18	BRACKET	1		
6	27-0016	BOLT	4		
7	850-0350	FLOAT TANK ASSEMBLY (INC. 8-9)	1		
8	N/A	FLOAT TANK	1		
9	55-0886	BULKHEAD (INC. 25-0506 GASKET)	1		
10	23-0037	ELBOW (1805_3005)	1		
10	23-0053	ELBOW (2004_3004)	1		
11	23-0019	NIPPLE	1		
12	19-0203	STRAINER	1		
13	29-0074	LOCKWASHER	1		
14	22-0317	FLOAT VALVE	1		
15	31-3320	BALL FLOAT STUD	1		
16	22-0059	FLOAT	1		



HG-1805-1230 / HG-1805-1230 (sn:15045001-99999999)

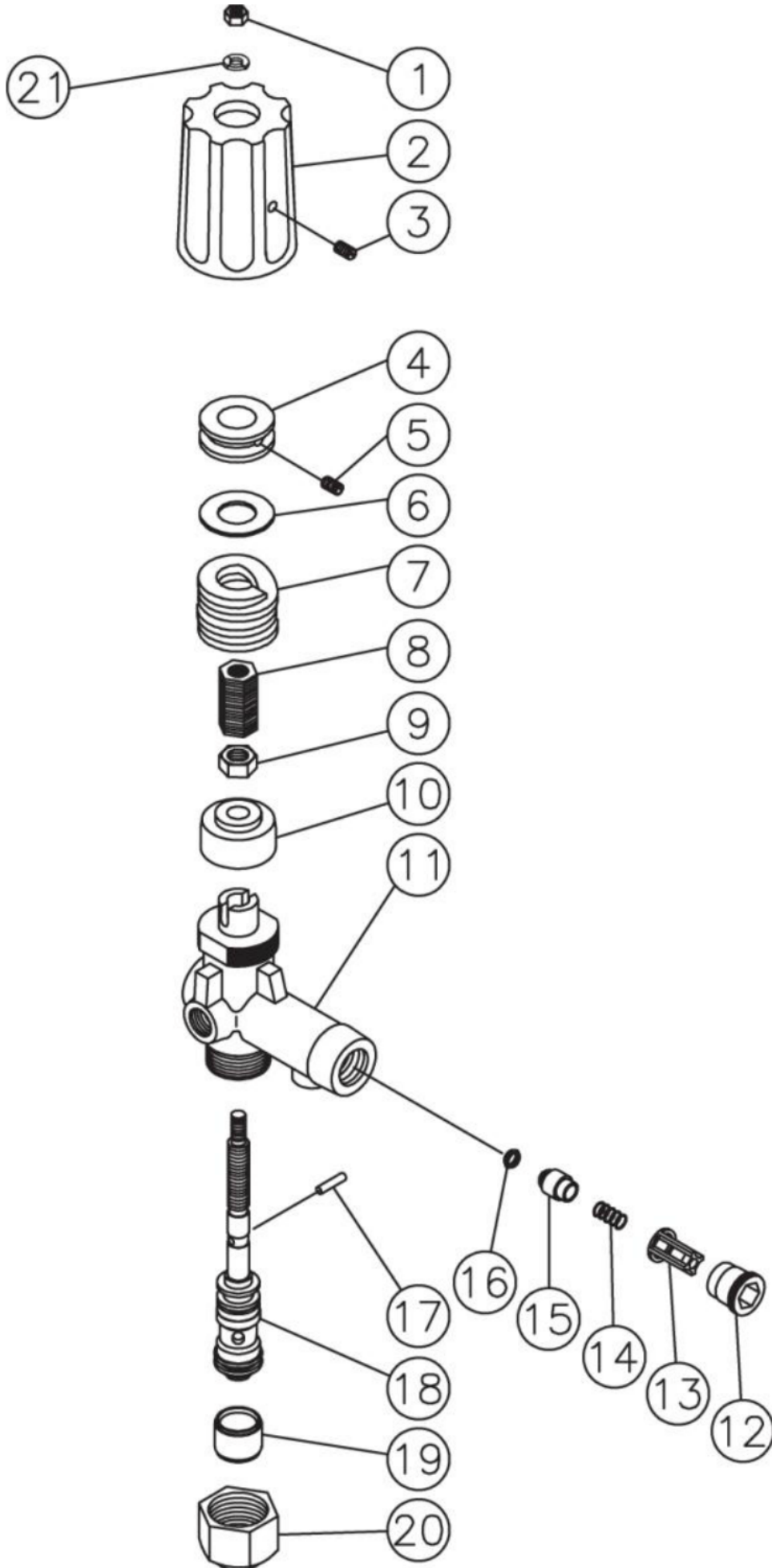
PUMP ASSEMBLY



Id	Item #	Description	Quantity	Rev	Comments
1	46-0889	VALVE PLUG	6		
2	25-0012	O-RING	6		
3	N/A SEP.	VALVE ASSEMBLY (SEE 70-0009)	6		
4	46-0890	MANIFOLD	1		
5	28-1039	FLATWASHER	8		
6	27-8185	BOLT	8		
7	28-1038	WASHER	2		
8	39-0019	PLUG	2		
9	28-1002	WASHER	2		
10	39-0018	PLUG	2		
11	N/A Sep.	O-RING (SEE 70-0030)	3		
12	26-0098	V-PACKING	3		
13	25-0207	RING	3		
14	46-0659	HIGH PRESSURE INTERMEDIATE SEAL RETAINER	3		
15	N/A Sep.	LOW PRESSURE SEAL	3		

Id	Item #	Description	Quantity	Rev	Comments
16	46-0057	LOW PRESSURE SEAL RETAINER	3		
17	25-0015	O-RING	3		
18	26-0047	OIL SEAL	3		
19	9-0029	BUSHING	3		
20	27-8431	BOLT	8		
21	46-0296	CRANKCASE OPEN COVER	1		
22	46-0113	SHIM	1		
23	26-0049	OIL SEAL	1		
24	25-0013	O-RING	2		
25	48-0012	BEARING	2		
26	43-0048	KEY	1		
27	N/A	CRANKSHAFT	1		
28	46-0103	RETAINING RING	6		
29	43-0032	CONNECTING ROD PIN	3		
30	46-0114	OIL LEVEL INDICATOR	1		
31	39-0017	PLUG	1		
32	25-0014	O-RING	4		
33	27-8404	BOLT	5		
34	46-0295	CRANKCASE COVER	1		
35	25-0339	O-RING COVER	1		
36	27-8435	BOLT	6		
37	29-0154	LOCKWASHER	6		
38	46-0051	CONNECTING ROD	3		
39	46-0056	PISTON ROD	3		
40	46-0146	WASHER	3		
41	46-0052	PLUNGER	3		
42	46-0109	BACK-UP RING	3		
43	28-0400	WASHER	3		
44	46-0069	BOLT	3		
45	46-0047	CRANKCASE	1		
46	46-0144	OIL DIP STICK	1		
47	46-0336	CRANKCASE COVER	1		
KIT	70-0009	VALVE KIT (INC. 6 EACH 3)			
KIT	70-0030	HEAD RING KIT (INC. 1 EACH 11)			
KIT	70-0147	V-PACKING KIT (INC. 3 EACH 12, 13, 15)			
KIT	70-0148	INTERMEDIATE RETAINER KIT (INC. 3 EACH 13, 14)			
KIT	852-0122	V-PACKING ASSEMBLY (INC. 3 EACH 11-13, 15, 17)			

UNLOADER ASSEMBLY



Id	Item #	Description	Quantity	Rev	Comments
1	8-0362	HEX NUT	1		
2	7-0098	ADJUSTMENT KNOB	1		
3	27-4280	SET SCREW	1		
4	8-0364	ADJUSTMENT NUT	1		
5	8-0365	SET SCREW	1		
6	8-0366	GLIDE RING	1		
7	49-0104	SPRING	1		
8	8-0363	ADJUSTMENT INSERT	1		
9	8-0367	HEX NUT	1		
10	8-0368	BUSHING	1		
11	8-0369	UNLOADER BODY	1		
12	8-0269	RETAINER	1		
13	8-0104	CHECK VALVE	1		
14	49-0023	SPRING	1		
15	8-0105	VALVE	1		
16	25-0036	O-RING	1		
17	8-0372	CYLINDER PIN	1		
18	70-0243	PISTON ASSEMBLY	1		
19	8-0371	SPACER	1		
20	8-0157	STOP NUT	1		
21	29-0006	LOCKWASHER	1		

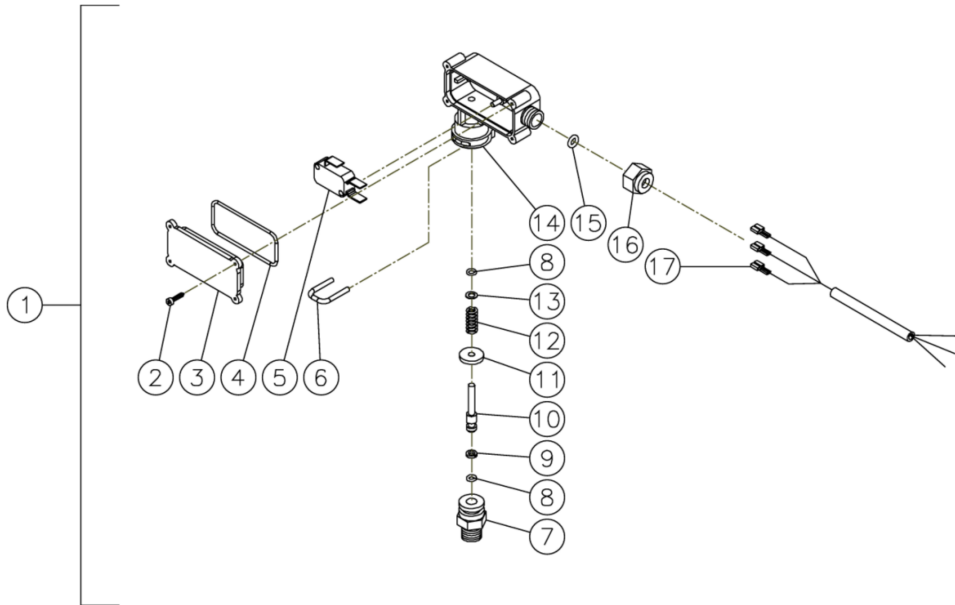
Copyright © 2021 - SmartEquip Inc. and Mi-T-M Corporation

Any redistribution or reproduction of part or all of the contents in any form is prohibited other than print or download to a local hard disk for your individual and non-commercial use. You may send the content to individual third parties for their personal use, but only if you acknowledge the website as the source of the material. You may not, except with our express written permission, distribute or commercially exploit the content. Nor may you transmit it or store it in any other website or other form of electronic retrieval system.



HG-1805-1230 / HG-1805-1230 (sn:15045001-99999999)

PRESSURE SWITCH



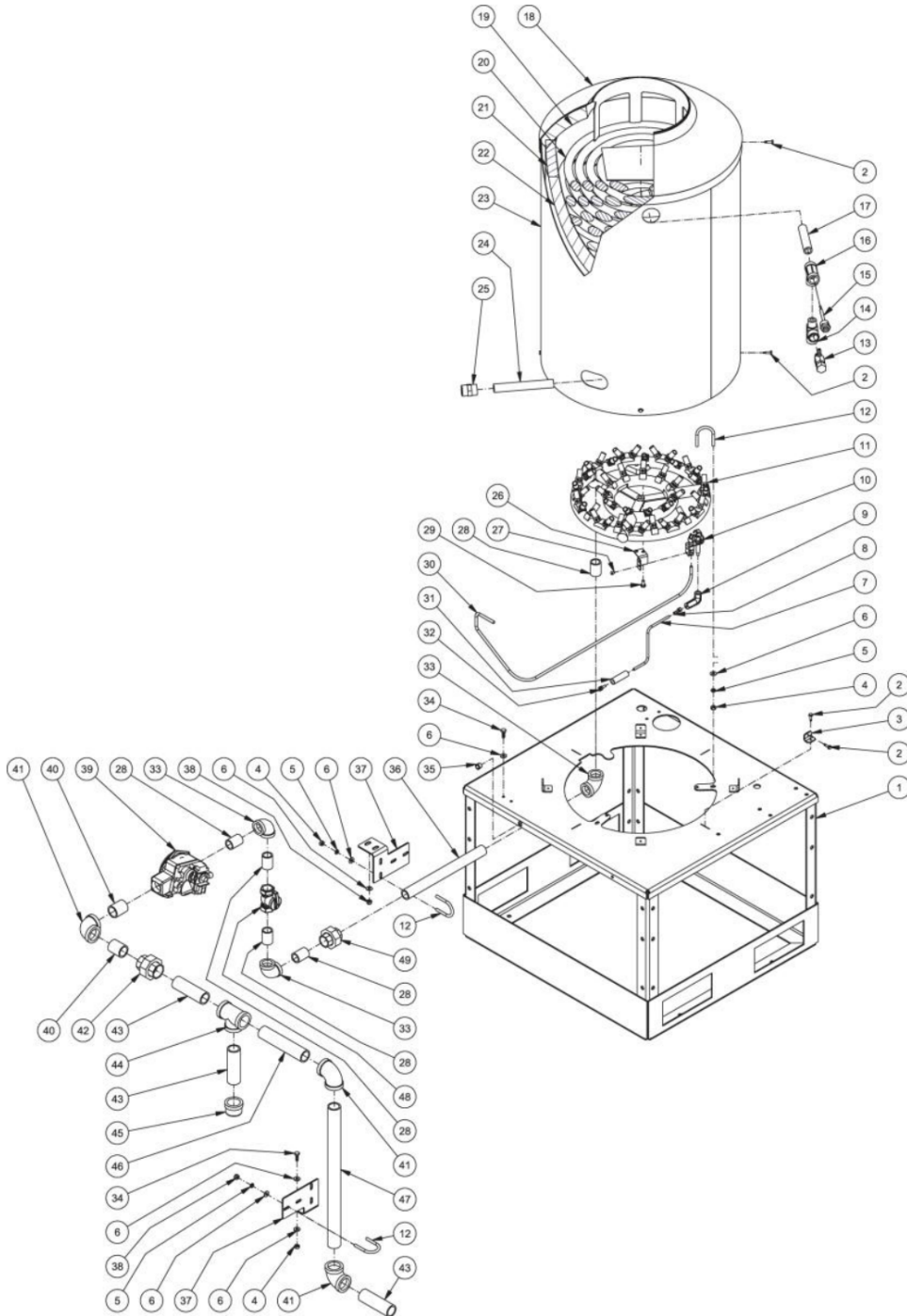
Id	Item #	Description	Quantity	Rev	Comments
1	22-0171	PRESSURE SWITCH- 15 BAR	1		
1	22-0243	PRESSURE SWITCH- 25 BAR	1		
2	N/A	SCREW	4		
3	N/A	COVER	1		
4	N/A Sep.	O-RING (SEE 70-0306)	1		
5	N/A	MICRO SWITCH	1		
6	N/A	RETAINER CLIP	1		
7	N/A	BODY	1		
8	N/A Sep.	O-RING (SEE 70-0306)	2		
9	N/A Sep.	BACK-UP RING (SEE 70-0306)	1		
10	N/A	PISTON	1		
11	N/A	WASHER	1		
12	49-0144	SPRING- 15 BAR	1		
12	49-0145	SPRING- 25 BAR	1		
13	N/A	WASHER	1		
14	N/A	PLASTIC HOUSING	1		

Id	Item #	Description	Quantity	Rev	Comments
15	N/A Sep.	O-RING (SEE 70-0306)	1		
16	N/A	NUT- 15 BAR	1		
16	N/A	NUT- 25 BAR	1		
17	N/A	WIRE ASSEMBLY	1		
KIT	70-0306	O-RING REPAIR KIT (INC. 4, 8-9, 15)			



HG-1805-1230 / HG-1805-1230 (sn:15045001-99999999)

BURNER ASSEMBLY



Id	Item #	Description	Quantity	Rev	Comments
1	5-0174A18	COIL BASE ASSEMBLY	1		

Id	Item #	Description	Quantity	Rev	Comments
2	27-3064	SCREW	16		
3	20-0651A18	COIL RETAINER CLIP	4		
4	30-0002	HEX NUT	8		
5	29-0006	LOCKWASHER	8		
6	28-0002	WASHER	16		
7	44-0117	IGNITER WIRE	1		
8	44-0119	SPARK PLUG TERMINAL	1		
9	44-0118	BOOT	1		
10	44-0115	PILOT BURNER IGNITOR	1		
11	4-0011	NATURAL GAS ASPERATING RING BURNER	1		
12	31-2008	U-BOLT	4		
13	22-0309	SAFETY RELIEF VALVE	1		
14	24-0242	STREET TEE	1		
15	32-0962	ADJUSTABLE THERMOSTAT	1		
16	24-0055	TEE	1		
17	24-0244	PIPE NIPPLE	1		
18	20-0621A18	DOME ASSEMBLY	1		
19	850-0315	INSULATION DONUT	1		
20	66-0016	HEAT EXCHANGER COIL ASSEMBLY	1		
21	850-0314	INSULATION STRIP	1		
22	850-0313	INSULATION BLANKET	1		
23	20-0634A18	OUTERWRAP ASSEMBLY	1		
24	24-0254	PIPE NIPPLE	1		
25	24-0243	ADAPTER	1		
26	13-0107A01	IGNITOR BRACKET	1		
27	27-2096	SLOT PAN	2		
28	24-0095	CLOSE NIPPLE	5		
29	27-0014	BOLT	2		
30	54-0027	TUBING *(THREE FEET REQUIRED)	1		
31	33-0219	HEAT SHRINK *(ONE FOOT REQUIRED)	1		
32	32-0221	TERMINAL	1		
33	24-0102	ELBOW	3		
34	27-0015	BOLT	4		
35	9-0028	SNAP BUSHING	1		
36	24-0258	PIPE NIPPLE	1		
37	20-0667A18	PLUMBING BRACKET	2		
38	30-0155	LOCKNUT	4		
39	22-0144	NATURAL GAS REGULATING VALVE	1		
40	24-0012	CLOSE NIPPLE	2		

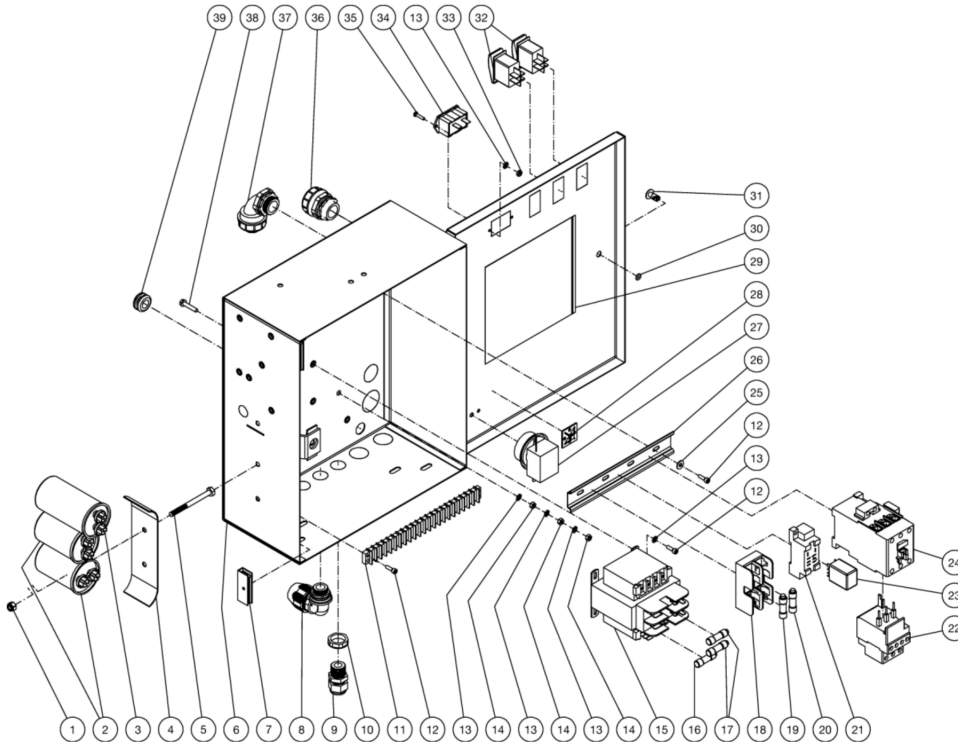
Id	Item #	Description	Quantity	Rev	Comments
41	24-0096	ELBOW	3		
42	24-0259	UNION	1		
43	24-0260	PIPE NIPPLE	3		
44	24-0261	TEE	1		
45	24-0262	CAP	1		
46	24-0097	PIPE	1		
47	24-0263	PIPE NIPPLE	1		
48	22-0336	BALL VALVE	1		
49	24-0101	UNION	1		

*MUST ORDER IN ONE FOOT LENGTHS



HG-1805-1230 / HG-1805-1230 (sn:15045001-99999999)

ELECTRIC BOX



Id	Item #	Description	Quantity	Rev	Comments
1	30-0155	LOCKNUT (3004/3005-1230)	2		
1	30-0155	LOCKNUT (1805/2004-1230/1208)	1		
2	32-0748	CAPACITOR - RUN W/ MOTOR (3005-1230/1208)	2		
2	32-0519	CAPACITOR - RUN W/ MOTOR (1805/2004/3004-1230/1208)	1		
3	32-0686	CAPACITOR - START (W/MOTOR) (1805/2004-1230/1208)	1		
3	32-0747	CAPACITOR - START (W/MOTOR) (3004/3005-1230/1208)	2		
4	20-0538A18	CAPACITOR CLAMP (3004-1230/1208)	1		
4	20-0467	CAPACITOR CLAMP (3005/1230/1208)	2		
4	20-0467	CAPACITOR CLAMP (1805/2004-1230/1208)	1		
5	27-0024	BOLT (3004/3005-1230/1208)	2		
5	27-0024	BOLT (1805/2004-1230/1208)	1		
6	32-0739A18	ELECTRIC BOX	1		
7	33-0390	MAGNETIC CATCH	2		
8	32-0254	CONDUIT ELBOW	1		

Id	Item #	Description	Quantity	Rev	Comments
9	32-0437	STRAIN RELIEF	1		
10	32-0108	ELECTRICAL LOCKNUT	1		
11	32-0463	TERMINAL STRIP	1		
12	27-8835	SCREW	8		
13	28-1009	STAR WASHER	9		
14	30-6001	NUT	3		
15	32-0735	TRANSFORMER	1		
16	32-0743	FUSE	1		
17	32-0741	FUSE (1805/2004/3004/3005-1230)	2		
17	32-0742	FUSE (1805/2004/3004/3005-1208)	2		
18	32-0681	2 POLE FUSE BLOCK (3005-1208)	1		
19	32-1024	FUSE (3005-1208)	1		
20	32-0740	FUSE (3005-1208)	1		
21		SOCKET - RELAY 8 PIN (3005-1208)			
22		OVERLOAD (1805/2004-1230)			
22		OVERLOAD RELAY 45 - 60 AMP (3005-1230/1208)			
22		OVERLOAD RELAY 30 - 45 AMP (3005-1230/1208)			
22		OVERLOAD (1805/2004-1208) (3004-1230/1208)			
23		RELAY - 24V (3005-1208)			
24		CONTACTOR - 30AMP (1805/2004-1230)			
24		CONTACTOR - 45 AMP 3 POLE (1805/2004-1208, 3004-1230/1208)			
24		CONTACTOR - 60 AMP 3 POLE (3005-1230)			
24		CONTACTOR - 60 AMP 3 POLE (3005-1208)			
25		WASHER			
26		DIN RAIL *(ONE FOOT REQUIRED)			
26		DIN RAIL *(ONE FOOT REQUIRED) (3005-1208)			
27		ADJUSTABLE THERMOSTAT			
28		MOUNTING BASE			
29		PLASTIC ZIPLOCK BAG			
30		O-RING			
31		FASTENER			
32		ROCKER SWITCH			
33		NUT (HX-0106 OPTION)			
34		HOUR METER (HX-0106 OPTION)			
35		SCREW (HX-0106 OPTION)			
36		CONDUIT STRAIGHT			
37		CONDUIT ELBOW			
38		BOLT			
39		GROMMET			

Id Item #

Description

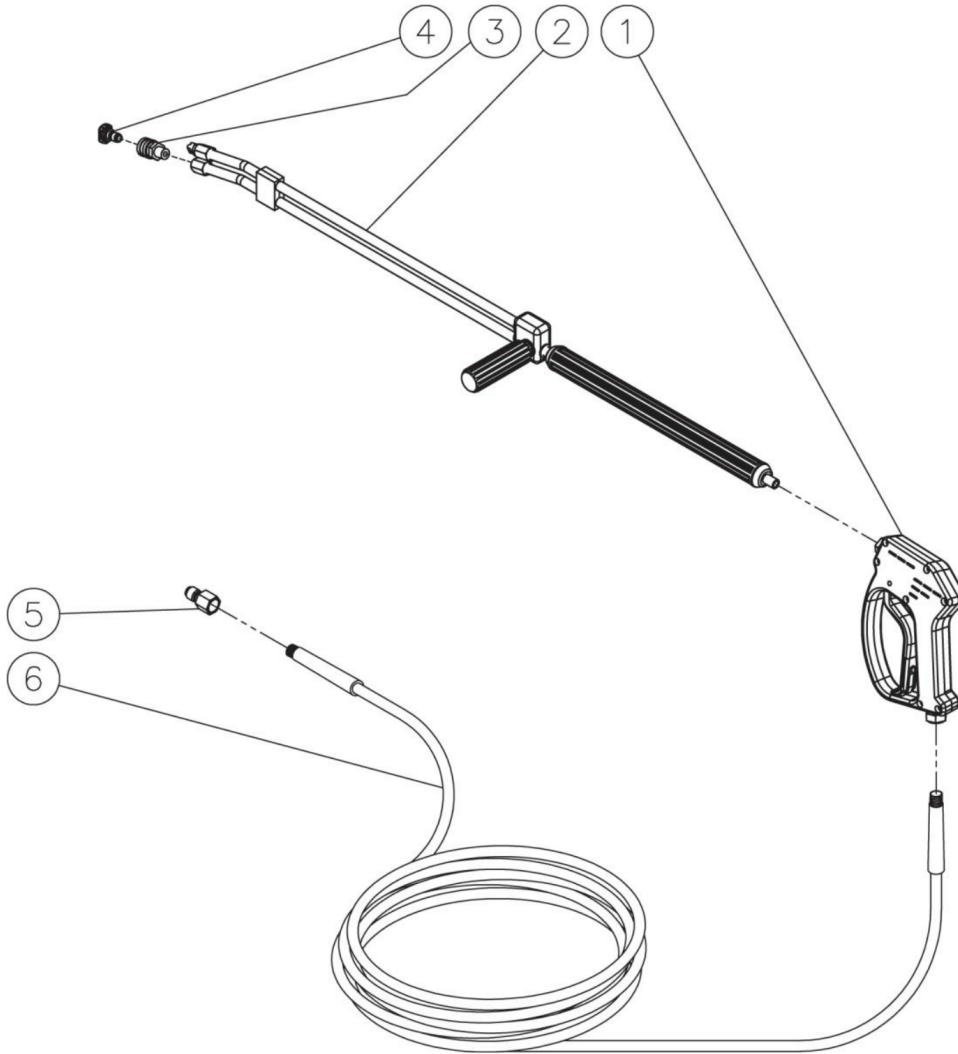
Quantity Rev Comments

*MUST ORDER IN ONE FOOT LENGTHS



HG-1805-1230 / HG-1805-1230 (sn:15045001-99999999)

GUN/WAND/HOSE



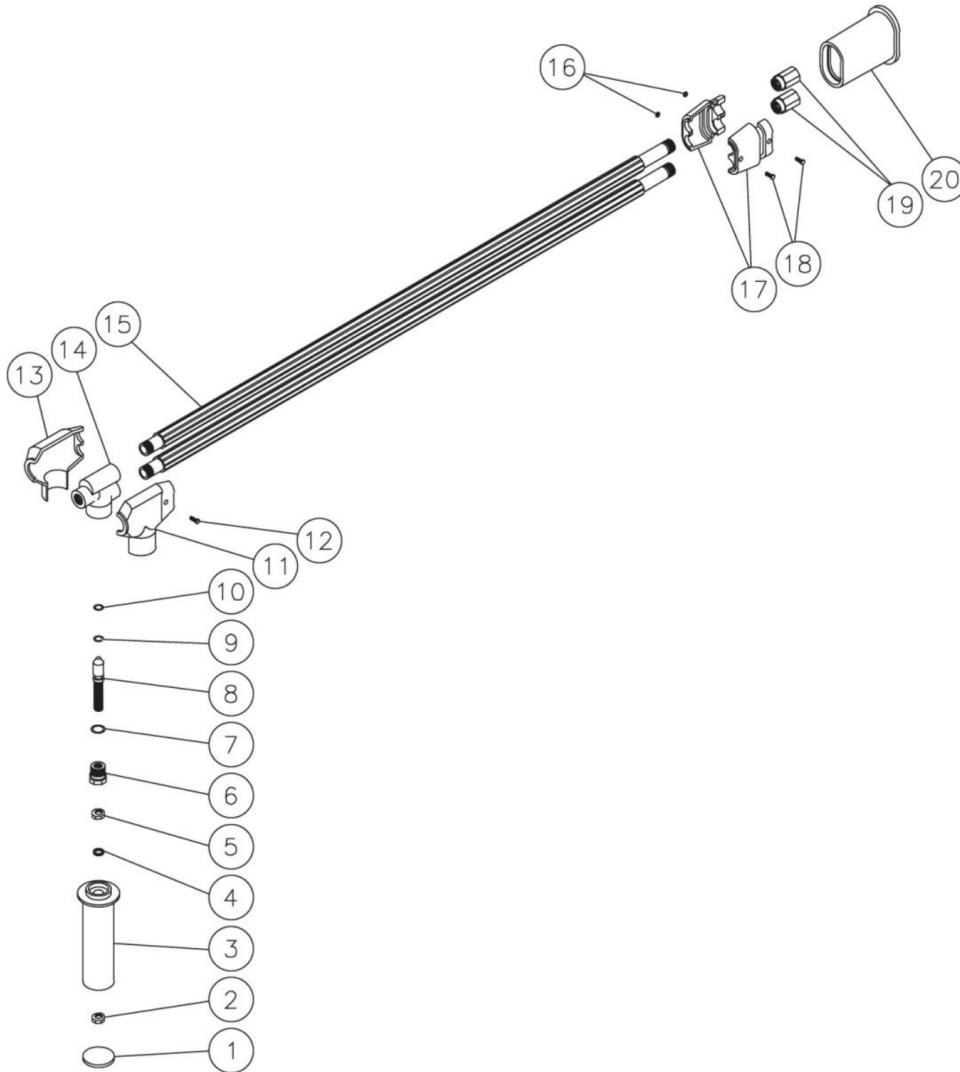
Id	Item #	Description	Quantity	Rev	Comments
1	16-0446	GUN ASSEMBLY	1		
2	16-0417	DUAL LANCE 48" (3005)	1		
2	16-0416	DUAL LANCE 36" (1803/2004/3004)	1		
3	17-0028	QUICK CONNECT SOCKET	1		
4	18-0402	NOZZLE- 0004.5 (3004)	1		
4	18-0403	NOZZLE- 1504.5 (3004)	1		
4	18-0404	NOZZLE- 2504.5 (3004)	1		
4	18-0405	NOZZLE- 4004.5 (3004)	1		

Id	Item #	Description	Quantity	Rev	Comments
4	18-0410	NOZZLE- 0005.5 (3005)	1		
4	18-0411	NOZZLE- 1505.5 (3005)	1		
4	18-0412	NOZZLE- 2505.5 (3005)	1		
4	18-0413	NOZZLE- 4005.5 (3005)	1		
4	18-0414	NOZZLE- 0006 (2004)	1		
4	18-0415	NOZZLE- 1506 (2004)	1		
4	18-0416	NOZZLE- 2506 (2004)	1		
4	18-0417	NOZZLE- 4006 (2004)	1		
4	18-0007	NOZZLE- 0007 (1805)	1		
4	18-0008	NOZZLE- 1507 (1805)	1		
4	18-0009	NOZZLE- 2507 (1805)	1		
4	18-0032	NOZZLE- 4007 (1805)	1		
5	17-0006	QUICK CONNECT PLUG	1		
6	15-0166	HIGH PRESSURE HOSE ASSEMBLY 4500 PSI	1		
6	15-0146	HIGH PRESSURE HOSE ASSEMBLY 3000 PSI	1		



HG-1805-1230 / HG-1805-1230 (sn:15045001-99999999)

ANGLED DUAL LANCE



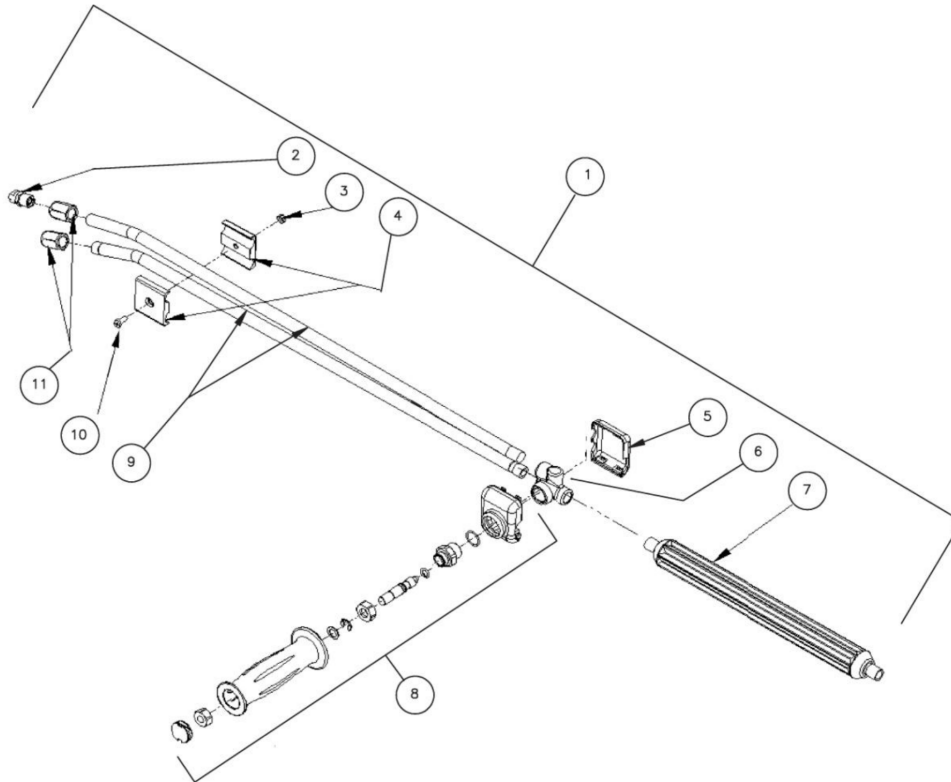
Id	Item #	Description	Quantity	Rev	Comments
1	16-0312	HANDLE PLUG	1		
2	30-3002	HEX NUT	1		
3	16-0313	HANDLE	1		
4	28-1021	WASHER	1		
5	30-3010	HEX NUT	1		
6	23-0271	HEX ADAPTER	1		
7	25-0351	O-RING	1		

Id	Item #	Description	Quantity	Rev	Comments
8	16-0314	PISTON STEM	1		
9	25-0352	BACK-UP RING	1		
10	25-0353	O-RING	1		
11	16-0315	UPPER PROTECTOR	1		
12	27-8862	SELF TAPPING SCREW	1		
13	16-0316	LOWER PROTECTOR	1		
14	23-0272	BODY	1		
15	N/A	ANGLED LANCE W/PROTECTIVE COVER	2		
16	30-3060	HEX NUT	2		
17	16-0318	PIPE CLAMP	2		
18	27-8861	SCREW	2		
19	24-0127	NIPPLE	2		
20	16-0319	NOZZLE PROTECTOR	1		
	70-0143	O-RING KIT (INC. 7, 9, 10)			



HG-1805-1230 / HG-1805-1230 (sn:15045001-99999999)

DUAL LANCE



Id	Item #	Description	Quantity	Rev	Comments
1	16-0416	DUAL LANCE ASSEMBLY - 36" (INC. 2-11)	1		
1	16-0417	DUAL LANCE ASSEMBLY - 48" (INC. 2-11)	1		
2	18-0110	DETERGENT NOZZLE	1		
3	30-6001	NUT	1		
4	16-0420	CLAMP	2		
5	N/A Sep.	LOWER VALVE COVER (SEE 16-0416 OR 16-0417)	1		
6	N/A Sep.	HOUSING (SEE 16-0416 OR 16-0417)	1		
7	16-0419	LANCE	1		
8	70-0419	HANDLE REPAIR KIT	1		
9	N/A Sep.	LANCE (SEE 16-0416)	2		
9	N/A Sep.	LANCE (SEE 16-0417)	2		
10	27-8196	SCREW	1		

Id	Item #	Description	Quantity	Rev	Comments
11	24-0280	NOZZLE ADAPTER	2		