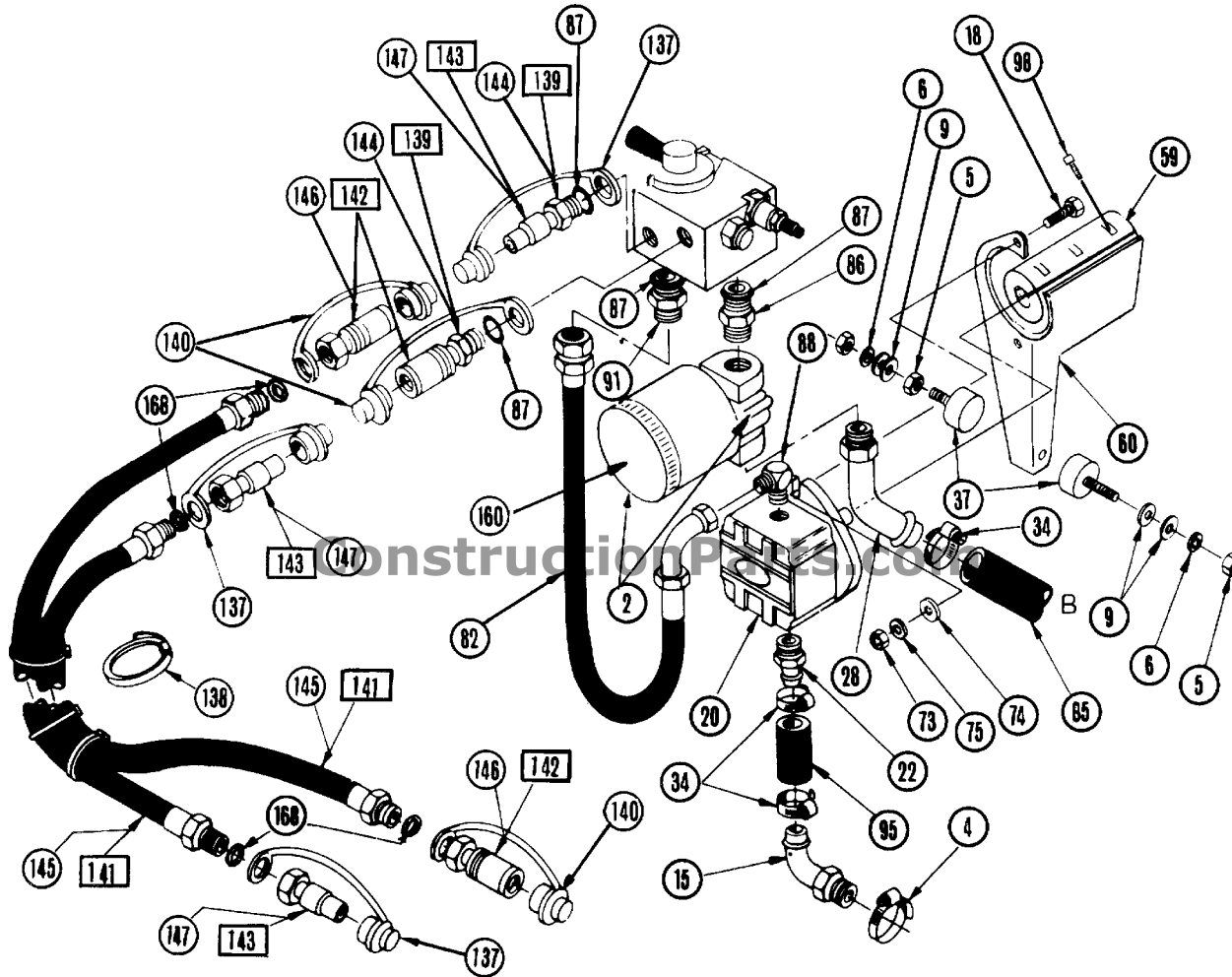


A



XXX Indicates parts with NPT threads (USA)

506 17 43-24 Hose set cpl. with couplers, 30 feet, NPT threads (USA)

506 17 43-21 Hose set cpl. with couplers (incl. water hose) , 7 meters, BSP threads

- 2 531 03 12-50 Manifold/ Filter CPL
- 4 531 03 12-52 Clamp, Hose at Tank
- 5 531 03 11-75 Nut, 1/4"NC HH PL
- 6 735 11 64-50 Washer, Lock 8
- 9 503 23 01-01 Washer, Flat 8

- 15 531 03 11-59 Fitting, at Tank
- 18 506 03 32-02 Bolt, M6S 8x37
- 20 531 03 11-72 Pump Hydraulic
- 22 531 03 11-76 Fitting, at Pump
- 28 531 03 12-03 Fitting, Hose Cooler

- 34 502 40 93-01 Clamp, Hose, at Filter
- 37 531 03 11-74 Rubber Mounting
- 59 531 03 11-71 Coupler, Pump/Engine
- 60 531 03 15-87 Bracket, Pump Support
- 73 732 21 18-01 Nut, LockM8

- 74 503 23 01-01 Washer, Flat 8
- 75 735 11 64-50 Washer, Lock 8
- 82 531 03 11-80 Hose, Pressure
- 85 531 03 11-57 Hose RET.2575-12x34"
- 86 531 03 12-01 Fitting, at Filter

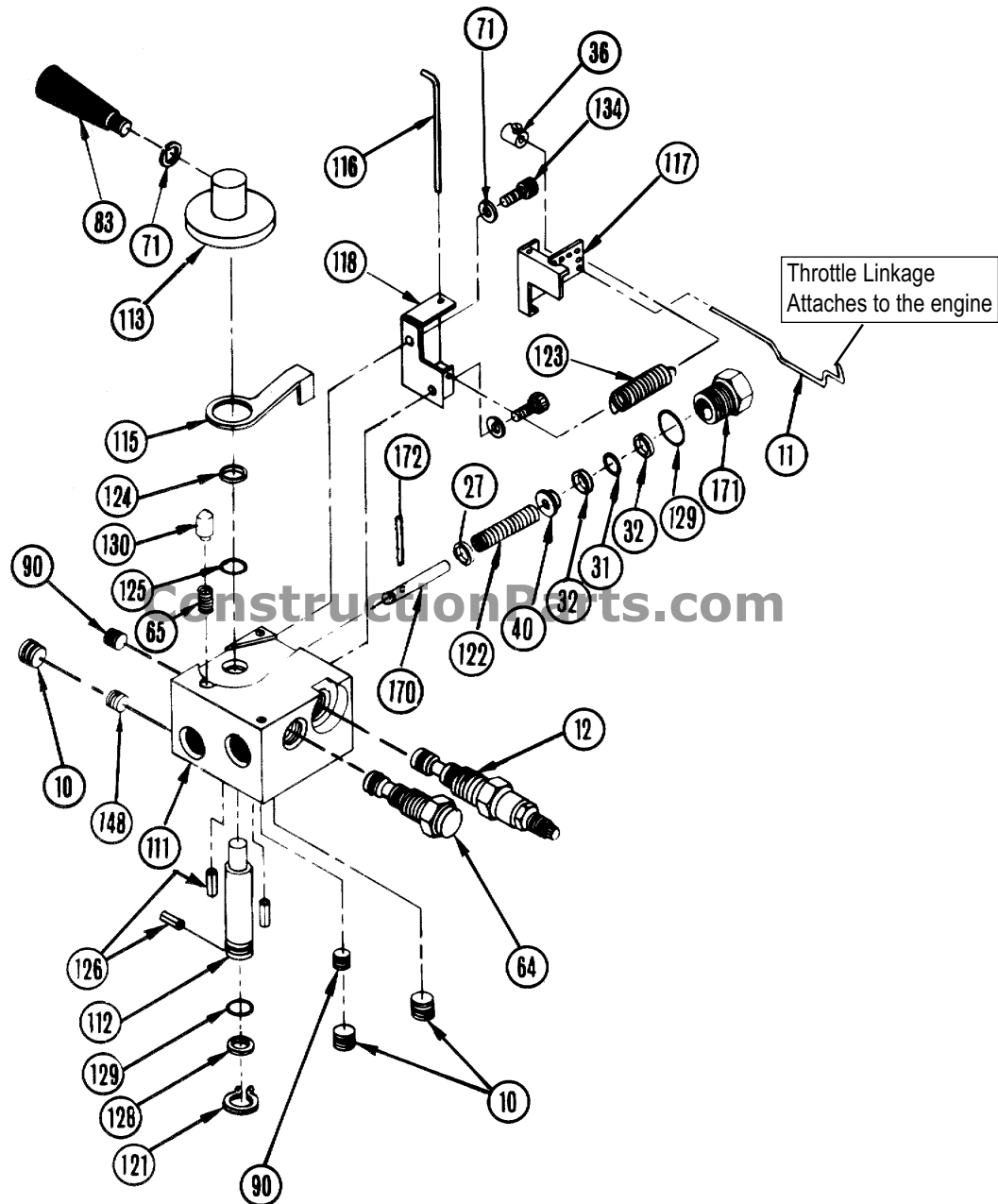
- 87 740 48 13-03 O-ring, 18,72 x2.62
- 88 531 03 11-79 Fitting, at Pump
- 91 531 03 11-98 Fitting, Hose Pump
- 95 531 03 11-77 Hose, Pump Suction
- 98 725 53 70-55 Bolt, MC6S 6x20

- 137 506 11 44-01 Dust cover 1/2"FF Male
- 138 506 17 47-10 Tie, (for hose)
- 139 505 51 02-72 Fitting NPT (USA)
- 140 506 17 37-01 Dust cover 1/2"FF Female
- 141 506 17 44-24 Hose 1/2"x 30', NPT (USA)

- 142 506 17 36-24 Coupl. FF 1/2" NPT Female (USA)
- 143 506 17 38-24 Coupl. FF 1/2"NPT Male (USA)
- 144 531 03 11-41 Fitting BSP
- 145 506 17 44-20 Hose 1/2"x 9,14m BSP
- 146 506 17 36-21 Coupl. FF 1/2" BSP Female

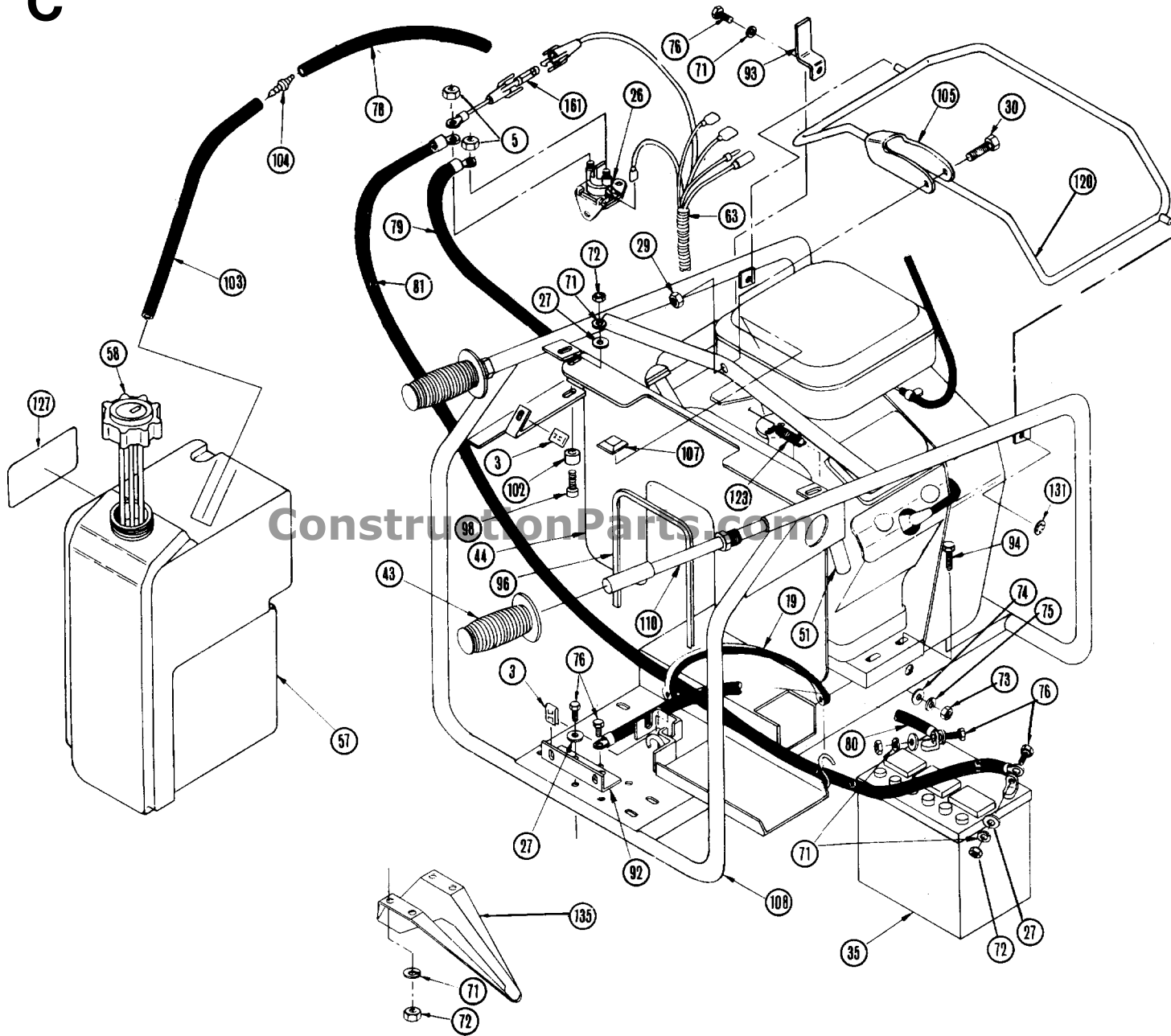
- 147 506 17 38-21 Coupl. FF 1/2"BSP Male
- 160 531 03 12-02 Filter, Hydraulic Oil
- 168 740 38 40-01 Sealing Washer

B

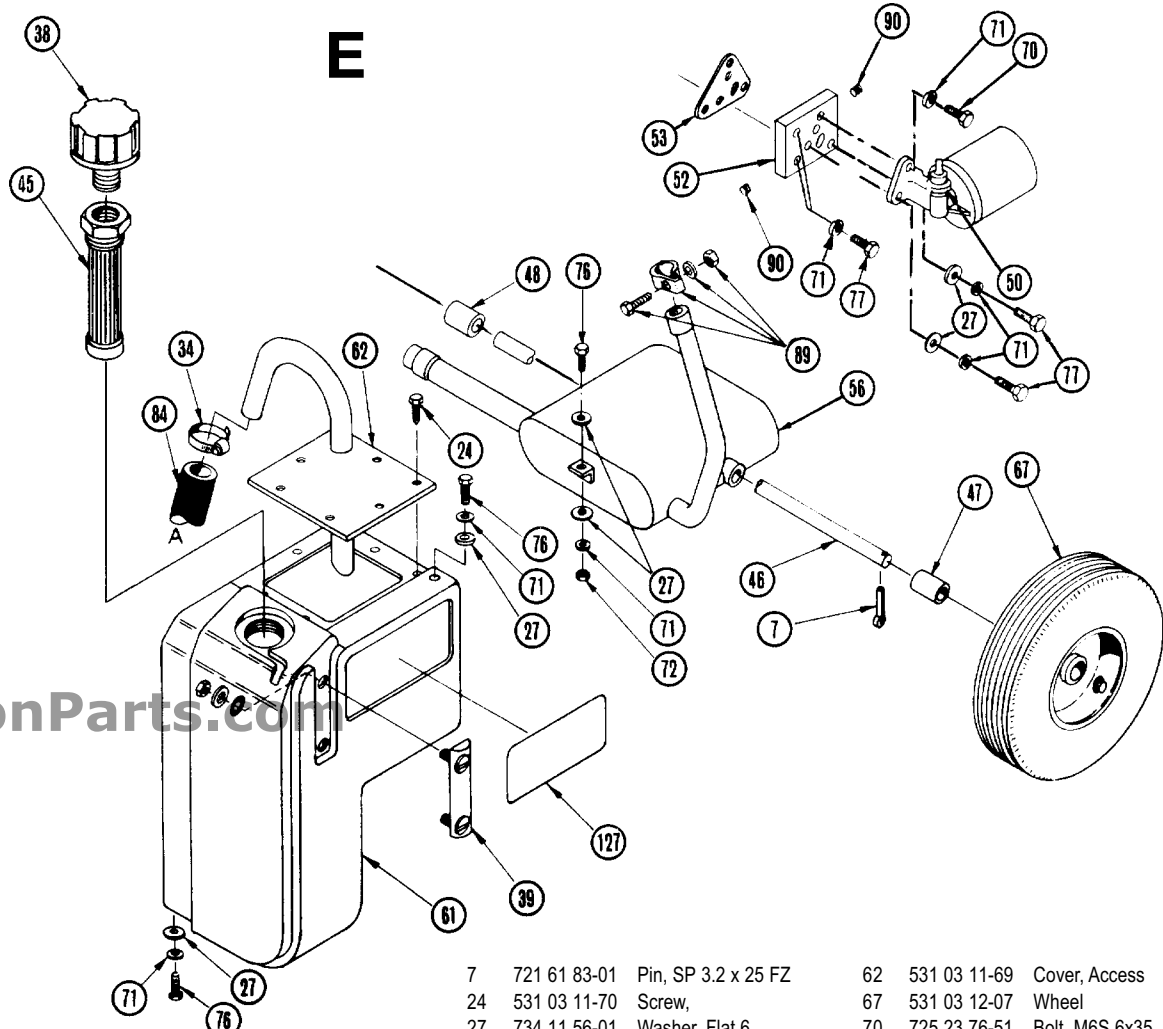
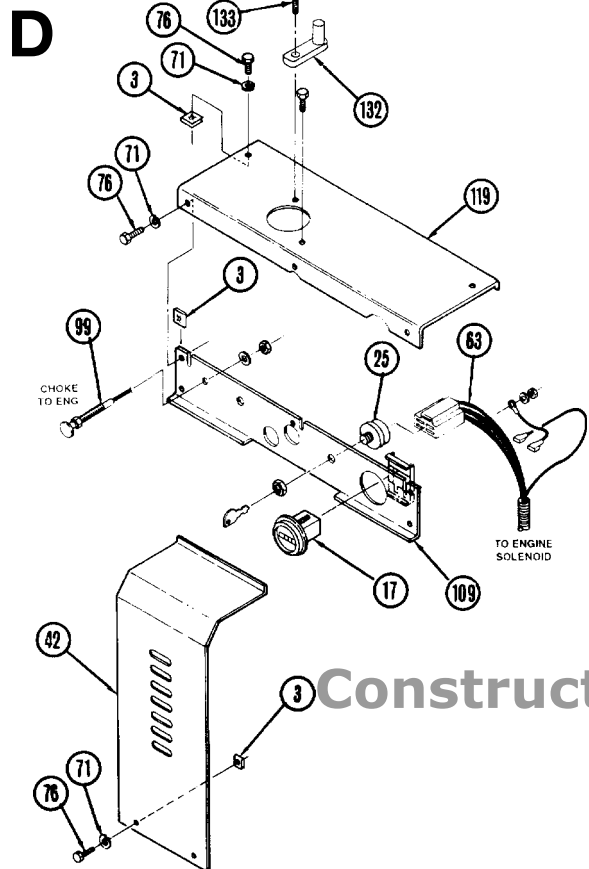


- | | | |
|-----|--------------|-------------------------|
| 10 | 531 03 11-96 | Plug 1/8"NPT,Allen |
| 11 | 531 03 15-88 | Throttle Link |
| 12 | 531 03 11-91 | Valve, Press Relief |
| 27 | 734 11 56-01 | Washer, Flat 6 |
| 31 | 740 48 06-02 | O-ring 6.07x1,78 |
| 32 | 531 03 15-71 | Backup Ring |
| 36 | 531 03 15-91 | Stop Ring, Throttle |
| 40 | 531 03 15-70 | Retainer |
| 64 | 531 03 11-92 | Valve, Hydraulic Flow |
| 65 | 531 03 11-87 | Spring, Detent |
| 71 | 734 11 53-01 | Washer, Lock |
| 83 | 531 03 11-90 | Handle, Flow Select |
| 90 | 531 03 11-46 | Plug,1/16" NPT, Allen |
| 111 | 531 03 15-57 | Manifold, Valve |
| 112 | 531 03 15-58 | Valve, Flow Select |
| 113 | 531 03 15-66 | Knob, Flow Select |
| 115 | 531 03 15-65 | Lever Throttle Stop |
| 116 | 531 03 15-76 | Pin, Hinge |
| 117 | 531 03 15-75 | Lever Throttle Contr. |
| 118 | 531 03 15-74 | Bracket Thrott. Contr. |
| 121 | 531 03 15-62 | Retaining ring 3/4" |
| 122 | 531 03 15-69 | Spring, Piston |
| 123 | 531 03 15-52 | Spring, Return Throttle |
| 124 | 531 03 15-64 | Backup Ring |
| 125 | 740 48 17-02 | O-Ring 18,77x1,78 |
| 126 | 721 42 06-00 | Pin FRP 3x12 |
| 128 | 531 03 15-61 | Backup Ring |
| 129 | 740 48 15-02 | O-Ring 15,60x1,78 |
| 130 | 531 03 15-67 | Plunger, Detent |
| 134 | 725 53 64-01 | Bolt, MCGS 6x10 |
| 148 | 531 03 11-93 | Orifice |
| 170 | 531 03 15-93 | Piston Throttle |
| 171 | 531 03 15-94 | Cap Throttle Control |
| 172 | 721 41 87-70 | PIN |

C



- | | | |
|-----|--------------|-------------------------|
| 3 | 531 03 11-64 | Nut |
| 5 | 531 03 11-75 | Nut, 1/4"NC HH PL |
| 19 | 531 03 12-16 | Strap, Batt. Holder |
| 26 | 531 03 12-15 | Starter Solenoid |
| 27 | 734 11 56-01 | Washer, Flat 6 |
| 29 | 731 23 20-01 | Nut,M10 |
| 30 | 725 25 00-71 | Bolt, M6S 10x4 |
| 35 | 506 78 88-01 | Battery 24AH |
| 43 | 531 03 12-34 | Grip, Handle |
| 44 | 531 03 12-17 | Baffle, Heat |
| 51 | 531 03 11-48 | Manifold, Exhaust |
| 57 | 531 03 12-27 | Tank, Fuel |
| 58 | 531 03 12-28 | Cap/Gauge Fuel |
| 63 | 531 03 21-25 | Wiring, Complete |
| 71 | 734 11 53-01 | Washer, Lock |
| 72 | 731 23 16-01 | Nut, MG |
| 73 | 732 21 18-01 | Nut, LockM8 |
| 74 | 503 23 01-01 | Washer, Flat 8 |
| 75 | 735 11 64-50 | Washer, Lock 8 |
| 76 | 725 23 68-51 | Bolt, MGS 6x16 |
| 78 | 531 03 12-29 | Hose, Fuel L = 220mm |
| 79 | 531 03 12-14 | Cable, Starter, Red 8" |
| 80 | 531 03 12-12 | Cable, Batt. Black 16" |
| 81 | 531 03 12-13 | Cable, Battery, Red 34" |
| 92 | 531 03 12-10 | Bracket, Pump Cover |
| 93 | 531 03 12-32 | Bracket, Hose Support |
| 94 | 506 03 32-02 | Bolt M6S-8x37 |
| 96 | 531 03 12-18 | Trim |
| 98 | 725 53 70-55 | Bolt, MC6S 6x20 |
| 102 | 531 03 12-35 | Guide, Tank Support |
| 103 | 531 03 12-29 | Hose, Fuel Tank 480mm |
| 104 | 531 03 12-30 | Fitting, Fuel |
| 105 | 531 03 12-36 | Bracket, Lifting Eye |
| 107 | 531 03 15-82 | Bumper, Filter Cover |
| 108 | 531 03 15-51 | Frame Mark II |
| 110 | 531 03 15-80 | Handle, Bar MklI |
| 120 | 531 03 15-81 | Holder, Hose Compl. |
| 123 | 531 03 15-52 | Spring, Return Thrott |
| 127 | 531 03 15-84 | Partner HP40-II Decal |
| 131 | 735 58 41-00 | Washer, Locking |
| 135 | 531 03 15-77 | Foot, Rear |
| 161 | 531 03 12-53 | Fuse, 30 AMP |



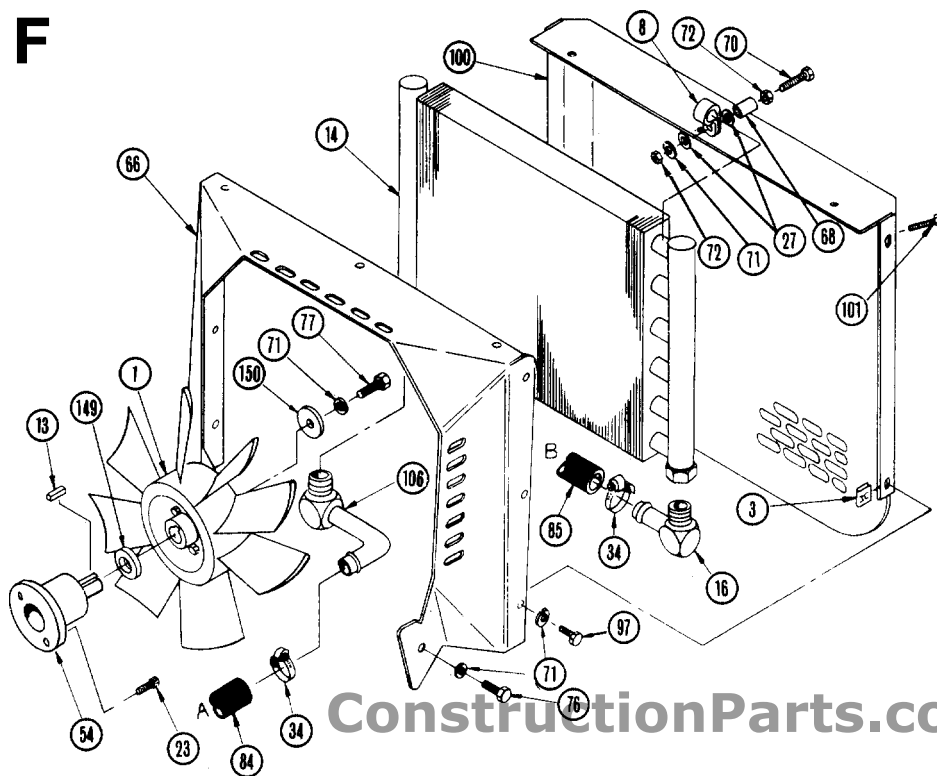
- 3 531 03 11-64 Nut
- 17 531 03 12-23 Gauge, Hour Meter
- 25 531 03 12-24 Switch, Ignition
- 42 531 03 21 26 Panel, Filter
- 63 531 03 21-25 Wiring, Complete

- 71 734 11 53-01 Washer, Lock
- 76 725 23 68-51 Bolt, MGS 6x16
- 99 531 03 12-21 Cable, Choke
- 109 531 03 15-78 Panel Controls MkII
- 119 531 03 15-79 Panel, Top MkII

- 132 531 03 15-90 Lever Stop, Valve Pos.
- 133 725 23 66-51 Bolt, M6S 6x12

- 7 721 61 83-01 Pin, SP 3.2 x 25 FZ
- 24 531 03 11-70 Screw,
- 27 734 11 56-01 Washer, Flat 6
- 34 502 40 93-01 Clamp, Hose, at Filter
- 38 531 03 11-67 Cap, Hydr. Tank
- 39 531 03 11-68 Gauge, Sight/Temp
- 45 531 03 11-66 Strainer
- 46 531 03 12-04 Axle
- 47 531 03 12-05 Spacer, Right Wheel
- 48 531 03 12-06 Spacer, Left Wheel
- 50 531 03 11-47 Switch, Oil Pressure
- 52 531 03 11-45 Manifold, Oil Filter
- 53 531 03 11-44 Gasket, Manifold
- 56 531 03 11-50 Muffler
- 61 531 03 11-65 Tank, Hydraulic
- 62 531 03 11-69 Cover, Access
- 67 531 03 12-07 Wheel
- 70 725 23 76-51 Bolt, M6S 6x20
- 71 734 11 53-01 Washer, Lock
- 72 731 23 16-01 Nut, MG
- 76 725 23 68-51 Bolt, MGS 6x16
- 77 725 23 70-51 Bolt, MGS 6x20
- 84 531 03 11-01 Hose, RET.2575-12X25"
- 89 531 03 11-49 Clamp, Exhaust
- 90 531 03 11-46 Plug, 1/6" NPT, Allen
- 127 531 03 15-84 Partner HP40-II Decal

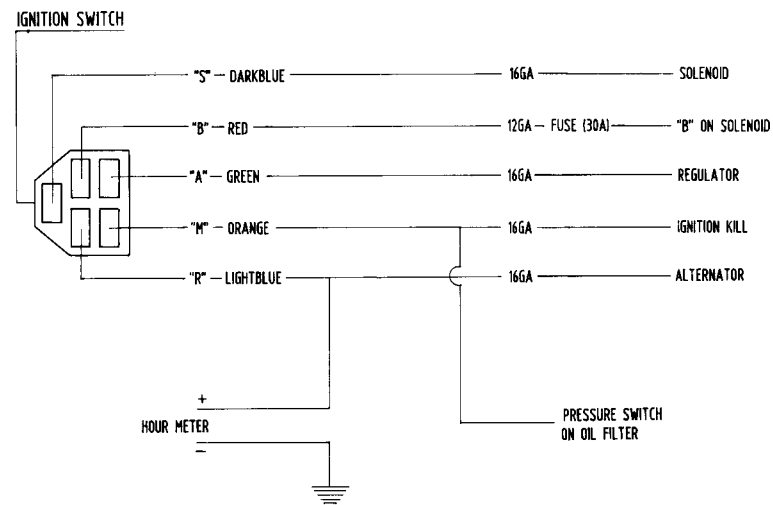
F



ConstructionParts.com

- | | | | | | |
|----|--------------|------------------------|-----|--------------|-----------------------|
| 1 | 531 03 11-54 | Fan, Hydraulic Cooler | 76 | 725 23 68-51 | Bolt, MGS 6x16 |
| 3 | 531 03 11-64 | Nut | 77 | 725 23 70-51 | Bolt, MGS 6x20 |
| 8 | 531 03 11-61 | Clamp, Cooler MTG | 84 | 531 03 11-01 | Hose, RET.2575-12X25" |
| 13 | 531 03 15-54 | Key,3/16"x1.19" | 85 | 531 03 11-57 | Hose RET.2575-12x34" |
| 14 | 531 03 11-55 | Cooler | 97 | 725 23 66-51 | Bolt, M6S 6x12 |
| 16 | 531 03 11-56 | Fitting, Right | 100 | 531 03 11-60 | Grill |
| 23 | 531 03 11-52 | Bolt, 5/16 NC x3/4" | 101 | 531 03 12-38 | Bolt, 6x30 Frame |
| 27 | 734 11 56-01 | Washer, Flat 6 | 106 | 531 03 15-56 | Fitting, Left |
| 34 | 502 40 93-01 | Clamp, Hose, at Filter | 149 | 531 03 15-55 | Spacer, Fan |
| 54 | 531 03 15-53 | Shaft, Fan MarkII | 150 | 503 23 01-13 | Washer Fan 6.4x18.9 |
| 66 | 531 03 11-63 | Shroud, Cooler | | | |
| 68 | 531 03 11-62 | Spacer, Cooler | | | |
| 70 | 725 23 76-51 | Bolt, M6S 6x35 | | | |
| 71 | 734 11 53-01 | Washer, Lock | | | |
| 72 | 731 23 16-01 | Nut, MG | | | |

G



H



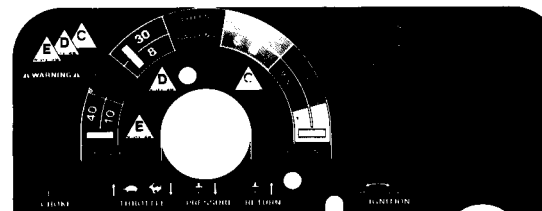
531 03 15-84



531 03 15-86



531 03 12-44



531 03 15-85



531 03 12-45



531 03 12-48