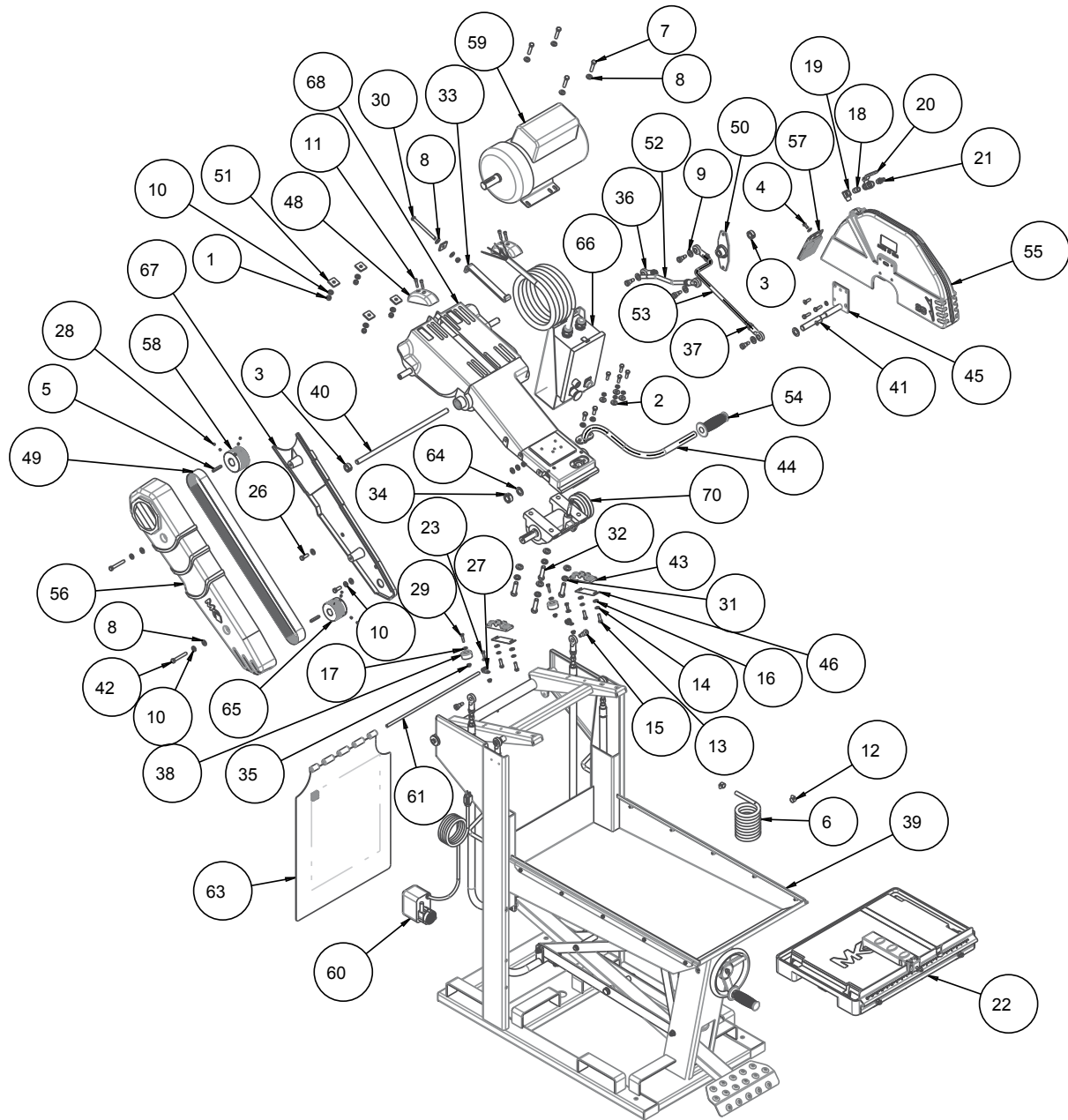


FIGURE 1 - MK-5009T BLOCK SAW 9HP 3PH 208-230V/460V P/N 160646 & 160646-460



ITEM	DESCRIPTION	PART #	QTY
1	NUT, HEX, 3/8-16	101188	6
2	WASHER, 51/6 FLAT CUT	101352	4
3	COLLAR, 1.13 ODX .625ID .5 WIDE	140012	2
4	SCREW, HEX HEAD, 1/4-20 X 5/8	150404	1
5	KEY, 1/4 SQR X 1-1/34	150796	2
6	HOSE, EATER VINYL, 3/8 X 1/2 (72.0")	150923	9
7	SCREW, HEX HD, 3/8-16 X 1-3/4	150920	4
8	WASHER, FLAT, SAE, 3/8	150923	11
9	WASHER, 1/2 FLAT, SAE	150924	8

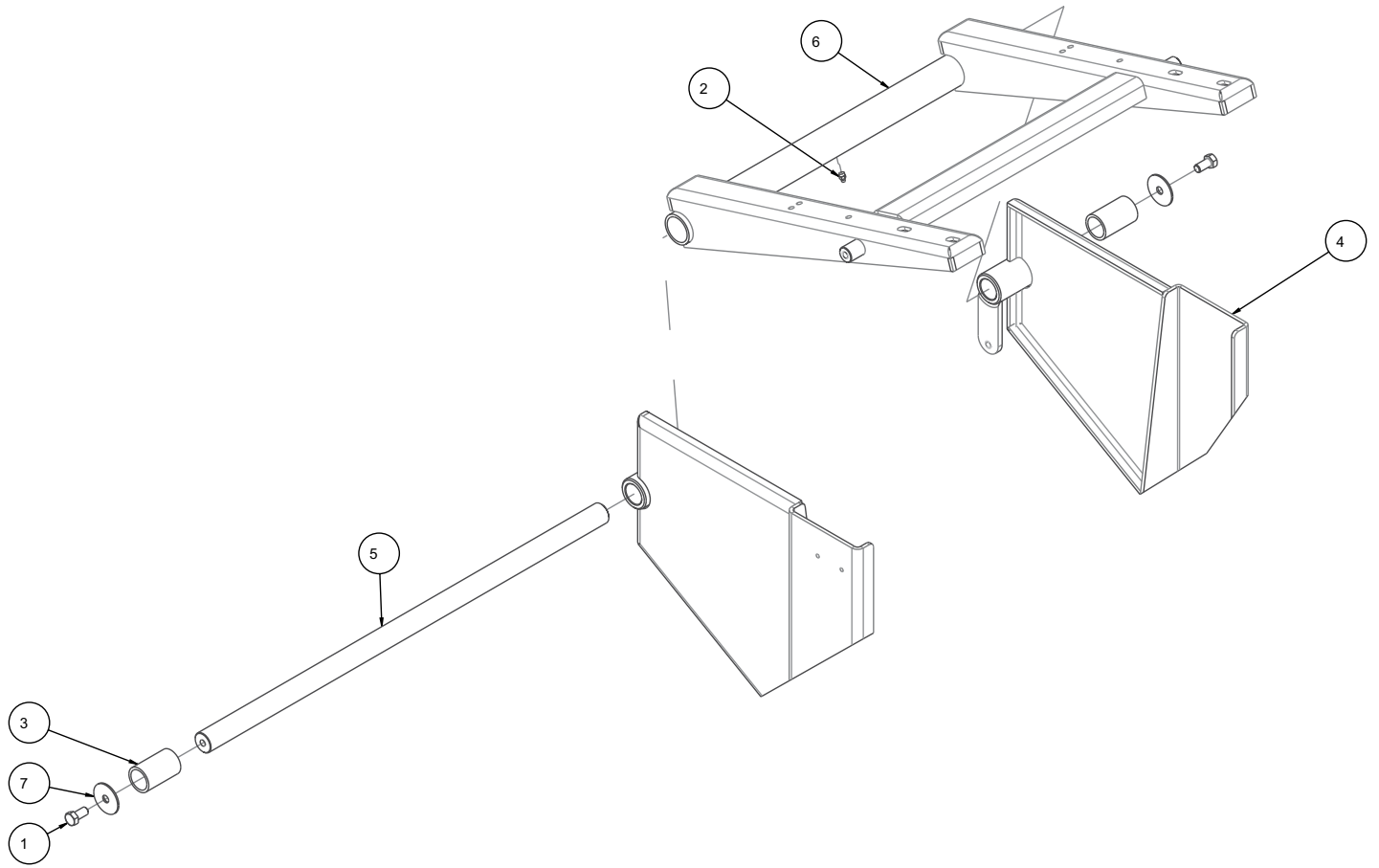
FIGURE 1 - MK-5009T BLOCK SAW 9HP 3PH 208-230V/460V P/N 160646 & 160646-460

ITEM	DESCRIPTION	PART #	QTY
10	WASHER, LOCK, SPLIT, 3/8	150925	10
11	SCREW, SOC HD CAP, 1/4-20 X 1	151049	4
12	CLAMP, HOSE, 5/8	151198	2
13	SCREW, HEX HD, 5/16-18 X 1	151743	10
14	WASHER, LOCK, SPLIT, 5/16	151747	9
15	SCREW, SHOULDER, 1/2 X 1/2	151753	6
16	WASHER, FLAT, SAE, 5/16	151754	4
17	WASHER, FLAT, SAE, 1/4	151915	5
18	NIPPLE, 3/8 MNPT X CLOSE	152073	1
19	ELBOW, STREET, 3/8 NPT X 90, BRASS	152074	1
20	VALVE, BALL 3/8"	152075	1
21	FITTING, 3/8 MNPT X 3/8 BARB	152076	1
22	ASSY, TA BLE MK5000	151124	1
23	SCREW, HEX HD, 1/4-20X3/4	152370	2
24	CARTON, MK-5000 ACCESSORY PACK	152432	1
25	INSERT, MK-5000 ACCESSORY PACK	152433	1
26	SCREW, HEX HD CAP, 3/8-16 X 1	152507	4
27	CLAMP, CUSHION LOOP 3/8	152592	2
28	SCREW, SET, CPU PT, 5/16 -18 X 1/4	152607	8
29	SCREW, HEX HD, TAP, 1/4-20 X 1	152676	2
30	SCREW, HEX HD, TAP, 3/8-18X1/4	152607	8
31	WASHER, 1/2 SPLIT LOCK	153524	4
32	SCREW, HEX HD 1/2 -13 X 2	153533	4
33	STRAP, MOTOR ADJUSTMNT	153611	1
34	COLLAR, SET, 3/4"	153814	1
35	NUT, HEX, TW, 1/4-20	153941	4
36	JOINT, SPHERICAL FEM, 1/2-20RH	154387	4
37	NUT, JAM, 1/2-20	154460	4
38	BUMPER, 1/4 ID X 1-1/12OD X 3/4	154496	2
39	ASSY, FRAME	154629	1
40	SHAFT, PIVOT, CUTTING HEAD	154828	1
41	SCREW, 5/16-18 X 1.0 FLAT HEAD SOCKET	15552	2
42	BOLT, 3/8-16 X 2-1/2 HEX HEAD TAP	155589	2
43	PILLOW BLOCK (COMP0	155762	2
44	HANDLE, CUTTING HEAD MK5000 20"	155851	1
45	SHAFT, BLADE GUARD PIVOT	155886	1
46	SHIM, .025 PILLOW BLOCK	155905	2
47	COIL, STARTER 240V	156208	1
48	BLOCK COVER (COMP)	156265	2
49	BELT, 16J610	156551	1

FIGURE 1 - MK-5009T BLOCK SAW 9HP 3PH 208-230V 20" BG P/N 160646

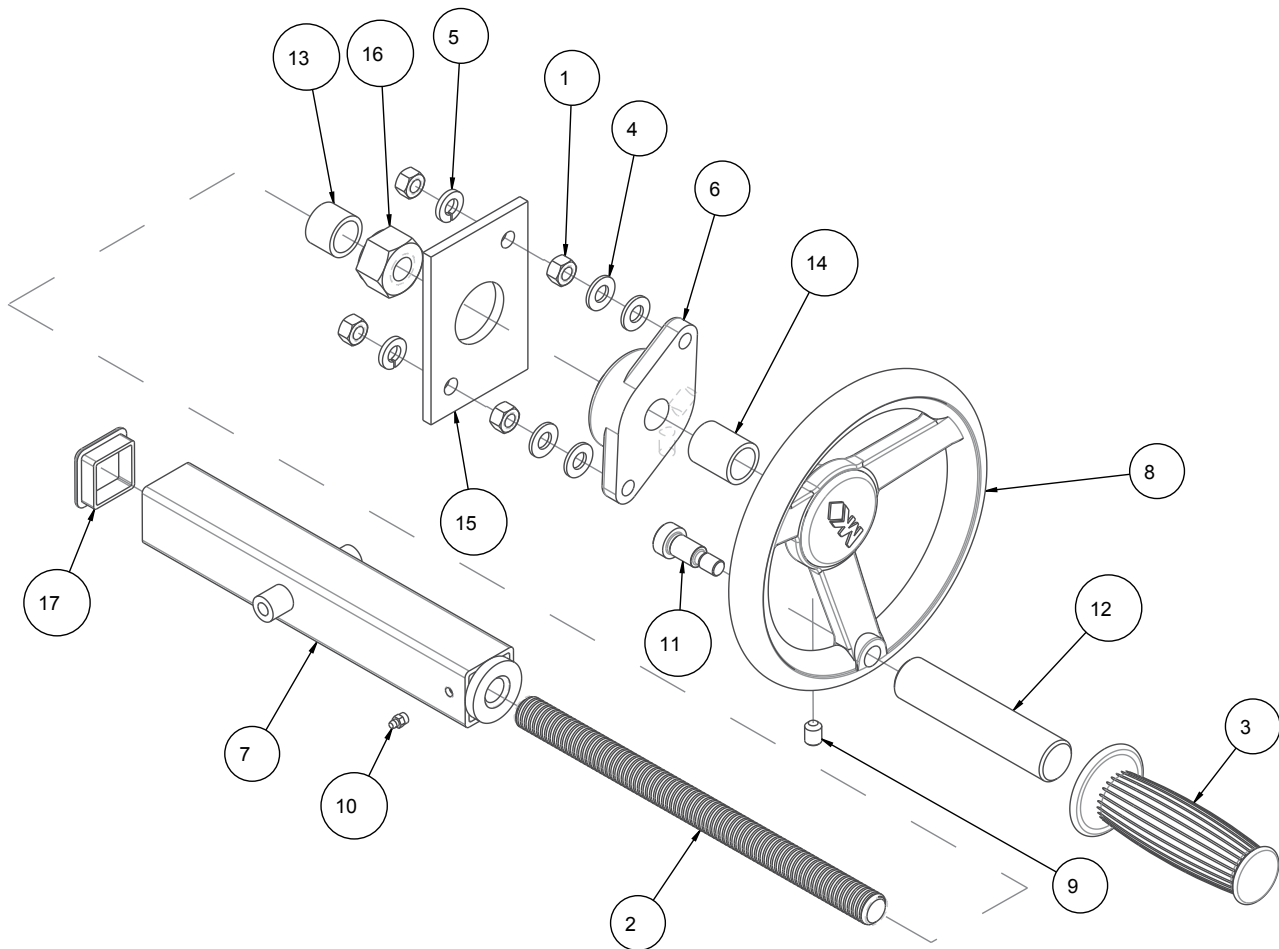
ITEM	DESCRIPTION	PART #	QTY
50	CRANK, BELL	157426	1
51	WASHER, SQR, 7/16 X 1-1/4 X 3/16	157567	5
52	ARM, REAR CONNECTION	158563	1
53	LINK ROD, BLADE GUARD	158564	1
54	GRIP, HANDLE 7/8ID	158608	1
55	CASTING BKD GRD 20" COMP	159674	1
56	CSTG, 5000 OUTER BELT GRD-COMP	159954	1
57	GUARD, SPLASH	160310	1
58	PULLEY, 16J31 X 1-1/8 BORE	160412	1
59	MTR, 9HP 230/460V 3PH 60HZ	160503	1
60	PUMP, 3000 GPH, 115V 60HZ	160503	1
61	ROD, SPLASH CURTAIN	160711	1
62	ELEMENT, HEATER 25.6=27A 3/SET	160722	1
63	CURTAIN, SPLASH, MK-5000	160764	1
64	WAHER, FLAT, PLAS, .75X1.25X.080	160827	2
65	PULLEY, 16J31 X 1.0 BORE	161135	1
66	ASSY, SWITCH, 3-PHASE	162470	1
67	CASTING, INNER BLT GRD-COMP	162516	1
68	ASSY, CUTTING HEAD, HD	162546	1
69	ASSY, WARN LBL, MSNRY, ELE WET	166011-EW	1
70	ASSY, HD ARBOR	170951	1

FIGURE 2 - MK-5000 ASSY, BLOCK SAW ELEVATOR ARM DETAIL P/N 154629



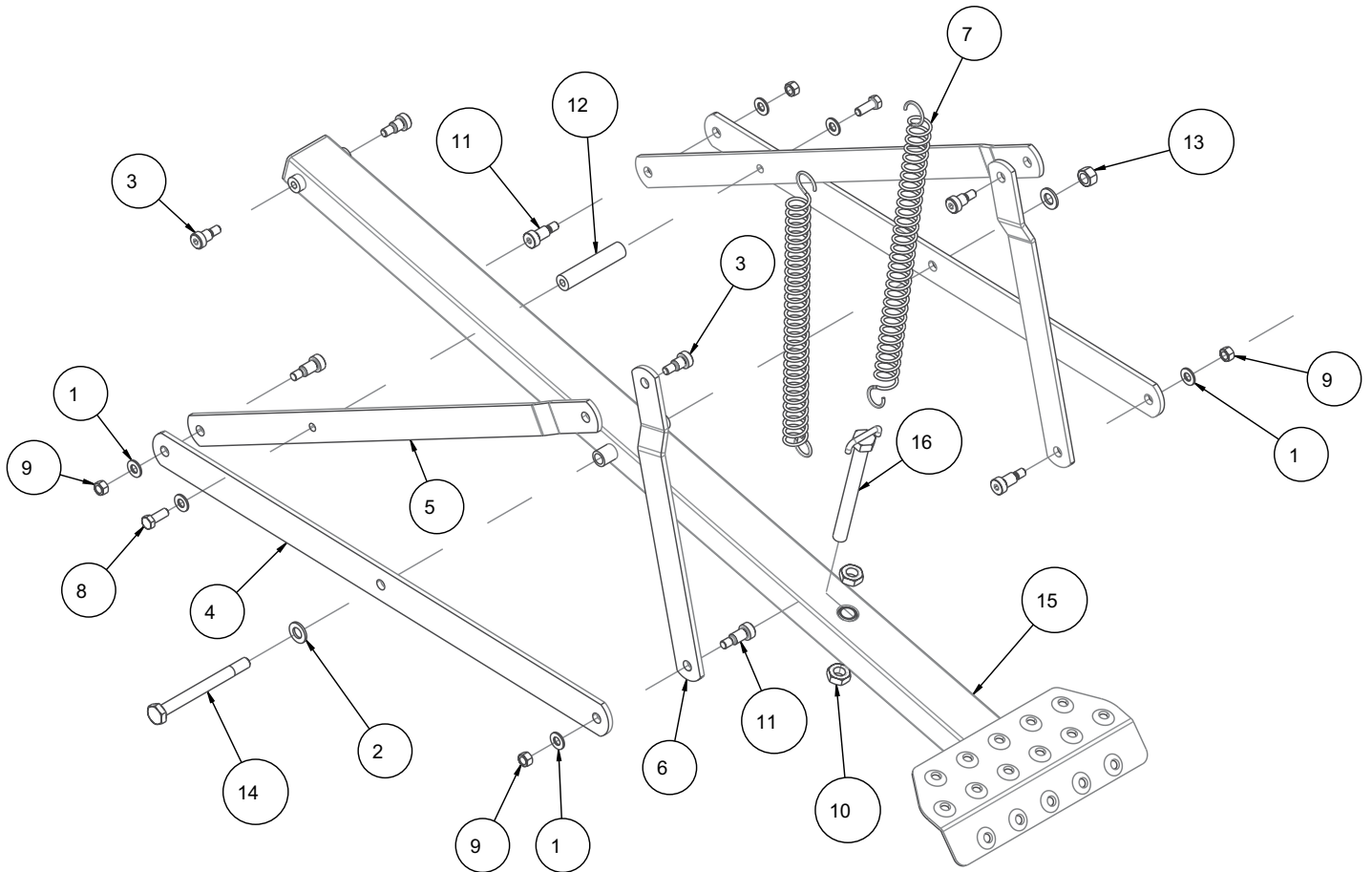
ITEM	DESCRIPTION	PART #	QTY
1	SCREW, HEX, 3/8 - 16 X 3/4	153527	2
2	FITTING, 1/4 - 28 GREASE	153852	1
3	BEARING, 1 X 1-1/4 X 2 MSI MK-5000	154571	2
4	WELDMENT, FRAME	155541	1
5	PIVOT SHAFT, ELEV. ARM	155880	1
6	WELDMENT, ELEVATION ARM MK5000	156285	1
7	WASHER, FENDER, 3/8 ID X 1-1/2 OD	158523	2

FIGURE 3 - MK-5000 ASSY, BLOCK SAW DEPTH CONTROL DETAIL P/N 154629



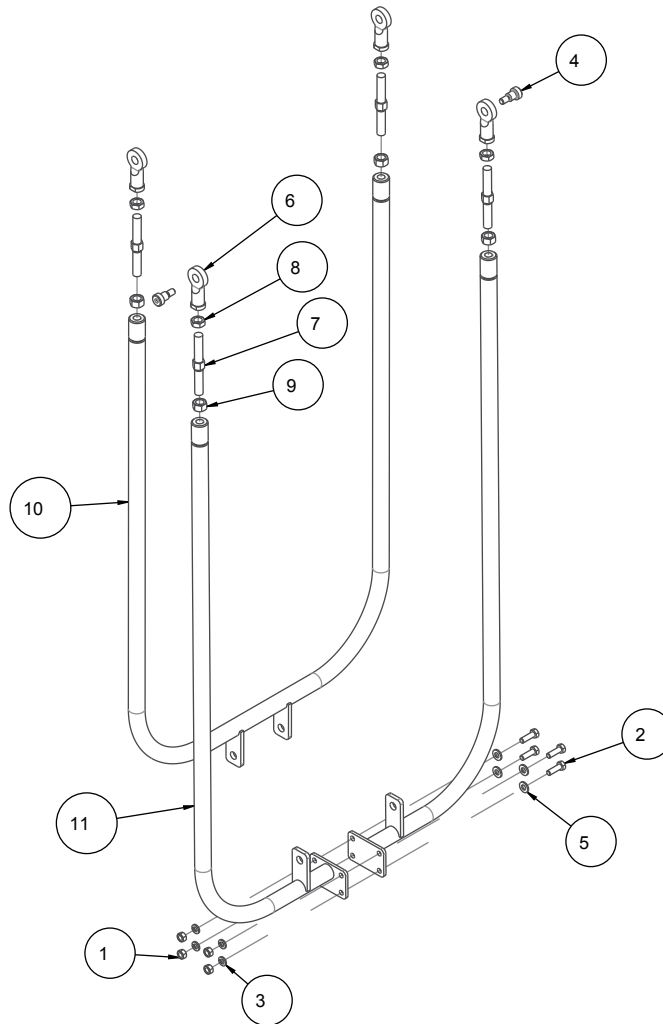
ITEM	DESCRIPTION	PART #	QTY
1	NUT, HEX, 3/8 - 16	101188	4
2	SHAFT, DEPTH FEED SCREW	150840	1
3	GRIP, HANDLE, 1.0 ID	150842	1
4	WASHER, FLAT, SAE, 3/8	150923	4
5	WASHER, LOCK, SPLIT, 3/8	150925	2
6	BEARING, 3/4 ID FLANGE (COMP)	152025	1
7	ADJ SHAFT TUBE	152116	1
8	CRANK WHEEL, 3/4-6-PLASTIC COMP	153646	1
9	SCREW, SET, SOC, CUPT, 3/8-16 X 1/2	153710	1
10	FITTING, 1/4-28 GREASE	153852	1
11	SCREW, SHLDR, SOC HD, 1/2 X 3/4	156177	1
12	HANDLE, CRANK WHEEL	156236	1
13	SPACER, ADJ. SHAFT	156249	1
14	SPACER, DEPTH FEED WHEEL	156250	1
15	SUPPORT PLATE, BEARING	156278	1
16	NUT, ACME, STANDARD 3/4-6	158227	1
17	PLUG, SQUARE, 1- 1/2-10-14	161165	1

FIGURE 4 - MK-5000 ASSY, BLOCK SAW FOOTPEDAL DETAIL P/N 154629



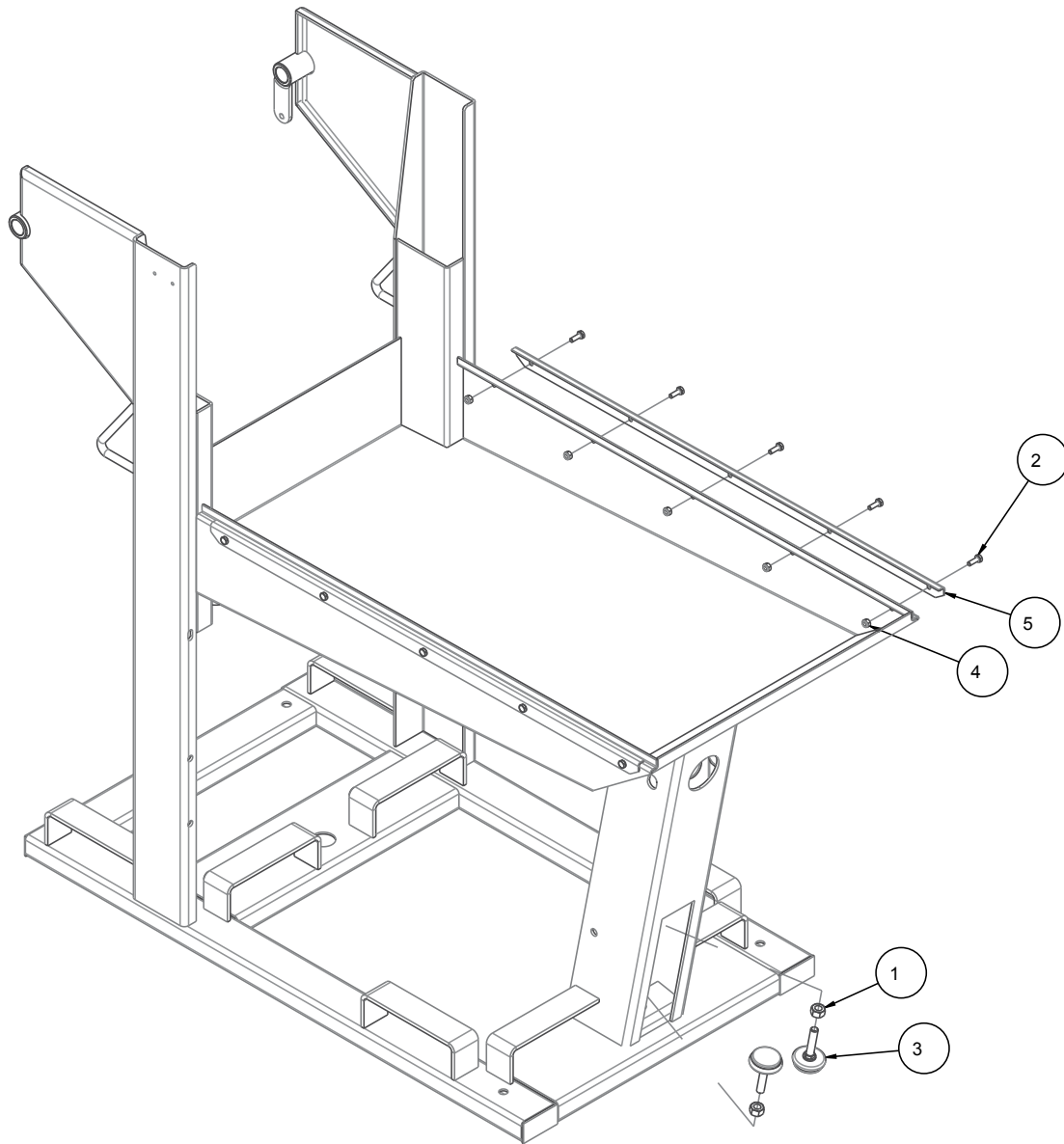
ITEM	DESCRIPTION	PART #	QTY
1	WASHER, FLAT, SAE, 3/8	150923	6
2	WASHER, 1/2 SAE FLAT	150924	2
3	SCREW, SHOULDER, 1/2 X 1/2	151753	4
4	LINKAGE, PEDAL HORIZONTAL	152112	2
5	LINKAGE, PEDAL DIAGONAL	152113	2
6	LINKAGE, PEDAL VERTICAL	152114	2
7	SPRING, FOOT PEDAL MK5000	152115	2
8	SCREW, HEX HD CAP, 3/8-16 X 1	152507	2
9	NUT, 3/8-16 HEX CENTERLOCK	153522	4
10	NUT, HEX JAM 5/8-11 UNC	155603	2
11	SCREW, SHLDR, SOC HD, 1/2 X 3/4	156177	4
12	PEDAL, SHAFT TIE	156259	1
13	NUT, 1/2-13 CENTERLOCK HEX	156279	1
14	SCREW, HEX HD CAP 1/2-13 X 5-1/2	158526	1
15	PEDAL, FOOT & BAR	160139	1
16	HOOK BOLT, WELDMENT, ASSY	160141	1

FIGURE 5 - MK-5000 ASSY, BLOCK SAW LINKS DETAIL P/N 154629



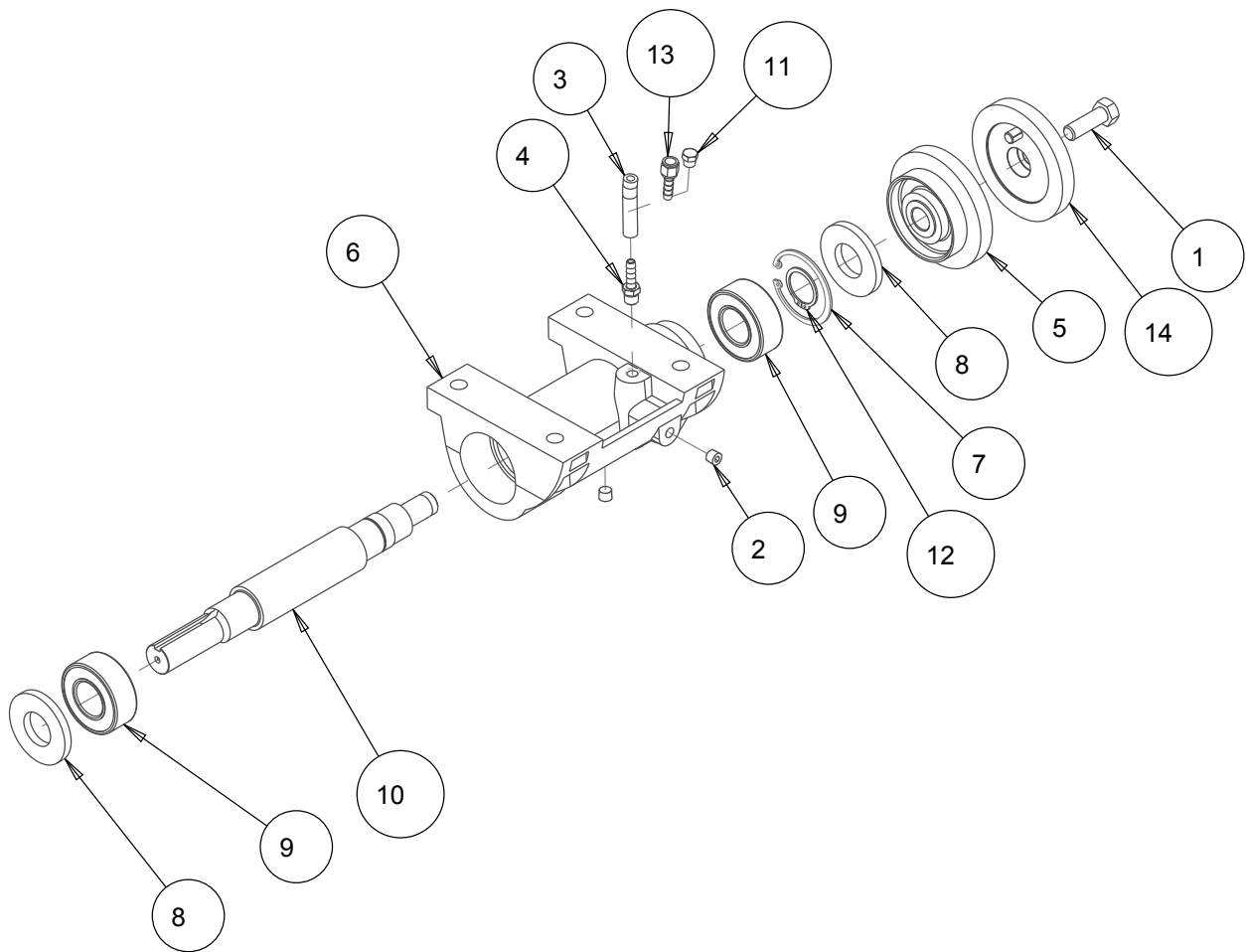
ITEM	DESCRIPTION	PART #	QTY
1	NUT, HEX, 5/16-18	101196	4
2	SCREW, HEX HD, 5/16-18X1	151743	4
3	WASHER, LOCK, SPLIT, 5/16	151747	4
4	SCREW, SHOULDER, 1/2 X 1/2	151753	2
5	WASHER, FLAT, SAE, 5/16	151754	4
6	JOINT, SPHERICAL FEM. 1/2-20RH	154387	4
7	SCREW, ADJUSTMENT	154433	4
8	NUT, JAM, 1/2-20	154460	4
9	JAM NUT 1/2-20 (LH)	154461	4
10	LINK, REAR CONNECTING	156252	1
11	LINK, FRONT CONNECTING	156253	2

FIGURE 6 - MK-5000 ASSY, BLOCK SAW FRAME RAILS DETAIL P/N 154629



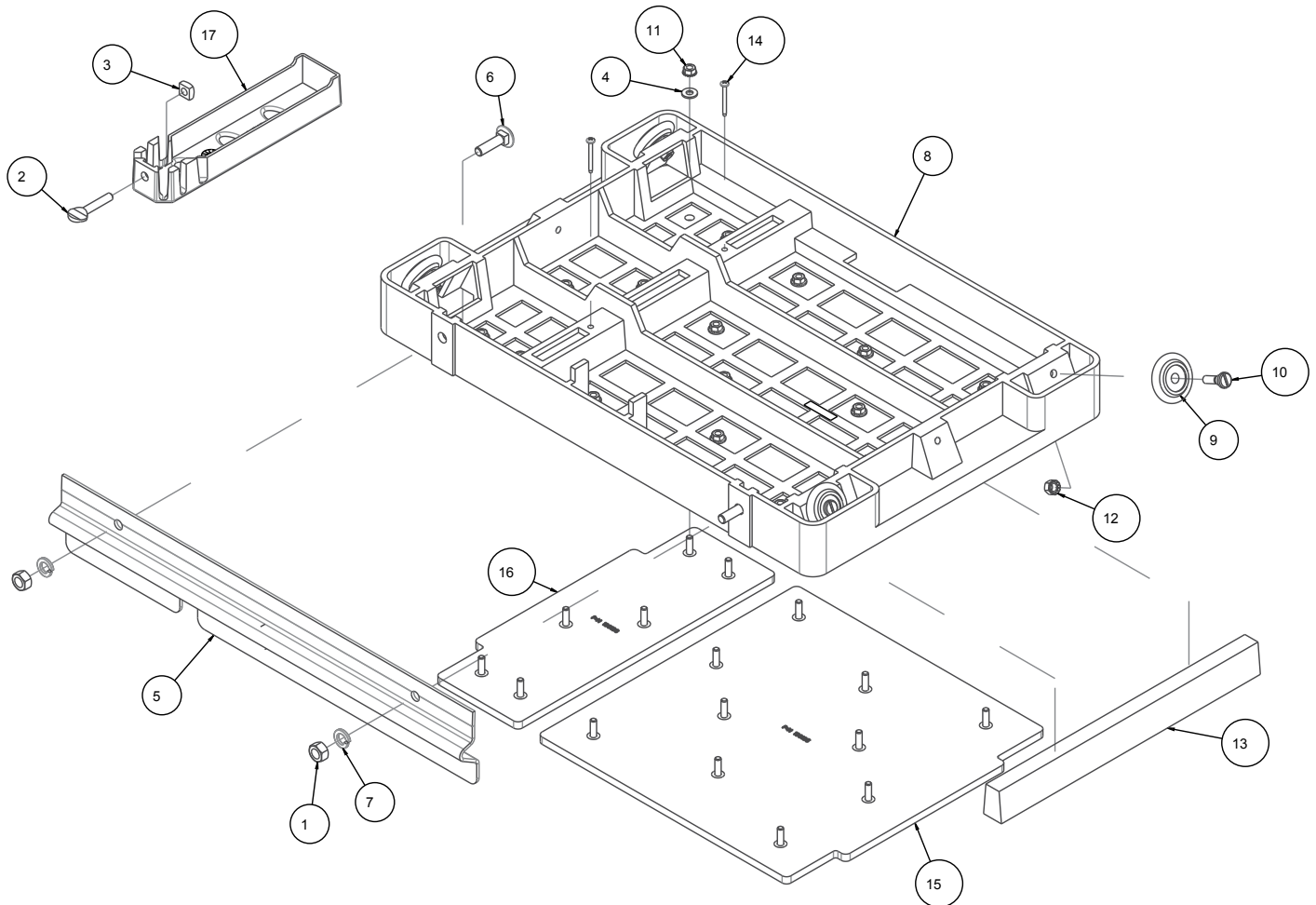
ITEM	DESCRIPTION	PART #	QTY
1	NUT, HEX, 1/2-13	151282	2
2	SCREW, HEX HD, 1/4-20 X 3/4	152370	10
3	BUMPER, 1-1/2 DIA. X 1/2 -13 X 3 STUD	158605	2
4	NUT, HEX, NYLK, 1/4 -20	159857	10
5	LINER, RAIL	166934	2

FIGURE 7 - MK-5000 ASSY, HD ARBOR P/N 170951



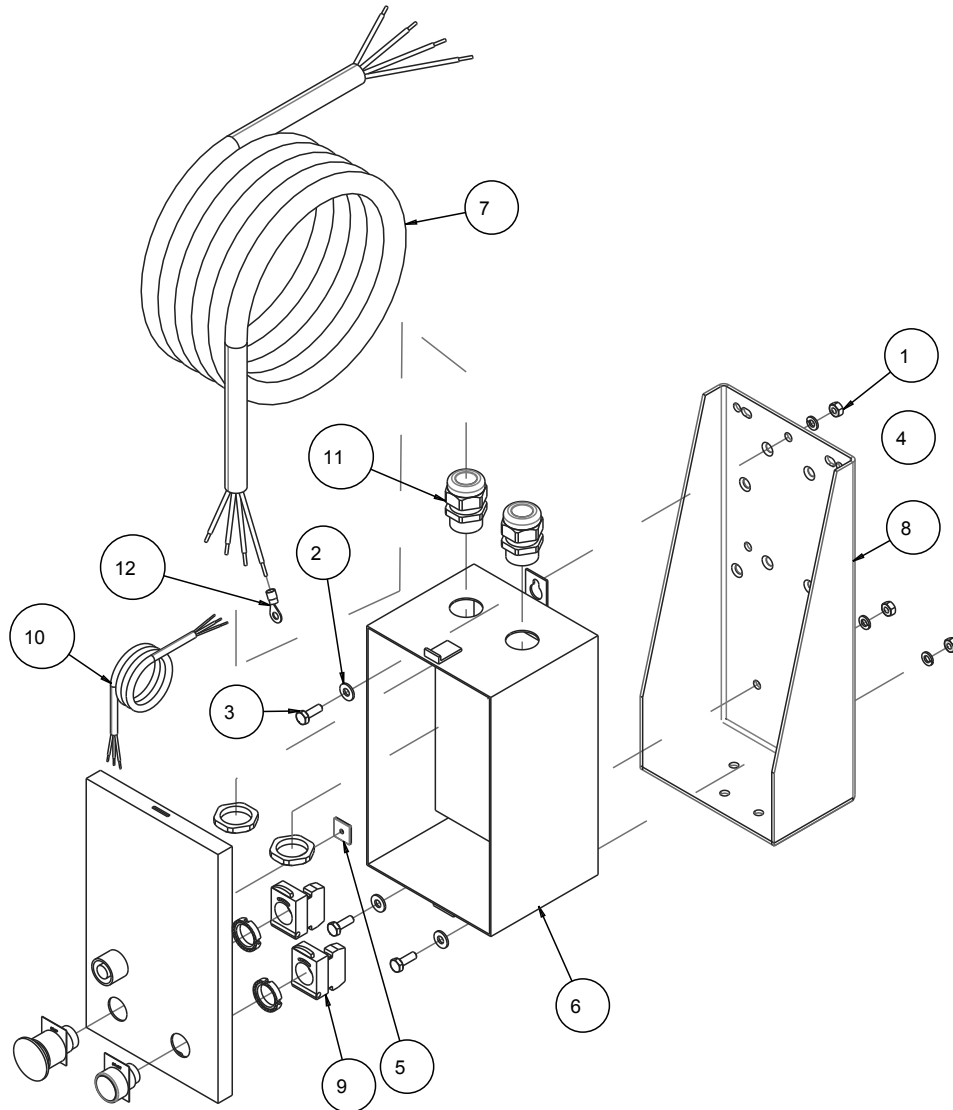
ITEM	DESCRIPTION	PART #	QTY
1	SCREW, HEX HD 1/2-20X1-1/4	152122	1
2	PLUG, 1/8NPT HEX SOCKET	152472	2
3	HOSE, 1/4 FUEL, 6"	154163	1
4	FITTING, 1/8 MNPT X 1/4 BARB	155809	1
5	FLANGE, INNER, MASONRY, 4"	161305	1
6	CASTING, SHAFT HOUSING - COMP	170944	1
7	RING, RET, INT, 65MM	170945	1
8	SEAL, OIL, 30MM X 62MM X 7MM	170946	2
9	BEARING, 30X62X23.8, D-ROW BALL	170947	2
10	SHAFT, HD ARBOR	170948	1
11	BREATHER, 1/8 FNPT	170949	1
12	RING, RET, EXT, 30MM	170950	1
13	FITTING, 1/8 FNPT X 1/4 BARB	171019	1
14	ASSY, FLANGE, OUTER, 4" MASONRY	171252	1

FIGURE 8 - MK-5000 ASSY, TABLE P/N 152124



ITEM	DESCRIPTION	PART #	QTY
1	NUT, HEX 7/16-14	150922	2
2	SCREW, THUMB 5/16-18X1-1/2	151155	1
3	NUT, SQUARE 5/16-18	151156	1
4	WASHER, FLAT, SAE, 1/4	151915	16
5	RULE, FRONT, STOP	152126	1
6	BOLT, CARR. 7/16 - 14 X 1-1/4	152423	2
7	WASHER, LOCK, SPLIT 7/16	152424	2
8	CASTING, 5000, TABLE INSERT	152455	1
9	WHEEL, ROLLER MK5000, MK1080	152493	4
10	STUD, ROLLER WHEEL	152494	4
11	NUT, HEX, TW, 1/4-20	153941	16
12	NUT, HEX, TW, 5/16-18	153942	4
13	WOOD STRIP, TABLE INSERT	157748	1
14	SCREW, #8 X 1-1/2 FLAT HD PHIL	158157	2
15	MAT, MK-5000 TABLE-LG	160165	1
16	MAT, MK-5000 TABLE-SM	160166	1
17	CASTING, SQUARING ARM-COMP	231276	1

FIGURE 9 - MK-5000 ASSY, SWITCH, 3-PHASE P/N 162470



ITEM	DESCRIPTION	PART #	QTY
1	NUT, HEX, 1/4-20	151893	3
2	WASHER, FLAT, SAE, 1/4	151915	3
3	SCREW, HEX HD, 1/4-20 X 3/4	152370	3
4	WASHER, LOCK, SPLIT, 1/4	152591	3
5	PLATFORM, CABLE TIE-BLACK	156130	1
6	STARTER, NEMA 1, MK5000	156199	1
7	CORD, ELEC. SOWA 10/4 YELLOW 10 FT	156215	1
8	BRACKET, SWITCH MTG	156492	1
9	ASSY, PUSH BUTTON MK-5000 3PH	156528	1
10	CORD, ELEC, 16/3 CMR, GRAY, 1'	157159	1
11	CONNECTOR, CORD, LTF21	160675	2
12	TERMINAL, 12-10 X 1/4 RING PI	162471	1

FIGURE 10 - MK-5009T WIRING DIAGRAM P/N 162470

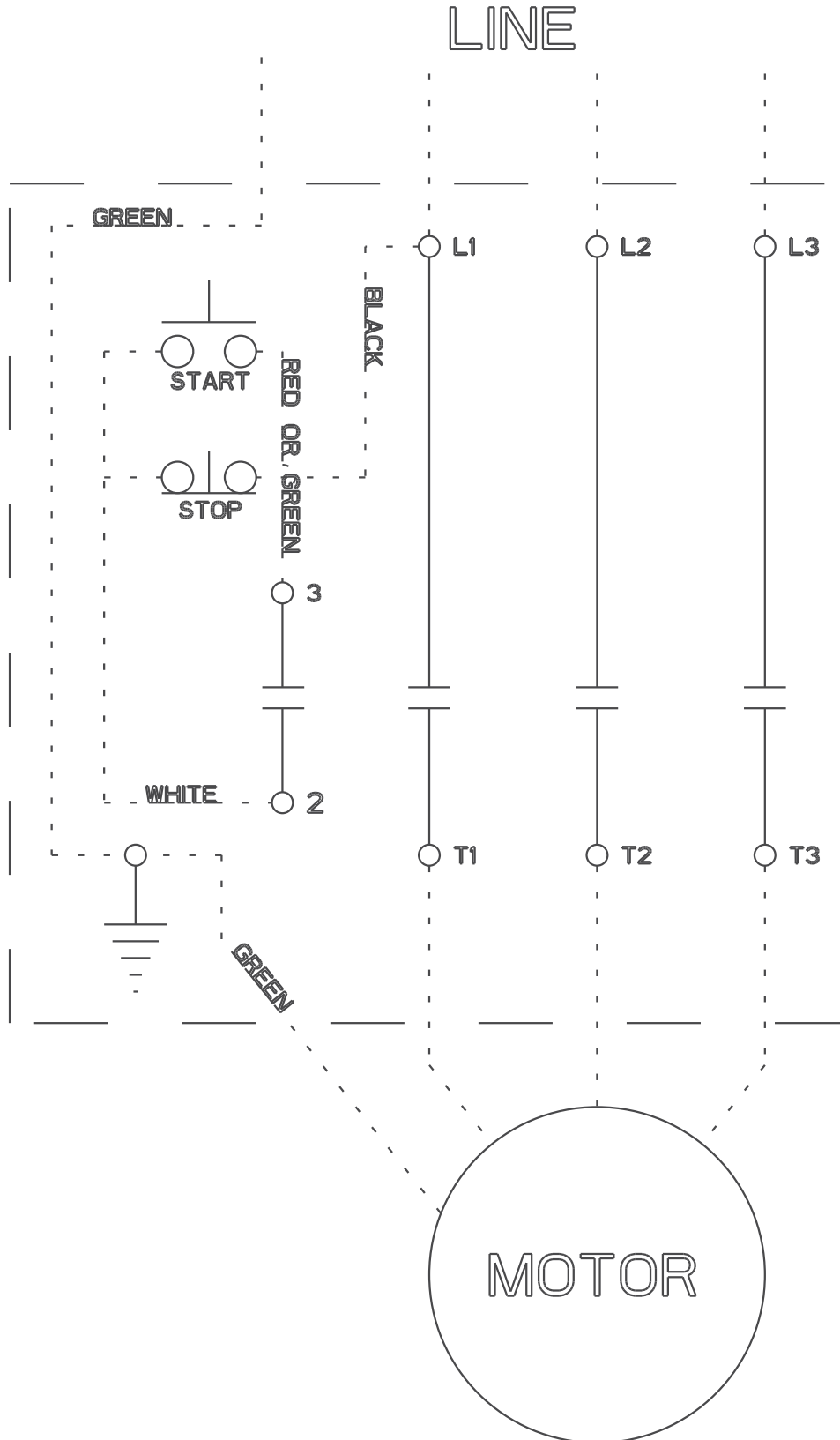
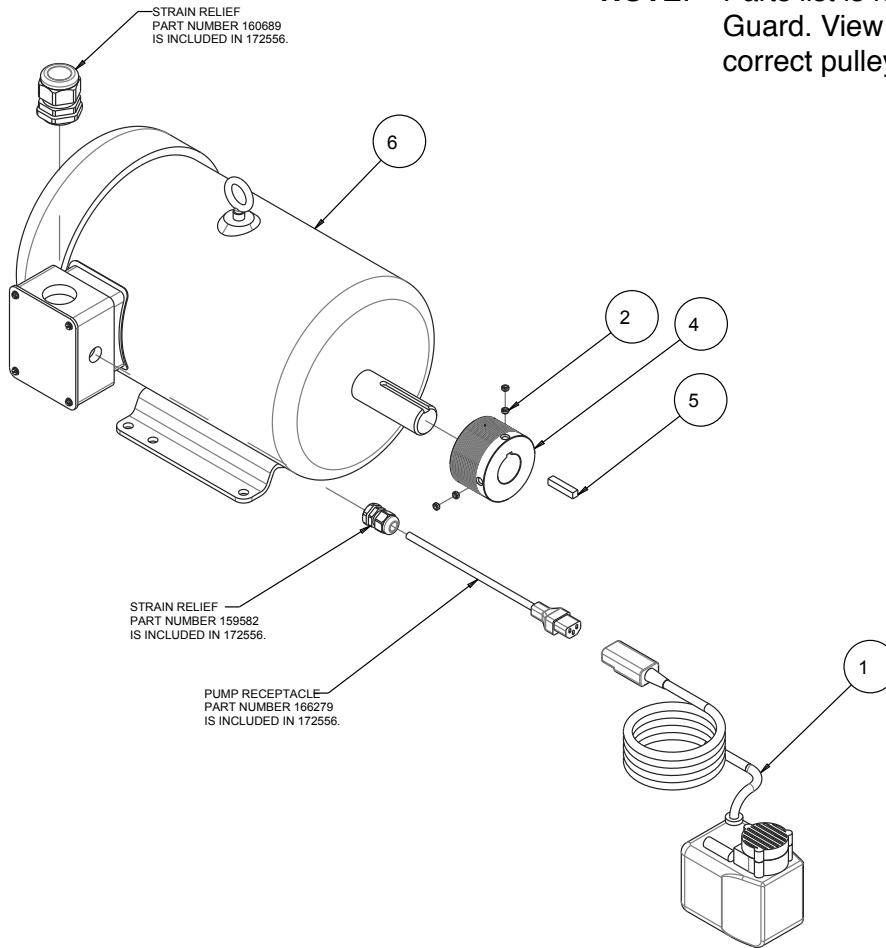


FIGURE 11 - MK-5000 KIT, RETROFIT, 9HP TO 10HP MOTOR PARENT P/N 172565

NOTE: Parts list is for 230V 20" Blade Guard. View table below for correct pulley and heater substitution.



P/N	DESCRIPTION	BLADE GUARD SIZE	MOTOR VOLTAGE	PULLEY SUBSTITUTION	HEATER ELEMENT SUBSTITUTION
172565-20-230	KIT, RETROFIT, 9HP TO 10HP MTR, 14/20" 230V	14/20"	230	165796	160722
172565-20-460	KIT, RETROFIT, 9HP TO 10HP MTR, 14/20" 460V		460		156207
172565-24-230	KIT, RETROFIT, 9HP TO 10HP MTR, 24" 230V	24"	230	165795	160722
172565-24-460	KIT, RETROFIT, 9HP TO 10HP MTR, 24" 460V		460		156207

ITEM	DESCRIPTION	PART #	QTY
1	ASSY, PUMP, 300GPH 230V 50HZ/60HZ	114769-MK	1
2	SCREW, SET, CUP PT, 5/16-18X3/16	151167	4
3	ELEMENT, HEATER 18.8-21.2A 3/SET	156208	1
4	PULLEY, 16J31 X 1-3/8 BORE	165796	1
5	KEY, 5/16 SQR X 1-1/2	167581	1
6	MTR, 7.5PH 230/460V 3PH 1725RPM, EFM3710-COMP	172559	1