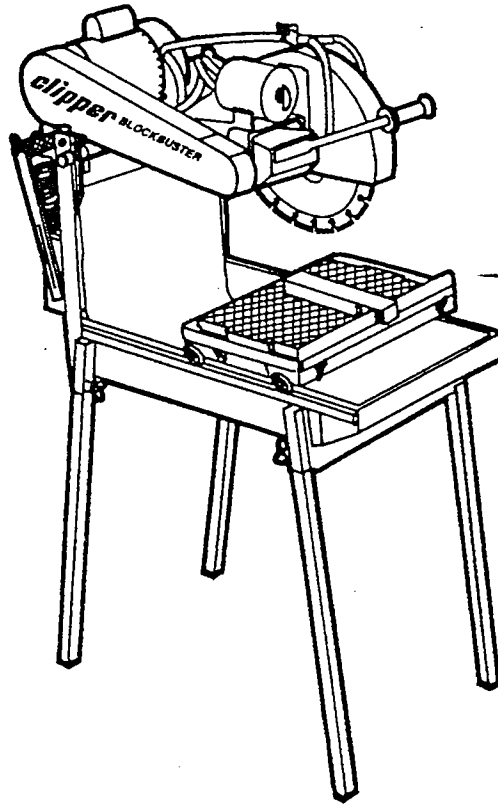


OWNERS MANUAL



COMPACT MASONRY SAW

MODELS

century motors

little pump:
214169

reset switch:

BBC155-70184655290
BBC205-70184676467

BBC 155SY

BBC 205SY

BBC 545G

conveyor cart-
213612
use: 83754

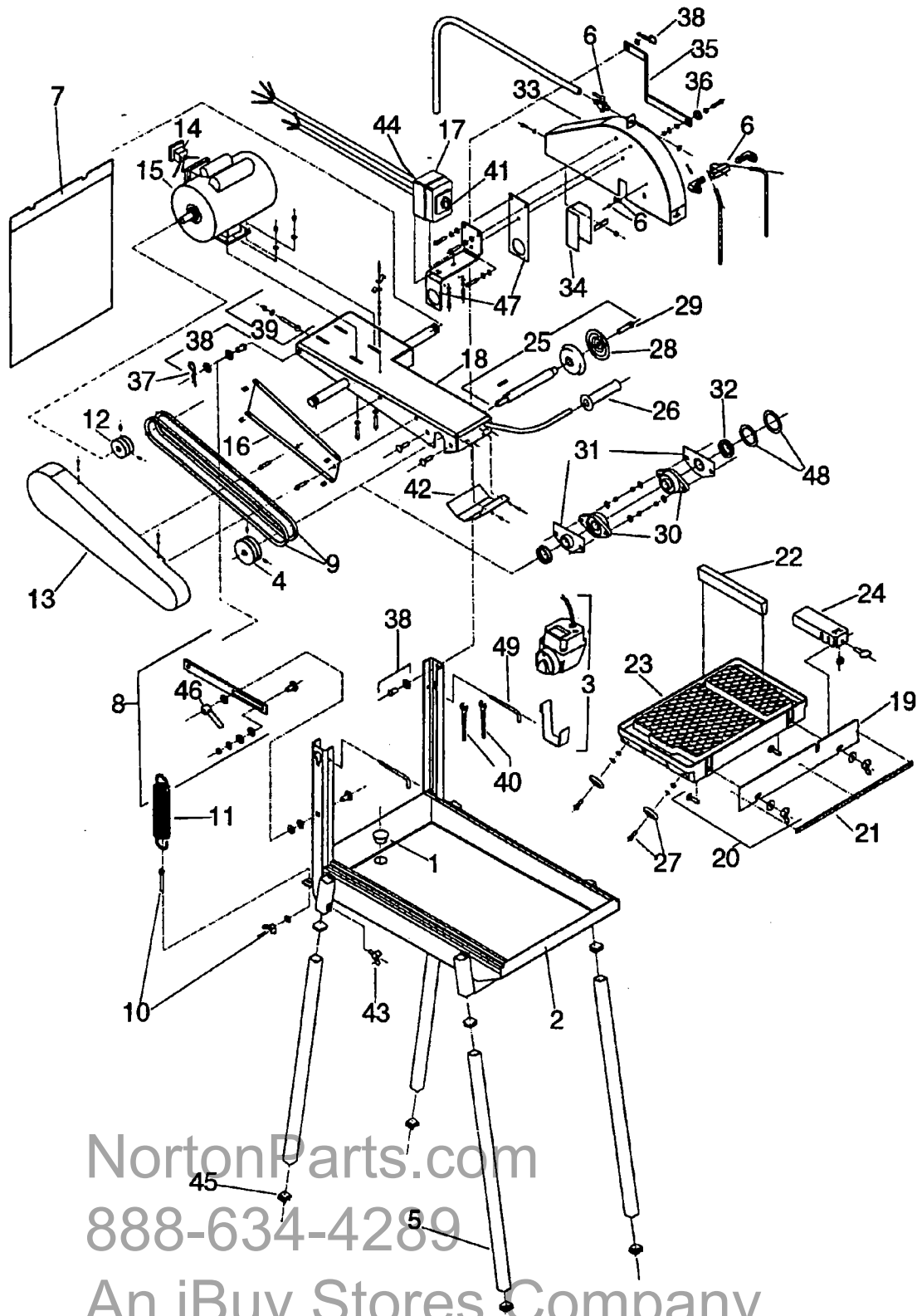
water pump
complete
72305

NortonParts.com
888-634-4289
An iBuy Stores Company

clipper

FORM 4637 10/95

BBC155/205-YMC153/203



NortonParts.com
888-634-4289
An iBuy Stores Company

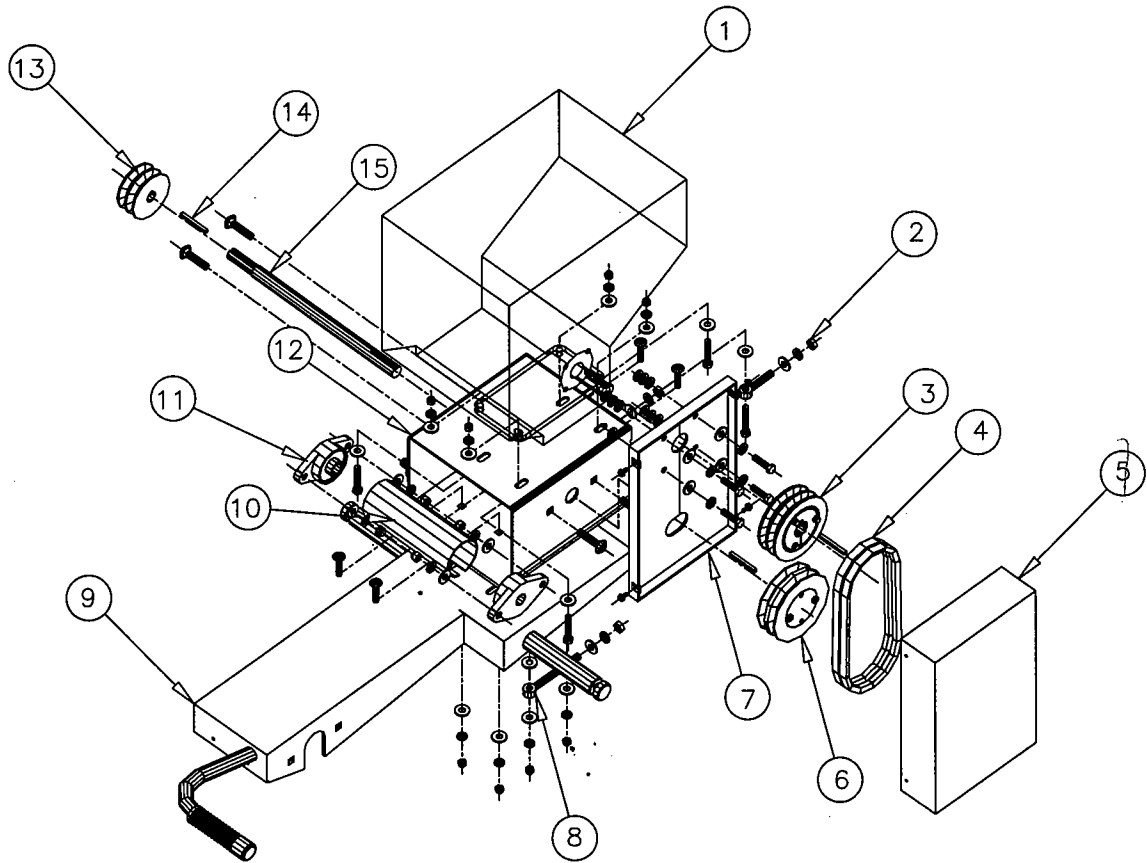
BBC155/205-YMC153/203 Parts List

Item	Part Description	Part Number
1	Drain Plug	213622
2.	Frame Weldment	214101C
3.	Water Pump Assembly	216138
	Screen For Water Pump	216641
	Hood For Water Pump	216642
4.	Pulley, Blade Shaft	213624
5.	Leg Kit (4)	214136
6.	Water Distribution Assembly	214126
7.	Water Curtain Assembly	219038 214018
8.	Lock Bar Assembly, Cutting Head	OBS 214150
9.	V-Belts Matched (Set of 2)	106230
10.	Tension Kit	214160
11.	Spring	72467
12.	Pulley, Motor 2.250" OD, .625 B 2G	OBS 215401
13.	Belt Guard Assembly	214123C
14.	Receptacle, Water Pump 115 Volt	216579
15A.	Motor 1.5 HP, 115/230 Volt, 60 Hz, 1 PH	B50423
15B.	Motor 2.0 HP, 115/230 Volt, 60 Hz, 1 PH	B50422
16.	Bracket, Belt Guard	214140C
17.	Switch Assembly SEE ITEM # 219060 SWITCH BOX (NO WIRING)	214150 OBS
18.	Cutting Head Weldment	OBS 214153C
19.	Back Stop, Conveyor Cart	213615
20.	Hardware Kit, Back Stop (2)	216293
21.	Scale Adhesive Decal	213620
22.	Wood Strip, Conveyor Cart	213613
23.	Conveyor Cart Assembly	213612
24.	Guide-A-Cut Assembly	83892 216120
25.	Blade Shaft Replacement Kit	76035 214128
26.	Rubber Handle Grip (1)	213633
27.	Conveyor Cart Heave Assembly (4) Wheels Only Conveyor Cart (1) (Pulley Conv Cart BBL/L/H each)	213644 213621
28.	Loose Collar	214120B
29	SCREW LOOSE COLLAR 1/2"	8042096
30	BEARINGS BLADE SHAFT (2)	214139
31	SUPPORT BLADE SHAFT BEARINGS	214129C
32	BUSHINGS BEARING NYLON (2)	214112 214122
33.	Blade Guard Weldment	214142C
34.	Splash Guard	214130
35.	Stay Level Arm	214105C
36.	Cam Kit, Stay Level Arm	214132
37.	Split Pin	213636
38.	Pin Kit	214131
39	Eye Bolt Assembly, Motor Adjustment	214127
40A.	Wrench, Blade Shaft Bolt 3/4"	213643
40B.	Wrench, Blade Shaft Lock 7/8"	214124
41.	Knob, Switch	213152
42.	Protection Plate, Bearing	214138C
43.	Plastic Knob (1)	109863
44.	Cable Outlet	214023
45.	Plastic End Cap (1)	213637
46.	Handle Kit	214134
47.	Leveling Support	214143C
48.	Distance Bush, Cutting Head	214111B
49.	Lock Pin, Cutting Head	210097
-NA-	Switch And Switch Box Only (No Wiring)	219060
-NA-	Switch Stop (Switch Knob Blocking Thumb Screw)	216315

An iBuy Stores Company
PROTECTOR OVERLOAD/THERMAL RESET
START CAPACITOR B50422 2 HP

213097
B50422C

BBC545G-YMC543G ASSEMBLY DIAGRAM

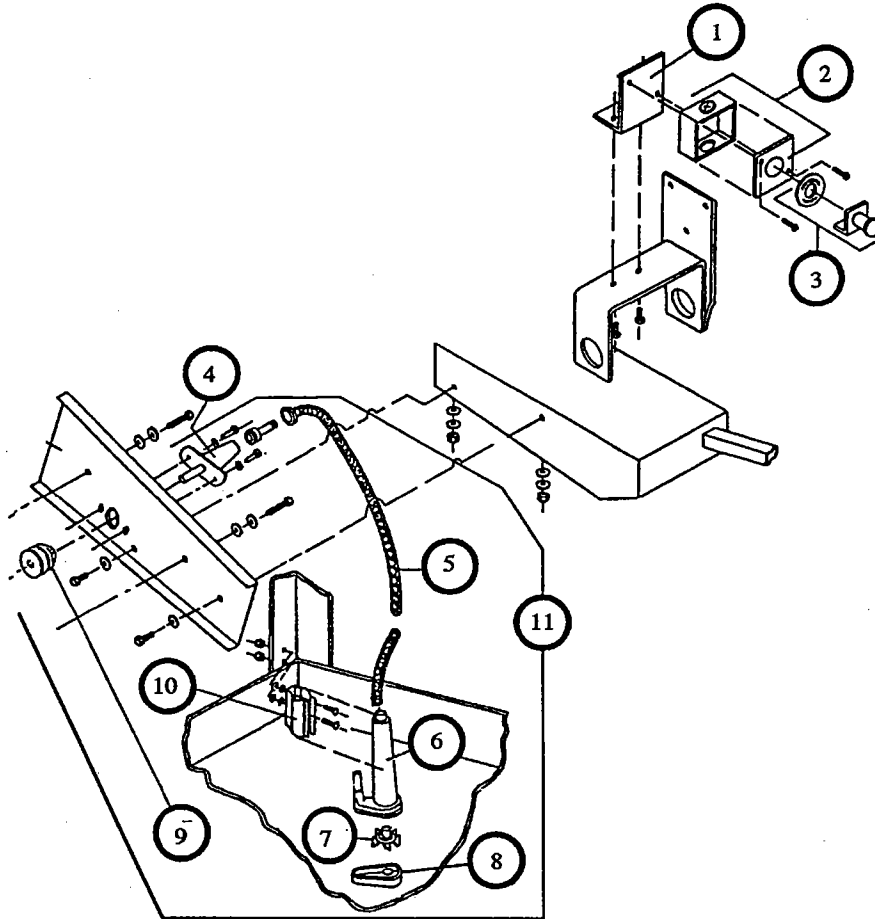


BBC 545G PARTS LIST

ITEM	DESCRIPTION	PART NO.
1	ENGINE, HONDA GX 140 K1 QXC With Cyclone Air Cleaner	216264
2	Eye-Bolt Kit Short Length for Tensioning Jack Shaft Belts	73225
3	Pulley Kit, Engine [3.25" OD, 3/4" Bore, 2 Groove] <i>includes key 9201085</i>	214180
4	Belts, Jack Shaft [Gates 2250 4L250]	214178
5	Cover Belt, with Hardware	214175 214181
6	Pulley Kit, Jack Shaft Input [4.45" OD Taper Lock, 2 Groove]	214182
7	Bracket Kit, Jack Shaft Belt Cover	214183
8	Eye-Bolt Kit Long	76015
9	Switch	213587
10	Cover, Jack Shaft	214211
11	Bearing with Hardware for Jack Shaft	214184
12	Plate Engine Mounting	OBS 214172
13	Pulley Kit, Jack Shaft Output [3.0" OD, 17mm Bore, 2 Groove] <i>includes key 9201085</i>	214185
14	Key Stock [3/16" Square x 2" long]	9201085
15	Jack Shaft	214173
-NA-	Conversion Kit BBC Gas Kit (Jack Shaft Kit No Engine or Switch)	214200

An iBuy Stores Company

BBC545G-YMC543G WATER PUMP ASSEMBLY DIAGRAM



ITEM	DESCRIPTION	PART NO.
1	Bracket, Switch with Hardware	213586
2	Box Kit, Stop Switch	213587
3	Button & Decal, Stop Switch	213576
4	Drive End Complete	72297
5	Shaft Flexible, Water Pump [BBC Only!]	72307
6	Pump Body, Water Pump	72284
7	Impeller, Water Pump	72862
8	Screen, Water Pump	72186
9	Pulley Kit, Water Pump	75270 213592
10	Clamp Kit, Water Pump	76097
11	Water Pump Complete Model LG-910	72305